

# Altech Corp.®

Serving the Automation & Control Industry since 1984



**Mechanical  
Thermostat**



**Panel Light**



**Panel Filters**



## Altech Panel Accessories



# LED Panel Light APL-Series

- Energy efficient LED technology
- Long life
- Magnet or Screw mounting
- Daisy chain (up to 10 lights)
- Maintenance-free
- On/off switch or motion sensor
- Wide Voltage Range (AC or DC)
- Integrated power unit



## Technical Details

|                         |   |
|-------------------------|---|
| Power Consumption       | Max. 5W   |
| Luminosity              | 290Lm at 120° / 870Lm at 360° (equals 75W light bulb)                     |
| LED Type                | Angle of radiation 120°, light color: daylight, color temperature: 8,500k |
| Life Expectancy         | 60,000h at 68°F (20°C)  |
| Connection              | 2-pole connector with snap lock   |
| AC                      | Max. 2.5A / 240VAC, color: white connector                                |
| DC                      | Max. 2.5A / 60VDC, color: blue connector                                  |
| Housing                 | Plastic, transparent  |
| Operating Temperature   | -22° to 140°F (-30°C to 60°C)   |
| Operating Humidity      | Max. 80% RH (non-condensing)  |
| Protection Type / Class | IP20  |

## Attachment Method-Magnet

| Part No.     | Operating Voltage                                | Switch Type   | Weight       |
|--------------|--|---------------|--------------|
| APL-M120ACLS | 100-240VAC, 50/60Hz<br>(min. 90VAC, max. 265VAC) | on/off switch | 7oz (.44lbs) |
| APL-M24DCLS  | 24-48VDC<br>(min. 20VDC, max. 60VDC)             | on/off switch | 7oz (.44lbs) |
| APL-M120ACMS | 100-240VAC, 50/60Hz<br>(min. 90VAC, max. 265VAC) | motion sensor | 7oz (.44lbs) |
| APL-M24DCMS  | 24-48VDC<br>(min. 20VDC, max. 60VDC)             | motion sensor | 7oz (.44lbs) |

## Attachment Method-Screw

| Part No.     | Operating Voltage                                | Switch Type   | Weight       |
|--------------|--|---------------|--------------|
| APL-S120ACLS | 100-240VAC, 50/60Hz<br>(min. 90VAC, max. 265VAC) | on/off switch | 7oz (.44lbs) |
| APL-S24DCLS  | 24-48VDC<br>(min. 20VDC, max. 60VDC)             | on/off switch | 7oz (.44lbs) |
| APL-S120ACMS | 100-240VAC, 50/60Hz<br>(min. 90VAC, max. 265VAC) | motion sensor | 7oz (.44lbs) |
| APL-S24DCMS  | 24-48VDC<br>(min. 20VDC, max. 60VDC)             | motion sensor | 7oz (.44lbs) |





# Panel Filters



- Mounts Quickly and Easily - no mounting hardware required
- Low external Profile
- UV & Heat resisting Housing material
- Black or Grey Housing Color
- Filtering Class: G3 according to EN779
- Filtration Efficiency: 85% (DIN24185)
- Filter Mat included



## Exhaust Grills

| Part No.<br>Grey (RAL7035) | Part No.<br>Black (RAL9005) | Dust Retention<br>Capacity | Cutout<br>Dimensions | Outer<br>Dimensions |
|----------------------------|-----------------------------|----------------------------|----------------------|---------------------|
| AEG-1000G                  | AEG-1000B                   | 1.96oz/ft <sup>2</sup>     | 3.62"x3.62"          | 4.2"x4.2"x0.9"      |
| AEG-2000G                  | AEG-2000B                   | 1.96oz/ft <sup>2</sup>     | 4.92"x4.92"          | 5.9"x5.9"x1.1"      |
| AEG-3000G                  | AEG-3000B                   | 1.96oz/ft <sup>2</sup>     | 6.97"x6.97"          | 8.0"x8.0"x1.2"      |
| AEG-4000G                  | AEG-4000B                   | 1.96oz/ft <sup>2</sup>     | 8.78"x8.78"          | 9.8"x9.8"x1.3"      |
| AEG-5000G                  | AEG-5000B                   | 1.96oz/ft <sup>2</sup>     | 11.46"x11.46"        | 12.8"x12.8"x1.3"    |

## Filter Fans | 115VAC\*

| Part No.<br>Grey (RAL7035) | Part No.<br>Black (RAL7035) | Rated<br>Voltage | Rated Current<br>@ 50/60Hz | Power Usage<br>@ 50/ 60Hz | Max.<br>Airflow | Fan<br>Noise | Static<br>Pressure     | Cutout<br>Dimensions |
|----------------------------|-----------------------------|------------------|----------------------------|---------------------------|-----------------|--------------|------------------------|----------------------|
| AFF-1010G-120VAC           | AFF-1010B-120VAC            | 115VAC           | 0.11/ 0.09A                | 9/ 7W                     | 7/ 9CFM         | 33dB(A)      | 0.13inH <sub>2</sub> O | 3.62"x3.62"          |
| AFF-1020G-120VAC           | AFF-1020B-120VAC            | 115VAC           | 0.15/ 0.13A                | 12/ 10W                   | 13/ 15CFM       | 42dB(A)      | 0.23inH <sub>2</sub> O | 3.62"x3.62"          |
| AFF-2010G-120VAC           | AFF-2010B-120VAC            | 115VAC           | 0.20/ 0.18A                | 16/ 15W                   | 26/ 29CFM       | 49dB(A)      | 0.33inH <sub>2</sub> O | 4.92"x4.92"          |
| AFF-2020G-120VAC           | AFF-2020B-120VAC            | 115VAC           | 0.25/ 0.22A                | 19/ 17W                   | 39/ 46CFM       | 44dB(A)      | 0.35inH <sub>2</sub> O | 4.92"x4.92"          |
| AFF-3010G-120VAC           | AFF-3010B-120VAC            | 115VAC           | 0.21/ 0.20A                | 19/ 18W                   | 59/ 65CFM       | 49dB(A)      | 0.24inH <sub>2</sub> O | 6.97"x6.97"          |
| AFF-3020G-120VAC           | AFF-3020B-120VAC            | 115VAC           | 0.20/ 0.18A                | 16/ 15W                   | 65/ 76CFM       | 44dB(A)      | 0.40inH <sub>2</sub> O | 6.97"x6.97"          |
| AFF-4010G-120VAC           | AFF-4010B-120VAC            | 115VAC           | 0.21/ 0.21A                | 17/ 16W                   | 62/ 70CFM       | 49dB(A)      | 0.23inH <sub>2</sub> O | 8.78"x8.78"          |
| AFF-4020G-120VAC           | AFF-4020B-120VAC            | 115VAC           | 0.28/ 0.26A                | 31/ 26W                   | 133/ 169CFM     | 55dB(A)      | 0.84inH <sub>2</sub> O | 8.78"x8.78"          |
| AFF-5010G-120VAC           | AFF-5010B-120VAC            | 115VAC           | 0.68/ 0.73A                | 74/ 83W                   | 306/ 359CFM     | 69dB(A)      | 0.78inH <sub>2</sub> O | 11.46"x11.46"        |

\* 230VAC version available, please contact Altech for availability

## Filter Fans | 24VDC

| Part No.<br>Grey (RAL7035) | Part No.<br>Black (RAL7035) | Rated<br>Voltage | Rated<br>Current | Power<br>Usage | Max.<br>Airflow | Fan<br>Noise | Static<br>Pressure     | Cutout<br>Dimensions |
|----------------------------|-----------------------------|------------------|------------------|----------------|-----------------|--------------|------------------------|----------------------|
| AFF-1010G-24VDC            | AFF-1010B-24VDC             | 24VAC            | 0.09A            | 2W             | 9CFM            | 30dB(A)      | 0.11inH <sub>2</sub> O | 3.62"x3.62"          |
| AFF-1020G-24VDC            | AFF-1020B-24VDC             | 24VAC            | 0.61A            | 15W            | 29CFM           | 59dB(A)      | 0.64inH <sub>2</sub> O | 3.62"x3.62"          |
| AFF-2010G-24VDC            | AFF-2010B-24VDC             | 24VAC            | 0.31A            | 7W             | 27CFM           | 42dB(A)      | 0.23inH <sub>2</sub> O | 4.92"x4.92"          |
| AFF-3010G-24VDC            | AFF-3010B-24VDC             | 24VAC            | 0.34A            | 8W             | 60CFM           | 42dB(A)      | 0.24inH <sub>2</sub> O | 6.97"x6.97"          |
| AFF-4010G-24VDC            | AFF-4010B-24VDC             | 24VAC            | 0.32A            | 8W             | 82CFM           | 42dB(A)      | 0.25inH <sub>2</sub> O | 6.97"x6.97"          |
| AFF-4020G-24VDC            | AFF-4020B-24VDC             | 24VAC            | 0.71A            | 17W            | 132CFM          | 58dB(A)      | 0.26inH <sub>2</sub> O | 8.78"x8.78"          |

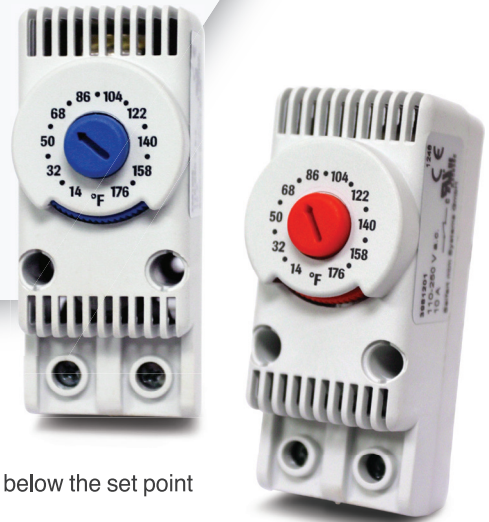


# Mechanical Thermostats

The APT Altech Mechanical Panel Thermostats are designed to control the air temperature inside of enclosures and control panels. They can be used for enclosure heaters, cooling equipment (e.g. filter fans), or signal devices.



- Adjustable Temperature Control
- Wide Adjustment Range
- Color Coded Dial (Red: Heating, Blue: Cooling)
- DIN Rail Mountable



The **Heating version** (red dial, NC) has closed contacts when the temperature is below the set point value and opens with rising temperature.

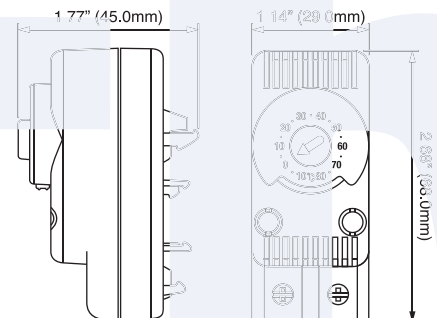
The **Cooling version** (blue dial, NO) has open contacts when the temperature is below the set point value and closes with rising temperature.

## Technical Details

|                             |   |
|-----------------------------|---|
| Rated Voltage               | 110 - 250 VAC   |
| Rated Current               | 10A   |
| Max. Rated Current          | 15A   |
| Hysteresis                  | +/-3K   |
| Differential                | -3°K NC version / +4°K NO version up to 5A / +7°K NC version > 5A |
| Lifetime                    | > 100,000 cycles  |
| Terminal Size Acceptability | 23 - 13 AWG (0.75 - 2.5mm <sup>2</sup> )                          |
| Protection Level            | IP20  |
| Enclosure Material          | PA66, UL94V-0   |
| Weight                      | 1.9oz. (54g)  |

## Mechanical Thermostats

| Part No. | Function | Contact | Temperature Scale | Setting Range |
|----------|----------|---------|-------------------|---------------|
| APT-HNCF | Heating  | NC      | Fahrenheit        | 14 - 176°F    |
| APT-CNOF | Cooling  | NO      | Fahrenheit        | 14 - 176°F    |
| APT-HNCC | Heating  | NC      | Celsius           | -10 - 80°C    |
| APT-CNOC | Cooling  | NO      | Celsius           | -10 - 80°C    |



Thermostat Dimensions

# Lighting Accessories

## Power cable with female connector



| Part No. | Length  | Volt. Type | Color                             |
|----------|---------|------------|-----------------------------------|
| APL-PCAC | 6.5 ft. | AC         | Connector: white;<br>Cable: white |
| APL-PCDC | 6.5 ft. | DC         | Connector: blue;<br>Cable: white  |

## Extension cable with 2 connectors for daisy chain



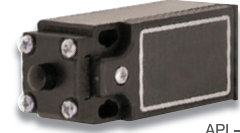
| Part No. | Length  | Volt. Type | Color                             |
|----------|---------|------------|-----------------------------------|
| APL-ECAC | 3.3 ft. | AC         | Connector: white;<br>Cable: white |
| APL-ECDC | 3.3 ft. | DC         | Connector: blue;<br>Cable: white  |

## Female / Male Connectors



| Part No. | Connector Type | Volt. Type | Color |
|----------|----------------|------------|-------|
| APL-FAC  | Female         | AC         | White |
| APL-MAC  | Male           | AC         | White |
| APL-FDC  | Female         | DC         | Blue  |
| APL-MDC  | Male           | DC         | Blue  |

## Door Limit Switch



| Part No. | Contact                           | Voltage Rating |
|----------|-----------------------------------|----------------|
| APL-DS   | NO / NC                           | 24-250 VAC/DC  |
| APL-SL   | Slide limit switch (Bar mounting) |                |

# Filter Fan Accessories

## Replacement Filter Mats



- Made of washable non-woven synthetic fibers
- Can be cleaned up to 10 times by washing or blowing dry
- Black or Grey Housing Color
- NEMA 12 or NEMA 3R Filter Class available
- Sold in kits of 6pcs

| Part No. | Filter Rating | Used with Filter Fan | Used with Exhaust Grill | Dimensions  |
|----------|---------------|----------------------|-------------------------|-------------|
| AFM-1012 | NEMA12        | AFF-10xx             | AEG-1000                | 3.3"x3.3"   |
| AFM-2012 | NEMA12        | AFF-20xx             | AEG-2000                | 4.6"x4.6"   |
| AFM-3012 | NEMA12        | AFF-30xx             | AEG-3000                | 6.6"x6.6"   |
| AFM-4012 | NEMA12        | AFF-40xx             | AEG-4000                | 8.5"x8.5"   |
| AFM-5012 | NEMA12        | AFF-50xx             | AEG-5000                | 11.1"x11.1" |

### Altech Search

- Home
- Stock Check
- Distributors
- Information
- News
- Contact
- Rep/Disti Login
- Altech Mexico

### WEB TOOLS

- Product Crossings
- Request for Quote
- Sample Request
- Catalog Request

### PRODUCT MENU

- Circuit Protection / Control
- Connectors
- Enclosures
- European Spare Parts
- Digital Panel Meters
- Foot Switches
- Interface Modules
- Power Supplies
- Power Semi-Conductors
- Programmable Controllers
- Push Buttons & Pilot Lights
- Relays
- Sensors
- Terminal Blocks
- Tower Lights
- Timers
- Wire & Cable Management
- Home

### New Products and Promotions

## Serving the Automation & Control Industry Since 1984

### Circuit Protection

|  |   |  |   |  |
|--|---|--|---|--|
|  Circuit Protection Devices |  Busbar and Power Distribution |  Contactors, Overload Relays, Manual Motor Starters |  Motor Disconnect Switches |  European Fuses |
|--|---|--|---|--|

### Connectors

|   |  |   |   |   |
|---|--|---|---|---|
|  Industrial Rectangular Connectors |  Pin & Sleeve Devices |  Receptacles |  Foot Switches |  Inductive Proximity Sensors |
|---|--|---|---|---|

### Enclosures

|   |  |   |   |   |
|---|--|---|---|---|
|  Industrial Enclosures |  DIN Enclosures |  Interface Modules |  Safety Relays |  Slimline Relays |
|---|--|---|---|---|

### Modules & Relays

### Power Supplies

|  |   |  |   |
|--|---|--|---|
|  Power Supplies |  22 & 30 mm Push Buttons |  DIN Rail |  Wire & Cable Management |
|--|---|--|---|

### Push Buttons

### DIN Rail

### Wire & Cable Management

### Terminal Blocks

|  |   |   |   |   |
|--|---|---|---|---|
|  Din Rail Terminal Blocks |  Panel Mount Terminal Blocks |  Printed Circuit Board Terminal Blocks |  Eurostrips® |  Distribution Blocks |
|--|---|---|---|---|

### Miscellaneous

|  |   |   |  |  |
|--|---|---|--|--|
|  Ferrules |  Custom Assembly |  Marking & Engraving Systems |  Altech Smart Relay |  Tower Lights |
|--|---|---|--|--|

Altech Corporation  
35 Royal Road  
Flemington, NJ 08822-6000  
P 908.806.9400 • F 908.806.9490  
www.altechcorp.com





Компания «ЭлектроПласт» предлагает заключение долгосрочных отношений при поставках импортных электронных компонентов на взаимовыгодных условиях!

Наши преимущества:

- Оперативные поставки широкого спектра электронных компонентов отечественного и импортного производства напрямую от производителей и с крупнейших мировых складов;
- Поставка более 17-ти миллионов наименований электронных компонентов;
- Поставка сложных, дефицитных, либо снятых с производства позиций;
- Оперативные сроки поставки под заказ (от 5 рабочих дней);
- Экспресс доставка в любую точку России;
- Техническая поддержка проекта, помощь в подборе аналогов, поставка прототипов;
- Система менеджмента качества сертифицирована по Международному стандарту ISO 9001;
- Лицензия ФСБ на осуществление работ с использованием сведений, составляющих государственную тайну;
- Поставка специализированных компонентов (Xilinx, Altera, Analog Devices, Intersil, Interpoint, Microsemi, Aeroflex, Peregrine, Syfer, Eurofarad, Texas Instrument, Miteq, Cobham, E2V, MA-COM, Hittite, Mini-Circuits, General Dynamics и др.);

Помимо этого, одним из направлений компании «ЭлектроПласт» является направление «Источники питания». Мы предлагаем Вам помощь Конструкторского отдела:

- Подбор оптимального решения, техническое обоснование при выборе компонента;
- Подбор аналогов;
- Консультации по применению компонента;
- Поставка образцов и прототипов;
- Техническая поддержка проекта;
- Защита от снятия компонента с производства.



#### Как с нами связаться

**Телефон:** 8 (812) 309 58 32 (многоканальный)

**Факс:** 8 (812) 320-02-42

**Электронная почта:** [org@eplast1.ru](mailto:org@eplast1.ru)

**Адрес:** 198099, г. Санкт-Петербург, ул. Калинина, дом 2, корпус 4, литера А.