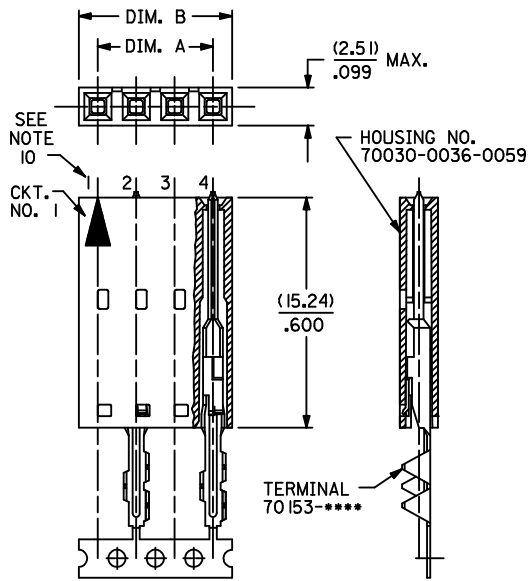
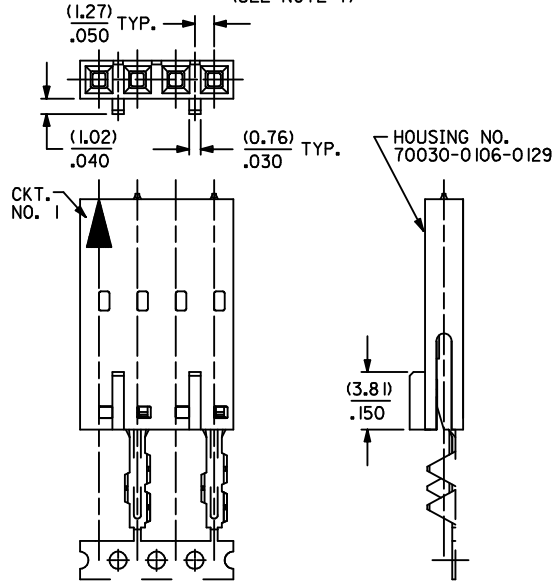


OPTION -A-



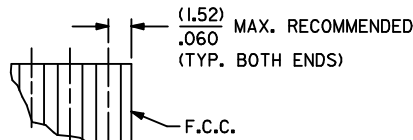
OPTION -D-
(SEE NOTE 7)



CKT. SIZE	A	B
4	(7.62) .300	(10.13) .399
5	(10.16) .400	(12.67) .499
6	(12.70) .500	(15.21) .599
7	(15.24) .600	(17.75) .699
8	(17.78) .700	(20.29) .799
9	(20.32) .800	(22.83) .899
10	(22.86) .900	(25.37) .999
11	(25.40) 1.000	(27.91) 1.099
12	(27.94) 1.100	(30.45) 1.199
13	(30.48) 1.200	(32.99) 1.299
14	(33.02) 1.300	(35.53) 1.399
15	(35.56) 1.400	(38.07) 1.499
16	(38.10) 1.500	(40.61) 1.599
17	(40.64) 1.600	(43.15) 1.699
18	(43.18) 1.700	(45.69) 1.799
19	(45.72) 1.800	(48.23) 1.899
20	(48.26) 1.900	(50.77) 1.999
21	(50.80) 2.000	(53.31) 2.099
22	(53.34) 2.100	(55.85) 2.199
23	(55.88) 2.200	(58.39) 2.299
24	(58.42) 2.300	(60.93) 2.399
25	(60.96) 2.400	(63.47) 2.499

NOTES:

- 1) SEE TABLE FOR CIRCUIT SIZES.
- 2) TERMINALS ARE SHOWN PRE-LOADED INTO HOUSING AND LOCKED INTO FIRST ROW.
- 3) STANDARD PACKAGING PER PK-70873-0001 SHALL BE USED.
- 4) ALL DIMENSIONS ARE FOR REFERENCE ONLY.
- 5) SEE SHEET 2 OF FAMILY DRAWING FOR PART NO'S. AND PLATINGS.
- 6) PRE LOADED ASSEMBLY TO BE USED WITH (0.30)/.012 MAXIMUM THICK FLAT FLEX CABLE WITH (1.57)/.062 WIDE COPPER CONDUCTORS ON (2.54)/.100 CENTERS OR, (0.13)/.005 - (0.28)/.011 THICK MYLAR WITH (1.02)/.040 - (1.65)/.065 WIDE SILVER INK CONDUCTORS ON (2.54)/.100 CENTERS.
- 7) RECOMMENDED F.F.C. CONFIGURATION FOR OPTION "D" ONLY; WHEN USED WITH INTERIM CLIPS, SEE DETAIL 1.
- 8) SEE SHEET 2 FOR CORE-OUT CONFIGURATION.
- 9) REFER TO PRODUCT SPECIFICATION NO.: PS-70430.
- 10) NUMBERS DO NOT APPEAR ON ASSEMBLIES.



DETAIL - 1
(SEE NOTE 7)

UPDATE NOTES EC NO: UCP2013-1408 DRWNG: IBARRA 2012/10/10 CHKD: DMORGAN 2012/10/10 APPR: SMILLER 2012/10/25	QUALITY SYMBOLS ▽=0 ▽=0 ▽=0	GENERAL TOLERANCES (UNLESS SPECIFIED)		DIMENSION STYLE MM/IN		SCALE 1:1	DESIGN UNITS INCH	THIRD ANGLE PROJECTION		
		4 PLACES	± ---	± ---	DRAWN BY	DATE	ASSEMBLY, CONNECTOR F.F.C. MALE SINGLE ROW 2.54/.100 GRID W/ VOIDS molex DOCUMENT NO. SDA-70456-**** SHEET NO. 1 OF 2			
		3 PLACES	± ---	± ---	CHECKED BY	DATE				
		2 PLACES	± ---	± ---	DMORGAN	2012/10/10				
1 PLACE	± ---	± ---	APPROVED BY	DATE						
0 PLACE	± ---	± ---	SMILLER	2012/10/25	MATERIAL NO. SEE TABLE		THIS DRAWING CONTAINS INFORMATION THAT IS PROPRIETARY TO MOLEX INCORPORATED AND SHOULD NOT BE USED WITHOUT WRITTEN PERMISSION			
DRAFT WHERE APPLICABLE MUST REMAIN WITHIN DIMENSIONS		ANGULAR ±1/2°		SIZE C						

OPTION "A"

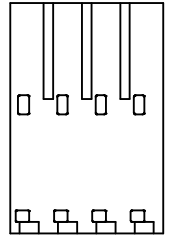
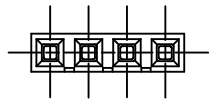
OPTION "D"

ENG. NO.	PLATING	ENG. NO.	PLATING
A-70456-0001-0048	102	AX-70456-0097-0144	102
A-70456-0241-0288	571	AX-70456-0337-0384	571
AX-70456-0481-0528	574	AX-70456-0577-0624	574

PLATING CHART PER ES-88-***:

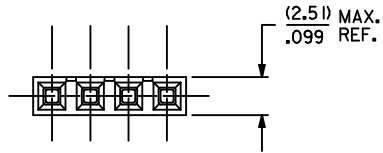
102 - .000200 MINIMUM ELCTRO-TIN PALTE OVER-ALL
 571 - .000015 MINIMUM GOLD PLATE IN SELECT AREA
 .000075 MINIMUM TIN PLATE IN SELECT AREA
 BOTH OVER NICKEL UNDERPLATE OVERALL
 574 - .000030 MINIMUM GOLD PLATE IN SELECT AREA
 .000075 MINIMUM TIN PLATE IN SELECT AREA
 BOTH OVER NICKEL UNDERPLATE OVERALL

CORE-OUT FOR HOUSING
OPTIONS A & D
CKT. SIZES 2-25
 (FOR CONTROL OF BOW)

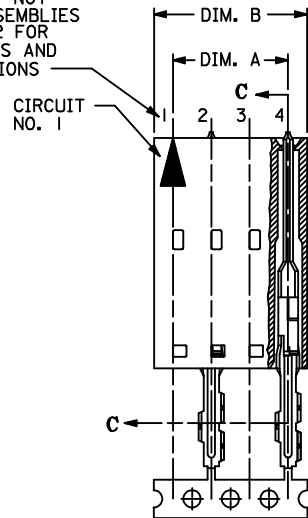


SEE SHEET 1 EC NO: UCP2013-1408 DRWN: TIBARRA 2012/10/10 CHKD: DMORGAN 2012/10/10 APPR: SMILLER 2012/10/25	QUALITY SYMBOLS ▽=0 ▽=0 ▽=0	GENERAL TOLERANCES (UNLESS SPECIFIED) <table border="1"> <thead> <tr> <th></th> <th>mm</th> <th>INCH</th> </tr> </thead> <tbody> <tr> <td>4 PLACES</td> <td>± .005</td> <td>± .0002</td> </tr> <tr> <td>3 PLACES</td> <td>± .005</td> <td>± .0002</td> </tr> <tr> <td>2 PLACES</td> <td>± .005</td> <td>± .0002</td> </tr> <tr> <td>1 PLACE</td> <td>± .005</td> <td>± .0002</td> </tr> <tr> <td>0 PLACE</td> <td>± .005</td> <td>± .0002</td> </tr> </tbody> </table>		mm	INCH	4 PLACES	± .005	± .0002	3 PLACES	± .005	± .0002	2 PLACES	± .005	± .0002	1 PLACE	± .005	± .0002	0 PLACE	± .005	± .0002	DIMENSION STYLE MM/IN DRAWN BY DATE TIBARRA 2012/10/10 CHECKED BY DATE DMORGAN 2012/10/10 APPROVED BY DATE SMILLER 2012/10/25	SCALE 1:1 DESIGN UNITS INCH THIRD ANGLE PROJECTION	TITLE ASSEMBLY, CONNECTOR F.F.C. MALE SINGLE ROW 2.54/.100 GRID W/ VOIDS molex	MATERIAL NO. SEE TABLE DOCUMENT NO. SDA-70456-***	SHEET NO. 2 OF 2
		mm	INCH																						
	4 PLACES	± .005	± .0002																						
	3 PLACES	± .005	± .0002																						
	2 PLACES	± .005	± .0002																						
1 PLACE	± .005	± .0002																							
0 PLACE	± .005	± .0002																							
DRAFT WHERE APPLICABLE MUST REMAIN WITHIN DIMENSIONS		ANGULAR ±1/2°		THIS DRAWING CONTAINS INFORMATION THAT IS PROPRIETARY TO MOLEX INCORPORATED AND SHOULD NOT BE USED WITHOUT WRITTEN PERMISSION		SIZE C																			

"A" - OPTION



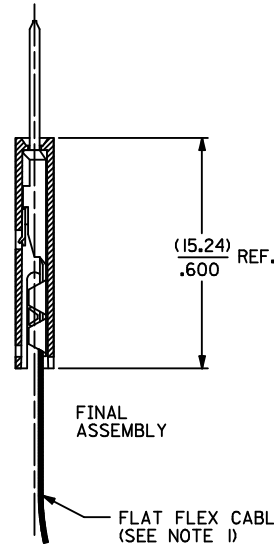
NUMBERS DO NOT APPEAR ON ASSEMBLIES SEE SHEET 2 FOR PART NUMBERS AND VOID LOCATIONS



SECTION C-C



PRE-LOAD ASSEMBLY



FINAL ASSEMBLY

FLAT FLEX CABLE (F.F.C.) (SEE NOTE 1)

NOTES:

- 1) PRE LOADED ASSEMBLY TO BE USED WITH (0.30)/.012 MAXIMUM THICK FLAT FLEX CABLE WITH (1.57)/.062 WIDE COPPER CONDUCTORS ON (2.54)/.100 CENTERS OR, (0.13)/.005 - (0.28)/.011 THICK MYLAR WITH (1.02)/.040 - (1.65)/.065 WIDE SILVER INK CONDUCTORS ON (2.54)/.100 CENTERS.
- 2) STANDARD PACKAGING PER PK-70873-0001 SHALL BE USED.
- 3) SEE CHART FOR CIRCUIT SIZES, "A" AND "B" DIMENSIONS.
- 4) REFER TO PRODUCT SPECIFICATION NO.: PS-70430.
- 5) PARTS STACKABLE SIDE TO SIDE ON (2.54)/.100 CENTERS.

CKT. SIZE	A	B
4	(7.62) .300	(10.13) .399
5	(10.16) .400	(12.67) .499
6	(12.70) .500	(15.21) .599
7	(15.24) .600	(17.75) .699
8	(17.78) .700	(20.29) .799
9	(20.32) .800	(22.83) .899
10	(22.86) .900	(25.37) .999
11	(25.40) 1.000	(27.91) 1.099
12	(27.94) 1.100	(30.45) 1.199
13	(30.48) 1.200	(32.99) 1.299
14	(33.02) 1.300	(35.53) 1.399
15	(35.56) 1.400	(38.07) 1.499
16	(38.10) 1.500	(40.61) 1.599
17	(40.64) 1.600	(43.15) 1.699
18	(43.18) 1.700	(45.69) 1.799
19	(45.72) 1.800	(48.23) 1.899
20	(48.26) 1.900	(50.77) 1.999
21	(50.80) 2.000	(53.31) 2.099
22	(53.34) 2.100	(55.85) 2.199
23	(55.88) 2.200	(58.39) 2.299
24	(58.42) 2.300	(60.93) 2.399
25	(60.96) 2.400	(63.47) 2.499

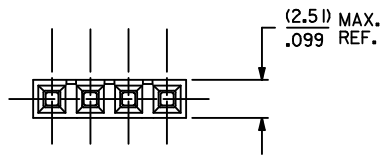
HOUSING MATERIAL: GLASS-FILLED, POLYESTER, 94V-0
 TERMINAL MATERIAL: PHOSPHOR BRONZE
 PLATING:
 .000200 MINIMUM ELECTRO-TIN PLATE
 OVER .000100 MINIMUM COPPER UNDERPLATE OVERALL

REV	DESCRIPTION	QUALITY SYMBOLS	GENERAL TOLERANCES (UNLESS SPECIFIED)		DIMENSION STYLE		SCALE	DESIGN UNITS	THIRD ANGLE PROJECTION	
			mm	INCH	MM/IN	DATE				
		▽=0	4 PLACES ± .010	± .010	TIBARRA	2012/10/10	1:1	INCH	ASSEMBLY, CONNECTOR F.F.C. MALE SINGLE ROW 2.54/.100 GRID W/ VOIDS	
		▽=0	3 PLACES ± .010	± .010	CHECKED BY	DATE				
		▽=0	2 PLACES ± 0.25	± .014	DMORGAN	2012/10/10	1:1	INCH	molex	
		▽=0	1 PLACE ± 0.35	± .014	APPROVED BY	DATE				
		▽=0	0 PLACE ± .010	± .010	SMILLER	2012/10/25				
UPDATE NOTES			ANGULAR ±1/2°		MATERIAL NO.		DOCUMENT NO.		SHEET NO.	
EC NO: UCP2013-1408			DRAFT WHERE APPLICABLE MUST REMAIN WITHIN DIMENSIONS		SEE TABLE		SDA-70456-0001-0048		1 OF 2	
DRWN:TIBARRA 2012/10/10					SIZE		THIS DRAWING CONTAINS INFORMATION THAT IS PROPRIETARY TO MOLEX INCORPORATED AND SHOULD NOT BE USED WITHOUT WRITTEN PERMISSION			
CHKD:DMORGAN 2012/10/01										
APPR:SMILLER 2012/10/25										

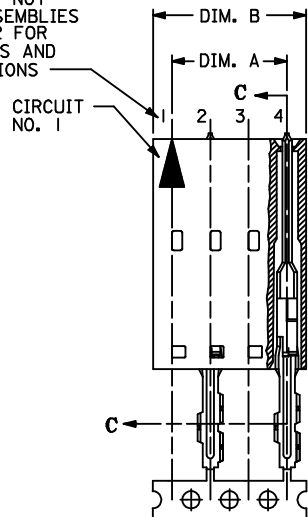
CKT. SIZE	ODD CIRCUIT VOIDS			EVEN CIRCUIT VOIDS		
	EDP NUMBER	ENG NUMBER	VOID LOCATIONS	EDP NUMBER	ENG NUMBER	VOID LOCATIONS
	2	NOT TOOLED	NOT TOOLED	N/A	NOT TOOLED	NOT TOOLED
3	NOT TOOLED	NOT TOOLED	N/A	NOT TOOLED	NOT TOOLED	N/A
4	NOT TOOLED	AX-70456-0003	1,3	NOT TOOLED	AX-70456-0027	2,4
5	015-38-6050	A-70456-0004	1,3,5	NOT TOOLED	AX-70456-0028	2,4
6	NOT TOOLED	AX-70456-0005	1,3,5	NOT TOOLED	AX-70456-0029	2,4,6
7	NOT TOOLED	AX-70456-0006	1,3,5,7	NOT TOOLED	AX-70456-0030	2,4,6
8	NOT TOOLED	AX-70456-0007	1,3,5,7	NOT TOOLED	AX-70456-0031	2,4,6,8
9	NOT TOOLED	AX-70456-0008	1,3,5,7,9	NOT TOOLED	AX-70456-0032	2,4,6,8
10	NOT TOOLED	AX-70456-0009	1,3,5,7,9	NOT TOOLED	AX-70456-0033	2,4,6,8,10
11	NOT TOOLED	AX-70456-0010	1,3,5,7,9,11	NOT TOOLED	AX-70456-0034	2,4,6,8,10
12	NOT TOOLED	AX-70456-0011	1,3,5,7,9,11	NOT TOOLED	AX-70456-0035	2,4,6,8,10,12
13	NOT TOOLED	AX-70456-0012	1,3,5,7,9,11,13	NOT TOOLED	AX-70456-0036	2,4,6,8,10,12
14	NOT TOOLED	AX-70456-0013	1,3,5,7,9,11,13	NOT TOOLED	AX-70456-0037	2,4,6,8,10,12,14
15	NOT TOOLED	AX-70456-0014	1,3,5,7,9,11,13,15	NOT TOOLED	AX-70456-0038	2,4,6,8,10,12,14
16	NOT TOOLED	AX-70456-0015	1,3,5,7,9,11,13,15	NOT TOOLED	AX-70456-0039	2,4,6,8,10,12,14,16
17	NOT TOOLED	AX-70456-0016	1,3,5,7,9,11,13,15,17	NOT TOOLED	AX-70456-0040	2,4,6,8,10,12,14,16
18	NOT TOOLED	AX-70456-0017	1,3,5,7,9,11,13,15,17	NOT TOOLED	AX-70456-0041	2,4,6,8,10,12,14,16,18
19	NOT TOOLED	AX-70456-0018	1,3,5,7,9,11,13,15,17,19	NOT TOOLED	AX-70456-0042	2,4,6,8,10,12,14,16,18
20	NOT TOOLED	AX-70456-0019	1,3,5,7,9,11,13,15,17,19	NOT TOOLED	AX-70456-0043	2,4,6,8,10,12,14,16,18,20
21	NOT TOOLED	AX-70456-0020	1,3,5,7,9,11,13,15,17,19,21	NOT TOOLED	AX-70456-0044	2,4,6,8,10,12,14,16,18,20
22	NOT TOOLED	AX-70456-0021	1,3,5,7,9,11,13,15,17,19,21	NOT TOOLED	AX-70456-0045	2,4,6,8,10,12,14,16,18,20,22
23	NOT TOOLED	AX-70456-0022	1,3,5,7,9,11,13,15,17,19,21,23	NOT TOOLED	AX-70456-0046	2,4,6,8,10,12,14,16,18,20,22
24	NOT TOOLED	AX-70456-0023	1,3,5,7,9,11,13,15,17,19,21,23	NOT TOOLED	AX-70456-0047	2,4,6,8,10,12,14,16,18,20,22,24
25	NOT TOOLED	AX-70456-0024	1,3,5,7,9,11,13,15,17,19,21,23,25	NOT TOOLED	AX-70456-0048	2,4,6,8,10,12,14,16,18,20,22,24

SEE SHEET 1 EC NO: UCP2013-1408 DRWN:TIBARRA 2012/10/10 CHKD:DMORGAN 2012/10/01 APPR:SMILLER 2012/10/25	QUALITY SYMBOLS ▽=0 ▽=0 ▽=0	GENERAL TOLERANCES (UNLESS SPECIFIED)		DIMENSION STYLE MM/IN		SCALE 1:1	DESIGN UNITS INCH	THIRD ANGLE PROJECTION	
		4 PLACES ± --- ± ---	3 PLACES ± --- ± .010	DRAWN BY TIBARRA	DATE 2012/10/10	ASSEMBLY, CONNECTOR F.F.C. MALE SINGLE ROW 2.54/.100 GRID W/ VOIDS molex			
		2 PLACES ± 0.25 ± .014	1 PLACE ± 0.35 ± ---	CHECKED BY DMORGAN	DATE 2012/10/10				
		0 PLACE ± --- ± ---		APPROVED BY SMILLER		DATE 2012/10/25	MATERIAL NO. SEE TABLE		DOCUMENT NO. SDA-70456-0001-0048
DRAFT WHERE APPLICABLE MUST REMAIN WITHIN DIMENSIONS				ANGULAR ±1/2°		THIS DRAWING CONTAINS INFORMATION THAT IS PROPRIETARY TO MOLEX INCORPORATED AND SHOULD NOT BE USED WITHOUT WRITTEN PERMISSION			

"A" - OPTION



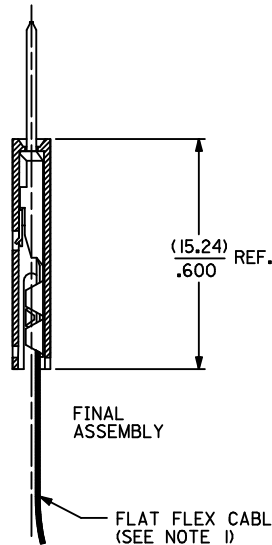
NUMBERS DO NOT APPEAR ON ASSEMBLIES SEE SHEET 2 FOR PART NUMBERS AND VOID LOCATIONS



SECTION C-C



PRE-LOAD ASSEMBLY



FINAL ASSEMBLY

NOTES:

- 1) PRE LOADED ASSEMBLY TO BE USED WITH (0.30)/.012 MAXIMUM THICK FLAT FLEX CABLE WITH (1.57)/.062 WIDE COPPER CONDUCTORS ON (2.54)/.100 CENTERS OR, (0.13)/.005 - (0.28)/.011 THICK MYLAR WITH (1.02)/.040 - (1.65)/.065 WIDE SILVER INK CONDUCTORS ON (2.54)/.100 CENTERS.
- 2) STANDARD PACKAGING PER PK-70873-0001 SHALL BE USED.
- 3) SEE CHART FOR CIRCUIT SIZES, "A" AND "B" DIMENSIONS.
- 4) REFER TO PRODUCT SPECIFICATION NO.: PS-70430.
- 5) PARTS STACKABLE SIDE TO SIDE ON (2.54)/.100 CENTERS.

FLAT FLEX CABLE (F.F.C.)
(SEE NOTE 1)

HOUSING MATERIAL: GLASS-FILLED, POLYESTER, 94V-0
 TERMINAL MATERIAL: PHOSPHOR BRONZE
 PLATING:
 .000015 MINIMUM GOLD PLATE IN SELECT AREA
 .000075 MINIMUM TIN PLATE IN SELECT AREA
 BOTH OVER NICKEL UNDERPLATE OVERALL

CKT. SIZE	DIMENSIONS	
	A	B
4	(7.62) 300	(10.13) 399
5	(10.16) 400	(12.67) 499
6	(12.70) 500	(15.21) 599
7	(15.24) 600	(17.75) 699
8	(17.78) 700	(20.29) 799
9	(20.32) 800	(22.83) 899
10	(22.86) 900	(25.37) 999
11	(25.40) 1,000	(27.91) 1,099
12	(27.94) 1,100	(30.45) 1,199
13	(30.48) 1,200	(32.99) 1,299
14	(33.02) 1,300	(35.53) 1,399
15	(35.56) 1,400	(38.07) 1,499
16	(38.10) 1,500	(40.61) 1,599
17	(40.64) 1,600	(43.15) 1,699
18	(43.18) 1,700	(45.69) 1,799
19	(45.72) 1,800	(48.23) 1,899
20	(48.26) 1,900	(50.77) 1,999
21	(50.80) 2,000	(53.31) 2,099
22	(53.34) 2,100	(55.85) 2,199
23	(55.88) 2,200	(58.39) 2,299
24	(58.42) 2,300	(60.93) 2,399
25	(60.96) 2,400	(63.47) 2,499

UPDT NOTES EC NO: UCP2013-1408 DRWNG: IBARRA 2012/10/10 CHKD: DMORGAN 2012/10/10 APPR: SMILLER 2012/10/25	QUALITY SYMBOLS ∇=0 ∇=0 ∇=0	GENERAL TOLERANCES (UNLESS SPECIFIED)		DIMENSION STYLE MM/IN	SCALE 1:1	DESIGN UNITS INCH	THIRD ANGLE PROJECTION	
		4 PLACES ± --- ± ---	INCH ± ---	DRAWN BY TIBARRA	DATE 2012/10/10	TITLE ASSEMBLY, CONNECTOR F.F.C. MALE SINGLE ROW 2.54/.100 GRID W/ VOIDS molex		
		3 PLACES ± --- ± .010	INCH ± .010	CHECKED BY DMORGAN	DATE 2012/10/10			
		2 PLACES ± 0.25 ± .014	INCH ± .014	APPROVED BY SMILLER	DATE 2012/10/25	MATERIAL NO. SEE TABLE	DOCUMENT NO. SDA-70456-0241-0288	SHEET NO. 1 OF 2
DRAFT WHERE APPLICABLE MUST REMAIN WITHIN DIMENSIONS		ANGULAR ±1/2°		THIS DRAWING CONTAINS INFORMATION THAT IS PROPRIETARY TO MOLEX INCORPORATED AND SHOULD NOT BE USED WITHOUT WRITTEN PERMISSION				

CKT. SIZE	ODD CIRCUIT VOIDS			EVEN CIRCUIT VOIDS		
	EDP NUMBER	ENG NUMBER	VOID LOCATIONS	EDP NUMBER	ENG NUMBER	VOID LOCATIONS
	2	NOT TOOLED	NOT TOOLED	N/A	NOT TOOLED	NOT TOOLED
3	NOT TOOLED	NOT TOOLED	N/A	NOT TOOLED	NOT TOOLED	N/A
4	NOT TOOLED	AX-70456-0243	1,3	NOT TOOLED	AX-70456-0267	2,4
5	015-38-6051	A-70456-0244	1,3,5	NOT TOOLED	AX-70456-0268	2,4
6	NOT TOOLED	AX-70456-0245	1,3,5	NOT TOOLED	AX-70456-0269	2,4,6
7	NOT TOOLED	AX-70456-0246	1,3,5,7	NOT TOOLED	AX-70456-0270	2,4,6
8	NOT TOOLED	AX-70456-0247	1,3,5,7	NOT TOOLED	AX-70456-0271	2,4,6,8
9	NOT TOOLED	AX-70456-0248	1,3,5,7,9	NOT TOOLED	AX-70456-0272	2,4,6,8
10	NOT TOOLED	AX-70456-0249	1,3,5,7,9	NOT TOOLED	AX-70456-0273	2,4,6,8,10
11	NOT TOOLED	AX-70456-0250	1,3,5,7,9,11	NOT TOOLED	AX-70456-0274	2,4,6,8,10
12	NOT TOOLED	AX-70456-0251	1,3,5,7,9,11	NOT TOOLED	AX-70456-0275	2,4,6,8,10,12
13	NOT TOOLED	AX-70456-0252	1,3,5,7,9,11,13	NOT TOOLED	AX-70456-0276	2,4,6,8,10,12
14	NOT TOOLED	AX-70456-0253	1,3,5,7,9,11,13	NOT TOOLED	AX-70456-0277	2,4,6,8,10,12,14
15	NOT TOOLED	AX-70456-0254	1,3,5,7,9,11,13,15	NOT TOOLED	AX-70456-0278	2,4,6,8,10,12,14
16	NOT TOOLED	AX-70456-0255	1,3,5,7,9,11,13,15	NOT TOOLED	AX-70456-0279	2,4,6,8,10,12,14,16
17	NOT TOOLED	AX-70456-0256	1,3,5,7,9,11,13,15,17	NOT TOOLED	AX-70456-0280	2,4,6,8,10,12,14,16
18	NOT TOOLED	AX-70456-0257	1,3,5,7,9,11,13,15,17	NOT TOOLED	AX-70456-0281	2,4,6,8,10,12,14,16,18
19	NOT TOOLED	AX-70456-0258	1,3,5,7,9,11,13,15,17,19	NOT TOOLED	AX-70456-0282	2,4,6,8,10,12,14,16,18
20	NOT TOOLED	AX-70456-0259	1,3,5,7,9,11,13,15,17,19	NOT TOOLED	AX-70456-0283	2,4,6,8,10,12,14,16,18,20
21	NOT TOOLED	AX-70456-0260	1,3,5,7,9,11,13,15,17,19,21	NOT TOOLED	AX-70456-0284	2,4,6,8,10,12,14,16,18,20
22	NOT TOOLED	AX-70456-0261	1,3,5,7,9,11,13,15,17,19,21	NOT TOOLED	AX-70456-0285	2,4,6,8,10,12,14,16,18,20,22
23	NOT TOOLED	AX-70456-0262	1,3,5,7,9,11,13,15,17,19,21,23	NOT TOOLED	AX-70456-0286	2,4,6,8,10,12,14,16,18,20,22
24	NOT TOOLED	AX-70456-0263	1,3,5,7,9,11,13,15,17,19,21,23	NOT TOOLED	AX-70456-0287	2,4,6,8,10,12,14,16,18,20,22,24
25	NOT TOOLED	AX-70456-0264	1,3,5,7,9,11,13,15,17,19,21,23,25	NOT TOOLED	AX-70456-0288	2,4,6,8,10,12,14,16,18,20,22,24

SEE SHEET 1 EC NO: UCP2013-1408 DRWN: TIBARRA 2012/10/10 CHKD: DMORGAN 2012/10/10 APPR: SMILLER 2012/10/25	QUALITY SYMBOLS 	GENERAL TOLERANCES (UNLESS SPECIFIED)		DIMENSION STYLE	SCALE	DESIGN UNITS	THIRD ANGLE PROJECTION	
				MM/IN	1:1	INCH		
				DRAWN BY DATE	TITLE			
				CHECKED BY DATE	ASSEMBLY, CONNECTOR			
				APPROVED BY DATE		F.F.C. MALE SINGLE ROW		
				SMILLER 2012/10/25		2.54/.100 GRID W/ VOIDS		
		ANGULAR ±1/2°		MATERIAL NO.		DOCUMENT NO.		
		DRAFT WHERE APPLICABLE MUST REMAIN WITHIN DIMENSIONS		SEE TABLE		SDA-70456-0241-0288		
				THIS DRAWING CONTAINS INFORMATION THAT IS PROPRIETARY TO MOLEX. INCORPORATED AND SHOULD NOT BE USED WITHOUT WRITTEN PERMISSION		SHEET NO. 2 OF 2		



Компания «ЭлектроПласт» предлагает заключение долгосрочных отношений при поставках импортных электронных компонентов на взаимовыгодных условиях!

Наши преимущества:

- Оперативные поставки широкого спектра электронных компонентов отечественного и импортного производства напрямую от производителей и с крупнейших мировых складов;
- Поставка более 17-ти миллионов наименований электронных компонентов;
- Поставка сложных, дефицитных, либо снятых с производства позиций;
- Оперативные сроки поставки под заказ (от 5 рабочих дней);
- Экспресс доставка в любую точку России;
- Техническая поддержка проекта, помощь в подборе аналогов, поставка прототипов;
- Система менеджмента качества сертифицирована по Международному стандарту ISO 9001;
- Лицензия ФСБ на осуществление работ с использованием сведений, составляющих государственную тайну;
- Поставка специализированных компонентов (Xilinx, Altera, Analog Devices, Intersil, Interpoint, Microsemi, Aeroflex, Peregrine, Syfer, Eurofarad, Texas Instrument, Miteq, Cobham, E2V, MA-COM, Hittite, Mini-Circuits, General Dynamics и др.);

Помимо этого, одним из направлений компании «ЭлектроПласт» является направление «Источники питания». Мы предлагаем Вам помощь Конструкторского отдела:

- Подбор оптимального решения, техническое обоснование при выборе компонента;
- Подбор аналогов;
- Консультации по применению компонента;
- Поставка образцов и прототипов;
- Техническая поддержка проекта;
- Защита от снятия компонента с производства.



Как с нами связаться

Телефон: 8 (812) 309 58 32 (многоканальный)

Факс: 8 (812) 320-02-42

Электронная почта: org@eplast1.ru

Адрес: 198099, г. Санкт-Петербург, ул. Калинина, дом 2, корпус 4, литера А.