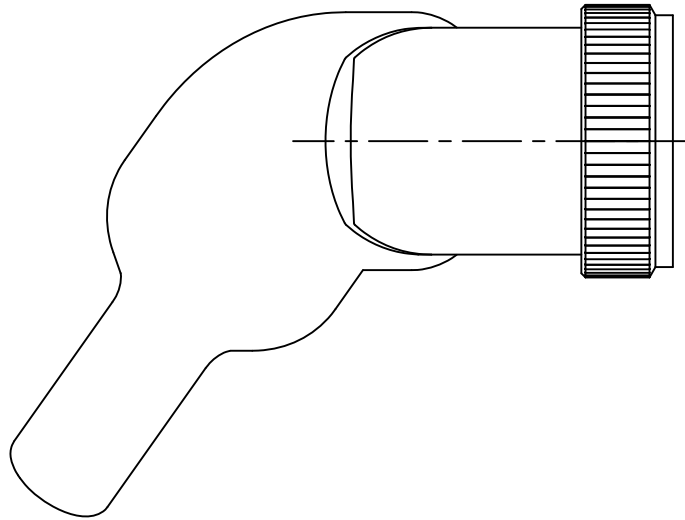


THIS DRAWING AND THE INFORMATION SET FORTH HEREON ARE THE PROPERTY OF TYCO ELECTRONICS AND ARE TO BE HELD IN TRUST AND CONFIDENCE. PUBLICATION, DUPLICATION, DISCLOSURE, OR USE FOR ANY PURPOSE NOT EXPRESSLY AUTHORIZED IN WRITING BY TYCO ELECTRONICS IS PROHIBITED.

REVISIONS

| LTR | DESCRIPTION | DATE | APPROVED |
|-----|----------------------------|----------|----------|
| A | RELEASED PER ECO-11-025206 | 12/16/11 | B. WONG |



SPIN-LOCK ADAPTER, HEAT SHRINKABLE MOLDED PART, SEALED


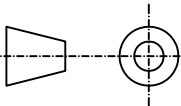
NOTES:

1. THIS PRODUCT IS DESIGNED TO TERMINATE A BRAIDED CABLE SHIELD AND A HEAT SHRINKABLE LIPPED BOOT TO A CONNECTOR AND PROVIDE STRAIN RELIEF.
2. SEE DRAWING "TR" FOR DETAIL ON TINEL-LOCK RING. RINGS ARE DESIGNED TO BE HEATED ELECTRICALLY. ALL RINGS ARE MARKED WITH THERMOCHROMIC PAINT WHICH CHANGES COLOR WHEN INSTALLATION TEMPERATURE IS REACHED.
3. ADAPTER TO BE PERMANENTLY MARKED WITH CODE IDENT. NO. AND PART NO. LESS RING DESIGNATOR (E.G.: 06090-XXXXXXXX-XXXX).
4. ADAPTER MATES TO MIL-C-38999, SERIES I & II, CLASS E & T; MS27466, MS27467 MS27468, MS27472, MS27473, MS27479, MS27480, MS27481, MS27484, MS27497 MS27652, MS27653, MS27656 CONNECTORS.
5. INSTALLATION PROCEDURE MIP-103.
6. PERFORMANCE SPECIFICATION MPS-103.
7. FOR ADDITIONAL ORDERING INFORMATION SEE CH00-0250-019.

If this document is printed it becomes uncontrolled. Check for the latest revision

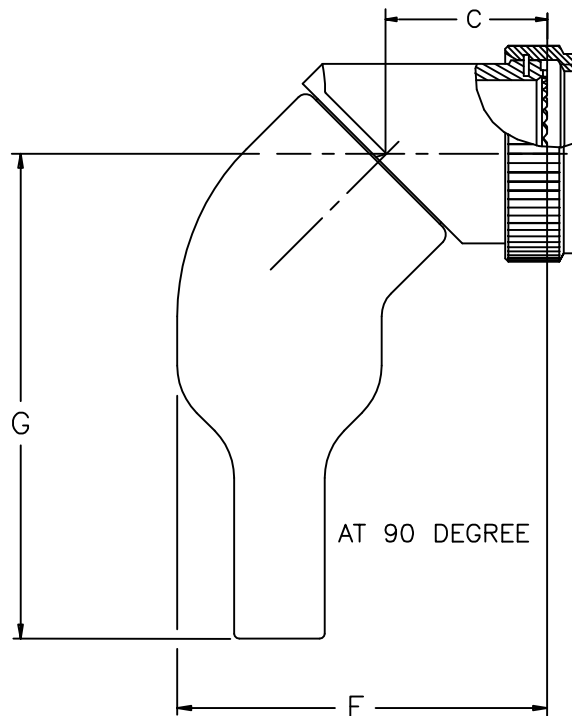
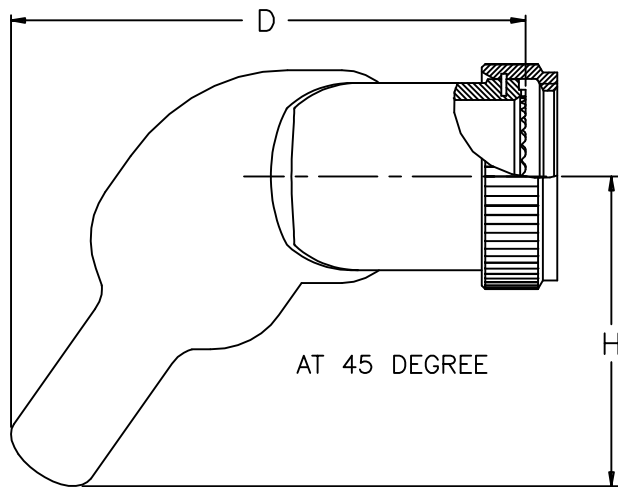
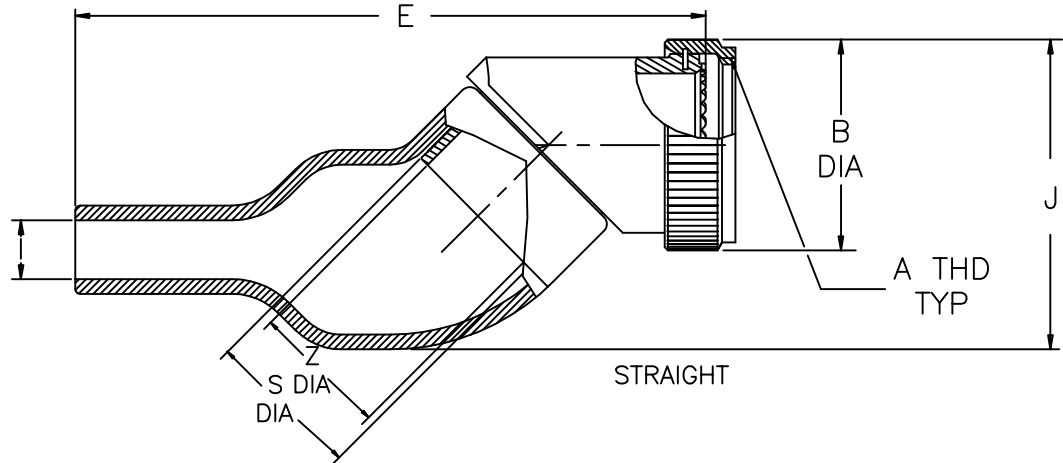
2011 Tyco Electronics Corporation. All rights reserved.

Raychem Adapters
CUSTOMER DRAWING

| | | | | | |
|---|--|-------------------|--|-------------------|----------|
| UNLESS OTHERWISE SPECIFIED DIMENSIONS ARE IN INCHES AND TOLERANCES ARE: .XXX ± — .XX ± — ± — | DRAWN D JAIN | DATE 12OCT2011 |  | TE Connectivity | |
| | CHECKED BERT W | DATE 12OCT2011 | | | |
| | APPROVED | DATE | | | |
| MATERIAL SEE NOTES | THIRD ANGLE PROJECTION  | | TITLE SPIN-LOCK ADAPTER, HEAT SHRINKABLE MOLDED PART, SEALED, CODE 41 | | |
| FINISH — | CAD NAME SLM41_a.dwg | SIZE A | CAGE CODE: 06090 | DWG. NO. SLM41 | REV A |
| | RPN: — | SCALE: NONE | | SHEET 1 OF 3 | |

| REVISIONS | | | |
|-----------|----------------------------|----------|----------|
| LTR | DESCRIPTION | DATE | APPROVED |
| A | RELEASED PER ECO-11-025206 | 12/16/11 | B. WONG |

e.g SLM 41AB - 1610A



Raychem Adapters
CUSTOMER DRAWING

| | | | |
|-------------|---------------------|-------------------|----------|
| SIZE A | CAGE CODE: 06090 | DWG. NO. SLM41 | REV A |
| SCALE: NONE | | SHEET 2 OF 3 | |

| REVISIONS | | | |
|-----------|----------------------------|----------|----------|
| LTR | DESCRIPTION | DATE | APPROVED |
| A | RELEASED PER ECO-11-025206 | 12/16/11 | B. WONG |

TABLE I

| ORDER NO. | SHELL SIZE | | AVAILABLE ENTRY SIZES | | A METRIC THD CLASS 6H | B DIA MAX | C MAX DIM |
|-----------|------------|--------|-----------------------|-------|-----------------------|-----------------|-----------------|
| | SER I | SER II | SMALL | LARGE | | | |
| 08 | 09 | 8 | 04 | - | .438-28 UNEF | .61 [15.49] | .65 [16.6] |
| 10 | 11 | 10 | 04 | 06 | .562-24 UNEF | .73 [18.54] | .76 [19.20] |
| 12 | 13 | 12 | 06 | 08 | .688-24 UNEF | .85 [21.59] | .83 [21.2] |
| 14 | 15 | 14 | 08 | 10 | .812-20 UNEF | 1.01 [25.65] | .94 [23.90] |
| 16 | 17 | 16 | 10 | 12 | .938-20 UNEF | 1.14 [28.95] | .92 [23.37] |
| 18 | 19 | 18 | 10 | 14 | 1.062-18 UNEF | 1.28 [32.51] | 1.37 [34.8] |
| 20 | 21 | 20 | 12 | 16 | 1.188-18 UNEF | 1.40 [35.56] | 1.02 [25.08] |
| 22 | 23 | 22 | 14 | 18 | 1.312-18 UNEF | 1.54 [39.11] | 1.13 [28.8] |
| 24 | 25 | 24 | 16 | 20 | 1.438-18 UNEF | 1.66 [42.16] | 1.15 [29.23] |

TABLE II

| ORDER NO. | D MAX DIM | E MAX DIM | F MAX DIM | G MAX DIM | H MAX DIM | I MAX DIM | J MAX DIM |
|-----------|-----------------|------------------|-----------------|-----------------|-----------------|-----------------|-----------------|
| 08 | 2.00 [50.7] | 2.45 [62.23] | 1.50 [38.02] | 1.82 [46.2] | 1.03 [26.16] | 1.05 [26.67] | 1.15 [29.20] |
| 10 | 2.28 [57.91] | 3.02 [76.75] | 1.65 [41.91] | 2.33 [59.18] | 1.32 [33.50] | 1.10 [27.9] | 1.35 [34.40] |
| 12 | 2.44 [62.0] | 3.15 [76.70] | 1.80 [45.80] | 2.33 [59.18] | 1.37 [34.80] | 1.20 [30.5] | 1.41 [35.9] |
| 14 | 2.70 [68.50] | 3.47 [88.1] | 2.03 [51.6] | 2.55 [64.77] | 1.52 [38.61] | 1.15 [29.21] | 1.61 [41.1] |
| 16 | 2.65 [67.40] | 3.52 [89.5] | 2.03 [51.56] | 2.55 [64.77] | 1.44 [36.5] | 1.20 [30.5] | 1.76 [44.8] |
| 18 | 2.64 [67.1] | 3.85 [97.90] | 2.23 [56.64] | 2.90 [73.66] | 1.77 [44.96] | 1.15 [29.21] | 1.89 [48.10] |
| 20 | 2.94 [74.8] | 3.89 [98.81] | 2.24 [56.90] | 2.90 [73.66] | 1.77 [44.96] | 1.20 [30.5] | 1.95 [49.6] |
| 22 | 3.43 [87.12] | 4.43 [112.52] | 2.52 [64.01] | 3.36 [85.34] | 2.16 [54.86] | 1.20 [30.5] | 2.23 [56.66] |
| 24 | 3.53 [89.65] | 4.52 [114.79] | 2.61 [66.4] | 3.36 [85.34] | 2.16 [54.86] | 1.20 [30.5] | 2.33 [59.18] |

TABLE III

| ENTRY SIZE | MOLDED PART DESCRIPTION | S DIA | Z +.010 -.020 |
|------------|-------------------------|-----------------------------------|---------------------|
| 04 | 245W032 | .376 [9.55] .370 [9.40] | .250 [6.35] |
| 06 | 245W042 | .501 [12.73] .495 [12.57] | .375 [9.53] |
| 08 | 245W042 | .626 [15.90] .619 [15.72] | .500 [12.70] |
| 10 | 245W053 | .752 [19.10] .742 [18.85] | .625 [15.88] |
| 12 | 245W053 | .877 [22.28] .867 [22.02] | .750 [19.05] |
| 14 | 245W063 | 1.002 [25.45] .991 [25.17] | .875 [22.23] |
| 16 | 245W063 | 1.127 [28.63] 1.116 [28.35] | 1.000 [25.40] |
| 18 | 245W074 | 1.252 [31.80] 1.241 [31.52] | 1.125 [28.58] |
| 20 | 245W074 | 1.377 [34.98] 1.366 [34.70] | 1.250 [31.75] |

Raychem Adapters

CUSTOMER DRAWING

| | | | |
|-----------|---------------------|-------------------|--------------|
| SIZE A | CAGE CODE: 06090 | DWG. NO. SLM41 | REV A |
| | | | SHEET 3 OF 3 |



Компания «ЭлектроПласт» предлагает заключение долгосрочных отношений при поставках импортных электронных компонентов на взаимовыгодных условиях!

Наши преимущества:

- Оперативные поставки широкого спектра электронных компонентов отечественного и импортного производства напрямую от производителей и с крупнейших мировых складов;
- Поставка более 17-ти миллионов наименований электронных компонентов;
- Поставка сложных, дефицитных, либо снятых с производства позиций;
- Оперативные сроки поставки под заказ (от 5 рабочих дней);
- Экспресс доставка в любую точку России;
- Техническая поддержка проекта, помощь в подборе аналогов, поставка прототипов;
- Система менеджмента качества сертифицирована по Международному стандарту ISO 9001;
- Лицензия ФСБ на осуществление работ с использованием сведений, составляющих государственную тайну;
- Поставка специализированных компонентов (Xilinx, Altera, Analog Devices, Intersil, Interpoint, Microsemi, Aeroflex, Peregrine, Syfer, Eurofarad, Texas Instrument, Miteq, Cobham, E2V, MA-COM, Hittite, Mini-Circuits, General Dynamics и др.);

Помимо этого, одним из направлений компании «ЭлектроПласт» является направление «Источники питания». Мы предлагаем Вам помощь Конструкторского отдела:

- Подбор оптимального решения, техническое обоснование при выборе компонента;
- Подбор аналогов;
- Консультации по применению компонента;
- Поставка образцов и прототипов;
- Техническая поддержка проекта;
- Защита от снятия компонента с производства.



Как с нами связаться

Телефон: 8 (812) 309 58 32 (многоканальный)

Факс: 8 (812) 320-02-42

Электронная почта: org@eplast1.ru

Адрес: 198099, г. Санкт-Петербург, ул. Калинина, дом 2, корпус 4, литера А.