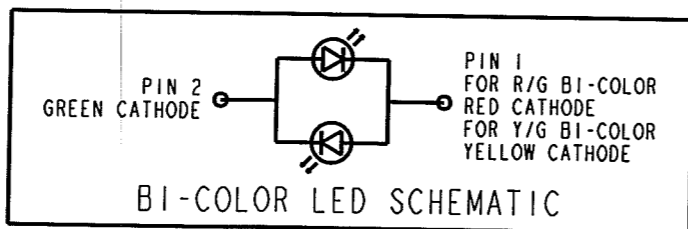
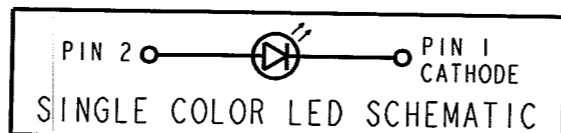


| PART NUMBER   | LED COLOR             |                       |
|---------------|-----------------------|-----------------------|
|               | POS. 1                | POS. 2                |
| 553-0211-100F | RED                   | RED                   |
| 553-0221-100F | GREEN                 | RED                   |
| 553-0222-100F | GREEN                 | GREEN                 |
| 553-0223-100F | GREEN                 | YELLOW                |
| 553-0233-100F | YELLOW                | YELLOW                |
| 553-0322-100F | GREEN, 5V             | GREEN, 5V             |
| 553-0710-100F | RED/GREEN BI-COLOR    | BLANK                 |
| 553-0744-100F | YELLOW/GREEN BI-COLOR | YELLOW/GREEN BI-COLOR |



### RoHS COMPLIANT 553-0XXX-100F

Part Numbers with the "F" suffix ending are RoHS Compliant. For example: 553-0222-100F  
Packaging is marked with "RoHS Compliant" label or equivalent markings. Parts can be wave soldered, dip soldered or hand soldered using typical lead-free soldering process with max 260°C temp. for 5 sec.

| REV | ECN NO | REVISIONS   | DRN | CKD  | APP    | DATE |
|-----|--------|-------------|-----|------|--------|------|
| A   |        | NEW RELEASE | KLJ | 7.8. | 7/9/08 |      |

#### NOTES:

- LED LEAD DIMENSIONS SHOWN ARE MEASURED AT HOUSING EXIT.
- LEADS TO FIT INTO HOLES SPACED AS PER PATTERN.
- PIN NUMBERS FOR REFERENCE ONLY, DESIGNATION NON-EXISTENT ON PART.
- DIALIGHT PART NUMBERS: 553-0XXX-100F.
- THIS ASSEMBLY CONTAINS ELECTROSTATIC DISCHARGE SENSITIVE DEVICES (ESDS). MAINTAIN ALL PRECAUTIONARY MEASURES DURING ASSEMBLY, HANDLING, AND STORAGE IN ACCORDANCE WITH IPC-A-610.

#### ABSOLUTE MAXIMUM RATINGS AT 25°C AMBIENT FOR BI-COLOR LEADS

|   | R/G BI-COLOR |       | Y/G BI-COLOR |       | UNITS |
|---|--------------|-------|--------------|-------|-------|
|   | RED          | GREEN | YELLOW       | GREEN |       |
| POWER DISSIPATION   | 100          | 60    | 100          |       | mW    |
| CONTINUOUS FORWARD CURRENT                                | 30           | 20    | 30           |       | mA    |
| PEAK FORWARD CURRENT (1/10 DUTY CYCLE, 10 ms PULSE WIDTH) | 120          | 80    | 120          |       | mA    |
| DERATING LINEAR FROM 50°C                                 | 0.4          | 0.25  | 0.4          |       | mA/°C |
| REVERSE VOLTAGE   | 5            |       |              |       | V     |
| SOLDERING TEMPERATURE (.063" FROM BODY FOR 5 SECONDS)     | 260          |       |              |       | °C    |
| OPERATING TEMPERATURE                                     | -55 TO +100  |       |              |       | °C    |
| STORAGE TEMPERATURE                                       | -55 TO +100  |       |              |       | °C    |

#### BI-COLOR LED OPERATING CHARACTERISTICS AT Ta = 25°C

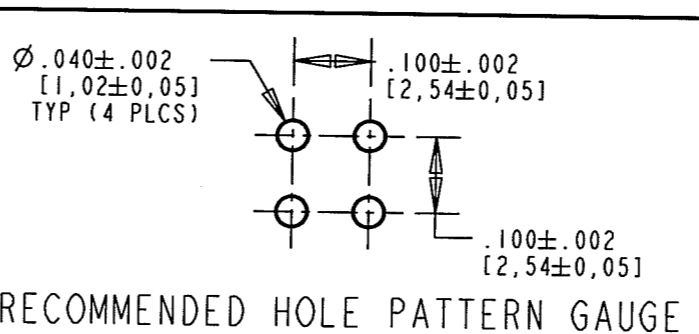
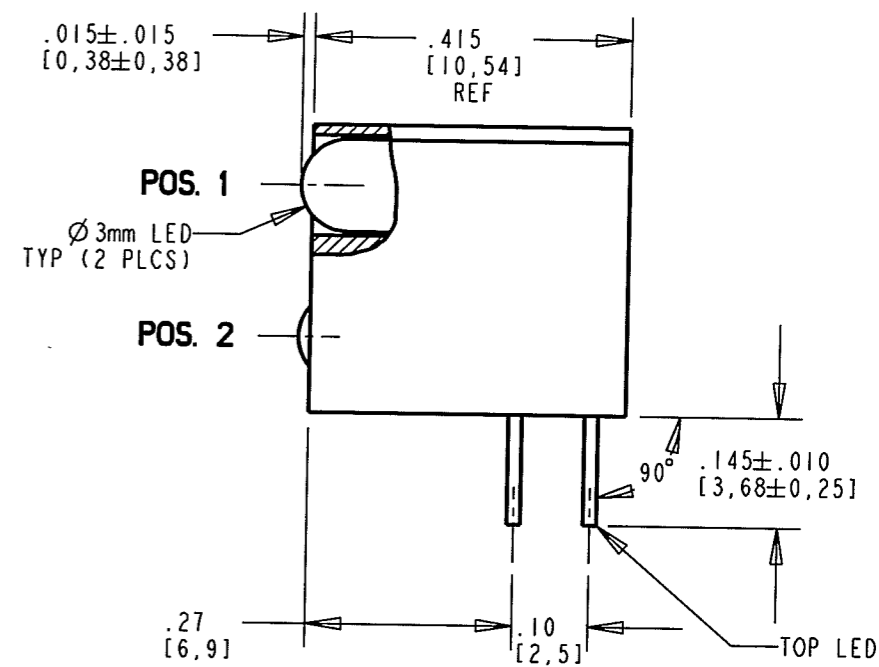
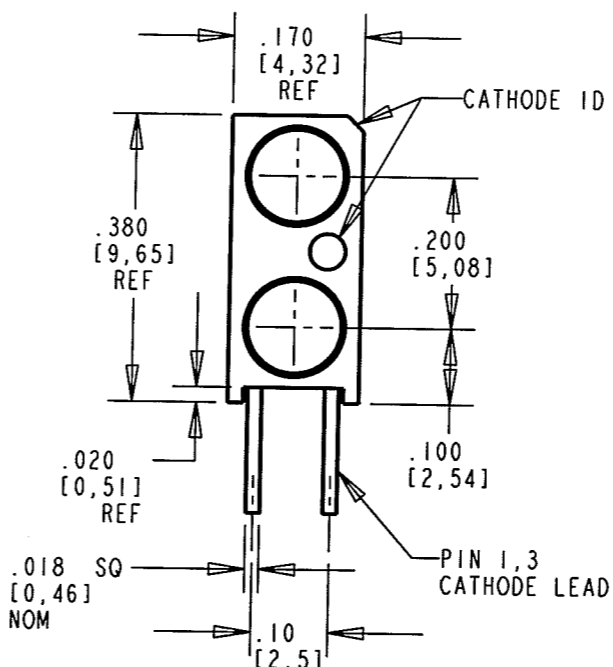
| LED                   | COLOR  | PEAK WAVELENGTH (nm) | DOMINANT WAVELENGTH (nm) | VIEWING ANGLE (°) | LUMINOUS INTENSITY (mcd) @ If = 10 mA |      | FORWARD VOLTAGE (V) @ If = 20 mA |     |
|-----------------------|--------|----------------------|--------------------------|-------------------|---------------------------------------|------|----------------------------------|-----|
|                       |        | TYP                  | TYP                      |                   | MIN                                   | TYP  | TYP                              | MAX |
|                       |        |                      |                          |                   |                                       |      |                                  |     |
| RED/GREEN BI-COLOR    | RED    | 635                  | —                        | 60                | 2.5                                   | 4.7  | 2.0                              | 2.8 |
|                       | GREEN  | 565                  | —                        |                   | 3.7                                   | 10.0 | 2.1                              | 2.8 |
| YELLOW/GREEN BI-COLOR | YELLOW | 585                  | 586                      | 80                | 2.5                                   | 4.3  | 2.1                              | 2.8 |
|                       | GREEN  | 565                  | 569                      |                   | 2.5                                   | 6.3  | 2.1                              | 2.8 |

#### ABSOLUTE MAXIMUM RATINGS AT 25°C AMBIENT FOR SINGLE COLOR LEADS

|   | LED COLOR         |            |             |                | UNITS |
|---|-------------------|------------|-------------|----------------|-------|
|   | RED DIFF          | GREEN DIFF | YELLOW DIFF | GREEN DIFF, 5V |       |
| POWER DISSIPATION                             | 20                | 20         | 20          | —              | mW    |
| CONTINUOUS FORWARD CURRENT                    | 7                 | 7          | 7           | —              | mA    |
| DC FORWARD VOLTAGE                            | —                 | —          | —           | 7.5            | V     |
| PEAK FORWARD CURRENT (0.01 ms PULSE WIDTH)    | 120               | 60         | 80          | —              | mA    |
| DERATING LINEAR FROM 90°C (50°C FOR 5V GREEN) | 0.7               | 0.7        | 0.7         | 0.086 (V/°C)   | mA/°C |
| REVERSE VOLTAGE                               | 5                 |            |             |                | V     |
| SOLDERING TEMPERATURE (.063 in FROM BODY)     | 260 FOR 5 SECONDS |            |             |                | °C    |
| OPERATING TEMPERATURE                         | -55 TO +100       |            | -40 TO +85  |                | °C    |
| STORAGE TEMPERATURE                           | -55 TO +100       |            |             |                | °C    |

#### SINGLE COLOR LED OPERATING CHARACTERISTICS AT Ta = 25°C

| COLOR                            | PEAK EMISSION WAVELENGTH (nm) | DOMINANT WAVELENGTH (nm) | VIEWING ANGLE (°) | LUMINOUS INTENSITY (mcd) @ If = 2mA; @ Vf = 5V FOR 5V GREEN |     | FORWARD VOLTAGE (V) @ If = 2 mA |     | FORWARD CURRENT (mA) @ Vf = 5V |     | REVERSE CURRENT (µA) @ Vr = 5V |
|----------------------------------|-------------------------------|--------------------------|-------------------|---|-----|---------------------------------|-----|--------------------------------|-----|--------------------------------|
|                                  |                               |                          |                   | MIN   | TYP | TYP                             | MAX | TYP                            | MAX | MAX                            |
| RED DIFFUSED                     | 635                           | 623                      | 60                | 0.7   | 2.5 | 1.7                             | 2.2 | —                              | —   | 10                             |
| GREEN DIFFUSED                   | 565                           | 569                      | 60                | 0.4   | 1.1 | 1.9                             | 2.2 | —                              | —   | 10                             |
| YELLOW DIFFUSED                  | 591                           | 588                      | 60                | 0.4   | 1.1 | 1.8                             | 2.7 | —                              | —   | 10                             |
| GREEN DIFF, 5V INTEGRAL RESISTOR | 565                           | —                        | 60                | 5.6   | 19  | —                               | —   | 10                             | 20  | 100                            |



**ATTENTION:**  
OBSERVE PRECAUTIONS FOR HANDLING ELECTROSTATIC SENSITIVE DEVICES

THIS DRAWING AND THE CONTENTS HEREIN ARE CONFIDENTIAL AND THE SOLE PROPERTY OF DIALIGHT. REPRODUCTION OF THIS DRAWING OR CONSTRUCTION OF ANY PARTS WITHIN THIS DRAWING ARE FORBIDDEN WITHOUT THE WRITTEN CONSENT OF DIALIGHT.

|  |  |     |
|--|--|-----|
| SCALE: DRAWING SCALE                   | DRAWING NUMBER                                 | REV |
| ALL DIM'S IN: INCHES (MM)              | C-17638  | A   |
| TOLERANCES: UNLESS OTHERWISE SPECIFIED | TITLE BI-LEVEL CBI BACKLIGHTING RoHS COMPLIANT |     |
| FRACTIONS: ±1/64                       | MATERIAL                                       |     |
| DECIMALS (.XX): ±.01                   | Dialight                                       |     |
| DECIMALS (.XXX): ±.005                 | 1501 ROUTE 34 SOUTH FARMINGDALE, NJ 07727      |     |
| DECIMALS (.XXXX): ±.0005               | FSCM 83330                                     |     |
| ANGLES: ±1°                            | SHEET 1 OF 1 FAMILY TABLE:                     |     |
| FINISH:                                |  |     |



Компания «ЭлектроПласт» предлагает заключение долгосрочных отношений при поставках импортных электронных компонентов на взаимовыгодных условиях!

Наши преимущества:

- Оперативные поставки широкого спектра электронных компонентов отечественного и импортного производства напрямую от производителей и с крупнейших мировых складов;
- Поставка более 17-ти миллионов наименований электронных компонентов;
- Поставка сложных, дефицитных, либо снятых с производства позиций;
- Оперативные сроки поставки под заказ (от 5 рабочих дней);
- Экспресс доставка в любую точку России;
- Техническая поддержка проекта, помощь в подборе аналогов, поставка прототипов;
- Система менеджмента качества сертифицирована по Международному стандарту ISO 9001;
- Лицензия ФСБ на осуществление работ с использованием сведений, составляющих государственную тайну;
- Поставка специализированных компонентов (Xilinx, Altera, Analog Devices, Intersil, Interpoint, Microsemi, Aeroflex, Peregrine, Syfer, Eurofarad, Texas Instrument, Miteq, Cobham, E2V, MA-COM, Hittite, Mini-Circuits, General Dynamics и др.);

Помимо этого, одним из направлений компании «ЭлектроПласт» является направление «Источники питания». Мы предлагаем Вам помощь Конструкторского отдела:

- Подбор оптимального решения, техническое обоснование при выборе компонента;
- Подбор аналогов;
- Консультации по применению компонента;
- Поставка образцов и прототипов;
- Техническая поддержка проекта;
- Защита от снятия компонента с производства.



#### Как с нами связаться

**Телефон:** 8 (812) 309 58 32 (многоканальный)

**Факс:** 8 (812) 320-02-42

**Электронная почта:** [org@eplast1.ru](mailto:org@eplast1.ru)

**Адрес:** 198099, г. Санкт-Петербург, ул. Калинина, дом 2, корпус 4, литера А.