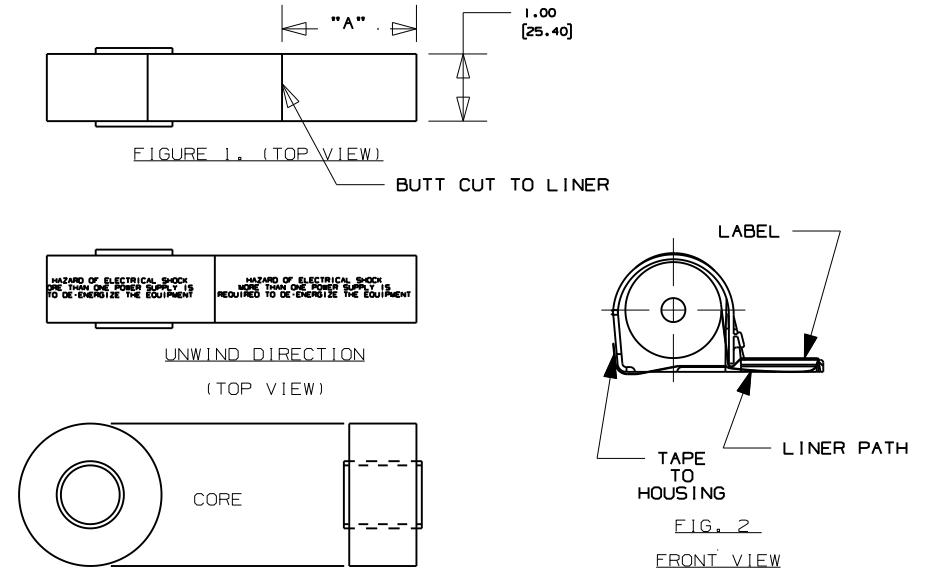


THIS COPY IS PROVIDED ON A RESTRICTED BASIS AND IS NOT TO BE USED IN ANY WAY DETRIMENTAL TO THE INTERESTS OF PANDUIT CORP.

| PART NUMBER | MARKER SIZE | | LEGEND | | | | MATERIAL |
|-------------|-----------------|----------------|--------------|-----------------|----------------------------------|--------------|----------|
| | LENGTH DIM. "A" | WIDTH | HEADER | HEADER COLOR | MESSAGE | MESS. COLOR | |
| PLD-3 | 1.5 (.38.1) | 1.0 (.25.4) | CALL-BRATION | WHITE/GREEN | BY _____ DATE _____ DUE _____ | GREEN/WHITE | A |
| PLD-4 | 1.5 (.38.1) | 1.0 (.25.4) | ACCEPTED | WHITE/GREEN | BY _____ DATE _____ | GREEN/WHITE | A |
| PLD-7 | 1.5 (.38.1) | 1.0 (.25.4) | TESTED | WHITE/GREEN | DATE _____ BY _____ | GREEN/WHITE | A |
| PLD-11 | 1.5 (.38.1) | 1.0 (.25.4) | DO NOT USE | WHITE/RED | AFTER _____ | RED/WHITE | A |
| PLD-12 | 1.5 (.38.1) | 1.0 (.25.4) | CIRCUIT NO. | WHITE/ORANGE | LOCATION _____ | ORANGE/WHITE | A |
| PLD-17 | 1.5 (.38.1) | 1.0 (.25.4) | NONE | NONE | BLANK - WHITE BACKGROUND | NONE | A |
| PLD-18 | 1.5 (.38.1) | 1.0 (.25.4) | NONE | NONE | BLANK - YELLOW BACKGROUND | NONE | A |
| PLD-22 | 1.5 (.38.1) | 1.0 (.25.4) | CALL-BRATION | WHITE/BLACK | BY _____ DATE _____ DUE _____ | BLACK/WHITE | A |
| PLD-28 | 1.5 (.38.1) | 1.0 (.25.4) | INSPECTED | WHITE/BLACK | DATE _____ INITIALS _____ | BLACK/WHITE | A |
| PLD-29 | 1.5 (.38.1) | 1.0 (.25.4) | NONE | NONE | MAINTENANCE BY _____ DATE _____ | BLACK/WHITE | A |
| PLD-30 | 1.5 (.38.1) | 1.0 (.25.4) | CAUTION | YELLOW/BLACK | BLANK - YELLOW BACKGROUND | NONE | A |
| PLD-36 | 1.5 (.38.1) | 1.0 (.25.4) | CAUTION | YELLOW/BLACK | 120V | BLACK/YELLOW | B |
| PLD-37 | 1.5 (.38.1) | 1.0 (.25.4) | CAUTION | YELLOW/BLACK | 220V | BLACK/YELLOW | B |
| PLD-38 | 1.5 (.38.1) | 1.0 (.25.4) | CAUTION | YELLOW/BLACK | 240V | BLACK/YELLOW | B |
| PLD-43 | 1.5 (.38.1) | 1.0 (.25.4) | DANGER | WHITE-RED/BLACK | HIGH VOLTAGE | BLACK/WHITE | B |



| ITEM NO. | MATERIAL |
|----------|----------|
| A | GMYOL |
| B | GMYOL |
| C | GMY4-W |

NOTES:
 1. MILLIMETER ARE IN [].
 2. LENGTH 309"-312".

1 of 2

| | | | | | | | | | | | | | | | |
|-----|---------|-----|-----|---------------------------------------|--|--|------|---|------|--|----------|---|--------------|-------------|--------|
| | | | | | | | | | | CAD FILENAME/LAYERS | | 100619KR-DC-C10689/18B | | | |
| | | | | | | | | | | PANDUIT CORP. TINLEY PARK, ILLINOIS | | | | | |
| | | | | | | | | | | PLD CUSTOMER DRAWING | | | | | |
| | | | | | | | | | | UNLESS OTHERWISE SPECIFIED, DIMENSIONAL TOLERANCES ARE: (.X) ± .075 (.XXX) ± .020 (.XX) ± .050 ANGLES ± 5° | | UNLESS OTHERWISE SPECIFIED, ALL DIMENSIONS ARE GIVEN IN INCHES, THIRD ANGLE PROJECTION. | | | |
| 1 | 9/14/10 | RVU | | PDL-56, MATERIAL COLUMN, 'C' WAS 'B'. | | | 6139 | R | | | DRAWN BY | RVU | MAT'L: | SCALE | NTS |
| 0 | 4/7/08 | RVU | | DRAWING RELEASE. | | | 5387 | R | | | DATE | 4/7/08 | SEE TABLE 1. | DRAWING NO. | C10689 |
| REV | DATE | BY | CHK | DESCRIPTION | | | ECN | R | CUST | SUP | CHK'D | | | DWG SIZE | A |

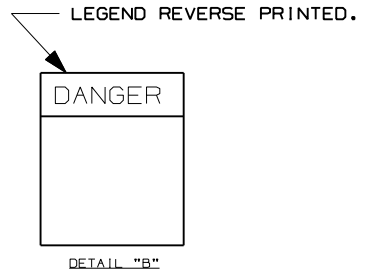
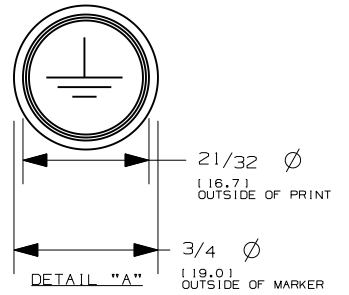
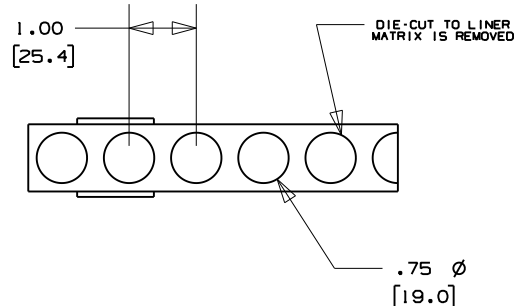
THIS COPY IS PROVIDED ON A RESTRICTED BASIS AND IS NOT TO BE USED IN ANY WAY DETRIMENTAL TO THE INTERESTS OF PANDUIT CORP.

| PART NUMBER | MARKER SIZE | | LEGEND | | | | MATERIAL |
|-------------|----------------------|---------------|---------|--------------|---|--------------|----------|
| | LENGTH | WIDTH | HEADER | HEADER COLOR | MESSAGE | MESS. COLOR | |
| PLD-45 | 1.5 [38.1] | 1.0 [25.4] | CAUTION | YELLOW/BLACK | 230 V | BLACK/YELLOW | B |
| PLD-46 | 1.5 [38.1] | 1.0 [25.4] | CAUTION | YELLOW/BLACK | 277 V | BLACK/YELLOW | B |
| PLD-47 | 1.5 [38.1] | 1.0 [25.4] | CAUTION | YELLOW/BLACK | 277/ 480 V | BLACK/YELLOW | B |
| PLD-52 | 1.5 [38.1] | 1.0 [25.4] | NONE | NONE | | BLACK/YELLOW | B |
| PLD-56 | 1.5 [38.1] | 1.0 [25.4] | NONE | NONE | | BLACK/YELLOW | C |
| PLD-57 | .75 [19.0] CIRCLE | | NONE | NONE | SEE DETAIL "A" | GREEN/WHITE | C |
| PLD-58 | 1.5 [38.1] | 1.0 [25.4] | NONE | NONE | CAUTION SENSITIVE ELECTRONIC DEVICES DO NOT SHIP OR STORE NEAR STRONG ELECTROSTATIC, ELECTROMAGNETIC, MAGNETIC OR RADIOACTIVE FIELDS. | BLACK/YELLOW | B |
| PLD-60 | 3.0 [76.2] | 1.0 [25.4] | NONE | NONE | ATTENTION OBSERVE PRECAUTIONS FOR HANDLING ELECTROSTATIC SENSITIVE DEVICES | BLACK/YELLOW | B |
| PLD-62 | .75 [19.0] CIRCLE | | NONE | NONE | NONE | RED | A |
| PLD-63 | .75 [19.0] CIRCLE | | NONE | NONE | NONE | YELLOW | A |
| PLD-64 | .75 [19.0] CIRCLE | | NONE | NONE | NONE | GREEN | A |
| PLD-67 | 1.5 [38.1] | 1.0 [25.4] | DANGER | WHITE/RED | DANGER (SEE DETAIL "B") HIGH VOLTAGE | RED/WHITE | B |
| PLD-68 | 1.5 [38.1] | 1.0 [25.4] | LOCKOUT | WHITE/RED | BY DATE | RED/WHITE | A |
| PLD-71 | 2.0 [50.8] | 1.0 [25.4] | NONE | NONE | WARNING FOR CONTINUED PROTECTION AGAINST FIRE, REPLACE ONLY WITH SAME TYPE AND RATING OF FUSE | WHITE/BLACK | B |
| PLD-72 | 1.5 [38.1] | 1.0 [25.4] | CAUTION | YELLOW/BLACK | LOCK OUT FOR SAFETY BEFORE YOU START | YELLOW/BLACK | B |
| PLD-74 | 1.5 [38.1] | 1.0 [25.4] | CAUTION | YELLOW/BLACK | HAZARD OF ELECTRIC SHOCK MORE THAN ONE POWER SUPPLY IS REQUIRED TO DE-ENERGIZE THE EQUIPMENT | BLACK/YELLOW | B |

18

| PART NUMBER | MARKER SIZE | | LEGEND | | | | MATERIAL |
|-------------|----------------------|---------------|------------|--------------|---------------------------|------------------|----------|
| | LENGTH | WIDTH | HEADER (2) | HEADER COLOR | MESSAGE | MESS. COLOR | |
| PLD-77 | .75 [19.0] CIRCLE | | NONE | NONE | NONE | WHITE | A |
| PLD-78 | .75 [19.0] CIRCLE | | NONE | NONE | NONE | ORANGE | A |
| PLD-80 | 1.5 [38.1] | 1.0 [25.4] | NONE | NONE | INTRINSICALLY SAFE WIRING | LIGHT BLUE/WHITE | B |
| PLD-81 | 1.5 [38.1] | 1.0 [25.4] | NONE | NONE | SERVICE DISCONNECT | BLACK/WHITE | B |
| PLD-91 | 1.5 [38.1] | 1.0 [25.4] | CAUTION | YELLOW/BLACK | 480V | BLACK/YELLOW | B |

| ITEM NO. | MATERIAL |
|----------|----------|
| A | GMYOL |
| B | GMYOL |
| C | GMY4-W |



2 of 2

| REV | DATE | BY | CHK | DESCRIPTION | ECN | R | CUST | SUP |
|-----|---------|-----|-----|---------------------------------------|------|---|------|-----|
| I | 9/14/10 | RVU | | PDL-56, MATERIAL COLUMN, 'C' WAS 'B'. | 6139 | | | |
| O | 4/7/08 | RVU | | DRAWING RELEASE. | 5387 | | | |

CAD FILENAME/LAYERS 100619KR-DC-C10689/18B

PANDUIT CORP. TINLEY PARK, ILLINOIS

PLD CUSTOMER DRAWING

UNLESS OTHERWISE SPECIFIED, DIMENSIONAL TOLERANCES ARE:
 (.X) ± .075 (.XXX) ± .020
 (.XX) ± .050 ANGLES ± 5°

UNLESS OTHERWISE SPECIFIED, ALL DIMENSIONS ARE GIVEN IN INCHES, THIRD ANGLE PROJECTION.

DRAWN BY RVU MAT'L: POLYESTER

DATE 4/7/08

SCALE NTS

DWG C10689

CHK'D

DWG SIZE A



Компания «ЭлектроПласт» предлагает заключение долгосрочных отношений при поставках импортных электронных компонентов на взаимовыгодных условиях!

Наши преимущества:

- Оперативные поставки широкого спектра электронных компонентов отечественного и импортного производства напрямую от производителей и с крупнейших мировых складов;
- Поставка более 17-ти миллионов наименований электронных компонентов;
- Поставка сложных, дефицитных, либо снятых с производства позиций;
- Оперативные сроки поставки под заказ (от 5 рабочих дней);
- Экспресс доставка в любую точку России;
- Техническая поддержка проекта, помощь в подборе аналогов, поставка прототипов;
- Система менеджмента качества сертифицирована по Международному стандарту ISO 9001;
- Лицензия ФСБ на осуществление работ с использованием сведений, составляющих государственную тайну;
- Поставка специализированных компонентов (Xilinx, Altera, Analog Devices, Intersil, Interpoint, Microsemi, Aeroflex, Peregrine, Syfer, Eurofarad, Texas Instrument, Miteq, Cobham, E2V, MA-COM, Hittite, Mini-Circuits, General Dynamics и др.);

Помимо этого, одним из направлений компании «ЭлектроПласт» является направление «Источники питания». Мы предлагаем Вам помощь Конструкторского отдела:

- Подбор оптимального решения, техническое обоснование при выборе компонента;
- Подбор аналогов;
- Консультации по применению компонента;
- Поставка образцов и прототипов;
- Техническая поддержка проекта;
- Защита от снятия компонента с производства.



Как с нами связаться

Телефон: 8 (812) 309 58 32 (многоканальный)

Факс: 8 (812) 320-02-42

Электронная почта: org@eplast1.ru

Адрес: 198099, г. Санкт-Петербург, ул. Калинина, дом 2, корпус 4, литера А.