

DATA SHEET

SC Series: MIS Chip Capacitors

Applications

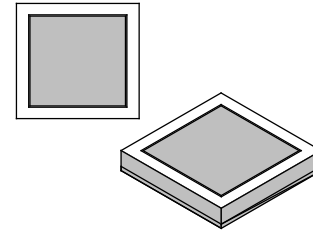
- Systems requiring DC blocking or RF bypassing
- Fixed capacitance tuning element in filters, oscillators, and matching networks

Features

- Readily available from stock
- High reliability silicon oxide-nitride dielectric
- Low loss: typically 0.04 dB in a 50 Ω system
- Operation through 26 GHz
- Wide temperature operation



Skyworks Green™ products are compliant with all applicable legislation and are halogen-free. For additional information, refer to *Skyworks Definition of Green™*, document number SQ04-0074.



Description

Skyworks Metal Insulator Silicon (MIS) chip capacitors are available in a wide range of sizes and capacitance values. The devices have a dielectric composed of thermally grown silicon dioxide over which a layer of silicon nitride is deposited. This dielectric has a low temperature coefficient of capacitance and very high insulation resistance.

The MIS chip capacitors also exhibit excellent long-term stability, which makes them suitable for high-reliability applications. The capacitors have a high dielectric breakdown, which permits the use of thin dielectrics resulting in large capacitance per unit area.

The temperature coefficient is less than 50 ppm/°C, allowing the capacitors to operate from -65 °C up to 200 °C. Compared to ceramic capacitors, Skyworks MIS chip capacitors offer higher Q and an insertion loss of 0.04 dB in a 50 Ω system. Insulation resistance is greater than 10⁵ M Ω .

To accommodate high volume, automated assembly methods, wafers can be supplied on expanded film frames. To reduce cost, chips can be supplied packaged in vials with sample testing only. Packaging in waffle packs with 100 percent electrical testing and visual inspection is also available.

Table 1. MIS Capacitors Absolute Maximum Ratings

Parameter	Symbol	Minimum	Typical	Maximum	Units
Dielectric withstand voltage			100		V
Operating temperature	T _{OP}	-65		+200	°C
Storage temperature	T _{STG}	-65		+200	°C

Note: Exposure to maximum rating conditions for extended periods may reduce device reliability. There is no damage to device with only one parameter set at the limit and all other parameters set at or below their nominal value.

CAUTION: Although this device is designed to be as robust as possible, Electrostatic Discharge (ESD) can damage this device. This device must be protected at all times from ESD. Static charges may easily produce potentials of several kilovolts on the human body or equipment, which can discharge without detection. Industry-standard ESD precautions should be used at all times.

Table 2. MIS Chip Capacitors Electrical Specifications (Note 1)

Parameter	Symbol	Test Condition	Min	Typical	Max	Units
Capacitance			0.8		1000	pF
Temperature coefficient				50		ppm/°C
Capacitance tolerance			-20		+20	%
Operating temperature	T _{OP}		-65		+200	°C
Dielectric withstand voltage				100		V
Insulation resistance				10 ⁵		MΩ
Leakage current				<1		nA

Note 1: Performance is guaranteed only under the conditions listed in this Table.

Electrical and Mechanical Specifications

The absolute maximum ratings of the MIS chip capacitors are provided in Table 1. Electrical specifications are provided in Table 2.

A graph of typical insertion loss versus frequency is shown in Figure 1. This data is taken from an actual test circuit with series mounted beam-lead or chip capacitors on a 50 Ω microstrip transmission line. The apparent higher loss at lower frequencies on the lower capacitance units is strictly due to the capacitive reactance of the capacitor.

Table 3 provides a list of the available MIS chip capacitors (by part number) and the capacitance and chip dimensions for each one.

Performance

Tests on typical MIS capacitors at the L and S bands show insertion loss to be 1/2 to 1/3 that of equivalent ceramic type capacitors, without any of the associated resonance problems. Power tests indicate that the only limitation is the actual breakdown voltage of the device.

Figure 2 illustrates the use of MIS capacitors in a typical Single-Pole, Double-Throw (SPDT) circuit.

Package Dimensions

Figure 3 provides a visual representation of the capacitor chip sizes and part markings.

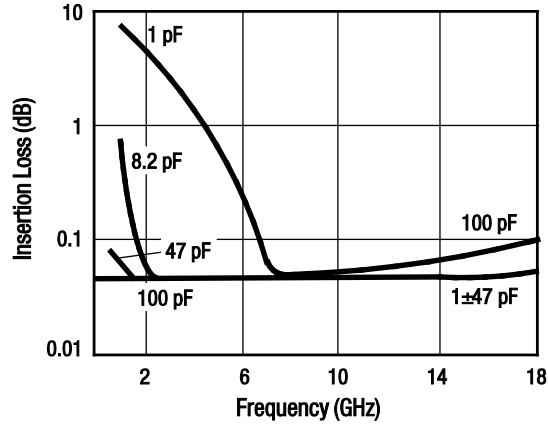


Figure 1. Typical Insertion Loss vs Frequency (50 Ω System)

Table 3. MIS Capacitor Part Numbers

Part Number	Capacitance, ±20% (pF)	Pad/Chip Dimensions (Mils ±1 Mil)	Part Number	Capacitance, ±20% (pF)	Pad/Chip Dimensions (Mils ±1 Mil)
SC00080912	0.8	9/12	SC01001518	10	15/18
SC00120912	1.2	9/12	SC01500912	15	9/12
SC00180912	1.8	9/12	SC01501518	15	15/18
SC00260912	2.6	9/12	SC02201518	22	15/18
SC00380912	3.8	9/12	SC03301518	33	15/18
SC00560912	5.6	9/12	SC04701518	47	15/18
SC00680912	6.8	9/12	SC06801518	68	15/18
SC00820710	8.2	7/10	SC10002430	100	24/30
SC00821518	8.2	15/18	SC33303440	333	34/40
SC01000710	10.0	7/10	SC50004450	500	44/50
SC01000912	10.0	9/12	SC99906068	1000	60/68

Note: Part # structure: SCXXXXYYZZ:
 SC = Silicon Conductor
 XXXX = Capacitance (pF)
 YY = Square contact size (mils), also see Figure 3
 ZZ = Square chip size (mils), also see Figure 3

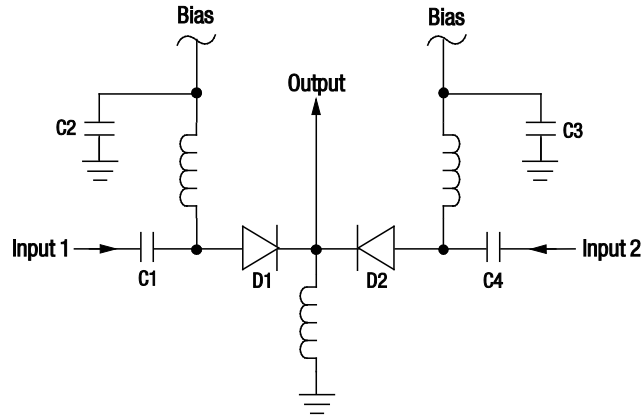


Figure 2. Typical MIS Capacitor Application Circuit

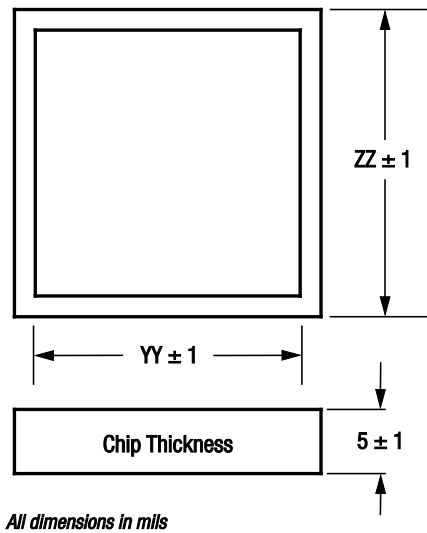


Figure 3. MIS Capacitor Chip Dimensions

Copyright © 2002-2008, 2010, 2011 Skyworks Solutions, Inc. All Rights Reserved.

Information in this document is provided in connection with Skyworks Solutions, Inc. ("Skyworks") products or services. These materials, including the information contained herein, are provided by Skyworks as a service to its customers and may be used for informational purposes only by the customer. Skyworks assumes no responsibility for errors or omissions in these materials or the information contained herein. Skyworks may change its documentation, products, services, specifications or product descriptions at any time, without notice. Skyworks makes no commitment to update the materials or information and shall have no responsibility whatsoever for conflicts, incompatibilities, or other difficulties arising from any future changes.

No license, whether express, implied, by estoppel or otherwise, is granted to any intellectual property rights by this document. Skyworks assumes no liability for any materials, products or information provided hereunder, including the sale, distribution, reproduction or use of Skyworks products, information or materials, except as may be provided in Skyworks Terms and Conditions of Sale.

THE MATERIALS, PRODUCTS AND INFORMATION ARE PROVIDED "AS IS" WITHOUT WARRANTY OF ANY KIND, WHETHER EXPRESS, IMPLIED, STATUTORY, OR OTHERWISE, INCLUDING FITNESS FOR A PARTICULAR PURPOSE OR USE, MERCHANTABILITY, PERFORMANCE, QUALITY OR NON-INFRINGEMENT OF ANY INTELLECTUAL PROPERTY RIGHT; ALL SUCH WARRANTIES ARE HEREBY EXPRESSLY DISCLAIMED. SKYWORKS DOES NOT WARRANT THE ACCURACY OR COMPLETENESS OF THE INFORMATION, TEXT, GRAPHICS OR OTHER ITEMS CONTAINED WITHIN THESE MATERIALS. SKYWORKS SHALL NOT BE LIABLE FOR ANY DAMAGES, INCLUDING BUT NOT LIMITED TO ANY SPECIAL, INDIRECT, INCIDENTAL, STATUTORY, OR CONSEQUENTIAL DAMAGES, INCLUDING WITHOUT LIMITATION, LOST REVENUES OR LOST PROFITS THAT MAY RESULT FROM THE USE OF THE MATERIALS OR INFORMATION, WHETHER OR NOT THE RECIPIENT OF MATERIALS HAS BEEN ADVISED OF THE POSSIBILITY OF SUCH DAMAGE.

Skyworks products are not intended for use in medical, lifesaving or life-sustaining applications, or other equipment in which the failure of the Skyworks products could lead to personal injury, death, physical or environmental damage. Skyworks customers using or selling Skyworks products for use in such applications do so at their own risk and agree to fully indemnify Skyworks for any damages resulting from such improper use or sale.

Customers are responsible for their products and applications using Skyworks products, which may deviate from published specifications as a result of design defects, errors, or operation of products outside of published parameters or design specifications. Customers should include design and operating safeguards to minimize these and other risks. Skyworks assumes no liability for applications assistance, customer product design, or damage to any equipment resulting from the use of Skyworks products outside of stated published specifications or parameters.

Skyworks, the Skyworks symbol, and "Breakthrough Simplicity" are trademarks or registered trademarks of Skyworks Solutions, Inc., in the United States and other countries. Third-party brands and names are for identification purposes only, and are the property of their respective owners. Additional information, including relevant terms and conditions, posted at www.skyworksinc.com, are incorporated by reference.



Компания «ЭлектроПласт» предлагает заключение долгосрочных отношений при поставках импортных электронных компонентов на взаимовыгодных условиях!

Наши преимущества:

- Оперативные поставки широкого спектра электронных компонентов отечественного и импортного производства напрямую от производителей и с крупнейших мировых складов;
- Поставка более 17-ти миллионов наименований электронных компонентов;
- Поставка сложных, дефицитных, либо снятых с производства позиций;
- Оперативные сроки поставки под заказ (от 5 рабочих дней);
- Экспресс доставка в любую точку России;
- Техническая поддержка проекта, помощь в подборе аналогов, поставка прототипов;
- Система менеджмента качества сертифицирована по Международному стандарту ISO 9001;
- Лицензия ФСБ на осуществление работ с использованием сведений, составляющих государственную тайну;
- Поставка специализированных компонентов (Xilinx, Altera, Analog Devices, Intersil, Interpoint, Microsemi, Aeroflex, Peregrine, Syfer, Eurofarad, Texas Instrument, Miteq, Cobham, E2V, MA-COM, Hittite, Mini-Circuits, General Dynamics и др.);

Помимо этого, одним из направлений компании «ЭлектроПласт» является направление «Источники питания». Мы предлагаем Вам помощь Конструкторского отдела:

- Подбор оптимального решения, техническое обоснование при выборе компонента;
- Подбор аналогов;
- Консультации по применению компонента;
- Поставка образцов и прототипов;
- Техническая поддержка проекта;
- Защита от снятия компонента с производства.



Как с нами связаться

Телефон: 8 (812) 309 58 32 (многоканальный)

Факс: 8 (812) 320-02-42

Электронная почта: org@eplast1.ru

Адрес: 198099, г. Санкт-Петербург, ул. Калинина, дом 2, корпус 4, литера А.