

Four Output Differential Buffer for PCIe Gen 1 and Gen 2

ICS9DB403D

Description

The ICS9DB403 is compatible with the Intel DB400v2 Differential Buffer Specification. This buffer provides 4 PCI-Express Gen2 clocks. The ICS9DB403 is driven by a differential output pair from a CK410B+, CK505 or CK509B main clock generator.

Output Features

- 4 - 0.7V current-mode differential output pairs
- Supports zero delay buffer mode and fanout mode
- Bandwidth programming available
- 50-100 MHz operation in PLL mode
- 50-400 MHz operation in Bypass mode

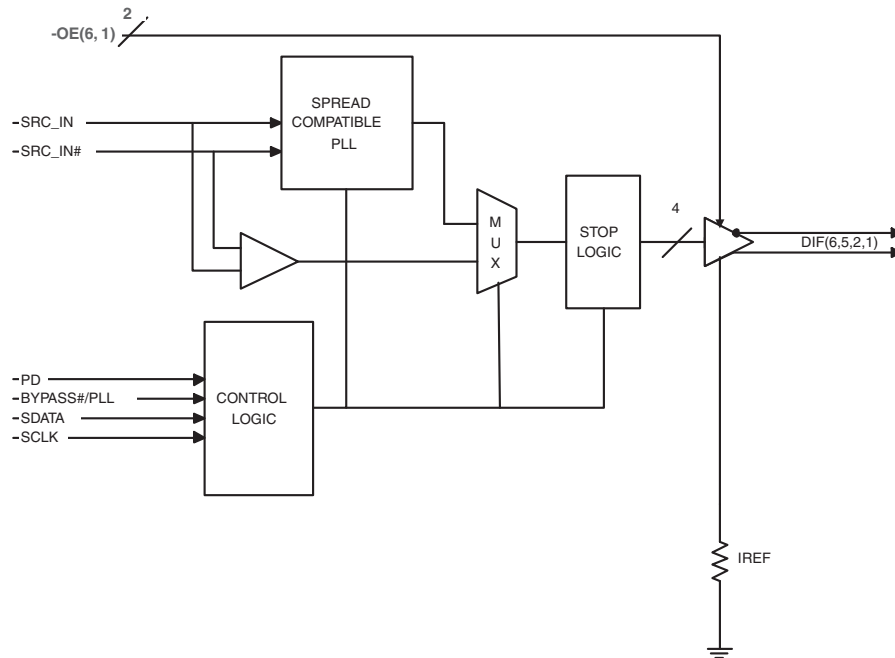
Features/Benefits

- Spread spectrum modulation tolerant, 0 to -0.5% down spread and +/- 0.25% center spread.
- Supports undriven differential outputs in PD# and SRC_STOP# modes for power management.

Key Specifications

- Outputs cycle-cycle jitter < 50ps
- Outputs skew: 50ps
- Phase jitter: PCIe Gen1 < 86ps peak to peak
- Phase jitter: PCIe Gen2 < 3.0/3.1ps rms
- 28-pin SSOP/TSSOP package
- Available in RoHS compliant packaging
- Supports Commercial (0 to +70°C) and Industrial (-40 to +85°C) temperature ranges

Functional Block Diagram



Note: Polarities shown for OE_INV = 0.

Pin Configuration

| | | | | |
|-------------|----|---|----|-----------|
| VDDR | 1 | ICS9DB403D (same as ICS9DB104) | 28 | VDDA |
| SRC_IN | 2 | | 27 | GNDA |
| SRC_IN# | 3 | | 26 | IREF |
| GND | 4 | | 25 | OE_INV |
| VDD | 5 | | 24 | VDD |
| DIF_1 | 6 | | 23 | DIF_6 |
| DIF_1# | 7 | | 22 | DIF_6# |
| OE_1 | 8 | | 21 | OE_6 |
| DIF_2 | 9 | | 20 | DIF_5 |
| DIF_2# | 10 | | 19 | DIF_5# |
| VDD | 11 | | 18 | VDD |
| BYPASS#/PLL | 12 | | 17 | HIGH_BW# |
| SCLK | 13 | | 16 | DIF_STOP# |
| SDATA | 14 | | 15 | PD# |

OE_INV = 0

| | | | | |
|-------------|----|---|----|-----------------|
| VDDR | 1 | ICS9DB403D (same as ICS9DB401) | 28 | VDDA |
| SRC_IN | 2 | | 27 | GNDA |
| SRC_IN# | 3 | | 26 | IREF |
| GND | 4 | | 25 | OE_INV |
| VDD | 5 | | 24 | VDD |
| DIF_1 | 6 | | 23 | DIF_6 |
| DIF_1# | 7 | | 22 | DIF_6# |
| OE1# | 8 | | 21 | OE6# |
| DIF_2 | 9 | | 20 | DIF_5 |
| DIF_2# | 10 | | 19 | DIF_5# |
| VDD | 11 | | 18 | VDD |
| BYPASS#/PLL | 12 | | 17 | HIGH_BW# |
| SCLK | 13 | | 16 | DIF_STOP |
| SDATA | 14 | | 15 | PD |

OE_INV = 1

28-pin SSOP & TSSOP

Polarity Inversion Pin List Table

| Pins | OE_INV | |
|------|-----------|----------|
| | 0 | 1 |
| 8 | OE_1 | OE1# |
| 15 | PD# | PD |
| 16 | DIF_STOP# | DIF_STOP |
| 21 | OE_6 | OE6# |

Power Groups

| Pin Number | | Description |
|---------------|-----|-------------------------------|
| VDD | GND | |
| 1 | 4 | SRC_IN/SRC_IN# |
| 5, 11, 18, 24 | 4 | DIF(1,2,5,6) |
| N/A | 27 | IREF |
| 28 | 27 | Analog VDD & GND for PLL core |

Pin Description When OE_INV = 0

| PIN # | PIN NAME | PIN TYPE | DESCRIPTION |
|-------|-------------|----------|---|
| 1 | VDDR | PWR | 3.3V power for differential input clock (receiver). This VDD should be treated as an analog power rail and filtered appropriately. |
| 2 | SRC_IN | IN | 0.7 V Differential SRC TRUE input |
| 3 | SRC_IN# | IN | 0.7 V Differential SRC COMPLEMENTARY input |
| 4 | GND | PWR | Ground pin. |
| 5 | VDD | PWR | Power supply, nominal 3.3V |
| 6 | DIF_1 | OUT | 0.7V differential true clock output |
| 7 | DIF_1# | OUT | 0.7V differential Complementary clock output |
| 8 | OE_1 | IN | Active high input for enabling output 1. 0 =disable outputs, 1= enable outputs |
| 9 | DIF_2 | OUT | 0.7V differential true clock output |
| 10 | DIF_2# | OUT | 0.7V differential Complementary clock output |
| 11 | VDD | PWR | Power supply, nominal 3.3V |
| 12 | BYPASS#/PLL | IN | Input to select Bypass(fan-out) or PLL (ZDB) mode 0 = Bypass mode, 1= PLL mode |
| 13 | SCLK | IN | Clock pin of SMBus circuitry, 5V tolerant. |
| 14 | SDATA | I/O | Data pin for SMBus circuitry, 5V tolerant. |
| 15 | PD# | IN | Asynchronous active low input pin used to power down the device. The internal clocks are disabled and the VCO and the crystal osc. (if any) are stopped. |
| 16 | DIF_STOP# | IN | Active low input to stop differential output clocks. |
| 17 | HIGH_BW# | IN | 3.3V input for selecting PLL Band Width 0 = High, 1= Low |
| 18 | VDD | PWR | Power supply, nominal 3.3V |
| 19 | DIF_5# | OUT | 0.7V differential Complementary clock output |
| 20 | DIF_5 | OUT | 0.7V differential true clock output |
| 21 | OE_6 | IN | Active high input for enabling output 6. 0 =disable outputs, 1= enable outputs |
| 22 | DIF_6# | OUT | 0.7V differential Complementary clock output |
| 23 | DIF_6 | OUT | 0.7V differential true clock output |
| 24 | VDD | PWR | Power supply, nominal 3.3V |
| 25 | OE_INV | IN | This latched input selects the polarity of the OE pins. 0 = OE pins active high, 1 = OE pins active low (OE#) |
| 26 | IREF | OUT | This pin establishes the reference for the differential current-mode output pairs. It requires a fixed precision resistor to ground. 475ohm is the standard value for 100ohm differential impedance. Other impedances require different values. See data sheet. |
| 27 | GND_A | PWR | Ground pin for the PLL core. |
| 28 | VDD_A | PWR | 3.3V power for the PLL core. |

Pin Description When OE_INV = 1

| PIN # | PIN NAME | PIN TYPE | DESCRIPTION |
|-------|-------------|----------|---|
| 1 | VDDR | PWR | 3.3V power for differential input clock (receiver). This VDD should be treated as an analog power rail and filtered appropriately. |
| 2 | SRC_IN | IN | 0.7 V Differential SRC TRUE input |
| 3 | SRC_IN# | IN | 0.7 V Differential SRC COMPLEMENTARY input |
| 4 | GND | PWR | Ground pin. |
| 5 | VDD | PWR | Power supply, nominal 3.3V |
| 6 | DIF_1 | OUT | 0.7V differential true clock output |
| 7 | DIF_1# | OUT | 0.7V differential Complementary clock output |
| 8 | OE1# | IN | Active low input for enabling DIF pair 1. 1 =disable outputs, 0 = enable outputs |
| 9 | DIF_2 | OUT | 0.7V differential true clock output |
| 10 | DIF_2# | OUT | 0.7V differential Complementary clock output |
| 11 | VDD | PWR | Power supply, nominal 3.3V |
| 12 | BYPASS#/PLL | IN | Input to select Bypass(fan-out) or PLL (ZDB) mode 0 = Bypass mode, 1= PLL mode |
| 13 | SCLK | IN | Clock pin of SMBus circuitry, 5V tolerant. |
| 14 | SDATA | I/O | Data pin for SMBus circuitry, 5V tolerant. |
| 15 | PD | IN | Asynchronous active high input pin used to power down the device. The internal clocks are disabled and the VCO is stopped. |
| 16 | DIF_STOP | IN | Active High input to stop differential output clocks. |
| 17 | HIGH_BW# | IN | 3.3V input for selecting PLL Band Width 0 = High, 1= Low |
| 18 | VDD | PWR | Power supply, nominal 3.3V |
| 19 | DIF_5# | OUT | 0.7V differential Complementary clock output |
| 20 | DIF_5 | OUT | 0.7V differential true clock output |
| 21 | OE6# | IN | Active low input for enabling DIF pair 6. 1 =disable outputs, 0 = enable outputs |
| 22 | DIF_6# | OUT | 0.7V differential Complementary clock output |
| 23 | DIF_6 | OUT | 0.7V differential true clock output |
| 24 | VDD | PWR | Power supply, nominal 3.3V |
| 25 | OE_INV | IN | This latched input selects the polarity of the OE pins. 0 = OE pins active high, 1 = OE pins active low (OE#) |
| 26 | IREF | OUT | This pin establishes the reference for the differential current-mode output pairs. It requires a fixed precision resistor to ground. 475ohm is the standard value for 100ohm differential impedance. Other impedances require different values. See data sheet. |
| 27 | GND_A | PWR | Ground pin for the PLL core. |
| 28 | VDD_A | PWR | 3.3V power for the PLL core. |

Absolute Max

| Symbol | Parameter | Min | Max | Units |
|----------------------|--|---------|-----------------------|-------|
| VDDA/R | 3.3V Core Supply Voltage | | 4.6 | V |
| VDD | 3.3V Logic Supply Voltage | | 4.6 | V |
| V _{IL} | Input Low Voltage | GND-0.5 | | V |
| V _{IH} | Input High Voltage | | V _{DD} +0.5V | V |
| T _s | Storage Temperature | -65 | 150 | °C |
| T _{ambient} | Commerical Operating Range | 0 | 70 | °C |
| | Industrial Operating Range | -40 | 85 | °C |
| T _{case} | Case Temperature | | 115 | °C |
| ESD prot | Input ESD protection human body model | 2000 | | V |

Electrical Characteristics - Clock Input Parameters

T_A = T_{ambient} for the desired operating range, Supply Voltage V_{DD} = 3.3 V +/-5%

| PARAMETER | SYMBOL | CONDITIONS | MIN | TYP | MAX | UNITS | NOTES |
|------------------------------------|--------------------|---|-----------------------|-----|------|-------|-------|
| Input High Voltage - DIF_IN | V _{IHDIF} | Differential inputs (single-ended measurement) | 600 | 800 | 1150 | mV | 1 |
| Input Low Voltage - DIF_IN | V _{ILDIF} | Differential inputs (single-ended measurement) | V _{SS} - 300 | 0 | 300 | mV | 1 |
| Input Common Mode Voltage - DIF_IN | V _{COM} | Common Mode Input Voltage | 300 | | 1000 | mV | 1 |
| Input Amplitude - DIF_IN | V _{SWING} | Peak to Peak value (single-ended measurement) | 300 | | 1450 | mV | 1 |
| Input Slew Rate - DIF_IN | dv/dt | Measured differentially | 0.4 | | 8 | V/ns | 1,2 |
| Input Leakage Current | I _{IN} | V _{IN} = V _{DD} , V _{IN} = GND | -5 | | 5 | uA | 1 |
| Input Duty Cycle | d _{tin} | Measurement from differential waveform | 45 | | 55 | % | 1 |
| Input Jitter - Cycle to Cycle | J _{DIFin} | Differential Measurement | 0 | | 125 | ps | 1 |

¹ Guaranteed by design and characterization, not 100% tested in production.

² Slew rate measured through V_{swing} min centered around differential zero

Electrical Characteristics - Input/Supply/Common Output Parameters

T_A = Tambient for the desired operating range, Supply Voltage V_{DD} = 3.3 V +/-5%

| PARAMETER | SYMBOL | CONDITIONS | MIN | TYP | MAX | UNITS | NOTES |
|------------------------------------|-----------------------|---|-----------|--------|-----------------------|--------|-------|
| Input High Voltage | V _{IHSE} | Single Ended Inputs, 3.3 V +/-5% | 2 | | V _{DD} + 0.3 | V | 1 |
| Input Low Voltage | V _{ILSE} | | GND - 0.3 | | 0.8 | V | 1 |
| Input High Current | I _{IHSE} | V _{IN} = V _{DD} | -5 | | 5 | uA | 1 |
| Input Low Current | I _{IL1} | V _{IN} = 0 V; Inputs with no pull-up resistors | -5 | | | uA | 1 |
| | I _{IL2} | V _{IN} = 0 V; Inputs with pull-up resistors | -200 | | | uA | 1 |
| 9DB803 Supply Current | I _{DD3.3OPC} | Full Active, C _L = Full load; Commerical Temp Range | | 175 | 200 | mA | 1 |
| | I _{DD3.3OPI} | Full Active, C _L = Full load; Industrial Temp Range | | 190 | 225 | mA | 1 |
| 9DB803 Powerdown Current | I _{DD3.3PDC} | all diff pairs driven, C-Temp | | 50 | 60 | mA | 1 |
| | | all differential pairs tri-stated, C-Temp | | 4 | 6 | mA | 1 |
| | I _{DD3.3PDI} | all diff pairs driven, I-temp | | 55 | 65 | mA | 1 |
| | | all differential pairs tri-stated, I-temp | | 6 | 8 | mA | 1 |
| 9DB403 Supply Current | I _{DD3.3OPC} | Full Active, C _L = Full load; Commerical Temp Range | | 105 | 125 | mA | 1 |
| | I _{DD3.3OPI} | Full Active, C _L = Full load; Industrial Temp Range | | 115 | 150 | mA | 1 |
| 9DB403 Powerdown Current | I _{DD3.3PDC} | all diff pairs driven, C-Temp | | 25 | 30 | mA | 1 |
| | | all differential pairs tri-stated, C-Temp | | 2 | 3 | mA | 1 |
| | I _{DD3.3PDI} | all diff pairs driven, I-Temp | | 30 | 35 | mA | 1 |
| | | all differential pairs tri-stated, I-Temp | | 3 | 4 | mA | 1 |
| Input Frequency | F _{IPLL} | PCle Mode (Bypass#/PLL= 1) | 50 | 100.00 | 110 | MHz | 1 |
| | F _{I BYPASS} | Bypass Mode ((Bypass#/PLL= 0) | 33 | | 400 | MHz | 1 |
| Pin Inductance | L _{pin} | | | | 7 | nH | 1 |
| Capacitance | C _{IN} | Logic Inputs, except SRC_IN | 1.5 | | 5 | pF | 1 |
| | C _{INSRC_IN} | SRC_IN differential clock inputs | 1.5 | | 2.7 | pF | 1,4 |
| | C _{OUT} | Output pin capacitance | | | 6 | pF | 1 |
| PLL Bandwidth | BW | -3dB point in High BW Mode | 2 | 3 | 4 | MHz | 1 |
| | | -3dB point in Low BW Mode | 0.7 | 1 | 1.4 | MHz | 1 |
| PLL Jitter Peaking | t _{JPEAK} | Peak Pass band Gain | | 1.5 | 2 | dB | 1 |
| Clk Stabilization | T _{STAB} | From V _{DD} Power-Up and after input clock stabilization or de-assertion of PD# to 1st clock | | | 1 | ms | 1,2 |
| Input SS Modulation Frequency | f _{MODIN} | Allowable Frequency (Triangular Modulation) | 30 | | 33 | kHz | 1 |
| OE# Latency | t _{LATOE#} | DIF start after OE# assertion DIF stop after OE# deassertion | 1 | | 3 | cycles | 1,3 |
| Tdrive_SRC_STOP# | t _{DRVSTP} | DIF output enable after SRC_Stop# de-assertion | | | 10 | ns | 1,3 |
| Tdrive_PD# | t _{DRVPD} | DIF output enable after PD# de-assertion | | | 300 | us | 1,3 |
| Tfall | t _F | Fall time of PD# and SRC_STOP# | | | 5 | ns | 1 |
| Trise | t _R | Rise time of PD# and SRC_STOP# | | | 5 | ns | 2 |
| SMBus Voltage | V _{MAX} | Maximum input voltage | | | 5.5 | V | 1 |
| Low-level Output Voltage | V _{OL} | @ I _{PULLUP} | | | 0.4 | V | 1 |
| Current sinking at V _{OL} | I _{PULLUP} | | 4 | | | mA | 1 |
| SCLK/SDATA Clock/Data Rise Time | t _{RSMB} | (Max VIL - 0.15) to (Min VIH + 0.15) | | | 1000 | ns | 1 |
| SCLK/SDATA Clock/Data Fall Time | t _{FSMB} | (Min VIH + 0.15) to (Max VIL - 0.15) | | | 300 | ns | 1 |
| SMBus Operating Frequency | f _{MAXSMB} | Maximum SMBus operating frequency | | | 100 | kHz | 1,5 |

¹Guaranteed by design and characterization, not 100% tested in production.²See timing diagrams for timing requirements.³Time from deassertion until outputs are >200 mV⁴SRC_IN input⁵The differential input clock must be running for the SMBus to be active

Electrical Characteristics - DIF 0.7V Current Mode Differential Pair
 $T_A = T_{\text{ambient}}$; $V_{DD} = 3.3 \text{ V} \pm 5\%$; $C_L = 2\text{pF}$, $R_S = 33\Omega$, $R_P = 49.9\Omega$, $R_{REF} = 475\Omega$

| PARAMETER | SYMBOL | CONDITIONS | MIN | TYP | MAX | UNITS | NOTES |
|---------------------------------|------------------------|--|------|-------------|------|------------|---------|
| Current Source Output Impedance | Z_{o1} | | 3000 | | | Ω | 1 |
| Voltage High | VHigh | Statistical measurement on single ended signal using oscilloscope math function. | 660 | | 850 | mV | 1,2 |
| Voltage Low | VLow | | -150 | | 150 | | 1,2 |
| Max Voltage | Vovs | Measurement on single ended signal using absolute value. | | | 1150 | mV | 1 |
| Min Voltage | Vuds | | -300 | | | | 1 |
| Crossing Voltage (abs) | Vcross(abs) | | 250 | | 550 | mV | 1 |
| Crossing Voltage (var) | d-Vcross | Variation of crossing over all edges | | | 140 | mV | 1 |
| Rise Time | t_r | $V_{OL} = 0.175\text{V}$, $V_{OH} = 0.525\text{V}$ | 175 | | 700 | ps | 1 |
| Fall Time | t_f | $V_{OH} = 0.525\text{V}$ $V_{OL} = 0.175\text{V}$ | 175 | | 700 | ps | 1 |
| Rise Time Variation | d- t_r | | | | 125 | ps | 1 |
| Fall Time Variation | d- t_f | | | | 125 | ps | 1 |
| Duty Cycle | d_{t3} | Measurement from differential waveform | 45 | | 55 | % | 1 |
| Skew, Input to Output | t_{pdBYP} | Bypass Mode, $V_T = 50\%$ | 2500 | | 5000 | ps | 1 |
| | t_{pdPLL} | PLL Mode $V_T = 50\%$ | -250 | | 250 | ps | 1 |
| Skew, Output to Output | t_{sk3} | $V_T = 50\%$ | | | 50 | ps | 1 |
| | | PLL mode | | | 50 | ps | 1,3 |
| Jitter, Cycle to cycle | $t_{j\text{cyc-cyc}}$ | Additive Jitter in Bypass Mode | | | 50 | ps | 1,3 |
| | | | | | | | |
| Jitter, Phase | $t_{j\text{phaseBYP}}$ | PCIe Gen1 phase jitter (Additive in Bypass Mode) | | 7 | 10 | ps (pk2pk) | 1,4,5 |
| | | PCIe Gen 2 Low Band phase jitter (Additive in Bypass Mode) | | 0 | 0.1 | ps (rms) | 1,4,5 |
| | | PCIe Gen 2 High Band phase jitter (Additive in Bypass Mode) | | 0.3 | 0.5 | ps (rms) | 1,4,5 |
| | $t_{j\text{phasePLL}}$ | PCIe Gen 1 phase jitter | | 40 | 86 | ps (pk2pk) | 1,4,5 |
| | | PCIe Gen 2 Low Band phase jitter | | 1.5 | 3 | ps (rms) | 1,4,5 |
| | | PCIe Gen 2 High Band phase jitter | | 2.7/ 2.2 | 3.1 | ps (rms) | 1,4,5,6 |

¹ Guaranteed by design and characterization, not 100% tested in production.

² $I_{REF} = V_{DD}/(3 \times R_R)$. For $R_R = 475\Omega$ (1%), $I_{REF} = 2.32\text{mA}$. $I_{OH} = 6 \times I_{REF}$ and $V_{OH} = 0.7\text{V}$ @ $Z_O = 50\Omega$.

³ Measured from differential waveform

⁴ See <http://www.pcisig.com> for complete specs

⁵ Device driven by 932S421C or equivalent.

⁶ First number is High Bandwidth Mode, second number is Low Bandwidth Mode

Clock Periods Differential Outputs with Spread Spectrum Enabled

| Measurement Window | | 1 Clock | 1us | 0.1s | 0.1s | 0.1s | 1us | 1 Clock | Units | Notes |
|--------------------|---------|-------------------------|-------------------------|-------------------------|----------|-------------------|--------------------|----------|-------|-------|
| Symbol | | Lg- | -SSC | -ppm error | 0ppm | + ppm error | +SSC | Lg+ | | |
| Definition | | Absolute Period | Short-term Average | Long-Term Average | Period | Long-Term Average | Short-term Average | Period | | |
| | | Minimum Absolute Period | Minimum Absolute Period | Minimum Absolute Period | Nominal | Maximum | Maximum | Maximum | | |
| Signal Name | DIF 100 | 9.87400 | 9.99900 | 9.99900 | 10.00000 | 10.00100 | 10.05130 | 10.17630 | ns | 1,2,3 |
| | DIF 133 | 7.41425 | 7.49925 | 7.49925 | 7.50000 | 7.50075 | 7.53845 | 7.62345 | ns | 1,2,4 |
| | DIF 166 | 5.91440 | 5.99940 | 5.99940 | 6.00000 | 6.00060 | 6.03076 | 6.11576 | ns | 1,2,4 |
| | DIF 200 | 4.91450 | 4.99950 | 4.99950 | 5.00000 | 5.00050 | 5.02563 | 5.11063 | ns | 1,2,4 |
| | DIF 266 | 3.66463 | 3.74963 | 3.74963 | 3.75000 | 3.75038 | 3.76922 | 3.85422 | ns | 1,2,4 |
| | DIF 333 | 2.91470 | 2.99970 | 2.99970 | 3.00000 | 3.00030 | 3.01538 | 3.10038 | ns | 1,2,4 |
| | DIF 400 | 2.41475 | 2.49975 | 2.49975 | 2.50000 | 2.50025 | 2.51282 | 2.59782 | ns | 1,2,4 |

Clock Periods Differential Outputs with Spread Spectrum Disabled

| Measurement Window | | 1 Clock | 1us | 0.1s | 0.1s | 0.1s | 1us | 1 Clock | Units | Notes |
|--------------------|---------|-------------------------|-------------------------|-------------------------|----------|-------------------|--------------------|----------|-------|-------|
| Symbol | | Lg- | -SSC | -ppm error | 0ppm | + ppm error | +SSC | Lg+ | | |
| Definition | | Absolute Period | Short-term Average | Long-Term Average | Period | Long-Term Average | Short-term Average | Period | | |
| | | Minimum Absolute Period | Minimum Absolute Period | Minimum Absolute Period | Nominal | Maximum | Maximum | Maximum | | |
| Signal Name | DIF 100 | 9.87400 | | 9.99900 | 10.00000 | 10.00100 | | 10.17630 | ns | 1,2,3 |
| | DIF 133 | 7.41425 | | 7.49925 | 7.50000 | 7.50075 | | 7.62345 | ns | 1,2,4 |
| | DIF 166 | 5.91440 | | 5.99940 | 6.00000 | 6.00060 | | 6.11576 | ns | 1,2,4 |
| | DIF 200 | 4.91450 | | 4.99950 | 5.00000 | 5.00050 | | 5.11063 | ns | 1,2,4 |
| | DIF 266 | 3.66463 | | 3.74963 | 3.75000 | 3.75038 | | 3.85422 | ns | 1,2,4 |
| | DIF 333 | 2.91470 | | 2.99970 | 3.00000 | 3.00030 | | 3.10038 | ns | 1,2,4 |
| | DIF 400 | 2.41475 | | 2.49975 | 2.50000 | 2.50025 | | 2.59782 | ns | 1,2,4 |

¹Guaranteed by design and characterization, not 100% tested in production.

²All Long Term Accuracy specifications are guaranteed with the assumption that the input clock complies with CK409/CK410/CK505 accuracy requirements. The 9DB403/803 itself does not contribute to ppm error.

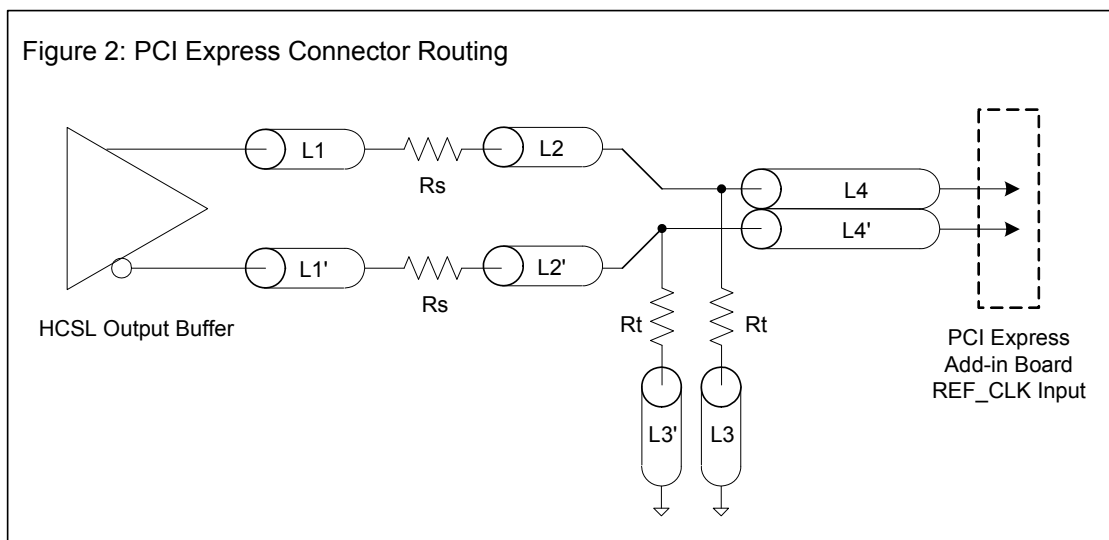
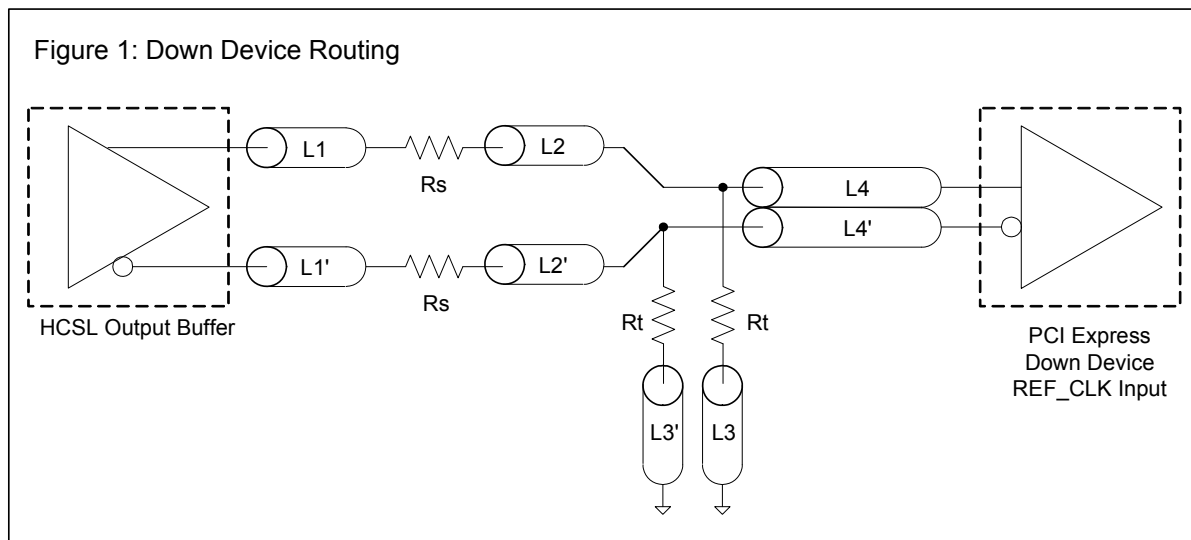
³ Driven by SRC output of main clock, PLL or Bypass mode

⁴ Driven by CPU output of CK410/CK505 main clock, **Bypass mode only**

| SRC Reference Clock | | | |
|---|--------------------|------|--------|
| Common Recommendations for Differential Routing | Dimension or Value | Unit | Figure |
| L1 length, route as non-coupled 50ohm trace | 0.5 max | inch | 1 |
| L2 length, route as non-coupled 50ohm trace | 0.2 max | inch | 1 |
| L3 length, route as non-coupled 50ohm trace | 0.2 max | inch | 1 |
| R_s | 33 | ohm | 1 |
| R_t | 49.9 | ohm | 1 |

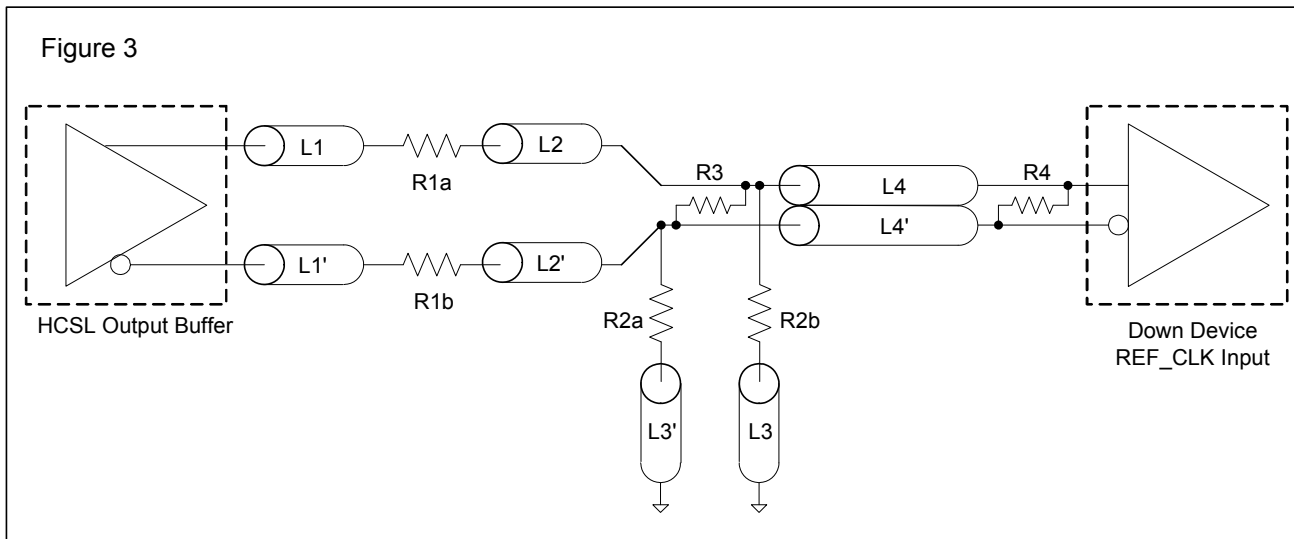
| Down Device Differential Routing | | | |
|--|---------------------|------|---|
| L4 length, route as coupled microstrip 100ohm differential trace | 2 min to 16 max | inch | 1 |
| L4 length, route as coupled stripline 100ohm differential trace | 1.8 min to 14.4 max | inch | 1 |

| Differential Routing to PCI Express Connector | | | |
|--|-----------------------|------|---|
| L4 length, route as coupled microstrip 100ohm differential trace | 0.25 to 14 max | inch | 2 |
| L4 length, route as coupled stripline 100ohm differential trace | 0.225 min to 12.6 max | inch | 2 |

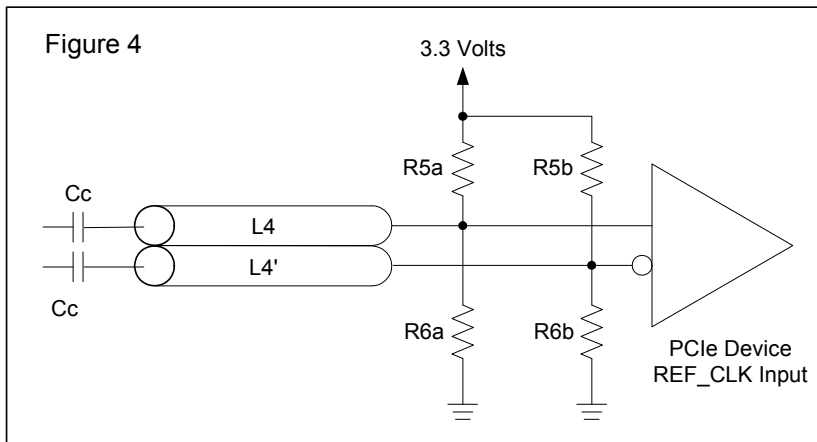


| V _{diff} | V _{p-p} | V _{cm} | R1 | R2 | R3 | R4 | Note |
|-------------------|------------------|-----------------|----|------|------|-----|--------------------------------|
| 0.45v | 0.22v | 1.08 | 33 | 150 | 100 | 100 | |
| 0.58 | 0.28 | 0.6 | 33 | 78.7 | 137 | 100 | |
| 0.80 | 0.40 | 0.6 | 33 | 78.7 | none | 100 | ICS874003i-02 input compatible |
| 0.60 | 0.3 | 1.2 | 33 | 174 | 140 | 100 | Standard LVDS |

R1a = R1b = R1
R2a = R2b = R2



| Component | Value | Note |
|-----------------|-------------|------|
| R5a, R5b | 8.2K 5% | |
| R6a, R6b | 1K 5% | |
| Cc | 0.1 μF | |
| V _{cm} | 0.350 volts | |



General SMBus serial interface information for the ICS9DB403D

How to Write:

- Controller (host) sends a start bit.
- Controller (host) sends the write address DC_(h)
- ICS clock will **acknowledge**
- Controller (host) sends the beginning byte location = N
- ICS clock will **acknowledge**
- Controller (host) sends the data byte count = X
- ICS clock will **acknowledge**
- Controller (host) starts sending **Byte N through Byte N + X - 1**
- ICS clock will **acknowledge** each byte **one at a time**
- Controller (host) sends a Stop bit

How to Read:

- Controller (host) will send start bit.
- Controller (host) sends the write address DC_(h)
- ICS clock will **acknowledge**
- Controller (host) sends the beginning byte location = N
- ICS clock will **acknowledge**
- Controller (host) will send a separate start bit.
- Controller (host) sends the read address DD_(h)
- ICS clock will **acknowledge**
- ICS clock will send the data byte count = X
- ICS clock sends **Byte N + X - 1**
- ICS clock sends **Byte 0 through byte X (if X_(h) was written to byte 8).**
- Controller (host) will need to acknowledge each byte
- Controller (host) will send a not acknowledge bit
- Controller (host) will send a stop bit

| Index Block Write Operation | | |
|---------------------------------|-----------|----------------------|
| Controller (Host) | | ICS (Slave/Receiver) |
| T | starT bit | |
| Slave Address DC _(h) | | |
| WR | WRite | |
| | | ACK |
| Beginning Byte = N | | |
| | | ACK |
| Data Byte Count = X | | |
| | | ACK |
| Beginning Byte N | | X Byte |
| ◊ | | |
| ◊ | | |
| ◊ | | |
| ◊ | | |
| Byte N + X - 1 | | |
| | | ACK |
| P | stoP bit | |

| Index Block Read Operation | | |
|---------------------------------|-----------------|----------------------|
| Controller (Host) | | ICS (Slave/Receiver) |
| T | starT bit | |
| Slave Address DC _(h) | | |
| WR | WRite | |
| | | ACK |
| Beginning Byte = N | | |
| | | ACK |
| RT | Repeat starT | |
| Slave Address DD _(h) | | |
| RD | ReaD | |
| | | ACK |
| | | Data Byte Count = X |
| ACK | | |
| | | X Byte |
| Beginning Byte N | | |
| ◊ | | |
| ◊ | | |
| ◊ | | |
| Byte N + X - 1 | | |
| N | Not acknowledge | |
| P | stoP bit | |

SMBus Table: Frequency Select Register, READ/WRITE ADDRESS (DC/DD)

| Byte 0 | Pin # | Name | Control Function | Type | 0 | 1 | Default |
|--------|-------|-----------|------------------------|------|----------|--------|---------|
| Bit 7 | - | PD_Mode | PD# drive mode | RW | driven | Hi-Z | 0 |
| Bit 6 | - | STOP_Mode | DIF_Stop# drive mode | RW | driven | Hi-Z | 0 |
| Bit 5 | - | Reserved | Reserved | RW | Reserved | | X |
| Bit 4 | - | Reserved | Reserved | RW | Reserved | | X |
| Bit 3 | - | Reserved | Reserved | RW | Reserved | | X |
| Bit 2 | - | PLL_BW# | Select PLL BW | RW | High BW | Low BW | 1 |
| Bit 1 | - | BYPASS# | BYPASS#/PLL | RW | fan-out | ZDB | 1 |
| Bit 0 | - | SRC_DIV# | SRC Divide by 2 Select | RW | x/2 | 1x | 1 |

SMBus Table: Output Control Register

| Byte 1 | Pin # | Name | Control Function | Type | 0 | 1 | Default |
|--------|-------|----------|------------------|------|----------|--------|---------|
| Bit 7 | - | Reserved | Reserved | RW | Reserved | | 1 |
| Bit 6 | 22,23 | DIF_6 | Output Enable | RW | Disable | Enable | 1 |
| Bit 5 | 19,20 | DIF_5 | Output Enable | RW | Disable | Enable | 1 |
| Bit 4 | - | Reserved | Reserved | RW | Reserved | | 1 |
| Bit 3 | - | Reserved | Reserved | RW | Reserved | | 1 |
| Bit 2 | 9,10 | DIF_2 | Output Enable | RW | Disable | Enable | 1 |
| Bit 1 | 6,7 | DIF_1 | Output Enable | RW | Disable | Enable | 1 |
| Bit 0 | - | Reserved | Reserved | RW | Reserved | | 1 |

NOTE: The SMBus Output Enable Bit must be '1' AND the respective OE pin must be active for the output to run!

SMBus Table: OE Pin Control Register

| Byte 2 | Pin # | Name | Control Function | Type | 0 | 1 | Default |
|--------|-------|----------|------------------------------|------|----------|-----------|---------|
| Bit 7 | - | Reserved | Reserved | RW | Reserved | | 0 |
| Bit 6 | 22,23 | DIF_6 | DIF_6 Stoppable with DIFSTOP | RW | Free-run | Stoppable | 0 |
| Bit 5 | 19,20 | DIF_5 | DIF_5 Stoppable with DIFSTOP | RW | Free-run | Stoppable | 0 |
| Bit 4 | - | Reserved | Reserved | RW | Reserved | | 0 |
| Bit 3 | - | Reserved | Reserved | RW | Reserved | | 0 |
| Bit 2 | 9,1 | DIF_2 | DIF_2 Stoppable with DIFSTOP | RW | Free-run | Stoppable | 0 |
| Bit 1 | 6,7 | DIF_1 | DIF_1 Stoppable with DIFSTOP | RW | Free-run | Stoppable | 0 |
| Bit 0 | - | Reserved | Reserved | RW | Reserved | | 0 |

SMBus Table: Reserved Register

| Byte 3 | Pin # | Name | Control Function | Type | 0 | 1 | Default |
|--------|-------|------|------------------|------|---|---|---------|
| Bit 7 | | | Reserved | | | | X |
| Bit 6 | | | Reserved | | | | X |
| Bit 5 | | | Reserved | | | | X |
| Bit 4 | | | Reserved | | | | X |
| Bit 3 | | | Reserved | | | | X |
| Bit 2 | | | Reserved | | | | X |
| Bit 1 | | | Reserved | | | | X |
| Bit 0 | | | Reserved | | | | X |

SMBus Table: Vendor & Revision ID Register

| Byte 4 | Pin # | Name | Control Function | Type | 0 | 1 | Default |
|--------|-------|------|------------------|------|---|---|---------|
| Bit 7 | - | RID3 | REVISION ID | R | - | - | 0 |
| Bit 6 | - | RID2 | | R | - | - | 0 |
| Bit 5 | - | RID1 | | R | - | - | 1 |
| Bit 4 | - | RID0 | | R | - | - | 1 |
| Bit 3 | - | VID3 | VENDOR ID | R | - | - | 0 |
| Bit 2 | - | VID2 | | R | - | - | 0 |
| Bit 1 | - | VID1 | | R | - | - | 0 |
| Bit 0 | - | VID0 | | R | - | - | 1 |

SMBus Table: DEVICE ID

| Byte 5 | Pin # | Name | Control Function | Type | 0 | 1 | Default |
|--------|-------|------|-------------------|------|--|---|---------|
| Bit 7 | - | | Device ID 7 (MSB) | RW | Device ID is 83 Hex for 9DB803 and 43 Hex for 9DB403 | | 0 |
| Bit 6 | - | | Device ID 6 | RW | | | X |
| Bit 5 | - | | Device ID 5 | RW | | | X |
| Bit 4 | - | | Device ID 4 | RW | | | 0 |
| Bit 3 | - | | Device ID 3 | RW | | | 0 |
| Bit 2 | - | | Device ID 2 | RW | | | 0 |
| Bit 1 | - | | Device ID 1 | RW | | | 1 |
| Bit 0 | - | | Device ID 0 | RW | | | 1 |

SMBus Table: Byte Count Register

| Byte 6 | Pin # | Name | Control Function | Type | 0 | 1 | Default |
|--------|-------|------|---|------|---|---|---------|
| Bit 7 | - | BC7 | Writing to this register configures how many bytes will be read back. | RW | - | - | 0 |
| Bit 6 | - | BC6 | | RW | - | - | 0 |
| Bit 5 | - | BC5 | | RW | - | - | 0 |
| Bit 4 | - | BC4 | | RW | - | - | 0 |
| Bit 3 | - | BC3 | | RW | - | - | 0 |
| Bit 2 | - | BC2 | | RW | - | - | 1 |
| Bit 1 | - | BC1 | | RW | - | - | 1 |
| Bit 0 | - | BC0 | | RW | - | - | 1 |

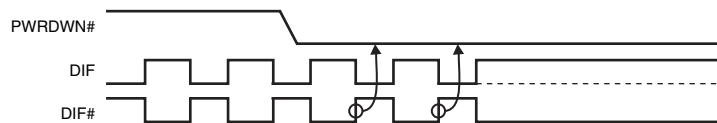
Note: Polarities in timing diagrams are shown OE_INV = 0. They are similar to OE_INV = 1.

PD#, Power Down

The PD# pin cleanly shuts off all clocks and places the device into a power saving mode. PD# must be asserted before shutting off the input clock or power to insure an orderly shutdown. PD is asynchronous active-low input for both powering down the device and powering up the device. When PD# is asserted, all clocks will be driven high, or tri-stated (depending on the PD# drive mode and Output control bits) before the PLL is shut down.

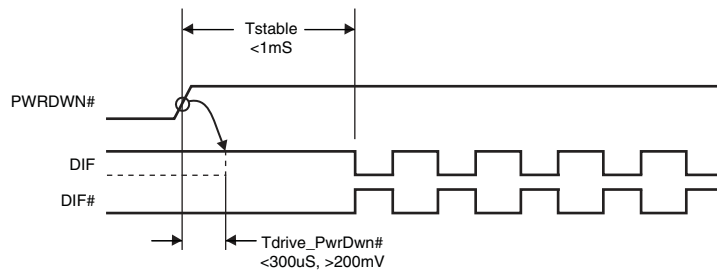
PD# Assertion

When PD# is sampled low by two consecutive rising edges of DIF#, all DIF outputs must be held High, or tri-stated (depending on the PD# drive mode and Output control bits) on the next High-Low transition of the DIF# outputs. When the PD# drive mode bit is set to '0', all clock outputs will be held with DIF driven High with $2 \times I_{REF}$ and DIF# tri-stated. If the PD# drive mode bit is set to '1', both DIF and DIF# are tri-stated.



PD# De-assertion

Power-up latency is less than 1 ms. This is the time from de-assertion of the PD# pin, or VDD reaching 3.3V, or the time from valid SRC_IN clocks until the time that stable clocks are output from the device (PLL Locked). If the PD# drive mode bit is set to '1', all the DIF outputs must driven to a voltage of >200 mV within 300 us of PD# de-assertion.



SRC_STOP#

The SRC_STOP# signal is an active-low asynchronous input that cleanly stops and starts the DIF outputs. A valid clock must be present on SRC_IN for this input to work properly. The SRC_STOP# signal is de-bounced and must remain stable for two consecutive rising edges of DIF# to be recognized as a valid assertion or de-assertion.

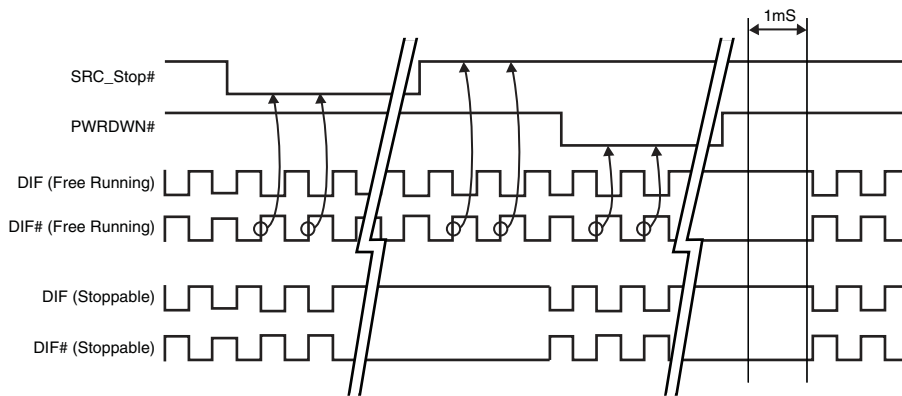
SRC_STOP# - Assertion

Asserting SRC_STOP# causes all DIF outputs to stop after their next transition (if the control register settings allow the output to stop). When the SRC_STOP# drive bit is '0', the final state of all stopped DIF outputs is DIF = High and DIF# = Low. There is no change in output drive current. DIF is driven with 6xI_{REF}. DIF# is not driven, but pulled low by the termination. When the SRC_STOP# drive bit is '1', the final state of all DIF output pins is Low. Both DIF and DIF# are not driven.

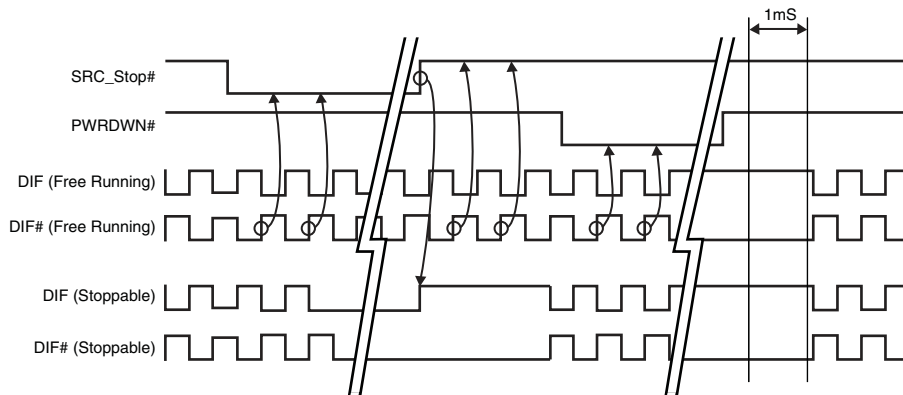
SRC_STOP# - De-assertion (transition from '0' to '1')

All stopped differential outputs resume normal operation in a glitch-free manner. The de-assertion latency to active outputs is 2-6 DIF clock periods, with all DIF outputs resuming simultaneously. If the SRC_STOP# drive control bit is '1' (tri-state), all stopped DIF outputs must be driven High (>200 mV) within 10 ns of de-assertion.

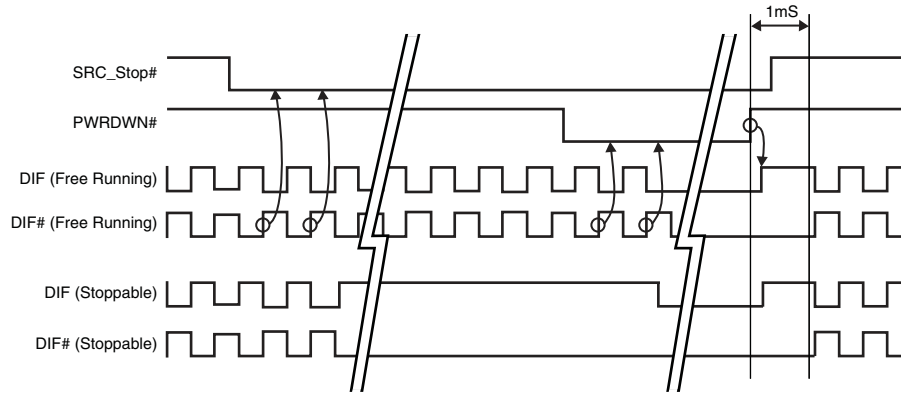
SRC_STOP_1 (SRC_Stop = Driven, PD = Driven)



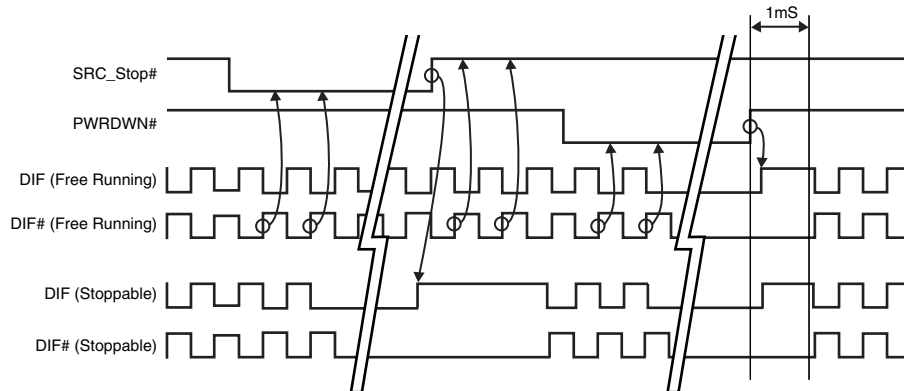
SRC_STOP_2 (SRC_Stop = Tristate, PD = Driven)



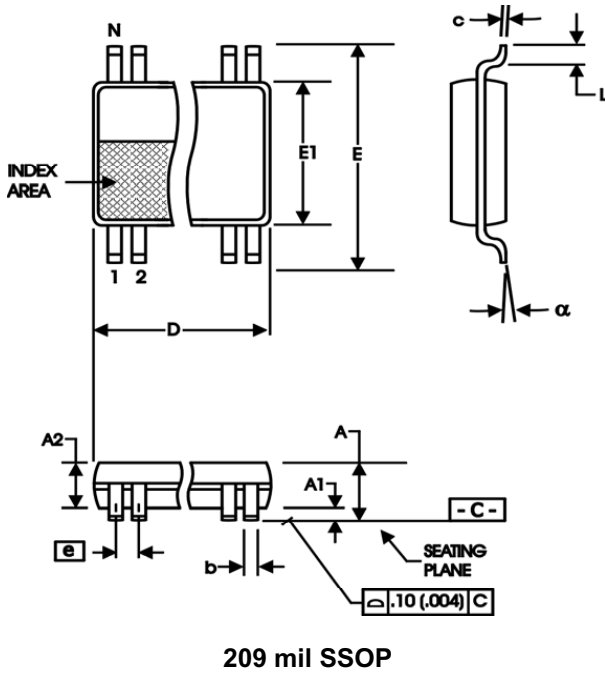
SRC_STOP_3 (SRC_Stop = Driven, PD = Tristate)



SRC_STOP_4 (SRC_Stop = Tristate, PD = Tristate)



28-pin SSOP Package Dimensions



209 mil SSOP

209 mil SSOP

| SYMBOL | In Millimeters COMMON DIMENSIONS | | In Inches COMMON DIMENSIONS | |
|--------|-------------------------------------|------|--------------------------------|------|
| | MIN | MAX | MIN | MAX |
| A | -- | 2.00 | -- | .079 |
| A1 | 0.05 | -- | .002 | -- |
| A2 | 1.65 | 1.85 | .065 | .073 |
| b | 0.22 | 0.38 | .009 | .015 |
| c | 0.09 | 0.25 | .0035 | .010 |
| D | SEE VARIATIONS | | SEE VARIATIONS | |
| E | 7.40 | 8.20 | .291 | .323 |
| E1 | 5.00 | 5.60 | .197 | .220 |
| e | 0.65 BASIC | | 0.0256 BASIC | |
| L | 0.55 | 0.95 | .022 | .037 |
| N | SEE VARIATIONS | | SEE VARIATIONS | |
| alpha | 0° | 8° | 0° | 8° |

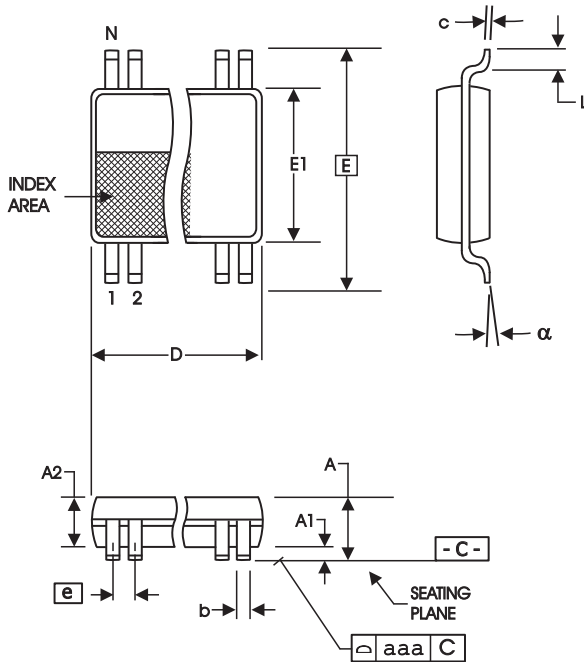
VARIATIONS

| N | D mm. | | D (inch) | |
|----|-------|-------|----------|------|
| | MIN | MAX | MIN | MAX |
| 28 | 9.90 | 10.50 | .390 | .413 |

Reference Doc.: JEDEC Publication 95, MO-150

10-0033

28-pin TSSOP Package Dimensions



4.40 mm. Body, 0.65 mm. Pitch TSSOP
(173 mil) (25.6 mil)

| SYMBOL | In Millimeters COMMON DIMENSIONS | | In Inches COMMON DIMENSIONS | |
|--------|-------------------------------------|------|--------------------------------|------|
| | MIN | MAX | MIN | MAX |
| A | -- | 1.20 | -- | .047 |
| A1 | 0.05 | 0.15 | .002 | .006 |
| A2 | 0.80 | 1.05 | .032 | .041 |
| b | 0.19 | 0.30 | .007 | .012 |
| c | 0.09 | 0.20 | .0035 | .008 |
| D | SEE VARIATIONS | | SEE VARIATIONS | |
| E | 6.40 BASIC | | 0.252 BASIC | |
| E1 | 4.30 | 4.50 | .169 | .177 |
| e | 0.65 BASIC | | 0.0256 BASIC | |
| L | 0.45 | 0.75 | .018 | .030 |
| N | SEE VARIATIONS | | SEE VARIATIONS | |
| alpha | 0° | 8° | 0° | 8° |
| aaa | -- | 0.10 | -- | .004 |

VARIATIONS

| N | D mm. | | D (inch) | |
|----|-------|------|----------|------|
| | MIN | MAX | MIN | MAX |
| 28 | 9.60 | 9.80 | .378 | .386 |

Reference Doc.: JEDEC Publication 95, MO-153

10-0035

Ordering Information

| Part / Order Number | Marking | Shipping Packaging | Package | Temperature |
|---------------------|-------------|--------------------|--------------|---------------|
| 9DB403DGLF | 9DB403DGLF | Tubes | 28-pin TSSOP | 0 to +70° C |
| 9DB403DGLFT | 9DB403DGLF | Tape and Reel | 28-pin TSSOP | 0 to +70° C |
| 9DB403DGILF | 9DB403DGILF | Tubes | 28-pin TSSOP | -40 to +85° C |
| 9DB403DGILFT | 9DB403DGILF | Tape and Reel | 28-pin TSSOP | -40 to +85° C |
| 9DB403DFLF | 9DB403DFLF | Tubes | 28-pin SSOP | 0 to +70° C |
| 9DB403DFLFT | 9DB403DFLF | Tape and Reel | 28-pin SSOP | 0 to +70° C |
| 9DB403DFILF | 9DB403DFILF | Tubes | 28-pin SSOP | -40 to +85° C |
| 9DB403DFILFT | 9DB403DFILF | Tape and Reel | 28-pin SSOP | -40 to +85° C |

"LF" denotes Pb-free package, RoHS compliant

"D" is the revision designator (will not correlate to datasheet revision)

Revision History

| Rev. | Issue Date | Description | Page # |
|------|------------|--|---------|
| I | 11/26/2008 | Updated SMBus table - Byte0:Byte3. | 11 |
| J | 2/6/2009 | Added Industrial temp. specs and ordering information. | Various |
| K | 7/13/2009 | Updated general description and block diagram | 1 |
| L | 10/7/2009 | 1. Clarified that Vih and Vil values were for Single ended inputs 2. Added separate Idd values for the 9DB403 3. Added Differential Clock input parameters. | Various |
| M | 1/27/2011 | Updated Termination Figure 4 | 10 |
| N | 5/6/2011 | 1. Update pin 1 pin-name and pin description from VDD to VDDR. This highlights that optimal performance is obtained by treating VDDR as in analog pin. This is a document update only, there is no silicon change. | Various |
| P | 8/27/2012 | Updated Vswing conditions to include "single-ended measurement" | 5 |
| Q | 9/18/2012 | Updated Byte 2, bits 1, 2, 5 and 6 per char review. Outputs can be programmed with Byte 2 to be Stoppable or Free-Run with DIF_Stop pin, not the OE pins. | 12 |
| R | 11/1/2012 | Updated Input-to-Output Skew max value (Bypass Mode condition only) from 4500ps to 5000ps per latest characterization data. | 7 |

Innovate with IDT and accelerate your future networks. Contact:

www.IDT.com

For Sales

800-345-7015
408-284-8200
Fax: 408-284-2775

For Tech Support

408-284-6578
pcclockhelp@idt.com

Corporate Headquarters

Integrated Device Technology, Inc.
6024 Silver Creek Valley Road
San Jose, CA 95138
United States
800 345 7015
+408 284 8200 (outside U.S.)

Asia Pacific and Japan

Integrated Device Technology
Singapore (1997) Pte. Ltd.
Reg. No. 199707558G
435 Orchard Road
#20-03 Wisma Atria
Singapore 238877
+65 6 887 5505

Europe

IDT Europe, Limited
Prime House
Barnett Wood Lane
Leatherhead, Surrey
United Kingdom KT22 7DE
+44 1372 363 339



www.IDT.com

© 2006 Integrated Device Technology, Inc. All rights reserved. Product specifications subject to change without notice. IDT and the IDT logo are trademarks of Integrated Device Technology, Inc. Accelerated Thinking is a service mark of Integrated Device Technology, Inc. All other brands, product names and marks are or may be trademarks or registered trademarks used to identify products or services of their respective owners.
Printed in USA



Компания «ЭлектроПласт» предлагает заключение долгосрочных отношений при поставках импортных электронных компонентов на взаимовыгодных условиях!

Наши преимущества:

- Оперативные поставки широкого спектра электронных компонентов отечественного и импортного производства напрямую от производителей и с крупнейших мировых складов;
- Поставка более 17-ти миллионов наименований электронных компонентов;
- Поставка сложных, дефицитных, либо снятых с производства позиций;
- Оперативные сроки поставки под заказ (от 5 рабочих дней);
- Экспресс доставка в любую точку России;
- Техническая поддержка проекта, помощь в подборе аналогов, поставка прототипов;
- Система менеджмента качества сертифицирована по Международному стандарту ISO 9001;
- Лицензия ФСБ на осуществление работ с использованием сведений, составляющих государственную тайну;
- Поставка специализированных компонентов (Xilinx, Altera, Analog Devices, Intersil, Interpoint, Microsemi, Aeroflex, Peregrine, Syfer, Eurofarad, Texas Instrument, Miteq, Cobham, E2V, MA-COM, Hittite, Mini-Circuits, General Dynamics и др.);

Помимо этого, одним из направлений компании «ЭлектроПласт» является направление «Источники питания». Мы предлагаем Вам помощь Конструкторского отдела:

- Подбор оптимального решения, техническое обоснование при выборе компонента;
- Подбор аналогов;
- Консультации по применению компонента;
- Поставка образцов и прототипов;
- Техническая поддержка проекта;
- Защита от снятия компонента с производства.



Как с нами связаться

Телефон: 8 (812) 309 58 32 (многоканальный)

Факс: 8 (812) 320-02-42

Электронная почта: org@eplast1.ru

Адрес: 198099, г. Санкт-Петербург, ул. Калинина, дом 2, корпус 4, литера А.