

PLEASE CHECK WWW.MOLEX.COM FOR LATEST PART INFORMATION

Part Number: [0736441116](#)
Status: **Active**
Overview: [hdm](#)
Description: 2.00mm (.079") Pitch HDM® Board-to-Board Backplane Header, Vertical, SMC, Press-Fit, Guide Post Location B, Polarizing Key Position N/A, 144 Circuits

Documents:

[Drawing \(PDF\)](#) [RoHS Certificate of Compliance \(PDF\)](#)

Agency Certification

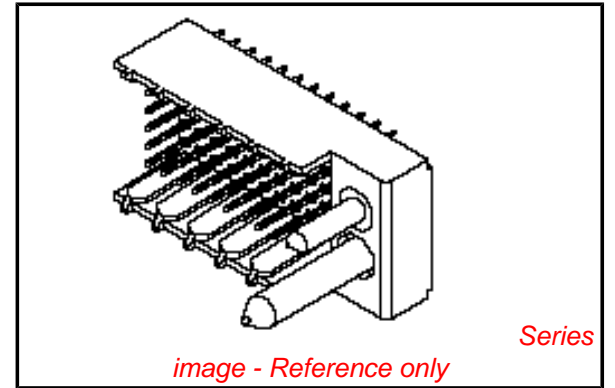
CSA LR19980
 UL E29179

General

Product Family Backplane Connectors
 Series [73644](#)
 Application Backplane
 Comments Standard Press-Fit
 Component Type PCB Header
 Overview [hdm](#)
 Product Name HDM®
 Style N/A

Physical

Circuits (Loaded) 144
 Circuits (maximum) 144
 Color - Resin Black, Natural
 Durability (mating cycles max) 250
 First Mate / Last Break No
 Flammability 94V-0
 Guide to Mating Part Yes
 Keying to Mating Part None
 Material - Metal Phosphor Bronze, Stainless Steel
 Material - Plating Mating Gold
 Material - Plating Termination Gold
 Material - Resin High Temperature Thermoplastic
 Number of Columns 24
 Number of Pairs Open Pin Field
 Number of Rows 6
 Orientation Vertical
 PC Tail Length (in) 0.138 In
 PC Tail Length (mm) 3.50 mm
 PCB Locator No
 PCB Retention Yes
 PCB Thickness Recommended (in) 0.098 In
 PCB Thickness Recommended (mm) 2.50 mm
 Packaging Type Tube
 Pitch - Mating Interface (in) 0.079 In
 Pitch - Mating Interface (mm) 2.00 mm
 Pitch - Term. Interface (in) 0.079 In
 Pitch - Term. Interface (mm) 2.00 mm
 Plating min: Mating (µin) 30
 Plating min: Mating (µm) 0.75
 Plating min: Termination (µin) 2
 Plating min: Termination (µm) 0.05
 Polarized to PCB No



EU RoHS

**ELV and RoHS
 Compliant
 REACH SVHC
 Not Reviewed
 Halogen-Free
 Status
 Not Reviewed**

China RoHS



Need more information on product environmental compliance?

Email productcompliance@molex.com
 For a multiple part number RoHS Certificate of Compliance, [click here](#)

Please visit the [Contact Us](#) section for any non-product compliance questions.

Search Parts in this Series

[73644Series](#)

Mates With

[73632 HDM PLUS® Board-to-Board Daughtercard Receptacle](#). [73780 HDM® Board-to-Board Daughtercard Receptacle](#)

Application Tooling | FAQ

Tooling specifications and manuals are found by selecting the products below. Crimp Height Specifications are then contained in the Application Tooling Specification document.

Global

| Description | Product # |
|---|----------------------------|
| Flat Rock Tooling for Pneumatic Press | 0622013700 |
| HDM® Backplane Insertion Signal Contact Tool | 0621001400 |
| HDM® Backplane Insertion Head for 144 Positions | 0622005703 |

| | |
|--------------------------------|------------------------------|
| Stackable | No |
| Surface Mount Compatible (SMC) | Yes |
| Temperature Range - Operating | -55°C to +105°C |
| Termination Interface: Style | Through Hole - Compliant Pin |

| | |
|-----------------|------------|
| Extraction Tool | 0621001000 |
|-----------------|------------|

Electrical

| | |
|-------------------------------|----------|
| Current - Maximum per Contact | 1A |
| Data Rate | 1.0 Gbps |
| Real Signals (per 25mm) | 75 |
| Shielded | No |
| Voltage - Maximum | 250V AC |

Material Info

Reference - Drawing Numbers

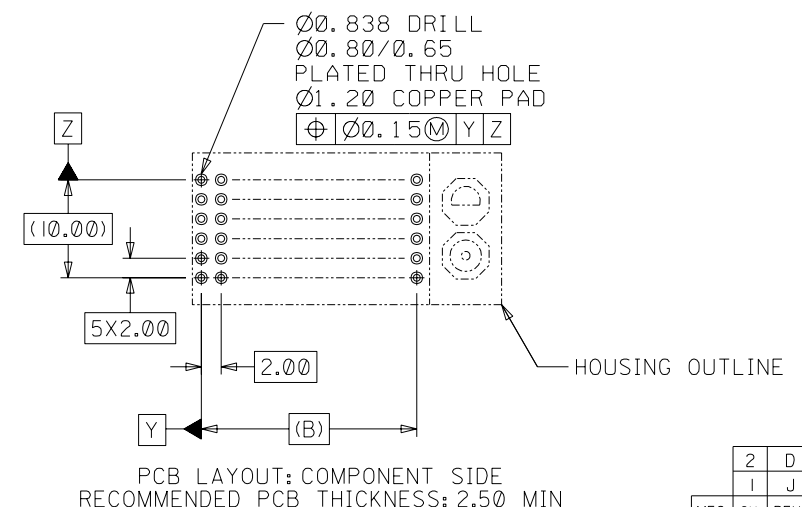
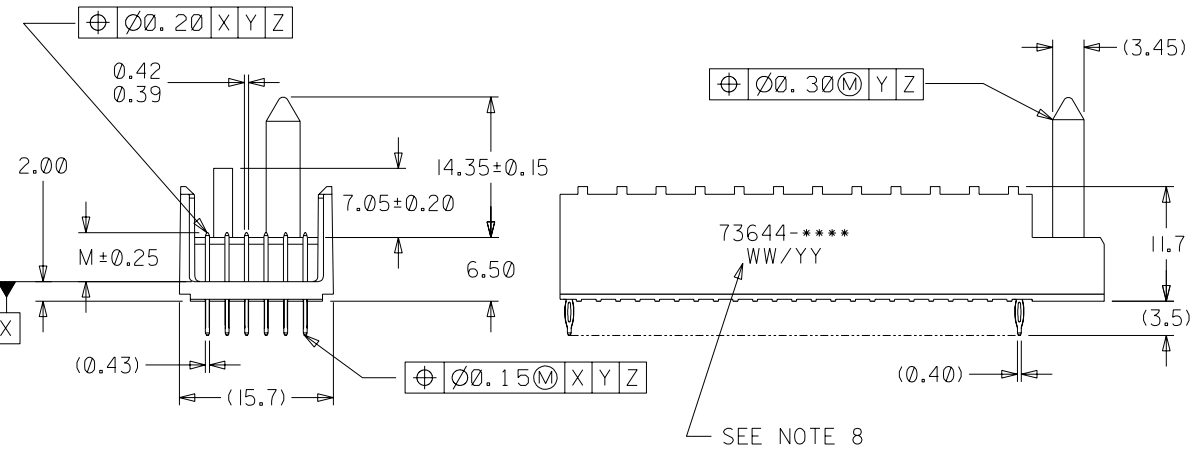
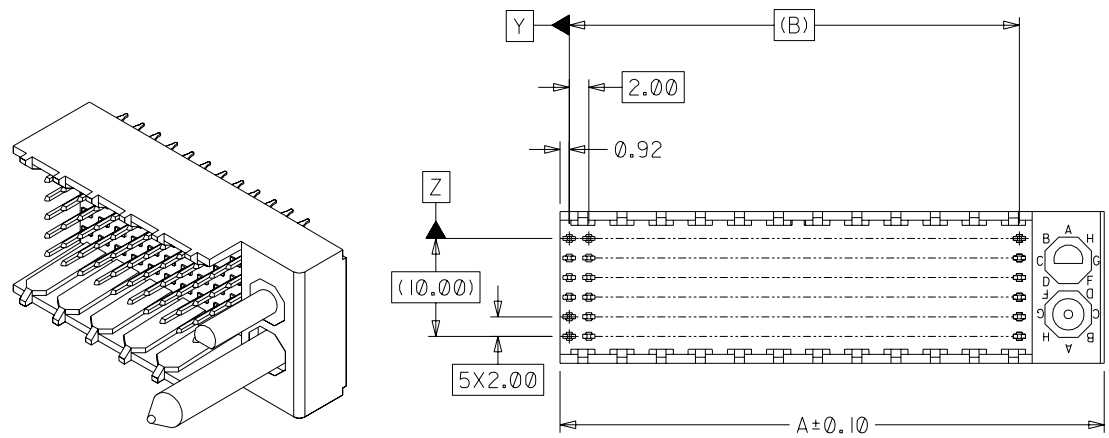
| | |
|-------------------------|----------------|
| Packaging Specification | PK-70873-0818 |
| Sales Drawing | SDA-73644-**** |

HDM and High Density Metric are trademarks of Amphenol Corporation

This document was generated on 05/14/2010

PLEASE CHECK WWW.MOLEX.COM FOR LATEST PART INFORMATION

- NOTES:**
1. MATERIALS: HOUSING - LIQUID CRYSTAL POLYMER (LCP), GLASS-FILLED, UL94V-0, COLOR: BLACK, TERMINAL - PHOSPHOR BRONZE.
 2. FINISHES: SELECTIVE GOLD (Au) IN CONTACT AREA, 0.00076mm MINIMUM THICKNESS; NICKEL (Ni) AND GOLD FLASH OVERALL SELECTIVE GOLD (Au) IN CONTACT AREA, 0.00076mm MIN. THICKNESS; SELECTIVE TIN/LEAD (Sb/Pb) IN TAIL AREA; NICKEL (Ni) OVERALL.
 3. THIS PART CONFORMS TO MOLEX PRODUCT SPECIFICATION PS-73670-9999.
 4. FOR MIXED CONTACT MATING LENGTHS, CONSULT FACTORY FOR AVAILABILITY.
 5. DIMENSIONS ARE IN MILLIMETERS.
 6. FOR SPECIFIC MATERIAL NUMBERS, REFER TO SHEET 2.
 7. PACKAGE PER PK-70873-0818.
 8. PARTS MARKED WITH PART NUMBER AND DATE CODE, ON EITHER SIDE, APPROXIMATELY WHERE SHOWN.



| | |
|----------|------|
| 2 | D |
| 1 | J |
| MFG. SH. | REV. |

SEE NOTE 8

PCB LAYOUT: COMPONENT SIDE
RECOMMENDED PCB THICKNESS: 2.50 MIN

| | | | | I REVISED ECR UDT2000-0348 BINGHAM 99/10/12 | | DIMENSIONS SHOWN (METRIC) INCH UNLESS OTHERWISE SPECIFIED TOLERANCES: ANGULAR ± 1/2° | | ▽ = 0 ▼ = 0 REVISE ONLY ON CAD SYSTEM | | | | | | | | | | | | | |
|---|-------|--|--|---|--|--|--|---------------------------------------|------|--------|---------|-------|-----|---------|-------|--------|---------|-----|--------|--|--|
| | | | | H REVISED ECR UDT1999-0662 BINGHAM 99/05/18 | | <table border="1"> <thead> <tr> <th></th> <th>INCH</th> <th>METRIC</th> </tr> </thead> <tbody> <tr> <td>3 PLACE</td> <td>± N/A</td> <td>---</td> </tr> <tr> <td>2 PLACE</td> <td>± N/A</td> <td>± 0.05</td> </tr> <tr> <td>1 PLACE</td> <td>---</td> <td>± 0.10</td> </tr> </tbody> </table> | | | INCH | METRIC | 3 PLACE | ± N/A | --- | 2 PLACE | ± N/A | ± 0.05 | 1 PLACE | --- | ± 0.10 | TITLE SALES ASSY, HDM BACKPLANE MODULE, POLAR/GUIDE OPTION | |
| | INCH | METRIC | | | | | | | | | | | | | | | | | | | |
| 3 PLACE | ± N/A | --- | | | | | | | | | | | | | | | | | | | |
| 2 PLACE | ± N/A | ± 0.05 | | | | | | | | | | | | | | | | | | | |
| 1 PLACE | --- | ± 0.10 | | | | | | | | | | | | | | | | | | | |
| J REVISED ECR UCP2003-2260 THOMAS 03/04/25 | | G REVISED ECR UDT1999-0476 BINGHAM 98/12/21 | | DRAFT WHERE APPLICABLE MUST REMAIN WITHIN DIMENSIONS | | MOLEX MOLEX INCORPORATED SHEET NO. DATE U.S.A. 60532 1 OF 2 96/12/18 | | PART NO. DRWG. NO. | | | | | | | | | | | | | |
| LTR. REVISIONS | | LTR. REVISIONS | | DRWG. BY: JRR CHK'D. BY: SMR | | SEE CHART SDA-73644-**** | | FILE NAME: 573644X1 DGN | | | | | | | | | | | | | |
| | | | | APP'D. BY: CAB SCALE: 2 : 1 | | THIS DRAWING CONTAINS INFORMATION THAT IS PROPRIETARY TO MOLEX INC. AND SHOULD NOT BE USED WITHOUT WRITTEN PERMISSION. | | DIV. SIZE: DA B | | | | | | | | | | | | | |

| MATERIAL NUMBER | NUMBER OF SIGNAL CONTACTS | PLATING | DIM "A" | DIM "B" | DIM "M" |
|-----------------|---------------------------|-----------------------------------|---------|---------|---------|
| 73644-00** | 72 | SELECTIVE GOLD/GOLD FLASH | 31.60 | 22.00 | 5.00 |
| 73644-01** | 72 | SELECTIVE GOLD/GOLD FLASH | 31.60 | 22.00 | 5.50 |
| 73644-02** | 72 | SELECTIVE GOLD/GOLD FLASH | 31.60 | 22.00 | 6.00 |
| 73644-10** | 144 | SELECTIVE GOLD/GOLD FLASH | 55.60 | 46.00 | 5.00 |
| 73644-11** | 144 | SELECTIVE GOLD/GOLD FLASH | 55.60 | 46.00 | 5.50 |
| 73644-12** | 144 | SELECTIVE GOLD/GOLD FLASH | 55.60 | 46.00 | 6.00 |
| 73644-20** | 72 | SELECTIVE GOLD/SELECTIVE TIN-LEAD | 31.60 | 22.00 | 5.00 |
| 73644-21** | 72 | SELECTIVE GOLD/SELECTIVE TIN-LEAD | 31.60 | 22.00 | 5.50 |
| 73644-22** | 72 | SELECTIVE GOLD/SELECTIVE TIN-LEAD | 31.60 | 22.00 | 6.00 |
| 73644-30** | 144 | SELECTIVE GOLD/SELECTIVE TIN-LEAD | 55.60 | 46.00 | 5.00 |
| 73644-31** | 144 | SELECTIVE GOLD/SELECTIVE TIN-LEAD | 55.60 | 46.00 | 5.50 |
| 73644-32** | 144 | SELECTIVE GOLD/SELECTIVE TIN-LEAD | 55.60 | 46.00 | 6.00 |

MATERIAL NUMBER ASSIGNMENT

73644- * * * *

0 = 72-CIRCUIT, GOLD/GOLD FLASH
 1 = 144-CIRCUIT, GOLD/GOLD FLASH
 2 = 72-CIRCUIT, GOLD/TIN-LEAD
 3 = 144-CIRCUIT, GOLD/TIN-LEAD

0 = 5.00 MATING LENGTH
 1 = 5.50 MATING LENGTH
 2 = 6.00 MATING LENGTH

| NUMBER | GUIDE POST LOCATION | POLAR KEY POSITION |
|--------|---------------------|--------------------|
| 00 | B | |
| 01 | A | A |
| 02 | B | |
| 03 | A | B |
| 04 | B | C |
| 05 | A | |
| 06 | B | D |
| 07 | A | |
| 08 | B | E |
| 09 | A | |
| 10 | B | F |
| 11 | A | |
| 12 | B | G |
| 13 | A | |
| 14 | B | H |
| 15 | A | |
| 16 | B | |
| 17 | A | N/A |
| 18 | N/A | |



REF. MATERIAL NUMBER 73644-0009
 GUIDE PIN IS IN LOCATION A
 POLARIZING KEY IS IN LOCATION B, POSITION E

REF. MATERIAL NUMBER 73644-0008
 GUIDE PIN IS IN LOCATION B
 POLARIZING KEY IS IN LOCATION A, POSITION E

| DIMENSIONS SHOWN (METRIC) INCH | |
|---|----------------|
| UNLESS OTHERWISE SPECIFIED TOLERANCES: ANGULAR = 1/2° | |
| | |
| 3 PLACE | ± N/A --- |
| 2 PLACE | ± N/A ± N/A |
| 1 PLACE | --- ± N/A |
| DRAFT WHERE APPLICABLE MUST REMAIN WITHIN DIMENSIONS | |
| DRWG. BY: JRR | CHK'D. BY: SMR |
| APP'D. BY: CAB | SCALE: ---:--- |
| LTR. | REVISIONS |
| LTR. | REVISIONS |

| | |
|---|--|
| DIMENSIONS SHOWN (METRIC) INCH UNLESS OTHERWISE SPECIFIED TOLERANCES: ANGULAR = 1/2° 3 PLACE ± N/A --- 2 PLACE ± N/A ± N/A 1 PLACE --- ± N/A DRAFT WHERE APPLICABLE MUST REMAIN WITHIN DIMENSIONS DRWG. BY: JRR CHK'D. BY: SMR APP'D. BY: CAB SCALE: ---:--- | ▽ = 0 ▼ = 0 REVISE ONLY ON CAD SYSTEM TITLE SALES ASSY, HDM BACKPLANE MODULE, POLAR/GUIDE OPTION MOLEX INCORPORATED SHEET NO. DATE LISLE, ILL. 60532 U.S.A. 2 96/12/18 PART NO. DRWG. NO. SEE CHART SDA-73644-**** FILE NAME DIV. SIZE S73644X2 DGN THIS DRAWING CONTAINS INFORMATION THAT IS PROPRIETARY TO MOLEX INC. AND SHOULD NOT BE USED WITHOUT WRITTEN PERMISSION. DA B |
|---|--|



Компания «ЭлектроПласт» предлагает заключение долгосрочных отношений при поставках импортных электронных компонентов на взаимовыгодных условиях!

Наши преимущества:

- Оперативные поставки широкого спектра электронных компонентов отечественного и импортного производства напрямую от производителей и с крупнейших мировых складов;
- Поставка более 17-ти миллионов наименований электронных компонентов;
- Поставка сложных, дефицитных, либо снятых с производства позиций;
- Оперативные сроки поставки под заказ (от 5 рабочих дней);
- Экспресс доставка в любую точку России;
- Техническая поддержка проекта, помощь в подборе аналогов, поставка прототипов;
- Система менеджмента качества сертифицирована по Международному стандарту ISO 9001;
- Лицензия ФСБ на осуществление работ с использованием сведений, составляющих государственную тайну;
- Поставка специализированных компонентов (Xilinx, Altera, Analog Devices, Intersil, Interpoint, Microsemi, Aeroflex, Peregrine, Syfer, Eurofarad, Texas Instrument, Miteq, Cobham, E2V, MA-COM, Hittite, Mini-Circuits, General Dynamics и др.);

Помимо этого, одним из направлений компании «ЭлектроПласт» является направление «Источники питания». Мы предлагаем Вам помощь Конструкторского отдела:

- Подбор оптимального решения, техническое обоснование при выборе компонента;
- Подбор аналогов;
- Консультации по применению компонента;
- Поставка образцов и прототипов;
- Техническая поддержка проекта;
- Защита от снятия компонента с производства.



Как с нами связаться

Телефон: 8 (812) 309 58 32 (многоканальный)

Факс: 8 (812) 320-02-42

Электронная почта: org@eplast1.ru

Адрес: 198099, г. Санкт-Петербург, ул. Калинина, дом 2, корпус 4, литера А.