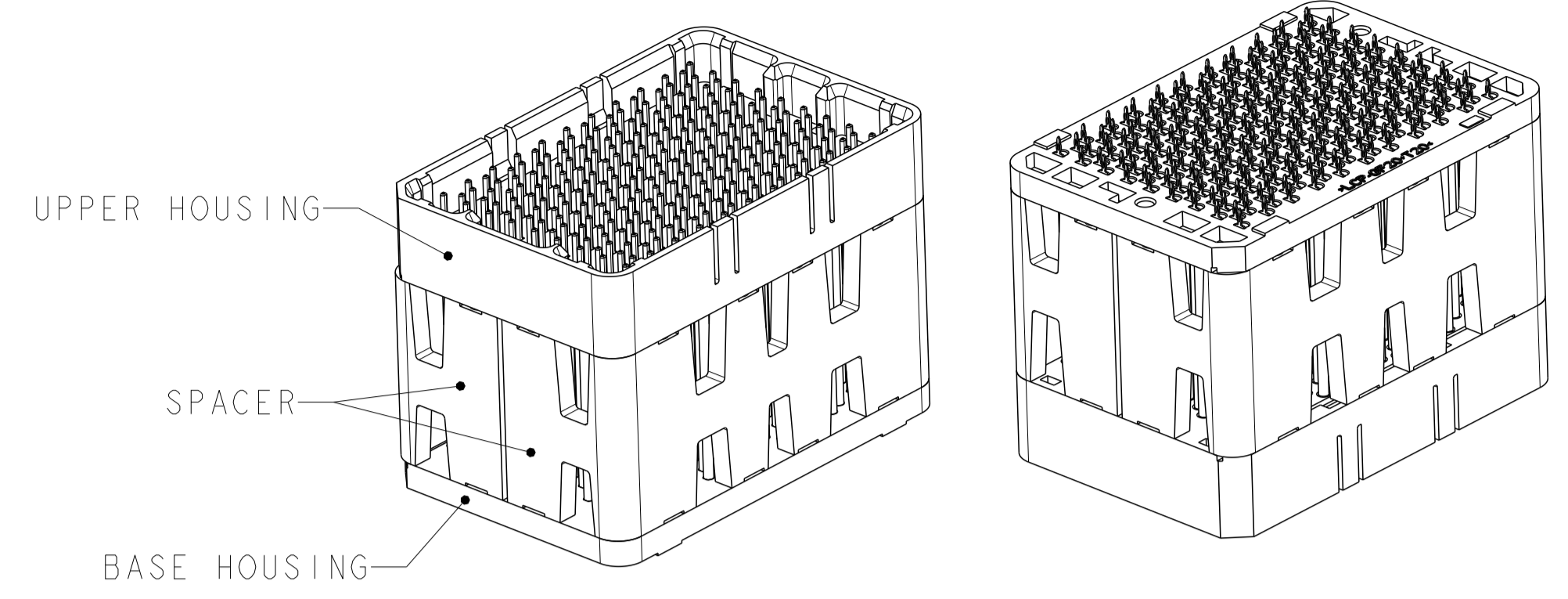
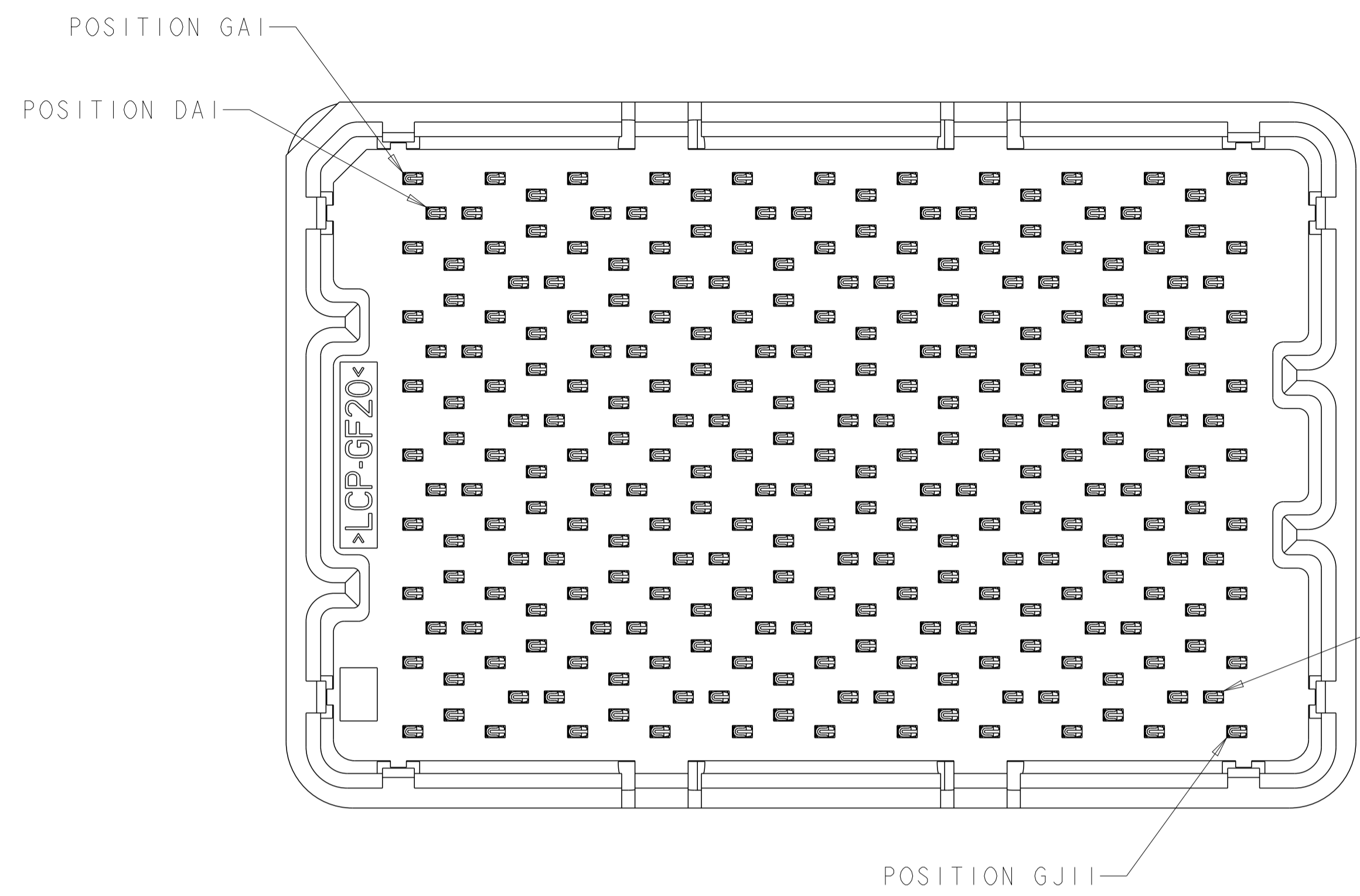
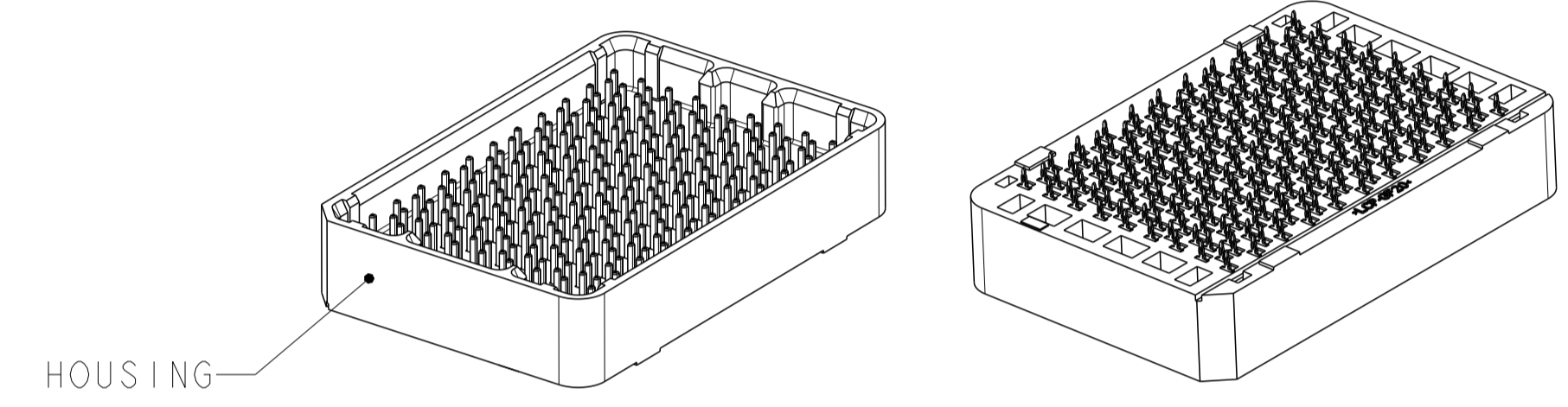


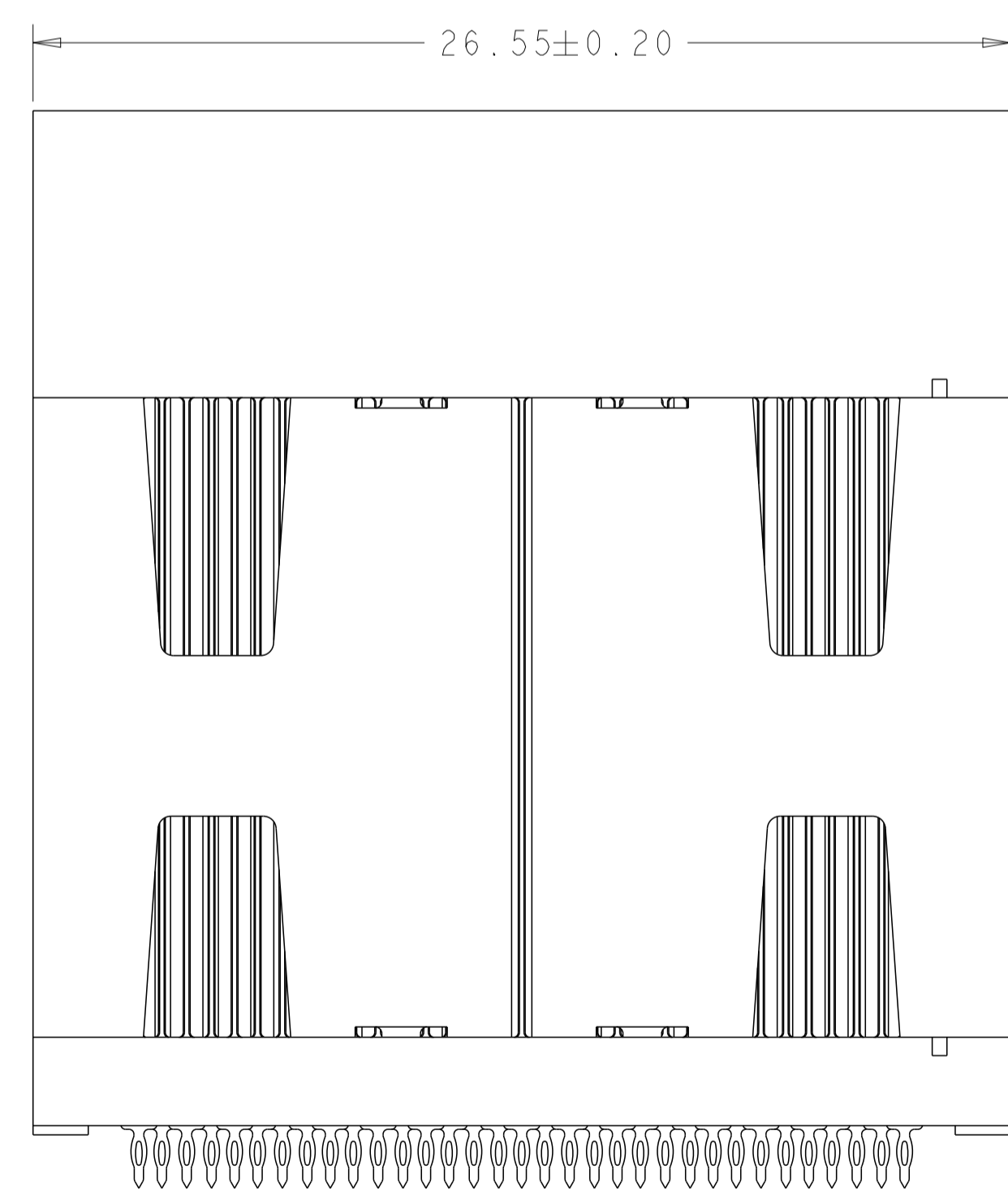
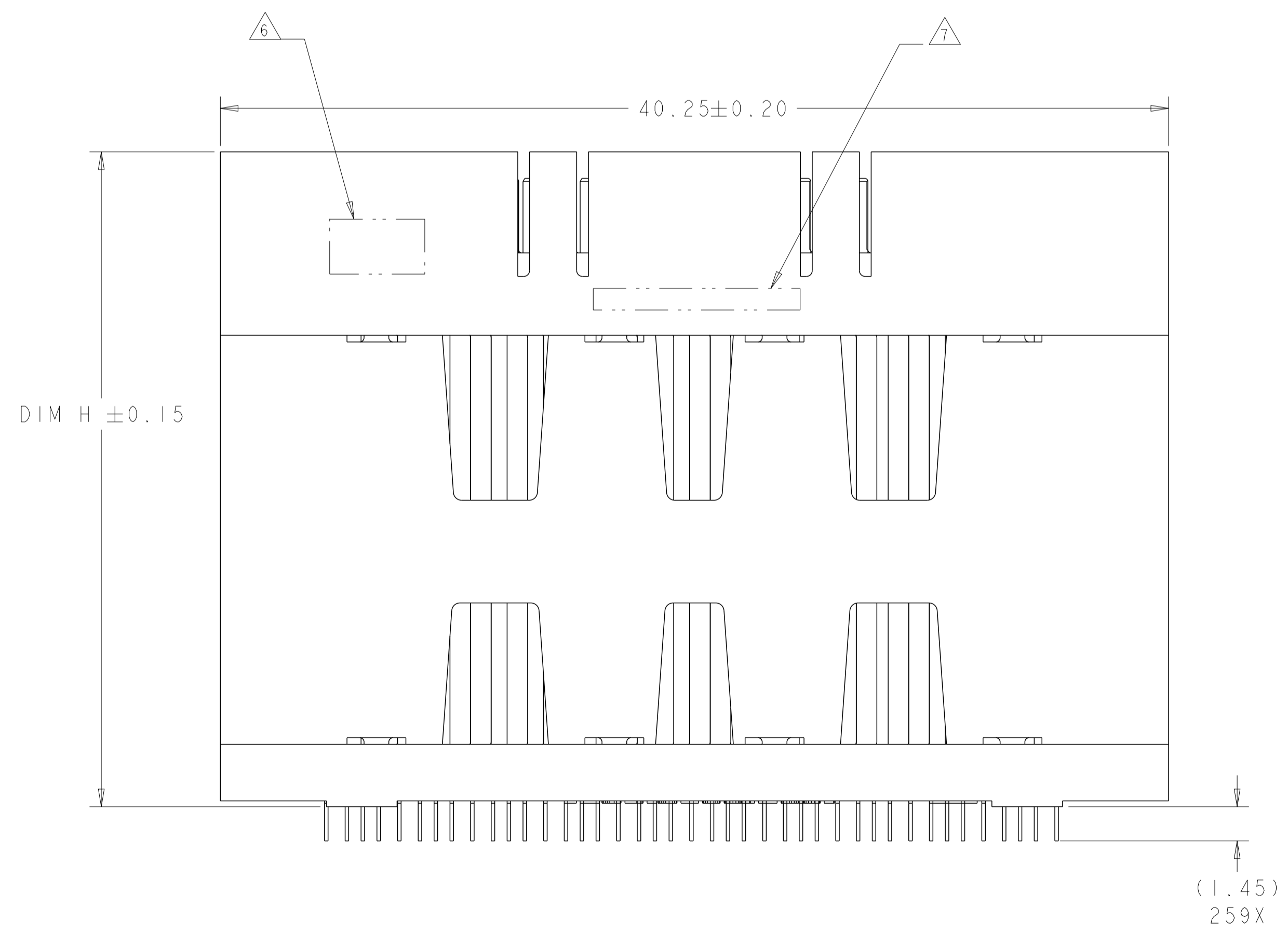
LOC	DIST	REVISIONS					
GP	00	P	LTN	DESCRIPTION	DATE	DWN	APVD
		A		REVISED PER ECO-12-018201	11OCT2012	KH	MH



ISOMETRIC VIEW  
TYPICAL CONFIGURATION FOR 14mm THRU 42mm  
28mm SHOWN  
SCALE 2:1



ISOMETRIC VIEW  
TYPICAL CONFIGURATION FOR 8mm THRU 13mm  
8mm SHOWN  
SCALE 2:1



- 1 MATERIAL:  
BASE HOUSING, UPPER HOUSING, ORGANIZER,  
AND SPACER: THERMOPLASTIC, FLAMMABILITY  
RATING UL94-V0  
CONTACT: COPPER ALLOY
- 2 CONTACT PLATING: 0.076µm MIN GOLD OVER 0.69µm  
MIN PALLADIUM NICKEL, OVER 2.54-5.08µm NICKEL  
ON MATING AREA. 0.50-2.54µm 93/7 TIN-LEAD,  
OVER 1.27-5.08µm NICKEL ON TAIL AREA.  
PORE BLOCKER APPLIED TO MATING AREA.
- 3 CONTACT PLATING: 0.076µm MIN GOLD OVER 0.69µm  
MIN PALLADIUM NICKEL, OVER 2.54-5.08µm NICKEL  
ON MATING AREA. 0.50-2.54µm MATTE TIN,  
OVER 1.27-5.08µm NICKEL ON TAIL AREA.  
PORE BLOCKER APPLIED TO MATING AREA.
- 4 ROWS GA THRU GJ (SHOWN DARKENED) ARE TYPICALLY  
USED AS GROUNDS.
- 5 SPECIFIED POSITIONAL TOLERANCE DEFINES HOLE TO  
HOLE LOCATION WITHIN HOLE PATTERN. POSITIONAL  
TOLERANCE OF HOLE PATTERN TO FIDUCIAL MARKS  
OR PCB DATUMS SHALL BE DEFINED BY CUSTOMER.
- 6 AREA RESERVED FOR TE CONNECTIVITY LOGO.
- 7 AREA RESERVED FOR PART NUMBER (X-XXXXXX-X)  
AND DATE CODE (YYWW).
- 8 USE CENTERLINES INDICATED ON PCB HOLE PATTERN  
TO ESTABLISH ALIGNMENT BETWEEN HEADER AND  
RECEPTACLE BOARDS.
- 9 PLATED THROUGH HOLE REQUIREMENTS:  
HOLE SIZE PRIOR TO PLATING =  $\varnothing 0.420 \pm 0.013$   
COPPER PLATING THICKNESS =  $0.038 \pm 0.013$   
CALCULATED FINISHED HOLE SIZE =  $\varnothing 0.344 \pm 0.039$   
THESE DIMENSIONS APPLY TO THE TOP 1.25mm OF  
THE PCB THICKNESS FROM THE CONNECTOR MOUNTING  
SIDE.
- 10 CONTACT SALES FOR AVAILABILITY OF THIS STACK  
HEIGHT.

**SIZE 2 HOUSING \***  
**80 DIFFERENTIAL PAIRS**  
**259 TOTAL SIGNAL CONTACTS**

\* SIZE 1 AND SIZE 3 ARE ALSO AVAILABLE

THIS DRAWING IS A CONTROLLED DOCUMENT.		DWN D. RINGLER 29AUG2008	TE Connectivity												
DIMENSIONS:		CHK D. TROUT 29AUG2008													
mm	TOLERANCES UNLESS OTHERWISE SPECIFIED:	APVD J. EDDER 29AUG2008	NAME												
<table border="1"> <tr><td>0 PLC</td><td>±</td></tr> <tr><td>2 PLC</td><td>±0.13</td></tr> <tr><td>3 PLC</td><td>±0.013</td></tr> <tr><td>4 PLC</td><td>±</td></tr> </table>	0 PLC	±	2 PLC	±0.13	3 PLC	±0.013	4 PLC	±	<table border="1"> <tr><td>ANGLES</td><td>±1</td></tr> <tr><td>FINISH</td><td></td></tr> </table>	ANGLES	±1	FINISH		PRODUCT SPEC	HEADER ASSEMBLY
0 PLC	±														
2 PLC	±0.13														
3 PLC	±0.013														
4 PLC	±														
ANGLES	±1														
FINISH															
MATERIAL		APPLICATION SPEC	80/259 SIGNAL												
		114-13249	STRADA MESA MEZZANINE CONNECTOR												
		WEIGHT	SIZE CAGE CODE DRAWING NO												
		Customer Drawing	A100779C=2057360												
		SCALE 6:1	SHEET 1 OF 4 REV A												

THIS DRAWING IS UNPUBLISHED. RELEASED FOR PUBLICATION 20  
COPYRIGHT 20 BY - ALL RIGHTS RESERVED.

LOC	DIST	REVISIONS					
GP	00	P	LTN	DESCRIPTION	DATE	DMN	APVD
-	-	-	-	SEE SHEET 1	-	-	-

△3	△10	41.8	42mm	MATTE Sn	9-2057360-2
△3	△10	40.8	41mm	MATTE Sn	9-2057360-1
△3	YES	39.8	40mm	MATTE Sn	9-2057360-0
△3	△10	38.8	39mm	MATTE Sn	8-2057360-9
△3	△10	37.8	38mm	MATTE Sn	8-2057360-8
△3	△10	36.8	37mm	MATTE Sn	8-2057360-7
△3	△10	35.8	36mm	MATTE Sn	8-2057360-6
△3	△10	34.8	35mm	MATTE Sn	8-2057360-5
△3	△10	33.8	34mm	MATTE Sn	8-2057360-4
△3	△10	32.8	33mm	MATTE Sn	8-2057360-3
△3	△10	31.8	32mm	MATTE Sn	8-2057360-2
△3	△10	30.8	31mm	MATTE Sn	8-2057360-1
△3	△10	29.8	30mm	MATTE Sn	8-2057360-0
△3	△10	28.8	29mm	MATTE Sn	7-2057360-9
△3	YES	27.8	28mm	MATTE Sn	7-2057360-8
△3	△10	26.8	27mm	MATTE Sn	7-2057360-7
△3	△10	25.8	26mm	MATTE Sn	7-2057360-6
△3	△10	24.8	25mm	MATTE Sn	7-2057360-5
△3	△10	23.8	24mm	MATTE Sn	7-2057360-4
△3	YES	22.8	23mm	MATTE Sn	7-2057360-3
△3	△10	21.8	22mm	MATTE Sn	7-2057360-2
△3	△10	20.8	21mm	MATTE Sn	7-2057360-1
△3	△10	19.8	20mm	MATTE Sn	7-2057360-0
△3	△10	18.8	19mm	MATTE Sn	6-2057360-9
△3	△10	17.8	18mm	MATTE Sn	6-2057360-8
△3	△10	16.8	17mm	MATTE Sn	6-2057360-7
△3	△10	15.8	16mm	MATTE Sn	6-2057360-6
△3	△10	14.8	15mm	MATTE Sn	6-2057360-5
△3	△10	13.8	14mm	MATTE Sn	6-2057360-4
△3	△10	12.8	13mm	MATTE Sn	6-2057360-3
△3	△10	11.8	12mm	MATTE Sn	6-2057360-2
△3	△10	10.8	11mm	MATTE Sn	6-2057360-1
△3	△10	9.8	10mm	MATTE Sn	6-2057360-0
△3	YES	8.8	9mm	MATTE Sn	5-2057360-9
△3	△10	7.8	8mm	MATTE Sn	5-2057360-8
FINISH	TOOLED	DIM H	STACK HEIGHT	CONTACT TAIL PLATING	PART NUMBER

△2	△10	41.8	42mm	Sn/Pb	4-2057360-2
△2	△10	40.8	41mm	Sn/Pb	4-2057360-1
△2	YES	39.8	40mm	Sn/Pb	4-2057360-0
△2	△10	38.8	39mm	Sn/Pb	3-2057360-9
△2	△10	37.8	38mm	Sn/Pb	3-2057360-8
△2	△10	36.8	37mm	Sn/Pb	3-2057360-7
△2	△10	35.8	36mm	Sn/Pb	3-2057360-6
△2	△10	34.8	35mm	Sn/Pb	3-2057360-5
△2	△10	33.8	34mm	Sn/Pb	3-2057360-4
△2	△10	32.8	33mm	Sn/Pb	3-2057360-3
△2	△10	31.8	32mm	Sn/Pb	3-2057360-2
△2	△10	30.8	31mm	Sn/Pb	3-2057360-1
△2	△10	29.8	30mm	Sn/Pb	3-2057360-0
△2	△10	28.8	29mm	Sn/Pb	2-2057360-9
△2	YES	27.8	28mm	Sn/Pb	2-2057360-8
△2	△10	26.8	27mm	Sn/Pb	2-2057360-7
△2	△10	25.8	26mm	Sn/Pb	2-2057360-6
△2	△10	24.8	25mm	Sn/Pb	2-2057360-5
△2	△10	23.8	24mm	Sn/Pb	2-2057360-4
△2	YES	22.8	23mm	Sn/Pb	2-2057360-3
△2	△10	21.8	22mm	Sn/Pb	2-2057360-2
△2	△10	20.8	21mm	Sn/Pb	2-2057360-1
△2	△10	19.8	20mm	Sn/Pb	2-2057360-0
△2	△10	18.8	19mm	Sn/Pb	1-2057360-9
△2	△10	17.8	18mm	Sn/Pb	1-2057360-8
△2	△10	16.8	17mm	Sn/Pb	1-2057360-7
△2	△10	15.8	16mm	Sn/Pb	1-2057360-6
△2	△10	14.8	15mm	Sn/Pb	1-2057360-5
△2	△10	13.8	14mm	Sn/Pb	1-2057360-4
△2	△10	12.8	13mm	Sn/Pb	1-2057360-3
△2	△10	11.8	12mm	Sn/Pb	1-2057360-2
△2	△10	10.8	11mm	Sn/Pb	1-2057360-1
△2	△10	9.8	10mm	Sn/Pb	1-2057360-0
△2	YES	8.8	9mm	Sn/Pb	2057360-9
△2	△10	7.8	8mm	Sn/Pb	2057360-8
FINISH	TOOLED	DIM H	STACK HEIGHT	CONTACT TAIL PLATING	PART NUMBER

THIS DRAWING IS A CONTROLLED DOCUMENT.

DMN: D. RINGLER 29AUG2008  
CHK: D. TROUT 29AUG2008  
APVD: J. FEDDER 29AUG2008

**STE** TE Connectivity

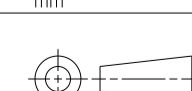
NAME: HEADER ASSEMBLY  
80/259 SIGNAL  
STRADA MESA MEZZANINE CONNECTOR

SIZE: A1 CAGE CODE: 114-13249 DRAWING NO: 100779 ©=2057360 RESTRICTED TO

Customer Drawing SCALE: 6:1 SHEET 2 OF 4 REV A

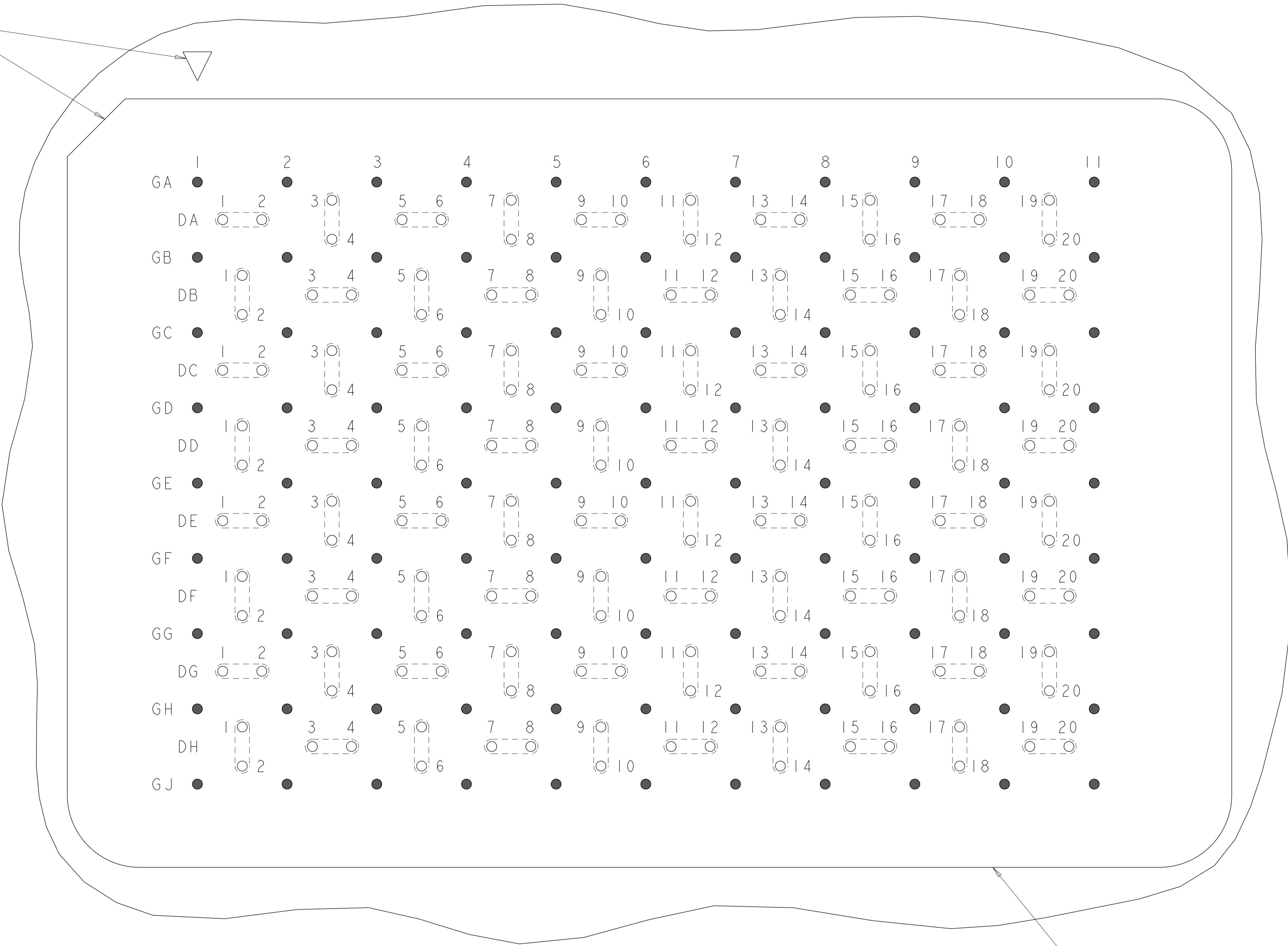
TOLERANCES UNLESS OTHERWISE SPECIFIED:  
0 PLC ±.  
1 PLC ±.  
2 PLC ±0.13  
3 PLC ±0.013  
4 PLC ±.  
ANGLES ±1  
FINISH

DIMENSIONS: mm




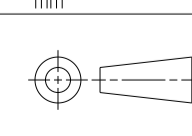
LOC	DIST	REVISIONS			
P	LTN	DESCRIPTION	DATE	DWN	APVD
-	-	SEE SHEET 1	-	-	-

A1 CORNER INDICATORS.

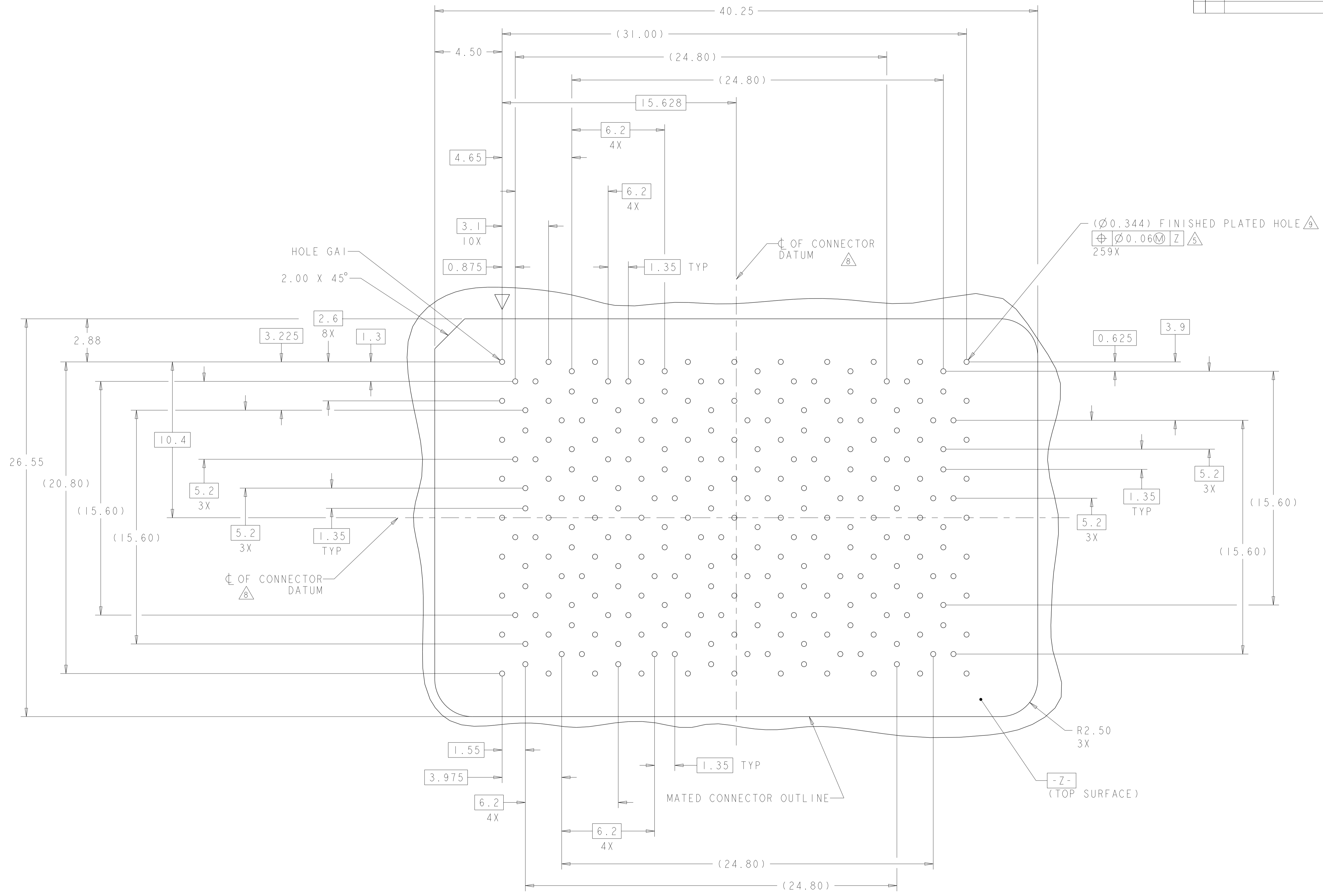


**PCB LAYOUT AND PIN IDENTIFICATION**   
 SHOWN FROM CONNECTOR SIDE  
 SCALE 12:1

MATED CONNECTOR OUTLINE  
 SEE SHEET 4 FOR LOCATION TO HOLES

THIS DRAWING IS A CONTROLLED DOCUMENT.		DWN D. RINGLER 29AUG2008	 TE Connectivity
DIMENSIONS:		CHK D. TROUT 29AUG2008	
mm	TOLERANCES UNLESS OTHERWISE SPECIFIED:	APVD J. FEDDER 29AUG2008	NAME HEADER ASSEMBLY 80/259 SIGNAL STRADA MESA MEZZANINE CONNECTOR
	0 PLC ± 1 PLC ±0.13 2 PLC ±0.13 3 PLC ±0.13 4 PLC ± ANGLES ±1 FINISH	PRODUCT SPEC 108-2375 APPLICATION SPEC 114-13249 WEIGHT	SIZE A100779
MATERIAL		DRAWING NO C=2057360	RESTRICTED TO
		Customer Drawing	SCALE 6:1 SHEET 3 OF 4 REV A

LOC		DIST		REVISIONS			
P	LYR	DATE	BY	APPV	DESCRIPTION	DATE	BY
-	-	-	-	-	SEE SHEET 1	-	-



**PCB HOLE PATTERN**  
 SHOWN FROM CONNECTOR SIDE  
 SCALE 8:1

THIS DRAWING IS A CONTROLLED DOCUMENT.		OWN: D. RINGLER 29AUG2008	TE Connectivity NAME: HEADER ASSEMBLY 80/259 SIGNAL STRADA MESA MEZZANINE CONNECTOR
DIMENSIONS:		CHK: D. TROUT 29AUG2008	
TOLERANCES UNLESS OTHERWISE SPECIFIED:		APPV: J. FEDDER 29AUG2008	
0 PLC ± 1 PLC ± 2 PLC ±0.13 3 PLC ±0.013 4 PLC ± ANGLES ±1 FINISH		PRODUCT SPEC: 108-2375 APPLICATION SPEC: 114-13249 WEIGHT: - SCALE: 6:1	
MATERIAL: -		SIZE: A100779	RESTRICTED TO: -
Customer Drawing		SCALE: 6:1	SHEET 4 OF 4 REV A



Компания «ЭлектроПласт» предлагает заключение долгосрочных отношений при поставках импортных электронных компонентов на взаимовыгодных условиях!

Наши преимущества:

- Оперативные поставки широкого спектра электронных компонентов отечественного и импортного производства напрямую от производителей и с крупнейших мировых складов;
- Поставка более 17-ти миллионов наименований электронных компонентов;
- Поставка сложных, дефицитных, либо снятых с производства позиций;
- Оперативные сроки поставки под заказ (от 5 рабочих дней);
- Экспресс доставка в любую точку России;
- Техническая поддержка проекта, помощь в подборе аналогов, поставка прототипов;
- Система менеджмента качества сертифицирована по Международному стандарту ISO 9001;
- Лицензия ФСБ на осуществление работ с использованием сведений, составляющих государственную тайну;
- Поставка специализированных компонентов (Xilinx, Altera, Analog Devices, Intersil, Interpoint, Microsemi, Aeroflex, Peregrine, Syfer, Eurofarad, Texas Instrument, Miteq, Cobham, E2V, MA-COM, Hittite, Mini-Circuits, General Dynamics и др.);

Помимо этого, одним из направлений компании «ЭлектроПласт» является направление «Источники питания». Мы предлагаем Вам помощь Конструкторского отдела:

- Подбор оптимального решения, техническое обоснование при выборе компонента;
- Подбор аналогов;
- Консультации по применению компонента;
- Поставка образцов и прототипов;
- Техническая поддержка проекта;
- Защита от снятия компонента с производства.



#### Как с нами связаться

**Телефон:** 8 (812) 309 58 32 (многоканальный)

**Факс:** 8 (812) 320-02-42

**Электронная почта:** [org@eplast1.ru](mailto:org@eplast1.ru)

**Адрес:** 198099, г. Санкт-Петербург, ул. Калинина, дом 2, корпус 4, литера А.