

74HC4316; 74HCT4316

Quad single-pole single-throw analog switch

Rev. 4 — 15 October 2018

Product data sheet

1. General description

The 74HC4316; 74HCT4316 is a quad single pole, single throw analog switch (SPST). Each switch features two input/output terminals (nY and nZ) and an active HIGH enable input (nS). When nS is LOW, the analog switch is turned off. When \bar{E} is HIGH all four analog switches are turned off. Inputs include clamp diodes. This enables the use of current limiting resistors to interface inputs to voltages in excess of V_{CC} .

2. Features and benefits

- Input levels \bar{E} and nS inputs:
 - For 74HC4316: CMOS level
 - For 74HCT4316: TTL level
- Low ON resistance:
 - 160 Ω (typical) at $V_{CC} - V_{EE} = 4.5$ V
 - 120 Ω (typical) at $V_{CC} - V_{EE} = 6.0$ V
 - 80 Ω (typical) at $V_{CC} - V_{EE} = 9.0$ V
- Logic level translation:
 - To enable 5 V logic to communicate with ± 5 V analog signals
- Typical break-before-make built in
- Specified in compliance with JEDEC standard no. 7A
- ESD protection:
 - HBM JESD22-A114F exceeds 2000 V
 - MM JESD22-A115-A exceeds 200 V
- Multiple package options
- Specified from -40 °C to $+85$ °C and -40 °C to $+125$ °C

3. Applications

- Signal gating
- Modulation
- Demodulation
- Chopper

4. Ordering information

Table 1. Ordering information

Type number	Package			Version
	Temperature range	Name	Description	
74HC4316D	-40 °C to +125 °C	SO16	plastic small outline package; 16 leads; body width 3.9 mm	SOT109-1
74HCT4316D				
74HC4316DB	-40 °C to +125 °C	SSOP16	plastic shrink small outline package; 16 leads; body width 5.3 mm	SOT338-1
74HCT4316DB				
74HC4316PW	-40 °C to +125 °C	TSSOP16	plastic thin shrink small outline package; 16 leads; body width 4.4 mm	SOT403-1
74HCT4316PW				

5. Functional diagram



Fig. 1. Logic symbol

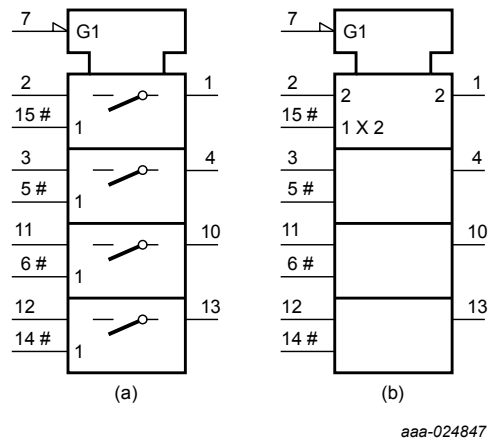


Fig. 2. IEC logic symbol

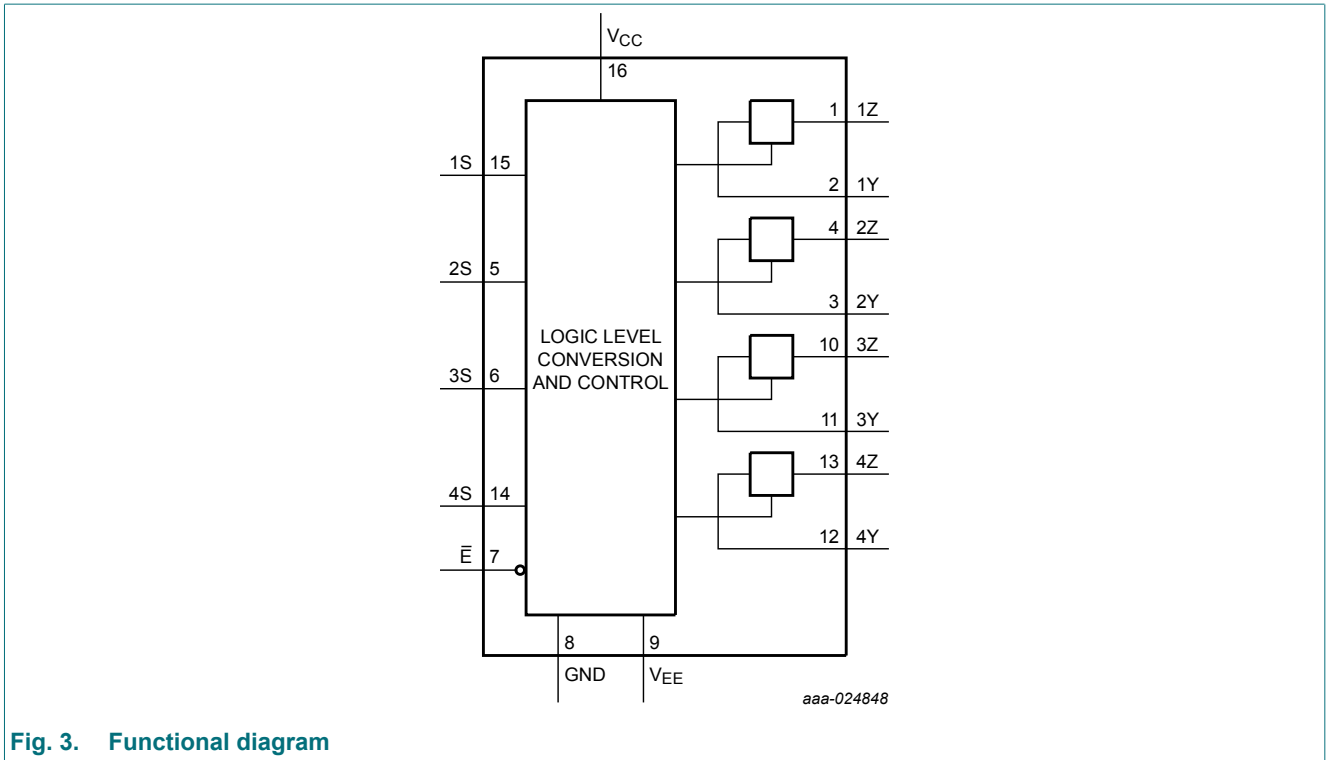


Fig. 3. Functional diagram

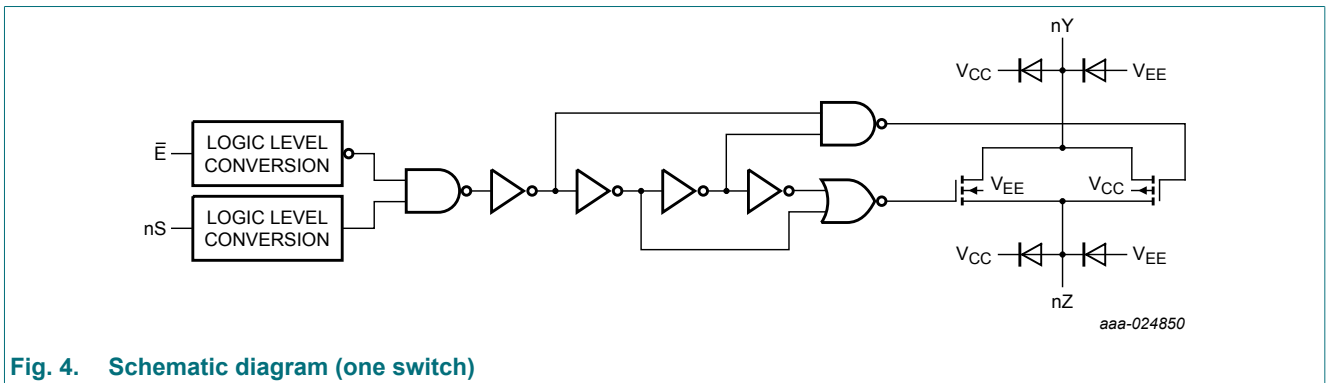


Fig. 4. Schematic diagram (one switch)

6. Pinning information

6.1. Pinning



Fig. 5. Pin configuration SOT109-1 (SO16)

Fig. 6. Pin configuration SOT338-1 (SSOP16) and SOT403-1 (TSSOP16)

6.2. Pin description

Table 2. Pin description

Symbol	Pin	Description
1Z, 2Z, 3Z, 4Z	1, 4, 10, 13	independent input or output
1Y, 2Y, 3Y, 4Y	2, 3, 11, 12	independent input or output
\bar{E}	7	enable input (active LOW)
GND	8	ground (0 V)
V _{EE}	9	negative supply voltage
1S, 2S, 3S, 4S	15, 5, 6, 14	select input (active HIGH)
V _{CC}	14	positive supply voltage

7. Functional description

Table 3. Function table

H = HIGH voltage level; L = LOW voltage level; X = don't care.

Input		Switch
\bar{E}	nS	
L	L	OFF
L	H	ON
H	X	OFF

8. Limiting values

Table 4. Limiting values

In accordance with the Absolute Maximum Rating System (IEC 60134). Voltages are referenced to GND (ground = 0 V).

Symbol	Parameter	Conditions	Min	Max	Unit
V_{CC}	supply voltage		-0.5	+11.0	V
I_{IK}	input clamping current	$V_I < -0.5\text{ V}$ or $V_I > V_{CC} + 0.5\text{ V}$	-	± 20	mA
I_{SK}	switch clamping current	$V_{SW} < -0.5\text{ V}$ or $V_{SW} > V_{CC} + 0.5\text{ V}$	-	± 20	mA
I_{SW}	switch current	$V_{SW} = -0.5\text{ V}$ to $V_{CC} + 0.5\text{ V}$ [1]	-	± 25	mA
I_{EE}	supply current		-	20	mA
I_{CC}	supply current		-	50	mA
I_{GND}	ground current		-50	-	mA
T_{stg}	storage temperature		-65	+150	°C
P_{tot}	total power dissipation	$T_{amb} = -40\text{ °C}$ to $+125\text{ °C}$ [2]	-	500	mW
P	power dissipation	per switch	-	100	mW

- [1] To avoid drawing V_{CC} current out of terminal nZ, when switch current flows in terminals nY, the voltage drop across the bidirectional switch must not exceed 0.4 V. If the switch current flows into terminal nZ, no V_{CC} current will flow out of terminals nY. In this case there is no limit for the voltage drop across the switch, but the voltages at nY and nZ may not exceed V_{CC} or V_{EE} .
- [2] For SO16 package: P_{tot} derates linearly with 8 mW/K above 70 °C.
For (T)SSOP16 packages: P_{tot} derates linearly with 5.5 mW/K above 60 °C.

9. Recommended operating conditions

Table 5. Recommended operating conditions

Symbol	Parameter	Conditions	74HC4316			74HCT4316			Unit
			Min	Typ	Max	Min	Typ	Max	
V_{CC}	supply voltage	see Fig. 7 and Fig. 8							
		$V_{CC} - GND$	2.0	5.0	10.0	4.5	5.0	5.5	V
		$V_{EE} - GND$	2.0	5.0	10.0	2.0	5.0	10.0	V
V_I	input voltage		GND	-	V_{CC}	GND	-	V_{CC}	V
V_{SW}	switch voltage		V_{EE}	-	V_{CC}	V_{EE}	-	V_{CC}	V
T_{amb}	ambient temperature		-40	+25	+125	-40	+25	+125	°C
$\Delta t/\Delta V$	input transition rise and fall rate	$V_{CC} = 2.0\text{ V}$	-	-	625	-	-	-	ns/V
		$V_{CC} = 4.5\text{ V}$	-	1.67	139	-	1.67	139	ns/V
		$V_{CC} = 6.0\text{ V}$	-	-	83	-	-	-	ns/V
		$V_{CC} = 10.0\text{ V}$	-	-	35	-	-	-	ns/V



Fig. 7. Guaranteed operating area as a function of the supply voltages for 74HC4316

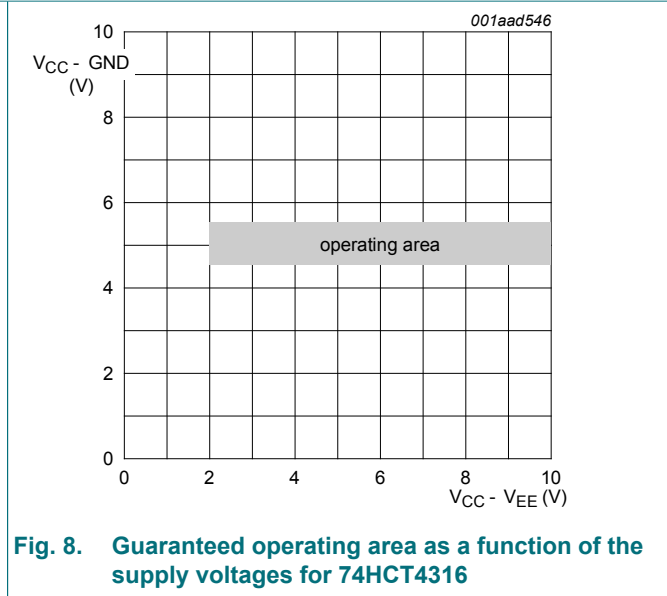


Fig. 8. Guaranteed operating area as a function of the supply voltages for 74HCT4316

10. Static characteristics

Table 6. RON resistance per switch for types 74HC4316 and 74HCT4316

$V_I = V_{IH}$ or V_{IL} ; for test circuit see Fig. 9.

V_{is} is the input voltage at a nY or nZ terminal, whichever is assigned as an input.

V_{os} is the output voltage at a nY or nZ terminal, whichever is assigned as an output.

For 74HC4316: $V_{CC} - GND$ or $V_{CC} - V_{EE} = 2.0\text{ V}, 4.5\text{ V}, 6.0\text{ V}$ and 9.0 V .

For 74HCT4316: $V_{CC} - GND = 4.5\text{ V}$ and 5.5 V ; $V_{CC} - V_{EE} = 2.0\text{ V}, 4.5\text{ V}, 6.0\text{ V}$ and 9.0 V .

Symbol	Parameter	Conditions	25 °C		-40 °C to +85 °C		-40 °C to +125 °C		Unit
			Typ	Max	Min	Max	Min	Max	
RON(peak)	ON resistance (peak)	$V_{is} = V_{CC}$ to V_{EE} [1]							
		$V_{CC} = 2.0\text{ V}; V_{EE} = 0\text{ V}; I_{SW} = 100\text{ }\mu\text{A}$	-	-	-	-	-	-	Ω
		$V_{CC} = 4.5\text{ V}; V_{EE} = 0\text{ V}; I_{SW} = 1000\text{ }\mu\text{A}$	160	320	-	400	-	480	Ω
		$V_{CC} = 6.0\text{ V}; V_{EE} = 0\text{ V}; I_{SW} = 1000\text{ }\mu\text{A}$	120	240	-	300	-	360	Ω
		$V_{CC} = 4.5\text{ V}; V_{EE} = -4.5\text{ V}; I_{SW} = 1000\text{ }\mu\text{A}$	85	170	-	215	-	255	Ω

Symbol	Parameter	Conditions	25 °C		-40 °C to +85 °C		-40 °C to +125 °C		Unit
			Typ	Max	Min	Max	Min	Max	
R _{ON(rail)}	ON resistance (rail)	V _{is} = V _{EE} [1]							
		V _{CC} = 2.0 V; V _{EE} = 0 V; I _{SW} = 100 µA	160	-	-	-	-	-	Ω
		V _{CC} = 4.5 V; V _{EE} = 0 V; I _{SW} = 1000 µA	80	160	-	200	-	240	Ω
		V _{CC} = 6.0 V; V _{EE} = 0 V; I _{SW} = 1000 µA	70	140	-	175	-	210	Ω
		V _{CC} = 4.5 V; V _{EE} = -4.5 V; I _{SW} = 1000 µA	60	120	-	150	-	180	Ω
		V _{is} = V _{CC} [1]							
		V _{CC} = 2.0 V; V _{EE} = 0 V; I _{SW} = 100 µA	170	-	-	-	-	-	Ω
		V _{CC} = 4.5 V; V _{EE} = 0 V; I _{SW} = 1000 µA	90	180	-	225	-	270	Ω
		V _{CC} = 6.0 V; V _{EE} = 0 V; I _{SW} = 1000 µA	80	160	-	200	-	240	Ω
		V _{CC} = 4.5 V; V _{EE} = -4.5 V; I _{SW} = 1000 µA	65	135	-	170	-	205	Ω
ΔR _{ON}	ON resistance mismatch between channels	V _{is} = V _{CC} to V _{EE} [1]							
		V _{CC} = 2.0 V; V _{EE} = 0 V	-	-	-	-	-	-	Ω
		V _{CC} = 4.5 V; V _{EE} = 0 V	16	-	-	-	-	-	Ω
		V _{CC} = 6.0 V; V _{EE} = 0 V	9	-	-	-	-	-	Ω
		V _{CC} = 4.5 V; V _{EE} = -4.5 V	6	-	-	-	-	-	Ω

[1] When supply voltages (V_{CC} - V_{EE}) near 2.0 V the analog switch ON resistance becomes extremely non-linear. When using a supply of 2 V, it is recommended to use these devices only for transmitting digital signals.



Table 7. Static characteristics 74HC4316

At recommended operating conditions; voltages are referenced to GND (ground = 0 V).

V_{is} is the input voltage at a nY or nZ terminal, whichever is assigned as an input.

V_{os} is the output voltage at a nY or nZ terminal, whichever is assigned as an output.

Symbol	Parameter	Conditions	Min	Typ	Max	Unit
$T_{amb} = 25\text{ °C}$						
V_{IH}	HIGH-level input voltage	$V_{CC} = 2.0\text{ V}$	1.5	1.2	-	V
		$V_{CC} = 4.5\text{ V}$	3.15	2.4	-	V
		$V_{CC} = 6.0\text{ V}$	4.2	3.2	-	V
		$V_{CC} = 9.0\text{ V}$	6.3	4.3	-	V
V_{IL}	LOW-level input voltage	$V_{CC} = 2.0\text{ V}$	-	0.8	0.5	V
		$V_{CC} = 4.5\text{ V}$	-	2.1	1.35	V
		$V_{CC} = 6.0\text{ V}$	-	2.8	1.8	V
		$V_{CC} = 9.0\text{ V}$	-	4.3	2.7	V
I_I	input leakage current	$V_I = V_{CC}$ or GND				
		$V_{CC} = 6.0\text{ V}; V_{EE} = 0\text{ V}$	-	-	± 0.1	μA
		$V_{CC} = 10.0\text{ V}; V_{EE} = 0\text{ V}$	-	-	± 0.2	μA
$I_{S(OFF)}$	OFF-state leakage current	$V_{CC} = 10.0\text{ V}; V_{EE} = 0\text{ V}; V_I = V_{IH}$ or $V_{IL}; V_{SW} = V_{CC} - V_{EE}$; see Fig. 11	-	-	± 0.1	μA
$I_{S(ON)}$	ON-state leakage current	$V_{CC} = 10.0\text{ V}; V_{EE} = 0\text{ V}; V_I = V_{IH}$ or $V_{IL}; V_{SW} = V_{CC} - V_{EE}$; see Fig. 12	-	-	± 0.1	μA
I_{CC}	supply current	$V_I = V_{CC}$ or GND; $V_{is} = V_{EE}$ or V_{CC} ; $V_{os} = V_{CC}$ or V_{EE}				
		$V_{CC} = 6.0\text{ V}; V_{EE} = 0\text{ V}$	-	-	8.0	μA
		$V_{CC} = 10.0\text{ V}; V_{EE} = 0\text{ V}$	-	-	16.0	μA
C_I	input capacitance		-	3.5	-	pF
C_{SW}	switch capacitance		-	5	-	pF
$T_{amb} = -40\text{ °C to }+85\text{ °C}$						
V_{IH}	HIGH-level input voltage	$V_{CC} = 2.0\text{ V}$	1.5	-	-	V
		$V_{CC} = 4.5\text{ V}$	3.15	-	-	V
		$V_{CC} = 6.0\text{ V}$	4.2	-	-	V
		$V_{CC} = 9.0\text{ V}$	6.3	-	-	V
V_{IL}	LOW-level input voltage	$V_{CC} = 2.0\text{ V}$	-	-	0.5	V
		$V_{CC} = 4.5\text{ V}$	-	-	1.35	V
		$V_{CC} = 6.0\text{ V}$	-	-	1.8	V
		$V_{CC} = 9.0\text{ V}$	-	-	2.7	V
I_I	input leakage current	$V_I = V_{CC}$ or GND				
		$V_{CC} = 6.0\text{ V}; V_{EE} = 0\text{ V}$	-	-	± 1.0	μA
		$V_{CC} = 10.0\text{ V}; V_{EE} = 0\text{ V}$	-	-	± 2.0	μA
$I_{S(OFF)}$	OFF-state leakage current	$V_{CC} = 10.0\text{ V}; V_{EE} = 0\text{ V}; V_I = V_{IH}$ or $V_{IL}; V_{SW} = V_{CC} - V_{EE}$; see Fig. 11	-	-	± 1.0	μA
$I_{S(ON)}$	ON-state leakage current	$V_{CC} = 10.0\text{ V}; V_{EE} = 0\text{ V}; V_I = V_{IH}$ or $V_{IL}; V_{SW} = V_{CC} - V_{EE}$; see Fig. 12	-	-	± 1.0	μA
I_{CC}	supply current	$V_I = V_{CC}$ or GND; $V_{is} = V_{EE}$ or V_{CC} ; $V_{os} = V_{CC}$ or V_{EE}				
		$V_{CC} = 6.0\text{ V}; V_{EE} = 0\text{ V}$	-	-	80.0	μA
		$V_{CC} = 10.0\text{ V}; V_{EE} = 0\text{ V}$	-	-	160.0	μA

Symbol	Parameter	Conditions	Min	Typ	Max	Unit
T_{amb} = -40 °C to +125 °C						
V _{IH}	HIGH-level input voltage	V _{CC} = 2.0 V	1.5	-	-	V
		V _{CC} = 4.5 V	3.15	-	-	V
		V _{CC} = 6.0 V	4.2	-	-	V
		V _{CC} = 9.0 V	6.3	-	-	V
V _{IL}	LOW-level input voltage	V _{CC} = 2.0 V	-	-	0.5	V
		V _{CC} = 4.5 V	-	-	1.35	V
		V _{CC} = 6.0 V	-	-	1.8	V
		V _{CC} = 9.0 V	-	-	2.7	V
I _I	input leakage current	V _I = V _{CC} or GND				
		V _{CC} = 6.0 V; V _{EE} = 0 V	-	-	±1.0	µA
		V _{CC} = 10.0 V; V _{EE} = 0 V	-	-	±2.0	µA
I _{S(OFF)}	OFF-state leakage current	V _{CC} = 10.0 V; V _{EE} = 0 V; V _I = V _{IH} or V _{IL} ; V _{SW} = V _{CC} - V _{EE} ; see Fig. 11	-	-	±1.0	µA
I _{S(ON)}	ON-state leakage current	V _{CC} = 10.0 V; V _{EE} = 0 V; V _I = V _{IH} or V _{IL} ; V _{SW} = V _{CC} - V _{EE} ; see Fig. 12	-	-	±1.0	µA
I _{CC}	supply current	V _I = V _{CC} or GND; V _{is} = V _{EE} or V _{CC} ; V _{os} = V _{CC} or V _{EE}				
		V _{CC} = 6.0 V; V _{EE} = 0 V	-	-	160	µA
		V _{CC} = 10.0 V; V _{EE} = 0 V	-	-	320	µA

Table 8. Static characteristics 74HCT4316

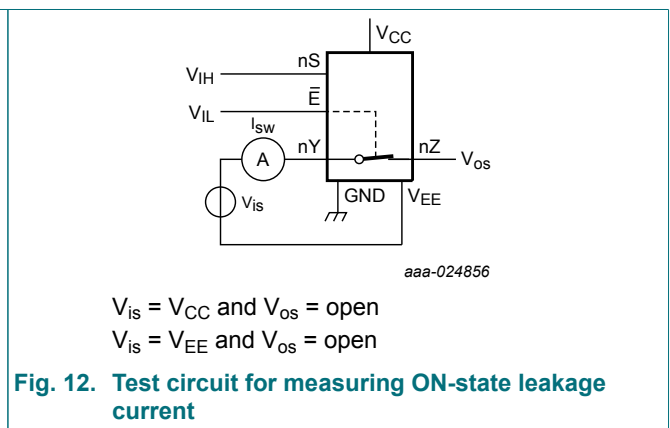
At recommended operating conditions; voltages are referenced to GND (ground = 0 V).

V_{is} is the input voltage at a nY or nZ terminal, whichever is assigned as an input.

V_{os} is the output voltage at a nY or nZ terminal, whichever is assigned as an output.

Symbol	Parameter	Conditions	Min	Typ	Max	Unit
T_{amb} = 25 °C						
V _{IH}	HIGH-level input voltage	V _{CC} = 4.5 V to 5.5 V	2.0	1.6	-	V
V _{IL}	LOW-level input voltage	V _{CC} = 4.5 V to 5.5 V	-	1.2	0.8	V
I _I	input leakage current	V _I = V _{CC} or GND; V _{CC} = 5.5 V; V _{EE} = 0 V	-	-	±0.1	µA
I _{S(OFF)}	OFF-state leakage current	V _{CC} = 10 V; V _{EE} = 0 V; V _I = V _{IH} or V _{IL} ; V _{SW} = V _{CC} - V _{EE} ; see Fig. 11	-	-	±0.1	µA
I _{S(ON)}	ON-state leakage current	V _{CC} = 10 V; V _{EE} = 0 V; V _I = V _{IH} or V _{IL} ; V _{SW} = V _{CC} - V _{EE} ; see Fig. 12	-	-	±0.1	µA
I _{CC}	supply current	V _I = V _{CC} or GND; V _{is} = V _{EE} or V _{CC} ; V _{os} = V _{CC} or V _{EE}				
		V _{CC} = 5.5 V; V _{EE} = 0 V	-	-	8.0	µA
		V _{CC} = 5.0 V; V _{EE} = -5.0 V	-	-	16.0	µA
ΔI _{CC}	additional supply current	nS and \bar{E} ; per input pin; V _I = V _{CC} - 2.1 V; other inputs at V _{CC} or GND; V _{CC} = 4.5 V to 5.5 V; V _{EE} = 0 V	-	50	180	µA
C _I	input capacitance		-	3.5	-	pF
C _{SW}	switch capacitance		-	5	-	pF

Symbol	Parameter	Conditions	Min	Typ	Max	Unit
T_{amb} = -40 °C to +85 °C						
V _{IH}	HIGH-level input voltage	V _{CC} = 4.5 V to 5.5 V	2.0	-	-	V
V _{IL}	LOW-level input voltage	V _{CC} = 4.5 V to 5.5 V	-	-	0.8	V
I _I	input leakage current	V _I = V _{CC} or GND; V _{CC} = 5.5 V; V _{EE} = 0 V	-	-	±1.0	μA
I _{S(OFF)}	OFF-state leakage current	V _{CC} = 10 V; V _{EE} = 0 V; V _I = V _{IH} or V _{IL} ; V _{SW} = V _{CC} - V _{EE} ; see Fig. 11	-	-	±1.0	μA
I _{S(ON)}	ON-state leakage current	V _{CC} = 10 V; V _{EE} = 0 V; V _I = V _{IH} or V _{IL} ; V _{SW} = V _{CC} - V _{EE} ; see Fig. 12	-	-	±1.0	μA
I _{CC}	supply current	V _I = V _{CC} or GND; V _{is} = V _{EE} or V _{CC} ; V _{os} = V _{CC} or V _{EE}				
		V _{CC} = 5.5 V; V _{EE} = 0 V	-	-	80	μA
		V _{CC} = 5.0 V; V _{EE} = -5.0 V	-	-	160	μA
ΔI _{CC}	additional supply current	nS and \bar{E} ; per input pin; V _I = V _{CC} - 2.1 V; other inputs at V _{CC} or GND; V _{CC} = 4.5 V to 5.5 V; V _{EE} = 0 V	-	-	225	μA
T_{amb} = -40 °C to +125 °C						
V _{IH}	HIGH-level input voltage	V _{CC} = 4.5 V to 5.5 V	2.0	-	-	V
V _{IL}	LOW-level input voltage	V _{CC} = 4.5 V to 5.5 V	-	-	0.8	V
I _I	input leakage current	V _I = V _{CC} or GND; V _{CC} = 5.5 V; V _{EE} = 0 V	-	-	±1.0	μA
I _{S(OFF)}	OFF-state leakage current	V _{CC} = 10 V; V _{EE} = 0 V; V _I = V _{IH} or V _{IL} ; V _{SW} = V _{CC} - V _{EE} ; see Fig. 11	-	-	±1.0	μA
I _{S(ON)}	ON-state leakage current	V _{CC} = 10 V; V _{EE} = 0 V; V _I = V _{IH} or V _{IL} ; V _{SW} = V _{CC} - V _{EE} ; see Fig. 12	-	-	±1.0	μA
I _{CC}	supply current	V _I = V _{CC} or GND; V _{is} = V _{EE} or V _{CC} ; V _{os} = V _{CC} or V _{EE}				
		V _{CC} = 5.5 V; V _{EE} = 0 V	-	-	160	μA
		V _{CC} = 5.0 V; V _{EE} = -5.0 V	-	-	320	μA
ΔI _{CC}	additional supply current	nS and \bar{E} ; per input pin; V _I = V _{CC} - 2.1 V; other inputs at V _{CC} or GND; V _{CC} = 4.5 V to 5.5 V; V _{EE} = 0 V	-	-	245	μA



11. Dynamic characteristics

Table 9. Dynamic characteristics

$GND = 0\text{ V}$; $t_r = t_f = 6\text{ ns}$; $C_L = 50\text{ pF}$ unless specified otherwise; for test circuit see Fig. 15.

V_{is} is the input voltage at a nY or nZ terminal, whichever is assigned as an input.

V_{os} is the output voltage at a nY or nZ terminal, whichever is assigned as an output.

Symbol	Parameter	Conditions	25 °C		-40 °C to +85 °C		-40 °C to +125 °C		Unit
			Typ	Max	Min	Max	Min	Max	
74HC4316									
t_{pd}	propagation delay	nY to nZ or nZ to nY; $R_L = \infty\ \Omega$; see Fig. 13 [1]							
		$V_{CC} = 2.0\text{ V}$; $V_{EE} = 0\text{ V}$	17	60	-	75	-	90	ns
		$V_{CC} = 4.5\text{ V}$; $V_{EE} = 0\text{ V}$	6	12	-	15	-	18	ns
		$V_{CC} = 6.0\text{ V}$; $V_{EE} = 0\text{ V}$	5	10	-	13	-	15	ns
		$V_{CC} = 4.5\text{ V}$; $V_{EE} = -4.5\text{ V}$	4	8	-	10	-	12	ns
t_{off}	turn-off time	\bar{E} to nY or nZ; see Fig. 14 [2]							
		$V_{CC} = 2.0\text{ V}$; $V_{EE} = 0\text{ V}$	63	220	-	275	-	330	ns
		$V_{CC} = 4.5\text{ V}$; $V_{EE} = 0\text{ V}$	23	44	-	55	-	66	ns
		$V_{CC} = 5.0\text{ V}$; $V_{EE} = 0\text{ V}$; $C_L = 15\text{ pF}$	20	-	-	-	-	-	ns
		$V_{CC} = 6.0\text{ V}$; $V_{EE} = 0\text{ V}$	18	37	-	47	-	56	ns
		$V_{CC} = 4.5\text{ V}$; $V_{EE} = -4.5\text{ V}$	21	39	-	49	-	59	ns
		nS to nY or nZ; see Fig. 14 [2]							
		$V_{CC} = 2.0\text{ V}$; $V_{EE} = 0\text{ V}$	55	175	-	220	-	265	ns
		$V_{CC} = 4.5\text{ V}$; $V_{EE} = 0\text{ V}$	20	35	-	44	-	53	ns
		$V_{CC} = 5.0\text{ V}$; $V_{EE} = 0\text{ V}$; $C_L = 15\text{ pF}$	16	-	-	-	-	-	ns
		$V_{CC} = 6.0\text{ V}$; $V_{EE} = 0\text{ V}$	16	30	-	37	-	45	ns
		$V_{CC} = 4.5\text{ V}$; $V_{EE} = -4.5\text{ V}$	18	36	-	45	-	54	ns
t_{on}	turn-on time	\bar{E} to nY or nZ; see Fig. 14 [3]							
		$V_{CC} = 2.0\text{ V}$; $V_{EE} = 0\text{ V}$	61	205	-	255	-	310	ns
		$V_{CC} = 4.5\text{ V}$; $V_{EE} = 0\text{ V}$	22	41	-	51	-	62	ns
		$V_{CC} = 5.0\text{ V}$; $V_{EE} = 0\text{ V}$; $C_L = 15\text{ pF}$	19	-	-	-	-	-	ns
		$V_{CC} = 6.0\text{ V}$; $V_{EE} = 0\text{ V}$	18	35	-	43	-	53	ns
		$V_{CC} = 4.5\text{ V}$; $V_{EE} = -4.5\text{ V}$	19	37	-	47	-	56	ns
		nS to nY or nZ; see Fig. 14 [3]							
		$V_{CC} = 2.0\text{ V}$; $V_{EE} = 0\text{ V}$	52	175	-	220	-	265	ns
		$V_{CC} = 4.5\text{ V}$; $V_{EE} = 0\text{ V}$	19	35	-	44	-	53	ns
		$V_{CC} = 5.0\text{ V}$; $V_{EE} = 0\text{ V}$; $C_L = 15\text{ pF}$	16	-	-	-	-	-	ns
$V_{CC} = 6.0\text{ V}$; $V_{EE} = 0\text{ V}$	15	30	-	37	-	45	ns		
$V_{CC} = 4.5\text{ V}$; $V_{EE} = -4.5\text{ V}$	17	34	-	43	-	51	ns		
C_{PD}	power dissipation capacitance	per switch; $V_I = GND$ to V_{CC} [4]	13	-	-	-	-	-	pF

Symbol	Parameter	Conditions	25 °C		-40 °C to +85 °C		-40 °C to +125 °C		Unit
			Typ	Max	Min	Max	Min	Max	
74HCT4316									
t _{pd}	propagation delay	nY to nZ or nZ to nY; R _L = ∞ Ω; see Fig. 13 [1]							
		V _{CC} = 4.5 V; V _{EE} = 0 V	6	12	-	15	-	18	ns
		V _{CC} = 4.5 V; V _{EE} = -4.5 V	4	8	-	10	-	12	ns
t _{pZH}	OFF-state to HIGH propagation delay	\bar{E} to nY or nZ; see Fig. 14							
		V _{CC} = 4.5 V; V _{EE} = 0 V	22	44	-	55	-	66	ns
		V _{CC} = 5.0 V; V _{EE} = 0 V; C _L = 15 pF	19	-	-	-	-	-	ns
		V _{CC} = 4.5 V; V _{EE} = -4.5 V	21	42	-	53	-	63	ns
		nS to nY or nZ; see Fig. 14							
		V _{CC} = 4.5 V; V _{EE} = 0 V	20	40	-	53	-	60	ns
		V _{CC} = 5.0 V; V _{EE} = 0 V; C _L = 15 pF	17	-	-	-	-	-	ns
t _{pZL}	OFF-state to LOW propagation delay	\bar{E} to nY or nZ; see Fig. 14							
		V _{CC} = 4.5 V; V _{EE} = 0 V	28	56	-	70	-	84	ns
		V _{CC} = 5.0 V; V _{EE} = 0 V; C _L = 15 pF	24	-	-	-	-	-	ns
		V _{CC} = 4.5 V; V _{EE} = -4.5 V	21	42	-	53	-	63	ns
		nS to nY or nZ; see Fig. 14							
		V _{CC} = 4.5 V; V _{EE} = 0 V	25	50	-	63	-	75	ns
		V _{CC} = 5.0 V; V _{EE} = 0 V; C _L = 15 pF	21	-	-	-	-	-	ns
t _{off}	turn-off time	\bar{E} to nY or nZ; see Fig. 14 [2]							
		V _{CC} = 4.5 V; V _{EE} = 0 V	25	50	-	63	-	75	ns
		V _{CC} = 5.0 V; V _{EE} = 0 V; C _L = 15 pF	21	-	-	-	-	-	ns
		V _{CC} = 4.5 V; V _{EE} = -4.5 V	23	46	-	58	-	69	ns
		nS to nY or nZ; see Fig. 14 [2]							
		V _{CC} = 4.5 V; V _{EE} = 0 V	22	44	-	55	-	66	ns
		V _{CC} = 5.0 V; V _{EE} = 0 V; C _L = 15 pF	19	-	-	-	-	-	ns
C _{PD}	power dissipation capacitance	per switch; V _I = GND to (V _{CC} - 1.5 V) [4]	14	-	-	-	-	-	pF

- [1] t_{pd} is the same as t_{pHL} and t_{PLH}.
- [2] t_{off} is the same as t_{pHZ} and t_{pLZ}.
- [3] t_{on} is the same as t_{pZH} and t_{pZL}.
- [4] C_{PD} is used to determine the dynamic power dissipation (P_D in μW).
 $P_D = C_{PD} \times V_{CC}^2 \times f_i + \sum((C_L + C_{sw}) \times V_{CC}^2 \times f_o)$ where:
 f_i = input frequency in MHz;
 f_o = output frequency in MHz;
 $\sum((C_L + C_{sw}) \times V_{CC}^2 \times f_o)$ = sum of outputs;
 C_L = output load capacitance in pF;
 C_{sw} = switch capacitance in pF;
 V_{CC} = supply voltage in V.

11.1. Waveforms and test circuit

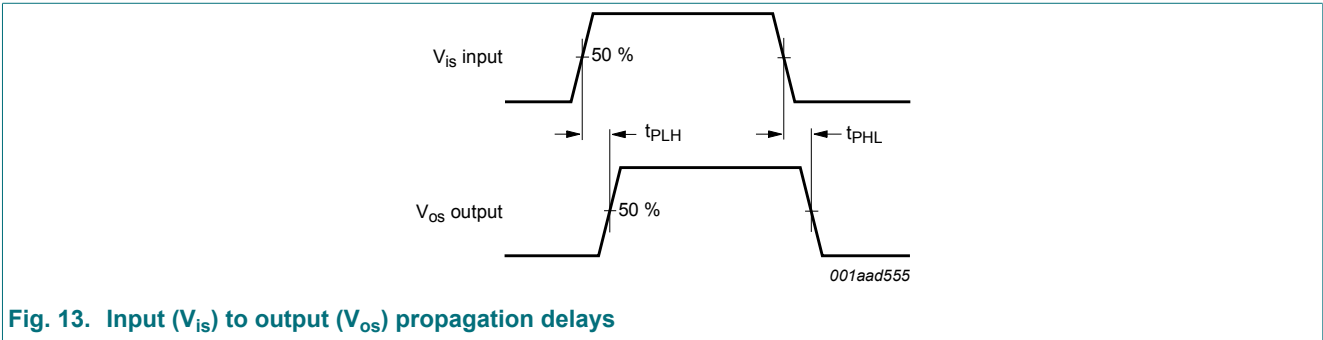
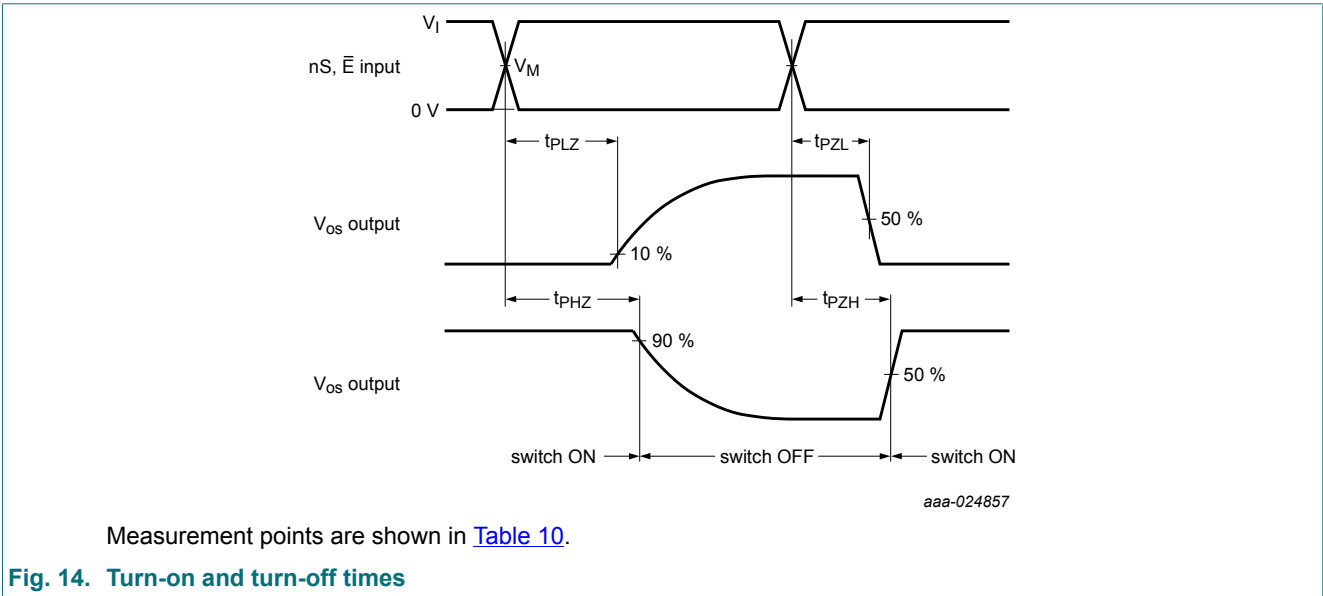


Fig. 13. Input (V_{is}) to output (V_{os}) propagation delays



Measurement points are shown in [Table 10](#).

Fig. 14. Turn-on and turn-off times

Table 10. Measurement points

Type	V_I	V_M
74HC4316	V_{CC}	$0.5V_{CC}$
74HCT4316	3.0 V	1.3 V

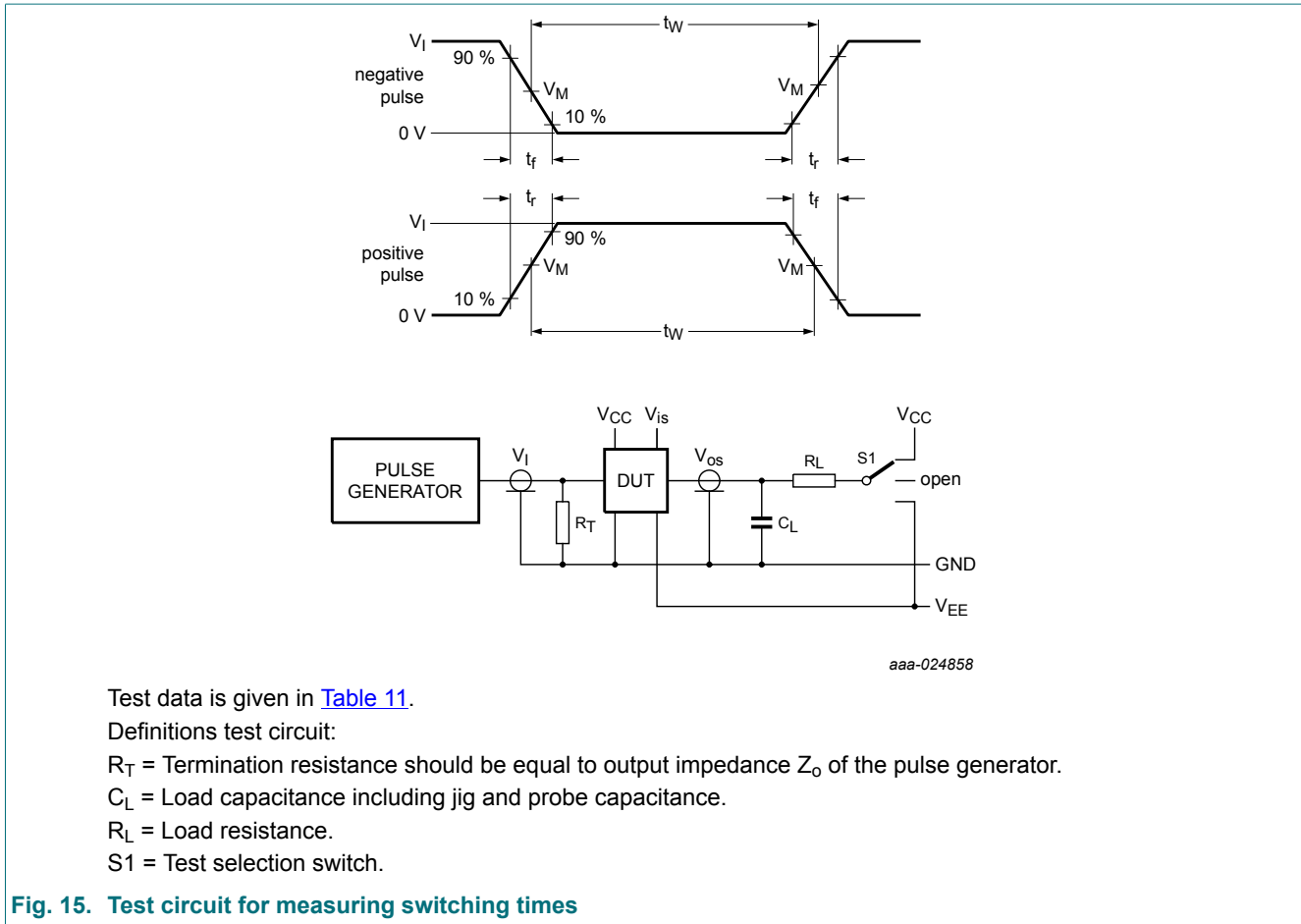


Fig. 15. Test circuit for measuring switching times

Table 11. Test data

Test	Input				Output		S1 position	
	\bar{E}	nS	Switch nY (nZ)	t_r, t_f		Switch nZ (nY)		
	V_I		V_{is}	at f_{max}	other [1]	C_L		R_L
t_{PHL}, t_{PLH}	[2]		GND to V_{CC}	< 2 ns	6 ns	50 pF	-	open
t_{PHZ}, t_{PZH}	[2]		V_{CC}	< 2 ns	6 ns	50 pF, 15 pF	1 k Ω	V_{EE}
t_{PLZ}, t_{PZL}	[2]		V_{EE}	< 2 ns	6 ns	50 pF, 15 pF	1 k Ω	V_{CC}

[1] $t_r = t_f = 6$ ns; when measuring f_{max} , there is no constraint to t_r and t_f with 50 % duty factor.

[2] V_I values:

For 74HC4316: $V_I = V_{CC}$

For 74HCT4316: $V_I = 3$ V

11.2. Additional dynamic characteristics

Table 12. Additional dynamic characteristics

Recommended conditions and typical values; $GND = 0\text{ V}$; $T_{amb} = 25\text{ }^\circ\text{C}$; $C_L = 50\text{ pF}$.

V_{is} is the input voltage at a nY or nZ terminal, whichever is assigned as an input.

V_{os} is the output voltage at a nY or nZ terminal, whichever is assigned as an output.

Symbol	Parameter	Conditions	Min	Typ	Max	Unit
THD	total harmonic distortion	$f_i = 1\text{ kHz}$; $R_L = 10\text{ k}\Omega$; see Fig. 16				
		$V_{is} = 4.0\text{ V (p-p)}$; $V_{CC} = 2.25\text{ V}$; $V_{EE} = -2.25\text{ V}$	-	0.80	-	%
		$V_{is} = 8.0\text{ V (p-p)}$; $V_{CC} = 4.5\text{ V}$; $V_{EE} = -4.5\text{ V}$	-	0.40	-	%
		$f_i = 10\text{ kHz}$; $R_L = 10\text{ k}\Omega$; see Fig. 16				
		$V_{is} = 4.0\text{ V (p-p)}$; $V_{CC} = 2.25\text{ V}$; $V_{EE} = -2.25\text{ V}$	-	2.40	-	%
		$V_{is} = 8.0\text{ V (p-p)}$; $V_{CC} = 4.5\text{ V}$; $V_{EE} = -4.5\text{ V}$	-	1.20	-	%
$f_{(-3\text{dB})}$	-3 dB frequency response	$R_L = 50\text{ }\Omega$; $C_L = 10\text{ pF}$; see Fig. 17 [1]				
		$V_{CC} = 2.25\text{ V}$; $V_{EE} = -2.25\text{ V}$	-	150	-	MHz
		$V_{CC} = 4.5\text{ V}$; $V_{EE} = -4.5\text{ V}$	-	160	-	MHz
α_{iso}	isolation (OFF-state)	$R_L = 600\text{ }\Omega$; $f_i = 1\text{ MHz}$; see Fig. 18 [2]				
		$V_{CC} = 2.25\text{ V}$; $V_{EE} = -2.25\text{ V}$	-	-50	-	dB
		$V_{CC} = 4.5\text{ V}$; $V_{EE} = -4.5\text{ V}$	-	-50	-	dB
V_{ct}	crosstalk voltage	between digital input and switch (peak to peak value); $R_L = 600\text{ }\Omega$; $f_i = 1\text{ MHz}$; \bar{E} or nS square wave between V_{CC} and GND; $t_r = t_f = 6\text{ ns}$; see Fig. 19				
		$V_{CC} = 4.5\text{ V}$; $V_{EE} = 0\text{ V}$	-	110	-	mV
		$V_{CC} = 4.5\text{ V}$; $V_{EE} = -4.5\text{ V}$	-	220	-	mV
Xtalk	crosstalk	between switches; $R_L = 600\text{ }\Omega$; $f_i = 1\text{ MHz}$; see Fig. 20 [2]				
		$V_{CC} = 2.25\text{ V}$; $V_{EE} = -2.25\text{ V}$	-	-60	-	dB
		$V_{CC} = 4.5\text{ V}$; $V_{EE} = -4.5\text{ V}$	-	-60	-	dB

[1] Adjust input voltage V_{is} to 0 dBm level at V_{os} for 1 MHz (0 dBm = 1 mW into 50 Ω).

[2] Adjust input voltage V_{is} to 0 dBm level (0 dBm = 1 mW into 600 Ω).



Fig. 16. Test circuit for measuring total harmonic distortion



$V_{CC} = 4.5\text{ V}$; $GND = 0\text{ V}$; $V_{EE} = -4.5\text{ V}$; $R_L = 50\ \Omega$; $R_S = 1\text{ k}\Omega$.

a. Test circuit



b. Typical -3 dB frequency response

Fig. 17. -3 dB frequency response



$V_{CC} = 4.5\text{ V}$; $GND = 0\text{ V}$; $V_{EE} = -4.5\text{ V}$; $R_L = 600\ \Omega$; $R_S = 1\text{ k}\Omega$.

a. Test circuit



b. Isolation (OFF-state) as a function of frequency

Fig. 18. Isolation (OFF-state) as a function of frequency



Fig. 19. Test circuit for measuring crosstalk voltage (between the digital input and the switch)

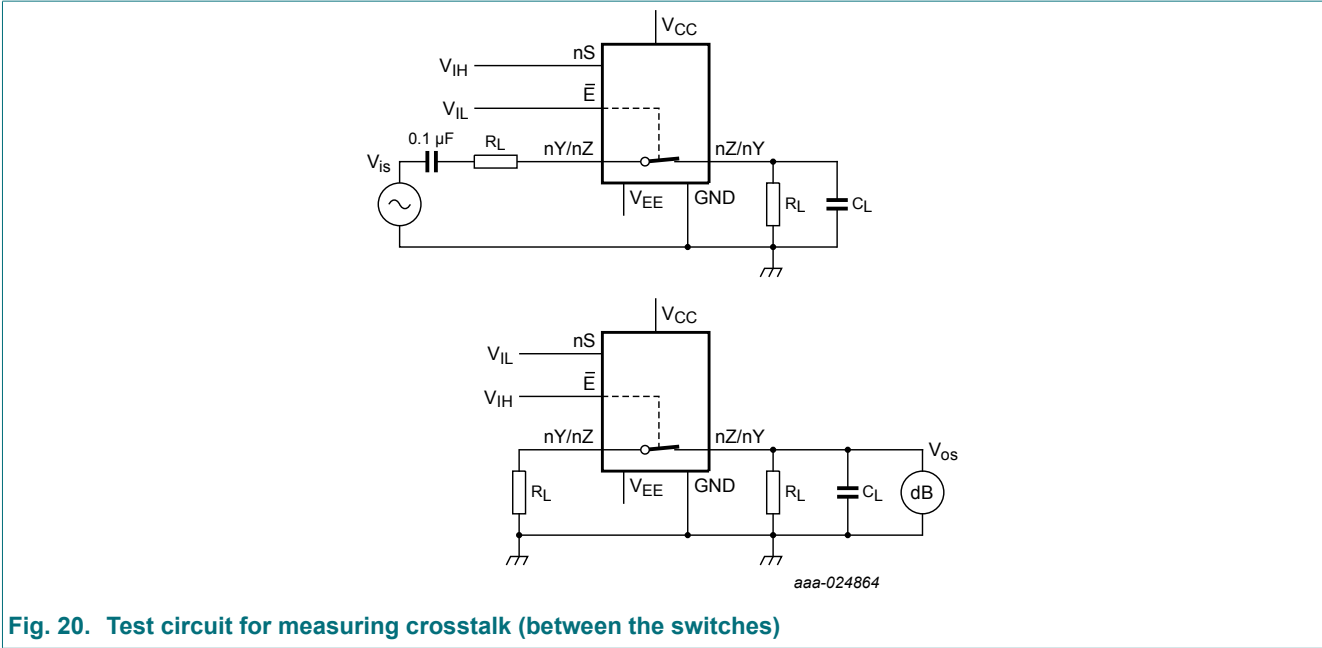


Fig. 20. Test circuit for measuring crosstalk (between the switches)

12. Package outline

SO16: plastic small outline package; 16 leads; body width 3.9 mm

SOT109-1



DIMENSIONS (inch dimensions are derived from the original mm dimensions)

UNIT	A max.	A ₁	A ₂	A ₃	b _p	c	D ⁽¹⁾	E ⁽¹⁾	e	H _E	L	L _p	Q	v	w	y	Z ⁽¹⁾	θ
mm	1.75	0.25 0.10	1.45 1.25	0.25	0.49 0.36	0.25 0.19	10.0 9.8	4.0 3.8	1.27	6.2 5.8	1.05	1.0 0.4	0.7 0.6	0.25	0.25	0.1	0.7 0.3	8° 0°
inches	0.069	0.010 0.004	0.057 0.049	0.01	0.019 0.014	0.0100 0.0075	0.39 0.38	0.16 0.15	0.05	0.244 0.228	0.041	0.039 0.016	0.028 0.020	0.01	0.01	0.004	0.028 0.012	

Note

1. Plastic or metal protrusions of 0.15 mm (0.006 inch) maximum per side are not included.

OUTLINE VERSION	REFERENCES				EUROPEAN PROJECTION	ISSUE DATE
	IEC	JEDEC	JEITA			
SOT109-1	076E07	MS-012				99-12-27 03-02-19

Fig. 21. Package outline SOT109-1 (SO16)

SSOP16: plastic shrink small outline package; 16 leads; body width 5.3 mm

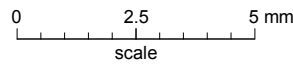
SOT338-1



Fig. 22. Package outline SOT338-1 (SSOP16)

TSSOP16: plastic thin shrink small outline package; 16 leads; body width 4.4 mm

SOT403-1



DIMENSIONS (mm are the original dimensions)

UNIT	A max.	A ₁	A ₂	A ₃	b _p	c	D ⁽¹⁾	E ⁽²⁾	e	H _E	L	L _p	Q	v	w	y	z ⁽¹⁾	θ
mm	1.1	0.15 0.05	0.95 0.80	0.25	0.30 0.19	0.2 0.1	5.1 4.9	4.5 4.3	0.65	6.6 6.2	1	0.75 0.50	0.4 0.3	0.2	0.13	0.1	0.40 0.06	8° 0°

Notes

1. Plastic or metal protrusions of 0.15 mm maximum per side are not included.
2. Plastic interlead protrusions of 0.25 mm maximum per side are not included.

OUTLINE VERSION	REFERENCES				EUROPEAN PROJECTION	ISSUE DATE
	IEC	JEDEC	JEITA			
SOT403-1		MO-153				99-12-27 03-02-18

Fig. 23. Package outline SOT403-1 (TSSOP16)

13. Abbreviations

Table 13. Abbreviations

Acronym	Description
CMOS	Complementary Metal-Oxide Semiconductor
DUT	Device Under Test
ESD	ElectroStatic Discharge
HBM	Human Body Model
MM	Machine Model
TTL	Transistor-Transistor Logic

14. Revision history

Table 14. Revision history

Document ID	Release date	Data sheet status	Change notice	Supersedes
74HC_HCT4316 v.4	20181016	Product data sheet	-	74HC_HCT4316 v.3
Modifications:	<ul style="list-style-type: none"> The format of this data sheet has been redesigned to comply with the identity guidelines of Nexperia. Legal texts have been adapted to the new company name where appropriate. 			
74HC_HCT4316 v.3	20170102	Product data sheet	-	74HC_HCT4316_CNV v.2
Modifications:	<ul style="list-style-type: none"> The format of this data sheet has been redesigned to comply with the new identity guidelines of NXP Semiconductors. Legal texts have been adapted to the new company name where appropriate. Type numbers 74HC4316N and 74HCT4316N removed. 			
74HC_HCT4316_CNV v.2	19930901	Product specification	-	-

15. Legal information

Data sheet status

Document status [1][2]	Product status [3]	Definition
Objective [short] data sheet	Development	This document contains data from the objective specification for product development.
Preliminary [short] data sheet	Qualification	This document contains data from the preliminary specification.
Product [short] data sheet	Production	This document contains the product specification.

- [1] Please consult the most recently issued document before initiating or completing a design.
- [2] The term 'short data sheet' is explained in section "Definitions".
- [3] The product status of device(s) described in this document may have changed since this document was published and may differ in case of multiple devices. The latest product status information is available on the internet at <https://www.nexperia.com>.

Definitions

Draft — The document is a draft version only. The content is still under internal review and subject to formal approval, which may result in modifications or additions. Nexperia does not give any representations or warranties as to the accuracy or completeness of information included herein and shall have no liability for the consequences of use of such information.

Short data sheet — A short data sheet is an extract from a full data sheet with the same product type number(s) and title. A short data sheet is intended for quick reference only and should not be relied upon to contain detailed and full information. For detailed and full information see the relevant full data sheet, which is available on request via the local Nexperia sales office. In case of any inconsistency or conflict with the short data sheet, the full data sheet shall prevail.

Product specification — The information and data provided in a Product data sheet shall define the specification of the product as agreed between Nexperia and its customer, unless Nexperia and customer have explicitly agreed otherwise in writing. In no event however, shall an agreement be valid in which the Nexperia product is deemed to offer functions and qualities beyond those described in the Product data sheet.

Disclaimers

Limited warranty and liability — Information in this document is believed to be accurate and reliable. However, Nexperia does not give any representations or warranties, expressed or implied, as to the accuracy or completeness of such information and shall have no liability for the consequences of use of such information. Nexperia takes no responsibility for the content in this document if provided by an information source outside of Nexperia.

In no event shall Nexperia be liable for any indirect, incidental, punitive, special or consequential damages (including - without limitation - lost profits, lost savings, business interruption, costs related to the removal or replacement of any products or rework charges) whether or not such damages are based on tort (including negligence), warranty, breach of contract or any other legal theory.

Notwithstanding any damages that customer might incur for any reason whatsoever, Nexperia's aggregate and cumulative liability towards customer for the products described herein shall be limited in accordance with the Terms and conditions of commercial sale of Nexperia.

Right to make changes — Nexperia reserves the right to make changes to information published in this document, including without limitation specifications and product descriptions, at any time and without notice. This document supersedes and replaces all information supplied prior to the publication hereof.

Suitability for use — Nexperia products are not designed, authorized or warranted to be suitable for use in life support, life-critical or safety-critical systems or equipment, nor in applications where failure or malfunction of an Nexperia product can reasonably be expected to result in personal

injury, death or severe property or environmental damage. Nexperia and its suppliers accept no liability for inclusion and/or use of Nexperia products in such equipment or applications and therefore such inclusion and/or use is at the customer's own risk.

Quick reference data — The Quick reference data is an extract of the product data given in the Limiting values and Characteristics sections of this document, and as such is not complete, exhaustive or legally binding.

Applications — Applications that are described herein for any of these products are for illustrative purposes only. Nexperia makes no representation or warranty that such applications will be suitable for the specified use without further testing or modification.

Customers are responsible for the design and operation of their applications and products using Nexperia products, and Nexperia accepts no liability for any assistance with applications or customer product design. It is customer's sole responsibility to determine whether the Nexperia product is suitable and fit for the customer's applications and products planned, as well as for the planned application and use of customer's third party customer(s). Customers should provide appropriate design and operating safeguards to minimize the risks associated with their applications and products.

Nexperia does not accept any liability related to any default, damage, costs or problem which is based on any weakness or default in the customer's applications or products, or the application or use by customer's third party customer(s). Customer is responsible for doing all necessary testing for the customer's applications and products using Nexperia products in order to avoid a default of the applications and the products or of the application or use by customer's third party customer(s). Nexperia does not accept any liability in this respect.

Limiting values — Stress above one or more limiting values (as defined in the Absolute Maximum Ratings System of IEC 60134) will cause permanent damage to the device. Limiting values are stress ratings only and (proper) operation of the device at these or any other conditions above those given in the Recommended operating conditions section (if present) or the Characteristics sections of this document is not warranted. Constant or repeated exposure to limiting values will permanently and irreversibly affect the quality and reliability of the device.

Terms and conditions of commercial sale — Nexperia products are sold subject to the general terms and conditions of commercial sale, as published at <http://www.nexperia.com/profile/terms>, unless otherwise agreed in a valid written individual agreement. In case an individual agreement is concluded only the terms and conditions of the respective agreement shall apply. Nexperia hereby expressly objects to applying the customer's general terms and conditions with regard to the purchase of Nexperia products by customer.

No offer to sell or license — Nothing in this document may be interpreted or construed as an offer to sell products that is open for acceptance or the grant, conveyance or implication of any license under any copyrights, patents or other industrial or intellectual property rights.

Export control — This document as well as the item(s) described herein may be subject to export control regulations. Export might require a prior authorization from competent authorities.

Non-automotive qualified products — Unless this data sheet expressly states that this specific Nexperia product is automotive qualified, the product is not suitable for automotive use. It is neither qualified nor tested in accordance with automotive testing or application requirements. Nexperia accepts no liability for inclusion and/or use of non-automotive qualified products in automotive equipment or applications.

In the event that customer uses the product for design-in and use in automotive applications to automotive specifications and standards, customer (a) shall use the product without Nexperia's warranty of the product for such automotive applications, use and specifications, and (b) whenever customer uses the product for automotive applications beyond Nexperia's specifications such use shall be solely at customer's own risk, and (c) customer fully indemnifies Nexperia for any liability, damages or failed product claims resulting from customer design and use of the product for automotive applications beyond Nexperia's standard warranty and Nexperia's product specifications.

Translations — A non-English (translated) version of a document is for reference only. The English version shall prevail in case of any discrepancy between the translated and English versions.

Trademarks

Notice: All referenced brands, product names, service names and trademarks are the property of their respective owners.

Contents

1. General description	1
2. Features and benefits	1
3. Applications	1
4. Ordering information	2
5. Functional diagram	2
6. Pinning information	4
6.1. Pinning.....	4
6.2. Pin description.....	4
7. Functional description	4
8. Limiting values	5
9. Recommended operating conditions	5
10. Static characteristics	6
11. Dynamic characteristics	11
11.1. Waveforms and test circuit.....	13
11.2. Additional dynamic characteristics.....	15
12. Package outline	19
13. Abbreviations	22
14. Revision history	22
15. Legal information	23

© Nexperia B.V. 2018. All rights reserved

For more information, please visit: <http://www.nexperia.com>
For sales office addresses, please send an email to: salesaddresses@nexperia.com
Date of release: 15 October 2018



Компания «ЭлектроПласт» предлагает заключение долгосрочных отношений при поставках импортных электронных компонентов на взаимовыгодных условиях!

Наши преимущества:

- Оперативные поставки широкого спектра электронных компонентов отечественного и импортного производства напрямую от производителей и с крупнейших мировых складов;
- Поставка более 17-ти миллионов наименований электронных компонентов;
- Поставка сложных, дефицитных, либо снятых с производства позиций;
- Оперативные сроки поставки под заказ (от 5 рабочих дней);
- Экспресс доставка в любую точку России;
- Техническая поддержка проекта, помощь в подборе аналогов, поставка прототипов;
- Система менеджмента качества сертифицирована по Международному стандарту ISO 9001;
- Лицензия ФСБ на осуществление работ с использованием сведений, составляющих государственную тайну;
- Поставка специализированных компонентов (Xilinx, Altera, Analog Devices, Intersil, Interpoint, Microsemi, Aeroflex, Peregrine, Syfer, Eurofarad, Texas Instrument, Miteq, Cobham, E2V, MA-COM, Hittite, Mini-Circuits, General Dynamics и др.);

Помимо этого, одним из направлений компании «ЭлектроПласт» является направление «Источники питания». Мы предлагаем Вам помощь Конструкторского отдела:

- Подбор оптимального решения, техническое обоснование при выборе компонента;
- Подбор аналогов;
- Консультации по применению компонента;
- Поставка образцов и прототипов;
- Техническая поддержка проекта;
- Защита от снятия компонента с производства.



Как с нами связаться

Телефон: 8 (812) 309 58 32 (многоканальный)

Факс: 8 (812) 320-02-42

Электронная почта: org@eplast1.ru

Адрес: 198099, г. Санкт-Петербург, ул. Калинина, дом 2, корпус 4, литера А.