

THIS DRAWING IS UNPUBLISHED. RELEASED FOR PUBLICATION
 © COPYRIGHT - By - ALL RIGHTS RESERVED.

| LOC | DIST | REVISIONS | | | |
|-----|------|-------------|---------------------------|---------|--------|
| P | LTR | DESCRIPTION | DATE | DWN | APVD |
| AD | 00 | AL2 | REVISED PER ECO-11-004820 | 11MAR11 | RK HMR |

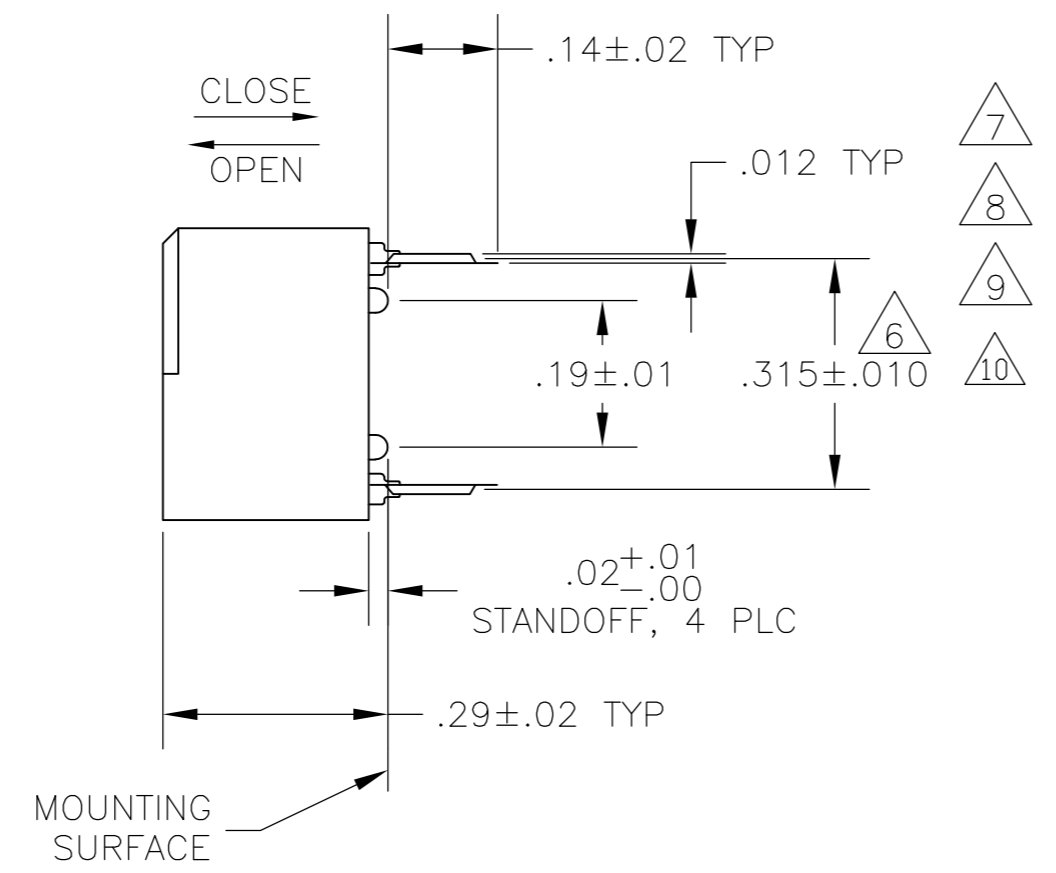
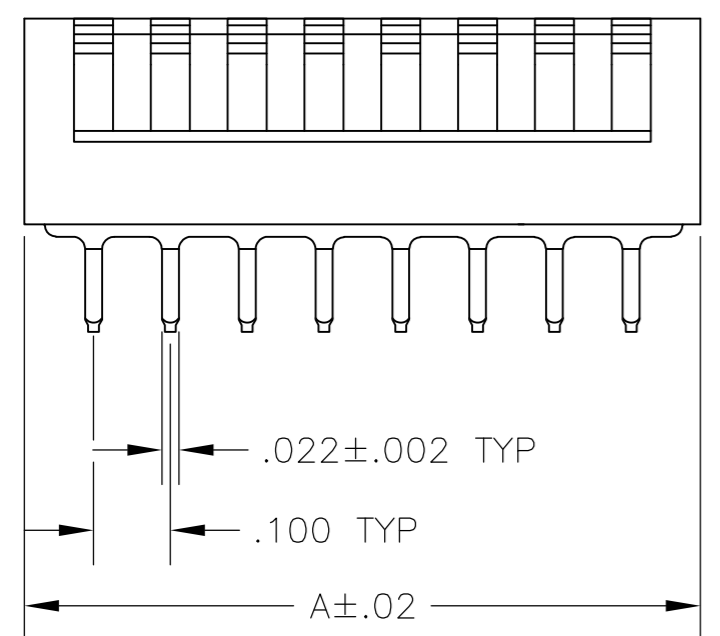
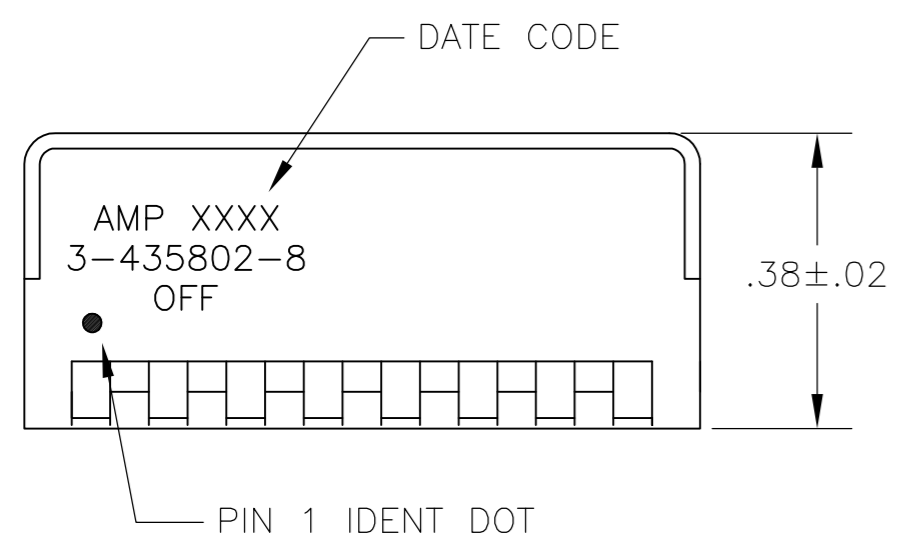
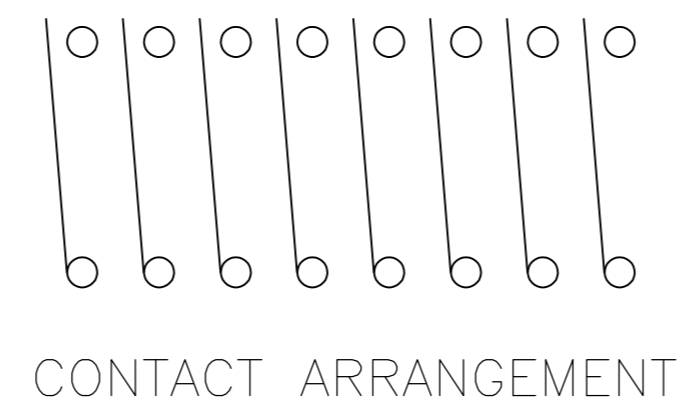


FIG 1



- 7 NO POSITION MARKING.
- 8 NO PART NO. MARKING.
- 9 STRIPPABLE TAPE SEAL, SEE FIGURE 8.
- 10 OBSOLETE PARTS: OBSOLETE CIS STREAMLINING PER D.RENAUD/D.SINISI

- 1 FOR ADDITIONAL SPECIFICATIONS SEE AMP PRODUCT SPEC 108-7519.
- 2 SWITCH SHOWN IN OPEN POSITION.
- 3 ALL CHARACTERS AND ROCKERS ARE WHITE, HOUSING IS BLACK.
- 4 STAMPING WILL VARY ON 2 AND 3 POSITION TOPS DUE TO SPACE RESTRICTIONS.
- 5 STRIPPABLE TRANSPARENT SEAL, SEE FIG 6.
- 6 .315 DIMENSION APPLIES AT TERMINAL TIPS. TERMINALS ARE .300^{+.010}_{-.000} AT MOUNTING SURFACE.

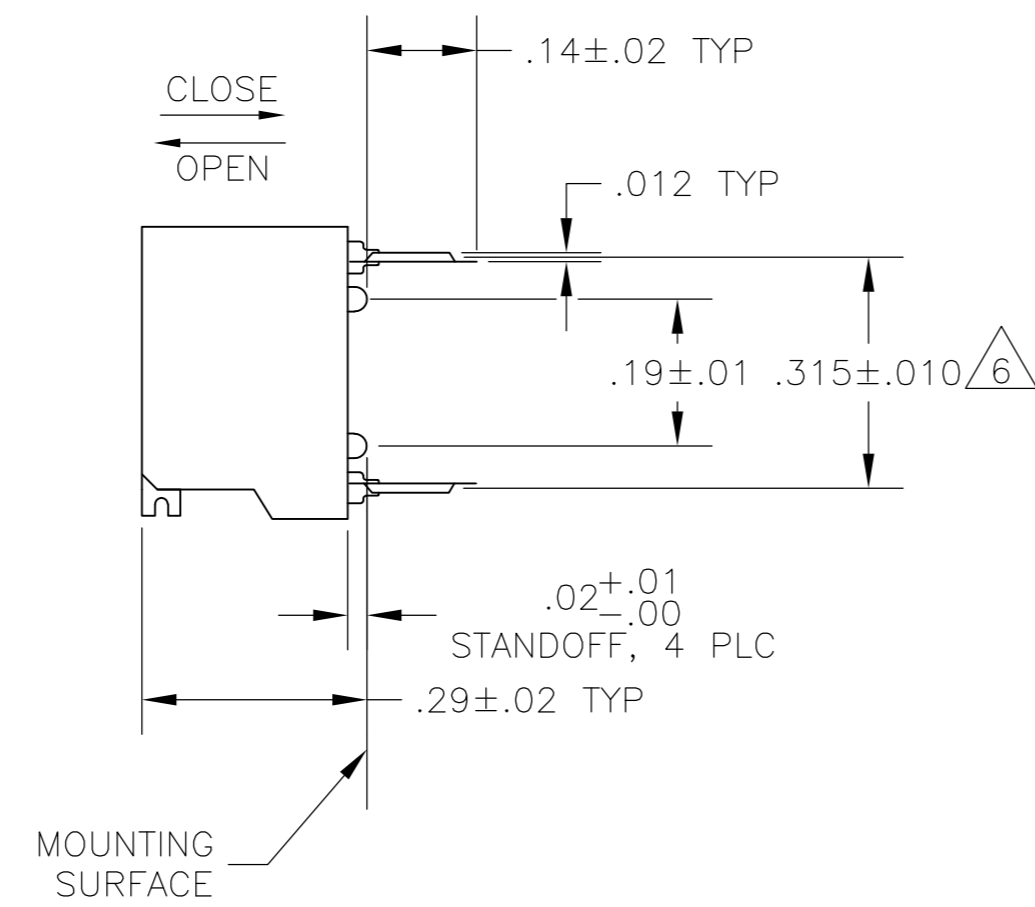
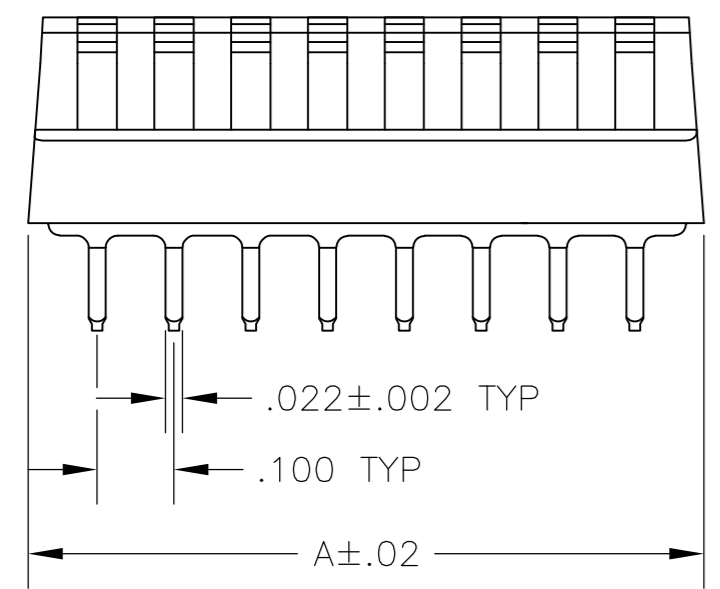
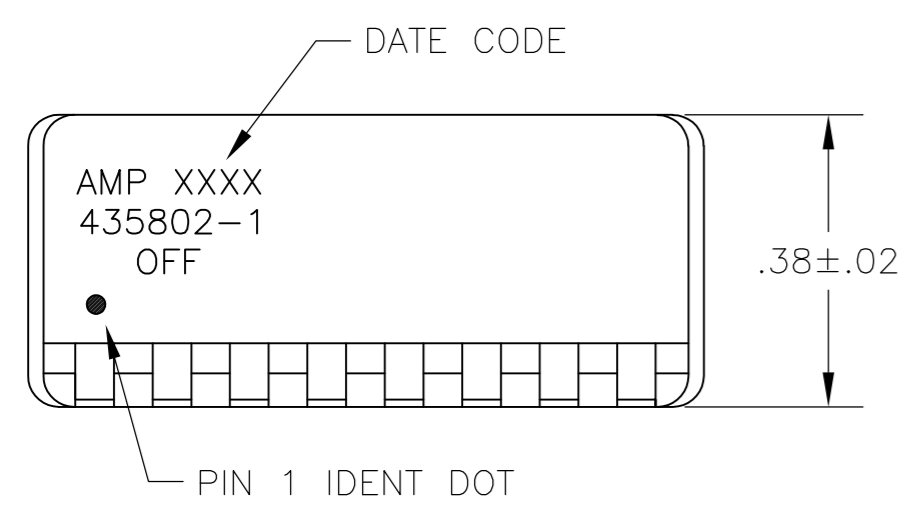


FIG 2

| | FIG 2 | FIG 3A& 7 | | | | |
|-----------------------|---------|-----------|-----------------|------|------------|------------|
| | FIG 1 | FIG 3B | 9 | .88 | 8 | 3-435802-8 |
| SUPSD BY 1-435802-6 | FIG 2 | 7 8 | 5 | .58 | 5 | 3-435802-1 |
| 10 OBSOLETE | FIG 2 | 7 8 | 5 | .88 | 8 | 3-435802-0 |
| SUPSD BY 2-5435802-9 | FIG 2 | 7 8 | 5 | .48 | 4 | 2-435802-9 |
| SUPSD BY 1-435802-0 | FIG 1 | 7 | 5 | .28 | 2 | 2-435802-8 |
| OBSOLETE | FIG 1 | 7 | 5 | .28 | 2 | 2-435802-7 |
| OBSOLETE | FIG 2 | 7 | 5 | 1.08 | 10 | 2-435802-6 |
| OBSOLETE | FIG 2 | FIG 4 | | .88 | 8 | 2-435802-5 |
| OBSOLETE | FIG 2 | 7 | 5 | .88 | 8 | 2-435802-4 |
| OBSOLETE | FIG 2 | FIG 3A& 5 | | .48 | 4 | 2-435802-3 |
| | FIG 2 | | | 1.28 | 12 | 2-435802-2 |
| | FIG 2 | | | 1.18 | 11 | 2-435802-1 |
| | FIG 2 | | | 1.08 | 10 | 2-435802-0 |
| | FIG 2 | | 5 | .98 | 9 | 1-435802-9 |
| | FIG 2 | FIG 3A | | .78 | 7 | 1-435802-8 |
| | FIG 2 | | | .68 | 6 | 1-435802-7 |
| | FIG 2 | | | .58 | 5 | 1-435802-6 |
| | FIG 2 | | | .48 | 4 | 1-435802-5 |
| | FIG 2 | | | .38 | 3 | 1-435802-4 |
| SUPSD BY 435802-2 | FIG 2 | | 5 | .28 | 2 | 1-435802-3 |
| SUPSD BY 3-1437590-2 | FIG 1 | FIG 3B | | 1.28 | 12 | 1-435802-2 |
| 10 OBSOLETE | FIG 2 | | | .28 | 2 | 1-435802-0 |
| | FIG 2 | FIG 3B | 5 | .88 | 8 | 435802-9 |
| | FIG 2 | | | 1.08 | 10 | 435802-8 |
| 10 SUPSD BY 5435802-7 | FIG 2 | FIG 3A | | .98 | 9 | 435802-7 |
| | FIG 2 | | | .78 | 7 | 435802-6 |
| | FIG 2 | | | .68 | 6 | 435802-5 |
| | FIG 2 | | | .58 | 5 | 435802-4 |
| | FIG 2 | | | .48 | 4 | 435802-3 |
| | FIG 2 | FIG 3A | | .38 | 3 | 435802-2 |
| | FIG 2 | FIG 3A | | .88 | 8 | 435802-1 |
| | HOUSING | MARKING | PROTECTIVE SEAL | A | NO OF POSN | PART NO. |

435802-1 SHOWN

THIS DRAWING IS A CONTROLLED DOCUMENT.

| | | | |
|--|--|------------------------|---|
| DIMENSIONS: INCHES | TOLERANCES UNLESS OTHERWISE SPECIFIED: | DWN R. TALLEY 9-19-89 | |
| | | CHK R. MILLER 9-19-89 | |
| | | APVD H. LEITER 9-19-89 | |
| | | PRODUCT SPEC | |
| | | APPLICATION SPEC | NAME |
| | | WEIGHT | SIZE CAGE CODE DRAWING NO RESTRICTED TO |
| MATERIAL HOUSING & ROCKERS: POLYESTER CONTACTS: BERYLLIUM COPPER | FINISH CONTACTS: PLATED .000030 MIN GOLD IN CONTACT AREA OVER .000050 MIN NICKEL | SCALE 4:1 | SHEET 1 OF 2 REV AL2 |

SWITCH ASSY, DIP, TYPE C, 7000 SERIES, SPST, SIDE ACTUATED

THIS DRAWING IS UNPUBLISHED. RELEASED FOR PUBLICATION
 © COPYRIGHT - By - ALL RIGHTS RESERVED.

| LOC | DIST | REVISIONS | | | | | |
|-----|------|-----------|-----|-------------|------|-----|------|
| | | P | LTR | DESCRIPTION | DATE | DWN | APVD |
| AD | 00 | - | - | SEE SHEET 1 | - | - | - |

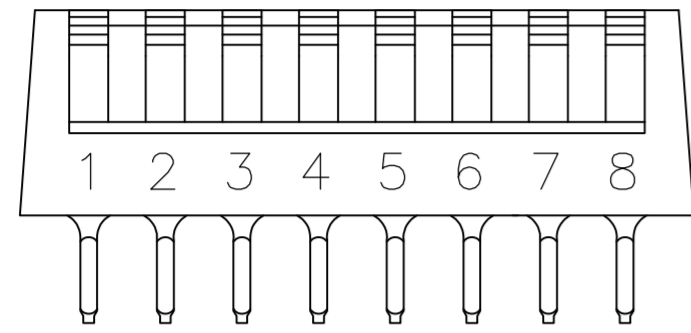


FIG 3A

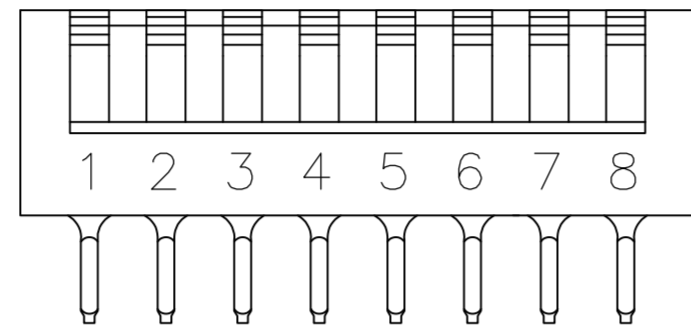


FIG 3B

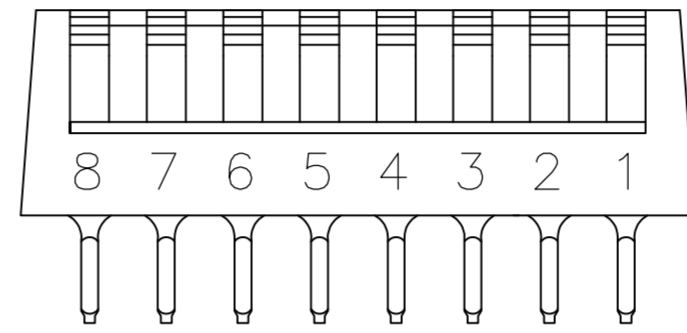


FIG 4

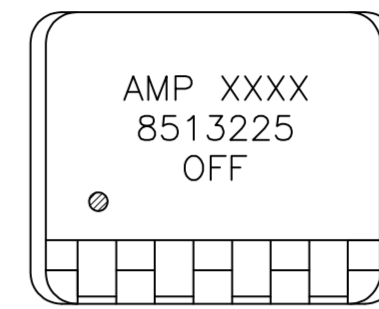
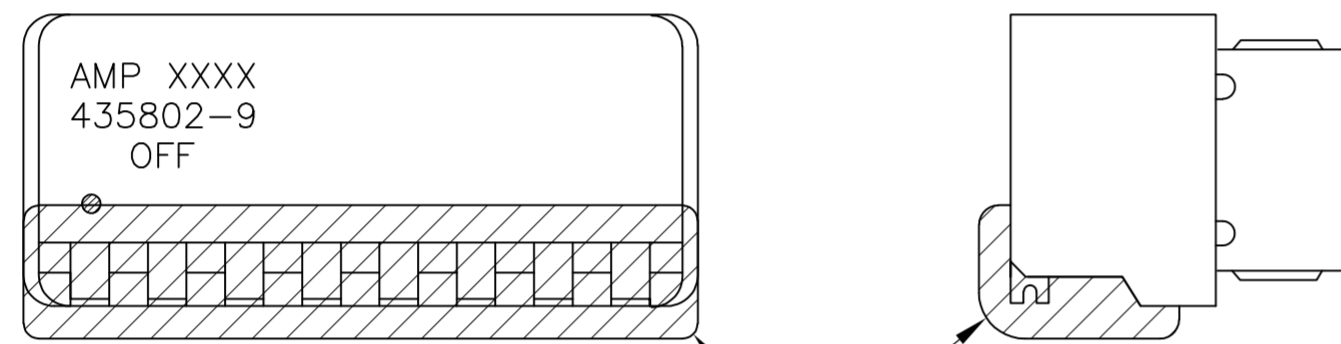
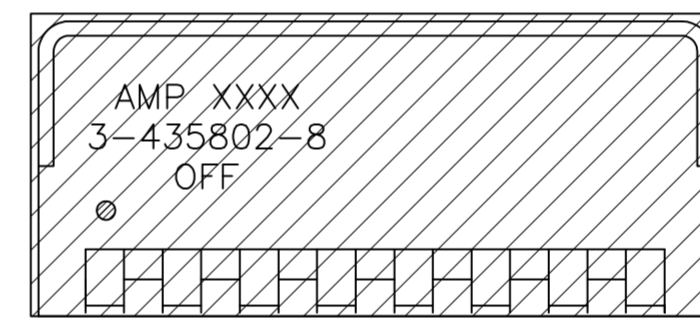


FIG 5



PROTECTIVE SEAL
FIG 6



PROTECTIVE SEAL

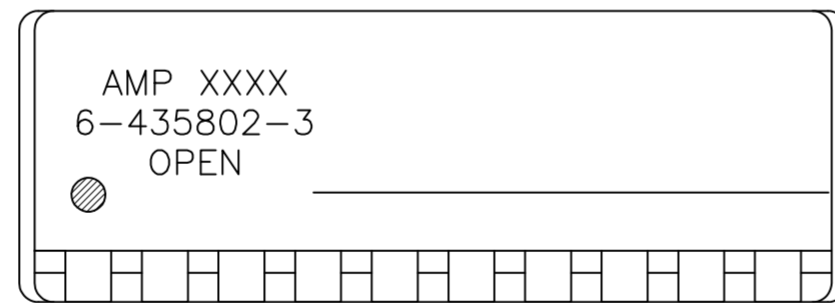


FIG 7

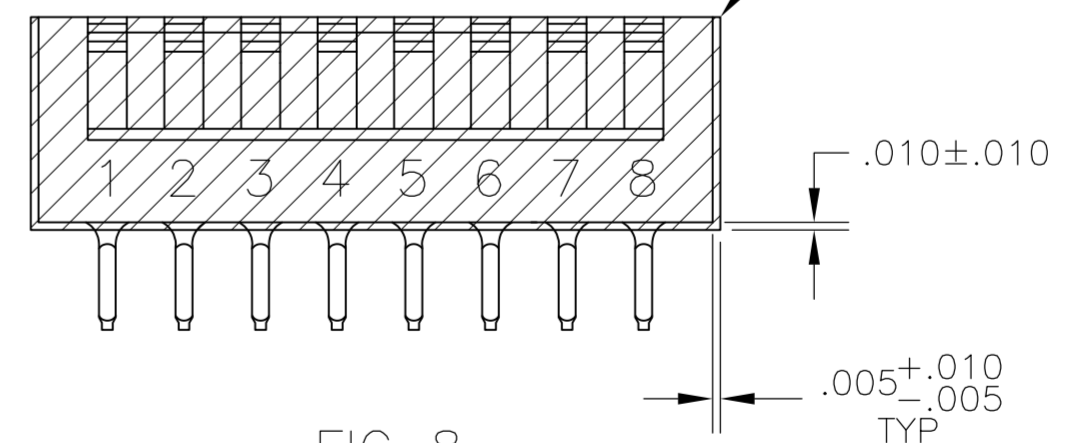


FIG 8

| | | | | | | | | | | | | | | | | | | | | | | | | | | | |
|--|---|------------------------------|---|---|--------------|-----------------|------------|-------|---|---|-------|---|------|-------|---|---|--------|---|---|--------|---|---|----------------------------------|------------|--------------------|------------------------|--------------------|
| THIS DRAWING IS A CONTROLLED DOCUMENT. | | DWN R. TALLEY 9-19-89 | TE Connectivity | | | | | | | | | | | | | | | | | | | | | | | | |
| DIMENSIONS: INCHES | | CHK R. MILLER 9-19-89 | | | | | | | | | | | | | | | | | | | | | | | | | |
| TOLERANCES UNLESS OTHERWISE SPECIFIED: | | APVD H. LEITER 9-19-89 | NAME SWITCH ASSY, DIP, TYPE C, 7000 SERIES, SPST, SIDE ACTUATED | | | | | | | | | | | | | | | | | | | | | | | | |
| <table border="1"> <tr><td>0 PLC</td><td>±</td><td>-</td></tr> <tr><td>1 PLC</td><td>±</td><td>-</td></tr> <tr><td>2 PLC</td><td>±</td><td>-</td></tr> <tr><td>3 PLC</td><td>±</td><td>.005</td></tr> <tr><td>4 PLC</td><td>±</td><td>-</td></tr> <tr><td>ANGLES</td><td>±</td><td>-</td></tr> <tr><td>FINISH</td><td>±</td><td>-</td></tr> </table> | | 0 PLC | ± | - | 1 PLC | ± | - | 2 PLC | ± | - | 3 PLC | ± | .005 | 4 PLC | ± | - | ANGLES | ± | - | FINISH | ± | - | PRODUCT SPEC APPLICATION SPEC | SIZE A2 | CAGE CODE 00779 | DRAWING NO C=435802 | RESTRICTED TO - |
| 0 PLC | ± | - | | | | | | | | | | | | | | | | | | | | | | | | | |
| 1 PLC | ± | - | | | | | | | | | | | | | | | | | | | | | | | | | |
| 2 PLC | ± | - | | | | | | | | | | | | | | | | | | | | | | | | | |
| 3 PLC | ± | .005 | | | | | | | | | | | | | | | | | | | | | | | | | |
| 4 PLC | ± | - | | | | | | | | | | | | | | | | | | | | | | | | | |
| ANGLES | ± | - | | | | | | | | | | | | | | | | | | | | | | | | | |
| FINISH | ± | - | | | | | | | | | | | | | | | | | | | | | | | | | |
| MATERIAL SEE SHEET 1 | | WEIGHT - | CUSTOMER DRAWING | | SCALE 4:1 | SHEET 2 OF 2 | REV AL2 | | | | | | | | | | | | | | | | | | | | |



Компания «ЭлектроПласт» предлагает заключение долгосрочных отношений при поставках импортных электронных компонентов на взаимовыгодных условиях!

Наши преимущества:

- Оперативные поставки широкого спектра электронных компонентов отечественного и импортного производства напрямую от производителей и с крупнейших мировых складов;
- Поставка более 17-ти миллионов наименований электронных компонентов;
- Поставка сложных, дефицитных, либо снятых с производства позиций;
- Оперативные сроки поставки под заказ (от 5 рабочих дней);
- Экспресс доставка в любую точку России;
- Техническая поддержка проекта, помощь в подборе аналогов, поставка прототипов;
- Система менеджмента качества сертифицирована по Международному стандарту ISO 9001;
- Лицензия ФСБ на осуществление работ с использованием сведений, составляющих государственную тайну;
- Поставка специализированных компонентов (Xilinx, Altera, Analog Devices, Intersil, Interpoint, Microsemi, Aeroflex, Peregrine, Syfer, Eurofarad, Texas Instrument, Miteq, Cobham, E2V, MA-COM, Hittite, Mini-Circuits, General Dynamics и др.);

Помимо этого, одним из направлений компании «ЭлектроПласт» является направление «Источники питания». Мы предлагаем Вам помощь Конструкторского отдела:

- Подбор оптимального решения, техническое обоснование при выборе компонента;
- Подбор аналогов;
- Консультации по применению компонента;
- Поставка образцов и прототипов;
- Техническая поддержка проекта;
- Защита от снятия компонента с производства.



Как с нами связаться

Телефон: 8 (812) 309 58 32 (многоканальный)

Факс: 8 (812) 320-02-42

Электронная почта: org@eplast1.ru

Адрес: 198099, г. Санкт-Петербург, ул. Калинина, дом 2, корпус 4, литера А.