

FEATURES

- **One External Resistor Sets the Frequency**
- **Fast Start-Up Time: <1ms**
- **1kHz to 33MHz Frequency Range**
- Frequency Error $\leq 1.5\%$ 5kHz to 20MHz ($T_A = 25^\circ\text{C}$)
- Frequency Error $\leq 2\%$ 5kHz to 20MHz ($T_A = 0^\circ\text{C}$ to 70°C)
- $\pm 40\text{ppm}/^\circ\text{C}$ Temperature Stability
- $0.05\%/V$ Supply Stability
- $50\% \pm 1\%$ Duty Cycle 1kHz to 2MHz
- $50\% \pm 5\%$ Duty Cycle 2MHz to 20MHz
- 1mA Typical Supply Current
- 100Ω CMOS Output Driver
- Operates from a Single 2.7V to 5.5V Supply
- Low Profile (1mm) SOT-23 (ThinSOT™ Package)

APPLICATIONS

- Low Cost Precision Oscillator
- Charge Pump Driver
- Switching Power Supply Clock Reference
- Clocking Switched Capacitor Filters
- Fixed Crystal Oscillator Replacement
- Ceramic Oscillator Replacement
- Small Footprint Replacement for Econ Oscillators

LT, LT, LTC, LTM, Linear Technology and the Linear logo are registered trademarks and ThinSOT is a trademark of Linear Technology Corporation. All other trademarks are the property of their respective owners. Protected by U.S. Patents including 6342817 and 6614313.

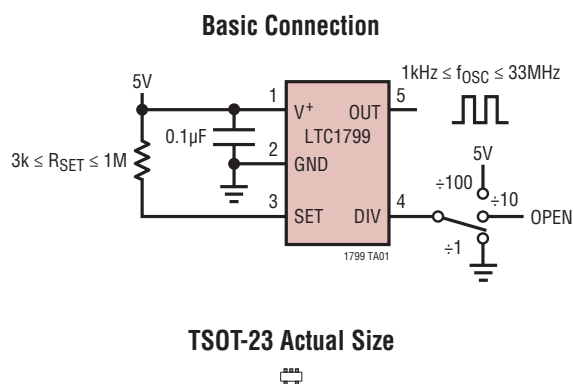
DESCRIPTION

The **LTC®1799** is a precision oscillator that is easy to use and occupies very little PC board space. The oscillator frequency is programmed by a single external resistor (R_{SET}). The LTC1799 has been designed for high accuracy operation ($\leq 1.5\%$ frequency error) without the need for external trim components.

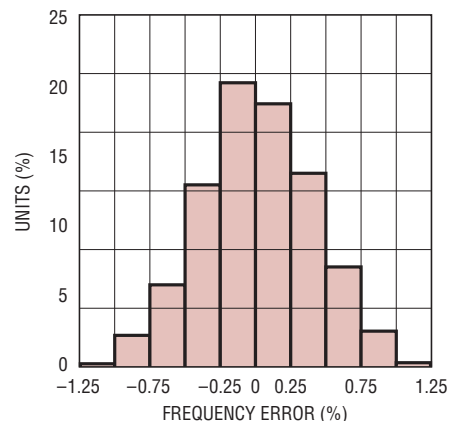
The LTC1799 operates with a single 2.7V to 5.5V power supply and provides a rail-to-rail, 50% duty cycle square wave output. The CMOS output driver ensures fast rise/fall times and rail-to-rail switching. The frequency-setting resistor can vary from 3k to 1M to select a master oscillator frequency between 100kHz and 33MHz (5V supply). The three-state DIV input determines whether the master clock is divided by 1, 10 or 100 before driving the output, providing three frequency ranges spanning 1kHz to 33MHz (5V supply). The LTC1799 features a proprietary feedback loop that linearizes the relationship between R_{SET} and frequency, eliminating the need for tables to calculate frequency. The oscillator can be easily programmed using the simple formula outlined below:

$$f_{\text{OSC}} = 10\text{MHz} \cdot \left(\frac{10\text{k}}{N \cdot R_{\text{SET}}} \right), N = \begin{cases} 100, & \text{DIV Pin} = V^+ \\ 10, & \text{DIV Pin} = \text{Open} \\ 1, & \text{DIV Pin} = \text{GND} \end{cases}$$

TYPICAL APPLICATION



Typical Distribution of Frequency Error,
 $T_A = 25^\circ\text{C}$ ($5\text{kHz} \leq f_{\text{OSC}} \leq 20\text{MHz}$, $V^+ = 5\text{V}$)

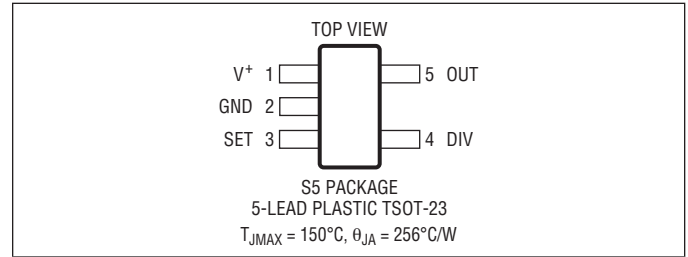


ABSOLUTE MAXIMUM RATINGS

(Note 1)

| | |
|---|---------------------------|
| Supply Voltage (V^+) to GND | -0.3V to 6V |
| DIV to GND | -0.3V to ($V^+ + 0.3V$) |
| SET to GND | -0.3V to ($V^+ + 0.3V$) |
| Operating Temperature Range | |
| LTC1799C | 0°C to 70°C |
| LTC1799I | -40°C to 85°C |
| LTC1799H | -40°C to 125°C |
| Storage Temperature Range | -65°C to 150°C |
| Lead Temperature (Soldering, 10 sec)..... | 300°C |

PIN CONFIGURATION



ORDER INFORMATION

<http://www.linear.com/product/LTC1799#orderinfo>

| LEAD FREE FINISH | TAPE AND REEL | PART MARKING* | PACKAGE DESCRIPTION | TEMPERATURE RANGE |
|------------------|------------------|---------------|------------------------|-------------------|
| LTC1799CS5#PBF | LTC1799CS5#TRPBF | LTND | 5-Lead Plastic TSOT-23 | 0°C to 70°C |
| LTC1799IS5#PBF | LTC1799IS5#TRPBF | LTNE | 5-Lead Plastic TSOT-23 | -40°C to 85°C |
| LTC1799HS5#PBF | LTC1799HS5#TRPBF | LTND | 5-Lead Plastic TSOT-23 | -40°C to 125°C |

Consult LTC Marketing for parts specified with wider operating temperature ranges. *The temperature grade is identified by a label on the shipping container. Consult LTC Marketing for information on non-standard lead based finish parts.

For more information on lead free part marking, go to: <http://www.linear.com/leadfree/>

For more information on tape and reel specifications, go to: <http://www.linear.com/tapeandreel/>. Some packages are available in 500 unit reels through designated sales channels with #TRMPBF suffix.

ELECTRICAL CHARACTERISTICS

The ● denotes the specifications which apply over the full operating temperature range, otherwise specifications are at $T_A = 25^\circ\text{C}$. $V^+ = 2.7\text{V}$ to 5.5V , $R_L = 5\text{k}$, $C_L = 5\text{pF}$, unless otherwise noted. All voltages are with respect to GND.

| SYMBOL | PARAMETER | CONDITIONS | | MIN | TYP | MAX | UNITS | | | |
|---------------------|--|--|---|--------------------------------------|-------------------|-----------|------------|--|-----|-----|
| Δf | Frequency Accuracy (Notes 2, 3) | $V^+ = 5\text{V}$ | $5\text{kHz} \leq f \leq 20\text{MHz}$ | | ± 0.5 | ± 1.5 | % | | | |
| | | | $5\text{kHz} \leq f \leq 20\text{MHz}$, LTC1799C ● | | | ± 2 | % | | | |
| | | | $5\text{kHz} \leq f \leq 20\text{MHz}$, LTC1799I/H ● | | | ± 2.5 | % | | | |
| | | $V^+ = 3\text{V}$ | $1\text{kHz} \leq f \leq 5\text{kHz}$ | | ± 2.5 | | % | | | |
| | | | $20\text{MHz} \leq f \leq 33\text{MHz}$ | | ± 2.5 | | % | | | |
| | | | $5\text{kHz} \leq f \leq 10\text{MHz}$ | | ± 0.5 | ± 1.5 | % | | | |
| R_{SET} | Frequency-Setting Resistor Range | $ \Delta f < 1.5\%$ | $V^+ = 5\text{V}$ | 5 | | 200 | k Ω | | | |
| | | | $V^+ = 3\text{V}$ | 10 | | 200 | k Ω | | | |
| | | f_{MAX} | Maximum Frequency | $ \Delta f < 2.5\%$, Pin 4 = 0V | $V^+ = 5\text{V}$ | | 33 | | MHz | |
| | | | | | $V^+ = 3\text{V}$ | | 20 | | MHz | |
| | | | | $ \Delta f < 2.5\%$, Pin 4 = V^+ | | | 1 | | | kHz |
| | | | | | | | | | | |
| $\Delta f/\Delta T$ | Freq Drift Over Temp (Note 3) | $R_{\text{SET}} = 31.6\text{k}$ | ● | ± 0.004 | | | %/°C | | | |
| $\Delta f/\Delta V$ | Freq Drift Over Supply (Note 3) | $V^+ = 3\text{V}$ to 5V , $R_{\text{SET}} = 31.6\text{k}$ | ● | 0.05 | 0.1 | | %/V | | | |
| | Timing Jitter (Note 4) | Pin 4 = V^+ Pin 4 = Open Pin 4 = 0V | | | 0.06 | | % | | | |
| | | | | | 0.13 | | % | | | |
| | | | | | 0.4 | | % | | | |

1799fd

ELECTRICAL CHARACTERISTICS

The ● denotes the specifications which apply over the full operating temperature range, otherwise specifications are at $T_A = 25^\circ\text{C}$. $V^+ = 2.7\text{V}$ to 5.5V , $R_L = 5\text{k}$, $C_L = 5\text{pF}$, unless otherwise noted. All voltages are with respect to GND.

| SYMBOL | PARAMETER | CONDITIONS | | MIN | TYP | MAX | UNITS |
|-----------|---|---|---|---------------|------|------|--------------------------|
| | Long-Term Stability of Output Frequency | | | | 300 | | ppm/ $\sqrt{\text{kHr}}$ |
| | Duty Cycle (Note 7) | Pin 4 = V^+ or Open (DIV Either by 100 or 10) | | ● 49 | 50 | 51 | % |
| | | Pin 4 = 0V (DIV by 1), $R_{SET} = 5\text{k}$ to 200k | | ● 45 | 50 | 55 | % |
| V^+ | Operating Supply Range | | | ● 2.7 | | 5.5 | V |
| I_S | Power Supply Current | $R_{SET} = 200\text{k}$, Pin 4 = V^+ , $R_L = \infty$ | $V^+ = 5\text{V}$ | ● | 0.7 | 1.1 | mA |
| | | $R_{SET} = 10\text{k}$, Pin 4 = 0V, $R_L = \infty$ | $V^+ = 5\text{V}$ | ● | | 2.4 | mA |
| | | | $V^+ = 3\text{V}$ | ● | | 2 | mA |
| V_{IH} | High Level DIV Input Voltage | | | ● $V^+ - 0.4$ | | | V |
| V_{IL} | Low Level DIV Input Voltage | | | | | 0.5 | V |
| I_{DIV} | DIV Input Current (Note 5) | Pin 4 = V^+ | $V^+ = 5\text{V}$ | ● | 5 | 8 | μA |
| | | Pin 4 = 0V | $V^+ = 5\text{V}$ | ● | -8 | -5 | μA |
| V_{OH} | High Level Output Voltage (Note 5) | $V^+ = 5\text{V}$, LTC1799C/I | $I_{OH} = -1\text{mA}$ | ● | 4.8 | 4.95 | V |
| | | | $I_{OH} = -4\text{mA}$ | ● | 4.5 | 4.8 | V |
| | | $V^+ = 5\text{V}$, LTC1799H | $I_{OH} = -1\text{mA}$ | ● | 4.75 | 4.95 | V |
| | | | $I_{OH} = -4\text{mA}$ | ● | 4.40 | 4.75 | V |
| | | $V^+ = 3\text{V}$, LTC1799C/I | $I_{OH} = -1\text{mA}$ | ● | 2.7 | 2.9 | V |
| | | | $I_{OH} = -4\text{mA}$ | ● | 2.2 | 2.6 | V |
| | | $V^+ = 3\text{V}$, LTC1799H | $I_{OH} = -1\text{mA}$ | ● | 2.65 | 2.90 | V |
| | | | $I_{OH} = -4\text{mA}$ | ● | 2.10 | 2.55 | V |
| V_{OL} | Low Level Output Voltage (Note 5) | $V^+ = 5\text{V}$, LTC1799C/I | $I_{OL} = 1\text{mA}$ | ● | 0.05 | 0.15 | V |
| | | | $I_{OL} = 4\text{mA}$ | ● | 0.2 | 0.4 | V |
| | | $V^+ = 5\text{V}$, LTC1799H | $I_{OL} = 1\text{mA}$ | ● | 0.05 | 0.20 | V |
| | | | $I_{OL} = 4\text{mA}$ | ● | 0.25 | 0.50 | V |
| | | $V^+ = 3\text{V}$, LTC1799C/I | $I_{OL} = 1\text{mA}$ | ● | 0.1 | 0.3 | V |
| | | | $I_{OL} = 4\text{mA}$ | ● | 0.4 | 0.7 | V |
| | | $V^+ = 3\text{V}$, LTC1799H | $I_{OL} = 1\text{mA}$ | ● | 0.10 | 0.35 | V |
| | | | $I_{OL} = 4\text{mA}$ | ● | 0.45 | 0.80 | V |
| t_r | OUT Rise Time (Note 6) | $V^+ = 5\text{V}$ | Pin 4 = V^+ or Floating, $R_L = \infty$ | | 14 | | ns |
| | | | Pin 4 = 0V, $R_L = \infty$ | | 7 | | ns |
| | | $V^+ = 3\text{V}$ | Pin 4 = V^+ or Floating, $R_L = \infty$ | | 19 | | ns |
| | | | Pin 4 = 0V, $R_L = \infty$ | | 11 | | ns |
| t_f | OUT Fall Time (Note 6) | $V^+ = 5\text{V}$ | Pin 4 = V^+ or Floating, $R_L = \infty$ | | 13 | | ns |
| | | | Pin 4 = 0V, $R_L = \infty$ | | 6 | | ns |
| | | $V^+ = 3\text{V}$ | Pin 4 = V^+ or Floating, $R_L = \infty$ | | 19 | | ns |
| | | | Pin 4 = 0V, $R_L = \infty$ | | 10 | | ns |

Note 1: Stresses beyond those listed under Absolute Maximum Ratings may cause permanent damage to the device. Exposure to any Absolute Maximum Rating condition for extended periods may affect device reliability and lifetime.

Note 2: Frequencies near 100kHz and 1MHz may be generated using two different values of R_{SET} (see the Table 1 in the Applications Information section). For these frequencies, the error is specified under the following assumption: $10\text{k} < R_{SET} \leq 100\text{k}$. The frequency accuracy for $f_{OSC} = 20\text{MHz}$ is guaranteed by design and test correlation.

Note 3: Frequency accuracy is defined as the deviation from the f_{OSC} equation.

Note 4: Jitter is the ratio of the peak-to-peak distribution of the period to the mean of the period. This specification is based on characterization and is not 100% tested.

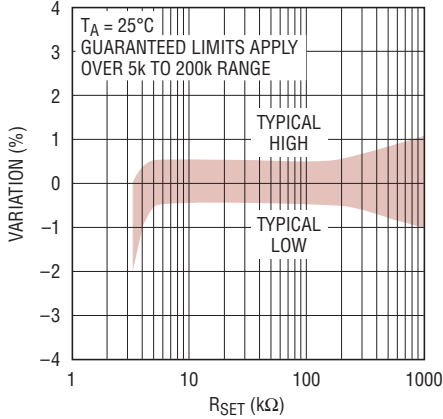
Note 5: To conform with the Logic IC Standard convention, current out of a pin is arbitrarily given as a negative value.

Note 6: Output rise and fall times are measured between the 10% and 90% power supply levels. These specifications are based on characterization.

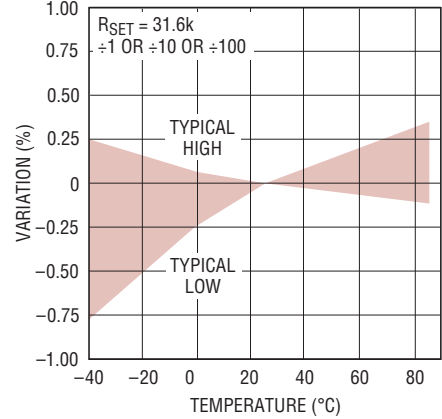
Note 7: Guaranteed by 5V test.

TYPICAL PERFORMANCE CHARACTERISTICS

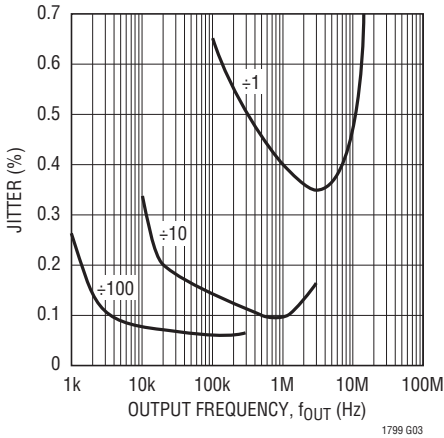
Frequency Variation vs R_{SET}



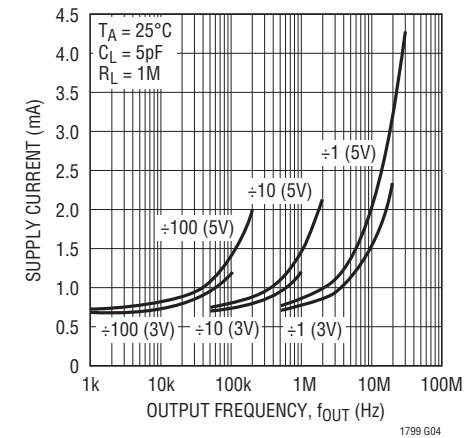
Frequency Variation Over Temperature



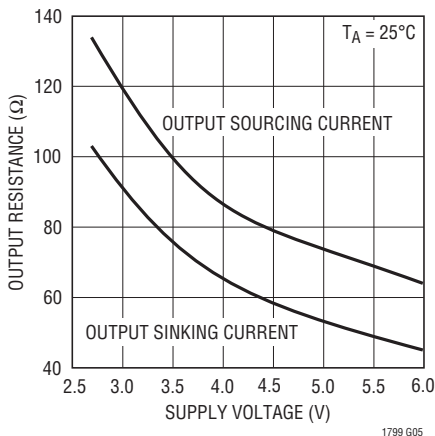
Peak-to-Peak Jitter vs Frequency



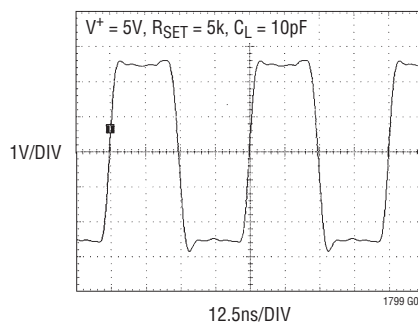
Supply Current vs Output Frequency



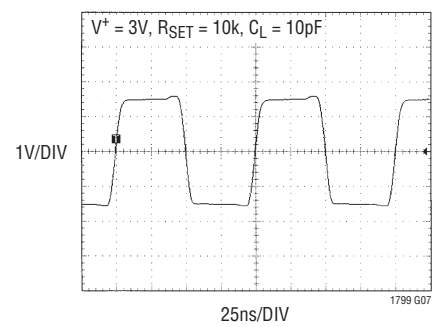
Output Resistance vs Supply Voltage



LTC1799 Output Operating at 20MHz, $V_S = 5V$



LTC1799 Output Operating at 10MHz, $V_S = 3V$



PIN FUNCTIONS

V⁺ (Pin 1): Voltage Supply ($2.7V \leq V^+ \leq 5.5V$). This supply must be kept free from noise and ripple. It should be bypassed directly to a ground plane with a $0.1\mu F$ capacitor.

GND (Pin 2): Ground. Should be tied to a ground plane for best performance.

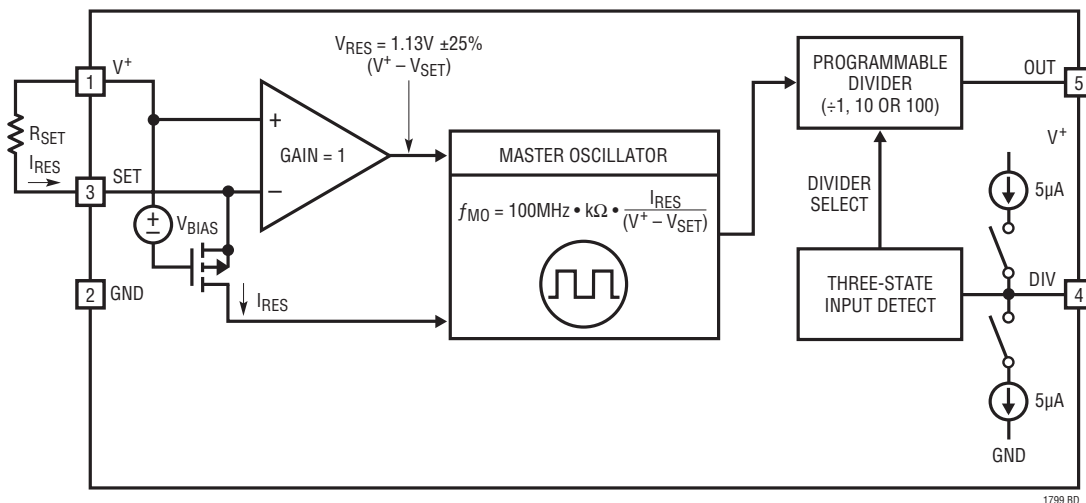
SET (Pin 3): Frequency-Setting Resistor Input. The value of the resistor connected between this pin and V⁺ determines the oscillator frequency. The voltage on this pin is held by the LTC1799 to approximately 1.13V below the V⁺ voltage. For best performance, use a precision metal film resistor with a value between 10k and 200k and limit the capacitance on this pin to less than 10pF.

DIV (Pin 4): Divider-Setting Input. This three-state input selects among three divider settings, determining the value of N in the frequency equation. Pin 4 should be tied to GND for the ÷1 setting, the highest frequency range.

Floating Pin 4 divides the master oscillator by 10. Pin 4 should be tied to V⁺ for the ÷100 setting, the lowest frequency range. To detect a floating DIV pin, the LTC1799 attempts to pull the pin toward midsupply. This is realized with two internal current sources, one tied to V⁺ and Pin 4 and the other one tied to ground and Pin 4. Therefore, driving the DIV pin high requires sourcing approximately $5\mu A$. Likewise, driving DIV low requires sinking $5\mu A$. When Pin 4 is floated, preferably it should be bypassed by a 1nF capacitor to ground or it should be surrounded by a ground shield to prevent excessive coupling from other PCB traces.

OUT (Pin 5): Oscillator Output. This pin can drive $5k\Omega$ and/or $10pF$ loads. Larger loads may cause inaccuracies due to supply bounce at high frequencies. Transients will not cause latchup if the current into/out of the OUT pin is limited to 50mA.

BLOCK DIAGRAM



THEORY OF OPERATION

As shown in the Block Diagram, the LTC1799's master oscillator is controlled by the ratio of the voltage between the V⁺ and SET pins and the current entering the SET pin (I_{RES}). The voltage on the SET pin is forced to approximately 1.13V below V⁺ by the PMOS transistor and its gate bias voltage. This voltage is accurate to ±7% at a particular input current and supply voltage (see Figure 1). The effective input resistance is approximately 2k.

A resistor R_{SET}, connected between the V⁺ and SET pins, "locks together" the voltage (V⁺ - V_{SET}) and current, I_{RES}, variation. This provides the LTC1799's high precision. The master oscillation frequency reduces to:

$$f_{MO} = 10\text{MHz} \cdot \left(\frac{10\text{k}\Omega}{R_{SET}} \right)$$

The LTC1799 is optimized for use with resistors between 10k and 200k, corresponding to master oscillator frequencies between 0.5MHz and 10MHz. Accurate frequencies up to 20MHz (R_{SET} = 5k) are attainable if the supply voltage is greater than 4V.

To extend the output frequency range, the master oscillator signal may be divided by 1, 10 or 100 before driving OUT

(Pin 5). The divide-by value is determined by the state of the DIV input (Pin 4). Tie DIV to GND or drive it below 0.5V to select ÷1. This is the highest frequency range, with the master output frequency passed directly to OUT. The DIV pin may be floated or driven to midsupply to select ÷10, the intermediate frequency range. The lowest frequency range, ÷100, is selected by tying DIV to V⁺ or driving it to within 0.4V of V⁺. Figure 2 shows the relationship between R_{SET}, divider setting and output frequency, including the overlapping frequency ranges near 100kHz and 1MHz.

The CMOS output driver has an on resistance that is typically less than 100Ω. In the ÷1 (high frequency) mode, the rise and fall times are typically 7ns with a 5V supply and 11ns with a 3V supply. These times maintain a clean square wave at 10MHz (20MHz at 5V supply). In the ÷10 and ÷100 modes, where the output frequency is much lower, slew rate control circuitry in the output driver increases the rise/fall times to typically 14ns for a 5V supply and 19ns for a 3V supply. The reduced slew rate lowers EMI (electromagnetic interference) and supply bounce.

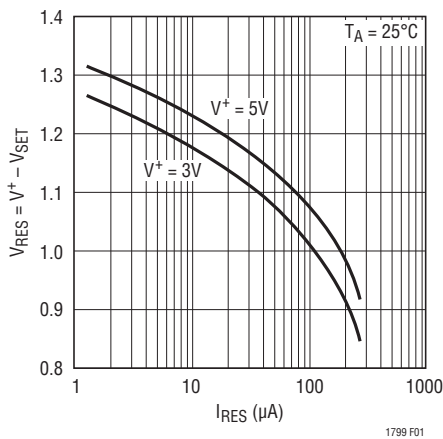


Figure 1. V⁺ - V_{SET} Variation with I_{RES}

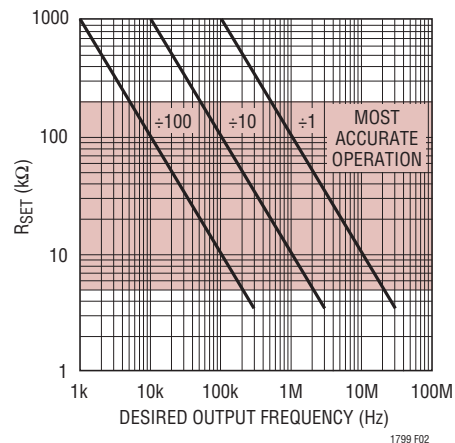


Figure 2. R_{SET} vs Desired Output Frequency

APPLICATIONS INFORMATION

SELECTING THE DIVIDER SETTING AND RESISTOR

The LTC1799's master oscillator has a frequency range spanning 0.1MHz to 33MHz. However, accuracy may suffer if the master oscillator is operated at greater than 10MHz with a supply voltage lower than 4V. A programmable divider extends the frequency range to greater than three decades. Table 1 describes the recommended frequencies for each divider setting. Note that the ranges overlap; at some frequencies there are two divider/resistor combinations that result in the desired frequency.

In general, any given oscillator frequency (f_{OSC}) should be obtained using the lowest master oscillator frequency. Lower master oscillator frequencies use less power and are more accurate. For instance, $f_{OSC} = 100\text{kHz}$ can be obtained by either $R_{SET} = 10\text{k}$, $N = 100$, master oscillator = 10MHz or $R_{SET} = 100\text{k}$, $N = 10$, master oscillator = 1MHz. The $R_{SET} = 100\text{k}$ is preferred for lower power and better accuracy.

Table 1. Frequency Range vs Divider Setting

| DIVIDER SETTING | FREQUENCY RANGE |
|---|--------------------|
| $\div 1 \Rightarrow \text{DIV (Pin 4) = GND}$ | $>500\text{kHz}^*$ |
| $\div 10 \Rightarrow \text{DIV (Pin 4) = Floating}$ | 50kHz to 1MHz |
| $\div 100 \Rightarrow \text{DIV (Pin 4) = } V^+$ | $<100\text{kHz}$ |

*At master oscillator frequencies greater than 10MHz ($R_{SET} < 10\text{k}\Omega$), the LTC1799 may suffer reduced accuracy with a supply voltage less than 4V.

After choosing the proper divider setting, determine the correct frequency-setting resistor. Because of the linear correspondence between oscillation period and resistance, a simple equation relates resistance with frequency.

$$R_{SET} = 10\text{k} \cdot \left(\frac{10\text{MHz}}{N \cdot f_{OSC}} \right), N = \begin{cases} 100 \\ 10 \\ 1 \end{cases}$$

$$(R_{SETMIN} = 3\text{k (5V Supply)}, 5\text{k (3V Supply)}, \\ R_{SETMAX} = 1\text{M})$$

Any resistor, R_{SET} , tolerance adds to the inaccuracy of the oscillator, f_{OSC} .

ALTERNATIVE METHODS OF SETTING THE OUTPUT FREQUENCY OF THE LTC1799

The oscillator may be programmed by any method that sources a current into the SET pin (Pin 3). The circuit in Figure 3 sets the oscillator frequency using a programmable current source and in the expression for f_{OSC} , the resistor R_{SET} is replaced by the ratio of $1.13\text{V}/I_{CONTROL}$. As already explained in the "Theory of Operation," the voltage difference between V^+ and SET is approximately 1.13V, therefore, the Figure 3 circuit is less accurate than if a resistor controls the oscillator frequency.

Figure 4 shows the LTC1799 configured as a VCO. A voltage source is connected in series with an external 10k resistor. The output frequency, f_{OSC} , will vary with $V_{CONTROL}$, that is the voltage source connected between V^+ and the SET pin. Again, this circuit decouples the relationship between the input current and the voltage between V^+ and SET; the frequency accuracy will be degraded. The oscillator frequency, however, will monotonically increase with decreasing $V_{CONTROL}$.

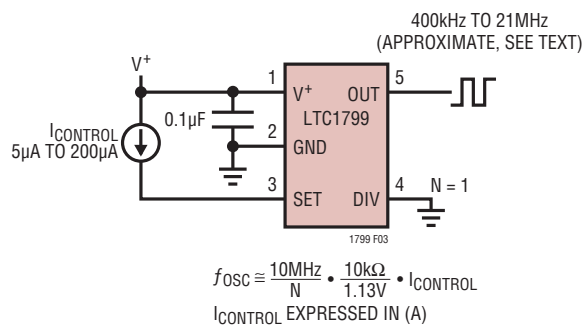


Figure 3. Current Controlled Oscillator

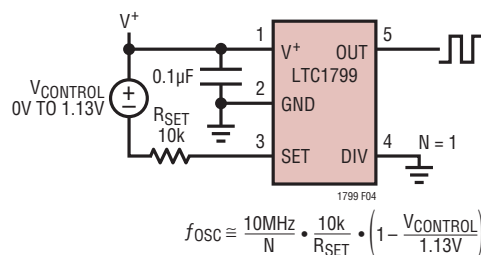


Figure 4. Voltage Controlled Oscillator

APPLICATIONS INFORMATION

POWER SUPPLY REJECTION

Low Frequency Supply Rejection (Voltage Coefficient)

Figure 5 shows the output frequency sensitivity to power supply voltage at several different temperatures. The LTC1799 has a conservative guaranteed voltage coefficient of 0.1%/V but, as Figure 5 shows, the typical supply sensitivity is lower.

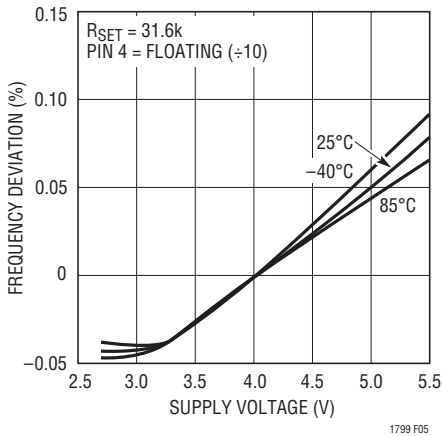


Figure 5. Supply Sensitivity

High Frequency Power Supply Rejection

The accuracy of the LTC1799 may be affected when its power supply generates significant noise with frequency contents in the vicinity of the programmed value of f_{OSC} . If a switching power supply is used to power up the LTC1799, and if the ripple of the power supply is more than a few tens of millivolts, make sure the switching frequency and its harmonics are not related to the output frequency of the LTC1799. Otherwise, the oscillator may show an additional 0.1% to 0.2% of frequency error.

If the LTC1799 is powered by a switching regulator and the switching frequency or its harmonics coincide with the output frequency of the LTC1799, the jitter of the oscillator output may be affected. This phenomenon will become noticeable if the switching regulator exhibits ripples beyond 30mV.

START-UP TIME

The start-up time and settling time to within 1% of the final value can be estimated by $t_{START} \approx R_{SET}(2.8\mu s/k\Omega) + 20\mu s$. Note the start-up time depends on R_{SET} and it is independent from the setting of the divider pin. For instance with $R_{SET} = 50k$, the LTC1799 will settle with 1% of its 200kHz final value ($N = 10$) in approximately 160 μs . Figure 6 shows start-up times for various R_{SET} resistors.

Figure 7 shows an application where a second set resistor R_{SET2} is connected in parallel with set resistor R_{SET1} via switch S1. When switch S1 is open, the output frequency of the LTC1799 depends on the value of the resistor R_{SET1} . When switch S1 is closed, the output frequency of the LTC1799 depends on the value of the parallel combination of R_{SET1} and R_{SET2} .

The start-up time and settling time of the LTC1799 with switch S1 open (or closed) is described by t_{START} shown above. Once the LTC1799 starts and settles, and switch S1 closes (or opens), the LTC1799 will settle to its new output frequency within approximately 25 μs .

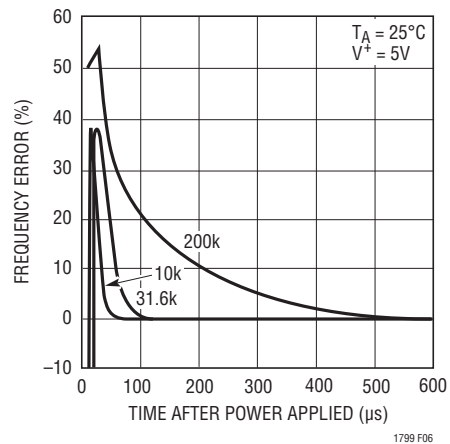


Figure 6. Start-Up Time

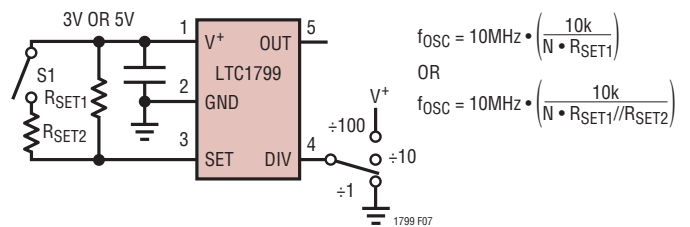


Figure 7

APPLICATIONS INFORMATION

Jitter

The typical jitter is listed in the Electrical Characteristics and shown in the Typical Performance Characteristics. These specifications assume that the capacitance on SET (Pin 3) is limited to less than 10pF, as suggested in the Pin Functions description. If this requirement is not met, the jitter will increase. For more information, contact Linear Technology Applications group.

A Ground Referenced Voltage Controlled Oscillator

The LTC1799 output frequency can also be programmed by steering current in or out of the SET pin, as conceptually shown in Figure 8. This technique can degrade accuracy as the ratio of $(V^+ - V_{SET}) / I_{RES}$ is no longer uniquely dependent of the value of R_{SET} , as shown in the LTC1799 Block Diagram. This loss of accuracy will become noticeable when the magnitude of I_{PROG} is comparable to I_{RES} . The frequency variation of the LTC1799 is still monotonic.

Figure 9 shows how to implement the concept shown in Figure 8 by connecting a second resistor, R_{IN} , between the SET pin and a ground referenced voltage source, V_{IN} .

For a given power supply voltage in Figure 9, the output frequency of the LTC1799 is a function of V_{IN} , R_{IN} , R_{SET} and $(V^+ - V_{SET}) = V_{RES}$:

$$f_{OSC} = \frac{10\text{MHz}}{N} \cdot \frac{10\text{k}}{R_{IN} \parallel R_{SET}} \cdot \left[1 + \frac{(V_{IN} - V^+)}{V_{RES}} \cdot \left(\frac{1}{1 + \frac{R_{IN}}{R_{SET}}} \right) \right] \quad (1)$$

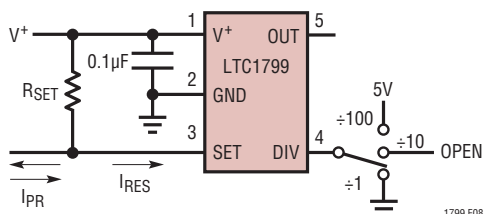


Figure 8. Concept for Programming via Current Steering

When $V_{IN} = V^+$, the output frequency of the LTC1799 assumes the highest value and it is set by the parallel combination of R_{IN} and R_{SET} . Also note, the output frequency, f_{OSC} , is independent of the value of $V_{RES} = (V^+ - V_{SET})$ so the accuracy of f_{OSC} is within the data sheet limits.

When V_{IN} is less than V^+ , and especially when V_{IN} approaches the ground potential, the oscillator frequency, f_{OSC} , assumes its lowest value and its accuracy is affected by the change of $V_{RES} = (V^+ - V_{SET})$. At 25°C V_{RES} varies by $\pm 8\%$, assuming the variation of V^+ is $\pm 5\%$. The temperature coefficient of V_{RES} is 0.02%/°C.

By manipulating the algebraic relation for f_{OSC} above, a simple algorithm can be derived to set the values of external resistors R_{SET} and R_{IN} , as shown in Figure 9.

1. Choose the desired value of the maximum oscillator frequency, $f_{OSC(MAX)}$, occurring at maximum input voltage $V_{IN(MAX)} \leq V^+$.
2. Set the desired value of the minimum oscillator frequency, $f_{OSC(MIN)}$, occurring at minimum input voltage $V_{IN(MIN)} \geq 0$.
3. Choose $V_{RES} = 1.1$ and calculate the ratio of R_{IN}/R_{SET} from the following:

$$\frac{R_{IN}}{R_{SET}} = \frac{(V_{IN(MAX)} - V^+) - \left(\frac{f_{OSC(MAX)}}{f_{OSC(MIN)}} \right) (V_{IN(MIN)} - V^+)}{V_{RES} \left[\left(\frac{f_{OSC(MAX)}}{f_{OSC(MIN)}} \right) - 1 \right]} - 1 \quad (2)$$

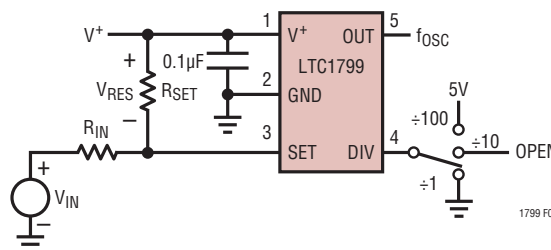


Figure 9. Implementation of Concept Shown in Figure 8

APPLICATIONS INFORMATION

Once R_{IN}/R_{SET} is known, calculate R_{SET} from:

$$R_{SET} = \frac{10\text{MHz}}{N} \cdot \frac{10\text{k}}{f_{OSC(MAX)}} \cdot \left[\frac{(V_{IN(MAX)} - V^+) + V_{RES} \left(1 + \frac{R_{IN}}{R_{SET}}\right)}{V_{RES} \left(\frac{R_{IN}}{R_{SET}}\right)} \right] \quad (3)$$

Maximum VCO Modulation Bandwidth

The maximum VCO modulation bandwidth is 10kHz; that is, the LTC1799 will respond to changes in V_{IN} at a rate up to 25kHz. In lower frequency applications however, the modulation frequency may need to be limited to a lower rate to prevent an increase in output jitter. This lower limit

is the master oscillator frequency divided by 20, ($f_{OSC}/20$). In general, for minimum output jitter the modulation frequency should be limited to $f_{OSC}/20$ or 10kHz, whichever is less. For best performance at all frequencies, the value for f_{OSC} should be the master oscillator frequency ($N = 1$) when V_{IN} is at the lowest level.

Table 2. Variation of V_{RES} for Various Values of $R_{IN} \parallel R_{SET}$

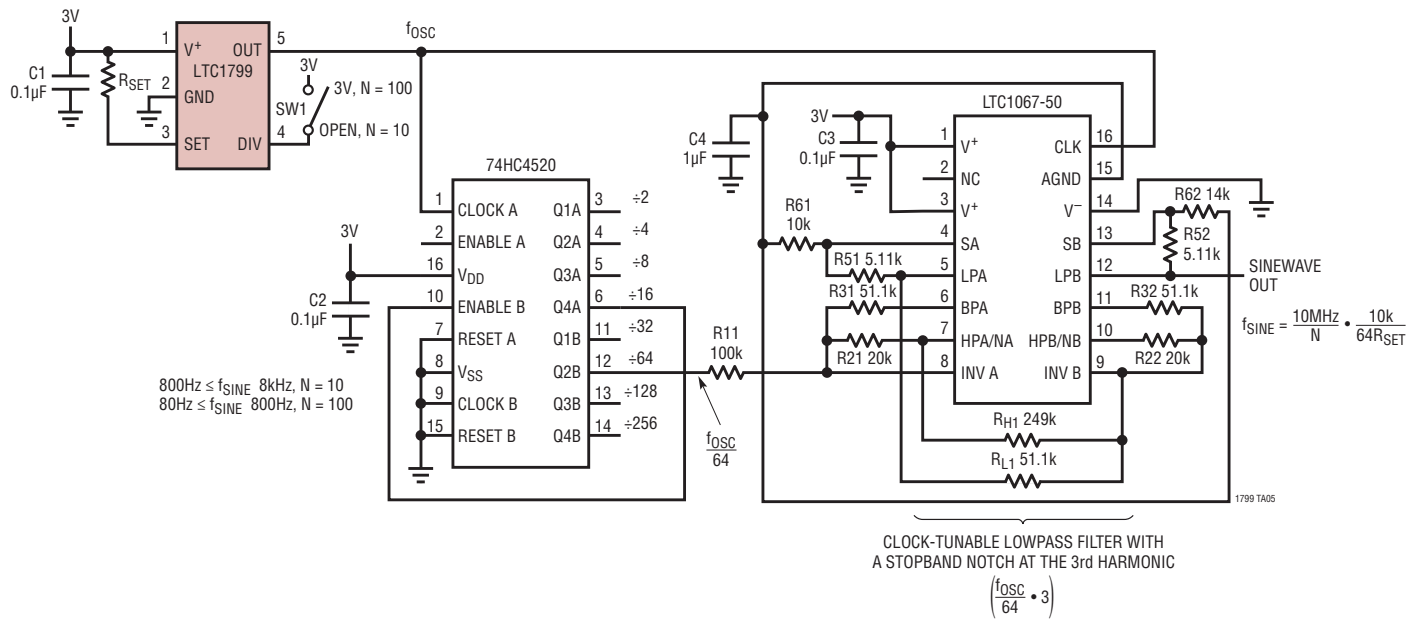
| $R_{IN} \parallel R_{SET} (V_{IN} = V^+)$ | $V_{RES}, V^+ = 3V$ | $V_{RES}, V^+ = 5V$ |
|---|---------------------|---------------------|
| 10k | 0.98V | 1.06V |
| 20k | 1.03V | 1.11V |
| 40k | 1.09V | 1.17V |
| 80k | 1.13V | 1.21V |
| 160k | 1.16V | 1.24V |

V_{RES} = Voltage across R_{SET}

Note: All of the calculations above assume $V_{RES} = 1.1V$, although $V_{RES} \approx 1.1V$. For completeness, Table 2 shows the variation of V_{RES} against various parallel combinations of R_{IN} and R_{SET} ($V_{IN} = V^+$). Calculate first with $V_{RES} \approx 1.1V$, then use Table 2 to get a better approximation of V_{RES} , then recalculate the resistor values using the new value for V_{RES} .

TYPICAL APPLICATION

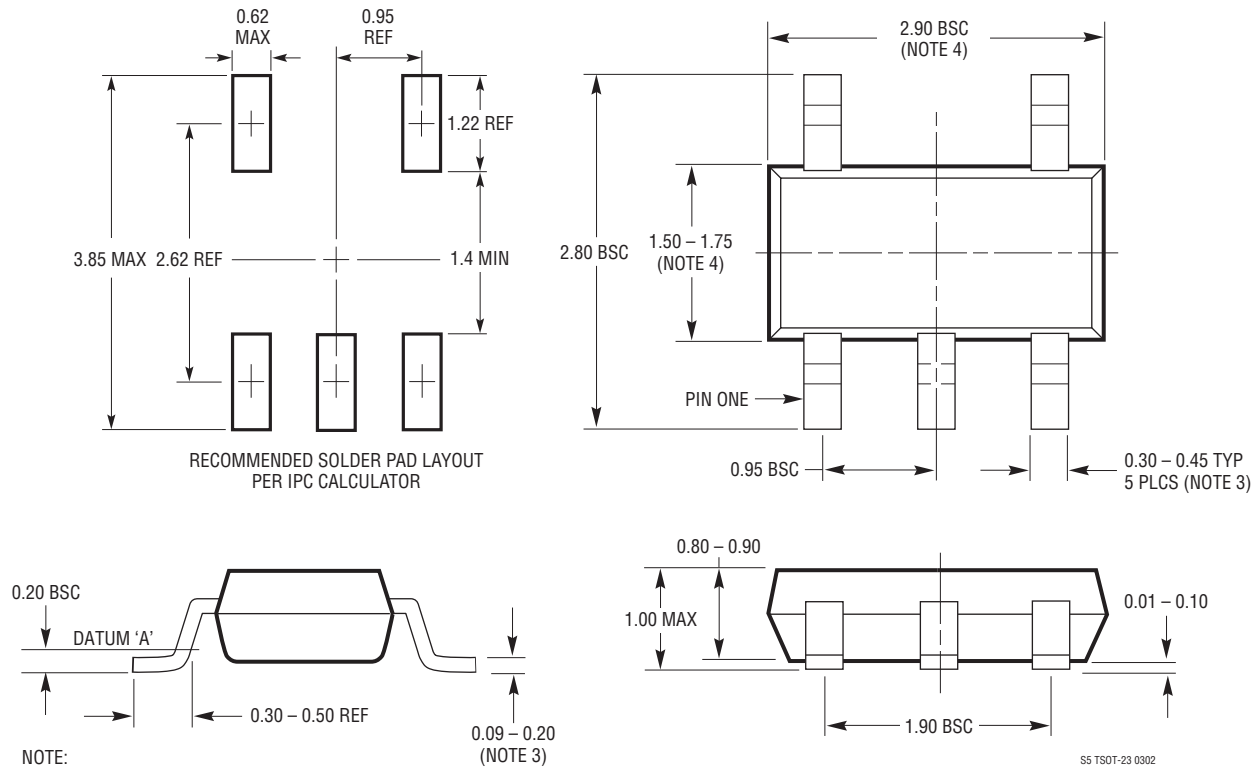
Low Power 80Hz to 8kHz Sine Wave Generator ($I_Q < 4mA$)



PACKAGE DESCRIPTION

Please refer to <http://www.linear.com/product/LTC1799#packaging> for the most recent package drawings.

S5 Package 5-Lead Plastic TSOT-23 (Reference LTC DWG # 05-08-1635)



- NOTE:
1. DIMENSIONS ARE IN MILLIMETERS
 2. DRAWING NOT TO SCALE
 3. DIMENSIONS ARE INCLUSIVE OF PLATING
 4. DIMENSIONS ARE EXCLUSIVE OF MOLD FLASH AND METAL BURR
 5. MOLD FLASH SHALL NOT EXCEED 0.254mm
 6. JEDEC PACKAGE REFERENCE IS MO-193

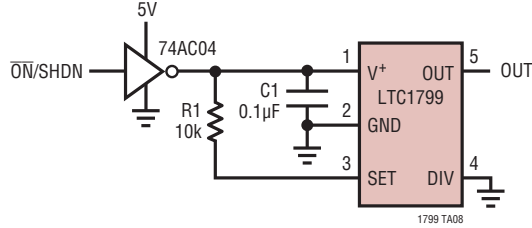
S5 TSOT-23 0302

REVISION HISTORY (Revision history begins at Rev C)

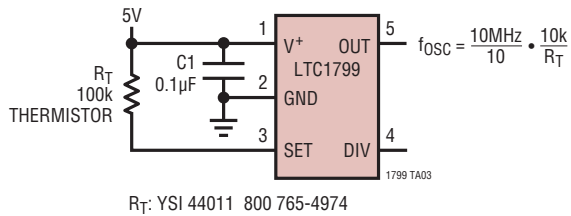
| REV | DATE | DESCRIPTION | PAGE NUMBER |
|-----|-------|--|-------------|
| C | 1/11 | Revised part number in Maximum VCO Modulation Bandwidth section. | 10 |
| D | 07/16 | Updated T_{JMAX} (150°C) | 2 |

TYPICAL APPLICATIONS

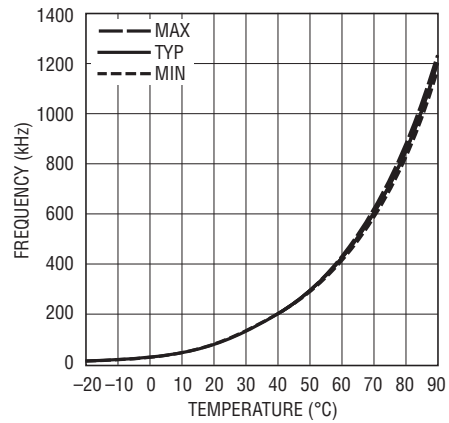
Shutting Down the LTC1799



Temperature-to-Frequency Converter



Output Frequency vs Temperature





Компания «ЭлектроПласт» предлагает заключение долгосрочных отношений при поставках импортных электронных компонентов на взаимовыгодных условиях!

Наши преимущества:

- Оперативные поставки широкого спектра электронных компонентов отечественного и импортного производства напрямую от производителей и с крупнейших мировых складов;
- Поставка более 17-ти миллионов наименований электронных компонентов;
- Поставка сложных, дефицитных, либо снятых с производства позиций;
- Оперативные сроки поставки под заказ (от 5 рабочих дней);
- Экспресс доставка в любую точку России;
- Техническая поддержка проекта, помощь в подборе аналогов, поставка прототипов;
- Система менеджмента качества сертифицирована по Международному стандарту ISO 9001;
- Лицензия ФСБ на осуществление работ с использованием сведений, составляющих государственную тайну;
- Поставка специализированных компонентов (Xilinx, Altera, Analog Devices, Intersil, Interpoint, Microsemi, Aeroflex, Peregrine, Syfer, Eurofarad, Texas Instrument, Miteq, Cobham, E2V, MA-COM, Hittite, Mini-Circuits, General Dynamics и др.);

Помимо этого, одним из направлений компании «ЭлектроПласт» является направление «Источники питания». Мы предлагаем Вам помощь Конструкторского отдела:

- Подбор оптимального решения, техническое обоснование при выборе компонента;
- Подбор аналогов;
- Консультации по применению компонента;
- Поставка образцов и прототипов;
- Техническая поддержка проекта;
- Защита от снятия компонента с производства.



Как с нами связаться

Телефон: 8 (812) 309 58 32 (многоканальный)

Факс: 8 (812) 320-02-42

Электронная почта: org@eplast1.ru

Адрес: 198099, г. Санкт-Петербург, ул. Калинина, дом 2, корпус 4, литера А.