

4

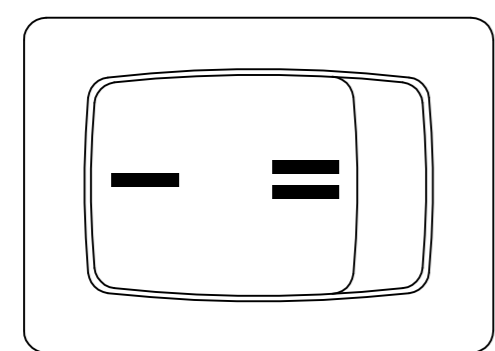
3

2

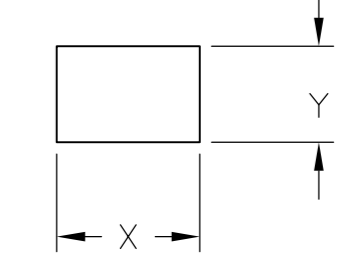
1

THIS DRAWING IS UNPUBLISHED. RELEASED FOR PUBLICATION. ALL RIGHTS RESERVED. COPYRIGHT - By -

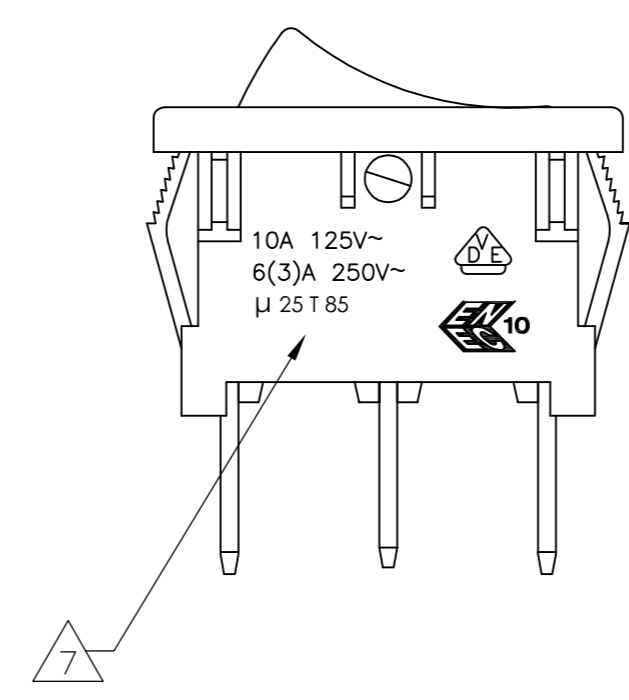
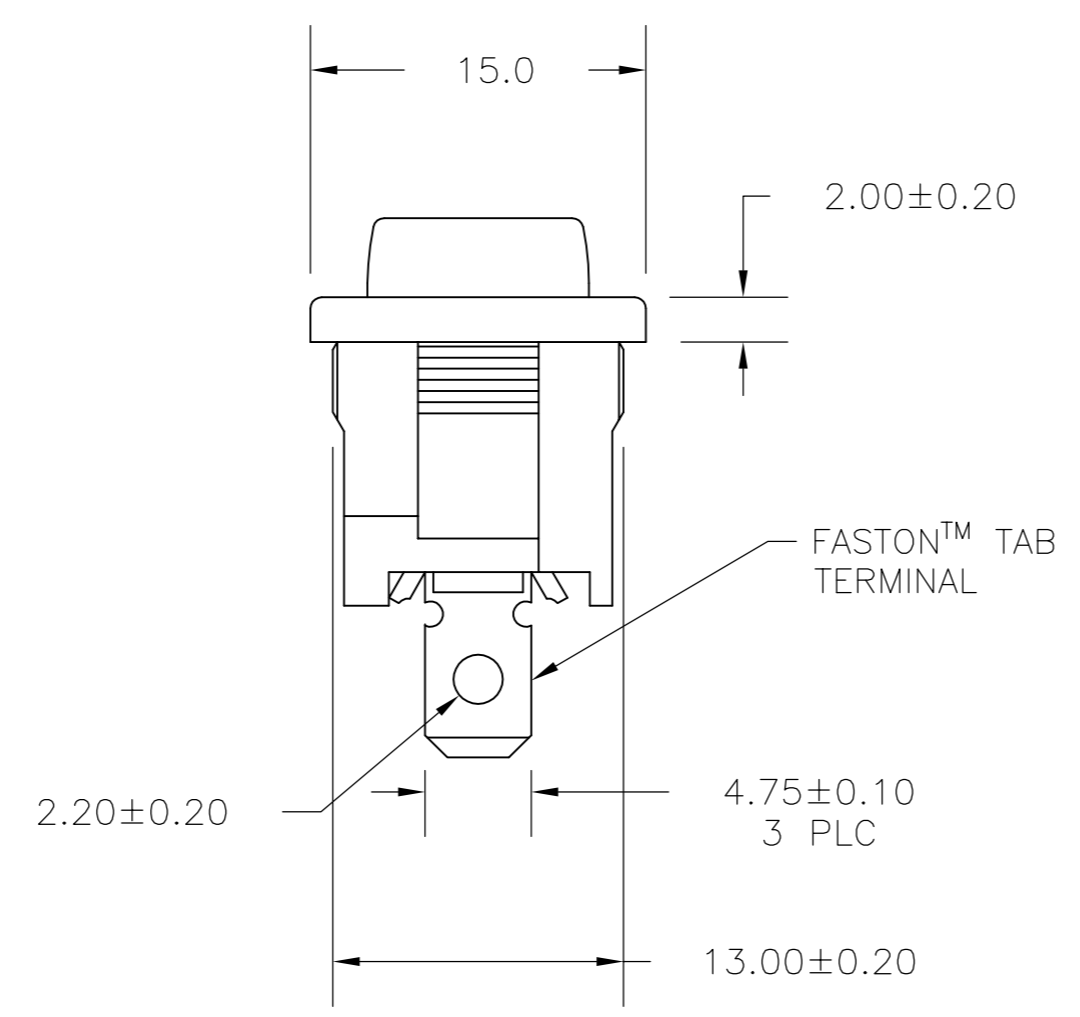
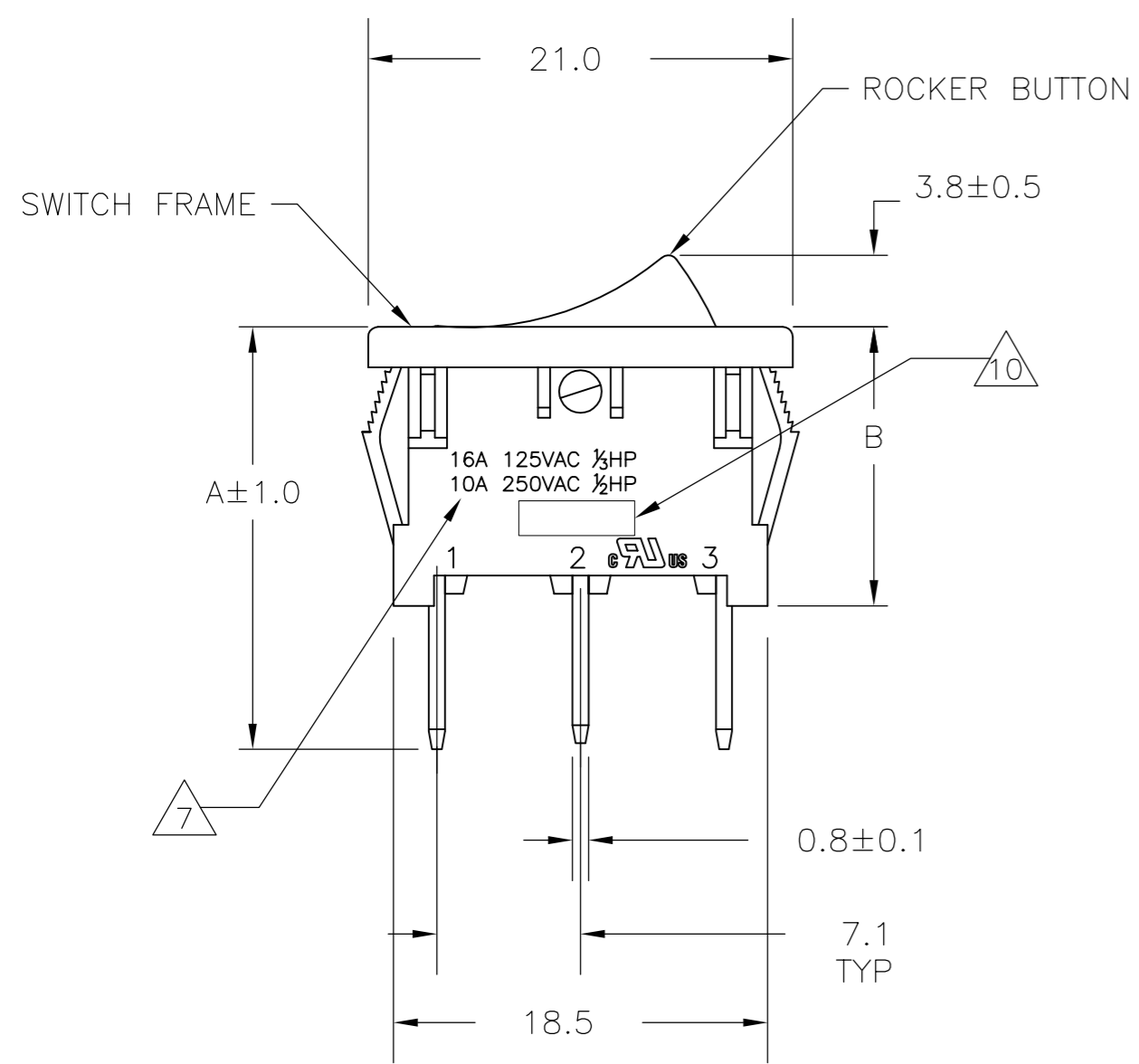
| REVISIONS | | | | | |
|-----------|-----|---------------------------|-----------|-----|------|
| P | LTR | DESCRIPTION | DATE | DWN | APVD |
| | L1 | REVISED PER ECO-11-004820 | 11MAR11 | RK | HMR |
| | L2 | REVISED PER ECO-16-017354 | 03MAR2017 | RK | AS |



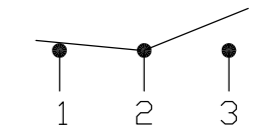
PANEL CUT OUT



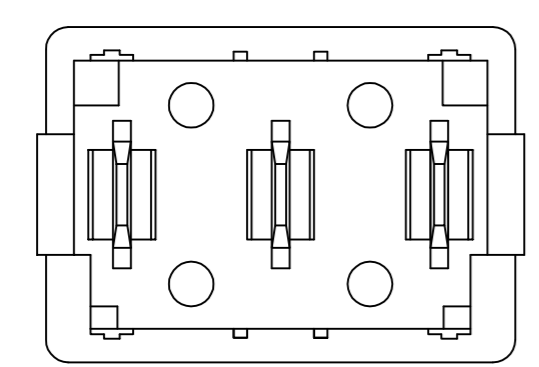
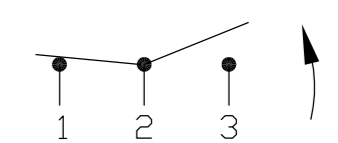
| | | |
|-----------------|----------|----------|
| 2.00-3.00 | 19.8-0.1 | 13.0+0.1 |
| 1.25-2.00 | 19.4-0.1 | 13.0+0.1 |
| 0.75-1.25 | 19.2-0.1 | 13.0+0.1 |
| PANEL THICKNESS | X | Y |



SWITCH FUNCTION D1
CIRCUIT DIAGRAM



SWITCH FUNCTION D2
CIRCUIT DIAGRAM



OBSOLETE—1571079-5—SHOWN
(TWO ROCKER BUTTON POSITIONS)

| | | | | |
|--|--|------------------------------------|--|-----------------------|
| THIS DRAWING IS A CONTROLLED DOCUMENT. | | DWN M.BINNER 25FEB2002 | | |
| DIMENSIONS: mm | | CHK J.MOSIER | | |
| TOLERANCES UNLESS OTHERWISE SPECIFIED: | | APVD - | NAME POWER ROCKER SWITCH 13.0mmX19.2mm PANEL SIZE SPDT, 3 TERMINALS, NON-ILLUMINATED | |
| 0 PLC ± - | | PRODUCT SPEC NOT APPLICABLE | SIZE A2 | |
| 1 PLC ± 0.30 | | APPLICATION SPEC NOT APPLICABLE | CAGE CODE 00779 | DRAWING NO 1571079 |
| 2 PLC ± 0.05 | | MATERIAL 1 | RESTRICTED TO - | |
| 3 PLC ± - | | FINISH 2 | SCALE 3:1 | SHEET 1 of 3 |
| 4 PLC ± - | | WEIGHT 0 | REV L2 | |
| ANGLES ± - | | CUSTOMER DRAWING | | |

4

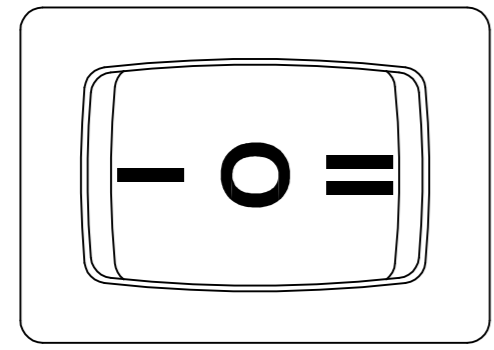
3

2

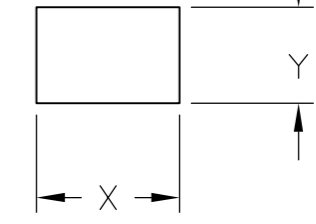
1

THIS DRAWING IS UNPUBLISHED. RELEASED FOR PUBLICATION. ALL RIGHTS RESERVED. COPYRIGHT - By -

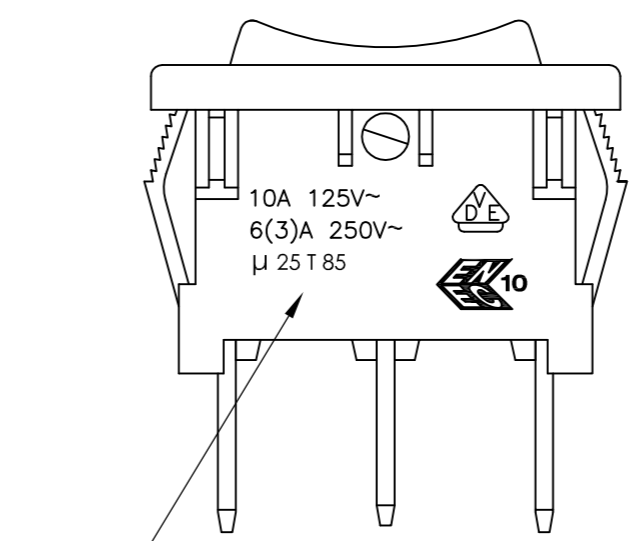
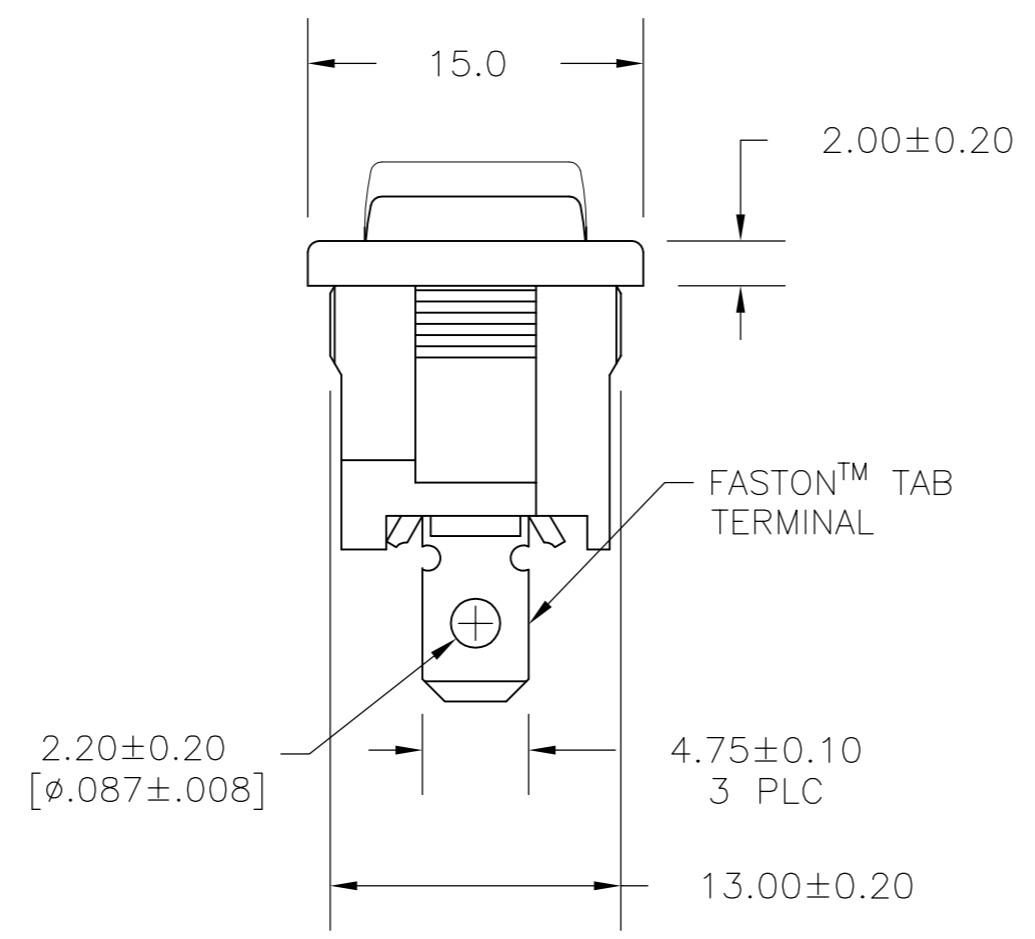
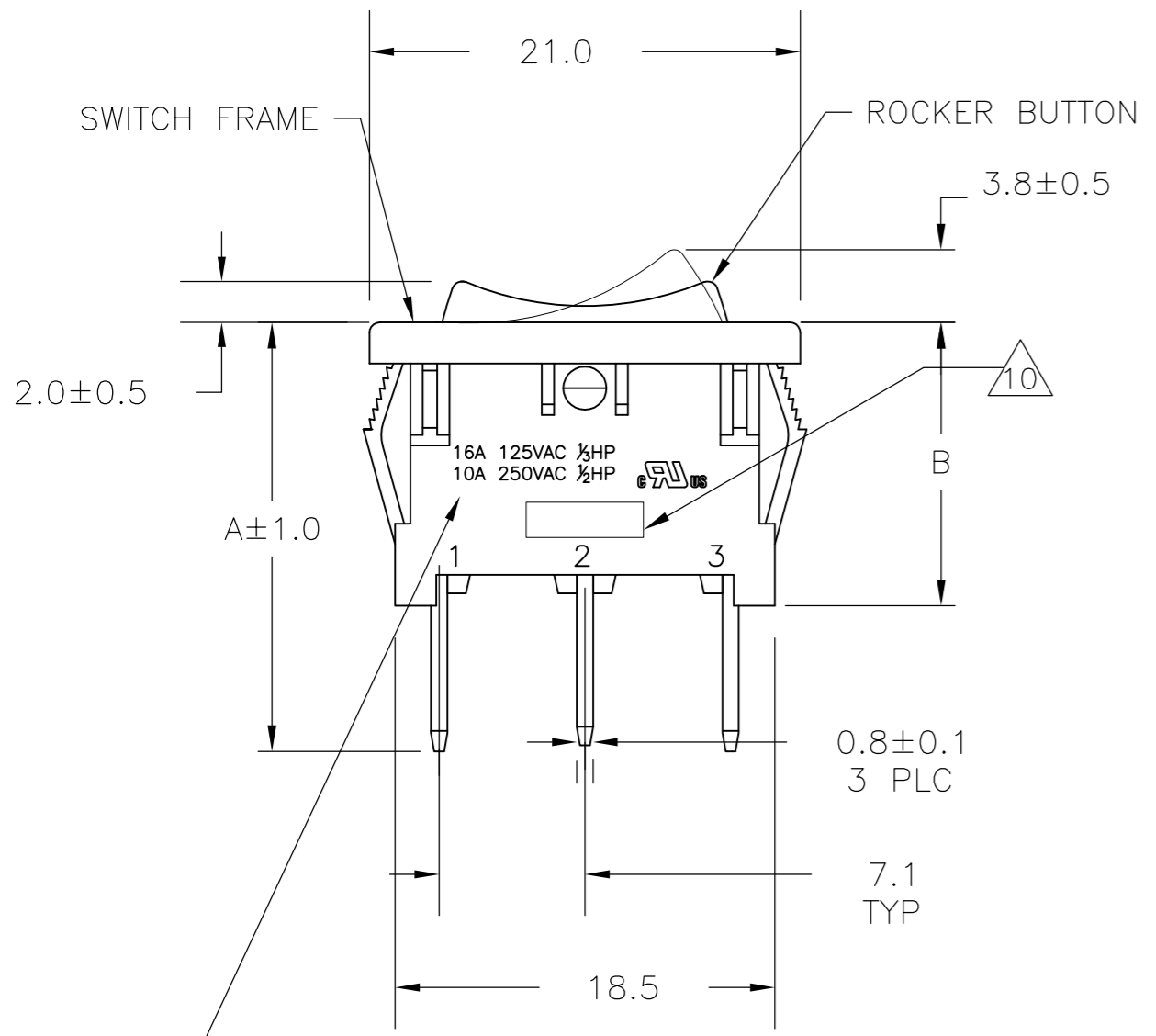
| REVISIONS | | | | | |
|-----------|-----|-------------|------|-----|------|
| P | LTR | DESCRIPTION | DATE | DWN | APVD |
| - | - | SEE SHEET 1 | - | - | - |



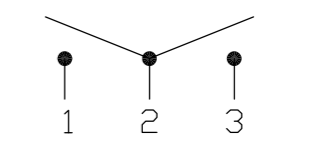
PANEL CUT OUT



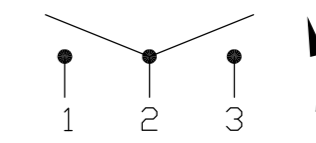
| | | |
|-----------------|----------|----------|
| 2.00-3.00 | 19.8-0.1 | 13.0+0.1 |
| 1.25-2.00 | 19.4-0.1 | 13.0+0.1 |
| 0.75-1.25 | 19.2-0.1 | 13.0+0.1 |
| PANEL THICKNESS | X | Y |



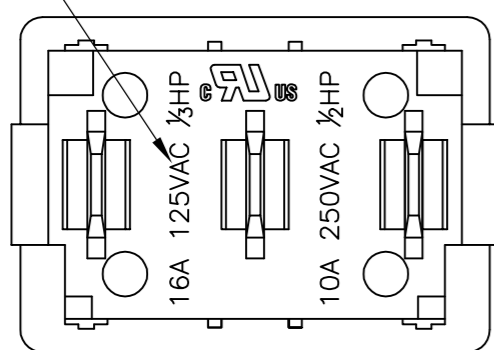
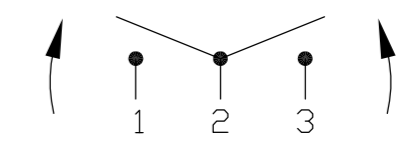
SWITCH FUNCTION D3
CIRCUIT DIAGRAM



SWITCH FUNCTION D4
CIRCUIT DIAGRAM



SWITCH FUNCTION D5
CIRCUIT DIAGRAM



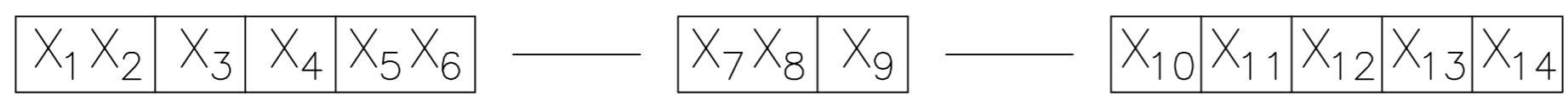
1-1571079-4 SHOWN
(THREE ROCKER BUTTON POSITIONS)

| | | | | | |
|--|--|------------------------------------|-----------|---------------------------|-----------------------|
| THIS DRAWING IS A CONTROLLED DOCUMENT. | | DWN M.BINNER | 25FEB2002 | TE TE Connectivity | |
| DIMENSIONS: mm | | CHK J.MOSIER | APVD - | | |
| TOLERANCES UNLESS OTHERWISE SPECIFIED: | | PRODUCT SPEC NOT APPLICABLE | | SIZE A2 | |
| 0 PLC ± - | | APPLICATION SPEC NOT APPLICABLE | | CAGE CODE 00779 | DRAWING NO 1571079 |
| 1 PLC ± 0.30 | | MATERIAL | | RESTRICTED TO | |
| 2 PLC ± 0.05 | | FINISH | | - | |
| 3 PLC ± - | | WEIGHT | | - | |
| 4 PLC ± - | | CUSTOMER DRAWING | | SCALE 3:1 | SHEET 2 of 3 |
| ANGLES ± - | | | | REV L2 | |

THIS DRAWING IS UNPUBLISHED. RELEASED FOR PUBLICATION
 © COPYRIGHT - By - ALL RIGHTS RESERVED.

| REVISIONS | | | | |
|-----------|-----|-------------|------|------|
| P | LTR | DESCRIPTION | DATE | APVD |
| - | - | SEE SHEET 1 | - | - |

ALCOSWITCH PART NUMBER



SWITCH TYPE: X₁X₂ = PR - POWER ROCKER

NOMINAL PANEL CUT OUT SIZE: X₃ = A - 13.0x19.2

NUMBER OF POLES: X₄ = S - SINGLE

SWITCH FUNCTION: X₅X₆ = D1 - ON-ON WITH OPAQUE, SINGLE-COLOR ROCKER BUTTON
D2 - ON-(ON) WITH OPAQUE, SINGLE-COLOR ROCKER BUTTON
D3 - ON-OFF-ON WITH OPAQUE, SINGLE-COLOR ROCKER BUTTON
D4 - ON-OFF-(ON) WITH OPAQUE, SINGLE-COLOR ROCKER BUTTON
D5 - (ON)-OFF-(ON), WITH OPAQUE, SINGLE-COLOR ROCKER BUTTON

CURRENT RATING: X₇X₈ = 16 - △6

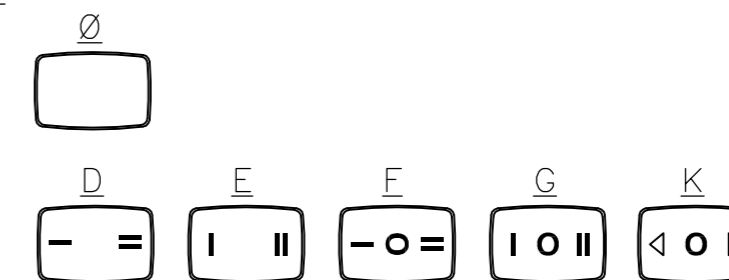
TERMINAL TYPE: X₉ = E - FASTON™ TAB
L - SOLDER LUG

FRAME COLOR: X₁₀ = B - BLACK
W - WHITE

ROCKER COLOR: X₁₁ = B - BLACK
G - GREEN
R - RED
W - WHITE

SECONDARY ROCKER COLOR: X₁₂ = Ø - NOT APPLICABLE
B - BLACK
G - GREEN
R - RED
W - WHITE

LEGEND TEXT PATTERN: X₁₃ =



LEGEND TEXT COLOR: X₁₄ = Ø - NOT APPLICABLE
G - GREEN
R - RED
B - BLACK
W - WHITE

1 MATERIALS:
 ROCKER BUTTON & HOUSING FRAME: NYLON 66, UL 94 V-2.
 TERMINAL, ACTIVE CONTACTOR: COPPER ALLOY PER ASTM B152/B152M
 PLUNGER: COPPER ALLOY PER ASTM B036
 PHENOLIC, UL94V1(SWITCH FUNCTION D5 ONLY)
 SPRING: STEEL WIRE PER ASTM A228/A228M
 CONTACT: SILVER-TIN OXIDE

2 FINISH:
 TERMINAL, ACTIVE CONTACTOR: 1.0µm MIN SILVER
 COPPER ALLOY PLUNGER: 3.0µm MIN NICKEL

3 ELECTRICAL SPECIFICATIONS:
 CURRENT AND VOLTAGE: △6
 CONTACT RESISTANCE (INITIAL): <100mΩ (5V, 1A DC)
 DIELECTRIC STRENGTH (INITIAL): >1000 VAC, 1 MINUTE
 INSULATION RESISTANCE (INITIAL): >100MΩ MIN (500VDC BETWEEN OPEN CONTACTS)
 INRUSH CURRENT: 50A / 3msec (CAPACITIVE LOAD)
 ELECTRICAL LIFE ENDURANCE: >6000 OPERATIONS, VOLTAGE DROP: <100mV
 TEMPERATURE RISE AT TERMINALS: <30°C, 6000 OPERATIONS (AMBIENT CONDITIONS: 25±2°C AND 65±5%R.H)

4 MECHANICAL SPECIFICATIONS:
 ACTUATING FORCE: 150g MIN, 650g MAX
 OPERATING LIFE ENDURANCE: >100,000 OPERATIONS
 TERMINAL RETENTION STRENGTH: >2.5kg- SOLDER LUG
 >6.8kg- FASTON TAB

5 ENVIRONMENTAL SPECIFICATIONS:
 AMBIENT TEMPERATURE: -20°C TO +85°C
 HUMIDITY: MAX 85%
 SALT SPRAY: NO REMAKABLE RUST IN METAL PARTS. (5%SALT / 35°C 24HRS)
 SHOCK: NO MECHANICAL DEFECT OR DAMAGE. (100g / 10MSEC/ X,Y,Z 3 TIMES)
 VIBRATION: NO MECHANICAL DEFECT OR DAMAGE. (10-55Hz /1.5mm/ X,Y,Z 2HRS)

6 UL: 16A@125VAC ½HP / 10A@250VAC ½HP
 ENEC: 10A 125V~, 6(3)A 250V~, µ25T85

7 ELECTRICAL RATINGS, APPROVED AGENCY LOGOS, TERMINAL IDENTIFICATION NUMBERS, MOLDED APPROXIMATELY AS SHOWN ON THE SIDE AND/OR BOTTOM SURFACE(S) OF THE SWITCH HOUSING.

8 COMPONENT RECOGNIZED TO US & CANADIAN STANDARDS, UL FILE NO. E46765.

9 COMPONENT RECOGNIZED TO EUROPEAN STANDARDS (ENEC, PENDING VDE). MARKS LICENSE No. 40006757

10 TE CONNECTIVITY LOGO LOCATED APPROXIMATELY AS SHOWN PER TEC 202-36

| | | | | | |
|----------|------|------|------------|------------------------|-------------|
| | 16.5 | 23.5 | 2 | PRASD5-16F-BB0KW | 1-1571079-6 |
| OBSOLETE | 16.5 | 23.5 | 2 | PRASD4-16F-BB0GW | 1-1571079-5 |
| | 16.5 | 23.5 | 2 | PRASD4-16F-BB0FW | 1-1571079-4 |
| | 16.5 | 23.5 | 2 | PRASD4-16F-BB000 | 1-1571079-3 |
| OBSOLETE | 13.8 | 20.9 | 1 | PRASD2-16F-BB0EW | 1-1571079-2 |
| | 13.8 | 20.9 | 1 | PRASD2-16F-BB0DW | 1-1571079-1 |
| | 13.8 | 20.9 | 1 | PRASD2-16F-BB000 | 1-1571079-0 |
| | 16.5 | 23.5 | 2 | PRASD3-16F-BB0GW | 1571079-9 |
| OBSOLETE | 16.5 | 23.5 | 2 | PRASD3-16F-BB0FW | 1571079-8 |
| | 16.5 | 23.5 | 2 | PRASD3-16F-BB000 | 1571079-7 |
| OBSOLETE | 13.8 | 20.9 | 1 | PRASD1-16F-BB0EW | 1571079-6 |
| OBSOLETE | 13.8 | 20.9 | 1 | PRASD1-16F-BB0DW | 1571079-5 |
| | 13.8 | 20.9 | 1 | PRASD1-16F-BB000 | 1571079-4 |
| | B | A | SHEET REF. | ALCOSWITCH PART NUMBER | PART NUMBER |

THIS DRAWING IS A CONTROLLED DOCUMENT. 25FEB2002

DWN: M.BINNER
 CHK: J.MOSIER
 APVD: -

TE Connectivity

NAME: POWER ROCKER SWITCH 13.0mmX19.2mm
 PANEL SIZE SPDT, 3 TERMINALS, NON-ILLUMINATED

PRODUCT SPEC: NOT APPLICABLE
 APPLICATION SPEC: NOT APPLICABLE

SIZE: A2 CAGE CODE: 00779 DRAWING NO: 1571079 RESTRICTED TO: -

MATERIAL: - WEIGHT: - FINISH: -

CUSTOMER DRAWING SCALE: 3:1 SHEET: 3 of 3 REV: L2



Компания «ЭлектроПласт» предлагает заключение долгосрочных отношений при поставках импортных электронных компонентов на взаимовыгодных условиях!

Наши преимущества:

- Оперативные поставки широкого спектра электронных компонентов отечественного и импортного производства напрямую от производителей и с крупнейших мировых складов;
- Поставка более 17-ти миллионов наименований электронных компонентов;
- Поставка сложных, дефицитных, либо снятых с производства позиций;
- Оперативные сроки поставки под заказ (от 5 рабочих дней);
- Экспресс доставка в любую точку России;
- Техническая поддержка проекта, помощь в подборе аналогов, поставка прототипов;
- Система менеджмента качества сертифицирована по Международному стандарту ISO 9001;
- Лицензия ФСБ на осуществление работ с использованием сведений, составляющих государственную тайну;
- Поставка специализированных компонентов (Xilinx, Altera, Analog Devices, Intersil, Interpoint, Microsemi, Aeroflex, Peregrine, Syfer, Eurofarad, Texas Instrument, Miteq, Cobham, E2V, MA-COM, Hittite, Mini-Circuits, General Dynamics и др.);

Помимо этого, одним из направлений компании «ЭлектроПласт» является направление «Источники питания». Мы предлагаем Вам помощь Конструкторского отдела:

- Подбор оптимального решения, техническое обоснование при выборе компонента;
- Подбор аналогов;
- Консультации по применению компонента;
- Поставка образцов и прототипов;
- Техническая поддержка проекта;
- Защита от снятия компонента с производства.



Как с нами связаться

Телефон: 8 (812) 309 58 32 (многоканальный)

Факс: 8 (812) 320-02-42

Электронная почта: org@eplast1.ru

Адрес: 198099, г. Санкт-Петербург, ул. Калинина, дом 2, корпус 4, литера А.