



GaAs MMIC POSITIVE CONTROL T/R SWITCH, DC - 6 GHz

Typical Applications

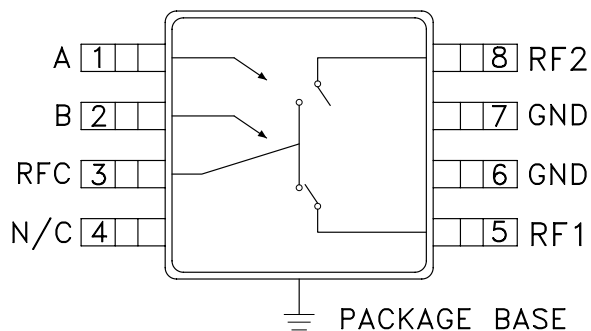
The HMC536MS8G / HMC536MS8GE is ideal for:

- Cellular/PCS/3G Infrastructure
- ISM/MMDS/WIMAX
- CATV/CMTS
- Test Instrumentation

Features

- Input P0.1dB: +34 dBm @ +5V
- Insertion Loss: 0.5 dB
- Positive Control: +3V or +5V
- MS8G SMT Package, 14.8 mm²
- Isolation: 27 dB
- Very Fast Switching Speed
- Included in the HMC-DK005 Designer's Kit

Functional Diagram



General Description

The HMC536MS8G & HMC536MS8GE are DC to 6 GHz GaAs MMIC T/R switches in 8 lead MSOP8G surface mount packages with an exposed ground paddle. The switch is ideal for cellular/PCS/3G basestation applications featuring low 0.5 dB insertion loss and +55 dBm input IP3. Power handling is excellent up through 6 GHz with the switch offering a P0.1dB compression point of +29 dBm at +3 volts control. On-chip circuitry allows positive voltage control of 0/+3 volts or 0/+5 volts at very low DC currents.

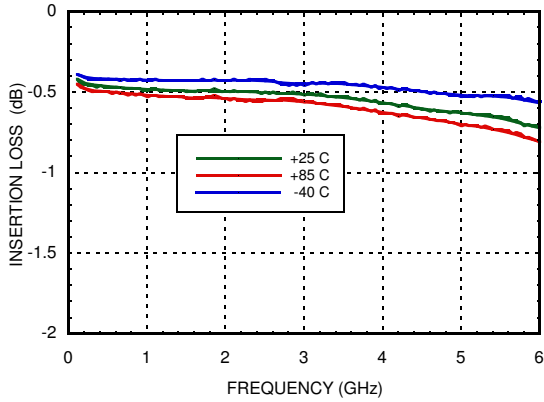
Electrical Specifications, $T_A = +25^\circ\text{C}$, $V_{ctl} = 0/+3\text{ Vdc}$ to $+5\text{ Vdc}$, 50 Ohm System

| Parameter | Frequency | Min. | Typ. | Max. | Units |
|--------------------------------------------------------------------------|-----------------------------------------------------------|---------------|------|------|-------|
| Insertion Loss | DC - 3.0 GHz | | 0.5 | 0.8 | dB |
| | DC - 4.5 GHz | | 0.6 | 0.9 | dB |
| | DC - 6.0 GHz | | 0.7 | 1.0 | dB |
| Isolation (RFC to RF1/RF2) | DC - 4.0 GHz | 23 | 27 | | dB |
| | 4.0 - 5.0 GHz | 26 | 30 | | dB |
| | 5.0 - 6.0 GHz | 27 | 32 | | dB |
| Return Loss | DC - 3.0 GHz | | 25 | | dB |
| | 3.0 - 4.0 GHz | | 20 | | dB |
| | 4.0 - 6.0 GHz | | 12 | | dB |
| Input Power for 0.1 dB Compression | (V _{ctl} = 3V) | 0.5 - 6.0 GHz | 27 | 29 | dBm |
| | (V _{ctl} = 5V) | 0.5 - 6.0 GHz | 32 | 34 | dBm |
| Input Third Order Intercept (Two-Tone Input Power = +7 dBm Each Tone) | (V _{ctl} = 3V, 5V) | 0.5 - 1.0 GHz | | 56 | dBm |
| | | 1.0 - 3.0 GHz | | 52 | dBm |
| | | 3.0 - 6.0 GHz | | 48 | dBm |
| Switching Speed | t _{RISE} , t _{FALL} (10/90% RF) | DC - 6.0 GHz | | 15 | ns |
| | t _{ON} , t _{OFF} (50% CTL to 10/90% RF) | | | 30 | ns |

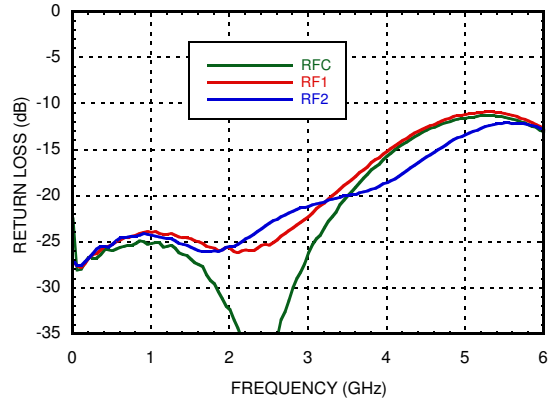


**GaAs MMIC POSITIVE CONTROL
T/R SWITCH, DC - 6 GHz**

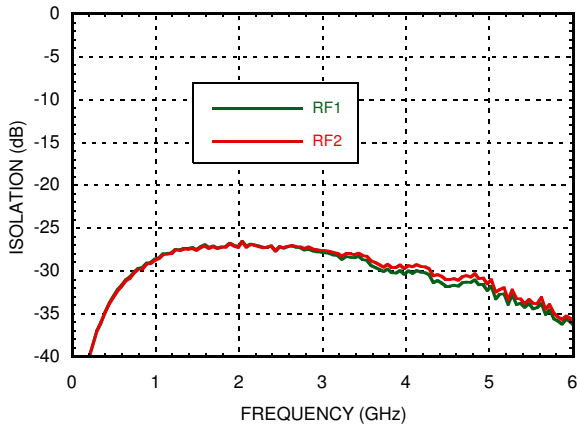
Insertion Loss



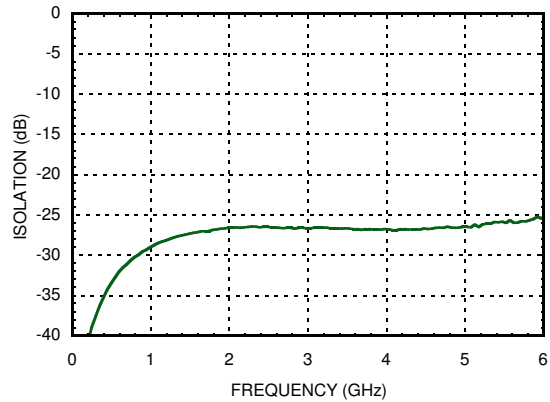
Return Loss



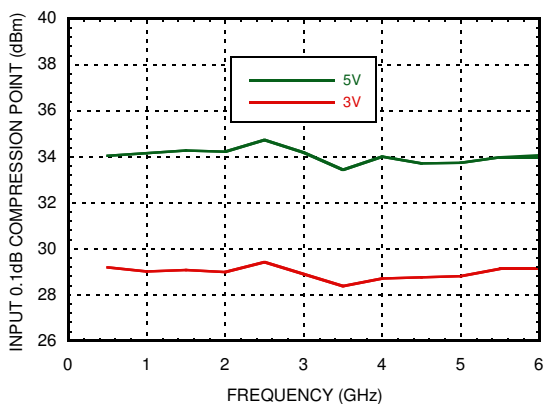
Isolation Between Ports RFC and RF1 / RF2



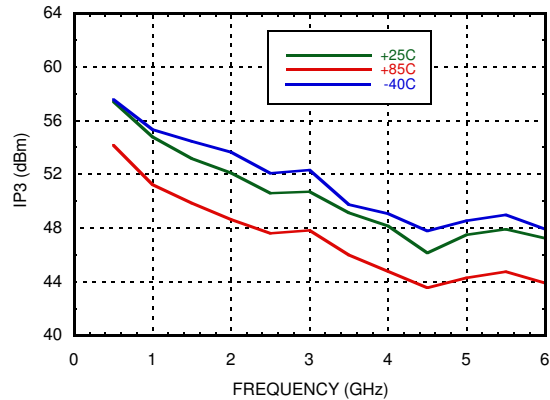
Isolation Between Ports RF1 and RF2



Input 0.1 dB Compression Point



Input Third Order Intercept Point, Vctl = 3v





GaAs MMIC POSITIVE CONTROL T/R SWITCH, DC - 6 GHz

Absolute Maximum Ratings

| | |
|---------------------------------------------------------------|------------------|
| Control Voltage Range | -0.5 to +7.5 Vdc |
| Hot Switch Power Level (Vctl = +3V) | +29 dBm |
| Channel Temperature | 150 °C |
| Continuous Pdiss (T = 85 °C) (derate 13 mW/°C above 85 °C) | 0.867 W |
| Thermal Resistance | 75 °C/W |
| Storage Temperature | -65 to +150 °C |
| Operating Temperature | -40 to +85 °C |
| ESD Sensitivity (HBM) | Class 1A |

Control Voltages

*Control Input Tolerances are ± 0.2 Vdc

| State | Bias Condition* |
|-------|---------------------------------------|
| Low | 0 Vdc @ 25 μ A Typical |
| High | +3 Vdc to +5 Vdc @ 25 μ A Typical |

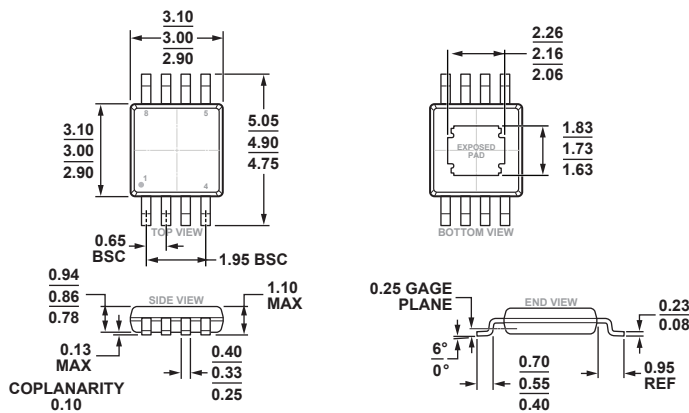
Truth Table

| Control Input | | Signal Path State |
|---------------|------|-------------------|
| A | B | RFC to: |
| Low | High | RF1 |
| High | Low | RF2 |

DC blocks are required at ports RFC, RF1, RF2.

Choose value for lowest frequency of operation.

Outline Drawing



COMPLIANT TO JEDEC STANDARDS MO-187-AA-T

8-Lead Mini Small Outline Package with Exposed Pad [MINI_SO_EP]
(RH-8-1)

Dimensions shown in millimeters

Package Information

| Part Number | Package Body Material | Lead Finish | MSL Rating ^[1] | Package Marking ^[2] |
|---------------|----------------------------------------------------|---------------|---------------------------|--------------------------------|
| HMC536MS8GE | RoHS-compliant Low Stress Injection Molded Plastic | 100% matte Sn | MSL3 | H536 XXXX |
| HMC536MS8GETR | RoHS-compliant Low Stress Injection Molded Plastic | 100% matte Sn | MSL3 | H536 XXXX |

[1] Max peak reflow temperature of 260 °C

[2] 4-Digit lot number XXXX

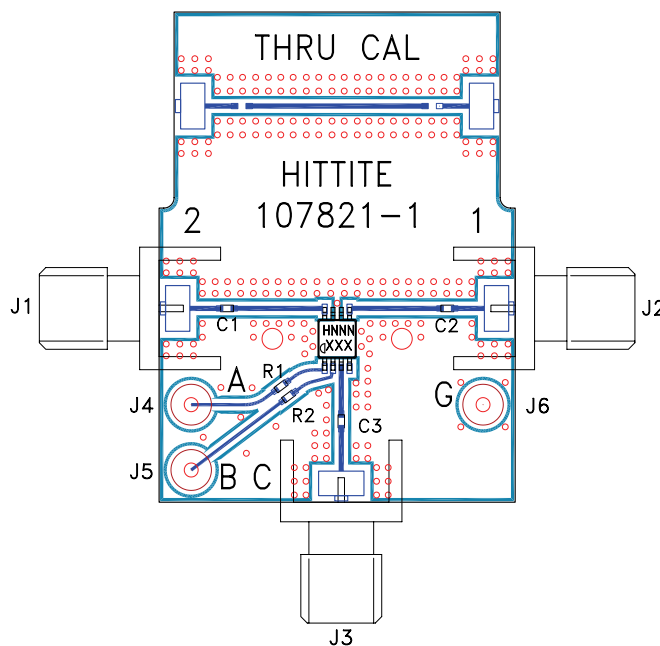


GaAs MMIC POSITIVE CONTROL T/R SWITCH, DC - 6 GHz

Pin Descriptions

| Pin Number | Function | Description | Interface Schematic |
|------------|---------------|-------------------------------------------------------------------------------------------------|---------------------|
| 1 | A | See truth and control voltage tables. | |
| 2 | B | See truth and control voltage tables. | |
| 3, 5, 8 | RFC, RF1, RF2 | These pins are DC coupled and matched to 50 Ohms. Blocking capacitors are required. | |
| 4 | N/C | No connection required. This pin may be connected to RF/DC ground without affecting performance | |
| 6, 7 | GND | Package bottom has exposed metal paddle that must also be connected to RF/DC ground. | |

Evaluation PCB



List of Materials for Evaluation PCB 105143 [1]

| Item | Description |
|---------|--------------------------------------|
| J1 - J3 | PCB Mount SMA RF Connector |
| J4 - J6 | DC Pin |
| C1 - C3 | 100 pF Capacitor, 0402 Pkg. |
| R1 - R2 | 100 Ohm Resistor, 0402 Pkg. |
| U1 | HMC536MS8G / HMC536MS8GE SPDT Switch |
| PCB [2] | 107821 Evaluation PCB |

[1] Reference this number when ordering complete evaluation PCB

[2] Circuit Board Material: Rogers 4350

The circuit board used in the application should be generated with proper RF circuit design techniques. Signal lines at the RF port should have 50 Ohm impedance and the package ground leads and exposed paddle should be connected directly to the ground plane similar to that shown above. The evaluation circuit board shown above is available from Analog Devices upon request.



Компания «ЭлектроПласт» предлагает заключение долгосрочных отношений при поставках импортных электронных компонентов на взаимовыгодных условиях!

Наши преимущества:

- Оперативные поставки широкого спектра электронных компонентов отечественного и импортного производства напрямую от производителей и с крупнейших мировых складов;
- Поставка более 17-ти миллионов наименований электронных компонентов;
- Поставка сложных, дефицитных, либо снятых с производства позиций;
- Оперативные сроки поставки под заказ (от 5 рабочих дней);
- Экспресс доставка в любую точку России;
- Техническая поддержка проекта, помощь в подборе аналогов, поставка прототипов;
- Система менеджмента качества сертифицирована по Международному стандарту ISO 9001;
- Лицензия ФСБ на осуществление работ с использованием сведений, составляющих государственную тайну;
- Поставка специализированных компонентов (Xilinx, Altera, Analog Devices, Intersil, Interpoint, Microsemi, Aeroflex, Peregrine, Syfer, Eurofarad, Texas Instrument, Miteq, Cobham, E2V, MA-COM, Hittite, Mini-Circuits, General Dynamics и др.);

Помимо этого, одним из направлений компании «ЭлектроПласт» является направление «Источники питания». Мы предлагаем Вам помощь Конструкторского отдела:

- Подбор оптимального решения, техническое обоснование при выборе компонента;
- Подбор аналогов;
- Консультации по применению компонента;
- Поставка образцов и прототипов;
- Техническая поддержка проекта;
- Защита от снятия компонента с производства.



Как с нами связаться

Телефон: 8 (812) 309 58 32 (многоканальный)

Факс: 8 (812) 320-02-42

Электронная почта: org@eplast1.ru

Адрес: 198099, г. Санкт-Петербург, ул. Калинина, дом 2, корпус 4, литера А.