



Rotary Switches



Rotary Switches

Customization is standard with Honeywell's rotary switches. Honeywell's broad range of product options make building the specific rotary switch for an application simple. Optional features of momentary positions, terminal and integral connector types, UL-ratings, and various circuitry configurations are available to promote design flexibility. These options, coupled with the wide electrical rating and temperature range, come standard on every switch to meet growing customers' needs.

These rugged and reliable switches enhance application reliability and facilitate equipment operation and control with their ability to keep dirt and moisture out of the contact chamber, thereby supporting longer switch life. The two-, three- and four- position rotary switch options integrate into specific application designs.

Designed to withstand harsh environments with a durable, environmentally sealed design, Honeywell rotary switches are found in rugged applications, from off-road vehicles like ATVs, snowmobiles, and motorcycles to agriculture, construction, industrial, and lawn and garden equipment.

What makes our switches better?

- Durable design with o-rings and weep holes promotes consistent performance in harsh environments
- Multiple position, circuitry, contact, knob, and connector options to address unique application requirements
- UL certified listings offered
- Decades of engineering, design, and application experience

***Manufactured for harsh,
rugged environments***



HIGH DURABILITY
MULTIPLE CONNECTOR CHOICES

Features and Benefits

ENVIRONMENTAL PROTECTION

Honeywell rotary switches are designed and tested to withstand a wide range of environmental conditions and contaminants: temperature cycling, chemical splashes, pressure wash, vibration, dust, humidity, and salt. The knob protects rotary cylinder from dust and ingress.

Form factor! Easily customized for specific applications

DURABLE CONSTRUCTION

Polypropylene plastic housing (rear) improves durability and supports equipment weight reduction.

WIDE RANGE OF CONFIGURATIONS

Two-, three-, or four-position switches, maintained and momentary (recoil) positions and numerous circuitry configurations allow for customization of equipment operation and control. UL certification options available, as well.

CONNECTOR CHOICES

Integral connector (Metri-Pack, Sumitomo): Two-, three-, or four-position switches.
Screw terminal: Two- or three-position switches.

FASTER ASSEMBLY

Integral connectors facilitate quick assembly and minimize the potential for wiring errors.

Rotary Switches

Potential Applications



Honeywell rotary switches can be used in a variety of transportation and industrial applications ranging from run/start ignition to single-point control for lights and accessories.

TRANSPORTATION

- All-terrain vehicles
- Snowmobiles
- Golf carts
- Aerial/scissor/boom lifts
- Telehandlers
- Construction equipment
- Skid loaders
- Forklifts
- Agricultural equipment
- Tractors
- Material handlers
- Marine equipment
- Generators



Rotary Switches

Table 1. Electrical and Environmental Specifications

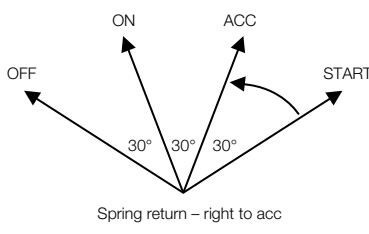
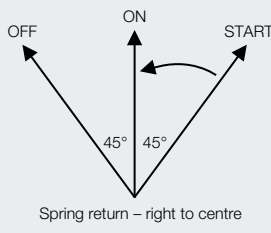
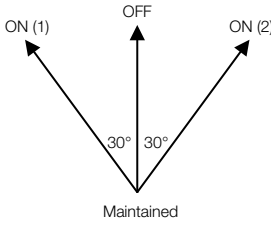
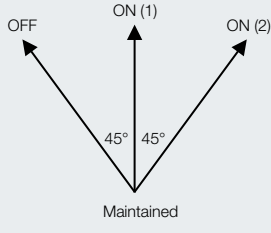
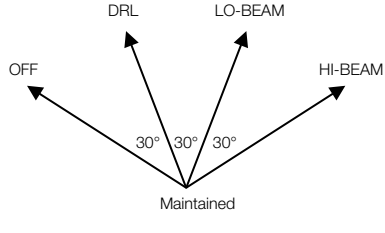
Characteristics	Integral Connector	Screw Terminal
Connector	Delphi Metri-Pack or Sumitomo	screw
Electrical ratings (res.)	12 Vdc, 20 A	12 Vdc, 20 A; 24 Vdc, 10 A; 48 Vdc, 4 A
Operating temperature	-40 °C to 85 °C [-40 °F to 185 °F]	-40 °C to 85 °C [-40 °F to 185 °F]
Cycle life at electrical load	25000 cycles	25000 cycles
Position	2 position; 3 position; 4 position	2 position; 3 position
Mounting	panel	panel
Depth behind panel	43,43 mm [1.71 in]	39,88 mm [1.57 in]
Sealing	IP rating pending	IP rating pending
Contacts	brass/tin	copper
Approvals	UL available	UL available
Front housing material	40 % mineral-filled nylon	40 % mineral-filled nylon
Rear housing material	polypropylene	polypropylene
Weight	68 g [0.15 lb]	68 g [0.15 lb]

Rotary Switches

Table 2. Order Guide and Specifications

	Catalog Listing	Packaging	Knob/Handle	Connector	Positions	Functions	
	87909-18	100 units per box, with screws & nuts	Knob	Metri-Pack	4	Off-On-Acc-Start (Recoil)	
	90233-18	100 units per box, with screws & nuts	Knob	Metri-Pack	3	Off-On-Start	
	50087487-12	100 units per box, with screws & nuts	Flasher handle	Metri-Pack	3	On (1)-Off-On (2)	
	50089737-18	100 units per box, with screws & nuts	Knob	Sumitomo	3	Off-On (1)-On (2)	
	32309969-001-18	100 units per box, with screws & nuts	Knob	Sumitomo	4	Off-Drl-Lo-Beam-Hi-Beam	

Rotary Switches

Terminals	Electrical Rating	Circuitry																				
4	12 V, 20 A	 <table border="1" data-bbox="1031 336 1412 504"> <thead> <tr> <th></th> <th>Off</th> <th>On</th> <th>Acc</th> <th>Start</th> </tr> </thead> <tbody> <tr> <td>A & B</td> <td>X</td> <td>O</td> <td>X</td> <td>X</td> </tr> <tr> <td>A, B & D</td> <td>X</td> <td>X</td> <td>O</td> <td>X</td> </tr> <tr> <td>A, B & C</td> <td>X</td> <td>X</td> <td>X</td> <td>O</td> </tr> </tbody> </table> <p>Spring return – right to acc</p>		Off	On	Acc	Start	A & B	X	O	X	X	A, B & D	X	X	O	X	A, B & C	X	X	X	O
	Off	On	Acc	Start																		
A & B	X	O	X	X																		
A, B & D	X	X	O	X																		
A, B & C	X	X	X	O																		
4	12 V, 20 A	 <table border="1" data-bbox="1031 630 1331 756"> <thead> <tr> <th></th> <th>Off</th> <th>On</th> <th>Start</th> </tr> </thead> <tbody> <tr> <td>B&C</td> <td>X</td> <td>O</td> <td>O</td> </tr> <tr> <td>A&D</td> <td>X</td> <td>X</td> <td>O</td> </tr> </tbody> </table> <p>Spring return – right to centre</p>		Off	On	Start	B&C	X	O	O	A&D	X	X	O								
	Off	On	Start																			
B&C	X	O	O																			
A&D	X	X	O																			
4	12 V, 20 A	 <table border="1" data-bbox="1031 892 1331 1018"> <thead> <tr> <th></th> <th>On (1)</th> <th>Off</th> <th>On (2)</th> </tr> </thead> <tbody> <tr> <td>B&C</td> <td>O</td> <td>X</td> <td>X</td> </tr> <tr> <td>A&D</td> <td>X</td> <td>X</td> <td>O</td> </tr> </tbody> </table> <p>Maintained</p>		On (1)	Off	On (2)	B&C	O	X	X	A&D	X	X	O								
	On (1)	Off	On (2)																			
B&C	O	X	X																			
A&D	X	X	O																			
4	12 V, 20 A	 <table border="1" data-bbox="1031 1165 1364 1291"> <thead> <tr> <th></th> <th>Off</th> <th>On (1)</th> <th>On (2)</th> </tr> </thead> <tbody> <tr> <td>A, C & D</td> <td>X</td> <td>O</td> <td>X</td> </tr> <tr> <td>B, C & D</td> <td>X</td> <td>X</td> <td>O</td> </tr> </tbody> </table> <p>Maintained</p>		Off	On (1)	On (2)	A, C & D	X	O	X	B, C & D	X	X	O								
	Off	On (1)	On (2)																			
A, C & D	X	O	X																			
B, C & D	X	X	O																			
4	12 V, 20 A	 <table border="1" data-bbox="1031 1417 1477 1585"> <thead> <tr> <th></th> <th>Off</th> <th>Drl</th> <th>Lo-Beam</th> <th>Hi-Beam</th> </tr> </thead> <tbody> <tr> <td>C & D</td> <td>X</td> <td>O</td> <td>X</td> <td>X</td> </tr> <tr> <td>A, C & D</td> <td>X</td> <td>X</td> <td>O</td> <td>X</td> </tr> <tr> <td>B, C & D</td> <td>X</td> <td>X</td> <td>X</td> <td>O</td> </tr> </tbody> </table> <p>Maintained</p>		Off	Drl	Lo-Beam	Hi-Beam	C & D	X	O	X	X	A, C & D	X	X	O	X	B, C & D	X	X	X	O
	Off	Drl	Lo-Beam	Hi-Beam																		
C & D	X	O	X	X																		
A, C & D	X	X	O	X																		
B, C & D	X	X	X	O																		

Rotary Switches

Table 3. Packaging Codes

Code	Quantity/Packaging	Fastenings
12	100 units per box	100 mounting nuts in a bag, 100 handles in a bag, and 100 mounting screws in a bag, placed in top layer of carton
18	100 units per box	100 mounting nuts in a bag, 100 knobs in a bag, and 100 mounting screws in a bag, placed in top layer of carton

DIMENSIONAL DRAWINGS

Figure 1. Model 87909 Rotary Switch Dimensions

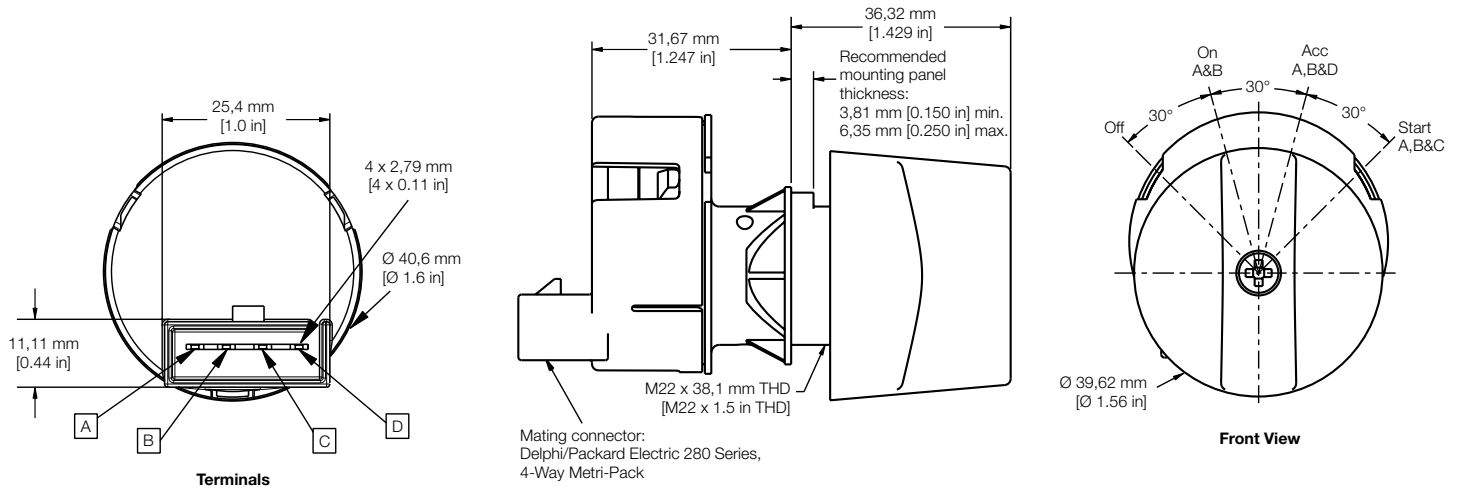
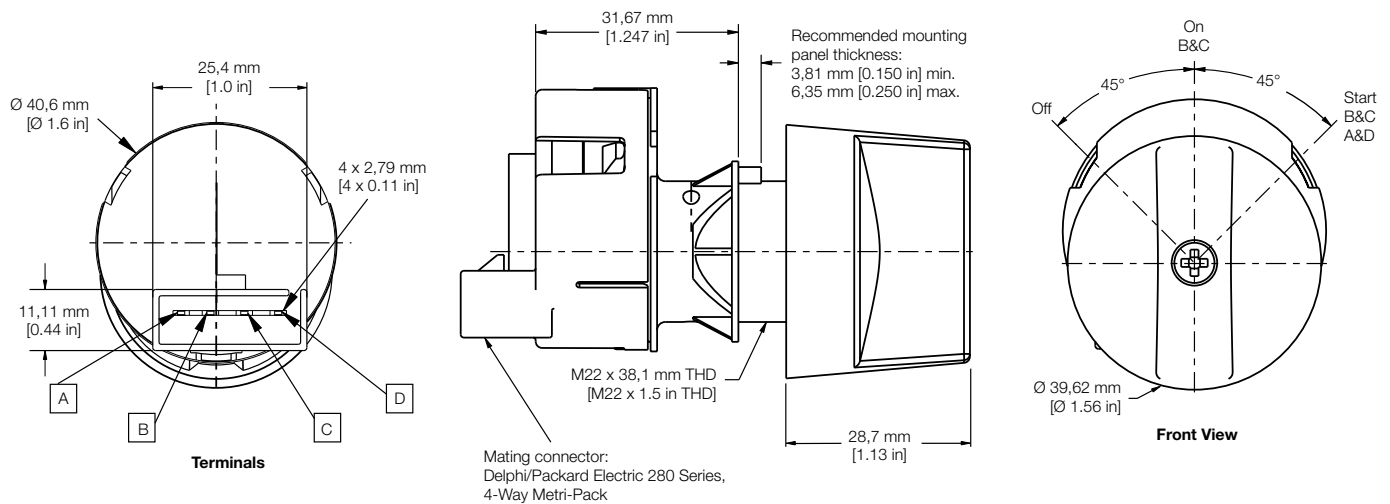


Figure 2. Model 90233 Rotary Switch Dimensions



Rotary Switches

Figure 3. Model 50087487 Rotary Switch Dimensions

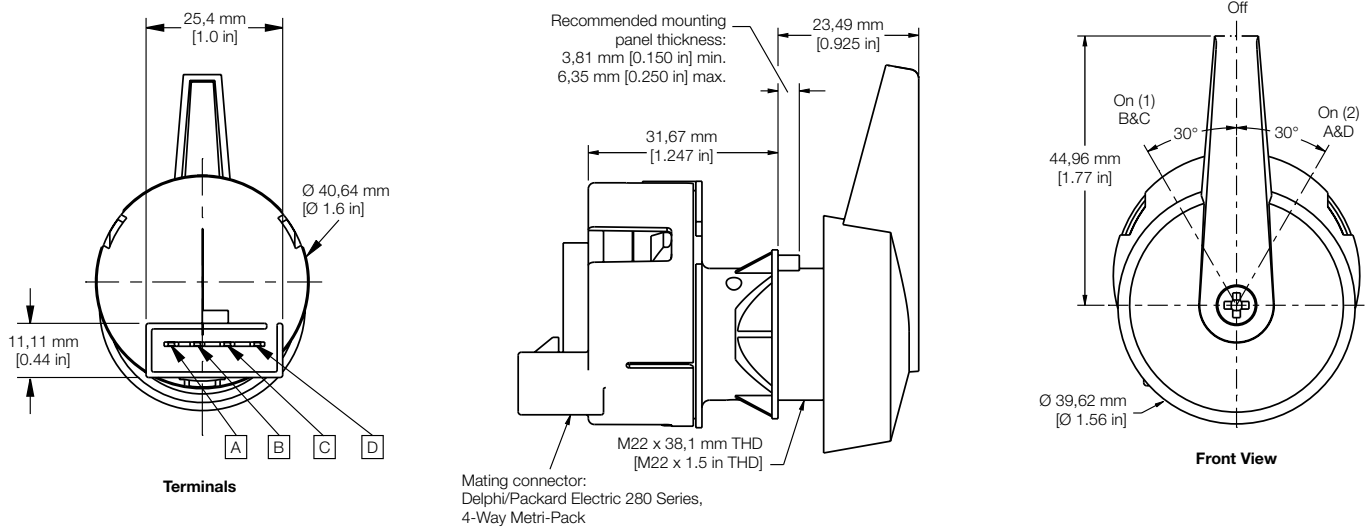


Figure 4. Model 50089737 Rotary Switch Dimensions

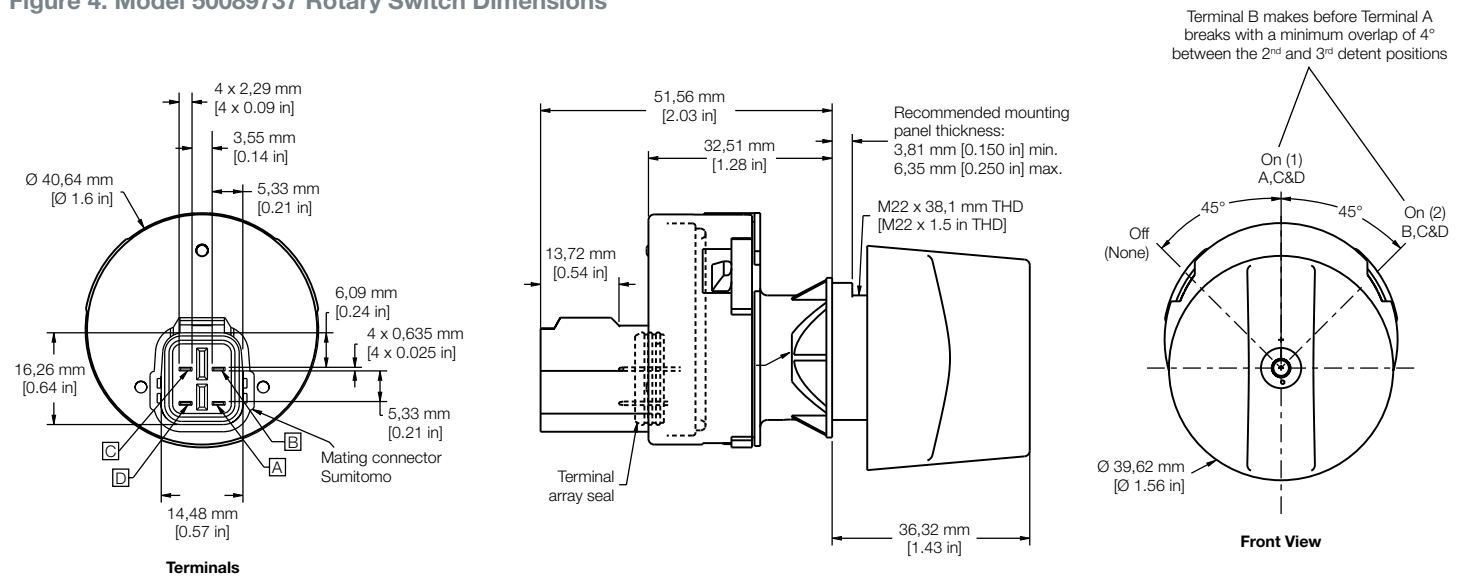
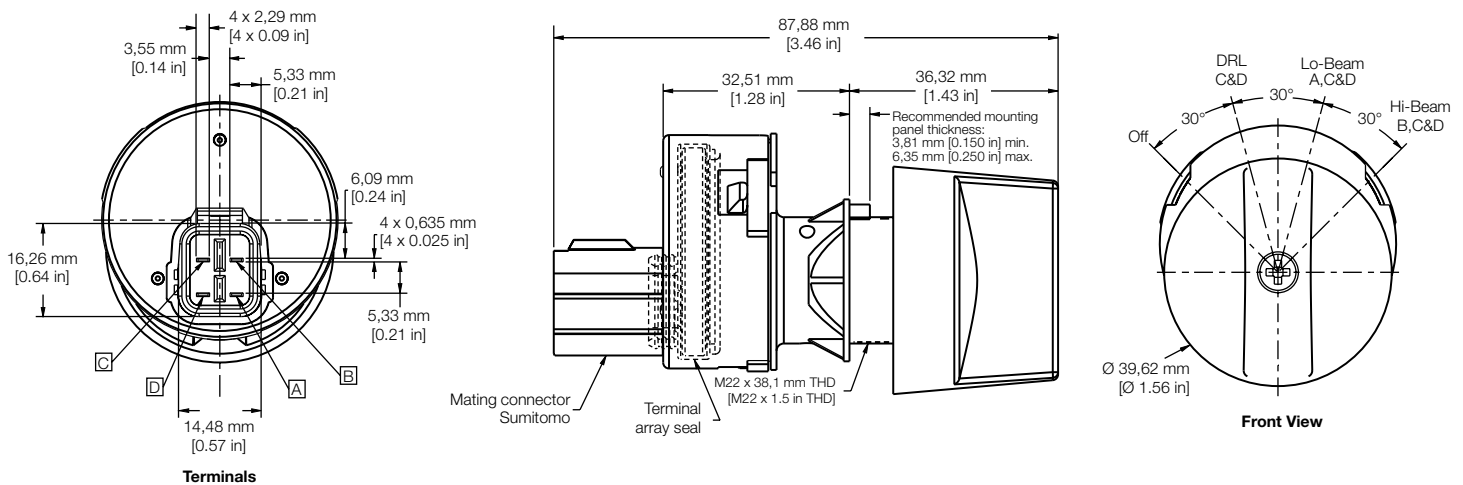
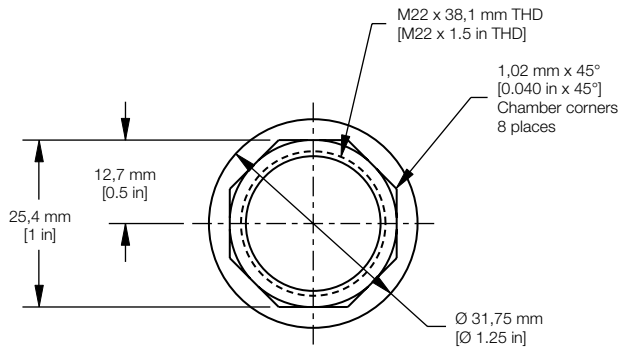


Figure 5. Model 32309969 Rotary Switch Dimensions



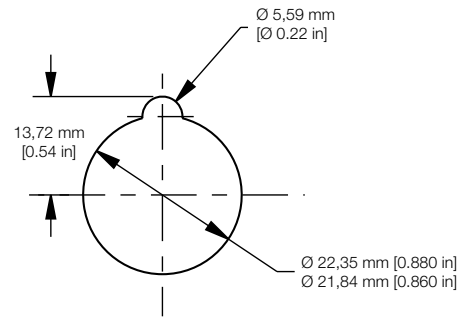
Rotary Switches

Figure 6. Mounting Nut Dimensions



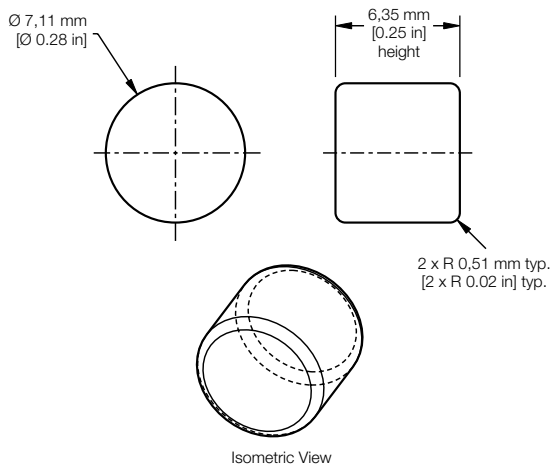
Part number 81942
Torque to 0,576 Kg-m [50 in-lb] max.

Figure 7. Mounting Hole Cutout Dimensions



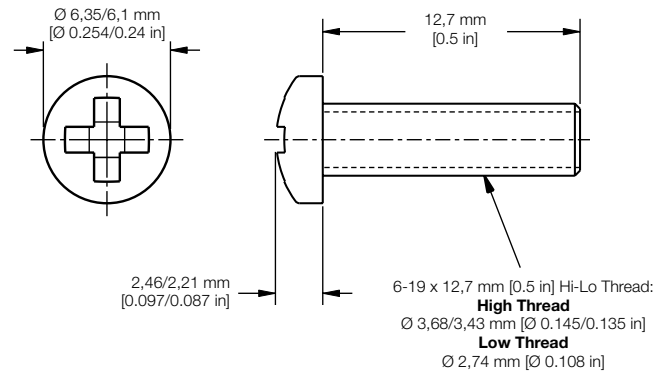
Recommended mounting panel thickness:
3,81 mm [0.15 in] min.
6,35 mm [0.25 in] max.

Figure 8. Mounting Plug Dimensions



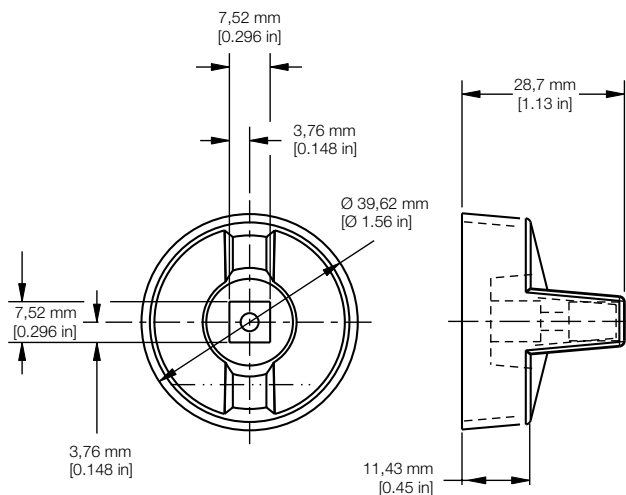
Part number 88552

Figure 9. Mounting Screw Dimensions



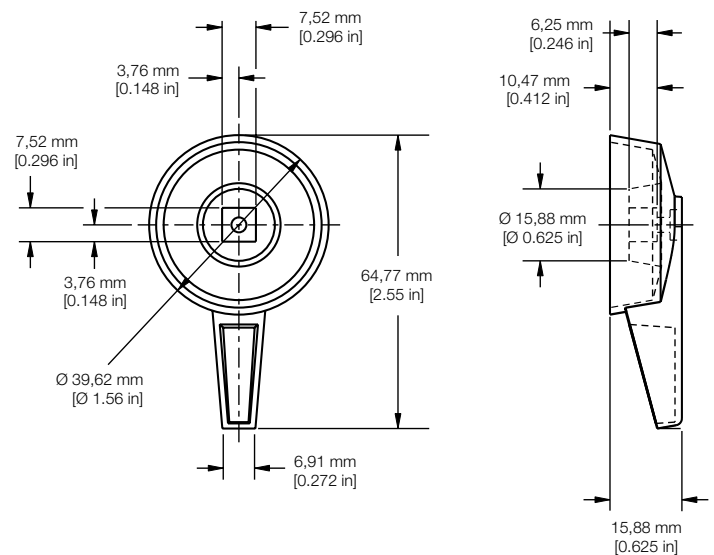
Part number 84833
#6-19 x 12,7 mm [0.5 in] screw
Torque to 0,046 Kg-m [4 in-lb]

Figure 10. Mounting Knob Dimensions



Part number 88024

Figure 11. Mounting Flasher Handle Dimensions



Part number 73243

ADDITIONAL INFORMATION

The following associated literature is available on the Honeywell website at sensing.honeywell.com:

- Product installation instructions
- Product range guide
- Product line guide
- Product application-specific information
 - Application note: Sensors and switches in front loaders
 - Application note: Sensors and switches in mobile cranes
 - Application note: Sensors and switches in oil rig applications

Find out more

Honeywell serves its customers through a worldwide network of sales offices, representatives and distributors. For application assistance, current specifications, pricing or name of the nearest Authorized Distributor, contact your local sales office.

To learn more about Honeywell's sensing and control products, call **+1-815-235-6847** or **1-800-537-6945**, visit **sensing.honeywell.com**, or email inquiries to **info.sc@honeywell.com**

Sensing and Control
Honeywell
1985 Douglas Drive North
Golden Valley, MN 55422
honeywell.com

WARNING

PERSONAL INJURY

DO NOT USE these products as safety or emergency stop devices or in any other application where failure of the product could result in personal injury.

Failure to comply with these instructions could result in death or serious injury.

WARNING

MISUSE OF DOCUMENTATION

- The information presented in this product sheet is for reference only. Do not use this document as a product installation guide.
- Complete installation, operation, and maintenance information is provided in the instructions supplied with each product.

Failure to comply with these instructions could result in death or serious injury.

WARRANTY/REMEDY

Honeywell warrants goods of its manufacture as being free of defective materials and faulty workmanship. Honeywell's standard product warranty applies unless agreed to otherwise by Honeywell in writing; please refer to your order acknowledgement or consult your local sales office for specific warranty details. If warranted goods are returned to Honeywell during the period of coverage, Honeywell will repair or replace, at its option, without charge those items it finds defective. **The foregoing is buyer's sole remedy and is in lieu of all other warranties, expressed or implied, including those of merchantability and fitness for a particular purpose. In no event shall Honeywell be liable for consequential, special, or indirect damages.**

While we provide application assistance personally, through our literature and the Honeywell website, it is up to the customer to determine the suitability of the product in the application.

Specifications may change without notice. The information we supply is believed to be accurate and reliable as of this printing. However, we assume no responsibility for its use.

Honeywell



Компания «ЭлектроПласт» предлагает заключение долгосрочных отношений при поставках импортных электронных компонентов на взаимовыгодных условиях!

Наши преимущества:

- Оперативные поставки широкого спектра электронных компонентов отечественного и импортного производства напрямую от производителей и с крупнейших мировых складов;
- Поставка более 17-ти миллионов наименований электронных компонентов;
- Поставка сложных, дефицитных, либо снятых с производства позиций;
- Оперативные сроки поставки под заказ (от 5 рабочих дней);
- Экспресс доставка в любую точку России;
- Техническая поддержка проекта, помощь в подборе аналогов, поставка прототипов;
- Система менеджмента качества сертифицирована по Международному стандарту ISO 9001;
- Лицензия ФСБ на осуществление работ с использованием сведений, составляющих государственную тайну;
- Поставка специализированных компонентов (Xilinx, Altera, Analog Devices, Intersil, Interpoint, Microsemi, Aeroflex, Peregrine, Syfer, Eurofarad, Texas Instrument, Miteq, Cobham, E2V, MA-COM, Hittite, Mini-Circuits, General Dynamics и др.);

Помимо этого, одним из направлений компании «ЭлектроПласт» является направление «Источники питания». Мы предлагаем Вам помощь Конструкторского отдела:

- Подбор оптимального решения, техническое обоснование при выборе компонента;
- Подбор аналогов;
- Консультации по применению компонента;
- Поставка образцов и прототипов;
- Техническая поддержка проекта;
- Защита от снятия компонента с производства.



Как с нами связаться

Телефон: 8 (812) 309 58 32 (многоканальный)

Факс: 8 (812) 320-02-42

Электронная почта: org@eplast1.ru

Адрес: 198099, г. Санкт-Петербург, ул. Калинина, дом 2, корпус 4, литера А.