

Linear, Fixed Constant Current LED Driver

Features

- ▶ 20mA $\pm 10\%$ constant current drive
- ▶ 1.0V dropout
- ▶ 90V rating for transient immunity
- ▶ Temperature compensated
- ▶ 4.75 - 90V supply range

Applications

- ▶ Specialty lighting
- ▶ Low voltage signage

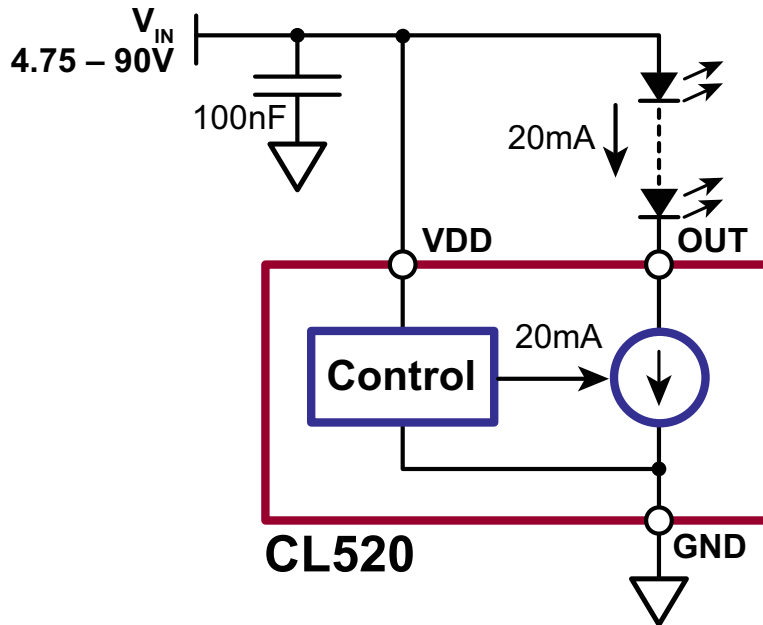
General Description

The CL520 is a fixed, linear current regulator designed for driving LEDs at 20mA. With a maximum rating of 90V, it is able to withstand transients without the need for additional transient protection circuitry. It is ideally suited for applications employing single or multiple LEDs.

The minimum dropout voltage of 1.0V accommodates extra LEDs, permits lower supply voltages, and provides more efficient operation.

The CL520 is offered in TO-252(D-PAK) and TO-92 packages.

Typical Application Circuit



Ordering Information

| Part Number | Package Options | Packing |
|----------------|-----------------|-----------|
| CL520K4-G | TO-252 (D-PAK) | 2000/Reel |
| CL520N3-G | TO-92 | 1000/Bag |
| CL520N3-G P002 | TO-92 | 2000/Reel |
| CL520N3-G P003 | TO-92 | 2000/Reel |
| CL520N3-G P005 | TO-92 | 2000/Reel |
| CL520N3-G P013 | TO-92 | 2000/Reel |
| CL520N3-G P014 | TO-92 | 2000/Reel |

-G denotes a lead (Pb)-free / RoHS compliant package

Refer to 'P0xx' Tape & Reel Specs for P002, P003, P005, P013, and P014 TO-92 Taping Specifications and Winding Styles

Absolute Maximum Ratings

| Parameter | Value |
|--------------------------------|-----------------|
| Supply voltage, V_{DD} | -0.5V to +100V |
| Output voltage, V_{OUT} | -0.5V to +100V |
| Operating junction temperature | -40°C to +125°C |
| Storage temperature | -65°C to +150°C |

Absolute Maximum Ratings are those values beyond which damage to the device may occur. Functional operation under these conditions is not implied. Continuous operation of the device at the absolute rating level may affect device reliability. All voltages are referenced to device ground..

Typical Thermal Resistance

| Package | θ_{ja} |
|----------------|---------------|
| TO-252 (D-PAK) | 81°C/W* |
| TO-92 | 132°C/W* |

* Mounted on JEDEC test PCB (2s 2p)

Recommended Operating Conditions (all voltages with respect to GND pin)

| Sym | Parameter | Min | Typ | Max | Units | Conditions |
|-----------|---------------------------------|------|-----|-----|-------|------------|
| V_{DD} | Supply voltage | 4.75 | - | 90 | V | --- |
| V_{OUT} | Voltage at OUT pin ¹ | 1.0 | - | 90 | V | --- |
| T_J | Junction temperature | -40 | - | 125 | °C | --- |
| C_{DD} | V_{DD} bypass capacitor | 100 | - | - | nF | |

Pin Configurations



TO-252 (D-PAK)



TO-92

Product Marking

Si YYWW
CL520K4
LLLLLLL

YY = Year Sealed
WW = Week Sealed
L = Lot Number
_____ = "Green" Packaging

Package may or may not include the following marks: Si or

TO-252 (D-PAK)

SiCL
5 2 0
YYWW

YY = Year Sealed
WW = Week Sealed
_____ = "Green" Packaging

Package may or may not include the following marks: Si or

TO-92

Electrical Characteristics

(Over recommended operating conditions. $T_A = 25^\circ\text{C}$ unless otherwise specified. All voltages with respect to GND pin)

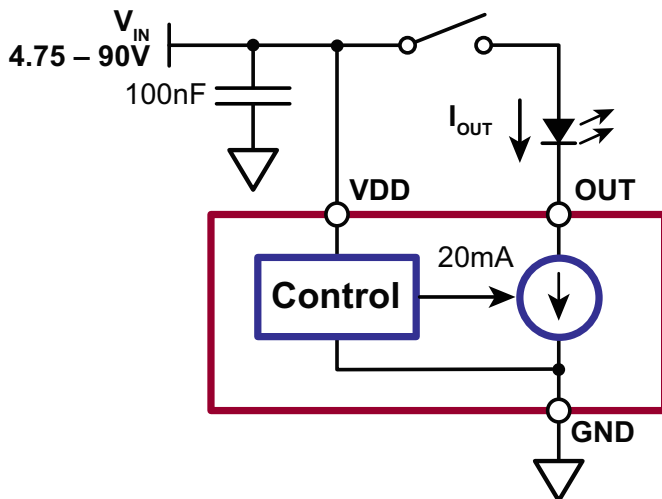
| Sym | Parameter | Min | Typ | Max | Units | Conditions |
|----------------|--|-----|-----|-----|---------------|--------------------------------------|
| I_{DD} | Current into VDD pin | - | - | 1.0 | mA | --- |
| I_{OUT} | Current into OUT pin | 18 | 20 | 22 | mA | $1.0\text{V} < V_{OUT} < 90\text{V}$ |
| | | - | - | 22 | | $V_{OUT} < 1.0\text{V}$ |
| $I_{OUT(OFF)}$ | Current into OUT pin with VDD pin open | - | - | 10 | μA | $V_{DD} = \text{open}$ |
| $V_{DD(OFF)}$ | Voltage at VDD to shut off LED current | - | - | 1.0 | V | $I_{OUT} < 10\mu\text{A}$ |
| t_{ON} | VDD applied on time | - | - | 100 | μs | --- |
| t_{OFF} | VDD removed off time | - | - | 100 | μs | --- |

Temperature Effects



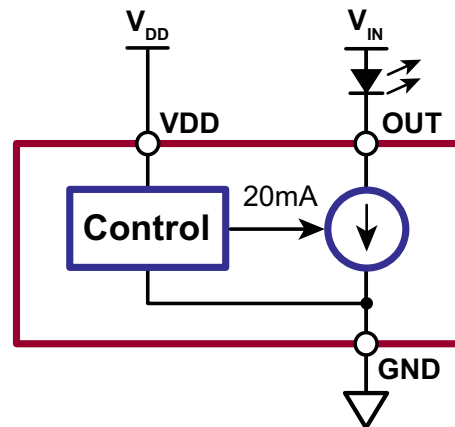
Application Circuits

Switched LED



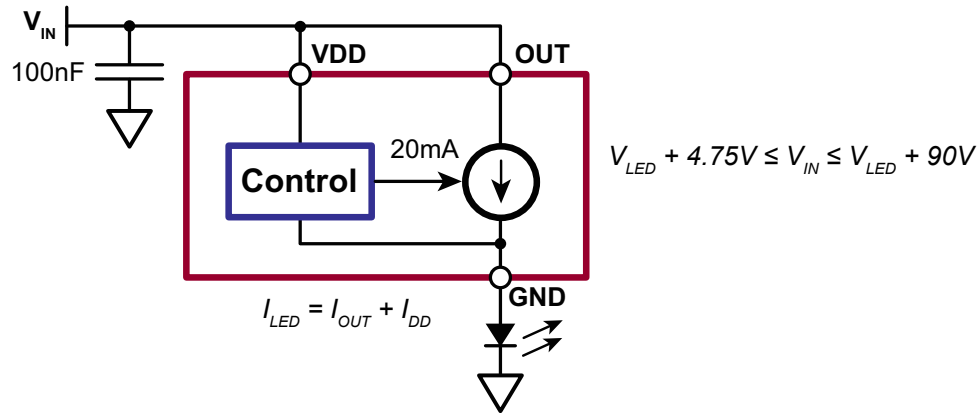
Separate LED Supply

(V_{OUT} may be higher or lower than V_{DD})



Application Circuits

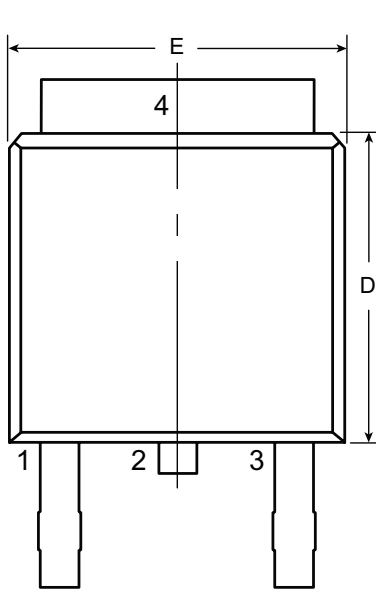
Ground Referenced LEDs



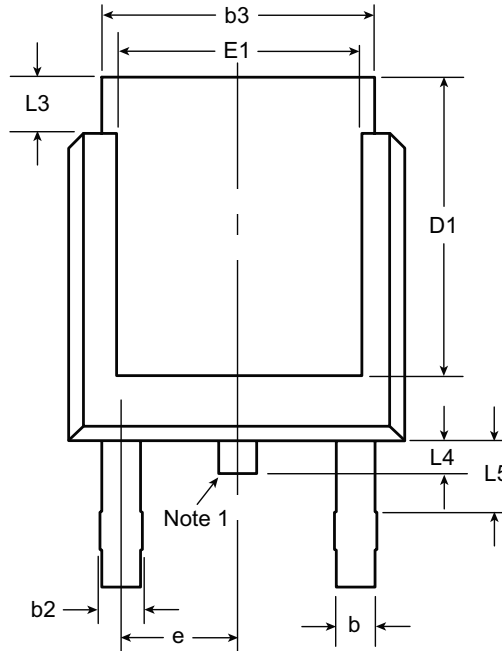
Pin Description

| Pin # | | Name | Description |
|-------------------------|---------------|------|--|
| TO-252 D-PAK (K4) | TO-92 (N3) | | |
| 1 | 1 | VDD | Supply voltage for the CL520. Bypass locally with a 100nF capacitor to ground. |
| 3 | 2 | OUT | Constant current output (sink). |
| 4 | 3 | GND | Circuit common. |

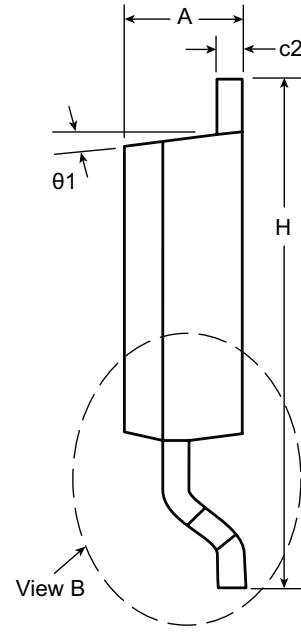
3-Lead TO-252 D-PAK Package Outline (K4)



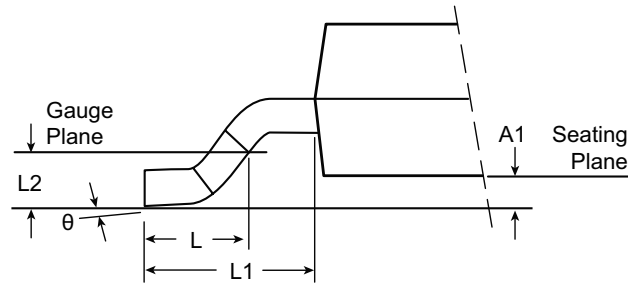
Front View



Rear View



Side View



View B

Note:

1. Although 4 terminal locations are shown, only 3 are functional. Lead number 2 was removed.

| Symbol | A | A1 | b | b2 | b3 | c2 | D | D1 | E | E1 | e | H | L | L1 | L2 | L3 | L4 | L5 | θ | θ1 | | |
|--------------------|-----|------|-------|------|------|------|------|------|-------|------|-------|------|------|----------|----------|------|-------|------|-----|-----|---|---|
| Dimension (inches) | MIN | .086 | .000* | .025 | .030 | .195 | .018 | .235 | .205 | .250 | .170 | .370 | .055 | .108 REF | .020 BSC | .035 | .025* | .045 | 0° | 0° | | |
| | NOM | - | - | - | - | - | - | .240 | - | - | - | - | .060 | | | - | - | - | - | - | - | - |
| | MAX | .094 | .005 | .035 | .045 | .215 | .035 | .245 | .217* | .265 | .182* | .410 | .070 | | | .050 | .040 | .060 | 10° | 15° | | |

JEDEC Registration TO-252, Variation AA, Issue E, June 2004.

* This dimension is not specified in the JEDEC drawing.

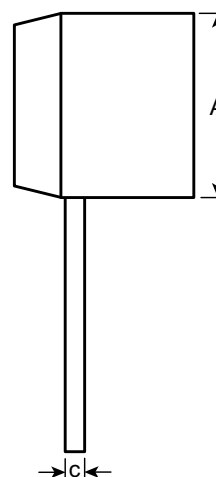
Drawings not to scale.

Supertex Doc. #: DSPD-3TO252K4, Version E041309.

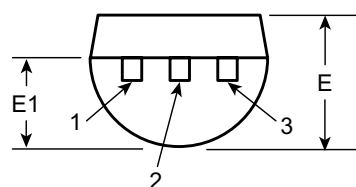
3-Lead TO-92 Package Outline (N3)



Front View



Side View



Bottom View

| Symbol | | A | b | c | D | E | E1 | e | e1 | L |
|------------------------|-----|------|-------------------|-------------------|------|------|------|------|------|-------|
| Dimensions (inches) | MIN | .170 | .014 [†] | .014 [†] | .175 | .125 | .080 | .095 | .045 | .500 |
| | NOM | - | - | - | - | - | - | - | - | - |
| | MAX | .210 | .022 [†] | .022 [†] | .205 | .165 | .105 | .105 | .055 | .610* |

JEDEC Registration TO-92.

* This dimension is not specified in the JEDEC drawing.

† This dimension differs from the JEDEC drawing.

Drawings not to scale.

Supertex Doc.#: DSPD-3TO92N3, Version E041009.

(The package drawing(s) in this data sheet may not reflect the most current specifications. For the latest package outline information go to <http://www.supertex.com/packaging.html>.)

Supertex inc. does not recommend the use of its products in life support applications, and will not knowingly sell them for use in such applications unless it receives an adequate "product liability indemnification insurance agreement." **Supertex inc.** does not assume responsibility for use of devices described, and limits its liability to the replacement of the devices determined defective due to workmanship. No responsibility is assumed for possible omissions and inaccuracies. Circuitry and specifications are subject to change without notice. For the latest product specifications refer to the **Supertex inc.** (website: <http://www.supertex.com>)



Компания «ЭлектроПласт» предлагает заключение долгосрочных отношений при поставках импортных электронных компонентов на взаимовыгодных условиях!

Наши преимущества:

- Оперативные поставки широкого спектра электронных компонентов отечественного и импортного производства напрямую от производителей и с крупнейших мировых складов;
- Поставка более 17-ти миллионов наименований электронных компонентов;
- Поставка сложных, дефицитных, либо снятых с производства позиций;
- Оперативные сроки поставки под заказ (от 5 рабочих дней);
- Экспресс доставка в любую точку России;
- Техническая поддержка проекта, помощь в подборе аналогов, поставка прототипов;
- Система менеджмента качества сертифицирована по Международному стандарту ISO 9001;
- Лицензия ФСБ на осуществление работ с использованием сведений, составляющих государственную тайну;
- Поставка специализированных компонентов (Xilinx, Altera, Analog Devices, Intersil, Interpoint, Microsemi, Aeroflex, Peregrine, Syfer, Eurofarad, Texas Instrument, Miteq, Cobham, E2V, MA-COM, Hittite, Mini-Circuits, General Dynamics и др.);

Помимо этого, одним из направлений компании «ЭлектроПласт» является направление «Источники питания». Мы предлагаем Вам помощь Конструкторского отдела:

- Подбор оптимального решения, техническое обоснование при выборе компонента;
- Подбор аналогов;
- Консультации по применению компонента;
- Поставка образцов и прототипов;
- Техническая поддержка проекта;
- Защита от снятия компонента с производства.



Как с нами связаться

Телефон: 8 (812) 309 58 32 (многоканальный)

Факс: 8 (812) 320-02-42

Электронная почта: org@eplast1.ru

Адрес: 198099, г. Санкт-Петербург, ул. Калинина, дом 2, корпус 4, литера А.