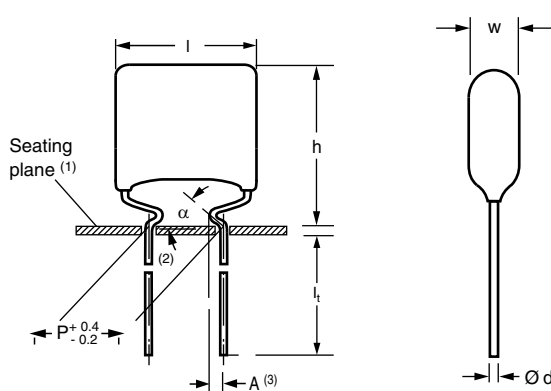
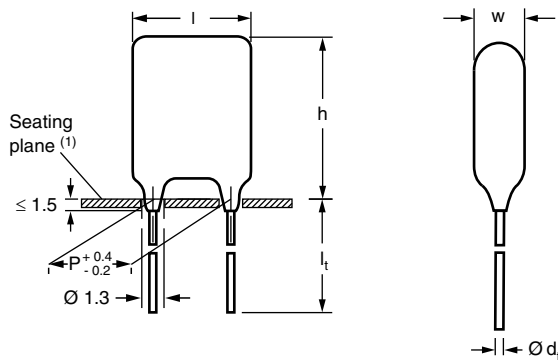


DC Film Capacitors MKT Radial Lacquered Type

366 Kinked Leads

365 Bent Back Leads

367 Straight Leads

Notes

- (1) Hole \varnothing 1.0 for $d_t = 0.5$ mm
 (2) $0 \leq \alpha < 50^\circ$
 (3) $A = 1.7 \pm 0.3$ mm

CONSTRUCTION

Mono construction

FEATURES

- AEC-Q200 qualified
- Available taped and loose in box
- Compliant to RoHS Directive 2002/95/EC

APPLICATIONS

Blocking and coupling, bypass and energy reservoir.

REFERENCE STANDARDS

IEC 60384-2

MARKING

C-value; rated voltage; tolerance

DIELECTRIC

Polyester film

ELECTRODES

Metalized

RATED VOLTAGE

 63 V_{DC}, 100 V_{DC}, 250 V_{DC}, 400 V_{DC}
RATED VOLTAGE

 40 V_{AC}, 63 V_{AC}, 160 V_{AC}, 220 V_{AC}
COATING ENCAPSULATION

Flame retardant epoxy material (UL-class 94 V-0)

CLIMATIC TESTING CLASS ACC. TO IEC 60068-1

55/105/56

RATED TEMPERATURE

85 °C

CAPACITANCE RANGE (E12 SERIES)
365: 0.01 μ F to 1.0 μ F

366: 0.0033 μ F to 1.0 μ F

367: 0.0033 μ F to 1.0 μ F

CAPACITANCE TOLERANCE
 $\pm 10 \%$, $\pm 5 \%$
LEADS

Tinned wire

MAXIMUM APPLICATION TEMPERATURE

105 °C

DETAIL SPECIFICATION

For more detailed data and test requirements contact:

dc-film@vishay.com

**RoHS
COMPLIANT**

COMPOSITION OF CATALOG NUMBER: 365



| TYPE | PACKAGING | LEAD CONFIGURATION | PREFERRED TYPES | | | | |
|--|--|---|-----------------|------|-------|-------|-------|
| | | | C-TOL. | 63 V | 100 V | 250 V | 400 V |
| 365 | Ammopack | Bent back leads; H = 16.0 mm; P ₀ = 12.7 mm | ± 10 % | 15 | 25 | 45 | 55 |
| | | | ± 5 % | 16 | 26 | 46 | 56 |
| | Dimensions of these code numbers stay between brackets | | | | | | |
| | Taped on reel ⁽¹⁾ | Bent back leads; H = 16.0 mm; P ₀ = 12.7 mm | ± 10 % | 11 | 21 | 41 | 51 |
| ± 5 % | | | 12 | 22 | 42 | 52 | |
| Dimensions of these code numbers stay between brackets | | | | | | | |

Note

⁽¹⁾ For detailed tape specifications refer to packaging information: www.vishay.com/doc?28139

SPECIFIC REFERENCE DATA: 365

| DESCRIPTION | VALUE | | | |
|--|-------------------------|--------------------------|--------------------------|---------------------|
| | at 1 kHz | at 10 kHz | at 100 kHz | |
| Tangent of loss angle: | | | | |
| C ≤ 0.47 μF | ≤ 75 x 10 ⁻⁴ | ≤ 130 x 10 ⁻⁴ | ≤ 225 x 10 ⁻⁴ | |
| C > 0.47 μF | ≤ 75 x 10 ⁻⁴ | ≤ 130 x 10 ⁻⁴ | - | |
| Rated voltage pulse slope (dU/dt) _R at | 63 V _{DC} | 100 V _{DC} | 250 V _{DC} | 400 V _{DC} |
| | 110 V/μs | 110 V/μs | 130 V/μs | 170 V/μs |
| R between leads, for C ≤ 0.33 μF | | | | |
| at 10 V; 1 min | > 15 000 MΩ | | | |
| at 100 V; 1 min | | > 15 000 MΩ | > 30 000 MΩ | > 30 000 MΩ |
| RC between leads, for C > 0.33 μF at 10 V; 1 min | > 5000 s | | - | |
| R between interconnecting leads and casing, 100 V; 1 min | > 30 000 MΩ | | | |
| Withstanding (DC) voltage (cut off current 10 mA) ⁽¹⁾ ; rise time ≤ 1000 V/s | 100 V; 1 min | 160 V; 1 min | 400 V; 1 min | 640 V; 1 min |
| Maximum application temperature | 105 °C | | | |

Note

⁽¹⁾ See "Voltage Proof Test for Metallized Film Capacitors": www.vishay.com/doc?28169



$U_{RDC} = 63\text{ V}$; $U_{RAC} = 40\text{ V}$ (bent back leads)

| C (μF) | DIMENSIONS $W_{\text{max.}} \times h_{\text{max.}} \times l_{\text{max.}}$ (mm) | MASS (g) ⁽¹⁾ | CATALOG NUMBER BFC2 365 XXYYY AND PACKAGING | | | | C-VALUE ..YYY |
|---|---|----------------------------|---|-----------------------|------------------------|-----------------------|---------------------------------|
| | | | AMMOPACK | | REEL | | |
| | | | H = 16.0 mm | | H = 16.0 mm | | |
| | | | C-tol. = $\pm 10\%$ | C-tol. = $\pm 5\%$ | C-tol. = $\pm 10\%$ | C-tol. = $\pm 5\%$ | |
| | | | XX (SPQ) | XX (SPQ) | XX (SPQ) | XX (SPQ) | |
| Pitch = 5.0 mm + 0.4 mm/- 0.2 mm; $d_t = 0.60 \pm 0.06\text{ mm}$ | | | | | | | |
| 0.12 0.15 0.18 0.22 | 4.0 x 13.5 x 10.0 | 0.35 | 15... (1500) | 16... (1500) | 11... (1500) | 12... (1500) | 124 154 184 224 |
| 0.27 | 4.5 x 14.0 x 10.0 | 0.39 | 15... (1000) | 16... (1000) | 11... (1000) | 12... (1000) | 274 |
| 0.33 0.39 | 5.0 x 14.5 x 10.0 | 0.45 | 15... (1500) | 16... (1000) | 11... (1000) | 12... (1000) | 334 394 |
| 0.47 0.56 0.68 0.82 1.0 | 5.5 x 15.0 x 10.0 | 0.55 | 15... (1000) | 16... (1000) | 11... (1000) | 12... (1000) | 474 564 684 824 105 |

Notes

- ⁽¹⁾ Net weight for short lead products only
- SPQ = Standard Packing Quantity

$U_{RDC} = 100\text{ V}$; $U_{RAC} = 63\text{ V}$ (bent back leads)

| C (μF) | DIMENSIONS $W_{\text{max.}} \times h_{\text{max.}} \times l_{\text{max.}}$ (mm) | MASS (g) ⁽¹⁾ | CATALOG NUMBER BFC2 365 XXYYY AND PACKAGING | | | | C-VALUE ..YYY |
|---|---|----------------------------|---|-----------------------|------------------------|-----------------------|--|
| | | | AMMOPACK | | REEL | | |
| | | | H = 16.0 mm | | H = 16.0 mm | | |
| | | | C-tol. = $\pm 10\%$ | C-tol. = $\pm 5\%$ | C-tol. = $\pm 10\%$ | C-tol. = $\pm 5\%$ | |
| | | | XX (SPQ) | XX (SPQ) | XX (SPQ) | XX (SPQ) | |
| Pitch = 5.0 mm + 0.4 mm/- 0.2 mm; $d_t = 0.60 \pm 0.06\text{ mm}$ | | | | | | | |
| 0.039 0.047 0.056 0.068 0.082 0.1 | 4.0 x 13.5 x 10.0 | 0.35 | 25... (1500) | 26... (1500) | 21... (1500) | 22... (1500) | 393 473 563 683 823 104 |
| 0.12 | 4.5 x 14.0 x 10.5 | 0.40 | 25... (1000) | 26... (1000) | 21... (1000) | 22... (1000) | 124 |
| 0.15 0.18 | 5.0 x 14.5 x 10.5 | 0.45 | 25... (1000) | 26... (1000) | 21... (1000) | 22... (1000) | 154 184 |
| 0.22 | 5.5 x 15.0 x 10.5 | 0.57 | 25... (1000) | 26... (1000) | 21... (1000) | 22... (1000) | 224 |
| 0.27 0.33 0.39 0.47 | 6.0 x 15.5 x 10.5 | 0.60 | 25... (1000) | 26... (1000) | 21... (1000) | 22... (1000) | 274 334 394 474 |

Notes

- ⁽¹⁾ Net weight for short lead products only
- SPQ = Standard Packing Quantity

$U_{RDC} = 250\text{ V}$; $U_{RAC} = 160\text{ V}$ (bent back leads)

| C (μF) | DIMENSIONS $w_{\text{max.}} \times h_{\text{max.}} \times l_{\text{max.}}$ (mm) | MASS (g) ⁽¹⁾ | CATALOG NUMBER BFC2 365 XYYYY AND PACKAGING | | | | C-VALUE ..YYY |
|---|---|----------------------------|---|-----------------------|------------------------|-----------------------|---|
| | | | AMMOPACK | | REEL | | |
| | | | H = 16.0 mm | | H = 16.0 mm | | |
| | | | C-tol. = $\pm 10\%$ | C-tol. = $\pm 5\%$ | C-tol. = $\pm 10\%$ | C-tol. = $\pm 5\%$ | |
| | | | XX (SPQ) | XX (SPQ) | XX (SPQ) | XX (SPQ) | |
| Pitch = 5.0 mm + 0.4 mm/- 0.2 mm; $d_t = 0.60 \pm 0.06\text{ mm}$ | | | | | | | |
| 0.018 0.022 0.027 0.033 0.039 0.047 0.056 | 4.0 x 13.5 x 10.0 | 0.35 | 45... (1500) | 46... (1500) | 41... (1500) | 42... (1500) | 183 223 273 333 393 473 563 |
| 0.068 | 4.5 x 14.0 x 10.0 | 0.39 | 45... (1250) | 46... (1250) | 41... (1000) | 42... (1000) | 683 |
| 0.082 | 4.5 x 13.0 x 10.0 | 0.38 | 45... (1250) | 46... (1250) | 41... (1250) | 42... (1250) | 823 |
| 0.1 | 5.0 x 13.5 x 10.0 | 0.40 | 45... (1000) | 46... (1000) | 41... (1250) | 42... (1250) | 104 |
| 0.12 | 5.5 x 14.0 x 10.0 | 0.50 | 45... (1000) | 46... (1000) | 41... (1000) | 42... (1000) | 124 |
| 0.15 | 5.5 x 15.5 x 10.0 | 0.58 | 45... (1000) | 46... (1000) | 41... (1000) | 42... (1000) | 154 |

Notes

⁽¹⁾ Net weight for short lead products only

- SPQ = Standard Packing Quantity

$U_{RDC} = 400\text{ V}$; $U_{RAC} = 220\text{ V}$ (bent back leads)

| C (μF) | DIMENSIONS $w_{\text{max.}} \times h_{\text{max.}} \times l_{\text{max.}}$ (mm) | MASS (g) ⁽¹⁾ | CATALOG NUMBER BFC2 365 XYYYY AND PACKAGING | | | | C-VALUE ..YYY |
|---|---|----------------------------|---|-----------------------|------------------------|-----------------------|---|
| | | | AMMOPACK | | REEL | | |
| | | | H = 16.0 mm | | H = 16.0 mm | | |
| | | | C-tol. = $\pm 10\%$ | C-tol. = $\pm 5\%$ | C-tol. = $\pm 10\%$ | C-tol. = $\pm 5\%$ | |
| | | | XX (SPQ) | XX (SPQ) | XX (SPQ) | XX (SPQ) | |
| Pitch = 5.0 mm + 0.4 mm/- 0.2 mm; $d_t = 0.60 \pm 0.06\text{ mm}$ | | | | | | | |
| 0.0033 0.0039 0.0047 0.0056 0.0068 0.0082 0.01 0.012 0.015 | 4.0 x 13.5 x 10.0 | 0.35 | 55... (1500) | 56... (1500) | 51... (1500) | 52... (1500) | 332 392 472 562 682 822 103 123 153 |
| 0.018 | 4.5 x 13.0 x 10.0 | 0.38 | 55... (1250) | 56... (1250) | 51... (1250) | 52... (1250) | 183 |
| 0.022 | 5.0 x 13.5 x 10.0 | 0.0 | 55... (1000) | 56... (1000) | 51... (1250) | 52... (1250) | 223 |
| 0.027 | 4.0 x 12.5 x 10.0 | 0.35 | 55... (1500) | 56... (1500) | 51... (1500) | 52... (1500) | 273 |
| 0.033 | 4.5 x 13.0 x 10.0 | 0.38 | 55... (1200) | 56... (1250) | 51... (1250) | 52... (1250) | 333 |
| 0.039 0.047 | 5.0 x 13.5 x 10.0 | 0.40 | 55... (1000) | 56... (1000) | 51... (1250) | 52... (1250) | 393 473 |
| 0.056 | 5.5 x 14.0 x 10.0 | 0.50 | 55... (1000) | 56... (1000) | 51... (1000) | 52... (1000) | 563 |

Notes

⁽¹⁾ Net weight for short lead products only

- SPQ = Standard Packing Quantity



COMPOSITION OF CATALOG NUMBER: 366



| TYPE | PACKAGING | LEAD CONFIGURATION | PREFERRED TYPES | | | | |
|----------------|--------------|--|-----------------|------|-------|-------|-------|
| | | | C-TOL. | 63 V | 100 V | 250 V | 400 V |
| Pitch = 7.5 mm | | | | | | | |
| 366 | Loose in box | Kinked; Lead length 4.0 + 1.0/- 0.5 mm | ± 10 % | 15 | 25 | 45 | 55 |
| | | | ± 5 % | 16 | 26 | 46 | 56 |
| | | Kinked; Lead length 17.0 ± 4.0 mm | ± 10 % | 11 | 21 | 41 | 51 |
| | | | ± 5 % | 12 | 22 | 42 | 52 |
| | Ammopack (1) | Kinked; H = 16.0 mm; P ₀ = 12.7 mm | ± 10 % | 13 | 23 | 43 | 53 |
| | | | ± 5 % | 17 | 27 | 47 | 57 |

Note

(1) For detailed tape specifications refer to packaging information: www.vishay.com/doc?28139

SPECIFIC REFERENCE DATA: 366

| DESCRIPTION | VALUE | | | |
|--|-------------------------|--------------------------|--------------------------|---------------------|
| | at 1 kHz | at 10 kHz | at 100 kHz | |
| Tangent of loss angle: | | | | |
| C ≤ 0.47 μF | ≤ 75 x 10 ⁻⁴ | ≤ 130 x 10 ⁻⁴ | ≤ 225 x 10 ⁻⁴ | |
| C > 0.47 μF | ≤ 75 x 10 ⁻⁴ | ≤ 130 x 10 ⁻⁴ | - | |
| Rated voltage pulse slope (dU/dt) _R at | 63 V _{DC} | 100 V _{DC} | 250 V _{DC} | 400 V _{DC} |
| | 110 V/μs | 110 V/μs | 130 V/μs | 170 V/μs |
| R between leads, for C ≤ 0.33 μF | > 15 000 MΩ | > 15 000 MΩ | > 30 000 MΩ | > 30 000 MΩ |
| at 10 V; 1 min | | | | |
| at 100 V; 1 min | | | | |
| RC between leads, for C > 0.33 μF at 10 V; 1 min | > 5000 s | | - | |
| R between interconnecting leads and casing, 100 V; 1 min | > 30 000 MΩ | | | |
| Withstanding (DC) voltage (cut off current 10 mA) (1); rise time ≤ 1000 V/s | 100 V; 1 min | 160 V; 1 min | 400 V; 1 min | 640 V; 1 min |
| Maximum application temperature | 105 °C | | | |

Note

(1) See "Voltage Proof Test for Metallized Film Capacitors": www.vishay.com/doc?28169

MKT365, MKT366, MKT367



Vishay BCcomponents

DC Film Capacitors
MKT Radial Lacquered Type

$U_{RDC} = 63 \text{ V}$; $U_{RAC} = 40 \text{ V}$

| C (μF) | DIMENSIONS $w_{\text{max.}} \times h_{\text{max.}} \times l_{\text{max.}}$ (mm) | MASS (g) ⁽¹⁾ | CATALOG NUMBER BFC2 366 XXYYY AND PACKAGING | | | | | | C-VALUE ..YYY |
|--|---|----------------------------|--|------------------------|--|------------------------|-------------------------|------------------------|--------------------------|
| | | | LOOSE IN BOX | | | | AMMOPACK | | |
| | | | $l_t = 4.0 \text{ mm} + 1.0 \text{ mm} / - 0.5 \text{ mm}$ | | $l_t = 17.0 \text{ mm} \pm 4.0 \text{ mm}$ | | $H = 16.0 \text{ mm}$ | | |
| | | | C-tol. = $\pm 10 \%$ | C-tol. = $\pm 5 \%$ | C-tol. = $\pm 10 \%$ | C-tol. = $\pm 5 \%$ | C-tol. = $\pm 10 \%$ | C-tol. = $\pm 5 \%$ | |
| | | | XX (SPQ) | XX (SPQ) | XX (SPQ) | XX (SPQ) | XX (SPQ) | XX (SPQ) | |
| Pitch = 7.5 mm + 0.4 mm / - 0.2 mm; $d_t = 0.60 \pm 0.06 \text{ mm}$ | | | | | | | | | |
| 0.12 0.15 0.18 0.22 | 4.0 x 12.0 x 10.0 | 0.30 | 15... (1000) | 16... (1000) | 11... (1000) | 12... (1000) | 13... (1500) | 17... (1500) | 124 154 184 224 |
| 0.27 | 4.5 x 13.0 x 10.5 | 0.38 | 15... (1000) | 16... (1000) | 11... (1000) | 12... (1000) | 13... (1250) | 17... (1250) | 274 |
| 0.33 0.39 | 5.0 x 13.5 x 10.5 | 0.43 | 15... (1000) | 16... (1000) | 11... (1000) | 12... (1000) | 13... (1000) | 17... (1000) | 334 394 |
| 0.47 | 5.5 x 14.0 x 10.5 | 0.53 | 15... (1000) | 16... (1000) | 11... (1000) | 12... (1000) | 13... (1000) | 17... (1000) | 474 |
| 0.56 0.68 0.82 1.0 | 5.5 x 14.5 x 10.5 | 0.54 | 15... (1000) | 16... (1000) | 11... (1000) | 12... (1000) | 13... (1000) | 17... (1000) | 564 684 824 105 |

Notes

- ⁽¹⁾ Net weight for short lead products only
- SPQ = Standard Packing Quantity

$U_{RDC} = 100 \text{ V}$; $U_{RAC} = 63 \text{ V}$

| C (μF) | DIMENSIONS $w_{\text{max.}} \times h_{\text{max.}} \times l_{\text{max.}}$ (mm) | MASS (g) ⁽¹⁾ | CATALOG NUMBER BFC2 366 XXYYY AND PACKAGING | | | | | | C-VALUE ..YYY |
|--|---|----------------------------|--|------------------------|--|------------------------|-------------------------|------------------------|---------------------------------|
| | | | LOOSE IN BOX | | | | AMMOPACK | | |
| | | | $l_t = 4.0 \text{ mm} + 1.0 \text{ mm} / - 0.5 \text{ mm}$ | | $l_t = 17.0 \text{ mm} \pm 4.0 \text{ mm}$ | | $H = 16.0 \text{ mm}$ | | |
| | | | C-tol. = $\pm 10 \%$ | C-tol. = $\pm 5 \%$ | C-tol. = $\pm 10 \%$ | C-tol. = $\pm 5 \%$ | C-tol. = $\pm 10 \%$ | C-tol. = $\pm 5 \%$ | |
| | | | XX (SPQ) | XX (SPQ) | XX (SPQ) | XX (SPQ) | XX (SPQ) | XX (SPQ) | |
| Pitch = 7.5 mm + 0.4 mm / - 0.2 mm; $d_t = 0.60 \pm 0.06 \text{ mm}$ | | | | | | | | | |
| 0.039 0.047 0.056 0.068 0.082 | 4.0 x 12.0 x 10.0 | 0.30 | 25... (1000) | 26... (1000) | 21... (1000) | 22... (1000) | 23... (1500) | 27... (1500) | 393 473 563 683 823 |
| 0.1 | 4.0 x 13.0 x 10.0 | 0.26 | 25... (1000) | 26... (1000) | 21... (1000) | 22... (1000) | 23... (1500) | 27... (1500) | 104 |
| 0.12 | 4.5 x 13.0 x 10.5 | 0.38 | 25... (1000) | 26... (1000) | 21... (1000) | 22... (1000) | 23... (1250) | 27... (1250) | 124 |
| 0.15 | 5.0 x 13.0 x 15.0 | 0.40 | 25... (1000) | 26... (1000) | 21... (1000) | 22... (1000) | 23... (1000) | 27... (1000) | 154 |
| 0.18 | 5.0 x 13.5 x 10.5 | 0.43 | 25... (1000) | 26... (1000) | 21... (1000) | 22... (1000) | 23... (1000) | 27... (1000) | 184 |
| 0.22 | 5.5 x 13.5 x 10.5 | 0.50 | 25... (1000) | 26... (1000) | 21... (1000) | 22... (1000) | 23... (1000) | 27... (1000) | 224 |
| 0.27 | 6.0 x 14.5 x 10.5 | 0.55 | 25... (1000) | 26... (1000) | 21... (1000) | 22... (1000) | 23... (1000) | 27... (1000) | 274 |
| 0.33 0.39 0.47 | 6.0 x 15.0 x 10.5 | 0.58 | 25... (1000) | 26... (1000) | 21... (1000) | 22... (1000) | 23... (1000) | 27... (1000) | 334 394 474 |

Notes

- ⁽¹⁾ Net weight for short lead products only
- SPQ = Standard Packing Quantity



MKT365, MKT366, MKT367

DC Film Capacitors
MKT Radial Lacquered Type

Vishay BCcomponents

$U_{RDC} = 250\text{ V}$; $U_{RAC} = 160\text{ V}$

| C (μF) | DIMENSIONS $w_{\text{max.}} \times h_{\text{max.}} \times l_{\text{max.}}$ (mm) | MASS (g) ⁽¹⁾ | CATALOG NUMBER BFC2 366 XXYYY AND PACKAGING | | | | | | C-VALUE ..YYY |
|---|---|----------------------------|---|-----------------------|--|-----------------------|------------------------|-----------------------|--|
| | | | LOOSE IN BOX | | | | AMMOPACK | | |
| | | | $l_t = 4.0\text{ mm} + 1.0\text{ mm}/- 0.5\text{ mm}$ | | $l_t = 17.0\text{ mm} \pm 4.0\text{ mm}$ | | H = 16.0 mm | | |
| | | | C-tol. = $\pm 10\%$ | C-tol. = $\pm 5\%$ | C-tol. = $\pm 10\%$ | C-tol. = $\pm 5\%$ | C-tol. = $\pm 10\%$ | C-tol. = $\pm 5\%$ | |
| | | | XX (SPQ) | XX (SPQ) | XX (SPQ) | XX (SPQ) | XX (SPQ) | XX (SPQ) | |
| Pitch = 7.5 mm + 0.4 mm/- 0.2 mm; $d_t = 0.60 \pm 0.06\text{ mm}$ | | | | | | | | | |
| 0.018 0.022 0.027 0.033 0.039 0.047 | 4.0 x 13.0 x 10.0 | 0.26 | 45... (1000) | 46... (1000) | 41... (1000) | 42... (1000) | 43... (1500) | 47... (1500) | 183 223 273 333 393 473 |
| 0.056 | 4.0 x 14.0 x 10.0 | 0.35 | 45... (1000) | 46... (1000) | 41... (1000) | 42... (1000) | 43... (1500) | 47... (1500) | 563 |
| 0.068 | 4.5 x 14.0 x 10.0 | 0.39 | 45... (1000) | 46... (1000) | 41... (1000) | 42... (1000) | 43... (1250) | 47... (1250) | 683 |
| 0.082 | 4.5 x 13.0 x 10.0 | 0.38 | 45... (1000) | 46... (1000) | 41... (1000) | 42... (1000) | 43... (1250) | 47... (1250) | 823 |
| 0.1 | 5.0 x 13.5 x 10.0 | 0.40 | 45... (1000) | 46... (1000) | 41... (1000) | 42... (1000) | 43... (1000) | 47... (1000) | 104 |
| 0.12 | 5.5 x 14.0 x 10.0 | 0.50 | 45... (1000) | 46... (1000) | 41... (1000) | 42... (1000) | 43... (1000) | 47... (1000) | 124 |
| 0.15 | 5.5 x 15.5 x 10.0 | 0.58 | 45... (1000) | 46... (1000) | 41... (1000) | 42... (1000) | 43... (1000) | 47... (1000) | 154 |

Notes

⁽¹⁾ Net weight for short lead products only

- SPQ = Standard Packing Quantity

$U_{RDC} = 400\text{ V}$; $U_{RAC} = 220\text{ V}$

| C (μF) | DIMENSIONS $w_{\text{max.}} \times h_{\text{max.}} \times l_{\text{max.}}$ (mm) | MASS (g) ⁽¹⁾ | CATALOG NUMBER BFC2 366 XXYYY AND PACKAGING | | | | | | C-VALUE ..YYY |
|---|---|----------------------------|---|-----------------------|--|-----------------------|------------------------|-----------------------|--|
| | | | LOOSE IN BOX | | | | AMMOPACK | | |
| | | | $l_t = 4.0\text{ mm} + 1.0\text{ mm}/- 0.5\text{ mm}$ | | $l_t = 17.0\text{ mm} \pm 4.0\text{ mm}$ | | H = 16.0 mm | | |
| | | | C-tol. = $\pm 10\%$ | C-tol. = $\pm 5\%$ | C-tol. = $\pm 10\%$ | C-tol. = $\pm 5\%$ | C-tol. = $\pm 10\%$ | C-tol. = $\pm 5\%$ | |
| | | | XX (SPQ) | XX (SPQ) | XX (SPQ) | XX (SPQ) | XX (SPQ) | XX (SPQ) | |
| Pitch = 7.5 mm + 0.4 mm/- 0.2 mm; $d_t = 0.60 \pm 0.06\text{ mm}$ | | | | | | | | | |
| 0.0033 0.0039 0.0047 | 4.0 x 12.0 x 10.0 | 0.30 | 55... (1000) | 56... (1000) | 51... (1000) | 52... (1000) | 53... (1500) | 57... (1500) | 332 392 472 |
| 0.0056 0.0068 0.0082 0.01 0.012 0.015 | 4.0 x 13.0 x 10.0 | 0.26 | 55... (1000) | 56... (1000) | 51... (1000) | 52... (1000) | 53... (1500) | 57... (1500) | 562 682 822 103 123 153 |
| 0.018 | 4.0 x 13.5 x 10.0 | 0.35 | 55... (1000) | 56... (1000) | 51... (1000) | 52... (1000) | 53... (1250) | 57... (1250) | 183 |
| 0.022 | 5.0 x 14.0 x 10.0 | 0.45 | 55... (1000) | 56... (1000) | 51... (1000) | 52... (1000) | 53... (1000) | 57... (1000) | 223 |
| 0.027 | 4.0 x 12.5 x 10.0 | 0.35 | 55... (1000) | 56... (1000) | 51... (1000) | 52... (1000) | 53... (1500) | 57... (1500) | 273 |
| 0.033 | 4.5 x 13.0 x 10.0 | 0.38 | 55... (1000) | 56... (1000) | 51... (1000) | 52... (1000) | 53... (1250) | 57... (1250) | 333 |
| 0.039 0.047 | 5.0 x 13.5 x 10.0 | 0.40 | 55... (1000) | 56... (1000) | 51... (1000) | 52... (1000) | 53... (1000) | 57... (1000) | 393 473 |
| 0.056 | 5.5 x 14.0 x 10.0 | 0.50 | 55... (1000) | 56... (1000) | 51... (1000) | 52... (1000) | 53... (1000) | 57... (1000) | 563 |

Notes

⁽¹⁾ Net weight for short lead products only

- SPQ = Standard Packing Quantity

COMPOSITION OF CATALOG NUMBER: 367



| TYPE | PACKAGING | LEAD CONFIGURATION | PREFERRED TYPES | | | | |
|-----------------------|-------------------------|--|-----------------|------|-------|-------|-------|
| | | | C-TOL. | 63 V | 100 V | 250 V | 400 V |
| Pitch = 7.5 mm | | | | | | | |
| 367 | Loose in box | Straight; Lead length 4.0 + 1.0/- 0.5 mm | ± 10 % | 15 | 25 | 45 | 55 |
| | | | ± 5 % | 16 | 26 | 46 | 56 |
| | | Straight; Lead length 22.0 ± 4.0 mm | ± 10 % | 11 | 21 | 41 | 51 |
| | | | ± 5 % | 12 | 22 | 42 | 52 |
| | Ammopack ⁽¹⁾ | Straight; H = 18.5 mm; P ₀ = 12.7 mm | ± 10 % | 13 | 23 | 43 | 53 |
| | | | ± 5 % | 17 | 27 | 47 | 57 |

Note

⁽¹⁾ For detailed tape specifications refer to packaging information: www.vishay.com/doc?28139

SPECIFIC REFERENCE DATA: 367

| DESCRIPTION | VALUE | | | |
|--|-------------------------|--------------------------|--------------------------|---------------------|
| Tangent of loss angle: C ≤ 0.47 μF C > 0.47 μF | at 1 kHz | at 10 kHz | at 100 kHz | |
| | ≤ 75 × 10 ⁻⁴ | ≤ 130 × 10 ⁻⁴ | ≤ 225 × 10 ⁻⁴ | |
| | ≤ 75 × 10 ⁻⁴ | ≤ 130 × 10 ⁻⁴ | - | |
| Rated voltage pulse slope (dU/dt) _R at | 63 V _{DC} | 100 V _{DC} | 250 V _{DC} | 400 V _{DC} |
| | 110 V/μs | 110 V/μs | 130 V/μs | 170 V/μs |
| R between leads, for C ≤ 0.33 μF at 10 V; 1 min at 100 V; 1 min | > 15 000 MΩ | > 15 000 MΩ | > 30 000 MΩ | > 30 000 MΩ |
| RC between leads, for C > 0.33 μF at 10 V; 1 min | > 5000 s | | - | |
| R between interconnecting leads and casing, 100 V; 1 min | > 30 000 MΩ | | | |
| Withstanding (DC) voltage (cut off current 10 mA) ⁽¹⁾ ; rise time ≤ 1000 V/s | 100 V; 1 min | 160 V; 1 min | 400 V; 1 min | 640 V; 1 min |
| Maximum application temperature | 105 °C | | | |

Note

⁽¹⁾ See "Voltage Proof Test for Metallized Film Capacitors": www.vishay.com/doc?28169



MKT365, MKT366, MKT367

DC Film Capacitors
MKT Radial Lacquered Type

Vishay BCcomponents

$U_{RDC} = 63\text{ V}$; $U_{RAC} = 40\text{ V}$

| C (μF) | DIMENSIONS $W_{\text{max.}} \times h_{\text{max.}} \times l_{\text{max.}}$ (mm) | MASS (g) ⁽¹⁾ | CATALOG NUMBER BFC2 367 XXYYY AND PACKAGING | | | | | | C-VALUE ..YYY |
|---|---|----------------------------|---|-----------------------|--|-----------------------|------------------------|-----------------------|--------------------------|
| | | | LOOSE IN BOX | | | | AMMOPACK | | |
| | | | $l_t = 4.0\text{ mm} + 1.0\text{ mm}/- 0.5\text{ mm}$ | | $l_t = 22.0\text{ mm} \pm 4.0\text{ mm}$ | | H = 18.5 mm | | |
| | | | C-tol. = $\pm 10\%$ | C-tol. = $\pm 5\%$ | C-tol. = $\pm 10\%$ | C-tol. = $\pm 5\%$ | C-tol. = $\pm 10\%$ | C-tol. = $\pm 5\%$ | |
| | | | XX (SPQ) | XX (SPQ) | XX (SPQ) | XX (SPQ) | XX (SPQ) | XX (SPQ) | |
| Pitch = 7.5 mm + 0.4 mm/- 0.2 mm; $d_t = 0.60 \pm 0.06\text{ mm}$ | | | | | | | | | |
| 0.12 0.15 0.18 0.22 | 4.0 x 9.5 x 10.0 | 0.23 | 15... (1000) | 16... (1000) | 11... (1000) | 12... (1000) | 13... (1500) | 17... (1500) | 124 154 184 224 |
| 0.27 | 4.5 x 10.0 x 10.5 | 0.37 | 15... (1000) | 16... (1000) | 11... (1000) | 12... (1000) | 13... (1000) | 17... (1000) | 274 |
| 0.33 0.39 | 5.0 x 10.5 x 10.5 | 0.39 | 15... (1000) | 16... (1000) | 11... (1000) | 12... (1000) | 13... (1000) | 17... (1000) | 334 394 |
| 0.47 | 5.5 x 11.0 x 10.5 | 0.44 | 15... (1000) | 16... (1000) | 11... (1000) | 12... (1000) | 13... (1000) | 17... (1000) | 474 |
| 0.56 0.68 0.82 1.0 | 5.5 x 12.0 x 10.5 | 0.46 | 15... (1000) | 16... (1000) | 11... (1000) | 12... (1000) | 13... (1000) | 17... (1000) | 564 684 824 105 |

Notes

- ⁽¹⁾ Net weight for short lead products only
- SPQ = Standard Packing Quantity

$U_{RDC} = 100\text{ V}$; $U_{RAC} = 63\text{ V}$

| C (μF) | DIMENSIONS $W_{\text{max.}} \times h_{\text{max.}} \times l_{\text{max.}}$ (mm) | MASS (g) ⁽¹⁾ | CATALOG NUMBER BFC2 367 XXYYY AND PACKAGING | | | | | | C-VALUE ..YYY |
|---|---|----------------------------|---|-----------------------|--|-----------------------|------------------------|-----------------------|--|
| | | | LOOSE IN BOX | | | | AMMOPACK | | |
| | | | $l_t = 4.0\text{ mm} + 1.0\text{ mm}/- 0.5\text{ mm}$ | | $l_t = 22.0\text{ mm} \pm 4.0\text{ mm}$ | | H = 18.5 mm | | |
| | | | C-tol. = $\pm 10\%$ | C-tol. = $\pm 5\%$ | C-tol. = $\pm 10\%$ | C-tol. = $\pm 5\%$ | C-tol. = $\pm 10\%$ | C-tol. = $\pm 5\%$ | |
| | | | XX (SPQ) | XX (SPQ) | XX (SPQ) | XX (SPQ) | XX (SPQ) | XX (SPQ) | |
| Pitch = 7.5 mm + 0.4 mm/- 0.2 mm; $d_t = 0.60 \pm 0.06\text{ mm}$ | | | | | | | | | |
| 0.039 0.047 0.056 0.068 0.082 0.1 | 4.0 x 9.5 x 10.0 | 0.23 | 25... (1000) | 26... (1000) | 21... (1000) | 22... (1000) | 23... (1500) | 27... (1500) | 393 473 563 683 823 104 |
| 0.12 | 4.5 x 10.0 x 10.5 | 0.37 | 25... (1000) | 26... (1000) | 21... (1000) | 22... (1000) | 23... (1000) | 27... (1000) | 124 |
| 0.15 0.18 | 5.0 x 10.5 x 10.5 | 0.39 | 25... (1000) | 26... (1000) | 21... (1000) | 22... (1000) | 23... (1000) | 27... (1000) | 154 184 |
| 0.22 | 5.5 x 11.5 x 10.5 | 0.44 | 25... (1000) | 26... (1000) | 21... (1000) | 22... (1000) | 23... (1000) | 27... (1000) | 224 |
| 0.27 0.33 0.39 0.47 | 6.0 x 12.5 x 10.5 | 0.55 | 25... (1000) | 26... (1000) | 21... (1000) | 22... (1000) | 23... (1000) | 27... (1000) | 274 334 394 474 |

Notes

- ⁽¹⁾ Net weight for short lead products only
- SPQ = Standard Packing Quantity

MKT365, MKT366, MKT367



Vishay BCcomponents

DC Film Capacitors
MKT Radial Lacquered Type

$U_{RDC} = 250 \text{ V}$; $U_{RAC} = 160 \text{ V}$

| C (μF) | DIMENSIONS $w_{\text{max.}} \times h_{\text{max.}} \times l_{\text{max.}}$ (mm) | MASS (g) ⁽¹⁾ | CATALOG NUMBER BFC2 367 XXYYY AND PACKAGING | | | | | | C-VALUE ..YYY |
|--|---|----------------------------|--|------------------------|--|------------------------|-------------------------|------------------------|---|
| | | | LOOSE IN BOX | | | | AMMOPACK | | |
| | | | $l_t = 4.0 \text{ mm} + 1.0 \text{ mm}/- 0.5 \text{ mm}$ | | $l_t = 22.0 \text{ mm} \pm 4.0 \text{ mm}$ | | $H = 18.5 \text{ mm}$ | | |
| | | | C-tol. = $\pm 10 \%$ | C-tol. = $\pm 5 \%$ | C-tol. = $\pm 10 \%$ | C-tol. = $\pm 5 \%$ | C-tol. = $\pm 10 \%$ | C-tol. = $\pm 5 \%$ | |
| | | | XX (SPQ) | XX (SPQ) | XX (SPQ) | XX (SPQ) | XX (SPQ) | XX (SPQ) | |
| Pitch = 7.5 mm + 0.4 mm/- 0.2 mm; $d_t = 0.60 \pm 0.06 \text{ mm}$ | | | | | | | | | |
| 0.018 0.022 0.027 0.033 0.039 0.047 0.056 | 4.0 x 9.5 x 10.0 | 0.23 | 45... (1000) | 46... (1000) | 41... (1000) | 42... (1000) | 43... (1500) | 47... (1500) | 183 223 273 333 393 473 563 |
| 0.068 0.082 | 4.5 x 10.0 x 10.0 | 0.37 | 45... (1000) | 46... (1000) | 41... (1000) | 42... (1000) | 43... (1000) | 47... (1000) | 683 823 |
| 0.1 | 5.0 x 10.5 x 10.0 | 0.39 | 45... (1000) | 46... (1000) | 41... (1000) | 42... (1000) | 43... (1000) | 47... (1000) | 104 |
| 0.12 | 5.5 x 11.0 x 10.0 | 0.42 | 45... (1000) | 46... (1000) | 41... (1000) | 42... (1000) | 43... (1000) | 47... (1000) | 124 |
| 0.15 | 5.5 x 12.5 x 10.0 | 0.48 | 45... (1000) | 46... (1000) | 41... (1000) | 42... (1000) | 43... (1000) | 47... (1000) | 154 |

Notes

- ⁽¹⁾ Net weight for short lead products only
- SPQ = Standard Packing Quantity

$U_{RDC} = 400 \text{ V}$; $U_{RAC} = 220 \text{ V}$

| C (μF) | DIMENSIONS $w_{\text{max.}} \times h_{\text{max.}} \times l_{\text{max.}}$ (mm) | MASS (g) ⁽¹⁾ | CATALOG NUMBER BFC2 367 XXYYY AND PACKAGING | | | | | | C-VALUE ..YYY |
|--|---|----------------------------|--|------------------------|---------------------------------|------------------------|-------------------------|------------------------|---|
| | | | LOOSE IN BOX | | | | AMMOPACK | | |
| | | | $l_t = 4.0 \text{ mm} + 1.0 \text{ mm}/- 0.5 \text{ mm}$ | | $l_t = 22.0 \pm 4.0 \text{ mm}$ | | $H = 18.5 \text{ mm}$ | | |
| | | | C-tol. = $\pm 10 \%$ | C-tol. = $\pm 5 \%$ | C-tol. = $\pm 10 \%$ | C-tol. = $\pm 5 \%$ | C-tol. = $\pm 10 \%$ | C-tol. = $\pm 5 \%$ | |
| | | | XX (SPQ) | XX (SPQ) | XX (SPQ) | XX (SPQ) | XX (SPQ) | XX (SPQ) | |
| Pitch = 7.5 mm + 0.4 mm/- 0.2 mm; $d_t = 0.60 \pm 0.06 \text{ mm}$ | | | | | | | | | |
| 0.0033 0.0039 0.0047 0.0056 0.0068 0.0082 0.01 0.012 0.015 | 4.0 x 9.5 x 10.0 | 0.23 | 55... (1000) | 56... (1000) | 51... (1000) | 52... (1000) | 53... (1500) | 57... (1500) | 332 392 472 562 682 822 103 123 153 |
| 0.018 | 4.5 x 10.0 x 10.0 | 0.37 | 55... (1000) | 56... (1000) | 51... (1000) | 52... (1000) | 53... (1000) | 57... (1000) | 183 |
| 0.022 | 5.0 x 10.5 x 10.0 | 0.39 | 55... (1000) | 56... (1000) | 51... (1000) | 52... (1000) | 53... (1000) | 57... (1000) | 223 |
| 0.027 | 4.0 x 9.5 x 10.0 | 0.23 | 55... (1000) | 56... (1000) | 51... (1000) | 52... (1000) | 53... (1500) | 57... (1500) | 273 |
| 0.033 | 4.5 x 10.0 x 10.0 | 0.37 | 55... (1000) | 56... (1000) | 51... (1000) | 52... (1000) | 53... (1000) | 57... (1000) | 333 |
| 0.039 0.047 | 5.0 x 10.5 x 10.0 | 0.39 | 55... (1000) | 56... (1000) | 51... (1000) | 52... (1000) | 53... (1000) | 57... (1000) | 393 473 |
| 0.056 | 5.5 x 11.0 x 10.0 | 0.42 | 55... (1000) | 56... (1000) | 51... (1000) | 52... (1000) | 53... (1000) | 57... (1000) | 563 |

Notes

- ⁽¹⁾ Net weight for short lead products only
- SPQ = Standard Packing Quantity



MOUNTING

Normal Use

The capacitors are designed for mounting on printed-circuit boards. The capacitors packed in bandoliers are designed for mounting in printed-circuit boards by means of automatic insertion machines.

For detailed tape specifications refer to packaging information: www.vishay.com/doc?28139

Specific Method of Mounting to Withstand Vibration and Shock

In order to withstand vibration and shock tests, it must be ensured that the underside and the kinks are in good contact with the printed-circuit board.

- For pitches ≤ 15 mm capacitors shall be mechanically fixed by the leads
- For larger pitches the capacitors shall be mounted in the same way and the body clamped

SOLDERING CONDITIONS

For general soldering conditions and wave soldering profile, we refer to the application note:

“Soldering Guidelines for Film Capacitors”: www.vishay.com/doc?28171

Storage Temperature

- Storage temperature: $T_{stg} = -25$ °C to $+40$ °C with RH maximum 80 % without condensation

Ratings and Characteristics Reference Conditions

Unless otherwise specified, all electrical values apply to an ambient free air temperature of 23 °C ± 1 °C, an atmospheric pressure of 86 kPa to 106 kPa and a relative humidity of 50 % ± 2 %.

For reference testing, a conditioning period shall be applied over 96 h ± 4 h by heating the products in a circulating air oven at the rated temperature and a relative humidity not exceeding 20 %.

CHARACTERISTICS

Capacitance as a function of frequency (typical curve)



Capacitance as a function of ambient temperature (typical curve)



Impedance as a function of frequency (typical curve)



Max. DC and AC voltage as a function of temperature



Max. RMS voltage as a function of frequency



Max. RMS voltage as a function of frequency





MKT365, MKT366, MKT367

DC Film Capacitors MKT Radial Lacquered Type

Vishay BCcomponents

Max. RMS voltage as a function of frequency



Max. RMS voltage as a function of frequency



Max. RMS voltage as a function of frequency



Max. RMS voltage as a function of frequency



Max. RMS voltage as a function of frequency



Max. RMS voltage as a function of frequency



MAXIMUM RMS CURRENT (SINEWAVE) AS A FUNCTION OF FREQUENCY

The maximum RMS current is defined by $I_{AC} = \omega \times C \times U_{AC}$

U_{AC} is the maximum AC voltage depending on the ambient temperature in the curves "Max. RMS voltage and AC current as a function of frequency".

Tangent of loss angle as a function of frequency



Insulation resistance as a function of the ambient temperature (typical curve)



Maximum allowed component temperature rise (ΔT) as a function of the ambient temperature (T_{amb})



HEAT CONDUCTIVITY (G) AS A FUNCTION OF (ORIGINAL) PITCH AND CAPACITOR BODY THICKNESS IN mW/°C

| $W_{MAX.}$ (mm) | HEAT CONDUCTIVITY (mW/°C) |
|--------------------|---------------------------|
| 3.5 | 3.0 |
| 4.0 | 3.5 |
| 4.5 | 3.5 |
| 5.0 | 4.0 |
| 5.5 | 4.0 |
| 6.0 | 4.5 |
| 6.5 | 5.0 |

POWER DISSIPATION AND MAXIMUM COMPONENT TEMPERATURE RISE

The power dissipation must be limited in order not to exceed the maximum allowed component temperature rise as a function of the free ambient temperature.

The power dissipation can be calculated according type detail specification "HQN-384-01/101: Technical Information Film Capacitors".

The component temperature rise (ΔT) can be measured (see section "Measuring the Component Temperature" for more details) or calculated by $\Delta T = P/G$:

- ΔT = Component temperature rise ($^{\circ}\text{C}$)
- P = Power dissipation of the component (mW)
- G = Heat conductivity of the component (mW/ $^{\circ}\text{C}$)

MEASURING THE COMPONENT TEMPERATURE

A thermocouple must be attached to the capacitor body as in:



The temperature is measured in unloaded (T_{amb}) and maximum loaded condition (T_C).

The temperature rise is given by $\Delta T = T_C - T_{\text{amb}}$.

To avoid radiation or convection, the capacitor should be tested in a wind-free box.

APPLICATION NOTE AND LIMITING CONDITIONS

These capacitors are not suitable for mains applications as across-the-line capacitors without additional protection, as described hereunder. These mains applications are strictly regulated in safety standards and therefore electromagnetic interference suppression capacitors conforming the standards must be used.

To select the capacitor for a certain application, the following conditions must be checked:

1. For capacitors connected in parallel, normally the proof voltage and possibly the rated voltage must be reduced. For information depending of the capacitance value and the number of parallel connections contact: dc-film@vishay.com
2. The peak voltage (U_P) shall not be greater than the rated DC voltage (U_{RDC})
3. The peak-to-peak voltage (U_{P-P}) shall not be greater than $2\sqrt{2} \times U_{RAC}$ to avoid the ionisation inception level
4. The voltage pulse slope (dU/dt) shall not exceed the rated voltage pulse slope in an RC-circuit at rated voltage and without ringing. If the pulse voltage is lower than the rated DC voltage, the rated voltage pulse slope may be multiplied by U_{RDC} and divided by the applied voltage.

For all other pulses following equation must be fulfilled:

$$2 \times \int_0^T \left(\frac{dU}{dt} \right)^2 \times dt < U_{Rdc} \times \left(\frac{dU}{dt} \right)_{\text{rated}}$$

T is the pulse duration.

The rated voltage pulse slope is valid for ambient temperatures up to 85 $^{\circ}\text{C}$. For higher temperatures a derating factor of 3 % per K shall be applied.

5. The maximum component surface temperature rise must be lower than the limits (see graph “Max. allowed component temperature rise”).
6. Since in circuits used at voltages over 280 V peak-to-peak the risk for an intrinsically active flammability after a capacitor breakdown (short circuit) increases, it is recommended that the power to the component is limited to 100 times the values mentioned in the table: “Heat Conductivity”
7. When using these capacitors as across-the-line capacitor in the input filter for mains applications or as series connected with an impedance to the mains the applicant must guarantee that the following conditions are fulfilled in any case (spikes and surge voltages from the mains included).

VOLTAGE CONDITIONS FOR 6 ABOVE

| ALLOWED VOLTAGES | $T_{amb} \leq 85\text{ }^{\circ}\text{C}$ | $85\text{ }^{\circ}\text{C} < T_{amb} \leq 105\text{ }^{\circ}\text{C}$ |
|--|---|---|
| Maximum continuous RMS voltage | U_{RAC} | $0.8 \times U_{RAC}$ |
| Maximum temperature RMS-overvoltage (< 24 h) | $1.25 \times U_{RAC}$ | U_{RAC} |
| Maximum peak voltage (V_{O-P}) (< 2 s) | $1.6 \times U_{RDC}$ | $1.3 \times U_{RDC}$ |

EXAMPLE

$C = 330\text{ nF} - 63\text{ V}$ used for the voltage signal shown in next drawing.

$U_{P-P} = 40\text{ V}$; $U_P = 35\text{ V}$; $T_1 = 100\text{ }\mu\text{s}$; $T_2 = 200\text{ }\mu\text{s}$

The ambient temperature is $35\text{ }^{\circ}\text{C}$

Checking conditions:

1. The peak voltage $U_P = 35\text{ V}$ is lower than 63 V_{DC}
2. The peak-to-peak voltage 40 V is lower than $2\sqrt{2} \times 40\text{ V}_{AC} = 113\text{ V}_{P-P}$
3. The voltage pulse slope $(dU/dt) = 40\text{ V}/100\text{ }\mu\text{s} = 0.4\text{ V}/\mu\text{s}$
This is lower than $110\text{ V}/\mu\text{s}$ (see specific reference data for each version)
4. The dissipated power is 16.2 mW as calculated with fourier terms
The temperature rise for $W_{max.} = 4.5\text{ mm}$ and pitch = 5 mm will be $16.2\text{ mW}/2.5\text{ mW}/^{\circ}\text{C} = 6.5\text{ }^{\circ}\text{C}$
This is lower than $15\text{ }^{\circ}\text{C}$ temperature rise at $35\text{ }^{\circ}\text{C}$, according figure “Max. allowed component temperature rise”
5. Not applicable
6. Not applicable

Voltage Signal





INSPECTION REQUIREMENTS

General Notes:

1. Sub-clause numbers of tests and performance requirements refer to the “Sectional Specification, Publication IEC 60384-2 and Specific Reference Data”.

Group C Inspection Requirements

| SUB-CLAUSE NUMBER AND TEST | CONDITIONS | PERFORMANCE REQUIREMENTS |
|---|---|---|
| SUB-GROUP C1A PART OF SAMPLE OF SUB-GROUP C1 | | |
| 4.1 Dimensions (detail) | | As specified in chapters “General Data” of this specification |
| 4.3.1 Initial measurements | Capacitance Tangent of loss angle: For C ≤ 470 nF at 100 kHz or for C > 470 nF at 10 kHz | |
| 4.3 Robustness of terminations | Tensile: Load 10 N; 10 s Bending: Load 5 N; 4 x 90° | No visible damage |
| 4.4 Resistance to soldering heat | Method: 1A Solder bath: 280 °C ± 5 °C Duration: 10 s | |
| 4.14 Component solvent resistance | Isopropylalcohol at room temperature Method: 2 Immersion time: 5 min ± 0.5 min Recovery time: Min. 1 h, max. 2 h | |
| 4.4.2 Final measurements | Visual examination Capacitance Tangent of loss angle | No visible damage Legible marking $ \Delta C/C \leq 2\%$ of the value measured initially Increase of tan δ ≤ 0.005 for: C ≤ 100 nF or ≤ 0.010 for: 100 nF < C ≤ 220 nF or ≤ 0.015 for: 220 nF < C ≤ 470 nF and ≤ 0.003 for: C > 470 nF Compared to values measured in 4.3.1 |
| SUB-GROUP C1B PART OF SAMPLE OF SUB-GROUP C1 | | |
| 4.6.1 Initial measurements | Capacitance Tangent of loss angle: For C ≤ 470 nF at 100 kHz or for C > 470 nF at 10 kHz | No visible damage |
| 4.6 Rapid change of temperature | θA = - 55 °C θB = + 105 °C 5 cycles Duration t = 30 min | |
| 4.7 Vibration | Visual examination Mounting: See section “Mounting” of this specification Procedure B4 Frequency range: 10 Hz to 55 Hz Amplitude: 0.75 mm or Acceleration 98 m/s ² (whichever is less severe) Total duration 6 h | No visible damage |
| 4.7.2 Final inspection | Visual examination | No visible damage |

| SUB-CLAUSE NUMBER AND TEST | CONDITIONS | PERFORMANCE REQUIREMENTS |
|---|--|---|
| <p>4.9 Shock</p> <p>4.9.3 Final measurements</p> | <p>Mounting: See section "Mounting" of this specification</p> <p>Pulse shape: Half sine</p> <p>Acceleration: 490 m/s²</p> <p>Duration of pulse: 11 ms</p> <p>Visual examination</p> <p>Capacitance</p> <p>Tangent of loss angle</p> <p>Insulation resistance</p> | <p>No visible damage</p> <p>$\Delta C/C \leq 3\%$ of the value measured in 4.6.1</p> <p>Increase of $\tan \delta$</p> <p>≤ 0.005 for: $C \leq 100$ nF or</p> <p>≤ 0.010 for: 100 nF $< C \leq 220$ nF or</p> <p>≤ 0.015 for: 220 nF $< C \leq 470$ nF and</p> <p>≤ 0.003 for: $C > 470$ nF</p> <p>Compared to values measured in 4.6.1</p> <p>As specified in section "Insulation Resistance" of this specification</p> |
| <p>SUB-GROUP C1 COMBINED SAMPLE OF SPECIMENS OF SUB-GROUPS C1A AND C1B</p> | | |
| <p>4.10 Climatic sequence</p> <p>4.10.2 Dry heat</p> <p>4.10.3 Damp heat cyclic Test Db, first cycle</p> <p>4.10.4 Cold</p> <p>4.10.6 Damp heat cyclic Test Db, remaining cycles</p> <p>4.10.6.2 Final measurements</p> | <p>Temperature: + 105 °C</p> <p>Duration: 16 h</p> <p>Temperature: - 55 °C</p> <p>Duration: 2 h</p> <p>Voltage proof = U_{RDC} for 1 min within 15 min after removal from test chamber</p> <p>Visual examination</p> <p>Capacitance</p> <p>Tangent of loss angle</p> <p>Insulation resistance</p> | <p>No breakdown of flash-over</p> <p>No visible damage</p> <p>Legible marking</p> <p>$\Delta C/C \leq 5\%$ of the value measured in 4.4.2 or 4.9.3</p> <p>Increase of $\tan \delta$</p> <p>≤ 0.007 for: $C \leq 100$ nF or</p> <p>≤ 0.010 for: 100 nF $< C \leq 220$ nF or</p> <p>≤ 0.015 for: 220 nF $< C \leq 470$ nF and</p> <p>≤ 0.005 for: $C > 470$ nF</p> <p>Compared to values measured in 4.3.1 or 4.6.1</p> <p>$\geq 50\%$ of values specified in section "Insulation Resistance" of this specification</p> |
| <p>SUB-GROUP C2</p> | | |
| <p>4.11 Damp heat steady state</p> <p>4.11.1 Initial measurements</p> <p>4.11.3 Final measurements</p> | <p>56 days, 40 °C, 90 % to 95 % RH</p> <p>Capacitance</p> <p>Tangent of loss angle at 1 kHz</p> <p>Voltage proof = U_{RDC} for 1 min within 15 min after removal from test chamber</p> <p>Visual examination</p> <p>Capacitance</p> <p>Tangent of loss angle</p> <p>Insulation resistance</p> | <p>No breakdown of flash-over</p> <p>No visible damage</p> <p>Legible marking</p> <p>$\Delta C/C \leq 5\%$ of the value measured in 4.11.1.</p> <p>Increase of $\tan \delta \leq 0.005$</p> <p>Compared to values measured in 4.11.1</p> <p>$\geq 50\%$ of values specified in section "Insulation Resistance" of this specification</p> |
| <p>SUB GROUP C3</p> | | |
| <p>4.12 Endurance</p> | <p>Duration: 2000 h</p> <p>1.25 x U_{RDC} at 85 °C</p> <p>1.0 x U_{RDC} at 105 °C</p> | |



| SUB-CLAUSE NUMBER AND TEST | CONDITIONS | PERFORMANCE REQUIREMENTS |
|---|--|--|
| 4.12.1 Initial measurements 4.12.5 Final measurements | Capacitance Tangent of loss angle: For C ≤ 470 nF at 100 kHz or for C > 470 nF at 10 kHz Visual examination Capacitance Tangent of loss angle Insulation resistance | No visible damage Legible marking $ \Delta C/C \leq 5\%$ compared to values measured in 4.12.1 Increase of $\tan \delta$ ≤ 0.005 for: C ≤ 100 nF or ≤ 0.010 for: 100 nF < C ≤ 220 nF or ≤ 0.015 for: 220 nF < C ≤ 470 nF and ≤ 0.003 for: C > 470 nF Compared to values measured in 4.12.1 ≥ 50 % of values specified in section "Insulation Resistance" of this specification |
| SUB-GROUP C4 | | |
| 4.13 Charge and discharge 4.13.1 Initial measurements 4.13.3 Final measurements | 10 000 cycles Charged to $U_R V_{DC}$ Discharge resistance: $R = \frac{U_R}{C \times 2.5 \times (dU/dt)_R}$ Capacitance Tangent of loss angle: For C ≤ 470 nF at 100 kHz or for C > 470 nF at 10 kHz Capacitance Tangent of loss angle Insulation resistance | $ \Delta C/C \leq 3\%$ compared to values measured in 4.13.1 Increase of $\tan \delta$ ≤ 0.005 for: C ≤ 100 nF or ≤ 0.010 for: 100 nF < C ≤ 220 nF or ≤ 0.015 for: 220 nF < C ≤ 470 nF and ≤ 0.003 for: C > 470 nF Compared to values measured in 4.13.1 ≥ 50 % of values specified in section "Insulation Resistance" of this specification |



Disclaimer

ALL PRODUCT, PRODUCT SPECIFICATIONS AND DATA ARE SUBJECT TO CHANGE WITHOUT NOTICE TO IMPROVE RELIABILITY, FUNCTION OR DESIGN OR OTHERWISE.

Vishay Intertechnology, Inc., its affiliates, agents, and employees, and all persons acting on its or their behalf (collectively, "Vishay"), disclaim any and all liability for any errors, inaccuracies or incompleteness contained in any datasheet or in any other disclosure relating to any product.

Vishay makes no warranty, representation or guarantee regarding the suitability of the products for any particular purpose or the continuing production of any product. To the maximum extent permitted by applicable law, Vishay disclaims (i) any and all liability arising out of the application or use of any product, (ii) any and all liability, including without limitation special, consequential or incidental damages, and (iii) any and all implied warranties, including warranties of fitness for particular purpose, non-infringement and merchantability.

Statements regarding the suitability of products for certain types of applications are based on Vishay's knowledge of typical requirements that are often placed on Vishay products in generic applications. Such statements are not binding statements about the suitability of products for a particular application. It is the customer's responsibility to validate that a particular product with the properties described in the product specification is suitable for use in a particular application. Parameters provided in datasheets and/or specifications may vary in different applications and performance may vary over time. All operating parameters, including typical parameters, must be validated for each customer application by the customer's technical experts. Product specifications do not expand or otherwise modify Vishay's terms and conditions of purchase, including but not limited to the warranty expressed therein.

Except as expressly indicated in writing, Vishay products are not designed for use in medical, life-saving, or life-sustaining applications or for any other application in which the failure of the Vishay product could result in personal injury or death. Customers using or selling Vishay products not expressly indicated for use in such applications do so at their own risk. Please contact authorized Vishay personnel to obtain written terms and conditions regarding products designed for such applications.

No license, express or implied, by estoppel or otherwise, to any intellectual property rights is granted by this document or by any conduct of Vishay. Product names and markings noted herein may be trademarks of their respective owners.

Material Category Policy

Vishay Intertechnology, Inc. hereby certifies that all its products that are identified as RoHS-Compliant fulfill the definitions and restrictions defined under Directive 2011/65/EU of The European Parliament and of the Council of June 8, 2011 on the restriction of the use of certain hazardous substances in electrical and electronic equipment (EEE) - recast, unless otherwise specified as non-compliant.

Please note that some Vishay documentation may still make reference to RoHS Directive 2002/95/EC. We confirm that all the products identified as being compliant to Directive 2002/95/EC conform to Directive 2011/65/EU.

Vishay Intertechnology, Inc. hereby certifies that all its products that are identified as Halogen-Free follow Halogen-Free requirements as per JEDEC JS709A standards. Please note that some Vishay documentation may still make reference to the IEC 61249-2-21 definition. We confirm that all the products identified as being compliant to IEC 61249-2-21 conform to JEDEC JS709A standards.



Компания «ЭлектроПласт» предлагает заключение долгосрочных отношений при поставках импортных электронных компонентов на взаимовыгодных условиях!

Наши преимущества:

- Оперативные поставки широкого спектра электронных компонентов отечественного и импортного производства напрямую от производителей и с крупнейших мировых складов;
- Поставка более 17-ти миллионов наименований электронных компонентов;
- Поставка сложных, дефицитных, либо снятых с производства позиций;
- Оперативные сроки поставки под заказ (от 5 рабочих дней);
- Экспресс доставка в любую точку России;
- Техническая поддержка проекта, помощь в подборе аналогов, поставка прототипов;
- Система менеджмента качества сертифицирована по Международному стандарту ISO 9001;
- Лицензия ФСБ на осуществление работ с использованием сведений, составляющих государственную тайну;
- Поставка специализированных компонентов (Xilinx, Altera, Analog Devices, Intersil, Interpoint, Microsemi, Aeroflex, Peregrine, Syfer, Eurofarad, Texas Instrument, Miteq, Cobham, E2V, MA-COM, Hittite, Mini-Circuits, General Dynamics и др.);

Помимо этого, одним из направлений компании «ЭлектроПласт» является направление «Источники питания». Мы предлагаем Вам помощь Конструкторского отдела:

- Подбор оптимального решения, техническое обоснование при выборе компонента;
- Подбор аналогов;
- Консультации по применению компонента;
- Поставка образцов и прототипов;
- Техническая поддержка проекта;
- Защита от снятия компонента с производства.



Как с нами связаться

Телефон: 8 (812) 309 58 32 (многоканальный)

Факс: 8 (812) 320-02-42

Электронная почта: org@eplast1.ru

Адрес: 198099, г. Санкт-Петербург, ул. Калинина, дом 2, корпус 4, литера А.