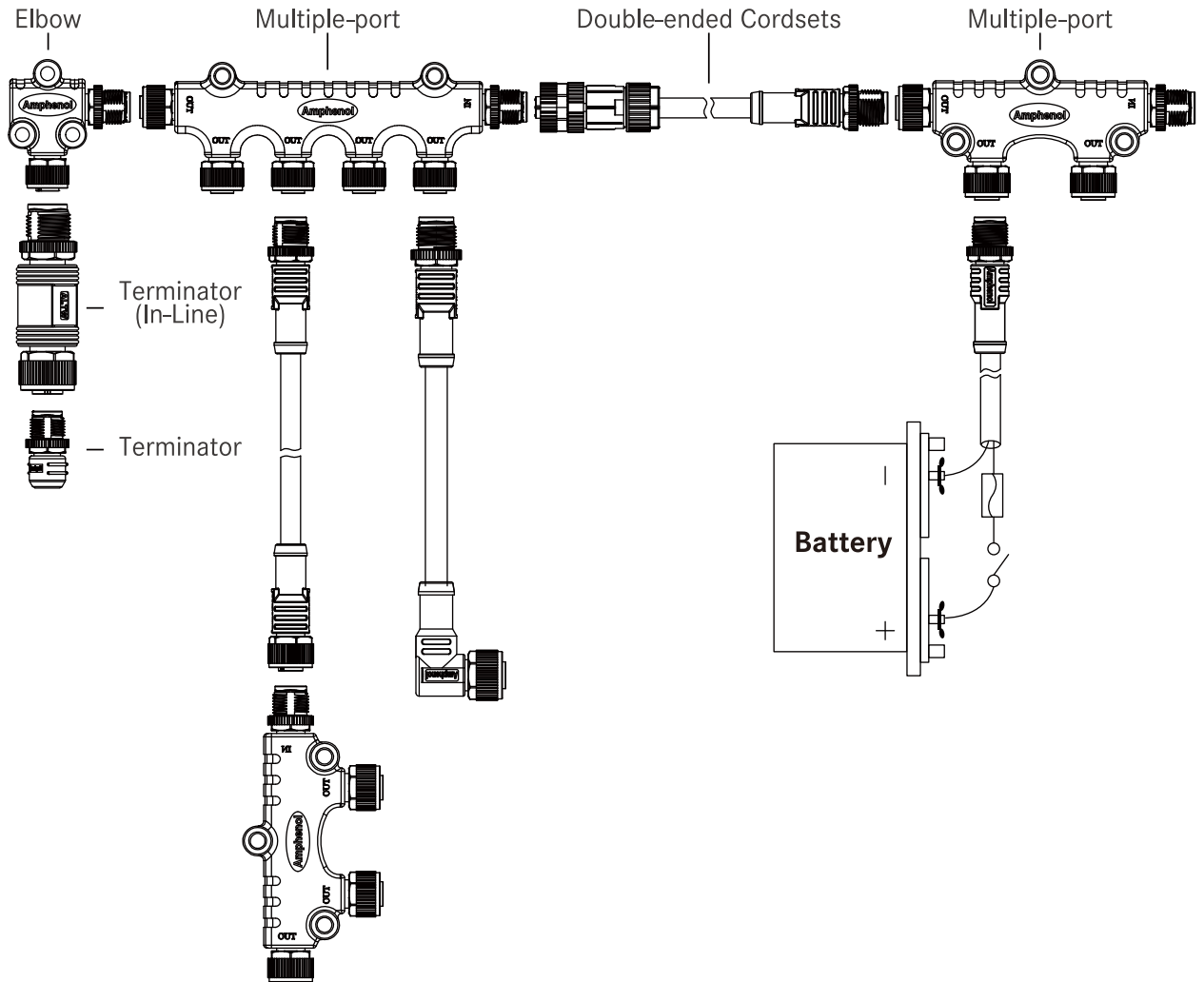




CATALOGUE

NMEA 2000 Connector

Range Overview

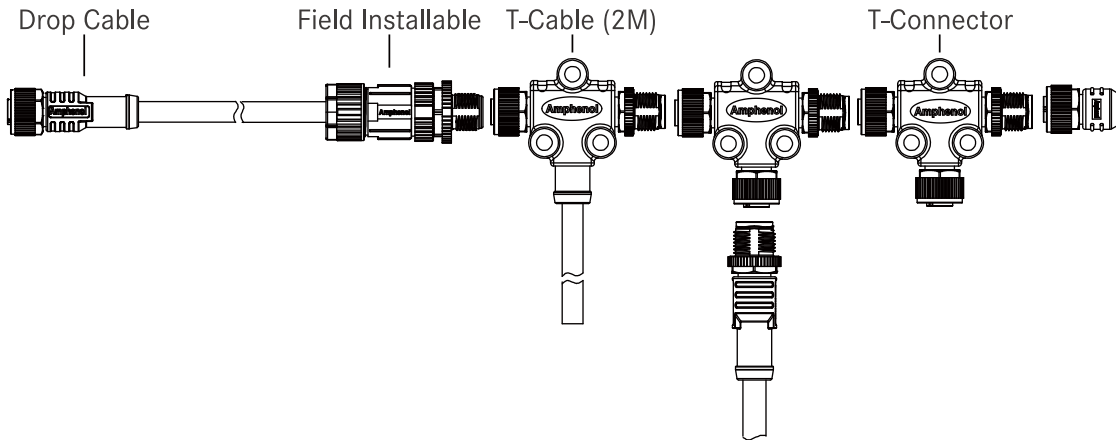


About NMEA 2000

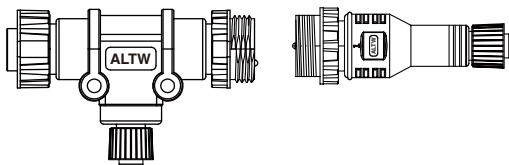
Amphenol LTW Technology expands its coverage targeting the marine industry that features the NMEA 2000 standard.

The NMEA 2000 standard contains the requirements of a serial data communications network to inter-connect marine electronic equipment on

vessels. It is multi-master and self-configuring, and there is no central network controller. Equipment designed to this standard will have the ability to share data, including commands and status with other compatible equipment over a status with other compatible equipment over a single channel.



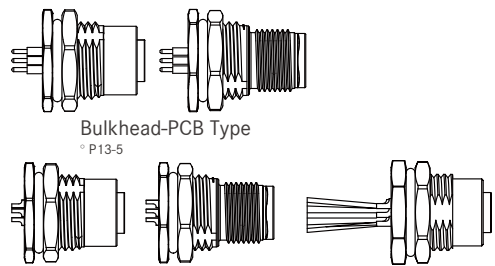
> Items (Mini to Micro)



T-Adaptor
° P13-17

I-Adaptor
° P13-17

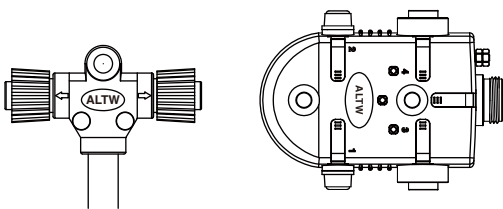
> Items for devices



Bulkhead-PCB Type
° P13-5

Bulkhead-Solder Type
° P13-6

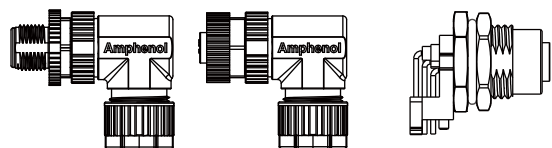
> Items for power source



<Micro>
T-cable
° P13-11

<Mini>
Power Tap Tee
° P13-20

> More Selection



Field Installable
° P13-9

Bulkhead
(Right Angle)
° P13-7

[Note] Design and specification are subject to change without notice.

Specification

Identifications	Micro (AWG: 22 AWG, 24 AWG) Mini (AWG: 18 AWG, 15AWG)
Description	<p>Micro: Bulkhead (With Wire / Double-ended / Right Angle) Cable (Drop Line / Double-ended Cordset / T-Cable) Field Installable Network Terminator (Single-ended / In-line) Adaptor (T-Adaptor / Elbow) Multi-port Waterproof Cap</p> <p>Mini: Bulkhead (Double-ended) Cable (Drop Line / Double-ended Cordset / T-Cable) Field Installable Network Terminator (Single-ended) Adaptor (T-Adaptor / Elbow) Power Tap Tee Waterproof Cap</p> <p>Mini to Micro: Adaptor (T-Adaptor / I-Adaptor)</p>
Current Rating / Data	Micro: 4A Mini: 8A
Material	Contacts: Copper Alloy, Gold Plated Contacts Holder: PA
Waterproof Rating	IP67~68
Temperature Range	<p>Receptacle: -40°C ~ 85°C Overmolded with Cable: -20°C ~ 80°C Field Installable: Nylon+GF: -40°C ~ 105°C PU: -20°C ~ 85°C</p> <p>* Higer working temperature upon request.</p>

Contact Configuration

	Micro-C	Mini-C
	4A	8A
	FF or MM	FF or MM
4Pin		
5Pin		

4A
 8A

Number of Contacts:
e.g. 2 contacts (02)

Connector (Housing) Gender:
Male(M) or Female(F)

Contact Gender:
Male(M) or Female(F)

More to Choose:

- Solder (S)
- Solder Cup

- Screw In (B)

Cabling Information

Micro

NMEA Approved

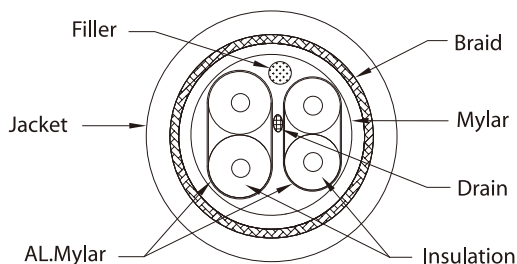
(A): (24#* 1P+AL) + (22#* 1P+AL) + Drain + Mylar + Braid

(B): (16#* 1P+AL) + (20# * 1P+AL) +D +AL +Braid

Conforming

(A): (24#* 1P+AL) + (22#* 1P+AL) + Drain + AL + Braid

(B): (22#* 1P+AL) + (18#* 1P+AL) + Drain + AL + Braid



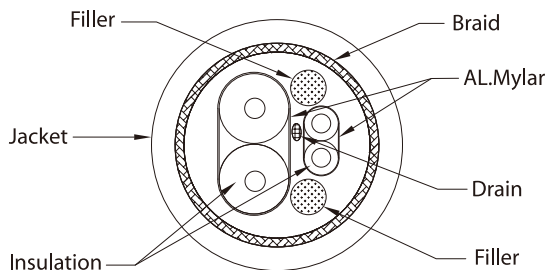
Mini

NMEA Approved

(C): (18#* 1P+AL) + (15#* 1P+AL) + Drain + Braid

Conforming

(C): (18#* 1P+AL) + (16#* 1P+AL) + Drain + AL+Braid



[Note] Design and specification are subject to change without notice.

Find Our Standard Products

Micro > Bulkhead (Double-ended)

<ul style="list-style-type: none"> • 5 Contacts • Screw Thread • Unmated IP68 		<p>18 (Hexagon) For Panel thickness Max 8.5mm</p> <p>Unit: mm</p>	
Type	Connector	Part Number (Female Connector / Female Contacts)	
Certified NMEA 2000 (4A, 60V)		UMC-000505-0FM-BS001	
None-Certified NMEA 2000 (4A, 60V)		MC-000505-0FM-BS001	

Micro > Bulkhead (Straight) > PCB Type

<ul style="list-style-type: none"> • 5 Contacts • Screw Thread • For Device Side • PCB Pin (180°) • Unmated IP68 		<p>Metal</p> <p>Maximum Panel Thickness: 4.5mm</p> <p>OD: 15.4</p> <p>13.6</p>	<p>Metal</p> <p>Maximum Panel Thickness: 4.5mm</p> <p>OD: 15.4</p> <p>13.6</p>
		<p>Plastic</p> <p>Maximum Panel Thickness: 4.5mm</p> <p>OD: 15.4</p> <p>13.6</p>	<p>Plastic</p> <p>Maximum Panel Thickness: 4.5mm</p> <p>OD: 15.4</p> <p>13.6</p>
Type	Connector	Part Number (Male Connector / Male Contacts)	Part Number (Female Connector / Female Contacts)
Certified NMEA 2000 (4A, 60V)	Metal	HMC-05PMMP-SF8001	HMC-05PFFP-SF8001
	Plastic	HPC-05PMMP-SF8001	HPC-05PFFP-SF8001

Micro > Bulkhead (Straight) > Solder Type

<ul style="list-style-type: none"> • 5 Contacts • Screw Thread • For Device Side • Solder Pin (180°) • Unmated IP68 		<p>Certified</p> <p>Metal</p> <p>Maximum Panel Thickness: 4.5mm</p> <p>OD: 15.4</p> <p>13.6</p> <p>Plastic</p> <p>OD: 15.4</p> <p>13.6</p>		<p>Certified</p> <p>Metal</p> <p>Maximum Panel Thickness: 4.5mm</p> <p>OD: 15.4</p> <p>13.6</p> <p>Plastic</p> <p>OD: 15.4</p> <p>13.6</p>	
		<p>None-Certified</p> <p>Male: 25.9 Female: 22.9</p> <p>Male: 20.5 Female: 20.0</p> <p>OD: 15.4</p> <p>13.6</p> <p>18 (Hexagon)</p>		<p>None-Certified</p> <p>Male: 24.5 Female: 28.0</p> <p>Male: 22.0 Female: 22.6</p> <p>OD: 15.4</p> <p>13.6</p> <p>18 (Hexagon)</p>	
				Unit: mm	
Type	Connector	Part Number (Male Connector / Male Contacts)	Part Number (Female Connector / Female Contacts)		
Certified NMEA 2000 (4A, 60V)	Metal	HMC-05PMMS-SF8001	HMC-05PFFS-SF8001		
	Plastic	HPC-05PMMS-SF8001	HPC-05PFFS-SF8001		
None-Certified NMEA 2000 (4A, 60V)	Metal	MC-05PMMS-S 8 8001	MC-05PFFS-S 8 8001		

8 Front Fastened (F) or Rear Fastened (H)

[Note] Design and specification are subject to change without notice.

Micro > Bulkhead (Right Angle)

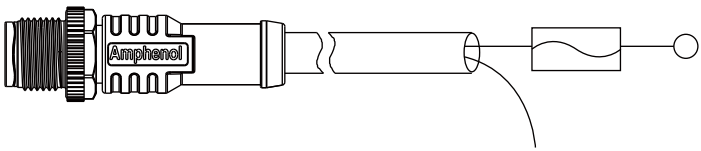
<ul style="list-style-type: none"> • 5 Contacts • Screw Thread • For device side • Unmated IP68 / Mated IP67 		<p>* IP 68 (Unmated)</p> <p>Male (29.5) Female (29.0) Male (20.5) Female (20.0)</p>	<p>* IP 67 (Mated)</p> <p>Male (24.8) Female (25.5) Male (16.2) Female (16.9)</p> <p>Unit: mm</p>
Type	Connector	Part Number (Male Connector / Male Contacts)	Part Number (Female Connector / Female Contacts)
None - Certified NMEA 2000 (4A, 60V)	Metal	12-05PMMR-SF7001	12-05PMMR-SF7001
	Plastic	12P-05PMMR-SF8001	12P-05PMMR-SF8001

Micro > Cable > Drop Line

<ul style="list-style-type: none"> • 5 Contacts • Screw Thread • For Power Tap Connection • Mated IP68 • Current Rating <ul style="list-style-type: none"> - Connector: 4A - Cable: 3A 			<p>Unit: mm</p>
Type	Connector	Part Number (Male Connector / Male Contacts)	Part Number (Female Connector / Female Contacts)
Certified NMEA 2000 (3A, 60V)	Metal	HMC-05BMMM-SL8A <u>XX</u> *	HMC-05BFFM-SL8A <u>XX</u> *
	Plastic	UMC-05BMMM-SL8A <u>XX</u> *	-
None - Certified NMEA 2000 (3A, 60V)	Metal	MC-05BMMM-SL8A <u>XX</u> *	MC-05BFFM-SL8A <u>XX</u> *
		MC-05BMMM-SL8B <u>XX</u> *	MC-05BFFM-SL8B <u>XX</u> *
	Plastic	MCP-05BMMM-SL8A <u>XX</u> *	MCP-05BFFM-SL8A <u>XX</u> *
		MCP-05BMMM-SL8B <u>XX</u> *	MCP-05BFFM-SL8B <u>XX</u> *

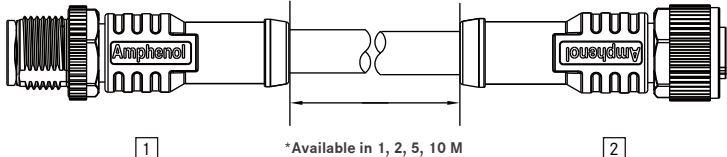
*XX: Cable length available in 1M (01), 2M (02), 5M (05), 10M (10).

Micro > Power Cable

<ul style="list-style-type: none"> • 5 Contacts • Screw Thread • For Powering NMEA 2000 Network System • Mated IP68 • Current Rating <ul style="list-style-type: none"> - Connector: 4A - Cable: 3A (With 3A Fuse) 		Unit: mm						
<table border="1" style="width: 100%; border-collapse: collapse;"> <tr> <td style="width: 20%; text-align: center;">Type</td> <td style="text-align: center;">Connector</td> <td style="text-align: center;">Part Number (Male Connector / Male Contacts)</td> </tr> <tr> <td style="text-align: center;">Certified NMEA 2000 (3A, 60V)</td> <td></td> <td style="text-align: center;">HPC-05CMMM-SL8A<u>XX</u>*</td> </tr> </table>	Type	Connector	Part Number (Male Connector / Male Contacts)	Certified NMEA 2000 (3A, 60V)		HPC-05CMMM-SL8A <u>XX</u> *		
Type	Connector	Part Number (Male Connector / Male Contacts)						
Certified NMEA 2000 (3A, 60V)		HPC-05CMMM-SL8A <u>XX</u> *						

*XX: Cable length available in 1M (01), 2M (02), 5M (05), 10M (10).

Micro > Cable > Double-ended Cordset

<ul style="list-style-type: none"> • 5 contacts • Screw Thread • For Power Tap Connection • Mated IP68 • Current Rating <ul style="list-style-type: none"> - Connector: 4A - Cable: 3A 																															
		*Available in 1, 2, 5, 10 M																													
		*Cable 22+24+B PVC																													
<table border="1" style="width: 100%; border-collapse: collapse;"> <tr> <td style="width: 20%; text-align: center;">Type</td> <td style="text-align: center;">Connector</td> <td style="text-align: center;">End 1</td> <td style="text-align: center;">End 2</td> <td style="text-align: center;">End 1</td> <td style="text-align: center;">End 2</td> <td style="text-align: center;">End 1</td> <td style="text-align: center;">End 2</td> </tr> <tr> <td></td> <td></td> <td colspan="2" style="text-align: center;">Male</td> <td colspan="2" style="text-align: center;">Female</td> <td colspan="2" style="text-align: center;">Male</td> </tr> <tr> <td></td> <td></td> <td colspan="2"></td> <td colspan="2"></td> <td colspan="2" style="text-align: center;">Female</td> </tr> </table>		Type	Connector	End 1	End 2	End 1	End 2	End 1	End 2			Male		Female		Male								Female							
Type	Connector	End 1	End 2	End 1	End 2	End 1	End 2																								
		Male		Female		Male																									
						Female																									
<table border="1" style="width: 100%; border-collapse: collapse;"> <tr> <td rowspan="2" style="width: 20%; text-align: center;">Certified NMEA 2000 (3A, 60V)</td> <td style="text-align: center;">Metal</td> <td style="text-align: center;">-</td> <td style="text-align: center;">-</td> <td colspan="4" style="text-align: center;">HMC-000505-0MF-CSA<u>XX</u>*</td> </tr> <tr> <td style="text-align: center;">Plastic</td> <td style="text-align: center;">-</td> <td style="text-align: center;">-</td> <td colspan="4" style="text-align: center;">HPC-000505-0MF-CSA<u>XX</u>*</td> </tr> </table>		Certified NMEA 2000 (3A, 60V)	Metal	-	-	HMC-000505-0MF-CSA <u>XX</u> *				Plastic	-	-	HPC-000505-0MF-CSA <u>XX</u> *																		
Certified NMEA 2000 (3A, 60V)	Metal		-	-	HMC-000505-0MF-CSA <u>XX</u> *																										
	Plastic	-	-	HPC-000505-0MF-CSA <u>XX</u> *																											
<table border="1" style="width: 100%; border-collapse: collapse;"> <tr> <td rowspan="2" style="width: 20%; text-align: center;">None - Certified NMEA 2000 (3A, 60V)</td> <td style="text-align: center;">Metal</td> <td style="text-align: center;">MC-000505-0MM-C<u>XX</u>*</td> <td style="text-align: center;">MC-000505-0FF-C<u>XX</u>*</td> <td colspan="4" style="text-align: center;">MC-000505-0MF-CS<u>XX</u>*</td> </tr> <tr> <td style="text-align: center;">Plastic</td> <td style="text-align: center;">PC-000505-0MM-C<u>XX</u>*</td> <td style="text-align: center;">PC-000505-0FF-C<u>XX</u>*</td> <td colspan="4" style="text-align: center;">PC-000505-0MF-CS<u>XX</u>*</td> </tr> </table>		None - Certified NMEA 2000 (3A, 60V)	Metal	MC-000505-0MM-C <u>XX</u> *	MC-000505-0FF-C <u>XX</u> *	MC-000505-0MF-CS <u>XX</u> *				Plastic	PC-000505-0MM-C <u>XX</u> *	PC-000505-0FF-C <u>XX</u> *	PC-000505-0MF-CS <u>XX</u> *																		
None - Certified NMEA 2000 (3A, 60V)	Metal		MC-000505-0MM-C <u>XX</u> *	MC-000505-0FF-C <u>XX</u> *	MC-000505-0MF-CS <u>XX</u> *																										
	Plastic	PC-000505-0MM-C <u>XX</u> *	PC-000505-0FF-C <u>XX</u> *	PC-000505-0MF-CS <u>XX</u> *																											

*XX: Cable length available in 1 (01), 2 (02), 5 (05), 10 (10)M.

[Note] Design and specification are subject to change without notice.

Micro > Power Cable (Double Ends)

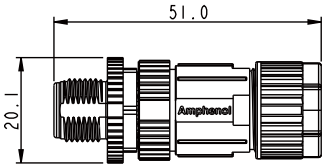
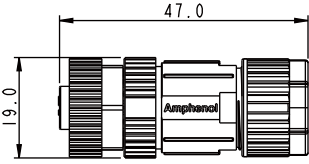
<ul style="list-style-type: none"> • 5 Contacts • Screw Thread • For Powering NMEA 2000 Network System • Mated IP68 • Current Rating <ul style="list-style-type: none"> - Connector: 4A - Cable: 3A 											
<table border="1"> <tr> <td colspan="2">Connector</td> <td>End 1</td> <td>End 2</td> </tr> <tr> <td colspan="2">Type</td> <td>Male</td> <td>Female</td> </tr> </table>		Connector		End 1	End 2	Type		Male	Female	End 1	End 2
		Connector		End 1	End 2						
Type		Male	Female								
<table border="1"> <tr> <td>Certified NMEA 2000 (3A, 60V)</td> <td>Plastic</td> <td colspan="2">HPC-000505-0MF-DSAXX*</td> </tr> </table>		Certified NMEA 2000 (3A, 60V)	Plastic	HPC-000505-0MF-DSAXX*							
Certified NMEA 2000 (3A, 60V)	Plastic	HPC-000505-0MF-DSAXX*									

*XX: Cable length available in 1 (01), 2 (02), 5 (05), 10 (10)M.

Micro > Field Installable (Right Angle)

<ul style="list-style-type: none"> • 5 contacts • Screw Thread • Screw-in Contacts • Mated IP67 											
		Unit: mm									
<table border="1"> <tr> <td colspan="2">Type</td> <td>Part Number (Male Connector / Male Contacts)</td> <td>Part Number (Female Connector / Female Contacts)</td> </tr> </table>		Type		Part Number (Male Connector / Male Contacts)	Part Number (Female Connector / Female Contacts)						
Type		Part Number (Male Connector / Male Contacts)	Part Number (Female Connector / Female Contacts)								
<table border="1"> <tr> <td>Certified NMEA 2000 (4A, 60V)</td> <td>Metal</td> <td>HMC-05BMMB-SR7001 (Ø4.5 ~Ø6.0mm; 14AWG Max.)</td> <td>HMC-05BFFB-SR7001 (Ø4.5 ~Ø6.0mm; 14AWG Max.)</td> </tr> <tr> <td></td> <td>Plastic</td> <td>HPC-05BMMB-SR7001 (Ø4.5 ~Ø6.0mm; 14AWG Max.)</td> <td>HPC-05BFFB-SR7001 (Ø4.5 ~Ø6.0mm; 14AWG Max.)</td> </tr> </table>		Certified NMEA 2000 (4A, 60V)	Metal	HMC-05BMMB-SR7001 (Ø4.5 ~Ø6.0mm; 14AWG Max.)	HMC-05BFFB-SR7001 (Ø4.5 ~Ø6.0mm; 14AWG Max.)		Plastic	HPC-05BMMB-SR7001 (Ø4.5 ~Ø6.0mm; 14AWG Max.)	HPC-05BFFB-SR7001 (Ø4.5 ~Ø6.0mm; 14AWG Max.)		
		Certified NMEA 2000 (4A, 60V)	Metal	HMC-05BMMB-SR7001 (Ø4.5 ~Ø6.0mm; 14AWG Max.)	HMC-05BFFB-SR7001 (Ø4.5 ~Ø6.0mm; 14AWG Max.)						
	Plastic	HPC-05BMMB-SR7001 (Ø4.5 ~Ø6.0mm; 14AWG Max.)	HPC-05BFFB-SR7001 (Ø4.5 ~Ø6.0mm; 14AWG Max.)								
<table border="1"> <tr> <td>None - Certified NMEA 2000 (4A, 60V)</td> <td>Metal</td> <td>12-05BMMB-SR7001 (Ø4.5 ~Ø6.0mm; 18AWG Max.)</td> <td>12-05BFFB-SR7001 (Ø4.5 ~Ø6.0mm; 18AWG Max.)</td> </tr> <tr> <td></td> <td>Plastic</td> <td>12P-05BMMB-SR7001 (Ø4.5 ~Ø6.0mm; 18AWG Max.)</td> <td>12P-05BFFB-SR7001 (Ø4.5 ~Ø6.0mm; 18AWG Max.)</td> </tr> </table>		None - Certified NMEA 2000 (4A, 60V)	Metal	12-05BMMB-SR7001 (Ø4.5 ~Ø6.0mm; 18AWG Max.)	12-05BFFB-SR7001 (Ø4.5 ~Ø6.0mm; 18AWG Max.)		Plastic	12P-05BMMB-SR7001 (Ø4.5 ~Ø6.0mm; 18AWG Max.)	12P-05BFFB-SR7001 (Ø4.5 ~Ø6.0mm; 18AWG Max.)		
		None - Certified NMEA 2000 (4A, 60V)	Metal	12-05BMMB-SR7001 (Ø4.5 ~Ø6.0mm; 18AWG Max.)	12-05BFFB-SR7001 (Ø4.5 ~Ø6.0mm; 18AWG Max.)						
	Plastic	12P-05BMMB-SR7001 (Ø4.5 ~Ø6.0mm; 18AWG Max.)	12P-05BFFB-SR7001 (Ø4.5 ~Ø6.0mm; 18AWG Max.)								

▾ Micro > Field Installable (Straight)

<ul style="list-style-type: none"> • 5 contacts • Screw Thread • Screw-in Contacts • Mated IP67 					
		Unit: mm			
Connector		Part Number (Male Connector / Male Contacts)		Part Number (Female Connector / Female Contacts)	
Type	Metal	UMC-05BMMB-SL7001 (Ø4.5 ~ Ø7.5mm; 18AWG Max.)		UMC-05BFFB-SL7001 (Ø4.5 ~ Ø7.5mm; 18AWG Max.)	
	Plastic	HMC-05BMMB-SL7001 (Ø4.5 ~ Ø6.0mm; 14AWG Max.)		HMC-05BFFB-SL7001 (Ø4.5 ~ Ø6.0mm; 14AWG Max.)	
Certified NMEA 2000 (4A, 60V)	Metal	12-05BMMB-SL7001 (Ø4.5 ~ Ø6.0mm; 18AWG Max.)		12-05BFFB-SL7001 (Ø4.5 ~ Ø6.0mm; 18AWG Max.)	
	Plastic	12P-05BMMB-SL7001 (Ø4.5 ~ Ø6.0mm; 18AWG Max.)		12P-05BFFB-SL7001 (Ø4.5 ~ Ø6.0mm; 18AWG Max.)	
None - Certified NMEA 2000 (4A, 60V)	Metal	12-05BMMB-SL7001 (Ø4.5 ~ Ø6.0mm; 18AWG Max.)		12-05BFFB-SL7001 (Ø4.5 ~ Ø6.0mm; 18AWG Max.)	
	Plastic	12P-05BMMB-SL7001 (Ø4.5 ~ Ø6.0mm; 18AWG Max.)		12P-05BFFB-SL7001 (Ø4.5 ~ Ø6.0mm; 18AWG Max.)	

【Note】 Design and specification are subject to change without notice.

Micro > Cable > T-Cable

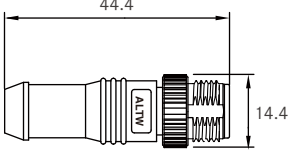
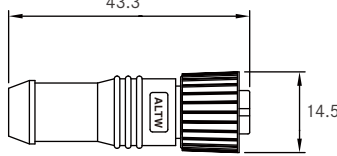
<ul style="list-style-type: none"> • 5 contacts • Screw Thread • For Power Tap Connection • Mated IP68 • Current Rating <ul style="list-style-type: none"> - Connector: 4A - Cable: 3A 									
						Unit: mm			
Type		Connector		End 1	End 2	End 1	End 2	End 1	End 2
				Male		Female		Male	Female
Certified NMEA 2000 (3A, 60V)	Metal			-	-			UMC-050500-FM0-TSAXX*	
	Plastic			-	-			HMC-050500-FM0-TSAXX*	
None - Certified NMEA 2000 (3A, 60V)	Metal	MC-050500-MM0-TSBXX*		MC-050500-MM0-TSBXX*	MC-050500-FF0-TSBXX*	MC-050500-FM0-TSBXX*		MC-050500-FM0-TSBXX*	
	Plastic	PC-050500-MM0-TSBXX*		PC-050500-MM0-TSBXX*	PC-050500-FF0-TSBXX*	PC-050500-FM0-TSBXX*		PC-050500-FM0-TSBXX*	

*XX: Cable length available in 1 (01), 2 (02), 5 (05), 10 (10)M.

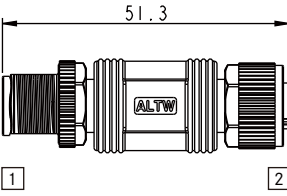
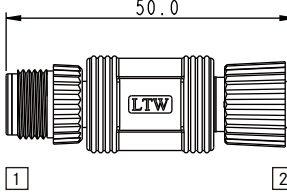
Micro > Network Terminator > Terminator

<ul style="list-style-type: none"> • 5 contacts • Screw Thread • With 120Ω Resistor • Mated IP68 							
						Unit: mm	
Type		Connector		Part Number (Male Connector / Male Contacts)		Part Number (Female Connector / Female Contacts)	
Certified NMEA 2000 (3A, 60V)	Metal			HMC-05BMMT-SL8001		HMC-05BFFT-SL8001	
	Plastic			HMCP-05BMMT-SL8001		HMCP-05BFFT-SL8001	

Micro > Network Terminator > Terminator

<ul style="list-style-type: none"> • 5 contacts • Screw Thread • With 120Ω Resistor • Mated IP68 							
				Unit: mm			
Type		Connector		Part Number (Male Connector / Male Contacts)		Part Number (Female Connector / Female Contacts)	
Certified NMEA 2000 (3A, 60V)		Metal		UMC-05BMMT-SL8001		UMC-05BFFT-SL8001	
None - Certified NMEA 2000 (3A, 60V)		Metal		MC-05BMMT-SL8001		MC-05BFFT-SL8001	
		Plastic		MCP-05BMMT-SL8001		MCP-05BFFT-SL8001	

Micro > Network Terminator > Terminator (In-Line)

<ul style="list-style-type: none"> • 5 contacts • Screw Thread • With 120Ω Resistor • Mated IP68 							
				Unit: mm			
Type		Connector		End 1	End 2	End 1	End 2
				Male	Female	Male	Female
Certified NMEA 2000 (4A, 60V)		Metal		HMC-000505-0MF-IS001		-	
		Plastic		HPC-000505-0MF-IS001		-	
None - Certified NMEA 2000 (4A, 60V)		Metal		-		MC-000505-0MF-IS001	

[Note] Design and specification are subject to change without notice.

≧ Micro > Adaptor > T-Adaptor

<ul style="list-style-type: none"> • 5 contacts • Screw Thread • Mated IP68 			
		Unit: mm	
Connector Type		End 1 (Female Connector / Female Contacts)	
		End 2 (Male Connector / Male Contacts)	
		End 3 (Female Connector / Female Contacts)	
Certified NMEA 2000 (4A, 60V)	Metal	HMC-050505-FMF-TS001	
		UMC-050505-FMF-TS001	
	Plastic	HPC-050505-FMF-TS001	

≧ Micro > Adaptor > Elbow (L-Adaptor)

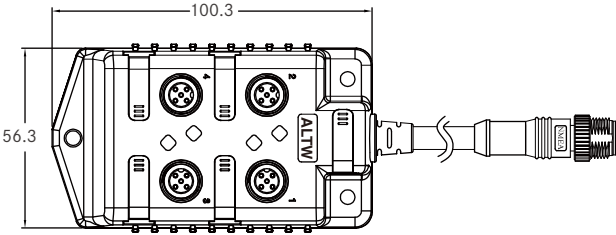
<ul style="list-style-type: none"> • 5 contacts • Screw Thread • Mated IP68 			
		Unit: mm	
Connector Type		Part Number (Male Connector / Male Contacts)	Part Number (Female Connector / Female Contacts)
Certified NMEA 2000 (4A, 60V)	Metal	HMC-000505-0FM-ES001	
	Plastic	HPC-000505-0FM-ES001	
None - Certified NMEA 2000 (4A, 60V)	Metal	MC-000505-0FM-ES001	

Micro > Multi-port T-Adaptor

<ul style="list-style-type: none"> • 5 contacts • Screw Thread • Mated IP68 			
		Unit: mm	
Type	Connector	End 1 (Female Connector / Female Contacts)	End 1 (Female Connector / Female Contacts)
		End 2 (Female Connector / Female Contacts)	End 2 (Female Connector / Female Contacts)
		End 3 (Female Connector / Female Contacts)	End 3 (Female Connector / Female Contacts)
		End 4 (Male Connector / Male Contacts)	End 4 (Female Connector / Female Contacts)
		-	End 5 (Female Connector / Female Contacts)
		-	End 6 (Male Connector / Male Contacts)
Certified NMEA 2000 (4A, 60V)	Metal	E-555500-FFFM00-S001	E-555555-FFFFFM-S001
	Plastic	H-555500-FFFM00-S001	H-555555-FFFFFM-S001
None - Certified NMEA 2000 (4A, 60V)	Metal	P-555500-FFFM00-S001	P-555555-FFFFFM-S001
		S-555500-FFFM00-S001	S-555500-FFFM00-S001

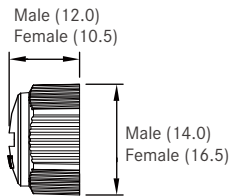
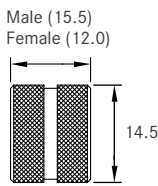
【Note】 Design and specification are subject to change without notice.

Micro > Multi-port > Box

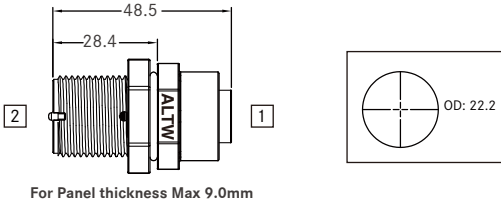
• Unmated IP68	
	Unit: mm
Type	Part Number
None - Certified NMEA 2000 (4A, 30V)	S-555500-FFFF00-SBXX*
Certified NMEA 2000 (4A, 30V)	E-555500-FFFF00-SAXX*

* XX: Cable length available from 01 ~ 99m

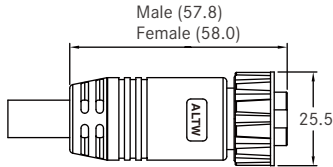
Micro > Waterproof Cap

				<p>* Plastic</p> 	<p>* Metal</p> 
				Unit: mm	
Size	Mating Pair	Mating Style	Mating Gender	Part Number	
Micro	Receptacle	Screw Thread	Male	CAP-WBDMSPB2	
	Receptacle and Overmolded with Cable		Male	CAP-WBDMSMA1 (Plastic)	
			Male	CAP-WBDMSMA2 (Metal)	
			Female	CAP-WBDFSMA1 (Plastic)	
			Female	CAP-WBDFSMA2 (Metal)	

Mini > Bulkhead (Double-ended)

<p>• Unmated IP68</p>  <p style="text-align: right;">Unit: mm</p>	
<p>Connector Type</p>	<p>Connector 1 (Female Connector / Female Contacts)</p>
	<p>Connector 2 (Male Connector / Male Contacts)</p>
<p>None - Certified NMEA 2000 (8A, 600V)</p>	<p>MN-000505-0FM-BS001</p>
<p>Certified NMEA 2000 (8A, 600V)</p>	<p>UMN-000505-0FM-BS001</p>

Mini > Cable > Drop Line

<p>• Mated IP68</p>  <p style="text-align: right;">Unit: mm</p>		
<p>Type</p>	<p>Part Number (Male Connector / Male Contacts)</p>	<p>Part Number (Female Connector / Female Contacts)</p>
<p>None - Certified NMEA 2000 (8A, 30V)</p>	<p>MN-05AMMM-SL8CXX*</p>	<p>MN-05AFFM-SL8CXX*</p>
<p>Certified NMEA 2000 (8A, 600V)</p>	<p>UMN-05AMMM-SL8CXX*</p>	<p>-</p>

*XX: Cable length available in 1 (01), 2 (02), 5 (05), 10 (10)M.

【Note】 Design and specification are subject to change without notice.

Mini > Cable > Double-ended Cordset

<ul style="list-style-type: none"> • Mated IP68 		<p>* Available in 1, 2, 5, 10 M</p>	
Connector Type	Connector 1 (Male Connector / Male Contacts)		
	Connector 2 (Female Connector / Female Contacts)		
None - Certified NMEA 2000 (8A, 30V)	MN-000505-0MF-CSCXX*		
Certified NMEA 2000 (8A, 600V)	UMN-000505-0MF-CSCXX*		

*XX: Cable length available in 1 (01), 2 (02), 5 (05), 10 (10)M.

Mini > Field Installable

<ul style="list-style-type: none"> • Screw-in Contacts • Mated IP68 		<p>* Conforming to NMEA</p>	<p>* NMEA approved</p>
Type	Part Number (Male Connector / Male Contacts)	Part Number (Female Connector / Female Contacts)	
None - Certified NMEA 2000 (8A, 600V)	MN-05BMMB-SL7001	MN-05BFFB-SL7001	
Certified NMEA 2000 (8A, 600V)	UMN-05BMMB-SL7001	UMN-05BFFB-SL7001	

Unit: mm

* Recommended Cable Information:
 - None-Certified: Ø8 ~ Ø11mm; 15AWG Max.
 - Certified NMEA 2000: Ø8 ~ Ø12.2mm; 15AWG Max.

Mini > T-Cable

<ul style="list-style-type: none"> • Mated IP68 		
	Unit: mm	
Connector Type	Connector 1 (Female Connector / Female Contacts)	
	Connector 2 (Male Connector / Male Contacts)	
None - Certified NMEA 2000 (8A, 30V)	MN-050500-FM0-TSCXX*	

*XX: Cable length available in 1 (01), 2 (02), 5 (05), 10 (10)M.

Mini > Network Terminator

<ul style="list-style-type: none"> • With 120Ω Resistor • Mated IP68 	<ul style="list-style-type: none"> * Conforming to NMEA * Signal function LED 		<ul style="list-style-type: none"> * NMEA approved 	
Type	Part Number (Male Connector / Male Contacts)	Part Number (Female Connector / Female Contacts)		
None - Certified NMEA 2000 (8A, 250V)	MNL-05BMMT-SL8001	MNL-05BFFT-SL8001		
Certified NMEA 2000 (8A, 250V)	UMN-05AMMT-SL8001	UMN-05AFFT-SL8001		

[Note] Design and specification are subject to change without notice.

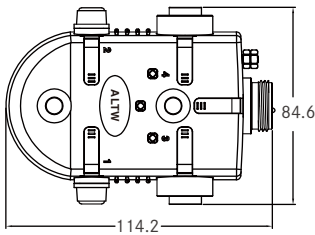
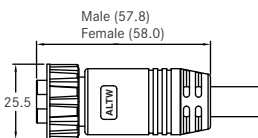
∟ Mini > T-Adaptor

<p>• Mated IP68</p>			
		Unit: mm	
<p>Connector</p> <p>Type</p>	<p>Connector 1 (Female Connector / Female Contacts)</p>		
	<p>Connector 2 (Male Connector / Male Contacts)</p>		
	<p>Connector 3 (Female Connector / Female Contacts)</p>		
<p>None-Certified NMEA 2000 (8A, 300V)</p>		<p>MN-050505-FMF-TS001</p>	
<p>Certified NMEA 2000 (8A, 300V)</p>		<p>UMN-050505-FMF-TS001</p>	

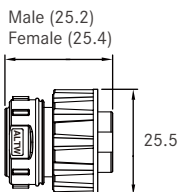
∟ Mini > Adaptor > Elbow (L-Adaptor)

<p>• Mated IP68</p>			
		Unit: mm	
<p>Connector</p> <p>Type</p>	<p>Connector 1 (Female Connector / Female Contacts)</p>		
	<p>Connector 2 (Male Connector / Male Contacts)</p>		
<p>None-Certified NMEA 2000 (8A, 300V)</p>		<p>MN-000505-0FM-ES001</p>	

Mini > Power Tap Tee

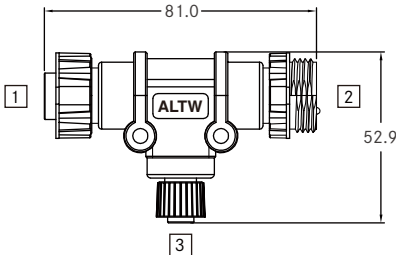
<ul style="list-style-type: none"> • With replaceable fuse • Mated IP68 		<p>Recommended Mating Pair MN-04AFFM-SL8DXX</p> <p>Male (57.8) Female (58.0)</p>  <p>*XX: Cable length available in 1(01), 2(02), 5(05), 10(10)M.</p> <p>Unit: mm</p>
<p>Connector</p> <p>Type</p>	Connector 1 (Male Connector / Male Contacts)	
	Connector 2 (Female Connector / Female Contacts)	
	Connector 3 (Female Connector / Female Contacts)	
None-Certified NMEA 2000 (8A, 250V)	N-455000-MFF000-S001	
Certified NMEA 2000 (8A, 250V)	U-455000-MFF000-S001	

Mini > Waterproof Cap

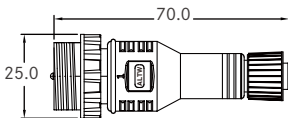
<ul style="list-style-type: none"> • 5 Contacts • Screw Thread • Mated IP68 	 <p>Male (25.2) Female (25.4)</p> <p>Unit: mm</p>			
Size	Mating Pair	Mating Style	Mating Gender	Part Number
Mini	Receptacle and Overmolded with Cable	Screw Thread	Female	CAP-WMNMSMA1
			Male	CAP-WMNFSA1

[Note] Design and specification are subject to change without notice.

↳ Mini to Micro > T-Adaptor

<p>• Mated IP68</p>		 <p style="text-align: right;">Unit: mm</p>	
<p>Connector</p>	<p>Connector 1 (Female Connector / Female Contacts)</p>		
	<p>Connector 2 (Male Connector / Male Contacts)</p>		
	<p>Connector 3 (Female Connector / Female Contacts)</p>		
<p>Type</p>			
<p>None- Certified NMEA 2000 (4A, 60V)</p>	<p>NC-050505-FMF-TS001</p>		
<p>Certified NMEA 2000 (4A, 60V)</p>	<p>UNC-050505-FMF-TS001</p>		

↳ Mini to Micro > I-Adaptor

<p>• Mated IP68</p>		 <p style="text-align: right;">Unit: mm</p>	
<p>Type</p>	<p>Part Number</p>		
<p>None- Certified NMEA 2000 (4A, 60V)</p>	<p>NC-000505-0MF-IS001</p>		

Memo

A series of horizontal dashed lines for writing, spanning most of the page width.



Scan to visit our website

Amphenol LTW Technology Co., Ltd.

5F-3, No.51, Sec.4, Zhongyang Rd., Tucheng Dist., New Taipei City 236, Taiwan
Telephone: +886-2-77416888 Fax: +886-2-77416999
www.amphenolltw.com

Kunshan Factory

No. 62, DaTong Road, Development Zone, Kunshan City, JiangSu Province, 215333 China
Telephone: +86-512-5761-0501
Fax: : +86-512-5761-0515

For further information, please contact :

Sales & Marketing Department | Email : sales@ltw-tech.com



Компания «ЭлектроПласт» предлагает заключение долгосрочных отношений при поставках импортных электронных компонентов на взаимовыгодных условиях!

Наши преимущества:

- Оперативные поставки широкого спектра электронных компонентов отечественного и импортного производства напрямую от производителей и с крупнейших мировых складов;
- Поставка более 17-ти миллионов наименований электронных компонентов;
- Поставка сложных, дефицитных, либо снятых с производства позиций;
- Оперативные сроки поставки под заказ (от 5 рабочих дней);
- Экспресс доставка в любую точку России;
- Техническая поддержка проекта, помощь в подборе аналогов, поставка прототипов;
- Система менеджмента качества сертифицирована по Международному стандарту ISO 9001;
- Лицензия ФСБ на осуществление работ с использованием сведений, составляющих государственную тайну;
- Поставка специализированных компонентов (Xilinx, Altera, Analog Devices, Intersil, Interpoint, Microsemi, Aeroflex, Peregrine, Syfer, Eurofarad, Texas Instrument, Miteq, Cobham, E2V, MA-COM, Hittite, Mini-Circuits, General Dynamics и др.);

Помимо этого, одним из направлений компании «ЭлектроПласт» является направление «Источники питания». Мы предлагаем Вам помощь Конструкторского отдела:

- Подбор оптимального решения, техническое обоснование при выборе компонента;
- Подбор аналогов;
- Консультации по применению компонента;
- Поставка образцов и прототипов;
- Техническая поддержка проекта;
- Защита от снятия компонента с производства.



Как с нами связаться

Телефон: 8 (812) 309 58 32 (многоканальный)

Факс: 8 (812) 320-02-42

Электронная почта: org@eplast1.ru

Адрес: 198099, г. Санкт-Петербург, ул. Калинина, дом 2, корпус 4, литера А.