

UG229: Si51211/Si51218 Evaluation Board User's Guide

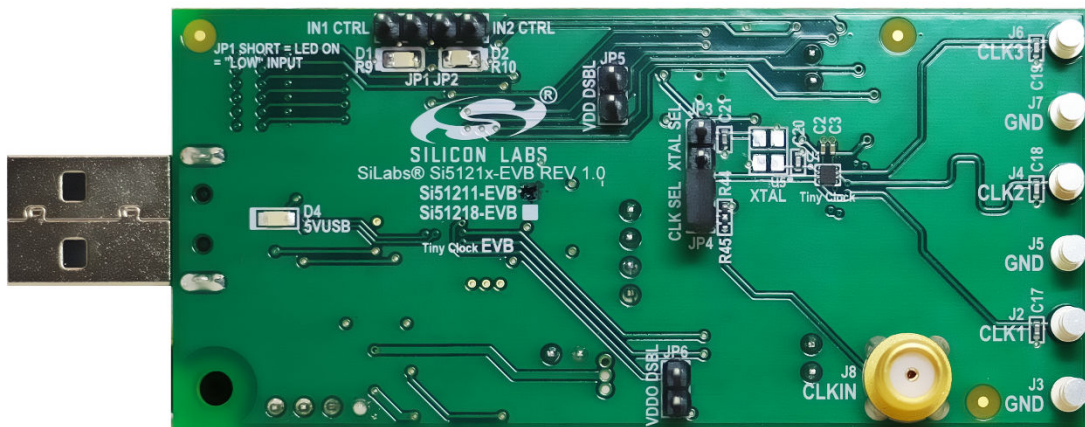
The Si51211/Si51218 evaluation boards (the Si5121x-EVB) can be used to emulate custom Si5121x part numbers as below:

Base Part Number	EVB
Si51210/14	Si51211 EVB
Si51211	Si51211 EVB
Si51218	Si51218 EVB

The Si5121x-EVB has an on-board programmable Si514 that generates the input clock frequency and can demonstrate function of up to two dc input pins and one output clock or up to three output clocks from the Si5121x part, depending on the part emulated and the frequency plan.

EVB FEATURES

- Powered from USB port
- Onboard Si514 to generate any input clock based on the frequency plan
- CBPro™ GUI programmable V_{DD} supply allows device at 3.3 V or 2.5 V



1. Identifying the EVB Part

Look for the “check” on one of the two boxes for either the Si51211-EVB or the Si51218-EVB as shown in [Figure 1.1 Si5121x-EVB Identification on page 1](#). Other than this check box selection (and the Si5121x device used in the EVB), the EVBs are both identical by design. Therefore, the user guide to the EVBs is a common document. CBPro™ also has the ability to identify the EVBs and displays the EVB type as shown in [Figure 1.2 Si5121x-EVB Identification by CBPro on page 1](#).



Figure 1.1. Si5121x-EVB Identification

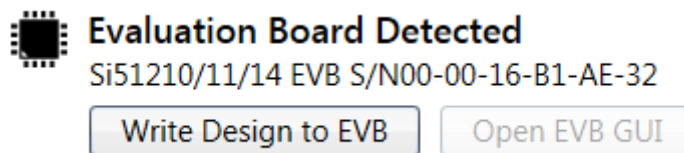


Figure 1.2. Si5121x-EVB Identification by CBPro

2. Functional Block Diagram

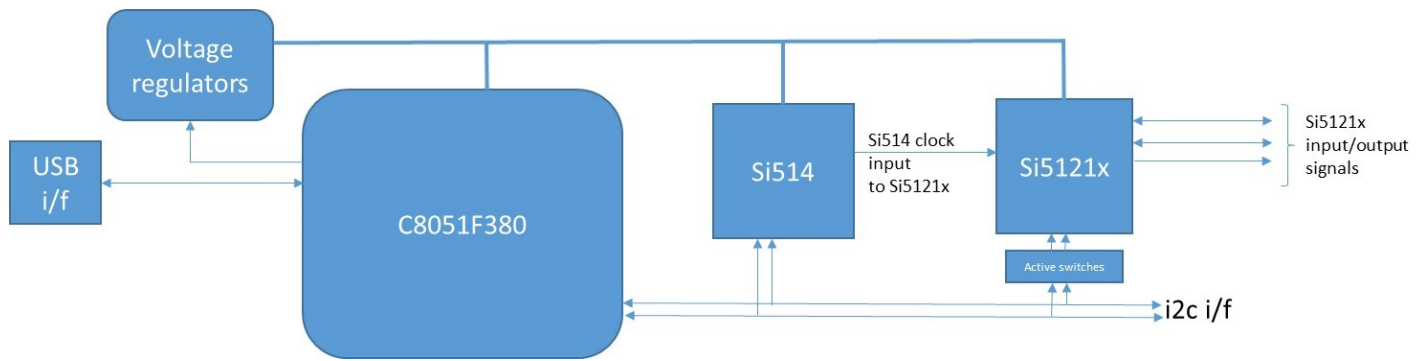


Figure 2.1. Si5121x-CEVB Functional Block Diagram

The C8051F380 MCU is used to control the Si514, Si5121x devices, and the voltage regulators and implement the plans created on CBPro.

3. Installing ClockBuilderPro (CBPro) Desktop Software

To install the CBPro software on any Windows 7 or above PC, go to www.silabs.com/CBPro and download the CBPro software. Installation instructions and a User's Guide for CBPro can be found at the download link shown above. Follow the instructions as indicated.

4. Using the Si5121x EVB

4.1 Connecting to a Si5121x EVB using CBPro

Once CBPro software is installed, connect to the EVB with a USB cable as shown in the figure below:



Figure 4.1. Connecting to Si5121x EVB via CBPro

4.2 Programing the Si5121x EVB using CBPro

There are three ways to select (or arrive at) a frequency plan on the CBPro software. They are as follows:

1. Selecting a “default plan” from CBPro.
2. Creating a plan using the CBPro wizard.
3. Opening an existing plan stored as a CBPro project file.

At the end of any of these three steps, the starting point to programming the EVB will be as shown in the following figures:

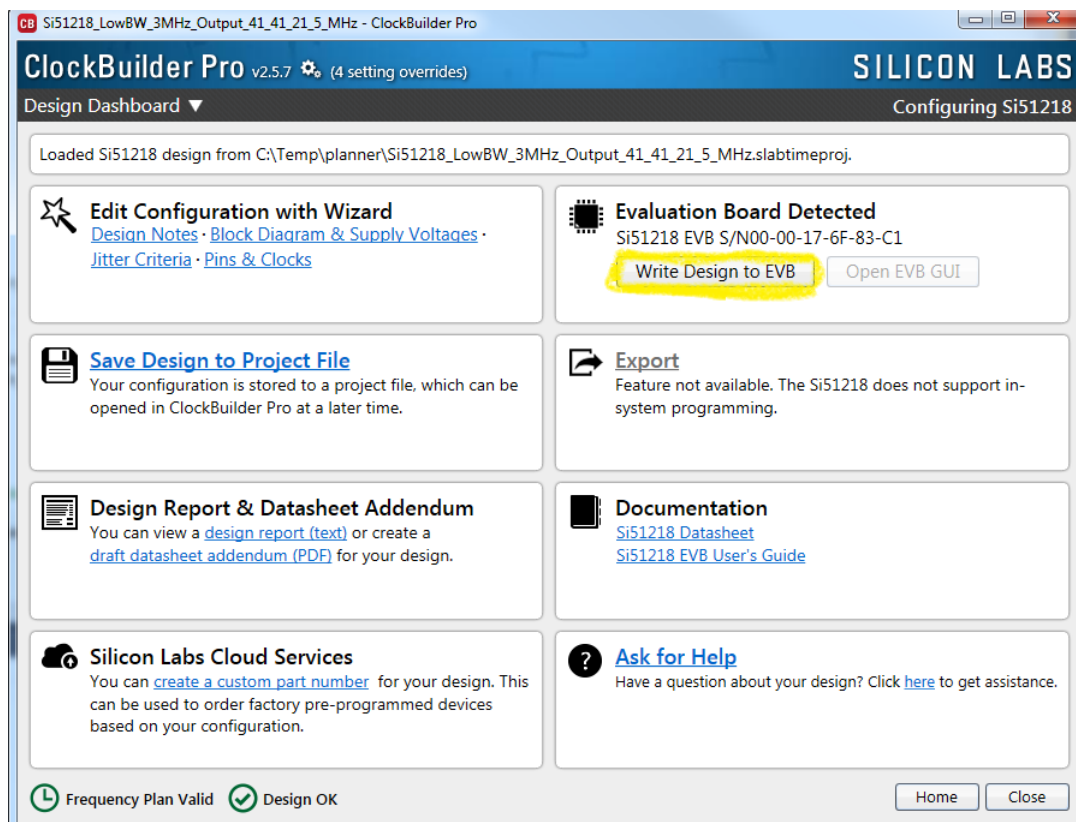


Figure 4.2. Starting Screen for EVB Write

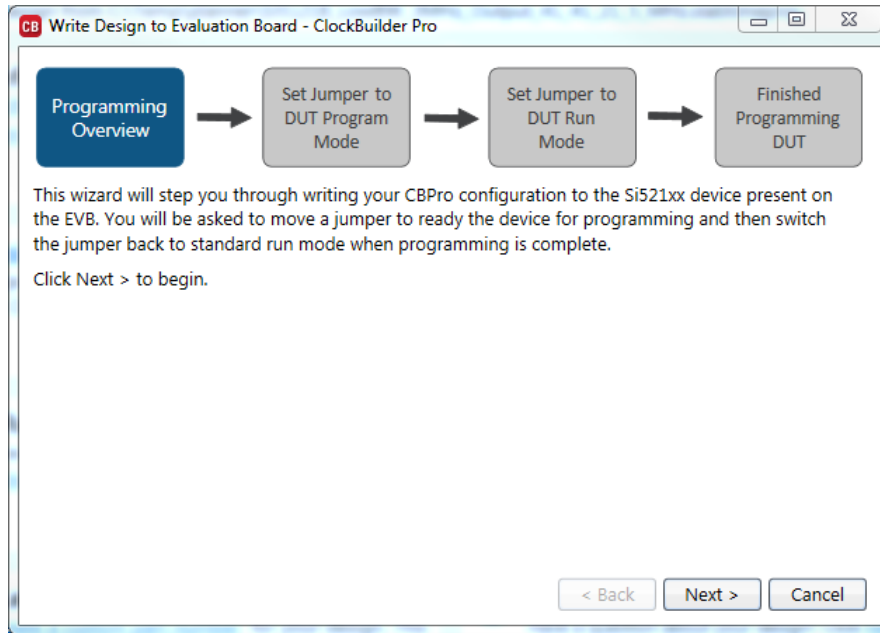


Figure 4.3. Step 1 of 4 in EVB Write

Click "Next" to get to the next window.

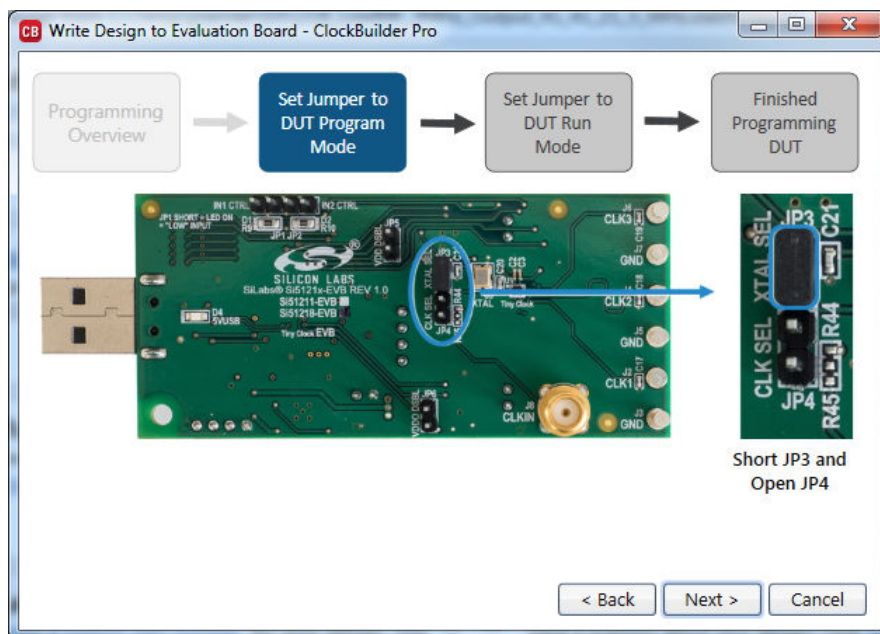


Figure 4.4. Step 2 of 4 in EVB Write

Now, ensure that the jumper JP3 is shorted and jumper JP4 is open. Then click "Next" to get to the window in [Figure 4.5 Step 3 of 4 in EVB Write on page 7](#).

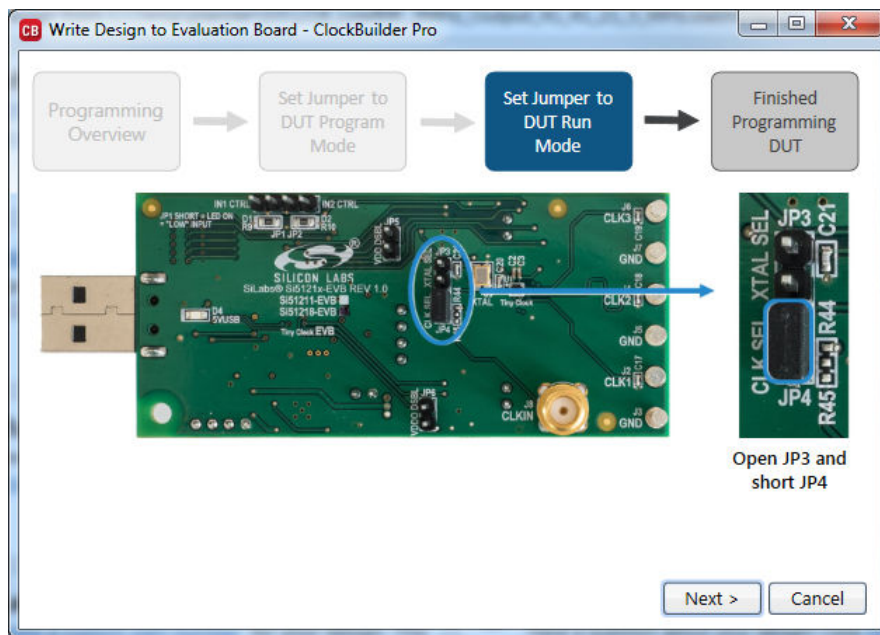


Figure 4.5. Step 3 of 4 in EVB Write

Next, ensure that the jumper JP4 is shorted and jumper JP3 is open. Then click "Next" to get to the window in [Figure 4.6 Step 4 of 4 in EVB Write on page 7](#).

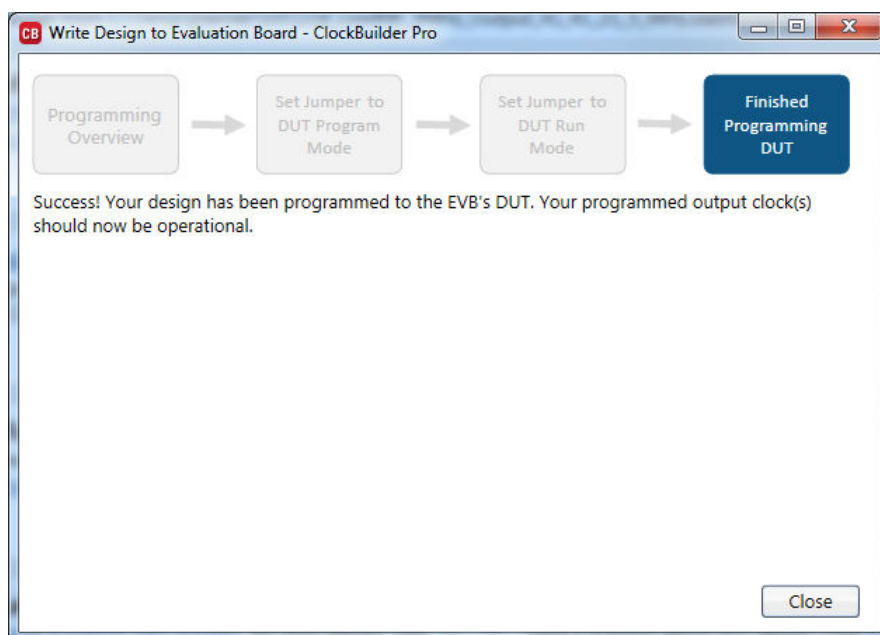


Figure 4.6. Step 4 of 4 in EVB Write

This step completes the programming. The plan can be evaluated now.

5. Controlling Input Pins

The input pin (IN1 or IN2) will be:

- High when the pin is left open, such as the IN2 setting in the figure below, or
- Low when the pin is shorted using an INx_CTRL jumper, such as the IN1 setting in the figure below.

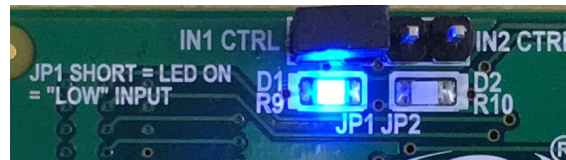


Figure 5.1. Input Pin Control

6. Bill of Materials (BOM), Layout, and Schematic

The Si5121x EVB Bill of Materials (BOM), Layout, and Schematic design files can be found online at: <http://www.silabs.com/si512xx>.

Note: Please be aware the Si5121x EVB schematic is in OrCad Capture hierarchical format and not in a typical “flat” schematic format.

7. Revision History

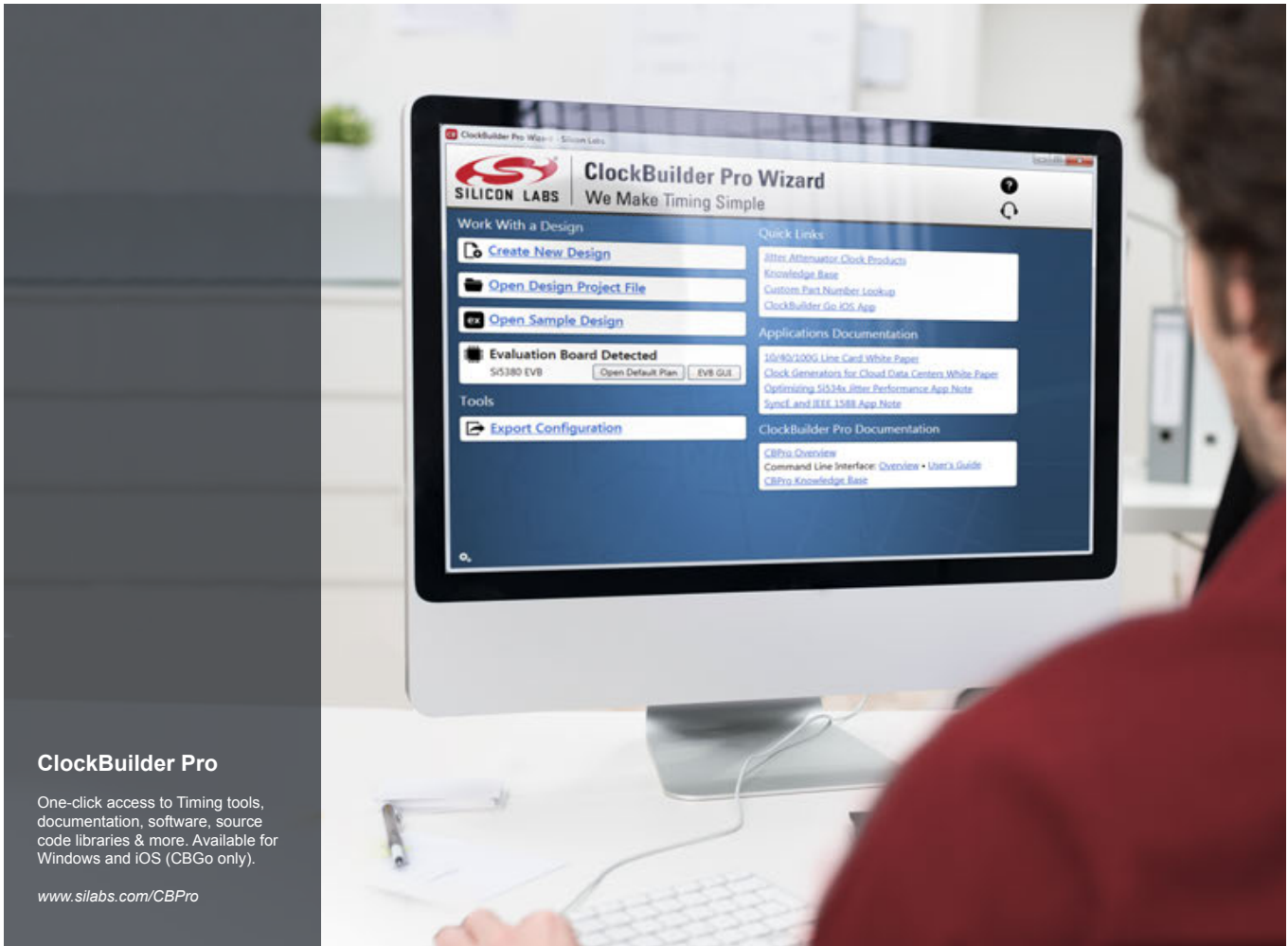
7.1 Revision 1.0

April 20, 2016

- Initial release.

Table of Contents

1. Identifying the EVB Part	1
2. Functional Block Diagram	2
3. Installing ClockBuilderPro (CBPro) Desktop Software	3
4. Using the Si5121x EVB	4
4.1 Connecting to a Si5121x EVB using CBPro	4
4.2 Programing the Si5121x EVB using CBPro	5
5. Controlling Input Pins	8
6. Bill of Materials (BOM), Layout, and Schematic	9
7. Revision History	10
7.1 Revision 1.0	10



ClockBuilder Pro

One-click access to Timing tools, documentation, software, source code libraries & more. Available for Windows and iOS (CBGo only).

www.silabs.com/CBPro



Timing Portfolio
www.silabs.com/timing



SW/HW
www.silabs.com/CBPro



Quality
www.silabs.com/quality



Support and Community
community.silabs.com

Disclaimer

Silicon Laboratories intends to provide customers with the latest, accurate, and in-depth documentation of all peripherals and modules available for system and software implementers using or intending to use the Silicon Laboratories products. Characterization data, available modules and peripherals, memory sizes and memory addresses refer to each specific device, and "Typical" parameters provided can and do vary in different applications. Application examples described herein are for illustrative purposes only. Silicon Laboratories reserves the right to make changes without further notice and limitation to product information, specifications, and descriptions herein, and does not give warranties as to the accuracy or completeness of the included information. Silicon Laboratories shall have no liability for the consequences of use of the information supplied herein. This document does not imply or express copyright licenses granted hereunder to design or fabricate any integrated circuits. The products are not designed or authorized to be used within any Life Support System without the specific written consent of Silicon Laboratories. A "Life Support System" is any product or system intended to support or sustain life and/or health, which, if it fails, can be reasonably expected to result in significant personal injury or death. Silicon Laboratories products are not designed or authorized for military applications. Silicon Laboratories products shall under no circumstances be used in weapons of mass destruction including (but not limited to) nuclear, biological or chemical weapons, or missiles capable of delivering such weapons.

Trademark Information

Silicon Laboratories Inc.®, Silicon Laboratories®, Silicon Labs®, SiLabs® and the Silicon Labs logo®, Bluegiga®, Bluegiga Logo®, Clockbuilder®, CMEMS®, DSPLL®, EFM®, EFM32®, EFR®, Ember®, Energy Micro, Energy Micro logo and combinations thereof, "the world's most energy friendly microcontrollers", Ember®, EZLink®, EZRadio®, EZRadioPRO®, Gecko®, ISOModem®, Precision32®, ProSLIC®, Simplicity Studio®, SiPHY®, Telegesis, the Telegesis Logo®, USBXpress® and others are trademarks or registered trademarks of Silicon Laboratories Inc. ARM, CORTEX, Cortex-M3 and THUMB are trademarks or registered trademarks of ARM Holdings. Keil is a registered trademark of ARM Limited. All other products or brand names mentioned herein are trademarks of their respective holders.



Silicon Laboratories Inc.
400 West Cesar Chavez
Austin, TX 78701
USA

<http://www.silabs.com>



Компания «ЭлектроПласт» предлагает заключение долгосрочных отношений при поставках импортных электронных компонентов на взаимовыгодных условиях!

Наши преимущества:

- Оперативные поставки широкого спектра электронных компонентов отечественного и импортного производства напрямую от производителей и с крупнейших мировых складов;
- Поставка более 17-ти миллионов наименований электронных компонентов;
- Поставка сложных, дефицитных, либо снятых с производства позиций;
- Оперативные сроки поставки под заказ (от 5 рабочих дней);
- Экспресс доставка в любую точку России;
- Техническая поддержка проекта, помощь в подборе аналогов, поставка прототипов;
- Система менеджмента качества сертифицирована по Международному стандарту ISO 9001;
- Лицензия ФСБ на осуществление работ с использованием сведений, составляющих государственную тайну;
- Поставка специализированных компонентов (Xilinx, Altera, Analog Devices, Intersil, Interpoint, Microsemi, Aeroflex, Peregrine, Syfer, Eurofarad, Texas Instrument, Miteq, Cobham, E2V, MA-COM, Hittite, Mini-Circuits, General Dynamics и др.);

Помимо этого, одним из направлений компании «ЭлектроПласт» является направление «Источники питания». Мы предлагаем Вам помощь Конструкторского отдела:

- Подбор оптимального решения, техническое обоснование при выборе компонента;
- Подбор аналогов;
- Консультации по применению компонента;
- Поставка образцов и прототипов;
- Техническая поддержка проекта;
- Защита от снятия компонента с производства.



Как с нами связаться

Телефон: 8 (812) 309 58 32 (многоканальный)

Факс: 8 (812) 320-02-42

Электронная почта: org@eplast1.ru

Адрес: 198099, г. Санкт-Петербург, ул. Калинина, дом 2, корпус 4, литера А.