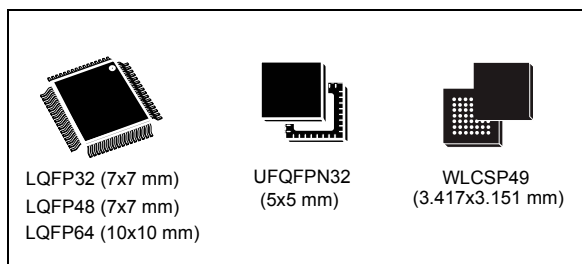


Arm<sup>®</sup> Cortex<sup>®</sup>-M4 32-bit MCU+FPU, up to 64 KB Flash,  
16 KB SRAM, ADC, DAC, COMP, Op-Amp, 2.0 – 3.6 V

Datasheet - production data

## Features

- Core: Arm<sup>®</sup> 32-bit Cortex<sup>®</sup>-M4 CPU with FPU (72 MHz max.), single-cycle multiplication and HW division, DSP instruction
- Memories
  - 32 to 64 Kbytes of Flash memory
  - 16 Kbytes of SRAM on data bus
- CRC calculation unit
- Reset and power management
  - V<sub>DD</sub>, V<sub>DDA</sub> voltage range: 2.0 to 3.6 V
  - Power-on/Power down reset (POR/PDR)
  - Programmable voltage detector (PVD)
  - Low-power: Sleep, Stop, and Standby
  - V<sub>BAT</sub> supply for RTC and backup registers
- Clock management
  - 4 to 32 MHz crystal oscillator
  - 32 kHz oscillator for RTC with calibration
  - Internal 8 MHz RC with x 16 PLL option
  - Internal 40 kHz oscillator
- Up to 51 fast I/O ports, all mappable on external interrupt vectors, several 5 V-tolerant
- Interconnect matrix
- 7-channel DMA controller supporting timers, ADCs, SPIs, I<sup>2</sup>Cs, USARTs and DAC
- 1 × ADC 0.20 μs (up to 15 channels) with selectable resolution of 12/10/8/6 bits, 0 to 3.6 V conversion range, single ended/differential mode, separate analog supply from 2.0 to 3.6 V
- Temperature sensor
- 1 x 12-bit DAC channel with analog supply from 2.4 to 3.6 V
- Three fast rail-to-rail analog comparators with analog supply from 2.0 to 3.6 V
- 1 x operational amplifier that can be used in PGA mode, all terminal accessible with analog supply from 2.4 to 3.6 V



- Up to 18 capacitive sensing channels supporting touchkey, linear and rotary sensors
- Up to 9 timers
  - One 32-bit timer with up to 4 IC/OC/PWM or pulse counter and quadrature (incremental) encoder input
  - One 16-bit 6-channel advanced-control timer, with up to 6 PWM channels, deadtime generation and emergency stop
  - Three 16-bit timers with IC/OC/OCN or PWM, deadtime gen. and emergency stop
  - One 16-bit basic timer to drive the DAC
  - 2 watchdog timers (independent, window)
  - SysTick timer: 24-bit downcounter
- Calendar RTC with alarm, periodic wakeup from Stop/Standby
- Communication interfaces
  - Three I<sup>2</sup>Cs with 20 mA current sink to support Fast mode plus
  - Up to 3 USARTs, 1 with ISO 7816 I/F, auto baudrate detect and Dual clock domain
  - Up to two SPIs with multiplexed full duplex I<sup>2</sup>S
  - Infrared transmitter
- Serial wire debug (SWD), JTAG
- 96-bit unique ID

**Table 1. Device summary**

| Reference   | Part number                           |
|-------------|---------------------------------------|
| STM32F301x6 | STM32F301R6, STM32F301C6, STM32F301K6 |
| STM32F301x8 | STM32F301R8, STM32F301C8, STM32F301K8 |

# Contents

|          |  |           |
|----------|--|-----------|
| <b>1</b> | <b>Introduction</b>                                    | <b>9</b>  |
| <b>2</b> | <b>Description</b>                                     | <b>10</b> |
| <b>3</b> | <b>Functional overview</b>                             | <b>13</b> |
| 3.1      | Arm® Cortex®-M4 core with FPU, embedded Flash and SRAM | 13        |
| 3.2      | Memories   | 13        |
| 3.2.1    | Embedded Flash memory                                  | 13        |
| 3.2.2    | Embedded SRAM  | 13        |
| 3.3      | Boot modes   | 13        |
| 3.4      | Cyclic redundancy check calculation unit (CRC)         | 14        |
| 3.5      | Power management                                       | 14        |
| 3.5.1    | Power supply schemes                                   | 14        |
| 3.5.2    | Power supply supervisor                                | 14        |
| 3.5.3    | Voltage regulator                                      | 15        |
| 3.5.4    | Low-power modes  | 15        |
| 3.6      | Interconnect matrix                                    | 15        |
| 3.7      | Clocks and startup                                     | 17        |
| 3.8      | General-purpose inputs/outputs (GPIOs)                 | 19        |
| 3.9      | Direct memory access (DMA)                             | 19        |
| 3.10     | Interrupts and events                                  | 19        |
| 3.10.1   | Nested vectored interrupt controller (NVIC)            | 19        |
| 3.11     | Fast analog-to-digital converter (ADC)                 | 20        |
| 3.11.1   | Temperature sensor                                     | 20        |
| 3.11.2   | Internal voltage reference ( $V_{REFINT}$ )            | 20        |
| 3.11.3   | $V_{BAT}$ battery voltage monitoring                   | 21        |
| 3.12     | Digital-to-analog converter (DAC)                      | 21        |
| 3.13     | Operational amplifier (OPAMP)                          | 21        |
| 3.14     | Ultra-fast comparators (COMP)                          | 22        |
| 3.15     | Timers and watchdogs                                   | 22        |
| 3.15.1   | Advanced timer (TIM1)                                  | 23        |
| 3.15.2   | General-purpose timers (TIM2, TIM15, TIM16, TIM17)     | 23        |
| 3.15.3   | Basic timer (TIM6)                                     | 24        |

|          |   |           |
|----------|---|-----------|
| 3.15.4   | Independent watchdog (IWDG) . . . . .   | 24        |
| 3.15.5   | Window watchdog (WWDG) . . . . .  | 24        |
| 3.15.6   | SysTick timer . . . . .   | 24        |
| 3.16     | Real-time clock (RTC) and backup registers . . . . .                                    | 24        |
| 3.17     | Inter-integrated circuit interfaces (I <sup>2</sup> C) . . . . .                        | 26        |
| 3.18     | Universal synchronous/asynchronous receiver transmitter (USART) . . . . .               | 27        |
| 3.19     | Serial peripheral interfaces (SPI)/inter-integrated sound<br>interfaces (I2S) . . . . . | 27        |
| 3.20     | Touch sensing controller (TSC) . . . . .  | 28        |
| 3.21     | Infrared transmitter . . . . .  | 30        |
| 3.22     | Development support . . . . .   | 31        |
| 3.22.1   | Serial wire JTAG debug port (SWJ-DP) . . . . .  | 31        |
| <b>4</b> | <b>Pinouts and pin description . . . . .</b>  | <b>32</b> |
| <b>5</b> | <b>Memory mapping . . . . .</b>   | <b>50</b> |
| <b>6</b> | <b>Electrical characteristics . . . . .</b>   | <b>53</b> |
| 6.1      | Parameter conditions . . . . .  | 53        |
| 6.1.1    | Minimum and maximum values . . . . .  | 53        |
| 6.1.2    | Typical values . . . . .  | 53        |
| 6.1.3    | Typical curves . . . . .  | 53        |
| 6.1.4    | Loading capacitor . . . . .   | 53        |
| 6.1.5    | Pin input voltage . . . . .   | 53        |
| 6.1.6    | Power supply scheme . . . . .   | 54        |
| 6.1.7    | Current consumption measurement . . . . .   | 55        |
| 6.2      | Absolute maximum ratings . . . . .  | 56        |
| 6.3      | Operating conditions . . . . .  | 58        |
| 6.3.1    | General operating conditions . . . . .  | 58        |
| 6.3.2    | Operating conditions at power-up / power-down . . . . .                                 | 59        |
| 6.3.3    | Embedded reset and power control block characteristics . . . . .                        | 59        |
| 6.3.4    | Embedded reference voltage . . . . .  | 61        |
| 6.3.5    | Supply current characteristics . . . . .  | 61        |
| 6.3.6    | Wakeup time from low-power mode . . . . .   | 73        |
| 6.3.7    | External clock source characteristics . . . . .   | 74        |
| 6.3.8    | Internal clock source characteristics . . . . .   | 80        |

|          |   |            |
|----------|---|------------|
| 6.3.9    | PLL characteristics                         | 81         |
| 6.3.10   | Memory characteristics                      | 82         |
| 6.3.11   | EMC characteristics                         | 83         |
| 6.3.12   | Electrical sensitivity characteristics      | 84         |
| 6.3.13   | I/O current injection characteristics       | 85         |
| 6.3.14   | I/O port characteristics                    | 86         |
| 6.3.15   | NRST pin characteristics                    | 91         |
| 6.3.16   | Timer characteristics                       | 92         |
| 6.3.17   | Communications interfaces                   | 94         |
| 6.3.18   | ADC characteristics                         | 100        |
| 6.3.19   | DAC electrical specifications               | 109        |
| 6.3.20   | Comparator characteristics                  | 110        |
| 6.3.21   | Operational amplifier characteristics       | 112        |
| 6.3.22   | Temperature sensor characteristics          | 115        |
| 6.3.23   | V <sub>BAT</sub> monitoring characteristics | 115        |
| <b>7</b> | <b>Package information</b>                  | <b>116</b> |
| 7.1      | WLCSP49 package information                 | 117        |
| 7.2      | LQFP64 package information                  | 120        |
| 7.3      | LQFP48 package information                  | 123        |
| 7.4      | UFQFPN32 package information                | 127        |
| 7.5      | LQFP32 package information                  | 130        |
| 7.6      | Thermal characteristics                     | 134        |
| 7.6.1    | Reference document                          | 134        |
| 7.6.2    | Selecting the product temperature range     | 135        |
| <b>8</b> | <b>Ordering information</b>                 | <b>137</b> |
| <b>9</b> | <b>Revision history</b>                     | <b>138</b> |

## List of tables

|           |   |    |
|-----------|---|----|
| Table 1.  | Device summary . . . . .  | 1  |
| Table 2.  | STM32F301x6/8 device features and peripheral counts . . . . .                                   | 11 |
| Table 3.  | External analog supply values for analog peripherals . . . . .                                  | 14 |
| Table 4.  | STM32F301x6/8 peripheral interconnect matrix . . . . .  | 16 |
| Table 5.  | Timer feature comparison . . . . .  | 22 |
| Table 6.  | Comparison of I2C analog and digital filters . . . . .  | 26 |
| Table 7.  | STM32F301x6/8 I <sup>2</sup> C implementation . . . . .   | 26 |
| Table 8.  | USART features . . . . .  | 27 |
| Table 9.  | STM32F301x6/8 SPI/I2S implementation . . . . .  | 28 |
| Table 10. | Capacitive sensing GPIOs available on STM32F301x6/8 devices . . . . .                           | 29 |
| Table 11. | No. of capacitive sensing channels available on<br>STM32F301x6/8 devices . . . . .              | 29 |
| Table 12. | Legend/abbreviations used in the pinout table . . . . .   | 36 |
| Table 13. | STM32F301x6/8 pin definitions . . . . .   | 37 |
| Table 14. | Alternate functions for Port A . . . . .  | 44 |
| Table 15. | Alternate functions for Port B . . . . .  | 46 |
| Table 16. | Alternate functions for Port C . . . . .  | 48 |
| Table 17. | Alternate functions for Port D . . . . .  | 49 |
| Table 18. | Alternate functions for Port F . . . . .  | 49 |
| Table 19. | STM32F301x6 STM32F301x8 peripheral register boundary addresses . . . . .                        | 51 |
| Table 20. | Voltage characteristics . . . . .   | 56 |
| Table 21. | Current characteristics . . . . .   | 57 |
| Table 22. | Thermal characteristics . . . . .   | 57 |
| Table 23. | General operating conditions . . . . .  | 58 |
| Table 24. | Operating conditions at power-up / power-down . . . . .   | 59 |
| Table 25. | Embedded reset and power control block characteristics . . . . .                                | 59 |
| Table 26. | Programmable voltage detector characteristics . . . . .   | 60 |
| Table 27. | Embedded internal reference voltage . . . . .   | 61 |
| Table 28. | Internal reference voltage calibration values . . . . .   | 61 |
| Table 29. | Typical and maximum current consumption from VDD supply at VDD = 3.6V . . . . .                 | 62 |
| Table 30. | Typical and maximum current consumption from the V <sub>DDA</sub> supply . . . . .              | 64 |
| Table 31. | Typical and maximum V <sub>DD</sub> consumption in Stop and Standby modes . . . . .             | 64 |
| Table 32. | Typical and maximum V <sub>DDA</sub> consumption in Stop and Standby modes . . . . .            | 65 |
| Table 33. | Typical and maximum current consumption from V <sub>BAT</sub> supply . . . . .                  | 65 |
| Table 34. | Typical current consumption in Run mode, code with data processing running from Flash . . . . . | 67 |
| Table 35. | Typical current consumption in Sleep mode, code running from Flash or RAM . . . . .             | 68 |
| Table 36. | Switching output I/O current consumption . . . . .  | 70 |
| Table 37. | Peripheral current consumption . . . . .  | 72 |
| Table 38. | Low-power mode wakeup timings . . . . .   | 73 |
| Table 39. | High-speed external user clock characteristics . . . . .  | 74 |
| Table 40. | Low-speed external user clock characteristics . . . . .   | 75 |
| Table 41. | HSE oscillator characteristics . . . . .  | 76 |
| Table 42. | LSE oscillator characteristics (f <sub>LSE</sub> = 32.768 kHz) . . . . .                        | 78 |
| Table 43. | HSI oscillator characteristics . . . . .  | 80 |
| Table 44. | LSI oscillator characteristics . . . . .  | 81 |
| Table 45. | PLL characteristics . . . . .   | 81 |
| Table 46. | Flash memory characteristics . . . . .  | 82 |
| Table 47. | Flash memory endurance and data retention . . . . .   | 82 |

|           |   |     |
|-----------|---|-----|
| Table 48. | EMS characteristics   | 83  |
| Table 49. | EMI characteristics   | 84  |
| Table 50. | ESD absolute maximum ratings  | 84  |
| Table 51. | Electrical sensitivities  | 85  |
| Table 52. | I/O current injection susceptibility  | 85  |
| Table 53. | I/O static characteristics  | 86  |
| Table 54. | Output voltage characteristics  | 89  |
| Table 55. | I/O AC characteristics  | 90  |
| Table 56. | NRST pin characteristics  | 91  |
| Table 57. | TIMx characteristics  | 92  |
| Table 58. | IWDG min/max timeout period at 40 kHz (LSI)   | 93  |
| Table 59. | WWDG min-max timeout value @72 MHz (PCLK)   | 93  |
| Table 60. | I2C analog filter characteristics   | 94  |
| Table 61. | SPI characteristics   | 95  |
| Table 62. | I2S characteristics   | 97  |
| Table 63. | ADC characteristics   | 100 |
| Table 64. | Maximum ADC RAIN  | 102 |
| Table 65. | ADC accuracy - limited test conditions  | 104 |
| Table 66. | ADC accuracy  | 106 |
| Table 67. | ADC accuracy  | 107 |
| Table 68. | DAC characteristics   | 109 |
| Table 69. | Comparator characteristics  | 110 |
| Table 70. | Operational amplifier characteristics   | 112 |
| Table 71. | TS characteristics  | 115 |
| Table 72. | Temperature sensor calibration values   | 115 |
| Table 73. | V <sub>BAT</sub> monitoring characteristics   | 115 |
| Table 74. | WLCSP49 - 49-pin, 3.417 x 3.151 mm, 0.4 mm pitch wafer level chip scale package mechanical data | 118 |
| Table 75. | WLCSP49 recommended PCB design rules (0.4 mm pitch)   | 119 |
| Table 76. | LQFP64 - 64-pin, 10 x 10 mm low-profile quad flat package mechanical data                       | 120 |
| Table 77. | LQFP48 - 48-pin, 7 x 7 mm low-profile quad flat package mechanical data                         | 124 |
| Table 78. | UFQFPN32 - 32-pin, 5x5 mm, 0.5 mm pitch ultra thin fine pitch quad flat package mechanical data | 128 |
| Table 79. | LQFP32 - 32-pin, 7 x 7 mm low-profile quad flat package mechanical data                         | 131 |
| Table 80. | Package thermal characteristics   | 134 |
| Table 81. | Ordering information scheme   | 137 |
| Table 82. | Document revision history   | 138 |

## List of figures

|            |   |     |
|------------|---|-----|
| Figure 1.  | STM32F301x6/8 block diagram   | 12  |
| Figure 2.  | Clock tree  | 18  |
| Figure 3.  | Infrared transmitter  | 30  |
| Figure 4.  | STM32F301x6/8 UFQFN32 pinout  | 32  |
| Figure 5.  | STM32F301x6/8 LQFP32 pinout   | 32  |
| Figure 6.  | STM32F301x6/8 LQFP48 pinout   | 33  |
| Figure 7.  | STM32F301x6/8 LQFP64 pinout   | 34  |
| Figure 8.  | STM32F301x6/8 WLCSP49 ballout   | 35  |
| Figure 9.  | STM32F301x6/8 memory mapping  | 50  |
| Figure 10. | Pin loading conditions  | 53  |
| Figure 11. | Pin input voltage   | 53  |
| Figure 12. | Power supply scheme   | 54  |
| Figure 13. | Current consumption measurement scheme  | 55  |
| Figure 14. | Typical $V_{BAT}$ current consumption (LSE and RTC ON/LSEDRV[1:0] = '00')                             | 66  |
| Figure 15. | High-speed external clock source AC timing diagram  | 74  |
| Figure 16. | Low-speed external clock source AC timing diagram   | 75  |
| Figure 17. | Typical application with an 8 MHz crystal   | 77  |
| Figure 18. | Typical application with a 32.768 kHz crystal   | 79  |
| Figure 19. | HSI oscillator accuracy characterization results for soldered parts                                   | 80  |
| Figure 20. | TC and TTA I/O input characteristics - CMOS port  | 87  |
| Figure 21. | TC and TTA I/O input characteristics - TTL port   | 87  |
| Figure 22. | Five volt tolerant (FT and FTf) I/O input characteristics - CMOS port                                 | 88  |
| Figure 23. | Five volt tolerant (FT and FTf) I/O input characteristics - TTL port                                  | 88  |
| Figure 24. | I/O AC characteristics definition   | 91  |
| Figure 25. | Recommended NRST pin protection   | 92  |
| Figure 26. | SPI timing diagram - slave mode and CPHA = 0  | 96  |
| Figure 27. | SPI timing diagram - slave mode and CPHA = 1 <sup>(1)</sup>   | 96  |
| Figure 28. | SPI timing diagram - master mode <sup>(1)</sup>   | 97  |
| Figure 29. | I <sup>2</sup> S slave timing diagram (Philips protocol) <sup>(1)</sup>                               | 99  |
| Figure 30. | I <sup>2</sup> S master timing diagram (Philips protocol) <sup>(1)</sup>                              | 99  |
| Figure 31. | ADC typical current consumption in single-ended and differential modes                                | 102 |
| Figure 32. | ADC accuracy characteristics  | 108 |
| Figure 33. | Typical connection diagram using the ADC  | 108 |
| Figure 34. | 12-bit buffered /non-buffered DAC   | 110 |
| Figure 35. | Maximum $V_{REFINT}$ scaler startup time from power down  | 111 |
| Figure 36. | OPAMP Voltage Noise versus Frequency  | 114 |
| Figure 37. | WLCSP49 - 49-pin, 3.417 x 3.151 mm, 0.4 mm pitch wafer level chip scale package outline               | 117 |
| Figure 38. | WLCSP49 - 49-pin, 3.417 x 3.151 mm, 0.4 mm pitch wafer level chip scale package recommended footprint | 118 |
| Figure 39. | WLCSP49 marking example (package top view)  | 119 |
| Figure 40. | LQFP64 - 64-pin, 10 x 10 mm low-profile quad flat package outline                                     | 120 |
| Figure 41. | LQFP64 - 64-pin, 10 x 10 mm low-profile quad flat package recommended footprint                       | 121 |
| Figure 42. | LQFP64 marking example (package top view)   | 122 |
| Figure 43. | LQFP48 - 48-pin, 7 x 7 mm low-profile quad flat package outline                                       | 123 |
| Figure 44. | LQFP48 - 48-pin, 7 x 7 mm low-profile quad flat package recommended footprint                         | 125 |

---

|            |   |     |
|------------|---|-----|
| Figure 45. | LQFP48 marking example (package top view) . . . . .   | 126 |
| Figure 46. | UFQFPN32 - 32-pin, 5x5 mm, 0.5 mm pitch ultra thin fine pitch quad flat package outline . . . . .               | 127 |
| Figure 47. | UFQFPN32 - 32-pin, 5x5 mm, 0.5 mm pitch ultra thin fine pitch quad flat package recommended footprint . . . . . | 128 |
| Figure 48. | UFQFPN32 marking example (package top view) . . . . .   | 129 |
| Figure 49. | LQFP32 - 32-pin, 7 x 7 mm low-profile quad flat package outline . . . . .                                       | 130 |
| Figure 50. | LQFP32 - 32-pin, 7 x 7 mm low-profile quad flat package recommended footprint . . . . .                         | 132 |
| Figure 51. | LQFP32 marking example (package top view) . . . . .   | 133 |



# 1 Introduction

This datasheet provides the ordering information and mechanical device characteristics of the STM32F301x6/8 microcontrollers.

This datasheet should be read in conjunction with the STM32F301x6/8 and STM32F318x8 advanced Arm<sup>®</sup>-based 32-bit MCUs reference manual (RM0366). The reference manual is available from the STMicroelectronics website [www.st.com](http://www.st.com).

For information on the Arm<sup>®(a)</sup> Cortex<sup>®</sup>-M4 core, refer to the Cortex<sup>®</sup>-M4 Technical Reference Manual, available from Arm website [www.arm.com](http://www.arm.com).

The logo for Arm, consisting of the word "arm" in a bold, lowercase, sans-serif font.

---

a. Arm is a registered trademark of Arm Limited (or its subsidiaries) in the US and/or elsewhere.

## 2 Description

The STM32F301x6/8 family is based on the high-performance Arm<sup>®</sup> Cortex<sup>®</sup>-M4 32-bit RISC core operating at a frequency of up to 72 MHz and embedding a floating point unit (FPU). The family incorporates high-speed embedded memories (up to 64 Kbytes of Flash memory, 16 Kbytes of SRAM), and an extensive range of enhanced I/Os and peripherals connected to two APB buses.

The devices offer a fast 12-bit ADC (5 Msps), three comparators, an operational amplifier, up to 18 capacitive sensing channels, one DAC channel, a low-power RTC, one general-purpose 32-bit timer, one timer dedicated to motor control, and up to three general-purpose 16-bit timers, and one timer to drive the DAC. They also feature standard and advanced communication interfaces: three I<sup>2</sup>Cs, up to three USARTs, up to two SPIs with multiplexed full-duplex I2S, and an infrared transmitter.

The STM32F301x6/8 family operates in the –40 to +85°C and –40 to +105°C temperature ranges from at a 2.0 to 3.6 V power supply. A comprehensive set of power-saving mode allows the design of low-power applications.

The STM32F301x6/8 family offers devices in 32-, 48-, 49- and 64-pin packages.

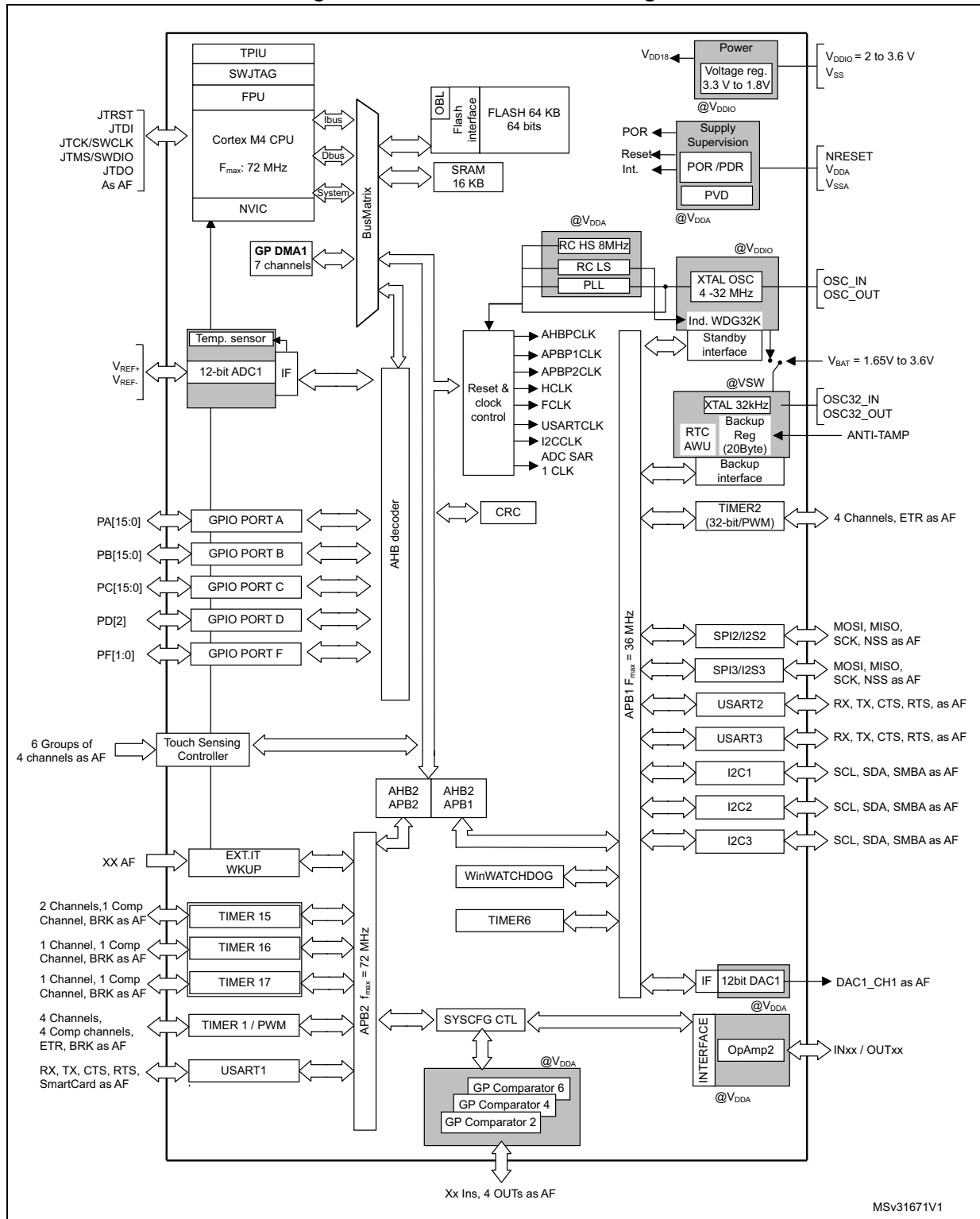
The set of included peripherals changes with the device chosen.

**Table 2. STM32F301x6/8 device features and peripheral counts**

| Peripheral                  |  | STM32F301Kx   |    | STM32F301Cx        |    | STM32F301Rx |    |
|-----------------------------|--|---|----|--------------------|----|-------------|----|
|                             |  |   |    |                    |    |             |    |
| Flash (Kbytes)              |  | 32  | 64 | 32                 | 64 | 32          | 64 |
| SRAM (Kbytes)               |  | 16  |    |                    |    |             |    |
| Timers                      | Advanced control                         | 1 (16-bit)  |    |                    |    |             |    |
|                             | General purpose                          | 3 (16-bit)<br>1 (32 bit)  |    |                    |    |             |    |
|                             | Basic                                    | 1   |    |                    |    |             |    |
|                             | SysTick timer                            | 1   |    |                    |    |             |    |
|                             | Watchdog timers<br>(independent, window) | 2   |    |                    |    |             |    |
|                             | PWM channels (all) <sup>(1)</sup>        | 16  |    | 18                 |    |             |    |
|                             | PWM channels<br>(except complementary)   | 10  |    | 12                 |    |             |    |
| Comm. interfaces            | SPI/I2S                                  | 2   |    |                    |    |             |    |
|                             | I <sup>2</sup> C                         | 3   |    |                    |    |             |    |
|                             | USART                                    | 2   |    | 3                  |    |             |    |
| GPIOs                       | Normal I/Os (TC, TTa)                    | 9 (UFQFPN32)<br>10 (LQFP32)   |    | 20                 |    | 26          |    |
|                             | 5-Volt tolerant I/Os (FT, FT1)           | 15  |    | 17                 |    | 25          |    |
| DMA channels                |  | 7   |    |                    |    |             |    |
| Capacitive sensing channels |  | 18  |    |                    |    |             |    |
| 12-bit ADC                  |  | 1   |    | 1                  |    | 1           |    |
| Number of channels          |  | 8   |    | 11                 |    | 15          |    |
| 12-bit DAC channels         |  | 1   |    |                    |    |             |    |
| Analog comparator           |  | 2   |    | 3                  |    |             |    |
| Operational amplifier       |  | 1   |    |                    |    |             |    |
| CPU frequency               |  | 72 MHz  |    |                    |    |             |    |
| Operating voltage           |  | 2.0 to 3.6 V  |    |                    |    |             |    |
| Operating temperature       |  | Ambient operating temperature:<br>- 40 to 85°C / - 40 to 105°C<br>Junction temperature: - 40 to 125°C |    |                    |    |             |    |
| Packages                    |  | UFQFPN32<br>LQFP32  |    | LQFP48,<br>WLCSP49 |    | LQFP64      |    |

1. This total number considers also the PWMs generated on the complementary output channels.

Figure 1. STM32F301x6/8 block diagram



## 3 Functional overview

### 3.1 Arm<sup>®</sup> Cortex<sup>®</sup>-M4 core with FPU, embedded Flash and SRAM

The Arm<sup>®</sup> Cortex<sup>®</sup>-M4 processor with FPU is the latest generation of Arm processors for embedded systems. It was developed to provide a low-cost platform that meets the needs of MCU implementation, with a reduced pin count and low-power consumption, while delivering outstanding computational performance and an advanced response to interrupts.

The Arm<sup>®</sup> Cortex<sup>®</sup>-M4 32-bit RISC processor with FPU features exceptional code-efficiency, delivering the high-performance expected from an Arm core in the memory size usually associated with 8- and 16-bit devices.

The processor supports a set of DSP instructions which allow efficient signal processing and complex algorithm execution. Its single-precision FPU speeds up software development by using metalanguage development tools while avoiding saturation.

With its embedded Arm core, the STM32F301x6/8 family is compatible with all Arm tools and software.

*Figure 1* shows the general block diagram of the STM32F301x6/8 family devices.

### 3.2 Memories

#### 3.2.1 Embedded Flash memory

All STM32F301x6/8 devices feature up to 64 Kbytes of embedded Flash memory available for storing programs and data. The Flash memory access time is adjusted to the CPU clock frequency (0 wait state from 0 to 24 MHz, 1 wait state from 24 to 48 MHz and 2 wait states above).

#### 3.2.2 Embedded SRAM

STM32F301x6/8 devices feature 16 Kbytes of embedded SRAM.

### 3.3 Boot modes

At startup, BOOT0 pin and BOOT1 option bit are used to select one of three boot options:

- Boot from user Flash
- Boot from system memory
- Boot from embedded SRAM

The boot loader is located in system memory. It is used to reprogram the Flash memory by using USART1 (PA9/PA10) and USART2 (PA2/PA3).

## 3.4 Cyclic redundancy check calculation unit (CRC)

The CRC (cyclic redundancy check) calculation unit is used to get a CRC code using a configurable generator polynomial value and size.

Among other applications, CRC-based techniques are used to verify data transmission or storage integrity. In the scope of the EN/IEC 60335-1 standard, they offer a means of verifying the Flash memory integrity. The CRC calculation unit helps compute a signature of the software during runtime, to be compared with a reference signature generated at linktime and stored at a given memory location.

## 3.5 Power management

### 3.5.1 Power supply schemes

- $V_{SS}$ ,  $V_{DD} = 2.0$  to  $3.6$  V: external power supply for I/Os and the internal regulator. It is provided externally through  $V_{DD}$  pins.
- $V_{SSA}$ ,  $V_{DDA} = 2.0$  to  $3.6$  V: external analog power supply for ADC, DAC, comparators, operational amplifier, reset blocks, RCs and PLL. The minimum voltage to be applied to  $V_{DDA}$  differs from one analog peripheral to another. [Table 3](#) provides the summary of the  $V_{DDA}$  ranges for analog peripherals. The  $V_{DDA}$  voltage level must always be greater than or equal to the  $V_{DD}$  voltage level and must be provided first.

**Table 3. External analog supply values for analog peripherals**

| Analog peripheral | Minimum $V_{DDA}$ supply | Maximum $V_{DDA}$ supply |
|-------------------|--------------------------|--------------------------|
| ADC/COMP          | 2.0 V                    | 3.6 V                    |
| DAC/OPAMP         | 2.4 V                    | 3.6 V                    |

- $V_{BAT} = 1.65$  to  $3.6$  V: power supply for RTC, external clock 32 kHz oscillator and backup registers (through power switch) when  $V_{DD}$  is not present.

### 3.5.2 Power supply supervisor

The device has an integrated power-on reset (POR) and power-down reset (PDR) circuits. They are always active, and ensure proper operation above a threshold of 2 V. The device remains in reset mode when the monitored supply voltage is below a specified threshold,  $V_{POR/PDR}$ , without the need for an external reset circuit.

- The POR monitors only the  $V_{DD}$  supply voltage. During the startup phase it is required that  $V_{DDA}$  should arrive first and be greater than or equal to  $V_{DD}$ .
- The PDR monitors both the  $V_{DD}$  and  $V_{DDA}$  supply voltages, however the  $V_{DDA}$  power supply supervisor can be disabled (by programming a dedicated Option bit) to reduce the power consumption if the application design ensures that  $V_{DDA}$  is higher than or equal to  $V_{DD}$ .

The device features an embedded programmable voltage detector (PVD) that monitors the  $V_{DD}$  power supply and compares it to the  $V_{PVD}$  threshold. An interrupt can be generated when  $V_{DD}$  drops below the  $V_{PVD}$  threshold and/or when  $V_{DD}$  is higher than the  $V_{PVD}$  threshold. The interrupt service routine can then generate a warning message and/or put the MCU into a safe state. The PVD is enabled by software.

### 3.5.3 Voltage regulator

The regulator has three operation modes: main (MR), low-power (LPR), and power-down.

- The MR mode is used in the nominal regulation mode (Run)
- The LPR mode is used in Stop mode.
- The power-down mode is used in Standby mode: the regulator output is in high impedance, and the kernel circuitry is powered down thus inducing zero consumption.

The voltage regulator is always enabled after reset. It is disabled in Standby mode.

### 3.5.4 Low-power modes

The STM32F301x6/8 supports three low-power modes to achieve the best compromise between low power consumption, short startup time and available wakeup sources:

- Sleep mode  
In Sleep mode, only the CPU is stopped. All peripherals continue to operate and can wake up the CPU when an interrupt/event occurs.
- Stop mode  
Stop mode achieves the lowest power consumption while retaining the content of SRAM and registers. All clocks in the 1.8 V domain are stopped, the PLL, the HSI RC and the HSE crystal oscillators are disabled. The voltage regulator can also be put either in normal or in low-power mode.  
The device can be woken up from Stop mode by any of the EXTI line. The EXTI line source can be one of the 16 external lines, the PVD output, the RTC alarm, COMPx, I2C or USARTx.
- Standby mode  
The Standby mode is used to achieve the lowest power consumption. The internal voltage regulator is switched off so that the entire 1.8 V domain is powered off. The PLL, the HSI RC and the HSE crystal oscillators are also switched off. After entering Standby mode, SRAM and register contents are lost except for registers in the Backup domain and Standby circuitry.  
The device exits Standby mode when an external reset (NRST pin), an IWDG reset, a rising edge on the WKUP pin, or an RTC alarm occurs.

*Note: The RTC, the IWDG, and the corresponding clock sources are not stopped by entering Stop or Standby mode.*

## 3.6 Interconnect matrix

Several peripherals have direct connections between them. This allows autonomous communication between peripherals, saving CPU resources thus power supply consumption. In addition, these hardware connections allow fast and predictable latency.

Table 4. STM32F301x6/8 peripheral interconnect matrix

| Interconnect source   | Interconnect destination | Interconnect action  |
|---|--------------------------|--|
| TIMx  | TIMx                     | Timers synchronization or chaining                             |
|   | ADC1<br>DAC1             | Conversion triggers  |
|   | DMA                      | Memory to memory transfer trigger                              |
|   | Comp <sub>x</sub>        | Comparator output blanking                                     |
| COMP <sub>x</sub>   | TIMx                     | Timer input: OCREF_CLR input, input capture                    |
| ADC1  | TIM1                     | Timer triggered by analog watchdog                             |
| GPIO<br>RTCCLK<br>HSE/32<br>MC0                             | TIM16                    | Clock source used as input channel for HSI and LSI calibration |
| CSS<br>CPU (hard fault)<br>COMP <sub>x</sub><br>PVD<br>GPIO | TIM1<br>TIM15, 16, 17    | Timer break  |
| GPIO  | TIMx                     | External trigger, timer break                                  |
|   | ADC1<br>DAC1             | Conversion external trigger                                    |
| DAC1  | COMP <sub>x</sub>        | Comparator inverting input                                     |

*Note:* For more details about the interconnect actions, refer to the corresponding sections in the STM32F301x6/8 and STM32F318x8 reference manual RM0366.



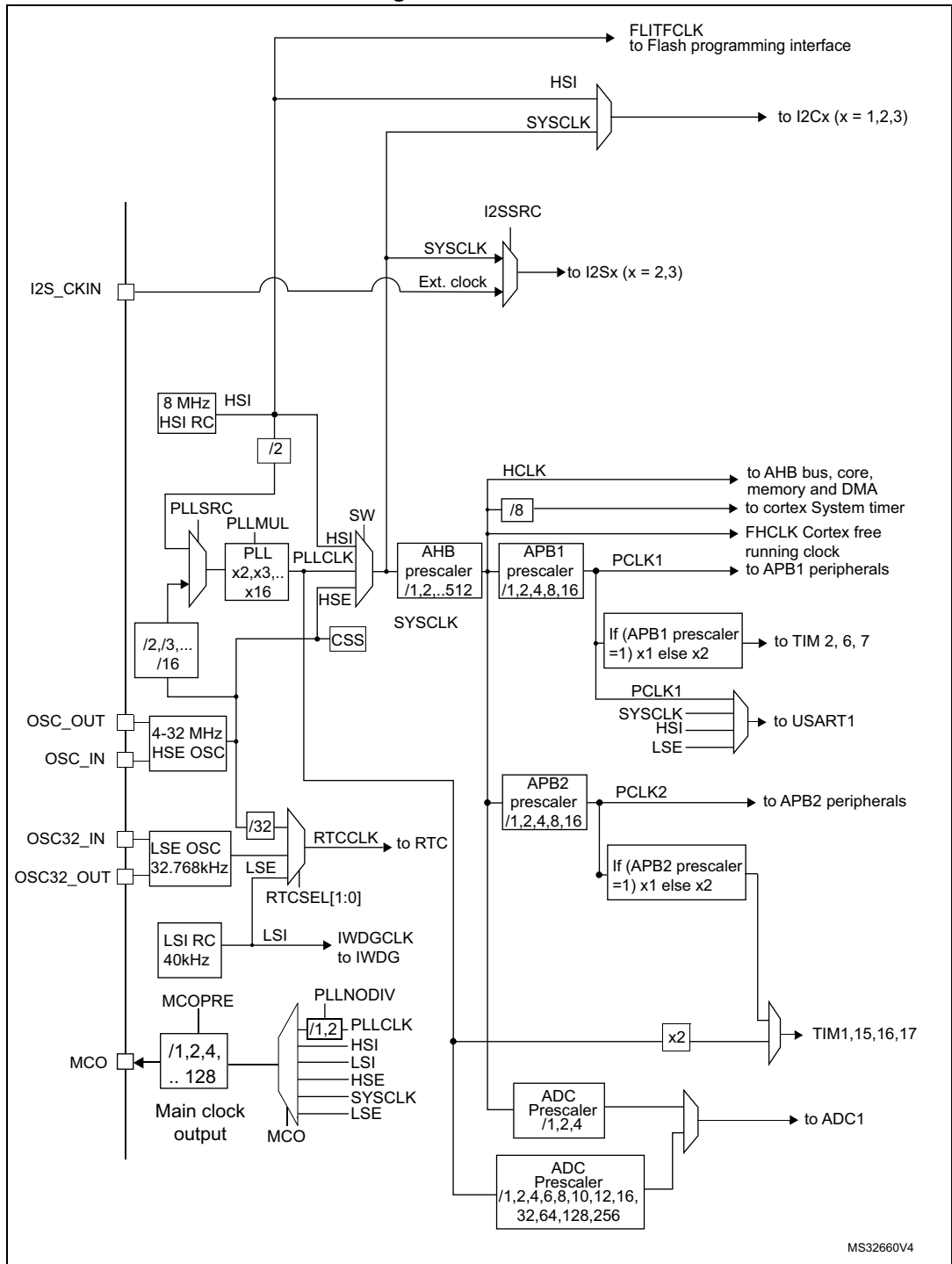
## 3.7 Clocks and startup

System clock selection is performed on startup, however the internal RC 8 MHz oscillator is selected as default CPU clock on reset. An external 4-32 MHz clock can be selected, in which case it is monitored for failure. If failure is detected, the system automatically switches back to the internal RC oscillator. A software interrupt is generated if enabled. Similarly, full interrupt management of the PLL clock entry is available when necessary (for example with failure of an indirectly used external oscillator).

Several prescalers allow to configure the AHB frequency, the high speed APB (APB2) and the low speed APB (APB1) domains. The maximum frequency of the AHB and the high speed APB domains is 72 MHz, while the maximum allowed frequency of the low speed APB domain is 36 MHz.

The advanced clock controller clocks the core and all peripherals using a single crystal or oscillator. To achieve audio class performance, an audio crystal can be used.

Figure 2. Clock tree



## 3.8 General-purpose inputs/outputs (GPIOs)

Each of the GPIO pins can be configured by software as output (push-pull or open-drain), as input (with or without pull-up or pull-down) or as peripheral alternate function. Most of the GPIO pins are shared with digital or analog alternate functions. All GPIOs are high current capable except for analog inputs.

The I/Os alternate function configuration can be locked if needed following a specific sequence in order to avoid spurious writing to the I/Os registers.

Fast I/O handling allows I/O toggling up to 36 MHz.

## 3.9 Direct memory access (DMA)

The flexible general-purpose DMA is able to manage memory-to-memory, peripheral-to-memory and memory-to-peripheral transfers. The DMA controller supports circular buffer management, avoiding the generation of interrupts when the controller reaches the end of the buffer.

Each of the 7 DMA channels is connected to dedicated hardware DMA requests, with software trigger support for each channel. Configuration is done by software and transfer sizes between source and destination are independent.

The DMA can be used with the main peripherals: SPI, I<sup>2</sup>C, USART, timers, DAC and ADC.

## 3.10 Interrupts and events

### 3.10.1 Nested vectored interrupt controller (NVIC)

The STM32F301x6/8 devices embed a nested vectored interrupt controller (NVIC) able to handle up to 60 maskable interrupt channels and 16 priority levels.

The NVIC benefits are the following:

- Closely coupled NVIC gives low latency interrupt processing
- Interrupt entry vector table address passed directly to the core
- Closely coupled NVIC core interface
- Allows early processing of interrupts
- Processing of late arriving higher priority interrupts
- Support for tail chaining
- Processor state automatically saved
- Interrupt entry restored on interrupt exit with no instruction overhead

The NVIC hardware block provides flexible interrupt management features with minimal interrupt latency.

## 3.11 Fast analog-to-digital converter (ADC)

An analog-to-digital converter, with selectable resolution between 12 and 6 bit, is embedded in the STM32F301x6/8 family devices. The ADC has up to 15 external channels performing conversions in single-shot or scan modes. Channels can be configured to be either single-ended input or differential input. In scan mode, automatic conversion is performed on a selected group of analog inputs.

Additional logic functions embedded in the ADC interface allow:

- Simultaneous sample and hold
- Single-shunt phase current reading techniques.

The ADC can be served by the DMA controller.

Three analog watchdogs are available. The analog watchdog feature allows very precise monitoring of the converted voltage of one, some or all selected channels. An interrupt is generated when the converted voltage is outside the programmed thresholds.

The events generated by the general-purpose timers (TIMx) and the advanced-control timer (TIM1) can be internally connected to the ADC start trigger and injection trigger, respectively, to allow the application to synchronize A/D conversion and timers.

### 3.11.1 Temperature sensor

The temperature sensor (TS) generates a voltage  $V_{\text{SENSE}}$  that varies linearly with temperature.

The temperature sensor is internally connected to the ADC1\_IN16 input channel which is used to convert the sensor output voltage into a digital value.

The sensor provides good linearity but it has to be calibrated to obtain good overall accuracy of the temperature measurement. As the offset of the temperature sensor varies from chip to chip due to process variation, the uncalibrated internal temperature sensor is suitable for applications that detect temperature changes only.

To improve the accuracy of the temperature sensor measurement, each device is individually factory-calibrated by ST. The temperature sensor factory calibration data are stored by ST in the system memory area, accessible in read-only mode.

### 3.11.2 Internal voltage reference ( $V_{\text{REFINT}}$ )

The internal voltage reference ( $V_{\text{REFINT}}$ ) provides a stable (bandgap) voltage output for the ADC and Comparators.  $V_{\text{REFINT}}$  is internally connected to the ADC1\_IN18 input channel. The precise voltage of  $V_{\text{REFINT}}$  is individually measured for each part by ST during production test and stored in the system memory area. It is accessible in read-only mode.

### 3.11.3 $V_{BAT}$ battery voltage monitoring

This embedded hardware feature allows the application to measure the  $V_{BAT}$  battery voltage using the internal ADC channel ADC1\_IN17. As the  $V_{BAT}$  voltage may be higher than  $V_{DDA}$ , and thus outside the ADC input range, the  $V_{BAT}$  pin is internally connected to a bridge divider by 2. As a consequence, the converted digital value is half the  $V_{BAT}$  voltage.

## 3.12 Digital-to-analog converter (DAC)

One 12-bit buffered DAC channel (DAC1\_OUT1) can be used to convert digital signals into analog voltage signal outputs. The chosen design structure is composed of integrated resistor strings and an amplifier in inverting configuration.

This digital interface supports the following features:

- One DAC output channel
- 8-bit or 12-bit monotonic output
- Left or right data alignment in 12-bit mode
- Synchronized update capability
- Noise-wave generation
- Triangular-wave generation
- DMA capability
- External triggers for conversion

## 3.13 Operational amplifier (OPAMP)

The STM32F301x6/8 devices embed one operational amplifier with external or internal follower routing and PGA capability (or even amplifier and filter capability with external components). When the operational amplifier is selected, an external ADC channel is used to enable output measurement.

The operational amplifier features:

- 8.2 MHz bandwidth
- 0.5 mA output capability
- Rail-to-rail input/output
- In PGA mode, the gain can be programmed to be 2, 4, 8 or 16.

### 3.14 Ultra-fast comparators (COMP)

The STM32F301x6/8 devices embed up to three ultra-fast rail-to-rail comparators which offer the features below:

- Programmable internal or external reference voltage
- Selectable output polarity.

The reference voltage can be one of the following:

- External I/O
- DAC output
- Internal reference voltage or submultiple (1/4, 1/2, 3/4). Refer to [Table 27: Embedded internal reference voltage](#) for the value and precision of the internal reference voltage.

All comparators can wake up from STOP mode, and also generate interrupts and breaks for the timers.

### 3.15 Timers and watchdogs

The STM32F301x6/8 devices include advanced control timer, up to general-purpose timers, basic timer, two watchdog timers and a SysTick timer. [Table 5](#) compares the features of the advanced control, general purpose and basic timers.

**Table 5. Timer feature comparison**

| Timer type       | Timer  | Counter resolution | Counter type      | Prescaler factor                | DMA request generation | Capture/compare Channels | Complementary outputs |
|------------------|--|--------------------|-------------------|---------------------------------|------------------------|--------------------------|-----------------------|
| Advanced control | TIM1 <sup>(1)</sup>                            | 16-bit             | Up, Down, Up/Down | Any integer between 1 and 65536 | Yes                    | 4                        | Yes                   |
| General-purpose  | TIM2   | 32-bit             | Up, Down, Up/Down | Any integer between 1 and 65536 | Yes                    | 4                        | No                    |
|                  | TIM15 <sup>(1)</sup>                           | 16-bit             | Up                | Any integer between 1 and 65536 | Yes                    | 2                        | 1                     |
|                  | TIM16 <sup>(1)</sup> ,<br>TIM17 <sup>(1)</sup> | 16-bit             | Up                | Any integer between 1 and 65536 | Yes                    | 1                        | 1                     |
| Basic            | TIM6   | 16-bit             | Up                | Any integer between 1 and 65536 | Yes                    | 0                        | No                    |

1. TIM1/15/16/17 can be clocked from the PLL running at 144 MHz when the system clock source is the PLL and AHB or APB2 subsystem clocks are not divided by more than 2 cumulatively.

### 3.15.1 Advanced timer (TIM1)

The advanced-control timer can each be seen as a three-phase PWM multiplexed on 6 channels. They have complementary PWM outputs with programmable inserted dead-times. They can also be seen as complete general-purpose timers. The 4 independent channels can be used for:

- Input capture
- Output compare
- PWM generation (edge or center-aligned modes) with full modulation capability (0-100%)
- One-pulse mode output

In debug mode, the advanced-control timer counter can be frozen and the PWM outputs disabled to turn off any power switches driven by these outputs.

Many features are shared with those of the general-purpose TIM timers (described in [Section 3.15.2](#) using the same architecture, so the advanced-control timers can work together with the TIM timers via the Timer Link feature for synchronization or event chaining.

### 3.15.2 General-purpose timers (TIM2, TIM15, TIM16, TIM17)

There are up to four synchronizable general-purpose timers embedded in the STM32F301x6/8 devices (see [Table 5](#) for differences). Each general-purpose timer can be used to generate PWM outputs, or act as a simple time base.

#### TIM2

TIM2 has a 32-bit auto-reload up/downcounter and 32-bit prescaler

It features 4 independent channels for input capture/output compare, PWM or one-pulse mode output. It can work together, or with the other general-purpose timers via the Timer Link feature for synchronization or event chaining.

The counter can be frozen in debug mode.

It has independent DMA request generation and supports quadrature encoders.

#### TIM15, TIM16 and TIM 17

These three timers general-purpose timers with mid-range features:

They have 16-bit auto-reload upcounters and 16-bit prescalers.

- TIM15 has 2 channels and 1 complementary channel
- TIM16 and TIM17 have 1 channel and 1 complementary channel

All channels can be used for input capture/output compare, PWM or one-pulse mode output.

The timers can work together via the Timer Link feature for synchronization or event chaining. The timers have independent DMA request generation.

The counters can be frozen in debug mode.

### 3.15.3 Basic timer (TIM6)

This timer is mainly used for DAC trigger generation. It can also be used as a generic 16-bit time base.

### 3.15.4 Independent watchdog (IWDG)

The independent watchdog is based on a 12-bit downcounter and 8-bit prescaler. It is clocked from an independent 40 kHz internal RC and as it operates independently from the main clock, it can operate in Stop and Standby modes. It can be used either as a watchdog to reset the device when a problem occurs, or as a free running timer for application timeout management. It is hardware or software configurable through the option byte. The counter can be frozen in debug mode.

### 3.15.5 Window watchdog (WWDG)

The window watchdog is based on a 7-bit downcounter that can be set as free running. It can be used as a watchdog to reset the device when a problem occurs. It is clocked from the main clock. It has an early warning interrupt capability and the counter can be frozen in debug mode.

### 3.15.6 SysTick timer

This timer is dedicated to real-time operating systems, but could also be used as a standard down counter. It features:

- A 24-bit down counter
- Autoreload capability
- Maskable system interrupt generation when the counter reaches 0.
- Programmable clock source

## 3.16 Real-time clock (RTC) and backup registers

The RTC and the 20 backup registers are supplied through a switch that takes power from either the  $V_{DD}$  supply when present or the VBAT pin. The backup registers are five 32-bit registers used to store 20 byte of user application data when  $V_{DD}$  power is not present.

They are not reset by a system or power reset, or when the device wakes up from Standby mode.



The RTC is an independent BCD timer/counter. It supports the following features:

- Calendar with subsecond, seconds, minutes, hours (12 or 24 format), week day, date, month, year, in BCD (binary-coded decimal) format.
- Automatic correction for 28, 29 (leap year), 30, and 31 days of the month.
- Two programmable alarms with wake up from Stop and Standby mode capability.
- On-the-fly correction from 1 to 32767 RTC clock pulses. This can be used to synchronize it with a master clock.
- Digital calibration circuit with 1 ppm resolution, to compensate for quartz crystal inaccuracy.
- Two anti-tamper detection pins with programmable filter. The MCU can be woken up from Stop and Standby modes on tamper event detection.
- Timestamp feature which can be used to save the calendar content. This function can be triggered by an event on the timestamp pin, or by a tamper event. The MCU can be woken up from Stop and Standby modes on timestamp event detection.
- 17-bit Auto-reload counter for periodic interrupt with wakeup from STOP/STANDBY capability.

The RTC clock sources can be:

- A 32.768 kHz external crystal
- A resonator or oscillator
- The internal low-power RC oscillator (typical frequency of 40 kHz)
- The high-speed external clock divided by 32.

### 3.17 Inter-integrated circuit interfaces (I<sup>2</sup>C)

The devices feature three I<sup>2</sup>C bus interfaces which can operate in multimaster and slave mode. Each I2C interface can support standard (up to 100 kHz), fast (up to 400 kHz) and fast mode + (up to 1 MHz) modes.

All I<sup>2</sup>C interfaces support 7-bit and 10-bit addressing modes, multiple 7-bit slave addresses (2 addresses, 1 with configurable mask). They also include programmable analog and digital noise filters.

**Table 6. Comparison of I2C analog and digital filters**

| -                                | Analog filter   | Digital filter   |
|----------------------------------|---|--|
| Pulse width of suppressed spikes | ≥ 50 ns   | Programmable length from 1 to 15 I2C peripheral clocks                             |
| Benefits                         | Available in Stop mode                                | 1. Extra filtering capability vs. standard requirements.<br>2. Stable length       |
| Drawbacks                        | Variations depending on temperature, voltage, process | Wakeup from Stop on address match is not available when digital filter is enabled. |

In addition, it provides hardware support for SMBUS 2.0 and PMBUS 1.1: ARP capability, Host notify protocol, hardware CRC (PEC) generation/verification, timeouts verifications and ALERT protocol management. It also has a clock domain independent from the CPU clock, allowing the I2Cx (x=1,3) to wake up the MCU from Stop mode on address match.

The I2C interfaces can be served by the DMA controller.

Refer to [Table 7](#) for the features available in I2C1, I2C2 and I2C3.

**Table 7. STM32F301x6/8 I<sup>2</sup>C implementation**

| I2C features <sup>(1)</sup>                                 | I2C1 | I2C2 | I2C3 |
|---|------|------|------|
| 7-bit addressing mode                                       | X    | X    | X    |
| 10-bit addressing mode                                      | X    | X    | X    |
| Standard mode (up to 100 kbit/s)                            | X    | X    | X    |
| Fast mode (up to 400 kbit/s)                                | X    | X    | X    |
| Fast Mode Plus with 20mA output drive I/Os (up to 1 Mbit/s) | X    | X    | X    |
| Independent clock   | X    | X    | X    |
| SMBus   | X    | X    | X    |
| Wakeup from STOP  | X    | X    | X    |

1. X = supported.

### 3.18 Universal synchronous/asynchronous receiver transmitter (USART)

The STM32F301x6/8 devices have three embedded universal synchronous receiver transmitters (USART1, USART2 and USART3).

The USART interfaces are able to communicate at speeds of up to 9 Mbit/s.

All USARTs support hardware management of the CTS and RTS signals, multiprocessor communication mode, single-wire half-duplex communication mode and synchronous mode.

USART1 supports SmartCard mode, IrDA SIR ENDEC, LIN Master capability and autobaudrate detection.

All USART interfaces can be served by the DMA controller.

Refer to [Table 8](#) for the features available in all USARTs interfaces.

**Table 8. USART features**

| USART modes/features <sup>(1)</sup>         | USART1 | USART2 | USART3 |
|---|--------|--------|--------|
| Hardware flow control for modem             | X      | X      | X      |
| Continuous communication using DMA          | X      | X      | X      |
| Multiprocessor communication                | X      | X      | X      |
| Synchronous mode                            | X      | X      | X      |
| SmartCard mode                              | X      | -      | -      |
| Single-wire half-duplex communication       | X      | X      | X      |
| IrDA SIR ENDEC block                        | X      | -      | -      |
| LIN mode                                    | X      | -      | -      |
| Dual clock domain and wakeup from Stop mode | X      | -      | -      |
| Receiver timeout interrupt                  | X      | -      | -      |
| Modbus communication                        | X      | -      | -      |
| Auto baud rate detection                    | X      | -      | -      |
| Driver Enable                               | X      | X      | X      |

1. X = supported.

### 3.19 Serial peripheral interfaces (SPI)/inter-integrated sound interfaces (I2S)

Two SPI interfaces (SPI2 and SPI3) allow communication up to 18 Mbit/s in slave and master modes in full-duplex and simplex modes. The 3-bit prescaler gives 8 master mode frequencies and the frame size is configurable from 4 bits to 16 bits.

Two standard I2S interfaces (multiplexed with SPI2 and SPI3) are available, that can be operated in master or slave mode. These interfaces can be configured to operate with 16/32 bit resolution, as input or output channels. Audio sampling frequencies from 8 kHz up to 192 kHz are supported. When either or both of the I2S interfaces is/are configured in master

mode, the master clock can be output to the external DAC/CODEC at 256 times the sampling frequency.

Refer to [Table 9](#) for the features available in SPI2 and SPI3.

**Table 9. STM32F301x6/8 SPI/I2S implementation**

| SPI features <sup>(1)</sup> | SPI2 | SPI3 |
|-----------------------------|------|------|
| Hardware CRC calculation    | X    | X    |
| Rx/Tx FIFO                  | X    | X    |
| NSS pulse mode              | X    | X    |
| I2S mode                    | X    | X    |
| TI mode                     | X    | X    |

1. X = supported.

### 3.20 Touch sensing controller (TSC)

The STM32F301x6/8 devices provide a simple solution for adding capacitive sensing functionality to any application. These devices offer up to 18 capacitive sensing channels distributed over 6 analog I/O groups.

Capacitive sensing technology is able to detect the presence of a finger near a sensor which is protected from direct touch by a dielectric (for example glass, plastic). The capacitive variation introduced by the finger (or any conductive object) is measured using a proven implementation based on a surface charge transfer acquisition principle. It consists of charging the sensor capacitance and then transferring a part of the accumulated charges into a sampling capacitor until the voltage across this capacitor has reached a specific threshold. To limit the CPU bandwidth usage this acquisition is directly managed by the hardware touch sensing controller and only requires few external components to operate.

**Table 10. Capacitive sensing GPIOs available on STM32F301x6/8 devices**

| Group | Capacitive sensing signal name | Pin name |
|-------|--------------------------------|----------|
| 1     | TSC_G1_IO1                     | PA0      |
|       | TSC_G1_IO2                     | PA1      |
|       | TSC_G1_IO3                     | PA2      |
|       | TSC_G1_IO4                     | PA3      |
| 2     | TSC_G2_IO1                     | PA4      |
|       | TSC_G2_IO2                     | PA5      |
|       | TSC_G2_IO3                     | PA6      |
|       | TSC_G2_IO4                     | PA7      |
| 3     | TSC_G3_IO1                     | PC5      |
|       | TSC_G3_IO2                     | PB0      |
|       | TSC_G3_IO3                     | PB1      |
|       | TSC_G3_IO4                     | PB2      |
| 4     | TSC_G4_IO1                     | PA9      |
|       | TSC_G4_IO2                     | PA10     |
|       | TSC_G4_IO3                     | PA13     |
|       | TSC_G4_IO4                     | PA14     |
| 5     | TSC_G5_IO1                     | PB3      |
|       | TSC_G5_IO2                     | PB4      |
|       | TSC_G5_IO3                     | PB6      |
|       | TSC_G5_IO4                     | PB7      |
| 6     | TSC_G6_IO1                     | PB11     |
|       | TSC_G6_IO2                     | PB12     |
|       | TSC_G6_IO3                     | PB13     |
|       | TSC_G6_IO4                     | PB14     |

**Table 11. No. of capacitive sensing channels available on STM32F301x6/8 devices**

| Analog I/O group | Number of capacitive sensing channels |             |             |
|------------------|---------------------------------------|-------------|-------------|
|                  | STM32F301Rx                           | STM32F301Cx | STM32F301Kx |
| G1               | 3                                     | 3           | 3           |
| G2               | 3                                     | 3           | 3           |
| G3               | 3                                     | 2           | 1           |
| G4               | 3                                     | 3           | 3           |
| G5               | 3                                     | 3           | 3           |

**Table 11. No. of capacitive sensing channels available on STM32F301x6/8 devices (continued)**

| Analog I/O group                      | Number of capacitive sensing channels |             |             |
|---------------------------------------|---------------------------------------|-------------|-------------|
|                                       | STM32F301Rx                           | STM32F301Cx | STM32F301Kx |
| G6                                    | 3                                     | 3           | 0           |
| Number of capacitive sensing channels | 18                                    | 17          | 13          |

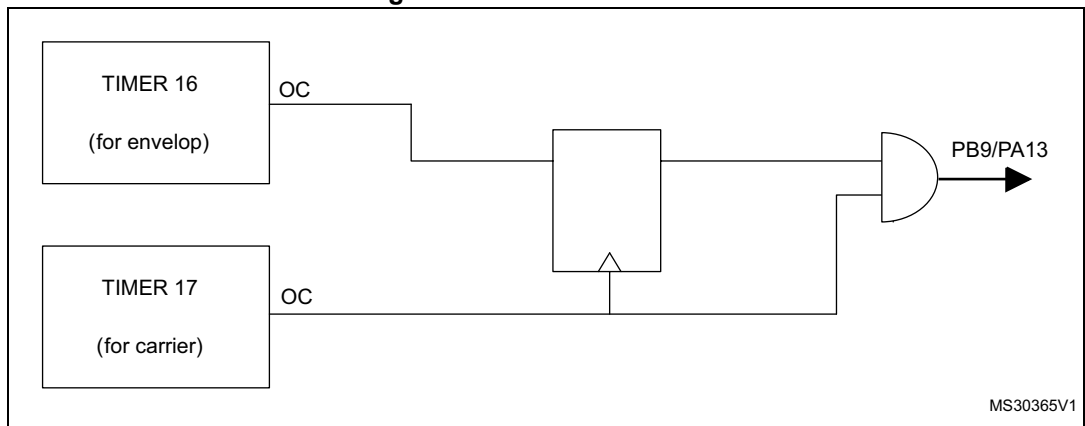
### 3.21 Infrared transmitter

The STM32F301x6/8 devices provide an infrared transmitter solution. The solution is based on internal connections between TIM16 and TIM17 as shown in the figure below.

TIM17 is used to provide the carrier frequency and TIM16 provides the main signal to be sent. The infrared output signal is available on PB9 or PA13.

To generate the infrared remote control signals, TIM16 channel 1 and TIM17 channel 1 must be properly configured to generate correct waveforms. All standard IR pulse modulation modes can be obtained by programming the two timers output compare channels.

**Figure 3. Infrared transmitter**



## 3.22 Development support

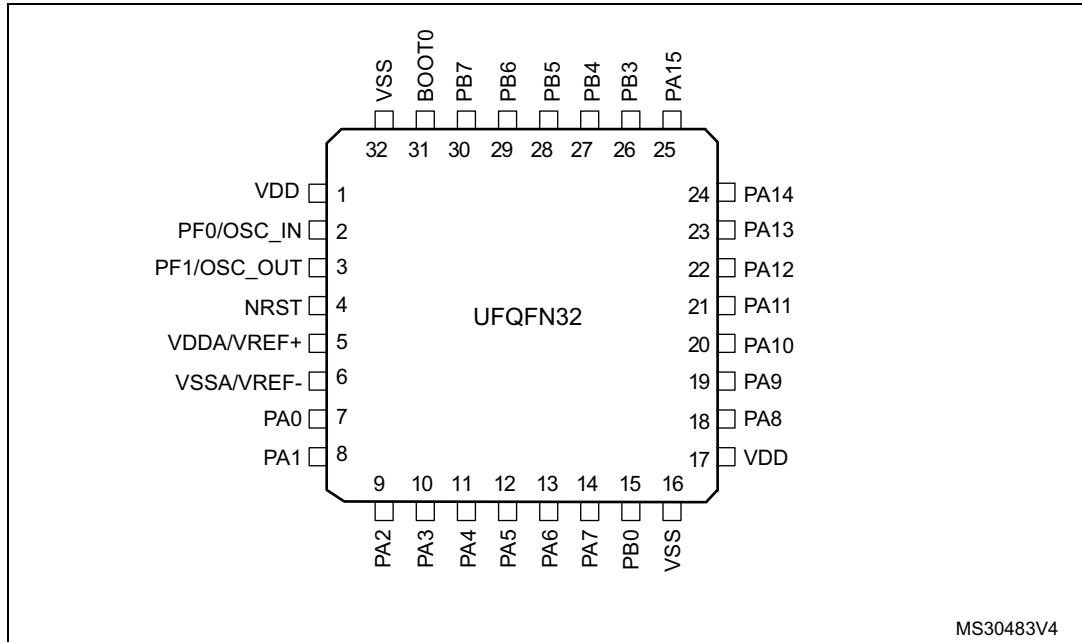
### 3.22.1 Serial wire JTAG debug port (SWJ-DP)

The Arm SWJ-DP Interface is embedded, and is a combined JTAG and serial wire debug port that enables either a serial wire debug or a JTAG probe to be connected to the target.

The JTAG TMS and TCK pins are shared respectively with SWDIO and SWCLK and a specific sequence on the TMS pin is used to switch between JTAG-DP and SW-DP.

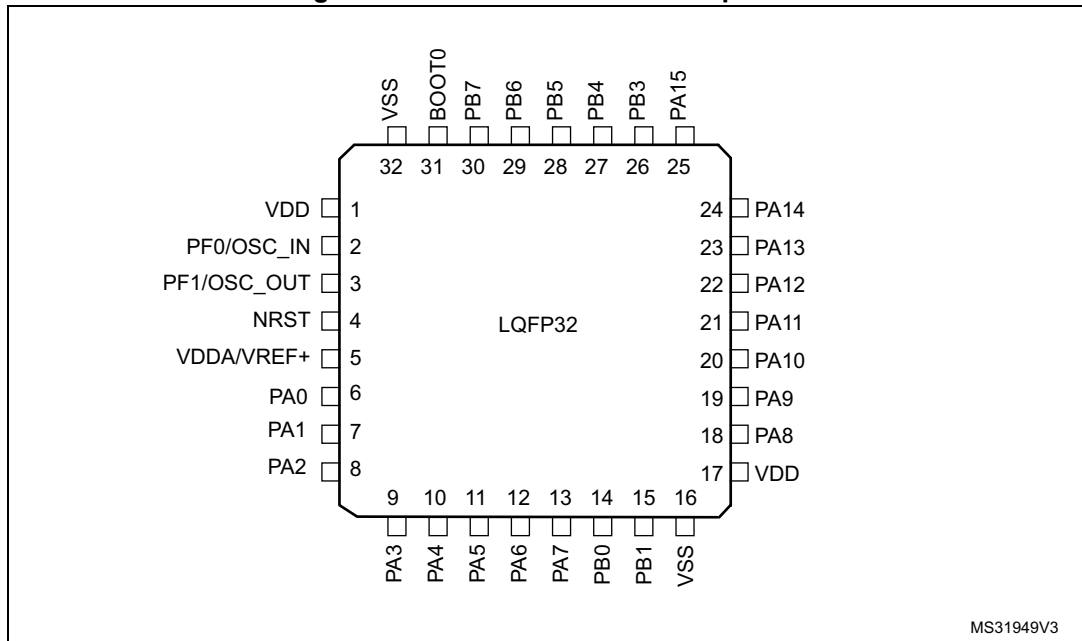
## 4 Pinouts and pin description

Figure 4. STM32F301x6/8 UFQFN32 pinout



1. The above figure shows the package top view.

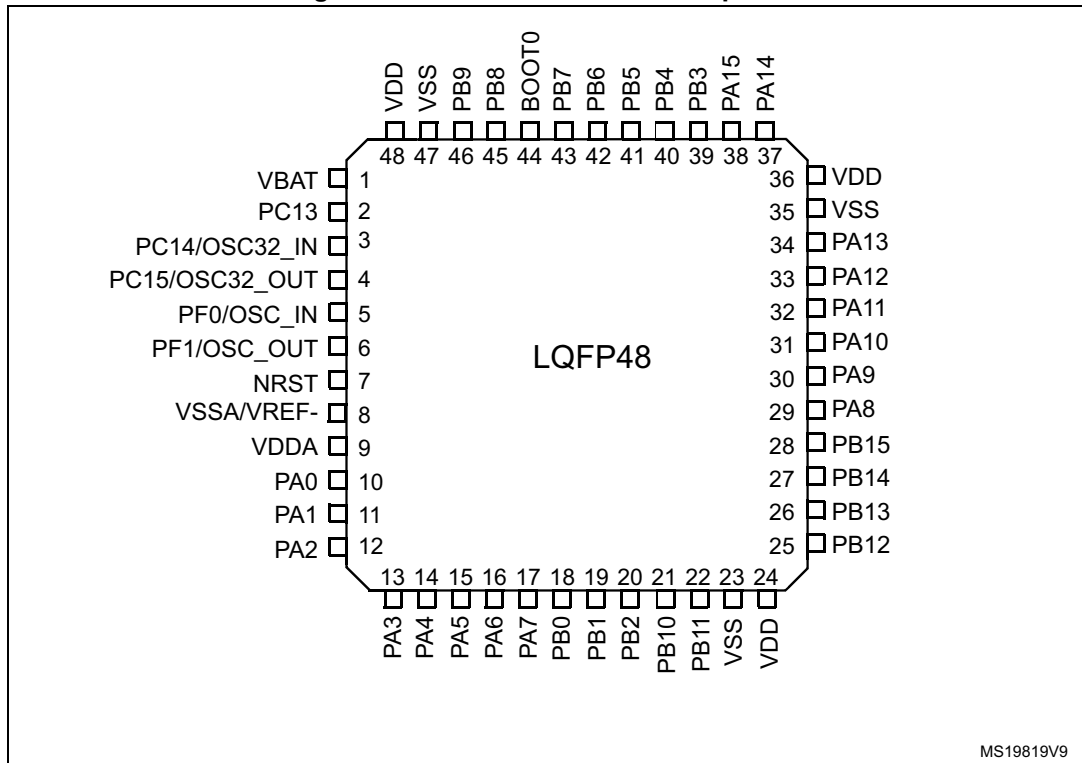
Figure 5. STM32F301x6/8 LQFP32 pinout



1. The above figure shows the package top view.

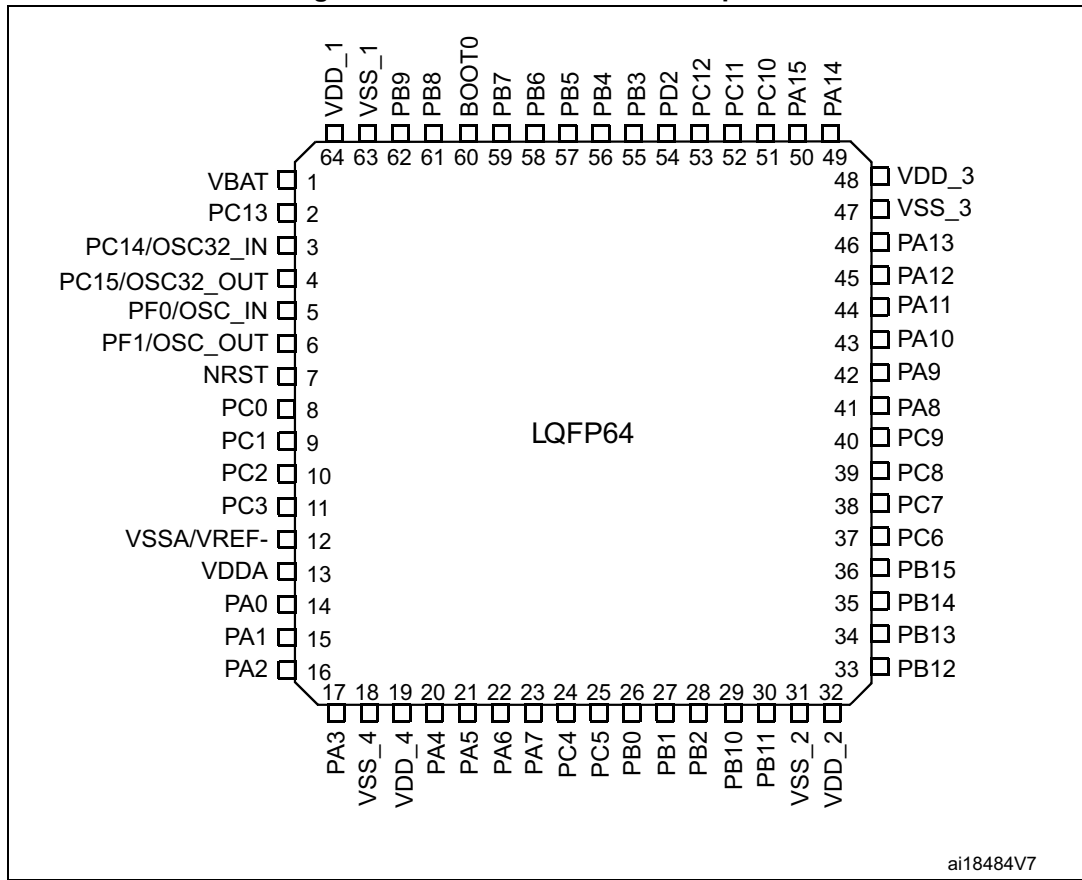


Figure 6. STM32F301x6/8 LQFP48 pinout



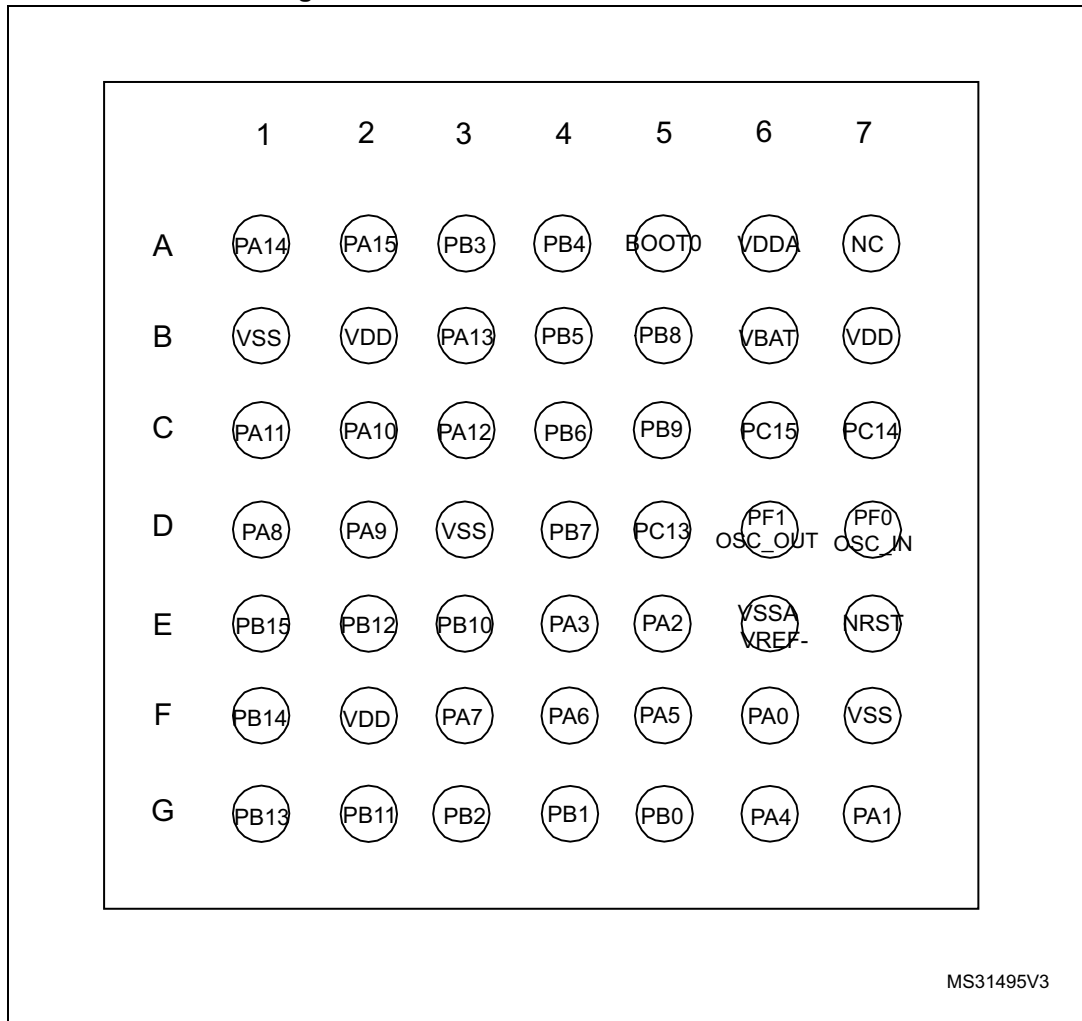
1. The above figure shows the package top view.

Figure 7. STM32F301x6/8 LQFP64 pinout



1. The above figure shows the package top view.

Figure 8. STM32F301x6/8 WLCSP49 ballout



1. The above figure shows the package top view.
2. NC: Not connected.

Table 12. Legend/abbreviations used in the pinout table

| Name          | Abbreviation  | Definition   |
|---------------|---|--|
| Pin name      | Unless otherwise specified in brackets below the pin name, the pin function during and after reset is the same as the actual pin name |  |
| Pin type      | S   | Supply pin   |
|               | I   | Input only pin   |
|               | I/O   | Input / output pin   |
| I/O structure | FT  | 5 V tolerant I/O   |
|               | FTf   | 5 V tolerant I/O, I2C FM+ option                                 |
|               | TTa   | 3.3 V tolerant I/O   |
|               | TT  | 3.3 V tolerant I/O   |
|               | TC  | Standard 3.3V I/O  |
|               | B   | Dedicated BOOT0 pin  |
|               | RST   | Bi-directional reset pin with embedded weak pull-up resistor     |
| Notes         | Unless otherwise specified by a note, all I/Os are set as floating inputs during and after reset                                      |  |
| Pin functions | Alternate functions   | Functions selected through GPIOx_AFR registers                   |
|               | Additional functions  | Functions directly selected/enabled through peripheral registers |



Table 13. STM32F301x6/8 pin definitions

| Pin Number            |        |         |        |        | Pin name<br>(function after reset)          | Pin type | I/O structure | Notes | Alternate functions                                   | Additional functions                 |
|-----------------------|--------|---------|--------|--------|---|----------|---------------|-------|---|--------------------------------------|
| LQFP32 <sup>(1)</sup> | UQFN32 | WLCSP49 | LQFP48 | LQFP64 |   |          |               |       |   |                                      |
| -                     | -      | B6      | 1      | 1      | VBAT  | S        | -             | -     | Backup power supply                                   |                                      |
| -                     | -      | D5      | 2      | 2      | PC13 <sup>(2)</sup> TAMPER1<br>WKUP2 (PC13) | I/O      | TC            | (1)   | TIM1_CH1N   | WKUP2, RTC_TAMP1,<br>RTC_TS, RTC_OUT |
| -                     | -      | C7      | 3      | 3      | PC14 <sup>(2)</sup> OSC32_IN<br>(PC14)      | I/O      | TC            | (1)   | -   | OSC32_IN                             |
| -                     | -      | C6      | 4      | 4      | PC15 <sup>(2)</sup> OSC32_OUT<br>(PC14)     | I/O      | TC            | (1)   | -   | OSC32_OUT                            |
| 2                     | 2      | D7      | 5      | 5      | PF0 OSC_IN (PF0)                            | I/O      | FTf           | -     | I2C2_SDA, SPI2_NSS/I2S2_WS,<br>TIM1_CH3N              | OSC_IN                               |
| 3                     | 3      | D6      | 6      | 6      | PF1 OSC_OUT (PF1)                           | O        | FTf           | -     | I2C2_SCL, SPI2_SCK/I2S2_CK                            | OSC_OUT                              |
| 4                     | 4      | E7      | 7      | 7      | NRST  | I/O      | RST           | -     | Device reset input/internal reset output (active low) |                                      |
| -                     | -      | -       | -      | 8      | PC0   | I/O      | TTa           | -     | EVENTOUT, TIM1_CH1                                    | ADC1_IN6                             |
| -                     | -      | -       | -      | 9      | PC1   | I/O      | TTa           | -     | EVENTOUT, TIM1_CH2                                    | ADC1_IN7                             |
| -                     | -      | -       | -      | 10     | PC2   | I/O      | TTa           | -     | EVENTOUT, TIM1_CH3                                    | ADC1_IN8                             |
| -                     | -      | -       | -      | 11     | PC3   | I/O      | TTa           | -     | EVENTOUT, TIM1_CH4,<br>TIM1_BKIN2                     | ADC1_IN9                             |
| -                     | 6      | E6      | 8      | 12     | VSSA/VREF-                                  | S        | -             | -     | Analog ground/Negative reference voltage              |                                      |
| 5                     | 5      | A6      | 9      | 13     | VDDA/VREF+                                  | S        | -             | -     | Analog power supply/Positive reference voltage        |                                      |



Table 13. STM32F301x6/8 pin definitions (continued)

| Pin Number            |        |         |        |        | Pin name<br>(function after reset) | Pin type | I/O structure | Notes  | Alternate functions  | Additional functions                                       |
|-----------------------|--------|---------|--------|--------|------------------------------------|----------|---------------|--------|--|--|
| LQFP32 <sup>(1)</sup> | UQFN32 | WLCSP49 | LQFP48 | LQFP64 |                                    |          |               |        |  |  |
| 6                     | 7      | F6      | 10     | 14     | PA0 -TAMPER2-WKUP1                 | I/O      | TTa           | (3)    | TIM2_CH1/TIM2_ETR,<br>TSC_G1_IO1, USART2_CTS,<br>EVENTOUT                  | ADC1_IN1, RTC_TAMP2, WKUP1                                 |
| 7                     | 8      | G7      | 11     | 15     | PA1                                | I/O      | TTa           | (3)    | RTC_REFIN, TIM2_CH2,<br>TSC_G1_IO2, USART2_RTS_DE,<br>TIM15_CH1N, EVENTOUT | ADC1_IN2   |
| 8                     | 9      | E5      | 12     | 16     | PA2                                | I/O      | TTa           | (3)    | TIM2_CH3, TSC_G1_IO3,<br>USART2_TX, COMP2_OUT,<br>TIM15_CH1, EVENTOUT      | ADC1_IN3, COMP2_INM  |
| 9                     | 10     | E4      | 13     | 17     | PA3                                | I/O      | TTa           | (3)    | TIM2_CH4, TSC_G1_IO4,<br>USART2_RX, TIM15_CH2,<br>EVENTOUT                 | ADC1_IN4   |
| -                     | -      | F7      | -      | 18     | VSS                                | S        | -             | -      | -  | -  |
| -                     | -      | F2      | -      | 19     | VDD                                | S        | -             | -      | -  | -  |
| 10                    | 11     | G6      | 14     | 20     | PA4                                | I/O      | TTa           | (3)(4) | TSC_G2_IO1, SPI3_NSS/I2S3_WS,<br>USART2_CK, EVENTOUT                       | ADC1_IN5, DAC1_OUT1,<br>COMP2_INM, COMP4_INM,<br>COMP6_INM |
| 11                    | 12     | F5      | 15     | 21     | PA5                                | I/O      | TTa           | -      | TIM2_CH1/TIM2_ETR,<br>TSC_G2_IO2, EVENTOUT                                 | OPAMP2_VINM  |
| 12                    | 13     | F4      | 16     | 22     | PA6                                | I/O      | TTa           | (4)    | TIM16_CH1, TSC_G2_IO3,<br>TIM1_BKIN, EVENTOUT                              | ADC1_IN10, OPAMP2_VOUT                                     |
| 13                    | 14     | F3      | 17     | 23     | PA7                                | I/O      | TTa           | -      | TIM17_CH1, TSC_G2_IO4,<br>TIM1_CH1N, EVENTOUT                              | ADC1_IN15, COMP2_INP,<br>OPAMP2_VINP                       |

**Table 13. STM32F301x6/8 pin definitions (continued)**

| Pin Number            |        |         |        |        | Pin name<br>(function after reset) | Pin type | I/O structure | Notes | Alternate functions  | Additional functions              |
|-----------------------|--------|---------|--------|--------|------------------------------------|----------|---------------|-------|--|-----------------------------------|
| LQFP32 <sup>(1)</sup> | UQFN32 | WLCSP49 | LQFP48 | LQFP64 |                                    |          |               |       |  |                                   |
| -                     | -      | -       | -      | 24     | PC4                                | I/O      | TT            | -     | EVENTOUT, TIM1_ETR, USART1_TX  | -                                 |
| -                     | -      | -       | -      | 25     | PC5                                | I/O      | TTa           | -     | EVENTOUT, TIM15_BKIN, TSC_G3_IO1, USART1_RX                              | OPAMP2_VINM                       |
| 14                    | 15     | G5      | 18     | 26     | PB0                                | I/O      | TTa           | -     | TSC_G3_IO2, TIM1_CH2N, EVENTOUT  | ADC1_IN11, COMP4_INP, OPAMP2_VINP |
| 15                    | -      | G4      | 19     | 27     | PB1                                | I/O      | TTa           | -     | TSC_G3_IO3, TIM1_CH3N, COMP4_OUT, EVENTOUT                               | ADC1_IN12                         |
| -                     | -      | G3      | 20     | 28     | PB2                                | I/O      | TTa           | -     | TSC_G3_IO4, EVENTOUT   | COMP4_INM                         |
| -                     | -      | E3      | 21     | 29     | PB10                               | I/O      | TT            | -     | TIM2_CH3, TSC_SYNC, USART3_TX, EVENTOUT                                  | -                                 |
| -                     | -      | G2      | 22     | 30     | PB11                               | I/O      | TTa           | -     | TIM2_CH4, TSC_G6_IO1, USART3_RX, EVENTOUT                                | ADC1_IN14, COMP6_INP              |
| 16                    | 16     | D3      | 23     | 31     | VSS                                | S        | -             | -     | Digital ground   |                                   |
| 17                    | 17     | B2      | 24     | 32     | VDD                                | S        | -             | -     | Digital power supply   |                                   |
| -                     | -      | E2      | 25     | 33     | PB12                               | I/O      | TT            | -     | TSC_G6_IO2, I2C2_SMBAL, SPI2_NSS/I2S2_WS, TIM1_BKIN, USART3_CK, EVENTOUT | -                                 |
| -                     | -      | G1      | 26     | 34     | PB13                               | I/O      | TTa           | -     | TSC_G6_IO3, SPI2_SCK/I2S2_CK, TIM1_CH1N, USART3_CTS, EVENTOUT            | ADC1_IN13                         |



Table 13. STM32F301x6/8 pin definitions (continued)

| Pin Number            |        |         |        |        | Pin name<br>(function after reset) | Pin type | I/O structure | Notes | Alternate functions  | Additional functions |
|-----------------------|--------|---------|--------|--------|------------------------------------|----------|---------------|-------|--|----------------------|
| LQFP32 <sup>(1)</sup> | UQFN32 | WLCSP49 | LQFP48 | LQFP64 |                                    |          |               |       |  |                      |
| -                     | -      | F1      | 27     | 35     | PB14                               | I/O      | TTa           | -     | TIM15_CH1, TSC_G6_IO4,<br>SPI2_MISO/I2S2ext_SD,<br>TIM1_CH2N, USART3_RTS_DE,<br>EVENTOUT                 | OPAMP2_VINP          |
| -                     | -      | E1      | 28     | 36     | PB15                               | I/O      | TTa           | -     | RTC_REFIN, TIM15_CH2,<br>TIM15_CH1N, TIM1_CH3N,<br>SPI2_MOSI/I2S2_SD, EVENTOUT                           | COMP6_INM            |
| -                     | -      | -       | -      | 37     | PC6                                | I/O      | FT            | -     | EVENTOUT, I2S2_MCK,<br>COMP6_OUT   | -                    |
| -                     | -      | -       | -      | 38     | PC7                                | I/O      | FT            | -     | EVENTOUT, I2S3_MCK   | -                    |
| -                     | -      | -       | -      | 39     | PC8                                | I/O      | FT            | -     | EVENTOUT   | -                    |
| -                     | -      | -       | -      | 40     | PC9                                | I/O      | FTf           | -     | EVENTOUT, I2C3_SDA, I2SCKIN  | -                    |
| 18                    | 18     | D1      | 29     | 41     | PA8                                | I/O      | FT            | -     | MCO, I2C3_SCL, I2C2_SMBAL,<br>I2S2_MCK, TIM1_CH1,<br>USART1_CK, EVENTOUT                                 | -                    |
| 19                    | 19     | D2      | 30     | 42     | PA9                                | I/O      | FTf           | -     | I2C3_SMBAL, TSC_G4_IO1,<br>I2C2_SCL, I2S3_MCK, TIM1_CH2,<br>USART1_TX, TIM15_BKIN,<br>TIM2_CH3, EVENTOUT | -                    |



**Table 13. STM32F301x6/8 pin definitions (continued)**

| Pin Number            |        |         |        |        | Pin name<br>(function after reset) | Pin type | I/O structure | Notes | Alternate functions  | Additional functions |
|-----------------------|--------|---------|--------|--------|------------------------------------|----------|---------------|-------|--|----------------------|
| LQFP32 <sup>(1)</sup> | UQFN32 | WLCSP49 | LQFP48 | LQFP64 |                                    |          |               |       |  |                      |
| 20                    | 20     | C2      | 31     | 43     | PA10                               | I/O      | FTf           | -     | TIM17_BKIN, TSC_G4_IO2,<br>I2C2_SDA, SPI2_MISO/I2S2ext_SD,<br>TIM1_CH3, USART1_RX,<br>COMP6_OUT, TIM2_CH4,<br>EVENTOUT | -                    |
| 21                    | 21     | C1      | 32     | 44     | PA11                               | I/O      | FT            | -     | SPI2_MOSI/I2S2_SD, TIM1_CH1N,<br>USART1_CTS, TIM1_CH4,<br>TIM1_BKIN2, EVENTOUT   |                      |
| 22                    | 22     | C3      | 33     | 45     | PA12                               | I/O      | FT            | -     | TIM16_CH1, I2SCKIN, TIM1_CH2N,<br>USART1_RTS_DE, COMP2_OUT,<br>TIM1_ETR, EVENTOUT                                      |                      |
| 23                    | 23     | B3      | 34     | 46     | PA13                               | I/O      | FT            | -     | SWDIO, TIM16_CH1N,<br>TSC_G4_IO3, IR-OUT,<br>USART3_CTS, EVENTOUT  | -                    |
| -                     | -      | B1      | 35     | 47     | VSS                                | S        | -             | -     | Digital ground   |                      |
| -                     | -      | B2      | 36     | 48     | VDD                                | S        | -             | -     | Digital power supply   |                      |
| 24                    | 24     | A1      | 37     | 49     | PA14                               | I/O      | FTf           | -     | SWCLK-JTCK, TSC_G4_IO4,<br>I2C1_SDA, TIM1_BKIN,<br>USART2_TX, EVENTOUT   | -                    |
| 25                    | 25     | A2      | 38     | 50     | PA15                               | I/O      | FTf           | -     | JTDI, TIM2_CH1/TIM2_ETR,<br>TSC_SYNC, I2C1_SCL,<br>SPI3_NSS/I2S3_WS, USART2_RX,<br>TIM1_BKIN, EVENTOUT                 | -                    |



Table 13. STM32F301x6/8 pin definitions (continued)

| Pin Number            |        |         |        |        | Pin name<br>(function after reset) | Pin type | I/O structure | Notes | Alternate functions   | Additional functions |
|-----------------------|--------|---------|--------|--------|------------------------------------|----------|---------------|-------|---|----------------------|
| LQFP32 <sup>(1)</sup> | UQFN32 | WLCSP49 | LQFP48 | LQFP64 |                                    |          |               |       |   |                      |
| -                     | -      | -       | -      | 51     | PC10                               | I/O      | FT            | -     | EVENTOUT, SPI3_SCK/I2S3_CK, USART3_TX   | -                    |
| -                     | -      | -       | -      | 52     | PC11                               | I/O      | FT            | -     | EVENTOUT, SPI3_MISO/I2S3ext_SD, USART3_RX   | -                    |
| -                     | -      | -       | -      | 53     | PC12                               | I/O      | FT            | -     | EVENTOUT, SPI3_MOSI/I2S3_SD, USART3_CK  | -                    |
| -                     | -      | -       | -      | 54     | PD2                                | I/O      | FT            | -     | EVENTOUT  | -                    |
| 26                    | 26     | A3      | 39     | 55     | PB3                                | I/O      | FT            | -     | JTDO-TRACESWO, TIM2_CH2, TSC_G5_IO1, SPI3_SCK/I2S3_CK, USART2_TX, EVENTOUT          | -                    |
| 27                    | 27     | A4      | 40     | 56     | PB4                                | I/O      | FT            | -     | JTRST, TIM16_CH1, TSC_G5_IO2, SPI3_MISO/I2S3ext_SD, USART2_RX, TIM17_BKIN, EVENTOUT | -                    |
| 28                    | 28     | B4      | 41     | 57     | PB5                                | I/O      | FT            | -     | TIM16_BKIN, I2C1_SMBAL, SPI3_MOSI/I2S3_SD, USART2_CK, I2C3_SDA, TIM17_CH1, EVENTOUT | -                    |
| 29                    | 29     | C4      | 42     | 58     | PB6                                | I/O      | FTf           | -     | TIM16_CH1N, TSC_G5_IO3, I2C1_SCL, USART1_TX, EVENTOUT                               | -                    |
| 30                    | 30     | D4      | 43     | 59     | PB7                                | I/O      | FTf           | -     | TIM17_CH1N, TSC_G5_IO4, I2C1_SDA, USART1_RX, EVENTOUT                               | -                    |

**Table 13. STM32F301x6/8 pin definitions (continued)**

| Pin Number            |        |         |        |        | Pin name<br>(function after reset) | Pin type | I/O structure | Notes | Alternate functions   | Additional functions |
|-----------------------|--------|---------|--------|--------|------------------------------------|----------|---------------|-------|---|----------------------|
| LQFP32 <sup>(1)</sup> | UQFN32 | WLCSP49 | LQFP48 | LQFP64 |                                    |          |               |       |   |                      |
| 31                    | 31     | A5      | 44     | 60     | BOOT0                              | I        | B             | -     | Boot memory selection   |                      |
| -                     | -      | B5      | 45     | 61     | PB8                                | I/O      | FTf           | -     | TIM16_CH1, TSC_SYNC,<br>I2C1_SCL, USART3_RX,<br>TIM1_BKIN, EVENTOUT | -                    |
| -                     | -      | C5      | 46     | 62     | PB9                                | I/O      | FTf           | -     | TIM17_CH1, I2C1_SDA, IR-OUT,<br>USART3_TX, COMP2_OUT,<br>EVENTOUT   | -                    |
| 32                    | 32     | D3      | 47     | 63     | VSS                                | S        | -             | -     | Digital ground  |                      |
| 1                     | "1"    | B7      | 48     | 64     | VDD                                | S        | -             | -     | Digital power supply  |                      |

- All the I/Os available in the LQFP48 package and not available in the LQFP32 package must be configured by software in output push pull mode at "0".
- PC13, PC14 and PC15 are supplied through the power switch. Since the switch sinks only a limited amount of current (3 mA), the use of GPIO PC13 to PC15 in output mode is limited:
  - The speed should not exceed 2 MHz with a maximum load of 30 pF
  - These GPIOs must not be used as current sources (e.g. to drive an LED).

After the first backup domain power-up, PC13, PC14 and PC15 operate as GPIOs. Their function then depends on the content of the Backup registers which is not reset by the main reset. For details on how to manage these GPIOs, refer to the Battery backup domain and BKP register description sections in the RM0366 reference manual.
- Fast ADC channel.
- These GPIOs offer a reduced touch sensing sensitivity. It is thus recommended to use them as sampling capacitor I/O.

Table 14. Alternate functions for Port A

| Port & pin name | AF0 AF1 AF2 AF3 AF4 AF5 AF6 AF7 AF8 AF9 AF10 AF11 AF12 AF13 AF14 AF15 |                              |                      |                |                            |                              |                                   |                              |                              |            |            |      |      |   |   |           |
|-----------------|---|------------------------------|----------------------|----------------|----------------------------|------------------------------|-----------------------------------|------------------------------|------------------------------|------------|------------|------|------|---|---|-----------|
|                 | SYS_AF  | TIM2/TIM15/TIM16/TIM17/EVENT | I2C3/TIM1/TIM2/TIM15 | I2C3/TIM15/TSC | I2C1/I2C2/TIM1/TIM16/TIM17 | SPI2/I2S2/SPI3/I2S3/Infrared | SPI2/I2S2/SPI3/I2S3/TIM1/Infrared | USART1/USART2/USART3/GPCOMP6 | I2C3/GPCOMP2/GPCOMP4/GPCOMP6 | TIM1/TIM15 | TIM2/TIM17 | TIM1 | TIM1 | - | - | EVENT     |
| PA0             | -   | TIM2_CH1/TIM2_ETR            | -                    | TSC_G1_IO1     | -                          | -                            | -                                 | USART2_CTS                   | -                            | -          | -          | -    | -    | - | - | EVENT OUT |
| PA1             | RTC_REFIN   | TIM2_CH2                     | -                    | TSC_G1_IO2     | -                          | -                            | -                                 | USART2_RTS_DF                | -                            | TIM15_CH1N | -          | -    | -    | - | - | EVENT OUT |
| PA2             | -   | TIM2_CH3                     | -                    | TSC_G1_IO3     | -                          | -                            | -                                 | USART2_TX                    | COMP2_OUT                    | TIM15_CH1  | -          | -    | -    | - | - | EVENT OUT |
| PA3             | -   | TIM2_CH4                     | -                    | TSC_G1_IO4     | -                          | -                            | -                                 | USART2_RX                    | -                            | TIM15_CH2  | -          | -    | -    | - | - | EVENT OUT |
| PA4             | -   | -                            | -                    | TSC_G2_IO1     | -                          | -                            | SPI3_NSS/I2S3_WS                  | USART2_CK                    | -                            | -          | -          | -    | -    | - | - | EVENT OUT |
| PA5             | -   | TIM2_CH1/TIM2_ETR            | -                    | TSC_G2_IO2     | -                          | -                            | -                                 | -                            | -                            | -          | -          | -    | -    | - | - | EVENT OUT |
| PA6             | -   | TIM16_CH1                    | -                    | TSC_G2_IO3     | -                          | -                            | TIM1_BKIN                         | -                            | -                            | -          | -          | -    | -    | - | - | EVENT OUT |
| PA7             | -   | TIM17_CH1                    | -                    | TSC_G2_IO4     | -                          | -                            | TIM1_CH1N                         | -                            | -                            | -          | -          | -    | -    | - | - | EVENT OUT |
| PA8             | MCO   | -                            | -                    | I2C3_SCL       | I2C2_SMBAL                 | I2S2_MCK                     | TIM1_CH1                          | USART1_CK                    | -                            | -          | -          | -    | -    | - | - | EVENT OUT |

**Table 14. Alternate functions for Port A (continued)**

| Port & pin name | AF0 AF1 AF2 AF3 AF4 AF5 AF6 AF7 AF8 AF9 AF10 AF11 AF12 AF13 AF14 AF15 |                              |                      |                |                            |                              |                                   |                              |                              |            |            |          |            |   |   |           |
|-----------------|---|------------------------------|----------------------|----------------|----------------------------|------------------------------|-----------------------------------|------------------------------|------------------------------|------------|------------|----------|------------|---|---|-----------|
|                 | SYS_AF  | TIM2/TIM15/TIM16/TIM17/EVENT | I2C3/TIM1/TIM2/TIM15 | I2C3/TIM15/TSC | I2C1/I2C2/TIM1/TIM16/TIM17 | SPI2/I2S2/SPI3/I2S3/Infrared | SPI2/I2S2/SPI3/I2S3/TIM1/Infrared | USART1/USART2/USART3/GPCOMP6 | I2C3/GPCOMP2/GPCOMP4/GPCOMP6 | TIM1/TIM15 | TIM2/TIM17 | TIM1     | TIM1       | - | - | EVENT     |
| PA9             | -   | -                            | I2C3_SMBAL           | TSC_G4_IO1     | I2C2_SCL                   | I2S3_MCK                     | TIM1_CH2                          | USART1_TX                    | -                            | TIM15_BKIN | TIM2_CH3   | -        | -          | - | - | EVENT OUT |
| PA10            | -   | TIM17_BKIN                   | -                    | TSC_G4_IO2     | I2C2_SDA                   | SPI2_MISO/I2S2ext_SD         | TIM1_CH3                          | USART1_RX                    | COMP6_OUT                    | -          | TIM2_CH4   | -        | -          | - | - | EVENT OUT |
| PA11            | -   | -                            | -                    | -              | -                          | SPI2_MOSI/I2S2_SD            | TIM1_CH1N                         | USART1_CTS                   | -                            | -          | -          | TIM1_CH4 | TIM1_BKIN2 | - | - | EVENT OUT |
| PA12            | -   | TIM16_CH1                    | -                    | -              | -                          | I2SCKIN                      | TIM1_CH2N                         | USART1_RTS_DE                | COMP2_OUT                    | -          | -          | TIM1_ETR | -          | - | - | EVENT OUT |
| PA13            | SWDAT-JTMS  | TIM16_CH1N                   | -                    | TSC_G4_IO3     | -                          | IR-OUT                       | -                                 | USART3_CTS                   | -                            | -          | -          | -        | -          | - | - | EVENT OUT |
| PA14            | SWCLK-JTCK  | -                            | -                    | TSC_G4_IO4     | I2C1_SDA                   | -                            | TIM1_BKIN                         | USART2_TX                    | -                            | -          | -          | -        | -          | - | - | EVENT OUT |
| PA15            | JTDI  | TIM2_CH1/TIM2_ETR            | -                    | TSC_SYNC       | I2C1_SCL                   | -                            | SPI3_NSS/I2S3_WS                  | USART2_RX                    | -                            | TIM1_BKIN  | -          | -        | -          | - | - | EVENT OUT |



Table 15. Alternate functions for Port B

| Port & pin name | AF0            | AF1                          | AF2                  | AF3            | AF4                        | AF5                          | AF6                               | AF7                          | AF8                          | AF9        | AF10       | AF11 | AF12      | AF13 | AF14 | AF15      |
|-----------------|----------------|------------------------------|----------------------|----------------|----------------------------|------------------------------|-----------------------------------|------------------------------|------------------------------|------------|------------|------|-----------|------|------|-----------|
|                 | SYS_AF         | TIM2/TIM15/TIM16/TIM17/EVENT | I2C3/TIM1/TIM2/TIM15 | I2C3/TIM15/TSC | I2C1/I2C2/TIM1/TIM16/TIM17 | SPI2/I2S2/SPI3/I2S3/Infrared | SPI2/I2S2/SPI3/I2S3/TIM1/Infrared | USART1/USART2/USART3/GPCOMP6 | I2C3/GPCOMP2/GPCOMP4/GPCOMP6 | TIM1/TIM15 | TIM2/TIM17 | TIM1 | TIM1      | -    | -    | EVENT     |
| PB0             | -              | -                            | -                    | TSC_G3_IO2     | -                          | -                            | TIM1_CH2N                         | -                            | -                            | -          | -          | -    | -         | -    | -    | EVENT OUT |
| PB1             | -              | -                            | -                    | TSC_G3_IO3     | -                          | -                            | TIM1_CH3N                         | -                            | COMP4_OUT                    | -          | -          | -    | -         | -    | -    | EVENT OUT |
| PB2             | -              | -                            | -                    | TSC_G3_IO4     | -                          | -                            | -                                 | -                            | -                            | -          | -          | -    | -         | -    | -    | EVENT OUT |
| PB3             | JTDO-TRACE SWO | TIM2_CH2                     | -                    | TSC_G5_IO1     | -                          | -                            | SPI3_SCK/I2S3_CK                  | USART2_TX                    | -                            | -          | -          | -    | -         | -    | -    | EVENT OUT |
| PB4             | JTRST          | TIM16_CH1                    | -                    | TSC_G5_IO2     | -                          | -                            | SPI3_MISO/I2S3_SD                 | USART2_RX                    | -                            | -          | TIM17_BKIN | -    | -         | -    | -    | EVENT OUT |
| PB5             | -              | TIM16_BKIN                   | -                    | -              | I2C1_SMBAL                 | -                            | SPI3_MOSI/I2S3ext_SD              | USART2_CK                    | I2C3_SDA                     | -          | TIM17_CH1  | -    | -         | -    | -    | EVENT OUT |
| PB6             | -              | TIM16_CH1N                   | -                    | TSC_G5_IO3     | I2C1_SCL                   | -                            | -                                 | USART1_TX                    | -                            | -          | -          | -    | -         | -    | -    | EVENT OUT |
| PB7             | -              | TIM17_CH1N                   | -                    | TSC_G5_IO4     | I2C1_SDA                   | -                            | -                                 | USART1_RX                    | -                            | -          | -          | -    | -         | -    | -    | EVENT OUT |
| PB8             | -              | TIM16_CH1                    | -                    | TSC_SYNC       | I2C1_SCL                   | -                            | -                                 | USART3_RX                    | -                            | -          | -          | -    | TIM1_BKIN | -    | -    | EVENT OUT |



Table 15. Alternate functions for Port B (continued)

| Port & pin name | AF0       | AF1                          | AF2                  | AF3            | AF4                        | AF5                          | AF6                               | AF7                          | AF8                          | AF9        | AF10       | AF11 | AF12 | AF13 | AF14 | AF15      |
|-----------------|-----------|------------------------------|----------------------|----------------|----------------------------|------------------------------|-----------------------------------|------------------------------|------------------------------|------------|------------|------|------|------|------|-----------|
|                 | SYS_AF    | TIM2/TIM15/TIM16/TIM17/EVENT | I2C3/TIM1/TIM2/TIM15 | I2C3/TIM15/TSC | I2C1/I2C2/TIM1/TIM16/TIM17 | SPI2/I2S2/SPI3/I2S3/Infrared | SPI2/I2S2/SPI3/I2S3/TIM1/Infrared | USART1/USART2/USART3/GPCOMP6 | I2C3/GPCOMP2/GPCOMP4/GPCOMP6 | TIM1/TIM15 | TIM2/TIM17 | TIM1 | TIM1 | -    | -    | EVENT     |
| PB9             | -         | TIM17_CH1                    | -                    | -              | I2C1_SDA                   | -                            | IR-OUT                            | USART3_TX                    | COMP2_OUT                    | -          | -          | -    | -    | -    | -    | EVENT OUT |
| PB10            | -         | TIM2_CH3                     | -                    | TSC_SYNC       | -                          | -                            | -                                 | USART3_TX                    | -                            | -          | -          | -    | -    | -    | -    | EVENT OUT |
| PB11            | -         | TIM2_CH4                     | -                    | TSC_G6_IO1     | -                          | -                            | -                                 | USART3_RX                    | -                            | -          | -          | -    | -    | -    | -    | EVENT OUT |
| PB12            | -         | -                            | -                    | TSC_G6_IO2     | I2C2_SMBAL                 | SPI2_NSS/I2S2_WS             | TIM1_BKIN                         | USART3_CK                    | -                            | -          | -          | -    | -    | -    | -    | EVENT OUT |
| PB13            | -         | -                            | -                    | TSC_G6_IO3     | -                          | SPI2_SCK/I2S2_CK             | TIM1_CH1N                         | USART3_CTS                   | -                            | -          | -          | -    | -    | -    | -    | EVENT OUT |
| PB14            | -         | TIM15_CH1                    | -                    | TSC_G6_IO4     | -                          | SPI2_MISO/I2S2_ext_SD        | TIM1_CH2N                         | USART3_RTS_DE                | -                            | -          | -          | -    | -    | -    | -    | EVENT OUT |
| PB15            | RTC_REFIN | TIM15_CH2                    | TIM15_CH1N           | -              | TIM1_CH3N                  | SPI2_MOSI/I2S2_SD            | -                                 | -                            | -                            | -          | -          | -    | -    | -    | -    | EVENT OUT |



Table 16. Alternate functions for Port C

| Port & pin name | AF0    | AF1                                  | AF2                      | AF3                | AF4                            | AF5                                 | AF6                                       | AF7                                      |
|-----------------|--------|--------------------------------------|--------------------------|--------------------|--------------------------------|-------------------------------------|---|--|
|                 | SYS_AF | TIM2/TIM15/<br>TIM16/TIM17/<br>EVENT | I2C3/TIM1/TIM2<br>/TIM15 | I2C3/TIM15/<br>TSC | I2C1/I2C2/TIM1/<br>TIM16/TIM17 | SPI2/I2S2/<br>SPI3/I2S3<br>Infrared | SPI2/I2S2/SPI3/<br>I2S3/TIM1/<br>Infrared | USART1/<br>USART2/<br>USART3/<br>GPCOMP6 |
| PC0             | -      | EVENTOUT                             | TIM1_CH1                 | -                  | -                              | -                                   | -   | -  |
| PC1             | -      | EVENTOUT                             | TIM1_CH2                 | -                  | -                              | -                                   | -   | -  |
| PC2             | -      | EVENTOUT                             | TIM1_CH3                 | -                  | -                              | -                                   | -   | -  |
| PC3             | -      | EVENTOUT                             | TIM1_CH4                 | -                  | -                              | -                                   | TIM1_BKIN2                                | -  |
| PC4             | -      | EVENTOUT                             | TIM1_ETR                 | -                  | -                              | -                                   | -   | USART1_TX                                |
| PC5             | -      | EVENTOUT                             | TIM15_BKIN               | TSC_G3_IO1         | -                              | -                                   | -   | USART1_RX                                |
| PC6             | -      | EVENTOUT                             | -                        | -                  | -                              | -                                   | I2S2_MCK                                  | COMP6_OUT                                |
| PC7             | -      | EVENTOUT                             | -                        | -                  | -                              | -                                   | I2S3_MCK                                  | -  |
| PC8             | -      | EVENTOUT                             | -                        | -                  | -                              | -                                   | -   | -  |
| PC9             | -      | EVENTOUT                             | -                        | I2C3_SDA           | -                              | I2SCKIN                             | -   | -  |
| PC10            | -      | EVENTOUT                             | -                        | -                  | -                              | -                                   | SPI3_SCK/<br>I2S3_CK                      | USART3_TX                                |
| PC11            | -      | EVENTOUT                             | -                        | -                  | -                              | -                                   | SPI3_MISO/<br>I2S3ext_SD                  | USART3_RX                                |
| PC12            | -      | EVENTOUT                             | -                        | -                  | -                              | -                                   | SPI3_MOSI/<br>I2S3_SD                     | USART3_CK                                |
| PC13            | -      | -                                    | -                        | -                  | TIM1_CH1N                      | -                                   | -   | -  |
| PC14            | -      | -                                    | -                        | -                  | -                              | -                                   | -   | -  |
| PC15            | -      | -                                    | -                        | -                  | -                              | -                                   | -   | -  |



**Table 17. Alternate functions for Port D**

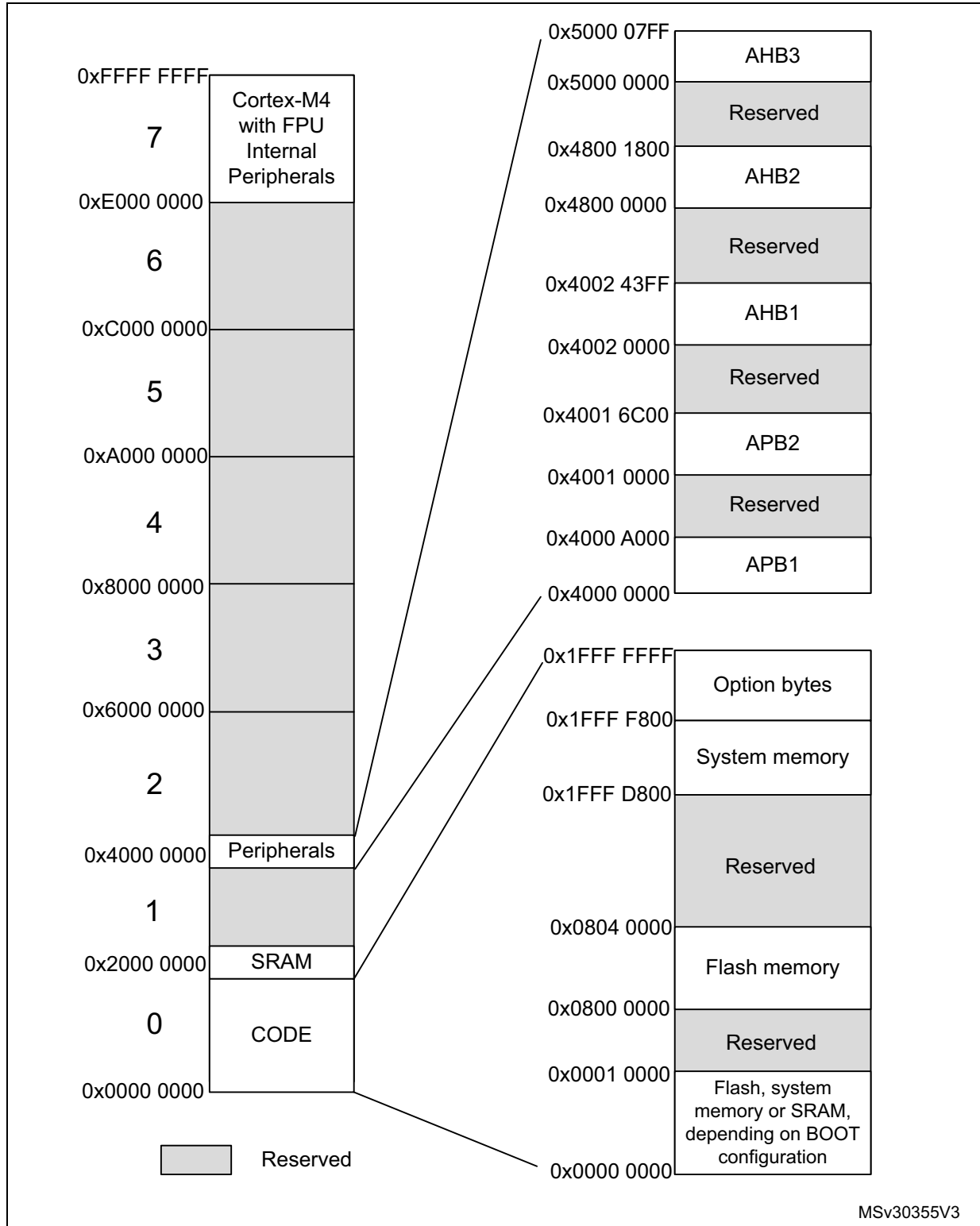
| Port & pin name | AF0    | AF1                                  | AF2                      | AF3            | AF4                            | AF5                                  | AF6                                       | AF7                                      |
|-----------------|--------|--------------------------------------|--------------------------|----------------|--------------------------------|--------------------------------------|---|--|
|                 | SYS_AF | TIM2/TIM15/<br>TIM16/TIM17/<br>EVENT | I2C3/TIM1/TIM2/<br>TIM15 | I2C3/TIM15/TSC | I2C1/I2C2/TIM1/<br>TIM16/TIM17 | SPI2/I2S2/<br>SPI3/I2S3/<br>Infrared | SPI2/I2S2/SPI3/<br>I2S3/TIM1/<br>Infrared | USART1/<br>USART2/<br>USART3/<br>GPCOMP6 |
| PD2             | -      | EVENTOUT                             | -                        | -              | -                              | -                                    | -   | -  |

**Table 18. Alternate functions for Port F**

| Port & pin name | AF0    | AF1                                  | AF2                      | AF3            | AF4                            | AF5                                  | AF6                                       | AF7                                  |
|-----------------|--------|--------------------------------------|--------------------------|----------------|--------------------------------|--------------------------------------|---|--------------------------------------|
|                 | SYS_AF | TIM2/TIM15/<br>TIM16/TIM17/<br>EVENT | I2C3/TIM1/TIM2/<br>TIM15 | I2C3/TIM15/TSC | I2C1/I2C2/TIM1/<br>TIM16/TIM17 | SPI2/I2S2/<br>SPI3/I2S3/<br>Infrared | SPI2/I2S2/SPI3/<br>I2S3/TIM1/<br>Infrared | USART1/USAR<br>T2/USART3/<br>GPCOMP6 |
| PF0             | -      | -                                    | -                        | -              | I2C2_SDA                       | SPI2_NSS/<br>I2S2_WS                 | TIM1_CH3N                                 | -                                    |
| PF1             | -      | -                                    | -                        | -              | I2C2_SCL                       | SPI2_SCK/<br>I2S2_CK                 | -   | -                                    |

# 5 Memory mapping

Figure 9. STM32F301x6/8 memory mapping



MSv30355V3

**Table 19. STM32F301x6 STM32F301x8 peripheral register boundary addresses <sup>(1)</sup>**

| Bus  | Boundary address          | Size (bytes) | Peripheral            |
|------|---------------------------|--------------|-----------------------|
| AHB3 | 0x5000 0000 - 0x5000 03FF | 1 K          | ADC1                  |
| -    | 0x4800 1800 - 0x4FFF FFFF | ~132 M       | Reserved              |
| AHB2 | 0x4800 1400 - 0x4800 17FF | 1 K          | GPIOF                 |
|      | 0x4800 1000 - 0x4800 13FF | 1 K          | Reserved              |
|      | 0x4800 0C00 - 0x4800 0FFF | 1 K          | GPIOD                 |
|      | 0x4800 0800 - 0x4800 0BFF | 1 K          | GPIOC                 |
|      | 0x4800 0400 - 0x4800 07FF | 1 K          | GPIOB                 |
|      | 0x4800 0000 - 0x4800 03FF | 1 K          | GPIOA                 |
| -    | 0x4002 4400 - 0x47FF FFFF | ~128 M       | Reserved              |
| AHB1 | 0x4002 4000 - 0x4002 43FF | 1 K          | TSC                   |
|      | 0x4002 3400 - 0x4002 3FFF | 3 K          | Reserved              |
|      | 0x4002 3000 - 0x4002 33FF | 1 K          | CRC                   |
|      | 0x4002 2400 - 0x4002 2FFF | 3 K          | Reserved              |
|      | 0x4002 2000 - 0x4002 23FF | 1 K          | Flash interface       |
|      | 0x4002 1400 - 0x4002 1FFF | 3 K          | Reserved              |
|      | 0x4002 1000 - 0x4002 13FF | 1 K          | RCC                   |
|      | 0x4002 0400 - 0x4002 0FFF | 3 K          | Reserved              |
|      | 0x4002 0000 - 0x4002 03FF | 1 K          | DMA1                  |
| -    | 0x4001 8000 - 0x4001 FFFF | 32 K         | Reserved              |
| APB2 | 0x4001 4C00 - 0x4001 7FFF | 13 K         | Reserved              |
|      | 0x4001 4800 - 0x4001 4BFF | 1 K          | TIM17                 |
|      | 0x4001 4400 - 0x4001 47FF | 1 K          | TIM16                 |
|      | 0x4001 4000 - 0x4001 43FF | 1 K          | TIM15                 |
|      | 0x4001 3C00 - 0x4001 3FFF | 1 K          | Reserved              |
|      | 0x4001 3800 - 0x4001 3BFF | 1 K          | USART1                |
|      | 0x4001 3000 - 0x4001 37FF | 2 K          | Reserved              |
|      | 0x4001 2C00 - 0x4001 2FFF | 1 K          | TIM1                  |
|      | 0x4001 0800 - 0x4001 2BFF | 8 K          | Reserved              |
|      | 0x4001 0400 - 0x4001 07FF | 1 K          | EXTI                  |
|      | 0x4001 0000 - 0x4001 03FF | 1 K          | SYSCFG + COMP + OPAMP |
| -    | 0x4000 9C00 - 0x4000 FFFF | 25 K         | Reserved              |

Table 19. STM32F301x6 STM32F301x8 peripheral register boundary addresses (continued)<sup>(1)</sup>

| Bus                       | Boundary address          | Size (bytes) | Peripheral   |
|---------------------------|---------------------------|--------------|--|
| APB1                      | 0x4000 7C00 - 0x4000 9BFF | 8 K          | Reserved   |
|                           | 0x4000 7800 - 0x4000 7BFF | 1 K          | I2C3   |
|                           | 0x4000 7400 - 0x4000 77FF | 1 K          | DAC1   |
|                           | 0x4000 7000 - 0x4000 73FF | 1 K          | PWR  |
|                           | 0x4000 5C00 - 0x4000 6FFF | 5 K          | Reserved   |
|                           | 0x4000 5800 - 0x4000 5BFF | 1 K          | I2C2   |
|                           | 0x4000 5400 - 0x4000 57FF | 1 K          | I2C1   |
|                           | 0x4000 4C00 - 0x4000 53FF | 2 K          | Reserved   |
|                           | 0x4000 4800 - 0x4000 4BFF | 1 K          | USART3   |
|                           | 0x4000 4400 - 0x4000 47FF | 1 K          | USART2   |
|                           | 0x4000 4000 - 0x4000 43FF | 1 K          | I2S3ext  |
|                           | 0x4000 3C00 - 0x4000 3FFF | 1 K          | SPI3/I2S3  |
|                           | 0x4000 3800 - 0x4000 3BFF | 1 K          | SPI2/I2S2  |
|                           | 0x4000 3400 - 0x4000 37FF | 1 K          | I2S2ext  |
|                           | 0x4000 3000 - 0x4000 33FF | 1 K          | IWDG   |
|                           | 0x4000 2C00 - 0x4000 2FFF | 1 K          | WWDG   |
|                           | 0x4000 2800 - 0x4000 2BFF | 1 K          | RTC  |
|                           | 0x4000 1400 - 0x4000 27FF | 5 K          | Reserved   |
|                           | 0x4000 1000 - 0x4000 13FF | 1 K          | TIM6   |
|                           | 0x4000 0400 - 0x4000 0FFF | 3 K          | Reserved   |
| 0x4000 0000 - 0x4000 03FF | 1 K                       | TIM2         |  |
| -                         | 0x2000 4000 - 3FFF FFFF   | ~512 M       | Reserved   |
| -                         | 0x2000 0000 - 0x2000 3FFF | 16 K         | SRAM   |
| -                         | 0x1FFF F800 - 0x1FFF FFFF | 2 K          | Option bytes   |
| -                         | 0x1FFF D800 - 0x1FFF F7FF | 8 K          | System memory  |
| -                         | 0x0801 0000 - 0x1FFF D7FF | ~384 M       | Reserved   |
| -                         | 0x0800 0000 - 0x0800 FFFF | 64 K         | Main Flash memory  |
| -                         | 0x0001 0000 - 0x07FF FFFF | ~128 M       | Reserved   |
| -                         | 0x0000 000 - 0x0000 FFFF  | 64 K         | Main Flash memory, system memory or SRAM depending on BOOT configuration |

1. The gray color is used for reserved Flash memory addresses.

## 6 Electrical characteristics

### 6.1 Parameter conditions

Unless otherwise specified, all voltages are referenced to  $V_{SS}$ .

#### 6.1.1 Minimum and maximum values

Unless otherwise specified, the minimum and maximum values are guaranteed in the worst conditions of ambient temperature, supply voltage and frequencies by tests in production on 100% of the devices with an ambient temperature at  $T_A = 25\text{ }^\circ\text{C}$  and  $T_A = T_{Amax}$  (given by the selected temperature range).

Data based on characterization results, design simulation and/or technology characteristics are indicated in the table footnotes. Based on characterization, the minimum and maximum values refer to sample tests and represent the mean value plus or minus three times the standard deviation ( $\text{mean} \pm 3\sigma$ ).

#### 6.1.2 Typical values

Unless otherwise specified, typical data are based on  $T_A = 25\text{ }^\circ\text{C}$ ,  $V_{DD} = V_{DDA} = 3.3\text{ V}$ . They are given only as design guidelines and are not tested.

Typical ADC accuracy values are determined by characterization of a batch of samples from a standard diffusion lot over the full temperature range, where 95% of the devices have an error less than or equal to the value indicated ( $\text{mean} \pm 2\sigma$ ).

#### 6.1.3 Typical curves

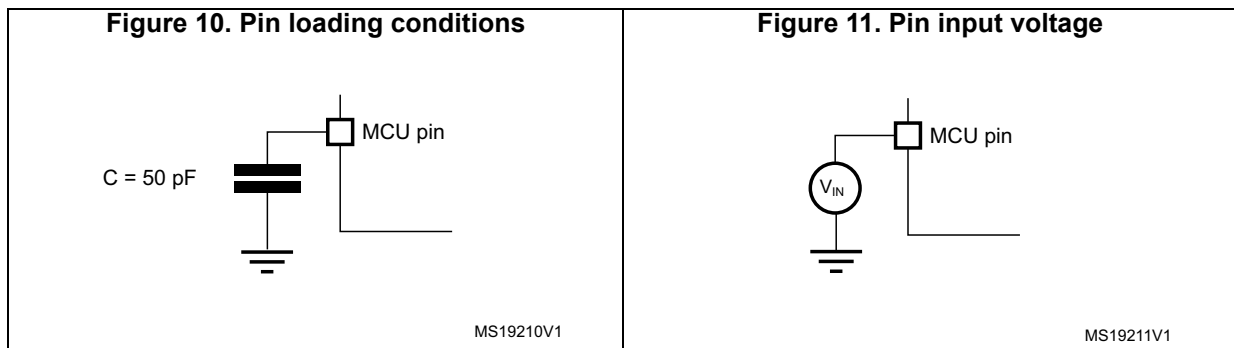
Unless otherwise specified, all typical curves are given only as design guidelines and are not tested.

#### 6.1.4 Loading capacitor

The loading conditions used for pin parameter measurement are shown in [Figure 10](#).

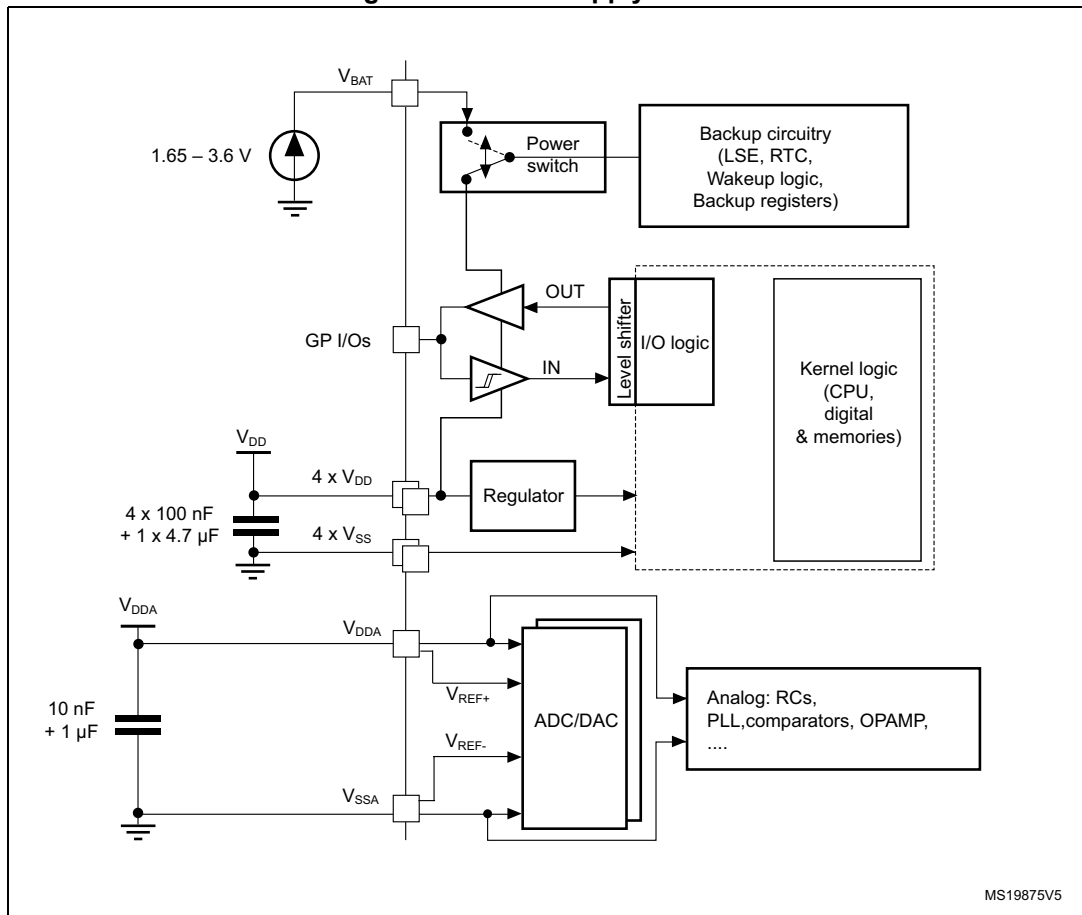
#### 6.1.5 Pin input voltage

The input voltage measurement on a pin of the device is described in [Figure 11](#).



### 6.1.6 Power supply scheme

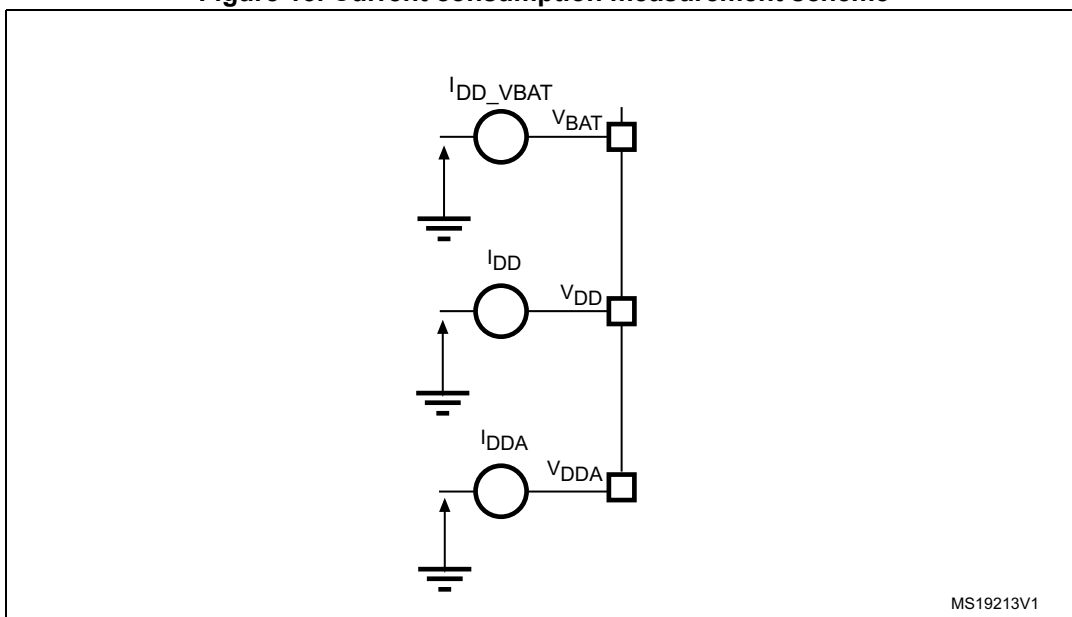
Figure 12. Power supply scheme



**Caution:** Each power supply pair (for example  $V_{DD}/V_{SS}$ ,  $V_{DDA}/V_{SSA}$ ) must be decoupled with filtering ceramic capacitors as shown above. These capacitors must be placed as close as possible to, or below the appropriate pins on the underside of the PCB to ensure the good functionality of the device.

### 6.1.7 Current consumption measurement

Figure 13. Current consumption measurement scheme



## 6.2 Absolute maximum ratings

Stresses above the absolute maximum ratings listed in [Table 20: Voltage characteristics](#), [Table 21: Current characteristics](#), and [Table 22: Thermal characteristics](#) may cause permanent damage to the device. These are stress ratings only and functional operation of the device at these conditions is not implied. Exposure to maximum rating conditions for extended periods may affect device reliability.

**Table 20. Voltage characteristics<sup>(1)</sup>**

| Symbol               | Ratings  | Min  | Max            | Unit |
|----------------------|--|--|----------------|------|
| $V_{DD}-V_{SS}$      | External main supply voltage (including $V_{DDA}$ , $V_{BAT}$ and $V_{DD}$ ) | -0.3   | 4.0            | V    |
| $V_{DD}-V_{DDA}$     | Allowed voltage difference for $V_{DD} > V_{DDA}$                            | -  | 0.4            | V    |
| $V_{IN}^{(2)}$       | Input voltage on FT and FTf pins   | $V_{SS} - 0.3$   | $V_{DD} + 4.0$ | V    |
|                      | Input voltage on TTa and TT pins   | $V_{SS} - 0.3$   | 4.0            |      |
|                      | Input voltage on any other pin   | $V_{SS} - 0.3$   | 4.0            |      |
|                      | Input voltage on Boot0 pin   | 0  | 9              |      |
| $ \Delta V_{DDx} $   | Variations between different $V_{DD}$ power pins                             | -  | 50             | mV   |
| $ V_{SSx} - V_{SS} $ | Variations between all the different ground pins <sup>(3)</sup>              | -  | 50             |      |
| $V_{ESD(HBM)}$       | Electrostatic discharge voltage (human body model)                           | see <a href="#">Section 6.3.12: Electrical sensitivity characteristics</a> |                | V    |

- All main power ( $V_{DD}$ ,  $V_{DDA}$ ) and ground ( $V_{SS}$ ,  $V_{SSA}$ ) pins must always be connected to the external power supply, in the permitted range. The following relationship must be respected between  $V_{DDA}$  and  $V_{DD}$ :  
 $V_{DDA}$  must power on before or at the same time as  $V_{DD}$  in the power up sequence.  
 $V_{DDA}$  must be greater than or equal to  $V_{DD}$ .
- $V_{IN}$  maximum must always be respected. Refer to [Table 21: Current characteristics](#) for the maximum allowed injected current values.
- Include  $V_{REF}$ - pin.



**Table 21. Current characteristics**

| Symbol                | Ratings  | Max.  | Unit |
|-----------------------|--|-------|------|
| $\Sigma I_{VDD}$      | Total current into sum of all VDD power lines (source)                         | 130   | mA   |
| $\Sigma I_{VSS}$      | Total current out of sum of all VSS ground lines (sink)                        | -130  |      |
| $I_{VDD}$             | Maximum current into each V <sub>DD</sub> power line (source) <sup>(1)</sup>   | 100   |      |
| $I_{VSS}$             | Maximum current out of each V <sub>SS</sub> ground line (sink) <sup>(1)</sup>  | -100  |      |
| $I_{IO(PIN)}$         | Output current sunk by any I/O and control pin                                 | 25    |      |
|                       | Output current sourced by any I/O and control pin                              | -25   |      |
| $\Sigma I_{IO(PIN)}$  | Total output current sunk by sum of all IOs and control pins <sup>(2)</sup>    | 80    |      |
|                       | Total output current sourced by sum of all IOs and control pins <sup>(2)</sup> | -80   |      |
| $I_{INJ(PIN)}$        | Injected current on TT, FT, FTf and B pins <sup>(3)</sup>                      | -5/+0 |      |
|                       | Injected current on TC and RST pin <sup>(4)</sup>                              | +/-5  |      |
|                       | Injected current on TTa pins <sup>(5)</sup>                                    | +/-5  |      |
| $\Sigma I_{INJ(PIN)}$ | Total injected current (sum of all I/O and control pins) <sup>(6)</sup>        | +/-25 |      |

1. All main power (V<sub>DD</sub>, V<sub>DDA</sub>) and ground (V<sub>SS</sub> and V<sub>SSA</sub>) pins must always be connected to the external power supply, in the permitted range.
2. This current consumption must be correctly distributed over all I/Os and control pins. The total output current must not be sunk/sourced between two consecutive power supply pins referring to high pin count LQFP packages.
3. Positive injection is not possible on these I/Os and does not occur for input voltages lower than the specified maximum value.
4. A positive injection is induced by V<sub>IN</sub> > V<sub>DD</sub> while a negative injection is induced by V<sub>IN</sub> < V<sub>SS</sub>. I<sub>INJ(PIN)</sub> must never be exceeded. Refer to [Table 20: Voltage characteristics](#) for the maximum allowed input voltage values.
5. A positive injection is induced by V<sub>IN</sub> > V<sub>DDA</sub> while a negative injection is induced by V<sub>IN</sub> < V<sub>SS</sub>. I<sub>INJ(PIN)</sub> must never be exceeded. Refer also to [Table 20: Voltage characteristics](#) for the maximum allowed input voltage values. Negative injection disturbs the analog performance of the device. See note <sup>(2)</sup> below [Table 65](#).
6. When several inputs are submitted to a current injection, the maximum  $\Sigma I_{INJ(PIN)}$  is the absolute sum of the positive and negative injected currents (instantaneous values).

**Table 22. Thermal characteristics**

| Symbol           | Ratings                      | Value       | Unit |
|------------------|------------------------------|-------------|------|
| T <sub>STG</sub> | Storage temperature range    | -65 to +150 | °C   |
| T <sub>J</sub>   | Maximum junction temperature | 150         | °C   |

## 6.3 Operating conditions

### 6.3.1 General operating conditions

Table 23. General operating conditions

| Symbol      | Parameter   | Conditions   | Min  | Max           | Unit |
|-------------|---|--|------|---------------|------|
| $f_{HCLK}$  | Internal AHB clock frequency  | -  | 0    | 72            | MHz  |
| $f_{PCLK1}$ | Internal APB1 clock frequency   | -  | 0    | 36            |      |
| $f_{PCLK2}$ | Internal APB2 clock frequency   | -  | 0    | 72            |      |
| $V_{DD}$    | Standard operating voltage  | -  | 2    | 3.6           | V    |
| $V_{DDA}$   | Analog operating voltage (OPAMP and DAC not used)   | Must have a potential equal to or higher than $V_{DD}$ | 2    | 3.6           | V    |
|             | Analog operating voltage (OPAMP and DAC used)   |  | 2.4  | 3.6           |      |
| $V_{BAT}$   | Backup operating voltage  | -  | 1.65 | 3.6           | V    |
| $V_{IN}$    | I/O input voltage   | TC I/O   | -0.3 | $V_{DD}+0.3$  | V    |
|             |   | TT I/O <sup>(1)</sup>                                  | -0.3 | 3.6           |      |
|             |   | TTa I/O pins   | -0.3 | $V_{DDA}+0.3$ |      |
|             |   | FT and FTf I/O <sup>(1)</sup>                          | -0.3 | 5.5           |      |
|             |   | BOOT0  | 0    | 5.5           |      |
| $P_D$       | Power dissipation at<br>$T_A = 85\text{ °C}$ for suffix 6 or<br>$T_A = 105\text{ °C}$ for suffix 7 <sup>(2)</sup> | LQFP64   | -    | 444           | mW   |
|             |   | LQFP48   | -    | 364           |      |
|             |   | WLCSF49  | -    | 408           |      |
|             |   | UFQFPN32   | -    | 540           |      |
|             |   | LQFP32   | -    | 333           |      |
| $T_A$       | Ambient temperature for 6 suffix version  | Maximum power dissipation                              | -40  | 85            | °C   |
|             |   | Low power dissipation <sup>(3)</sup>                   | -40  | 105           |      |
|             | Ambient temperature for 7 suffix version  | Maximum power dissipation                              | -40  | 105           | °C   |
|             |   | Low power dissipation <sup>(3)</sup>                   | -40  | 125           |      |
| $T_J$       | Junction temperature range  | 6 suffix version                                       | -40  | 105           | °C   |
|             |   | 7 suffix version                                       | -40  | 125           |      |

1. To sustain a voltage higher than  $V_{DD}+0.3\text{ V}$ , the internal pull-up/pull-down resistors must be disabled.
2. If  $T_A$  is lower, higher  $P_D$  values are allowed as long as  $T_J$  does not exceed  $T_{Jmax}$ . See [Table 80: Package thermal characteristics](#).
3. In low power dissipation state,  $T_A$  can be extended to this range as long as  $T_J$  does not exceed  $T_{Jmax}$ . See [Table 80: Package thermal characteristics](#)

### 6.3.2 Operating conditions at power-up / power-down

The parameters given in [Table 24](#) are derived from tests performed under the ambient temperature condition summarized in [Table 23](#).

**Table 24. Operating conditions at power-up / power-down**

| Symbol            | Parameter                       | Conditions | Min | Max | Unit |
|-------------------|---------------------------------|------------|-----|-----|------|
| t <sub>VDD</sub>  | V <sub>DD</sub> rise time rate  | -          | 0   | ∞   | μs/V |
|                   | V <sub>DD</sub> fall time rate  |            | 20  | ∞   |      |
| t <sub>VDDA</sub> | V <sub>DDA</sub> rise time rate | -          | 0   | ∞   |      |
|                   | V <sub>DDA</sub> fall time rate |            | 20  | ∞   |      |

### 6.3.3 Embedded reset and power control block characteristics

The parameters given in [Table 25](#) are derived from tests performed under ambient temperature and V<sub>DD</sub> supply voltage conditions summarized in [Table 23](#).

**Table 25. Embedded reset and power control block characteristics**

| Symbol                               | Parameter                           | Conditions   | Min                | Typ  | Max  | Unit |
|--------------------------------------|-------------------------------------|--------------|--------------------|------|------|------|
| V <sub>POR/PDR</sub> <sup>(1)</sup>  | Power on/power down reset threshold | Falling edge | 1.8 <sup>(2)</sup> | 1.88 | 1.96 | V    |
|                                      |                                     | Rising edge  | 1.84               | 1.92 | 2.0  | V    |
| V <sub>PDRhyst</sub> <sup>(1)</sup>  | PDR hysteresis                      | -            | -                  | 40   | -    | mV   |
| t <sub>RSTTEMPO</sub> <sup>(3)</sup> | POR reset temporization             | -            | 1.5                | 2.5  | 4.5  | ms   |

1. The PDR detector monitors V<sub>DD</sub> and also V<sub>DDA</sub> (if kept enabled in the option bytes). The POR detector monitors only V<sub>DD</sub>.
2. The product behavior is guaranteed by design down to the minimum V<sub>POR/PDR</sub> value.
3. Based on characterization, not tested in production.

Table 26. Programmable voltage detector characteristics

| Symbol                              | Parameter               | Conditions   | Min <sup>(1)</sup> | Typ  | Max <sup>(1)</sup> | Unit |
|-------------------------------------|-------------------------|--------------|--------------------|------|--------------------|------|
| V <sub>PVD0</sub>                   | PVD threshold 0         | Rising edge  | 2.1                | 2.18 | 2.26               | V    |
|                                     |                         | Falling edge | 2                  | 2.08 | 2.16               |      |
| V <sub>PVD1</sub>                   | PVD threshold 1         | Rising edge  | 2.19               | 2.28 | 2.37               |      |
|                                     |                         | Falling edge | 2.09               | 2.18 | 2.27               |      |
| V <sub>PVD2</sub>                   | PVD threshold 2         | Rising edge  | 2.28               | 2.38 | 2.48               |      |
|                                     |                         | Falling edge | 2.18               | 2.28 | 2.38               |      |
| V <sub>PVD3</sub>                   | PVD threshold 3         | Rising edge  | 2.38               | 2.48 | 2.58               |      |
|                                     |                         | Falling edge | 2.28               | 2.38 | 2.48               |      |
| V <sub>PVD4</sub>                   | PVD threshold 4         | Rising edge  | 2.47               | 2.58 | 2.69               |      |
|                                     |                         | Falling edge | 2.37               | 2.48 | 2.59               |      |
| V <sub>PVD5</sub>                   | PVD threshold 5         | Rising edge  | 2.57               | 2.68 | 2.79               |      |
|                                     |                         | Falling edge | 2.47               | 2.58 | 2.69               |      |
| V <sub>PVD6</sub>                   | PVD threshold 6         | Rising edge  | 2.66               | 2.78 | 2.9                |      |
|                                     |                         | Falling edge | 2.56               | 2.68 | 2.8                |      |
| V <sub>PVD7</sub>                   | PVD threshold 7         | Rising edge  | 2.76               | 2.88 | 3                  |      |
|                                     |                         | Falling edge | 2.66               | 2.78 | 2.9                |      |
| V <sub>PVDhyst</sub> <sup>(2)</sup> | PVD hysteresis          | -            | -                  | 100  | -                  | mV   |
| IDD(PVD)                            | PVD current consumption | -            | -                  | 0.15 | 0.26               | μA   |

1. Guaranteed by characterization results.

2. Guaranteed by design.

### 6.3.4 Embedded reference voltage

The parameters given in [Table 27](#) are derived from tests performed under ambient temperature and  $V_{DD}$  supply voltage conditions summarized in [Table 23](#).

**Table 27. Embedded internal reference voltage**

| Symbol           | Parameter   | Conditions                             | Min  | Typ  | Max        | Unit                    |
|------------------|---|--|------|------|------------|-------------------------|
| $V_{REFINT}$     | Internal reference voltage                                    | $-40\text{ °C} < T_A < +105\text{ °C}$ | 1.20 | 1.23 | 1.25       | V                       |
| $T_{S\_vrefint}$ | ADC sampling time when reading the internal reference voltage | -                                      | 2.2  | -    | -          | $\mu\text{s}$           |
| $V_{RERINT}$     | Internal reference voltage spread over the temperature range  | $V_{DD} = 3\text{ V} \pm 10\text{ mV}$ | -    | -    | $10^{(1)}$ | mV                      |
| $T_{Coeff}$      | Temperature coefficient                                       | -                                      | -    | -    | 100<br>(1) | ppm/ $^{\circ}\text{C}$ |

1. Guaranteed by design.

**Table 28. Internal reference voltage calibration values**

| Calibration value name | Description  | Memory address            |
|------------------------|--|---------------------------|
| $V_{REFINT\_CAL}$      | Raw data acquired at temperature of $30\text{ °C}$<br>$V_{DDA} = 3.3\text{ V}$ | 0x1FFF F7BA - 0x1FFF F7BB |

### 6.3.5 Supply current characteristics

The current consumption is a function of several parameters and factors such as the operating voltage, ambient temperature, I/O pin loading, device software configuration, operating frequencies, I/O pin switching rate, program location in memory and executed binary code.

The current consumption is measured as described in [Figure 13: Current consumption measurement scheme](#).

All Run-mode current consumption measurements given in this section are performed with a reduced code that gives a consumption equivalent to CoreMark code.

*Note:* The total current consumption is the sum of  $I_{DD}$  and  $I_{DDA}$ .

**Typical and maximum current consumption**

The MCU is placed under the following conditions:

- All I/O pins are in input mode with a static value at V<sub>DD</sub> or V<sub>SS</sub> (no load)
- All peripherals are disabled except when explicitly mentioned
- The Flash memory access time is adjusted to the f<sub>HCLK</sub> frequency (0 wait state from 0 to 24 MHz, 1 wait state from 24 to 48 MHz and 2 wait states from 48 to 72 MHz)
- Prefetch in ON (reminder: this bit must be set before clock setting and bus prescaling)
- When the peripherals are enabled f<sub>PCLK2</sub> = f<sub>HCLK</sub> and f<sub>PCLK1</sub> = f<sub>HCLK</sub>/2
- When f<sub>HCLK</sub> > 8 MHz, the PLL is ON and the PLL input is equal to HSI/2 (4 MHz) or HSE (8 MHz) in bypass mode.

The parameters given in [Table 29](#) to [Table 35](#) are derived from tests performed under ambient temperature and supply voltage conditions summarized in [Table 23](#).

**Table 29. Typical and maximum current consumption from VDD supply at VDD = 3.6V**

| Symbol          | Parameter  | Conditions                  | f <sub>HCLK</sub> | All peripherals enabled |                                     |       |        | All peripherals disabled |                                     |       |        | Unit |
|-----------------|--|-----------------------------|-------------------|-------------------------|-------------------------------------|-------|--------|--------------------------|-------------------------------------|-------|--------|------|
|                 |  |                             |                   | Typ                     | Max @ T <sub>A</sub> <sup>(1)</sup> |       |        | Typ                      | Max @ T <sub>A</sub> <sup>(1)</sup> |       |        |      |
|                 |  |                             |                   |                         | 25 °C                               | 85 °C | 105 °C |                          | 25 °C                               | 85 °C | 105 °C |      |
| I <sub>DD</sub> | Supply current in Run mode, executing from Flash | External clock (HSE bypass) | 72 MHz            | 45.7                    | 48.6                                | 50.0  | 52.0   | 25.5                     | 27.5                                | 28.1  | 28.8   | mA   |
|                 |  |                             | 64 MHz            | 40.6                    | 43.6                                | 44.5  | 46.4   | 22.7                     | 24.6                                | 25.2  | 25.9   |      |
|                 |  |                             | 48 MHz            | 30.8                    | 33.6                                | 34.1  | 35.5   | 17.3                     | 19.0                                | 19.5  | 20.0   |      |
|                 |  |                             | 32 MHz            | 21.0                    | 22.9                                | 23.5  | 25.6   | 11.7                     | 13.2                                | 13.7  | 14.1   |      |
|                 |  |                             | 24 MHz            | 16.0                    | 16.8                                | 18.0  | 18.9   | 9.0                      | 10.4                                | 10.8  | 11.4   |      |
|                 |  |                             | 8 MHz             | 5.4                     | 5.6                                 | 6.1   | 7.2    | 3.3                      | 3.3                                 | 3.8   | 4.2    |      |
|                 |  |                             | 1 MHz             | 1.1                     | 1.2                                 | 1.7   | 2.7    | 0.8                      | 0.9                                 | 1.3   | 1.6    |      |
|                 |  | Internal clock (HSI)        | 64 MHz            | 37.6                    | 41.3                                | 42.9  | 44.7   | 22.5                     | 24.7                                | 25.0  | 25.8   |      |
|                 |  |                             | 48 MHz            | 28.7                    | 32.3                                | 33.1  | 34.0   | 17.2                     | 19.1                                | 19.4  | 19.6   |      |
|                 |  |                             | 32 MHz            | 19.5                    | 22.0                                | 23.4  | 24.6   | 11.5                     | 12.9                                | 13.5  | 13.7   |      |
|                 |  |                             | 24 MHz            | 14.9                    | 16.6                                | 17.9  | 18.4   | 6.0                      | 7.0                                 | 7.4   | 7.9    |      |
|                 |  |                             | 8 MHz             | 5.2                     | 5.5                                 | 6.4   | 7.0    | 3.2                      | 3.8                                 | 4.3   | 4.7    |      |

Table 29. Typical and maximum current consumption from VDD supply at VDD = 3.6V (continued)

| Symbol          | Parameter   | Conditions                  | f <sub>HCLK</sub> | All peripherals enabled |                                     |       |                     | All peripherals disabled |                                     |       |                     | Unit |
|-----------------|---|-----------------------------|-------------------|-------------------------|-------------------------------------|-------|---------------------|--------------------------|-------------------------------------|-------|---------------------|------|
|                 |   |                             |                   | Typ                     | Max @ T <sub>A</sub> <sup>(1)</sup> |       |                     | Typ                      | Max @ T <sub>A</sub> <sup>(1)</sup> |       |                     |      |
|                 |   |                             |                   |                         | 25 °C                               | 85 °C | 105 °C              |                          | 25 °C                               | 85 °C | 105 °C              |      |
| I <sub>DD</sub> | Supply current in Run mode, executing from RAM            | External clock (HSE bypass) | 72 MHz            | 45.8                    | 49.1 <sup>(2)</sup>                 | 50.1  | 51.4 <sup>(2)</sup> | 25.1                     | 27.3 <sup>(2)</sup>                 | 28.0  | 28.6 <sup>(2)</sup> | mA   |
|                 |   |                             | 64 MHz            | 40.8                    | 43.6                                | 44.9  | 46.9                | 22.3                     | 24.1                                | 25.0  | 25.5                |      |
|                 |   |                             | 48 MHz            | 30.2                    | 32.9                                | 33.5  | 34.8                | 17.0                     | 18.7                                | 19.1  | 19.6                |      |
|                 |   |                             | 32 MHz            | 20.5                    | 23.1                                | 24.1  | 25.4                | 11.1                     | 12.2                                | 13.2  | 13.3                |      |
|                 |   |                             | 24 MHz            | 15.4                    | 17.1                                | 18.3  | 19.5                | 8.5                      | 9.7                                 | 10.1  | 10.2                |      |
|                 |   |                             | 8 MHz             | 5.0                     | 5.9                                 | 6.3   | 6.9                 | 3.1                      | 3.7                                 | 4.1   | 4.7                 |      |
|                 |   |                             | 1 MHz             | 0.8                     | 1.1                                 | 1.9   | 2.6                 | 0.5                      | 0.8                                 | 1.2   | 1.4                 |      |
|                 |   | Internal clock (HSI)        | 64 MHz            | 37.3                    | 41.1                                | 41.8  | 43.3                | 22.0                     | 23.8                                | 24.4  | 24.9                |      |
|                 |   |                             | 48 MHz            | 28.0                    | 31.1                                | 31.6  | 33.2                | 16.4                     | 18.0                                | 18.3  | 18.6                |      |
|                 |   |                             | 32 MHz            | 18.8                    | 21.3                                | 22.1  | 23.1                | 10.9                     | 11.9                                | 12.8  | 13.1                |      |
|                 |   |                             | 24 MHz            | 14.2                    | 15.9                                | 16.8  | 17.9                | 5.5                      | 6.4                                 | 6.7   | 7.3                 |      |
|                 |   |                             | 8 MHz             | 4.8                     | 5.1                                 | 6.0   | 6.5                 | 2.9                      | 3.5                                 | 4.1   | 4.2                 |      |
| I <sub>DD</sub> | Supply current in Sleep mode, executing from Flash or RAM | External clock (HSE bypass) | 72 MHz            | 30.0                    | 32.8 <sup>(2)</sup>                 | 33.1  | 34.1 <sup>(2)</sup> | 5.9                      | 6.8 <sup>(2)</sup>                  | 6.9   | 7.4 <sup>(2)</sup>  | mA   |
|                 |   |                             | 64 MHz            | 26.7                    | 29.2                                | 29.6  | 30.5                | 5.3                      | 5.9                                 | 6.2   | 6.7                 |      |
|                 |   |                             | 48 MHz            | 16.7                    | 18.5                                | 19.0  | 19.7                | 3.6                      | 4.5                                 | 4.5   | 5.3                 |      |
|                 |   |                             | 32 MHz            | 13.3                    | 14.9                                | 15.3  | 15.4                | 2.9                      | 3.7                                 | 3.8   | 4.3                 |      |
|                 |   |                             | 24 MHz            | 10.2                    | 11.4                                | 12.0  | 12.3                | 2.2                      | 2.7                                 | 2.9   | 3.2                 |      |
|                 |   |                             | 8 MHz             | 3.6                     | 4.4                                 | 4.8   | 5.3                 | 0.9                      | 1.2                                 | 1.5   | 2.1                 |      |
|                 |   |                             | 1 MHz             | 0.5                     | 0.8                                 | 1.1   | 1.3                 | 0.1                      | 0.4                                 | 0.8   | 0.8                 |      |
|                 |   | Internal clock (HSI)        | 64 MHz            | 23.2                    | 25.3                                | 25.6  | 26.2                | 5.0                      | 5.7                                 | 6.1   | 6.2                 |      |
|                 |   |                             | 48 MHz            | 17.5                    | 19.2                                | 19.4  | 19.9                | 3.9                      | 4.7                                 | 4.8   | 5.3                 |      |
|                 |   |                             | 32 MHz            | 11.7                    | 12.9                                | 13.2  | 13.3                | 2.6                      | 3.4                                 | 3.6   | 4.2                 |      |
|                 |   |                             | 24 MHz            | 8.9                     | 10.2                                | 10.6  | 10.8                | 1.4                      | 2.1                                 | 2.4   | 2.7                 |      |
|                 |   |                             | 8 MHz             | 3.4                     | 4.0                                 | 4.6   | 5.1                 | 0.7                      | 1.1                                 | 1.4   | 1.9                 |      |

1. Guaranteed by characterization results.
2. Data based on characterization results and tested in production with code executing from RAM.

**Table 30. Typical and maximum current consumption from the V<sub>DDA</sub> supply**

| Symbol           | Parameter  | Conditions (1) | f <sub>HCLK</sub> | V <sub>DDA</sub> = 2.4 V |                          |       |                    | V <sub>DDA</sub> = 3.6 V |                          |       |                    | Unit |
|------------------|--|----------------|-------------------|--------------------------|--------------------------|-------|--------------------|--------------------------|--------------------------|-------|--------------------|------|
|                  |  |                |                   | Typ                      | Max @ T <sub>A</sub> (2) |       |                    | Typ                      | Max @ T <sub>A</sub> (2) |       |                    |      |
|                  |  |                |                   |                          | 25 °C                    | 85 °C | 105 °C             |                          | 25 °C                    | 85 °C | 105 °C             |      |
| I <sub>DDA</sub> | Supply current in Run/Sleep mode, code executing from Flash or RAM | HSE bypass     | 72 MHz            | 231                      | 254 <sup>(3)</sup>       | 266   | 271 <sup>(3)</sup> | 251                      | 274 <sup>(3)</sup>       | 294   | 300 <sup>(3)</sup> | μA   |
|                  |  |                | 64 MHz            | 203                      | 226                      | 239   | 243                | 222                      | 245                      | 261   | 266                |      |
|                  |  |                | 48 MHz            | 153                      | 174                      | 182   | 186                | 165                      | 185                      | 198   | 203                |      |
|                  |  |                | 32 MHz            | 105                      | 124                      | 131   | 133                | 114                      | 132                      | 141   | 143                |      |
|                  |  |                | 24 MHz            | 82                       | 98                       | 104   | 105                | 89                       | 106                      | 111   | 113                |      |
|                  |  |                | 8 MHz             | 3.1                      | 4.1                      | 4.1   | 5.1                | 3.6                      | 4.7                      | 5.2   | 5.5                |      |
|                  |  | HSI clock      | 64 MHz            | 270                      | 294                      | 307   | 312                | 296                      | 322                      | 338   | 343                |      |
|                  |  |                | 48 MHz            | 219                      | 242                      | 253   | 257                | 240                      | 263                      | 276   | 281                |      |
|                  |  |                | 32 MHz            | 171                      | 192                      | 201   | 203                | 188                      | 209                      | 219   | 222                |      |
|                  |  |                | 24 MHz            | 148                      | 169                      | 175   | 177                | 163                      | 182                      | 190   | 193                |      |
|                  |  |                | 8 MHz             | 69                       | 84                       | 87    | 87                 | 79                       | 92                       | 94    | 96                 |      |

1. Current consumption from the V<sub>DDA</sub> supply is independent of whether the peripherals are on or off. Furthermore when the PLL is off, I<sub>DDA</sub> is independent from the frequency.
2. Guaranteed by characterization results.
3. Data based on characterization results and tested in production.

**Table 31. Typical and maximum V<sub>DD</sub> consumption in Stop and Standby modes**

| Symbol          | Parameter                      | Conditions                                       | Typ @V <sub>DD</sub> (V <sub>DD</sub> =V <sub>DDA</sub> ) |       |       |       |       |       | Max <sup>(1)</sup>     |                        |                         | Unit |
|-----------------|--------------------------------|--|---|-------|-------|-------|-------|-------|------------------------|------------------------|-------------------------|------|
|                 |                                |  | 2.0 V   | 2.4 V | 2.7 V | 3.0 V | 3.3 V | 3.6 V | T <sub>A</sub> = 25 °C | T <sub>A</sub> = 85 °C | T <sub>A</sub> = 105 °C |      |
| I <sub>DD</sub> | Supply current in Stop mode    | Regulator in run mode, all oscillators OFF       | 16.92   | 17.09 | 17.16 | 17.27 | 17.39 | 17.50 | 29.7                   | 359.1                  | 564.5                   | μA   |
|                 |                                | Regulator in low-power mode, all oscillators OFF | 5.29  | 5.46  | 5.55  | 5.70  | 5.73  | 5.95  | 16.40                  | 267.1                  | 407.4                   |      |
|                 | Supply current in Standby mode | LSI ON and IWDG ON                               | 0.80  | 0.93  | 1.11  | 1.19  | 1.31  | 1.41  | -                      | -                      | -                       |      |
|                 |                                | LSI OFF and IWDG OFF                             | 0.63  | 0.76  | 0.84  | 0.95  | 1.02  | 1.10  | 5.00                   | 6.30                   | 12.60                   |      |

1. Guaranteed by characterization results.



**Table 32. Typical and maximum  $V_{DDA}$  consumption in Stop and Standby modes**

| Symbol    | Parameter                      | Conditions   | Typ @ $V_{DD}$ ( $V_{DD} = V_{DDA}$ ) |       |       |       |       |       | Max <sup>(1)</sup>               |                                  |                                   | Unit          |
|-----------|--------------------------------|--|---------------------------------------|-------|-------|-------|-------|-------|----------------------------------|----------------------------------|-----------------------------------|---------------|
|           |                                |  | 2.0 V                                 | 2.4 V | 2.7 V | 3.0 V | 3.3 V | 3.6 V | $T_A = 25\text{ }^\circ\text{C}$ | $T_A = 85\text{ }^\circ\text{C}$ | $T_A = 105\text{ }^\circ\text{C}$ |               |
| $I_{DDA}$ | Supply current in Stop mode    | $V_{DDA}$ supervisor ON<br>Regulator in run/low-power mode, all oscillators OFF  | 1.70                                  | 1.83  | 1.95  | 2.08  | 2.22  | 2.37  | 3.40                             | 5.30                             | 5.5                               | $\mu\text{A}$ |
|           | Supply current in Standby mode | $V_{DDA}$ supervisor ON<br>LSI ON and IWDG ON                                    | 2.08                                  | 2.25  | 2.41  | 2.59  | 2.79  | 3.01  | -                                | -                                | -                                 |               |
|           |                                | $V_{DDA}$ supervisor ON<br>LSI OFF and IWDG OFF                                  | 1.59                                  | 1.72  | 1.83  | 1.96  | 2.10  | 2.25  | 2.80                             | 2.90                             | 3.60                              |               |
|           | Supply current in Stop mode    | $V_{DDA}$ supervisor OFF<br>Regulator in run/low-power mode, all oscillators OFF | 0.99                                  | 1.01  | 1.04  | 1.09  | 1.14  | 1.21  | -                                | -                                | -                                 |               |
|           | Supply current in Standby mode | $V_{DDA}$ supervisor OFF<br>LSI ON and IWDG ON                                   | 1.36                                  | 1.43  | 1.50  | 1.60  | 1.72  | 1.85  | -                                | -                                | -                                 |               |
|           |                                | $V_{DDA}$ supervisor OFF<br>LSI OFF and IWDG OFF                                 | 0.87                                  | 0.89  | 0.92  | 0.97  | 1.02  | 1.09  | -                                | -                                | -                                 |               |

1. Guaranteed by characterization results.

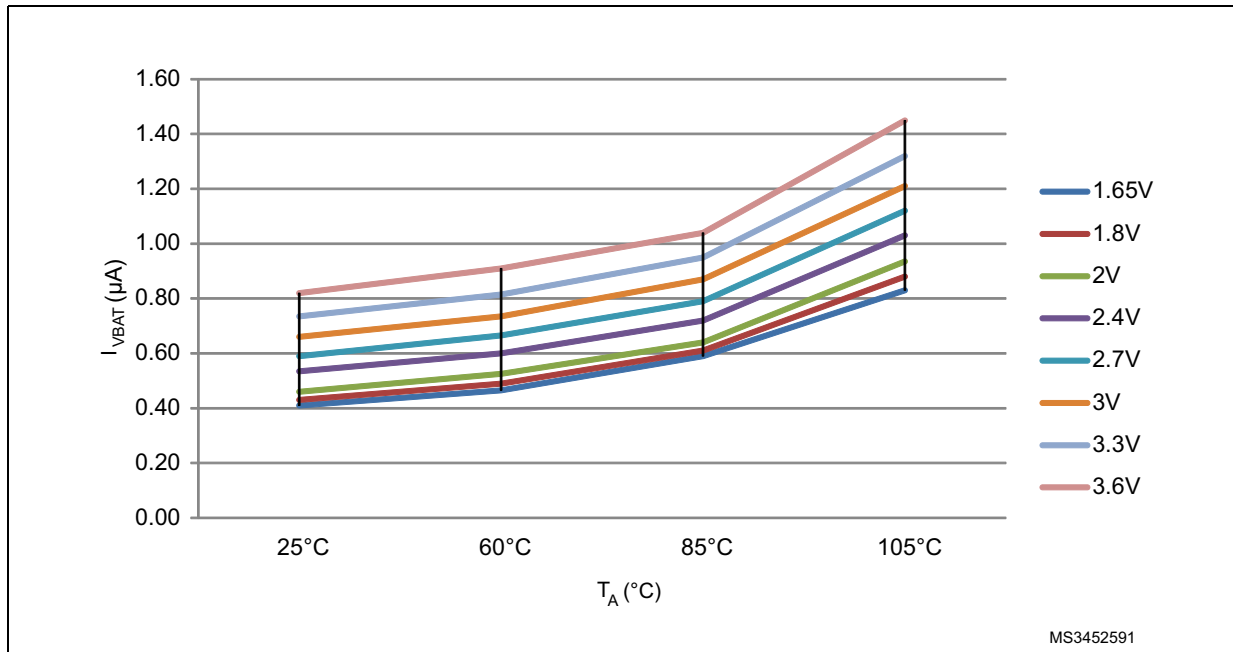
**Table 33. Typical and maximum current consumption from  $V_{BAT}$  supply**

| Symbol         | Parameter                    | Conditions <sup>(1)</sup>   | Typ.@ $V_{BAT}$ |      |      |      |      |      |      |      | Max.<br>@ $V_{BAT} = 3.6\text{V}^{(2)}$<br>$T_A$ ( $^\circ\text{C}$ ) |    |     | Unit          |
|----------------|------------------------------|---|-----------------|------|------|------|------|------|------|------|---|----|-----|---------------|
|                |                              |   | 1.65V           | 1.8V | 2V   | 2.4V | 2.7V | 3V   | 3.3V | 3.6V | 25  | 85 | 105 |               |
| $I_{DD\_VBAT}$ | Backup domain supply current | LSE & RTC ON; "Xtal mode" lower driving capability; LSEDRV[1:0] = '00'  | 0.41            | 0.43 | 0.46 | 0.54 | 0.59 | 0.66 | 0.74 | 0.82 | -   | -  | -   | $\mu\text{A}$ |
|                |                              | LSE & RTC ON; "Xtal mode" higher driving capability; LSEDRV[1:0] = '11' | 0.65            | 0.68 | 0.73 | 0.80 | 0.87 | 0.95 | 1.03 | 1.14 | -   | -  | -   |               |

1. Crystal used: Abracon ABS07-120-32.768 kHz-T with a CL of 6 pF for typical values.

2. Guaranteed by characterization results.

Figure 14. Typical  $V_{BAT}$  current consumption (LSE and RTC ON/LSEDRV[1:0] = '00')



### Typical current consumption

The MCU is placed under the following conditions:

- $V_{DD} = V_{DDA} = 3.3\text{ V}$
- All I/O pins available on each package are in analog input configuration
- The Flash access time is adjusted to  $f_{HCLK}$  frequency (0 wait states from 0 to 24 MHz, 1 wait state from 24 to 48 MHz and 2 wait states from 48 MHz to 72 MHz), and Flash prefetch is ON
- When the peripherals are enabled,  $f_{APB1} = f_{AHB}/2$ ,  $f_{APB2} = f_{AHB}$
- PLL is used for frequencies greater than 8 MHz
- AHB prescaler of 2, 4, 8, 16 and 64 is used for the frequencies 4 MHz, 2 MHz, 1 MHz, 500 kHz and 125 kHz respectively.

**Table 34. Typical current consumption in Run mode, code with data processing running from Flash**

| Symbol   | Parameter  | Conditions  | f <sub>HCLK</sub> | Typ                 |                      | Unit |
|--|--|---|-------------------|---------------------|----------------------|------|
|  |  |   |                   | Peripherals enabled | Peripherals disabled |      |
| I <sub>DD</sub>                                | Supply current in Run mode from V <sub>DD</sub> supply             | Running from HSE crystal clock 8 MHz, code executing from Flash | 72 MHz            | 44.8                | 24.9                 | mA   |
|  |  |   | 64 MHz            | 40.0                | 22.4                 |      |
|  |  |   | 48 MHz            | 30.3                | 17.1                 |      |
|  |  |   | 32 MHz            | 20.7                | 11.9                 |      |
|  |  |   | 24 MHz            | 15.8                | 9.2                  |      |
|  |  |   | 16 MHz            | 10.9                | 6.5                  |      |
|  |  |   | 8 MHz             | 5.7                 | 3.55                 |      |
|  |  |   | 4 MHz             | 3.43                | 3.22                 |      |
|  |  |   | 2 MHz             | 2.18                | 1.53                 |      |
|  |  |   | 1 MHz             | 1.56                | 1.19                 |      |
|  |  |   |                   |                     | 500 kHz              |      |
|  |  | 125 kHz   | 0.96              | 0.84                |                      |      |
| I <sub>D<sub>DA</sub></sub> <sup>(1) (2)</sup> | Supply current in Run mode from V <sub>D<sub>DA</sub></sub> supply | Running from HSE crystal clock 8 MHz, code executing from Flash | 72 MHz            | 237.1               |                      | μA   |
|  |  |   | 64 MHz            | 208.3               |                      |      |
|  |  |   | 48 MHz            | 154.3               |                      |      |
|  |  |   | 32 MHz            | 105.0               |                      |      |
|  |  |   | 24 MHz            | 81.3                |                      |      |
|  |  |   | 16 MHz            | 57.8                |                      |      |
|  |  |   | 8 MHz             | 1.15                |                      |      |
|  |  |   | 4 MHz             | 1.15                |                      |      |
|  |  |   | 2 MHz             | 1.15                |                      |      |
|  |  |   | 1 MHz             | 1.15                |                      |      |
|  |  |   |                   |                     | 500 kHz              |      |
|  |  | 125 kHz   | 1.15              |                     |                      |      |

1. V<sub>D<sub>DA</sub></sub> supervisor is OFF.
2. When peripherals are enabled, the power consumption of the analog part of peripherals such as ADC, DAC, Comparators, OpAmp etc. is not included. Refer to the tables of characteristics in the subsequent sections.

**Table 35. Typical current consumption in Sleep mode, code running from Flash or RAM**

| Symbol                              | Parameter   | Conditions   | f <sub>HCLK</sub> | Typ                 |                      | Unit |
|-------------------------------------|---|--|-------------------|---------------------|----------------------|------|
|                                     |   |  |                   | Peripherals enabled | Peripherals disabled |      |
| I <sub>DD</sub>                     | Supply current in Sleep mode from V <sub>DD</sub> supply  | Running from HSE crystal clock 8 MHz, code executing from Flash or RAM | 72 MHz            | 28.7                | 6.1                  | mA   |
|                                     |   |  | 64 MHz            | 25.6                | 5.5                  |      |
|                                     |   |  | 48 MHz            | 19.3                | 4.26                 |      |
|                                     |   |  | 32 MHz            | 13.1                | 3.04                 |      |
|                                     |   |  | 24 MHz            | 10.0                | 2.42                 |      |
|                                     |   |  | 16 MHz            | 6.8                 | 1.81                 |      |
|                                     |   |  | 8 MHz             | 3.54                | 0.98                 |      |
|                                     |   |  | 4 MHz             | 2.35                | 0.88                 |      |
|                                     |   |  | 2 MHz             | 1.64                | 0.80                 |      |
|                                     |   |  | 1 MHz             | 1.28                | 0.77                 |      |
|                                     |   |  | 500 kHz           | 1.11                | 0.75                 |      |
| 125 kHz                             | 0.92  | 0.74   |                   |                     |                      |      |
| I <sub>DDA</sub> <sup>(1) (2)</sup> | Supply current in Sleep mode from V <sub>DDA</sub> supply | Running from HSE crystal clock 8 MHz, code executing from Flash or RAM | 72 MHz            | 237.1               |                      | μA   |
|                                     |   |  | 64 MHz            | 208.3               |                      |      |
|                                     |   |  | 48 MHz            | 154.3               |                      |      |
|                                     |   |  | 32 MHz            | 105.0               |                      |      |
|                                     |   |  | 24 MHz            | 81.3                |                      |      |
|                                     |   |  | 16 MHz            | 57.8                |                      |      |
|                                     |   |  | 8 MHz             | 1.15                |                      |      |
|                                     |   |  | 4 MHz             | 1.15                |                      |      |
|                                     |   |  | 2 MHz             | 1.15                |                      |      |
|                                     |   |  | 1 MHz             | 1.15                |                      |      |
|                                     |   |  | 500 kHz           | 1.15                |                      |      |
| 125 kHz                             | 1.15  |  |                   |                     |                      |      |

1. V<sub>DDA</sub> supervisor is OFF.
2. When peripherals are enabled, the power consumption of the analog part of peripherals such as ADC, DAC, Comparators, OpAmp etc. is not included. Refer to the tables of characteristics in the subsequent sections.

### I/O system current consumption

The current consumption of the I/O system has two components: static and dynamic.

#### I/O static current consumption

All the I/Os used as inputs with pull-up generate current consumption when the pin is externally held low. The value of this current consumption can be simply computed by using the pull-up/pull-down resistors values given in [Table 53: I/O static characteristics](#).

For the output pins, any external pull-down or external load must also be considered to estimate the current consumption.

Additional I/O current consumption is due to I/Os configured as inputs if an intermediate voltage level is externally applied. This current consumption is caused by the input Schmitt trigger circuits used to discriminate the input value. Unless this specific configuration is required by the application, this supply current consumption can be avoided by configuring these I/Os in analog mode. This is notably the case of ADC input pins which should be configured as analog inputs.

**Caution:** Any floating input pin can also settle to an intermediate voltage level or switch inadvertently, as a result of external electromagnetic noise. To avoid current consumption related to floating pins, they must either be configured in analog mode, or forced internally to a definite digital value. This can be done either by using pull-up/down resistors or by configuring the pins in output mode.

#### I/O dynamic current consumption

In addition to the internal peripheral current consumption (see [Table 37: Peripheral current consumption](#)), the I/Os used by an application also contribute to the current consumption. When an I/O pin switches, it uses the current from the MCU supply voltage to supply the I/O pin circuitry and to charge/discharge the capacitive load (internal or external) connected to the pin:

$$I_{SW} = V_{DD} \times f_{SW} \times C$$

where

$I_{SW}$  is the current sunk by a switching I/O to charge/discharge the capacitive load

$V_{DD}$  is the MCU supply voltage

$f_{SW}$  is the I/O switching frequency

$C$  is the total capacitance seen by the I/O pin:  $C = C_{INT} + C_{EXT} + C_S$

The test pin is configured in push-pull output mode and is toggled by software at a fixed frequency.

Table 36. Switching output I/O current consumption

| Symbol          | Parameter               | Conditions <sup>(1)</sup>  | I/O toggling frequency (f <sub>sw</sub> ) | Typ  | Unit |
|-----------------|-------------------------|--|---|------|------|
| I <sub>sw</sub> | I/O current consumption | $V_{DD} = 3.3\text{ V}$<br>$C_{ext} = 0\text{ pF}$<br>$C = C_{INT} + C_{EXT} + C_S$  | 2 MHz                                     | 0.90 | mA   |
|                 |                         |  | 4 MHz                                     | 0.93 |      |
|                 |                         |  | 8 MHz                                     | 1.16 |      |
|                 |                         |  | 18 MHz                                    | 1.60 |      |
|                 |                         |  | 36 MHz                                    | 2.51 |      |
|                 |                         |  | 48 MHz                                    | 2.97 |      |
|                 |                         | $V_{DD} = 3.3\text{ V}$<br>$C_{ext} = 10\text{ pF}$<br>$C = C_{INT} + C_{EXT} + C_S$ | 2 MHz                                     | 0.93 |      |
|                 |                         |  | 4 MHz                                     | 1.06 |      |
|                 |                         |  | 8 MHz                                     | 1.47 |      |
|                 |                         |  | 18 MHz                                    | 2.26 |      |
|                 |                         |  | 36 MHz                                    | 3.39 |      |
|                 |                         |  | 48 MHz                                    | 5.99 |      |
|                 |                         | $V_{DD} = 3.3\text{ V}$<br>$C_{ext} = 22\text{ pF}$<br>$C = C_{INT} + C_{EXT} + C_S$ | 2 MHz                                     | 1.03 |      |
|                 |                         |  | 4 MHz                                     | 1.30 |      |
|                 |                         |  | 8 MHz                                     | 1.79 |      |
|                 |                         |  | 18 MHz                                    | 3.01 |      |
|                 |                         |  | 36 MHz                                    | 5.99 |      |
|                 |                         | $V_{DD} = 3.3\text{ V}$<br>$C_{ext} = 33\text{ pF}$<br>$C = C_{INT} + C_{EXT} + C_S$ | 2 MHz                                     | 1.10 |      |
|                 |                         |  | 4 MHz                                     | 1.31 |      |
|                 |                         |  | 8 MHz                                     | 2.06 |      |
|                 |                         |  | 18 MHz                                    | 3.47 |      |
|                 |                         |  | 36 MHz                                    | 8.35 |      |
|                 |                         | $V_{DD} = 3.3\text{ V}$<br>$C_{ext} = 47\text{ pF}$<br>$C = C_{INT} + C_{EXT} + C_S$ | 2 MHz                                     | 1.20 |      |
|                 |                         |  | 4 MHz                                     | 1.54 |      |
| 8 MHz           | 2.46                    |  |   |      |      |
| 18 MHz          | 4.51                    |  |   |      |      |

1. CS = 5 pF (estimated value).

**On-chip peripheral current consumption**

The MCU is placed under the following conditions:

- all I/O pins are in analog input configuration
- all peripherals are disabled unless otherwise mentioned
- the given value is calculated by measuring the current consumption
  - with all peripherals clocked off
  - with only one peripheral clocked on
- ambient operating temperature at 25°C and  $V_{DD} = V_{DDA} = 3.3\text{ V}$ .

Table 37. Peripheral current consumption

| Peripheral                 | Typical consumption <sup>(1)</sup> | Unit   |
|----------------------------|------------------------------------|--------|
|                            | I <sub>DD</sub>                    |        |
| BusMatrix <sup>(2)</sup>   | 11.3                               | μA/MHz |
| DMA1                       | 6.7                                |        |
| CRC                        | 2.0                                |        |
| GPIOA                      | 8.5                                |        |
| GPIOB                      | 8.3                                |        |
| GPIOC                      | 8.6                                |        |
| GIOD                       | 1.5                                |        |
| GPIOF                      | 1.0                                |        |
| TSC                        | 4.7                                |        |
| ADC1                       | 15.9                               |        |
| APB2-Bridge <sup>(3)</sup> | 2.7                                |        |
| SYSCFG                     | 3.2                                |        |
| TIM1                       | 27.6                               |        |
| USART1                     | 21.0                               |        |
| TIM15                      | 14.3                               |        |
| TIM16                      | 10.1                               |        |
| TIM17                      | 10.4                               |        |
| APB1-Bridge <sup>(3)</sup> | 5.8                                |        |
| TIM2                       | 40.7                               |        |
| TIM6                       | 7.4                                |        |
| WWDG                       | 4.6                                |        |
| SPI2                       | 35.2                               |        |
| SPI3                       | 34.2                               |        |
| USART2                     | 13.9                               |        |
| USART3                     | 13.1                               |        |
| I2C1                       | 9.4                                |        |
| I2C2                       | 9.4                                |        |
| PWR                        | 4.5                                |        |
| DAC                        | 8.3                                |        |
| I2C3                       | 10.5                               |        |

1. The power consumption of the analog part (I<sub>DDA</sub>) of peripherals such as ADC, DAC, Comparators, OpAmp etc. is not included. Refer to the tables of characteristics in the subsequent sections.
2. BusMatrix is automatically active when at least one master is ON (CPU or DMA1).
3. The APBx bridge is automatically active when at least one peripheral is ON on the same bus.



### 6.3.6 Wakeup time from low-power mode

The wakeup times given in [Table 38](#) are measured starting from the wakeup event trigger up to the first instruction executed by the CPU:

- For Stop or Sleep mode: the wakeup event is WFE.
- WKUP1 (PA0) pin is used to wakeup from Standby, Stop and Sleep modes.

All timings are derived from tests performed under ambient temperature and  $V_{DD}$  supply voltage conditions summarized in [Table 23](#).

**Table 38. Low-power mode wakeup timings**

| Symbol                                | Parameter                | Conditions                  | Typ @V <sub>DD</sub> , V <sub>DD</sub> = V <sub>DDA</sub> |       |       |      |       |       | Max | Unit             |
|---------------------------------------|--------------------------|-----------------------------|---|-------|-------|------|-------|-------|-----|------------------|
|                                       |                          |                             | 2.0 V   | 2.4 V | 2.7 V | 3 V  | 3.3 V | 3.6 V |     |                  |
| t <sub>WUSTOP</sub>                   | Wakeup from Stop mode    | Regulator in run mode       | 4.5   | 4.2   | 4.1   | 4.0  | 3.8   | 3.8   | 4.5 | μs               |
|                                       |                          | Regulator in low-power mode | 8.2   | 7.0   | 6.4   | 6.0  | 5.7   | 5.5   | 9.0 |                  |
| t <sub>WUSTANDBY</sub> <sup>(1)</sup> | Wakeup from Standby mode | LSI and IWDG OFF            | 72.8  | 63.4  | 59.2  | 56.1 | 53.1  | 51.3  | 103 |                  |
| t <sub>WUSLEEP</sub>                  | Wakeup from Sleep mode   | -                           | 6   |       |       |      |       |       | -   | CPU clock cycles |

1. Guaranteed by characterization results.

### 6.3.7 External clock source characteristics

#### High-speed external user clock generated from an external source

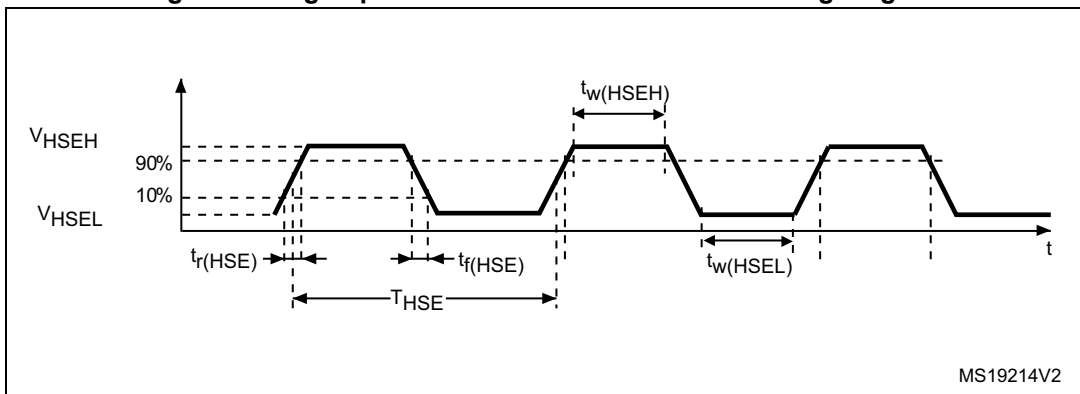
In bypass mode the HSE oscillator is switched off and the input pin is a standard GPIO. The external clock signal has to respect the I/O characteristics in [Section 6.3.14](#). However, the recommended clock input waveform is shown in [Figure 15](#).

**Table 39. High-speed external user clock characteristics**

| Symbol                         | Parameter   | Conditions | Min         | Typ | Max         | Unit |
|--------------------------------|---|------------|-------------|-----|-------------|------|
| $f_{HSE\_ext}$                 | User external clock source frequency <sup>(1)</sup> | -          | 1           | 8   | 32          | MHz  |
| $V_{HSEH}$                     | OSC_IN input pin high level voltage                 | -          | $0.7V_{DD}$ | -   | $V_{DD}$    | V    |
| $V_{HSEL}$                     | OSC_IN input pin low level voltage                  | -          | $V_{SS}$    | -   | $0.3V_{DD}$ |      |
| $t_{w(HSEH)}$<br>$t_{w(HSEL)}$ | OSC_IN high or low time <sup>(1)</sup>              | -          | 15          | -   | -           | ns   |
| $t_r(HSE)$<br>$t_f(HSE)$       | OSC_IN rise or fall time <sup>(1)</sup>             | -          | -           | -   | 20          |      |

1. Guaranteed by design.

**Figure 15. High-speed external clock source AC timing diagram**



MS19214V2

**Low-speed external user clock generated from an external source**

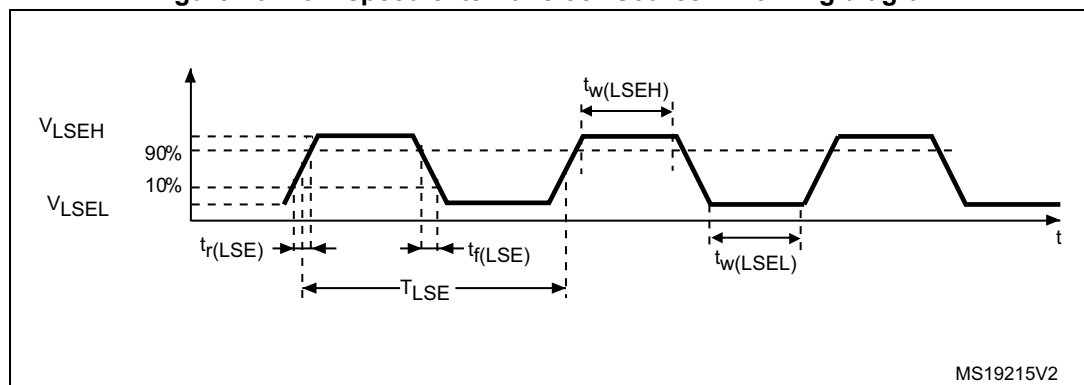
In bypass mode the LSE oscillator is switched off and the input pin is a standard GPIO. The external clock signal has to respect the I/O characteristics in [Section 6.3.14](#). However, the recommended clock input waveform is shown in [Figure 16](#)

**Table 40. Low-speed external user clock characteristics**

| Symbol                         | Parameter   | Conditions | Min         | Typ    | Max         | Unit |
|--------------------------------|---|------------|-------------|--------|-------------|------|
| $f_{LSE\_ext}$                 | User External clock source frequency <sup>(1)</sup> |            | -           | 32.768 | 1000        | kHz  |
| $V_{LSEH}$                     | OSC32_IN input pin high level voltage               |            | $0.7V_{DD}$ | -      | $V_{DD}$    | V    |
| $V_{LSEL}$                     | OSC32_IN input pin low level voltage                |            | $V_{SS}$    | -      | $0.3V_{DD}$ |      |
| $t_{w(LSEH)}$<br>$t_{w(LSEL)}$ | OSC32_IN high or low time <sup>(1)</sup>            | -          | 450         | -      | -           | ns   |
| $t_{r(LSE)}$<br>$t_{f(LSE)}$   | OSC32_IN rise or fall time <sup>(1)</sup>           |            | -           | -      | 50          |      |

1. Guaranteed by design.

**Figure 16. Low-speed external clock source AC timing diagram**



MS19215V2

**High-speed external clock generated from a crystal/ceramic resonator**

The high-speed external (HSE) clock can be supplied with a 4 to 32 MHz crystal/ceramic resonator oscillator. All the information given in this paragraph are based on design simulation results obtained with typical external components specified in [Table 41](#). In the application, the resonator and the load capacitors have to be placed as close as possible to the oscillator pins in order to minimize output distortion and startup stabilization time. Refer to the crystal resonator manufacturer for more details on the resonator characteristics (frequency, package, accuracy).

**Table 41. HSE oscillator characteristics**

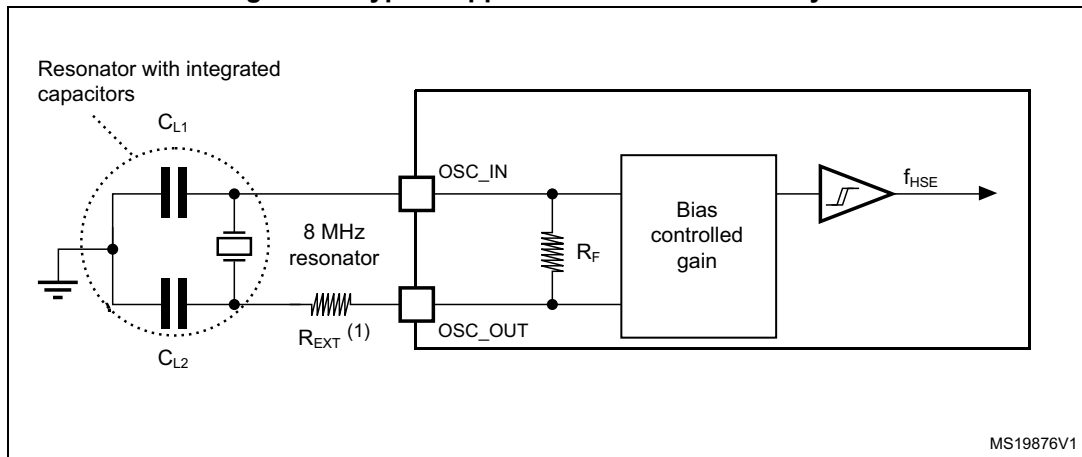
| Symbol                              | Parameter                   | Conditions <sup>(1)</sup>                                     | Min <sup>(2)</sup> | Typ | Max <sup>(2)</sup> | Unit |
|-------------------------------------|-----------------------------|---|--------------------|-----|--------------------|------|
| f <sub>OSC_IN</sub>                 | Oscillator frequency        | -   | 4                  | 8   | 32                 | MHz  |
| R <sub>F</sub>                      | Feedback resistor           | -   | -                  | 200 | -                  | kΩ   |
| I <sub>DD</sub>                     | HSE current consumption     | During startup <sup>(3)</sup>                                 | -                  | -   | 8.5                | mA   |
|                                     |                             | V <sub>DD</sub> =3.3 V, R <sub>m</sub> = 30Ω, CL=10 pF@8 MHz  | -                  | 0.4 | -                  |      |
|                                     |                             | V <sub>DD</sub> =3.3 V, R <sub>m</sub> = 45Ω, CL=10 pF@8 MHz  | -                  | 0.5 | -                  |      |
|                                     |                             | V <sub>DD</sub> =3.3 V, R <sub>m</sub> = 30Ω, CL= 5 pF@32 MHz | -                  | 0.8 | -                  |      |
|                                     |                             | V <sub>DD</sub> =3.3 V, R <sub>m</sub> = 30Ω, CL=10 pF@32 MHz | -                  | 1   | -                  |      |
|                                     |                             | V <sub>DD</sub> =3.3 V, R <sub>m</sub> = 30Ω, CL=20 pF@32 MHz | -                  | 1.5 | -                  |      |
| g <sub>m</sub>                      | Oscillator transconductance | Startup   | 10                 | -   | -                  | mA/V |
| t <sub>SU(HSE)</sub> <sup>(4)</sup> | Startup time                | V <sub>DD</sub> is stabilized                                 | -                  | 2   | -                  | ms   |

1. Resonator characteristics given by the crystal/ceramic resonator manufacturer.
2. Guaranteed by design.
3. This consumption level occurs during the first 2/3 of the t<sub>SU(HSE)</sub> startup time.
4. t<sub>SU(HSE)</sub> is the startup time measured from the moment it is enabled (by software) to a stabilized 8 MHz oscillation is reached. This value is measured for a standard crystal resonator and it can vary significantly with the crystal manufacturer.

For  $C_{L1}$  and  $C_{L2}$ , it is recommended to use high-quality external ceramic capacitors in the 5 pF to 25 pF range (Typ.), designed for high-frequency applications, and selected to match the requirements of the crystal or resonator (see [Figure 17](#)).  $C_{L1}$  and  $C_{L2}$  are usually the same size. The crystal manufacturer typically specifies a load capacitance which is the series combination of  $C_{L1}$  and  $C_{L2}$ . PCB and MCU pin capacitance must be included (10 pF can be used as a rough estimate of the combined pin and board capacitance) when sizing  $C_{L1}$  and  $C_{L2}$ .

*Note:* For information on selecting the crystal, refer to the application note AN2867 “Oscillator design guide for ST microcontrollers” available from the ST website [www.st.com](http://www.st.com).

**Figure 17. Typical application with an 8 MHz crystal**



1.  $R_{EXT}$  value depends on the crystal characteristics.

**Low-speed external clock generated from a crystal/ceramic resonator**

The low-speed external (LSE) clock can be supplied with a 32.768 kHz crystal/ceramic resonator oscillator. All the information given in this paragraph are based on design simulation results obtained with typical external components specified in [Table 42](#). In the application, the resonator and the load capacitors have to be placed as close as possible to the oscillator pins in order to minimize output distortion and startup stabilization time. Refer to the crystal resonator manufacturer for more details on the resonator characteristics (frequency, package, accuracy).

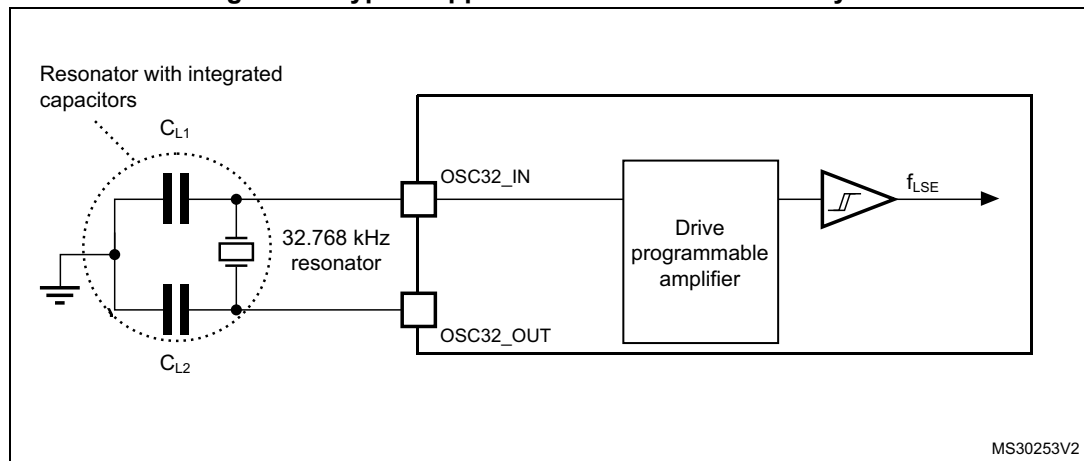
**Table 42. LSE oscillator characteristics (f<sub>LSE</sub> = 32.768 kHz)**

| Symbol                              | Parameter                   | Conditions <sup>(1)</sup>                        | Min <sup>(2)</sup> | Typ | Max <sup>(2)</sup> | Unit |
|-------------------------------------|-----------------------------|--|--------------------|-----|--------------------|------|
| I <sub>DD</sub>                     | LSE current consumption     | LSEDRV[1:0]=00<br>lower driving capability       | -                  | 0.5 | 0.9                | μA   |
|                                     |                             | LSEDRV[1:0]=10<br>medium low driving capability  | -                  | -   | 1                  |      |
|                                     |                             | LSEDRV[1:0]=01<br>medium high driving capability | -                  | -   | 1.3                |      |
|                                     |                             | LSEDRV[1:0]=11<br>higher driving capability      | -                  | -   | 1.6                |      |
| g <sub>m</sub>                      | Oscillator transconductance | LSEDRV[1:0]=00<br>lower driving capability       | 5                  | -   | -                  | μA/V |
|                                     |                             | LSEDRV[1:0]=10<br>medium low driving capability  | 8                  | -   | -                  |      |
|                                     |                             | LSEDRV[1:0]=01<br>medium high driving capability | 15                 | -   | -                  |      |
|                                     |                             | LSEDRV[1:0]=11<br>higher driving capability      | 25                 | -   | -                  |      |
| t <sub>SU(LSE)</sub> <sup>(3)</sup> | Startup time                | V <sub>DD</sub> is stabilized                    | -                  | 2   | -                  | s    |

1. Refer to the note and caution paragraphs below the table, and to the application note AN2867 “Oscillator design guide for ST microcontrollers”.
2. Guaranteed by design.
3. t<sub>SU(LSE)</sub> is the startup time measured from the moment it is enabled (by software) to a stabilized 32.768 kHz oscillation is reached. This value is measured for a standard crystal and it can vary significantly with the crystal manufacturer.

**Note:** For information on selecting the crystal, refer to the application note AN2867 “Oscillator design guide for ST microcontrollers” available from the ST website [www.st.com](http://www.st.com).

Figure 18. Typical application with a 32.768 kHz crystal



*Note:* An external resistor is not required between  $OSC32\_IN$  and  $OSC32\_OUT$  and it is forbidden to add one.

### 6.3.8 Internal clock source characteristics

The parameters given in [Table 43](#) are derived from tests performed under ambient temperature and supply voltage conditions summarized in [Table 23](#).

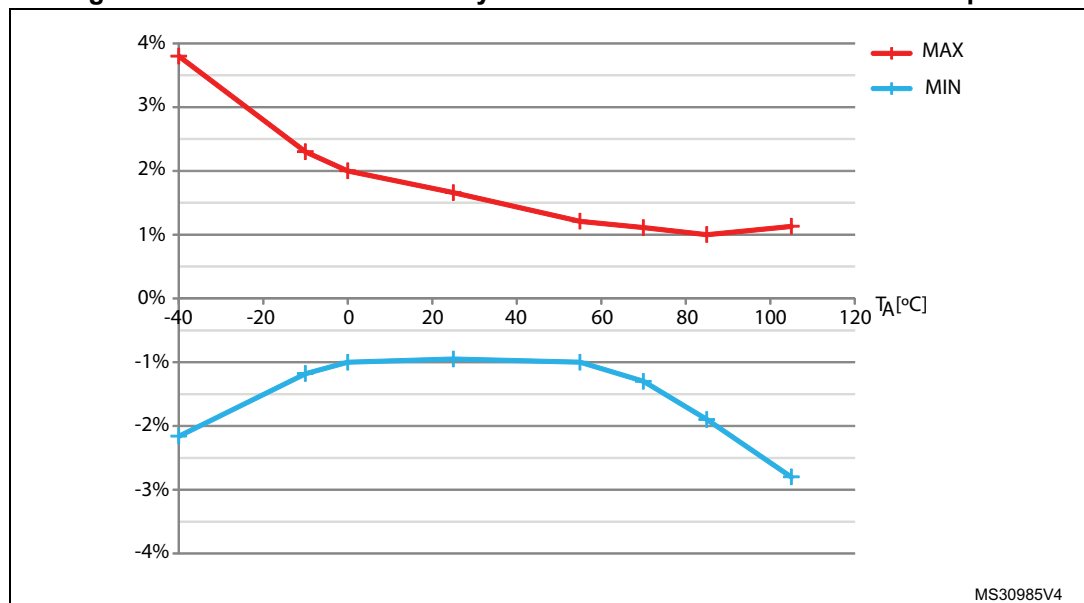
#### High-speed internal (HSI) RC oscillator

**Table 43. HSI oscillator characteristics<sup>(1)</sup>**

| Symbol                | Parameter                        | Conditions                           | Min                 | Typ | Max                | Unit |
|-----------------------|----------------------------------|--------------------------------------|---------------------|-----|--------------------|------|
| $f_{\text{HSI}}$      | Frequency                        | -                                    | -                   | 8   | -                  | MHz  |
| TRIM                  | HSI user trimming step           | -                                    | -                   | -   | 1 <sup>(2)</sup>   | %    |
| DuCy <sub>(HSI)</sub> | Duty cycle                       | -                                    | 45 <sup>(2)</sup>   | -   | 55 <sup>(2)</sup>  | %    |
| ACC <sub>HSI</sub>    | Accuracy of the HSI oscillator   | T <sub>A</sub> = -40 to 105°C        | -2.8 <sup>(3)</sup> | -   | 3.8 <sup>(3)</sup> | %    |
|                       |                                  | T <sub>A</sub> = -10 to 85°C         | -1.9 <sup>(3)</sup> | -   | 2.3 <sup>(3)</sup> |      |
|                       |                                  | T <sub>A</sub> = 0 to 85°C           | -1.9 <sup>(3)</sup> | -   | 2 <sup>(3)</sup>   |      |
|                       |                                  | T <sub>A</sub> = 0 to 70°C           | -1.3 <sup>(3)</sup> | -   | 2 <sup>(3)</sup>   |      |
|                       |                                  | T <sub>A</sub> = 0 to 55°C           | -1 <sup>(3)</sup>   | -   | 2 <sup>(3)</sup>   |      |
|                       |                                  | T <sub>A</sub> = 25°C <sup>(4)</sup> | -1                  | -   | 1                  |      |
| t <sub>su(HSI)</sub>  | HSI oscillator startup time      | -                                    | 1 <sup>(2)</sup>    | -   | 2 <sup>(2)</sup>   | µs   |
| I <sub>DDA(HSI)</sub> | HSI oscillator power consumption | -                                    | -                   | 80  | 100 <sup>(2)</sup> | µA   |

1. V<sub>DDA</sub> = 3.3 V, T<sub>A</sub> = -40 to 105 °C unless otherwise specified.
2. Guaranteed by design.
3. Guaranteed by characterization results.
4. Factory calibrated, parts not soldered.

**Figure 19. HSI oscillator accuracy characterization results for soldered parts**



MS30985V4



### Low-speed internal (LSI) RC oscillator

**Table 44. LSI oscillator characteristics<sup>(1)</sup>**

| Symbol              | Parameter                        | Min | Typ  | Max | Unit    |
|---------------------|----------------------------------|-----|------|-----|---------|
| $f_{LSI}$           | Frequency                        | 30  | 40   | 50  | kHz     |
| $t_{su(LSI)}^{(2)}$ | LSI oscillator startup time      | -   | -    | 85  | $\mu$ s |
| $I_{DD(LSI)}^{(2)}$ | LSI oscillator power consumption | -   | 0.75 | 1.2 | $\mu$ A |

1.  $V_{DDA} = 3.3$  V,  $T_A = -40$  to  $105$  °C unless otherwise specified.
2. Guaranteed by design.

### 6.3.9 PLL characteristics

The parameters given in [Table 45](#) are derived from tests performed under ambient temperature and supply voltage conditions summarized in [Table 23](#).

**Table 45. PLL characteristics**

| Symbol         | Parameter                      | Value             |     |                    | Unit    |
|----------------|--------------------------------|-------------------|-----|--------------------|---------|
|                |                                | Min               | Typ | Max                |         |
| $f_{PLL\_IN}$  | PLL input clock <sup>(1)</sup> | 1 <sup>(2)</sup>  | -   | 24 <sup>(2)</sup>  | MHz     |
|                | PLL input clock duty cycle     | 40 <sup>(2)</sup> | -   | 60 <sup>(2)</sup>  | %       |
| $f_{PLL\_OUT}$ | PLL multiplier output clock    | 16 <sup>(2)</sup> | -   | 72                 | MHz     |
| $t_{LOCK}$     | PLL lock time                  | -                 | -   | 200 <sup>(2)</sup> | $\mu$ s |
| Jitter         | Cycle-to-cycle jitter          | -                 | -   | 300 <sup>(2)</sup> | ps      |

1. Take care of using the appropriate multiplier factors so as to have PLL input clock values compatible with the range defined by  $f_{PLL\_OUT}$ .
2. Guaranteed by design.

### 6.3.10 Memory characteristics

#### Flash memory

The characteristics are given at  $T_A = -40$  to  $105$  °C unless otherwise specified.

**Table 46. Flash memory characteristics**

| Symbol             | Parameter               | Conditions               | Min | Typ  | Max <sup>(1)</sup> | Unit |
|--------------------|-------------------------|--------------------------|-----|------|--------------------|------|
| $t_{\text{prog}}$  | 16-bit programming time | $T_A = -40$ to $+105$ °C | 40  | 53.5 | 60                 | µs   |
| $t_{\text{ERASE}}$ | Page (2 KB) erase time  | $T_A = -40$ to $+105$ °C | 20  | -    | 40                 | ms   |
| $t_{\text{ME}}$    | Mass erase time         | $T_A = -40$ to $+105$ °C | 20  | -    | 40                 | ms   |
| $I_{\text{DD}}$    | Supply current          | Write mode               | -   | -    | 10                 | mA   |
|                    |                         | Erase mode               | -   | -    | 12                 | mA   |

1. Guaranteed by design.

**Table 47. Flash memory endurance and data retention**

| Symbol           | Parameter      | Conditions  | Value              | Unit    |
|------------------|----------------|---|--------------------|---------|
|                  |                |   | Min <sup>(1)</sup> |         |
| $N_{\text{END}}$ | Endurance      | $T_A = -40$ to $+85$ °C (6 suffix versions)<br>$T_A = -40$ to $+105$ °C (7 suffix versions) | 10                 | kcycles |
| $t_{\text{RET}}$ | Data retention | 1 kcycle <sup>(2)</sup> at $T_A = 85$ °C  | 30                 | Years   |
|                  |                | 1 kcycle <sup>(2)</sup> at $T_A = 105$ °C   | 10                 |         |
|                  |                | 10 kcycles <sup>(2)</sup> at $T_A = 55$ °C  | 20                 |         |

1. Guaranteed by characterization results.

2. Cycling performed over the whole temperature range.

### 6.3.11 EMC characteristics

Susceptibility tests are performed on a sample basis during device characterization.

#### Functional EMS (electromagnetic susceptibility)

While a simple application is executed on the device (toggling 2 LEDs through I/O ports), the device is stressed by two electromagnetic events until a failure occurs. The failure is indicated by the LEDs:

- **Electrostatic discharge (ESD)** (positive and negative) is applied to all device pins until a functional disturbance occurs. This test is compliant with the IEC 61000-4-2 standard.
- **FTB:** A Burst of Fast Transient voltage (positive and negative) is applied to  $V_{DD}$  and  $V_{SS}$  through a 100 pF capacitor, until a functional disturbance occurs. This test is compliant with the IEC 61000-4-4 standard.

A device reset allows normal operations to be resumed.

The test results are given in [Table 48](#). They are based on the EMS levels and classes defined in application note AN1709.

**Table 48. EMS characteristics**

| Symbol     | Parameter   | Conditions   | Level/Class |
|------------|---|--|-------------|
| $V_{FESD}$ | Voltage limits to be applied on any I/O pin to induce a functional disturbance  | $V_{DD} = 3.3\text{ V}$ , LQFP64, $T_A = +25^\circ\text{C}$ ,<br>$f_{HCLK} = 72\text{ MHz}$<br>conforms to IEC 61000-4-2 | 2B          |
| $V_{EFTB}$ | Fast transient voltage burst limits to be applied through 100 pF on $V_{DD}$ and $V_{SS}$ pins to induce a functional disturbance | $V_{DD} = 3.3\text{ V}$ , LQFP64, $T_A = +25^\circ\text{C}$ ,<br>$f_{HCLK} = 72\text{ MHz}$<br>conforms to IEC 61000-4-4 | 4A          |

#### Designing hardened software to avoid noise problems

EMC characterization and optimization are performed at component level with a typical application environment and simplified MCU software. It should be noted that good EMC performance is highly dependent on the user application and the software in particular.

Therefore it is recommended that the user applies EMC software optimization and prequalification tests in relation with the EMC level requested for his application.

#### Software recommendations

The software flowchart must include the management of runaway conditions such as:

- Corrupted program counter
- Unexpected reset
- Critical Data corruption (control registers...)

**Prequalification trials**

Most of the common failures (unexpected reset and program counter corruption) can be reproduced by manually forcing a low state on the NRST pin or the Oscillator pins for 1 second.

To complete these trials, ESD stress can be applied directly on the device, over the range of specification values. When unexpected behavior is detected, the software can be hardened to prevent unrecoverable errors occurring (see application note AN1015).

**Electromagnetic Interference (EMI)**

The electromagnetic field emitted by the device are monitored while a simple application is executed (toggling 2 LEDs through the I/O ports). This emission test is compliant with IEC 61967-2 standard which specifies the test board and the pin loading.

**Table 49. EMI characteristics**

| Symbol           | Parameter  | Conditions   | Monitored frequency band | Max vs. [f <sub>HSE</sub> /f <sub>HCLK</sub> ] | Unit |
|------------------|------------|--|--------------------------|--|------|
|                  |            |  |                          | 8/72 MHz                                       |      |
| S <sub>EMI</sub> | Peak level | V <sub>DD</sub> = 3.3 V, T <sub>A</sub> = 25 °C, LQFP64 package compliant with IEC 61967-2 | 0.1 to 30 MHz            | 5  | dBμV |
|                  |            |  | 30 to 130 MHz            | 6  |      |
|                  |            |  | 130 MHz to 1GHz          | 28   |      |
|                  |            |  | SAE EMI Level            | 4  | -    |

**6.3.12 Electrical sensitivity characteristics**

Based on three different tests (ESD, LU) using specific measurement methods, the device is stressed in order to determine its performance in terms of electrical sensitivity.

**Electrostatic discharge (ESD)**

Electrostatic discharges (a positive then a negative pulse separated by 1 second) are applied to the pins of each sample according to each pin combination. The sample size depends on the number of supply pins in the device (3 parts × (n+1) supply pins). This test conforms to the JESD22-A114/C101 standard.

**Table 50. ESD absolute maximum ratings**

| Symbol                | Ratings   | Conditions   | Packages        | Class | Maximum value <sup>(1)</sup> | Unit |
|-----------------------|---|--|-----------------|-------|------------------------------|------|
| V <sub>ESD(HBM)</sub> | Electrostatic discharge voltage (human body model)    | T <sub>A</sub> = +25 °C, conforming to JESD22-A114       | All             | 2     | 2000                         | V    |
| V <sub>ESD(CDM)</sub> | Electrostatic discharge voltage (charge device model) | T <sub>A</sub> = +25 °C, conforming to ANSI/ESD STM5.3.1 | LQFP64, WLCSP49 | C3    | 250                          | V    |
|                       |   |  | All other       | C4    | 500                          |      |

1. Guaranteed by characterization results.

**Static latch-up**

Two complementary static tests are required on six parts to assess the latch-up performance:

- A supply overvoltage is applied to each power supply pin
- A current injection is applied to each input, output and configurable I/O pin

These tests are compliant with EIA/JESD 78A IC latch-up standard.

**Table 51. Electrical sensitivities**

| Symbol | Parameter             | Conditions                                     | Class     |
|--------|-----------------------|--|-----------|
| LU     | Static latch-up class | T <sub>A</sub> = +105 °C conforming to JESD78A | 2 level A |

**6.3.13 I/O current injection characteristics**

As a general rule, current injection to the I/O pins, due to external voltage below V<sub>SS</sub> or above V<sub>DD</sub> (for standard, 3 V-capable I/O pins) should be avoided during normal product operation. However, in order to give an indication of the robustness of the microcontroller in cases when abnormal injection accidentally happens, susceptibility tests are performed on a sample basis during device characterization.

**Functional susceptibility to I/O current injection**

While a simple application is executed on the device, the device is stressed by injecting current into the I/O pins programmed in floating input mode. While current is injected into the I/O pin, one at a time, the device is checked for functional failures.

The failure is indicated by an out of range parameter: ADC error above a certain limit (higher than 5 LSB TUE), out of conventional limits of induced leakage current on adjacent pins (out of -5 µA/+0 µA range), or other functional failure (for example reset occurrence or oscillator frequency deviation).

The test results are given in [Table 52](#)

**Table 52. I/O current injection susceptibility**

| Symbol           | Description  | Functional susceptibility |                    | Unit |
|------------------|--|---------------------------|--------------------|------|
|                  |  | Negative injection        | Positive injection |      |
| I <sub>INJ</sub> | Injected current on BOOT0  | -0                        | NA <sup>(1)</sup>  | mA   |
|                  | Injected current on PC0 pin (TTa pin)  | -0                        | +5                 |      |
|                  | Injected current PC0, PC1, PC2, PC3, PA0, PA1, PA2, PA3, PA4, PA6, PA7, PC4, PB0, PB10, PB11, PB13 with induced leakage current on other pins from this group less than -100 µA or more than +100 µA | -5                        | +5                 |      |
|                  | Injected current on any other TT, FT and FTf pins  | -5                        | NA <sup>(1)</sup>  |      |
|                  | Injected current on all other TC, TTa and RESET pins   | -5                        | +5                 |      |

1. Injection is not possible.

Note: It is recommended to add a Schottky diode (pin to ground) to analog pins which may potentially inject negative currents.

### 6.3.14 I/O port characteristics

#### General input/output characteristics

Unless otherwise specified, the parameters given in [Table 53](#) are derived from tests performed under the conditions summarized in [Table 23](#). All I/Os are CMOS and TTL compliant.

Table 53. I/O static characteristics

| Symbol    | Parameter   | Conditions  | Min                                   | Typ                | Max                                 | Unit       |
|-----------|---|---|---------------------------------------|--------------------|-------------------------------------|------------|
| $V_{IL}$  | Low level input voltage                           | TTa and TT I/O  | -                                     | -                  | $0.3 V_{DD} + 0.07$ <sup>(1)</sup>  | V          |
|           |   | FT and FTf I/O  | -                                     | -                  | $0.475 V_{DD} - 0.2$ <sup>(1)</sup> |            |
|           |   | BOOT0 I/O   | -                                     | -                  | $0.3 V_{DD} - 0.3$ <sup>(1)</sup>   |            |
|           |   | All I/Os except BOOT0   | -                                     | -                  | $0.3 V_{DD}$ <sup>(2)</sup>         |            |
| $V_{IH}$  | High level input voltage                          | TTa and TT I/O  | $0.445 V_{DD} + 0.398$ <sup>(1)</sup> | -                  | -                                   | V          |
|           |   | FT and FTf I/O  | $0.5 V_{DD} + 0.2$ <sup>(1)</sup>     | -                  | -                                   |            |
|           |   | BOOT0   | $0.2 V_{DD} + 0.95$ <sup>(1)</sup>    | -                  | -                                   |            |
|           |   | All I/Os except BOOT0   | $0.7 V_{DD}$ <sup>(2)</sup>           | -                  | -                                   |            |
| $V_{hys}$ | Schmitt trigger hysteresis                        | TC and TTa I/O  | -                                     | 200 <sup>(1)</sup> | -                                   | mV         |
|           |   | FT and FTf I/O  | -                                     | 100 <sup>(1)</sup> | -                                   |            |
|           |   | BOOT0   | -                                     | 300 <sup>(1)</sup> | -                                   |            |
| $I_{lkg}$ | Input leakage current <sup>(3)</sup>              | TC, FT and FTf I/O<br>TTa I/O in digital mode<br>$V_{SS} \leq V_{IN} \leq V_{DD}$ | -                                     | -                  | $\pm 0.1$                           | $\mu A$    |
|           |   | TTa I/O in digital mode<br>$V_{DD} \leq V_{IN} \leq V_{DDA}$                      | -                                     | -                  | 1                                   |            |
|           |   | TTa I/O in analog mode<br>$V_{SS} \leq V_{IN} \leq V_{DDA}$                       | -                                     | -                  | $\pm 0.2$                           |            |
|           |   | FT and FTf I/O <sup>(4)</sup><br>$V_{DD} \leq V_{IN} \leq 5 V$                    | -                                     | -                  | 10                                  |            |
| $R_{PU}$  | Weak pull-up equivalent resistor <sup>(5)</sup>   | $V_{IN} = V_{SS}$   | 25                                    | 40                 | 55                                  | k $\Omega$ |
| $R_{PD}$  | Weak pull-down equivalent resistor <sup>(5)</sup> | $V_{IN} = V_{DD}$   | 25                                    | 40                 | 55                                  | k $\Omega$ |
| $C_{IO}$  | I/O pin capacitance                               | -   | -                                     | 5                  | -                                   | pF         |

1. Data based on design simulation

2. Tested in production.

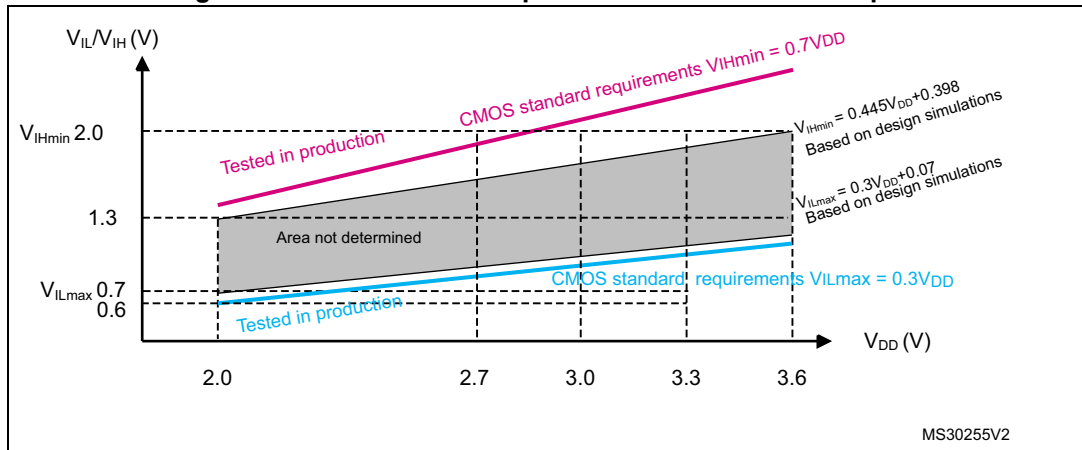
3. Leakage could be higher than the maximum value, if negative current is injected on adjacent pins. Refer to [Table 52: I/O current injection susceptibility](#).

4. To sustain a voltage higher than  $V_{DD} + 0.3 V$ , the internal pull-up/pull-down resistors must be disabled.

- 5. Pull-up and pull-down resistors are designed with a true resistance in series with a switchable PMOS/NMOS. This PMOS/NMOS contribution to the series resistance is minimum (~10% order).

All I/Os are CMOS and TTL compliant (no software configuration required). Their characteristics cover more than the strict CMOS-technology or TTL parameters. The coverage of these requirements is shown in [Figure 20](#) and [Figure 21](#) for standard I/Os.

**Figure 20. TC and TTa I/O input characteristics - CMOS port**



**Figure 21. TC and TTa I/O input characteristics - TTL port**

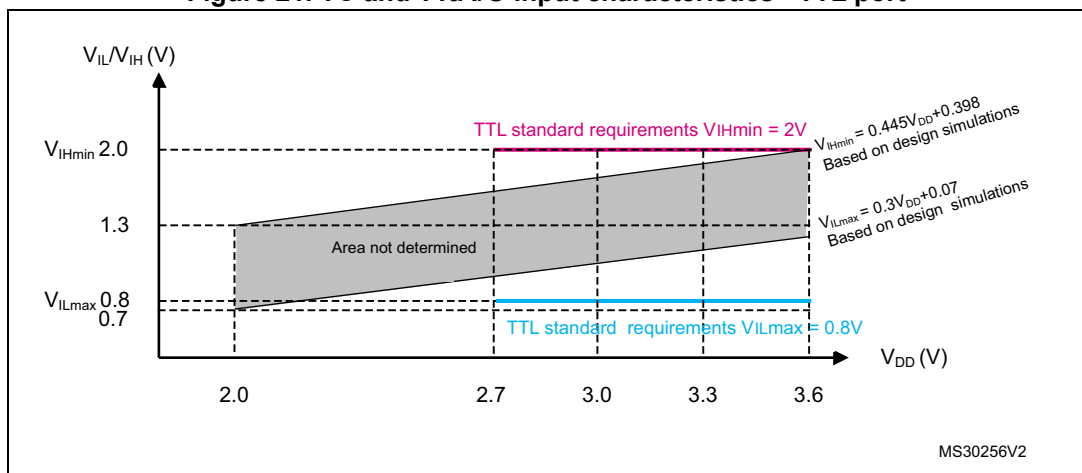


Figure 22. Five volt tolerant (FT and FTf) I/O input characteristics - CMOS port

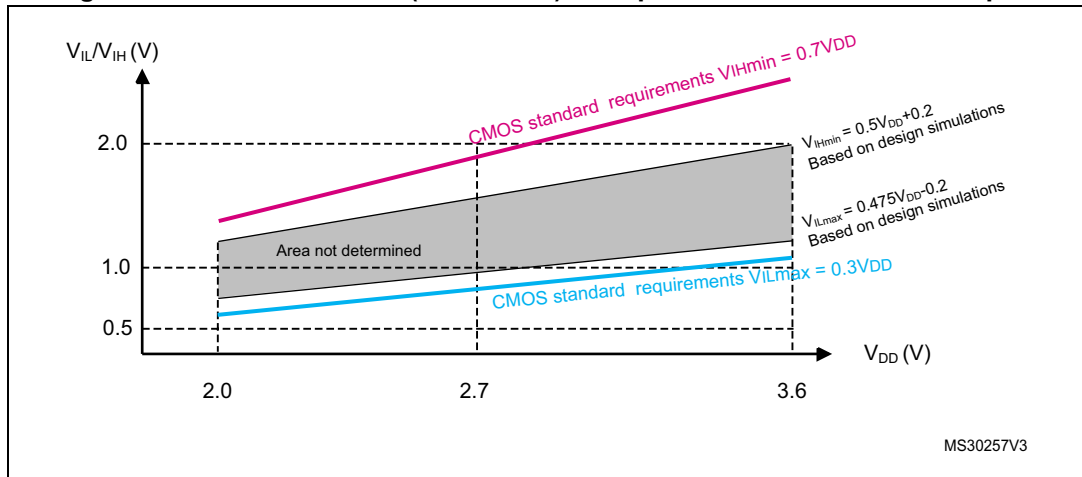
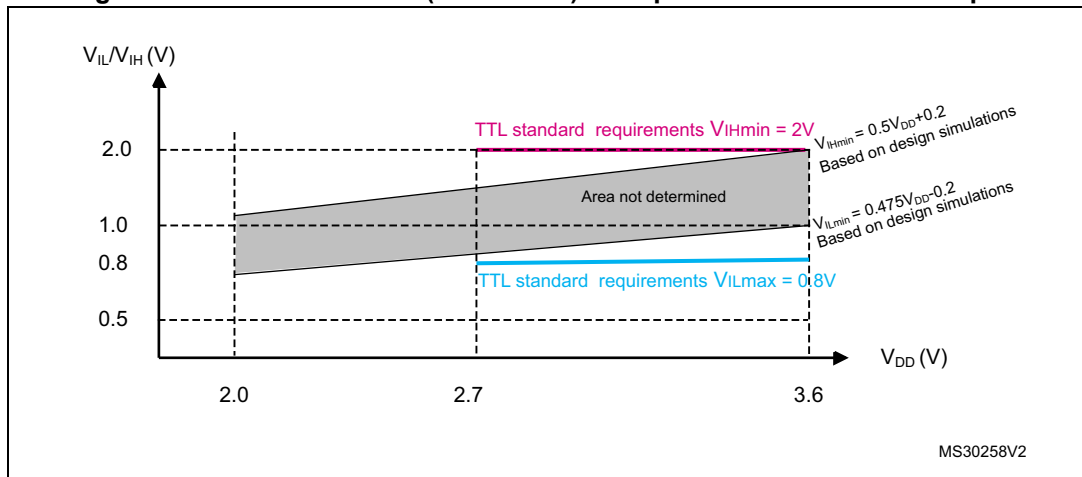


Figure 23. Five volt tolerant (FT and FTf) I/O input characteristics - TTL port





### Output driving current

The GPIOs (general purpose input/outputs) can sink or source up to +/-8 mA, and sink or source up to +/- 20 mA (with a relaxed  $V_{OL}/V_{OH}$ ).

In the user application, the number of I/O pins which can drive current must be limited to respect the absolute maximum rating specified in [Section 6.2](#):

- The sum of the currents sourced by all the I/Os on  $V_{DD}$ , plus the maximum Run consumption of the MCU sourced on  $V_{DD}$ , cannot exceed the absolute maximum rating  $\Sigma I_{VDD}$  (see [Table 21](#)).
- The sum of the currents sunk by all the I/Os on  $V_{SS}$  plus the maximum Run consumption of the MCU sunk on  $V_{SS}$  cannot exceed the absolute maximum rating  $\Sigma I_{VSS}$  (see [Table 21](#)).

### Output voltage levels

Unless otherwise specified, the parameters given in [Table 54](#) are derived from tests performed under ambient temperature and  $V_{DD}$  supply voltage conditions summarized in [Table 23](#). All I/Os (FT, TTa and TC unless otherwise specified) are CMOS and TTL compliant.

**Table 54. Output voltage characteristics**

| Symbol               | Parameter   | Conditions   | Min          | Max | Unit |
|----------------------|---|--|--------------|-----|------|
| $V_{OL}^{(1)}$       | Output low level voltage for an I/O pin                 | CMOS port <sup>(2)</sup><br>$I_{IO} = +8 \text{ mA}$<br>$2.7 \text{ V} < V_{DD} < 3.6 \text{ V}$ | -            | 0.4 | V    |
| $V_{OH}^{(3)}$       | Output high level voltage for an I/O pin                |  | $V_{DD}-0.4$ | -   |      |
| $V_{OL}^{(1)}$       | Output low level voltage for an I/O pin                 | TTL port <sup>(2)</sup><br>$I_{IO} = +8 \text{ mA}$<br>$2.7 \text{ V} < V_{DD} < 3.6 \text{ V}$  | -            | 0.4 |      |
| $V_{OH}^{(3)}$       | Output high level voltage for an I/O pin                |  | 2.4          | -   |      |
| $V_{OL}^{(1)(4)}$    | Output low level voltage for an I/O pin                 | $I_{IO} = +20 \text{ mA}$<br>$2.7 \text{ V} < V_{DD} < 3.6 \text{ V}$                            | -            | 1.3 |      |
| $V_{OH}^{(3)(4)}$    | Output high level voltage for an I/O pin                |  | $V_{DD}-1.3$ | -   |      |
| $V_{OL}^{(1)(4)}$    | Output low level voltage for an I/O pin                 | $I_{IO} = +6 \text{ mA}$<br>$2 \text{ V} < V_{DD} < 2.7 \text{ V}$                               | -            | 0.4 |      |
| $V_{OH}^{(3)(4)}$    | Output high level voltage for an I/O pin                |  | $V_{DD}-0.4$ | -   |      |
| $V_{OLFM+}^{(1)(4)}$ | Output low level voltage for an FTf I/O pin in FM+ mode | $I_{IO} = +20 \text{ mA}$<br>$2.7 \text{ V} < V_{DD} < 3.6 \text{ V}$                            | -            | 0.4 |      |

1. The  $I_{IO}$  current sunk by the device must always respect the absolute maximum rating specified in [Table 21](#) and the sum of  $I_{IO}$  (I/O ports and control pins) must not exceed  $\Sigma I_{IO(PIN)}$ .
2. TTL and CMOS outputs are compatible with JEDEC standards JESD36 and JESD52.
3. The  $I_{IO}$  current sourced by the device must always respect the absolute maximum rating specified in [Table 21](#) and the sum of  $I_{IO}$  (I/O ports and control pins) must not exceed  $\Sigma I_{IO(PIN)}$ .
4. Data based on design simulation.

**Input/output AC characteristics**

The definition and values of input/output AC characteristics are given in [Figure 24](#) and [Table 55](#), respectively.

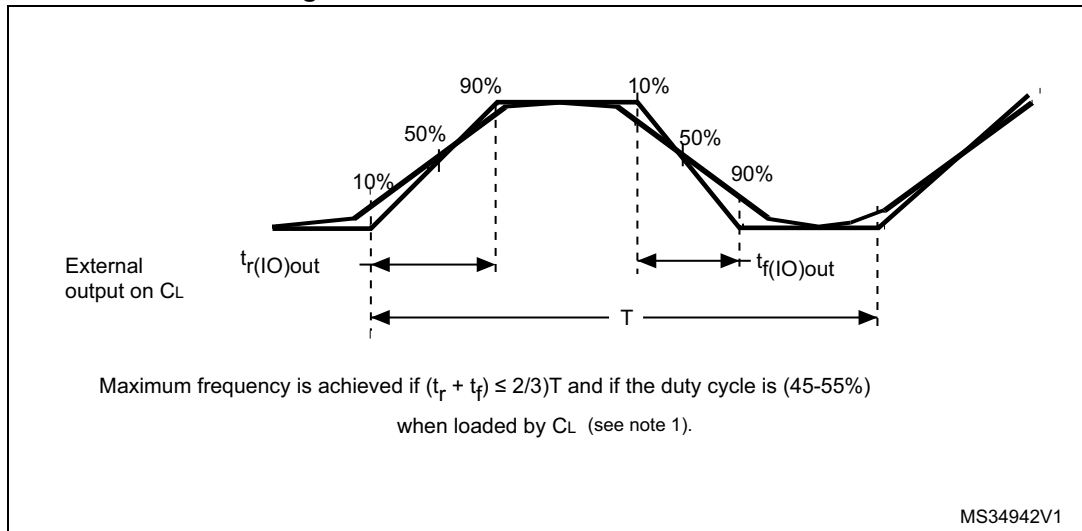
Unless otherwise specified, the parameters given are derived from tests performed under ambient temperature and  $V_{DD}$  supply voltage conditions summarized in [Table 23](#).

**Table 55. I/O AC characteristics<sup>(1)</sup>**

| OSPEEDRy [1:0] value <sup>(1)</sup> | Symbol           | Parameter   | Conditions  | Min | Max                | Unit |
|-------------------------------------|------------------|---|---|-----|--------------------|------|
| x0                                  | $f_{max(IO)out}$ | Maximum frequency <sup>(2)</sup>                                | $C_L = 50 \text{ pF}, V_{DD} = 2 \text{ V to } 3.6 \text{ V}$   | -   | 2 <sup>(3)</sup>   | MHz  |
|                                     | $t_{f(IO)out}$   | Output high to low level fall time                              | $C_L = 50 \text{ pF}, V_{DD} = 2 \text{ V to } 3.6 \text{ V}$   | -   | 125 <sup>(3)</sup> | ns   |
|                                     | $t_{r(IO)out}$   | Output low to high level rise time                              |   | -   | 125 <sup>(3)</sup> |      |
| 01                                  | $f_{max(IO)out}$ | Maximum frequency <sup>(2)</sup>                                | $C_L = 50 \text{ pF}, V_{DD} = 2 \text{ V to } 3.6 \text{ V}$   | -   | 10 <sup>(3)</sup>  | MHz  |
|                                     | $t_{f(IO)out}$   | Output high to low level fall time                              | $C_L = 50 \text{ pF}, V_{DD} = 2 \text{ V to } 3.6 \text{ V}$   | -   | 25 <sup>(3)</sup>  | ns   |
|                                     | $t_{r(IO)out}$   | Output low to high level rise time                              |   | -   | 25 <sup>(3)</sup>  |      |
| 11                                  | $f_{max(IO)out}$ | Maximum frequency <sup>(2)</sup>                                | $C_L = 30 \text{ pF}, V_{DD} = 2.7 \text{ V to } 3.6 \text{ V}$ | -   | 50 <sup>(3)</sup>  | MHz  |
|                                     |                  |   | $C_L = 50 \text{ pF}, V_{DD} = 2.7 \text{ V to } 3.6 \text{ V}$ | -   | 30 <sup>(3)</sup>  | MHz  |
|                                     |                  |   | $C_L = 50 \text{ pF}, V_{DD} = 2 \text{ V to } 2.7 \text{ V}$   | -   | 20 <sup>(3)</sup>  | MHz  |
|                                     | $t_{f(IO)out}$   | Output high to low level fall time                              | $C_L = 30 \text{ pF}, V_{DD} = 2.7 \text{ V to } 3.6 \text{ V}$ | -   | 5 <sup>(3)</sup>   | ns   |
|                                     |                  |   | $C_L = 50 \text{ pF}, V_{DD} = 2.7 \text{ V to } 3.6 \text{ V}$ | -   | 8 <sup>(3)</sup>   |      |
|                                     |                  |   | $C_L = 50 \text{ pF}, V_{DD} = 2 \text{ V to } 2.7 \text{ V}$   | -   | 12 <sup>(3)</sup>  |      |
|                                     | $t_{r(IO)out}$   | Output low to high level rise time                              | $C_L = 30 \text{ pF}, V_{DD} = 2.7 \text{ V to } 3.6 \text{ V}$ | -   | 5 <sup>(3)</sup>   |      |
|                                     |                  |   | $C_L = 50 \text{ pF}, V_{DD} = 2.7 \text{ V to } 3.6 \text{ V}$ | -   | 8 <sup>(3)</sup>   |      |
|                                     |                  |   | $C_L = 50 \text{ pF}, V_{DD} = 2 \text{ V to } 2.7 \text{ V}$   | -   | 12 <sup>(3)</sup>  |      |
| FM+ configuration <sup>(4)</sup>    | $f_{max(IO)out}$ | Maximum frequency <sup>(2)</sup>                                | $C_L = 50 \text{ pF}, V_{DD} = 2 \text{ V to } 3.6 \text{ V}$   | -   | 2 <sup>(4)</sup>   | MHz  |
|                                     | $t_{f(IO)out}$   | Output high to low level fall time                              |   | -   | 12 <sup>(4)</sup>  | ns   |
|                                     | $t_{r(IO)out}$   | Output low to high level rise time                              |   | -   | 34 <sup>(4)</sup>  |      |
| -                                   | $t_{EXTIpw}$     | Pulse width of external signals detected by the EXTI controller | -   | 10  | -                  | ns   |

1. The I/O speed is configured using the OSPEEDRx[1:0] bits. Refer to the RM0366 reference manual for a description of GPIO Port configuration register.
2. The maximum frequency is defined in [Figure 24](#).
3. Guaranteed by design.
4. The I/O speed configuration is bypassed in FM+ I/O mode. Refer to the STM32F301x6 STM32F301x8 reference manual RM0366 for a description of FM+ I/O mode configuration.

Figure 24. I/O AC characteristics definition



1. See [Table 55: I/O AC characteristics](#).

### 6.3.15 NRST pin characteristics

The NRST pin input driver uses CMOS technology. It is connected to a permanent pull-up resistor,  $R_{PU}$  (see [Table 53](#)).

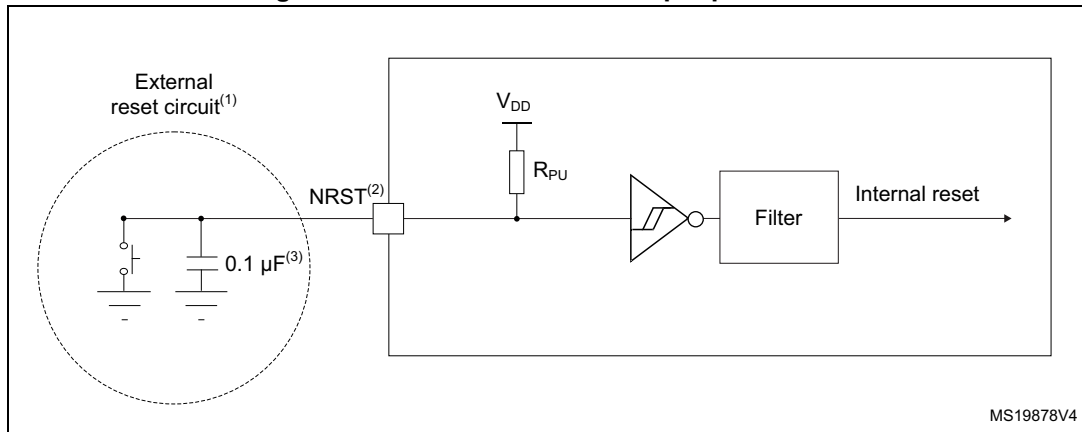
Unless otherwise specified, the parameters given in [Table 56](#) are derived from tests performed under ambient temperature and  $V_{DD}$  supply voltage conditions summarized in [Table 23](#).

Table 56. NRST pin characteristics

| Symbol               | Parameter                                       | Conditions        | Min                         | Typ | Max                      | Unit       |
|----------------------|---|-------------------|-----------------------------|-----|--------------------------|------------|
| $V_{IL(NRST)}^{(1)}$ | NRST Input low level voltage                    | -                 | -                           | -   | $0.3V_{DD} + 0.07^{(1)}$ | V          |
| $V_{IH(NRST)}^{(1)}$ | NRST Input high level voltage                   | -                 | $0.445V_{DD} + 0.398^{(1)}$ | -   | -                        |            |
| $V_{hys(NRST)}$      | NRST Schmitt trigger voltage hysteresis         | -                 | -                           | 200 | -                        | mV         |
| $R_{PU}$             | Weak pull-up equivalent resistor <sup>(2)</sup> | $V_{IN} = V_{SS}$ | 25                          | 40  | 55                       | k $\Omega$ |
| $V_{F(NRST)}^{(1)}$  | NRST Input filtered pulse                       | -                 | -                           | -   | $100^{(1)}$              | ns         |
| $V_{NF(NRST)}^{(1)}$ | NRST Input not filtered pulse                   | -                 | $500^{(1)}$                 | -   | -                        | ns         |

1. Guaranteed by design.
2. The pull-up is designed with a true resistance in series with a switchable PMOS. This PMOS contribution to the series resistance must be minimum (~10% order).

Figure 25. Recommended NRST pin protection



1. The reset network protects the device against parasitic resets. 0.1 uF capacitor must be placed as close as possible to the chip.
2. The user must ensure that the level on the NRST pin can go below the  $V_{IL(NRST)}$  max level specified in [Table 56](#). Otherwise the reset will not be taken into account by the device.
3. The user must place the external capacitor on NRST as close as possible to the chip.

### 6.3.16 Timer characteristics

The parameters given in [Table 57](#) are guaranteed by design.

Refer to [Section 6.3.14: I/O port characteristics](#) for details on the input/output alternate function characteristics (output compare, input capture, external clock, PWM output).

Table 57. TIMx<sup>(1)(2)</sup> characteristics

| Symbol             | Parameter                                    | Conditions   | Min    | Max                  | Unit          |
|--------------------|--|--|--------|----------------------|---------------|
| $t_{res(TIM)}$     | Timer resolution time                        | -  | 1      | -                    | $t_{TIMxCLK}$ |
|                    |  | $f_{TIMxCLK} = 72 \text{ MHz}$                           | 13.9   | -                    | ns            |
|                    |  | $f_{TIMxCLK} = 144 \text{ MHz}$ ,<br>$x = 1, 15, 16, 17$ | 6.95   | -                    | ns            |
| $f_{EXT}$          | Timer external clock frequency on CH1 to CH4 | -  | 0      | $f_{TIMxCLK}/2$      | MHz           |
|                    |  | $f_{TIMxCLK} = 72 \text{ MHz}$                           | 0      | 36                   | MHz           |
| Res <sub>TIM</sub> | Timer resolution                             | TIMx (except TIM2)                                       | -      | 16                   | bit           |
|                    |  | TIM2   | -      | 32                   |               |
| $t_{COUNTER}$      | 16-bit counter clock period                  | -  | 1      | 65536                | $t_{TIMxCLK}$ |
|                    |  | $f_{TIMxCLK} = 72 \text{ MHz}$                           | 0.0139 | 910                  | µs            |
|                    |  | $f_{TIMxCLK} = 144 \text{ MHz}$ ,<br>$x = 1/15/16/17$    | 0.0069 | 455                  | µs            |
| $t_{MAX\_COUNT}$   | Maximum possible count with 32-bit counter   | -  | -      | $65536 \times 65536$ | $t_{TIMxCLK}$ |
|                    |  | $f_{TIMxCLK} = 72 \text{ MHz}$                           | -      | 59.65                | s             |
|                    |  | $f_{TIMxCLK} = 144 \text{ MHz}$ ,<br>$x = 1/15/16/17$    | -      | 29.825               | s             |

1. TIMx is used as a general term to refer to the TIM1, TIM2, TIM15, TIM16 and TIM17 timers.

2. Guaranteed by design.

**Table 58. IWDG min/max timeout period at 40 kHz (LSI) <sup>(1)</sup>**

| Prescaler divider | PR[2:0] bits | Min timeout (ms) RL[11:0]=0x000 | Max timeout (ms) RL[11:0]=0xFF |
|-------------------|--------------|---------------------------------|--------------------------------|
| /4                | 0            | 0.1                             | 409.6                          |
| /8                | 1            | 0.2                             | 819.2                          |
| /16               | 2            | 0.4                             | 1638.4                         |
| /32               | 3            | 0.8                             | 3276.8                         |
| /64               | 4            | 1.6                             | 6553.6                         |
| /128              | 5            | 3.2                             | 13107.2                        |
| /256              | 7            | 6.4                             | 26214.4                        |

1. These timings are given for a 40 kHz clock but the microcontroller internal RC frequency can vary from 30 to 60 kHz. Moreover, given an exact RC oscillator frequency, the exact timings still depend on the phasing of the APB interface clock versus the LSI clock so that there is always a full RC period of uncertainty.

**Table 59. WWDG min-max timeout value @72 MHz (PCLK)<sup>(1)</sup>**

| Prescaler | WDGTB | Min timeout value | Max timeout value |
|-----------|-------|-------------------|-------------------|
| 1         | 0     | 0.05687           | 3.6409            |
| 2         | 1     | 0.1137            | 7.2817            |
| 4         | 2     | 0.2275            | 14.564            |
| 8         | 3     | 0.4551            | 29.127            |

1. Guaranteed by design.

### 6.3.17 Communications interfaces

#### I<sup>2</sup>C interface characteristics

The I2C interface meets the timings requirements of the I<sup>2</sup>C-bus specification and user manual rev. 03 for:

- Standard-mode (Sm): with a bit rate up to 100 kbit/s
- Fast-mode (Fm): with a bit rate up to 400 kbit/s
- Fast-mode Plus (Fm+): with a bit rate up to 1 Mbit/s.

The I2C timings requirements are guaranteed by design when the I2C peripheral is properly configured (refer to Reference manual).

The SDA and SCL I/O requirements are met with the following restrictions: the SDA and SCL I/O pins are not "true" open-drain. When configured as open-drain, the PMOS connected between the I/O pin and VDDIOx is disabled, but is still present. Only FTf I/O pins support Fm+ low level output current maximum requirement. Refer to [Section 6.3.14: I/O port characteristics](#) for the I2C I/Os characteristics.

All I2C SDA and SCL I/Os embed an analog filter. Refer to the table below for the analog filter characteristics:

**Table 60. I2C analog filter characteristics<sup>(1)</sup>**

| Symbol   | Parameter  | Min               | Max                | Unit |
|----------|--|-------------------|--------------------|------|
| $t_{AF}$ | Maximum pulse width of spikes that are suppressed by the analog filter | 50 <sup>(2)</sup> | 260 <sup>(3)</sup> | ns   |

1. Guaranteed by design.
2. Spikes with widths below  $t_{AF(min)}$  are filtered.
3. Spikes with widths above  $t_{AF(max)}$  are not filtered

**SPI/I<sup>2</sup>S characteristics**

Unless otherwise specified, the parameters given in [Table 61](#) for SPI or in [Table 62](#) for I<sup>2</sup>S are derived from tests performed under ambient temperature, f<sub>PCLKx</sub> frequency and V<sub>DD</sub> supply voltage conditions summarized in [Table 23](#).

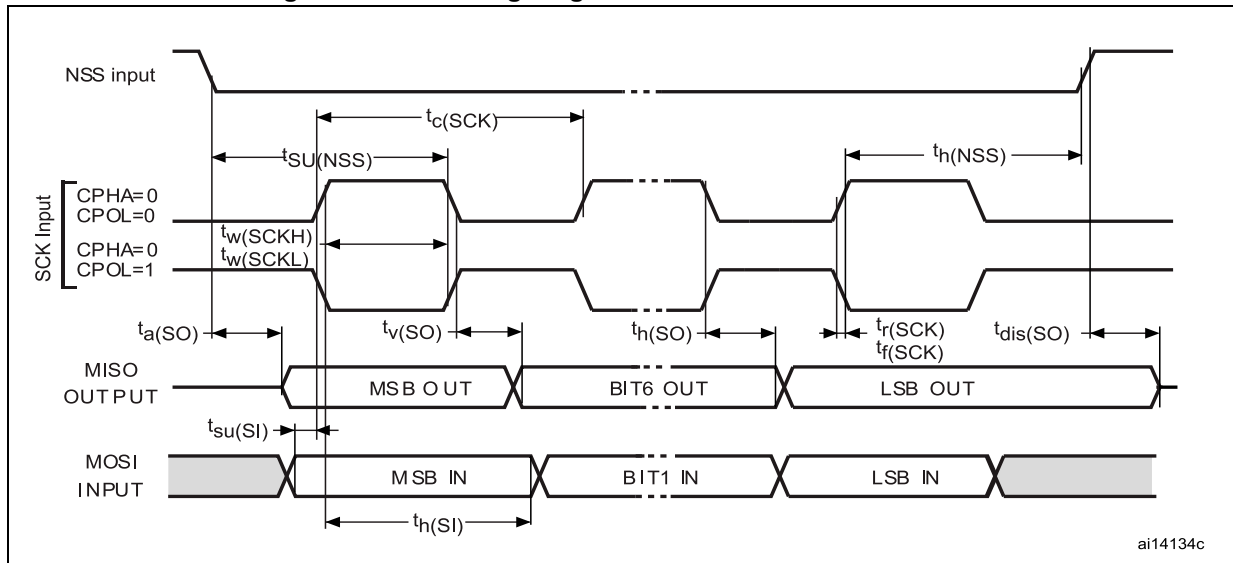
Refer to [Section 6.3.14: I/O port characteristics](#) for more details on the input/output alternate function characteristics (NSS, SCK, MOSI, MISO for SPI and WS, CK, SD for I<sup>2</sup>S).

**Table 61. SPI characteristics<sup>(1)</sup>**

| Symbol                                       | Parameter                | Conditions   | Min                         | Typ                      | Max                         | Unit |
|--|--------------------------|--|-----------------------------|--------------------------|-----------------------------|------|
| f <sub>SCK</sub><br>1/t <sub>c(SCK)</sub>    | SPI clock frequency      | Master mode  | -                           | -                        | 18                          | MHz  |
|  |                          | Slave mode   | -                           | -                        | 18                          |      |
| t <sub>su(NSS)</sub>                         | NSS setup time           | Slave mode, SPI presc = 2                          | 4* <i>T</i> <sub>pclk</sub> | -                        | -                           | ns   |
| t <sub>h(NSS)</sub>                          | NSS hold time            | Slave mode, SPI presc = 2                          | 2* <i>T</i> <sub>pclk</sub> | -                        | -                           |      |
| t <sub>w(SCKH)</sub><br>t <sub>w(SCKL)</sub> | SCK high and low time    | Master mode, f <sub>PCLK</sub> = 36 MHz, presc = 4 | <i>T</i> <sub>pclk</sub> -2 | <i>T</i> <sub>pclk</sub> | <i>T</i> <sub>pclk</sub> +2 |      |
| t <sub>su(MI)</sub><br>t <sub>su(SI)</sub>   | Data input setup time    | Master mode  | 0                           | -                        | -                           |      |
|  |                          | Slave mode   | 1                           | -                        | -                           |      |
| t <sub>h(MI)</sub><br>t <sub>h(SI)</sub>     | Data input hold time     | Master mode  | 6.5                         | -                        | -                           |      |
|  |                          | Slave mode   | 2.5                         | -                        | -                           |      |
| t <sub>a(SO)</sub>                           | Data output access time  | Slave mode   | 8                           | -                        | 40                          |      |
| t <sub>dis(SO)</sub>                         | Data output disable time | Slave mode   | 8                           | -                        | 14                          |      |
| t <sub>v(SO)</sub><br>t <sub>v(MO)</sub>     | Data output valid time   | Slave mode   | -                           | 12                       | 27                          |      |
|  |                          | Master mode  | -                           | 1.5                      | 4                           |      |
| t <sub>h(SO)</sub><br>t <sub>h(MO)</sub>     | Data output hold time    | Slave mode   | 7.5                         | -                        | -                           |      |
|  |                          | Master mode  | 0                           | -                        | -                           |      |

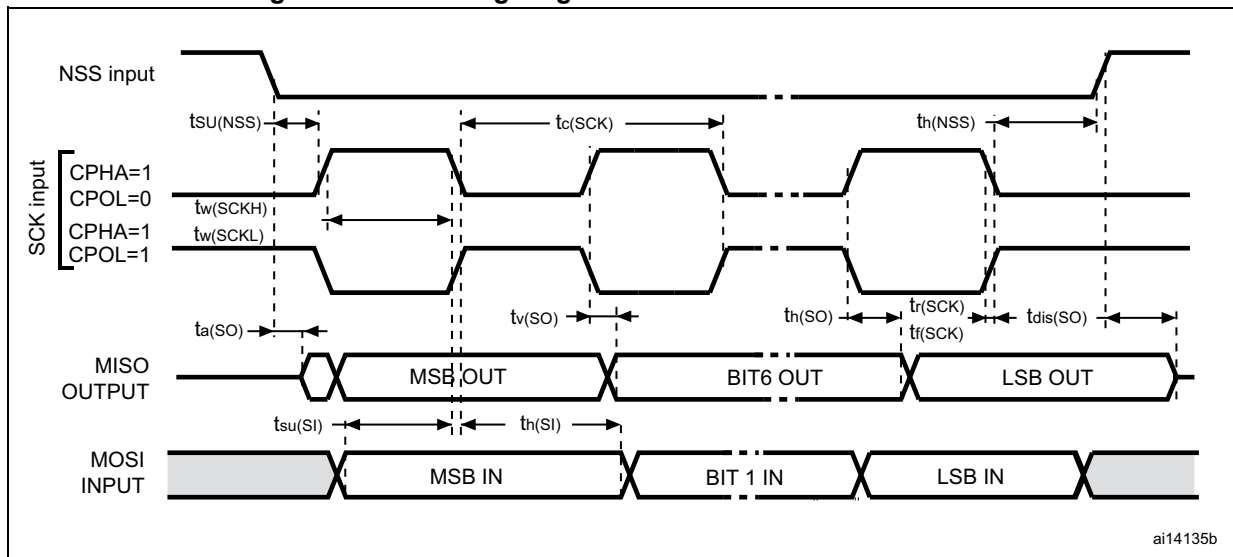
1. Guaranteed by characterization results.

Figure 26. SPI timing diagram - slave mode and CPHA = 0



ai14134c

Figure 27. SPI timing diagram - slave mode and CPHA = 1<sup>(1)</sup>

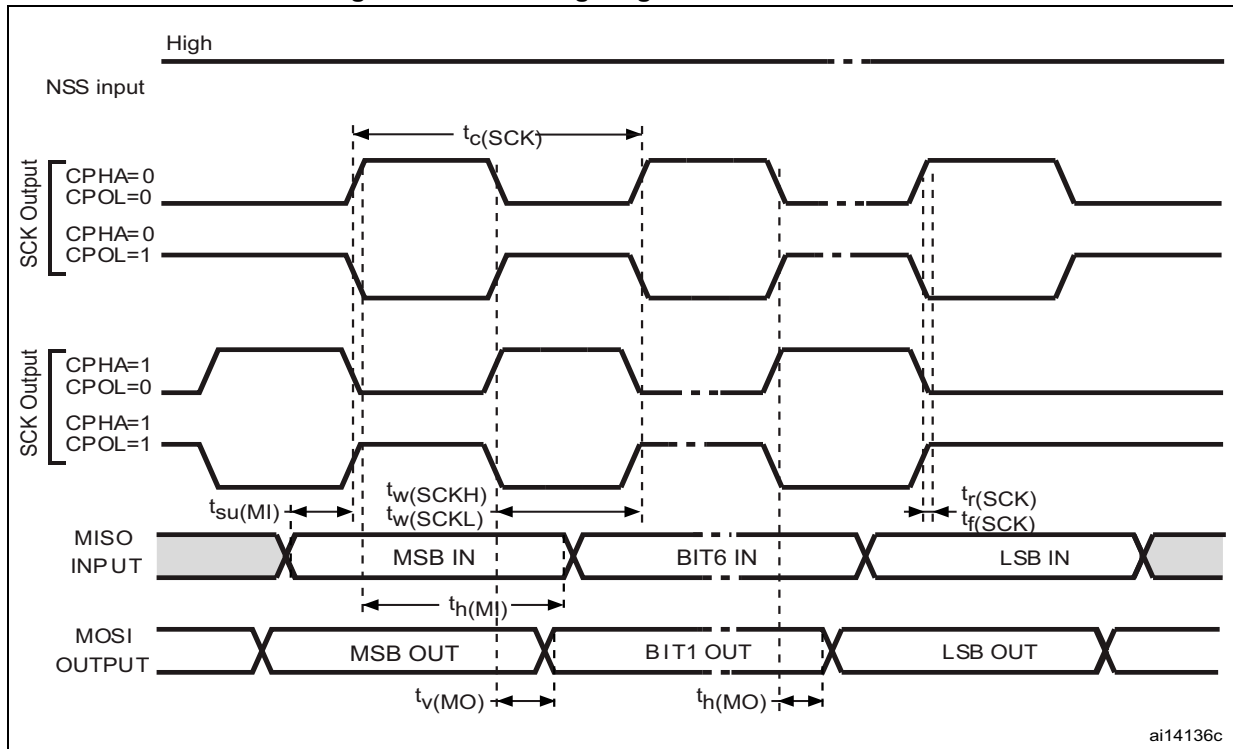


ai14135b

1. Measurement points are done at 0.5V<sub>DD</sub> and with external C<sub>L</sub> = 30 pF.



Figure 28. SPI timing diagram - master mode<sup>(1)</sup>



1. Measurement points are done at  $0.5V_{DD}$  and with external  $C_L = 30 \text{ pF}$ .

Table 62. I2S characteristics<sup>(1)</sup>

| Symbol    | Parameter                      | Conditions           | Min      | Max                       | Unit |
|-----------|--------------------------------|----------------------|----------|---------------------------|------|
| $f_{MCK}$ | I2S Main clock output          | -                    | 256 x 8K | 256x $F_s$ <sup>(2)</sup> | MHz  |
| $f_{CK}$  | I2S clock frequency            | Master data: 32 bits | -        | 64x $F_s$                 | MHz  |
|           |                                | Slave data: 32 bits  | -        | 64x $F_s$                 |      |
| $D_{CK}$  | I2S clock frequency duty cycle | Slave receiver       | 30       | 70                        | %    |

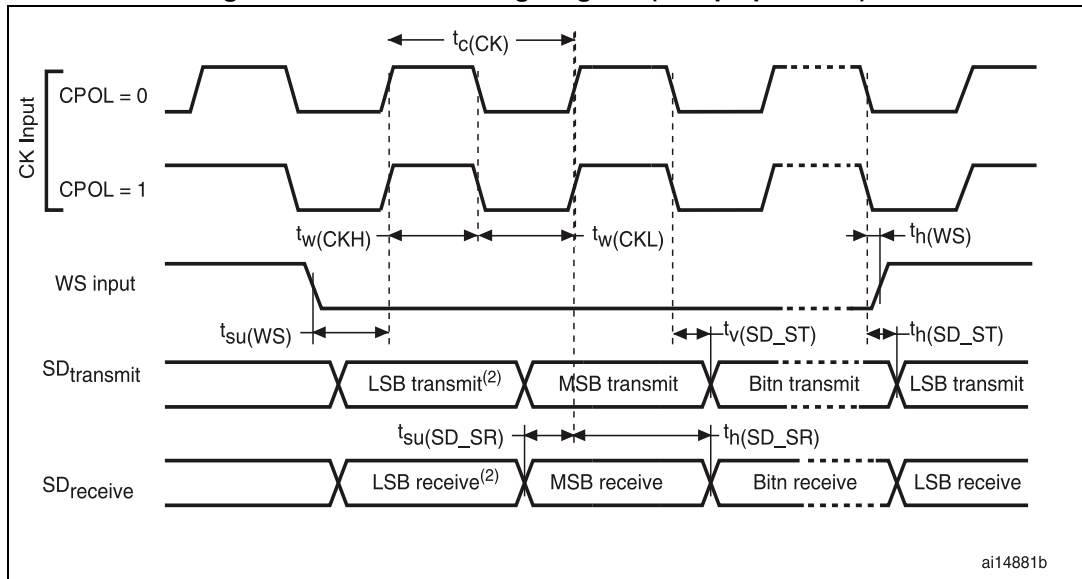
Table 62. I2S characteristics<sup>(1)</sup> (continued)

| Symbol                 | Parameter              | Conditions                             | Min | Max | Unit |
|------------------------|------------------------|--|-----|-----|------|
| t <sub>v(WS)</sub>     | WS valid time          | Master mode                            | -   | 20  | ns   |
| t <sub>h(WS)</sub>     | WS hold time           | Master mode                            | 2   | -   |      |
| t <sub>su(WS)</sub>    | WS setup time          | Slave mode                             | 0   | -   |      |
| t <sub>h(WS)</sub>     | WS hold time           | Slave mode                             | 4   | -   |      |
| t <sub>su(SD_MR)</sub> | Data input setup time  | Master receiver                        | 1   | -   |      |
| t <sub>su(SD_SR)</sub> |                        | Slave receiver                         | 1   | -   |      |
| t <sub>h(SD_MR)</sub>  | Data input hold time   | Master receiver                        | 8   | -   |      |
| t <sub>h(SD_SR)</sub>  |                        | Slave receiver                         | 2.5 | -   |      |
| t <sub>v(SD_ST)</sub>  | Data output valid time | Slave transmitter (after enable edge)  | -   | 50  |      |
| t <sub>v(SD_MT)</sub>  |                        | Master transmitter (after enable edge) | -   | 22  |      |
| t <sub>h(SD_ST)</sub>  | Data output hold time  | Slave transmitter (after enable edge)  | 8   | -   |      |
| t <sub>h(SD_MT)</sub>  |                        | Master transmitter (after enable edge) | 1   | -   |      |

1. Guaranteed by characterization results.
2. 256x Fs maximum is 36 MHz (APB1 Maximum frequency)

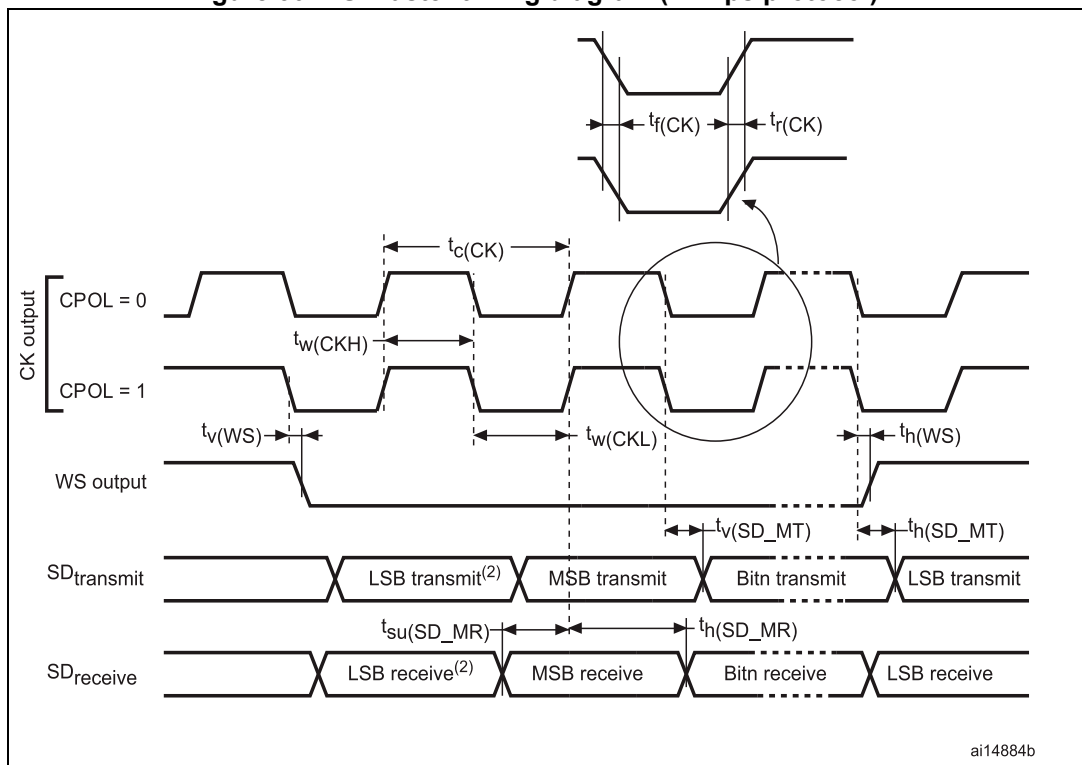
**Note:** Refer to RM0366 Reference Manual I2S Section for more details about the sampling frequency (Fs), fMCK, fCK, DCK values reflect only the digital peripheral behavior, source clock precision might slightly change the values DCK depends mainly on ODD bit value. Digital contribution leads to a min of  $(I2SDIV/(2*I2SDIV+ODD))$  and a max  $(I2SDIV+ODD)/(2*I2SDIV+ODD)$  and Fs max supported for each mode/condition.

Figure 29. I<sup>2</sup>S slave timing diagram (Philips protocol)<sup>(1)</sup>



1. Measurement points are done at 0.5V<sub>DD</sub> and with external C<sub>L</sub>=30 pF.
2. LSB transmit/receive of the previously transmitted byte. No LSB transmit/receive is sent before the first byte.

Figure 30. I<sup>2</sup>S master timing diagram (Philips protocol)<sup>(1)</sup>



1. Measurement points are done at 0.5V<sub>DD</sub> and with external C<sub>L</sub>=30 pF.
2. LSB transmit/receive of the previously transmitted byte. No LSB transmit/receive is sent before the first byte.



### 6.3.18 ADC characteristics

Unless otherwise specified, the parameters given in [Table 63](#) to [Table 65](#) are guaranteed by design, with conditions summarized in [Table 23](#).

**Table 63. ADC characteristics**

| Symbol           | Parameter  | Conditions                                 | Min    | Typ    | Max       | Unit          |
|------------------|--|--|--------|--------|-----------|---------------|
| $V_{DDA}$        | Analog supply voltage for ADC                            | -  | 2      | -      | 3.6       | V             |
| $I_{DDA}$        | ADC current consumption (see <a href="#">Figure 31</a> ) | Single-ended mode, 5 MSPS                  | -      | 1011.3 | 1172.0    | $\mu\text{A}$ |
|                  |  | Single-ended mode, 1 MSPS                  | -      | 214.7  | 322.3     |               |
|                  |  | Single-ended mode, 200 KSPS                | -      | 54.7   | 81.1      |               |
|                  |  | Differential mode, 5 MSPS                  | -      | 1061.5 | 1243.6    |               |
|                  |  | Differential mode, 1 MSPS                  | -      | 246.6  | 337.6     |               |
|                  |  | Differential mode, 200 KSPS                | -      | 56.4   | 83.0      |               |
| $f_{ADC}$        | ADC clock frequency                                      | -  | 0.14   | -      | 72        | MHz           |
| $f_S^{(1)}$      | Sampling rate  | Resolution = 12 bits, Fast Channel         | 0.01   | -      | 5.14      | MSPS          |
|                  |  | Resolution = 10 bits, Fast Channel         | 0.012  | -      | 6         |               |
|                  |  | Resolution = 8 bits, Fast Channel          | 0.014  | -      | 7.2       |               |
|                  |  | Resolution = 6 bits, Fast Channel          | 0.0175 | -      | 9         |               |
| $f_{TRIG}^{(1)}$ | External trigger frequency                               | $f_{ADC} = 72$ MHz<br>Resolution = 12 bits | -      | -      | 5.14      | MHz           |
|                  |  | Resolution = 12 bits                       | -      | -      | 14        | $1/f_{ADC}$   |
| $V_{AIN}$        | Conversion voltage range                                 | -  | 0      | -      | $V_{DDA}$ | V             |
| $R_{AIN}^{(1)}$  | External input impedance                                 | -  | -      | -      | 100       | k $\Omega$    |

**Table 63. ADC characteristics (continued)**

| Symbol                 | Parameter  | Conditions                                 | Min  | Typ                      | Max                                | Unit                |
|------------------------|--|--|--|--------------------------|------------------------------------|---------------------|
| $C_{ADC}^{(1)}$        | Internal sample and hold capacitor   | -  | -  | 5                        | -                                  | pF                  |
| $t_{CAL}^{(1)}$        | Calibration time   | $f_{ADC} = 72$ MHz                         | 1.56   |                          |                                    | $\mu$ s             |
|                        |  | -  | 112  |                          |                                    | $1/f_{ADC}$         |
| $t_{latr}^{(1)}$       | Trigger conversion latency<br>Regular and injected<br>channels without conversion<br>abort | CKMODE = 00                                | 1.5  | 2                        | 2.5                                | $1/f_{ADC}$         |
|                        |  | CKMODE = 01                                | -  | -                        | 2                                  | $1/f_{ADC}$         |
|                        |  | CKMODE = 10                                | -  | -                        | 2.25                               | $1/f_{ADC}$         |
|                        |  | CKMODE = 11                                | -  | -                        | 2.125                              | $1/f_{ADC}$         |
| $t_{latrinj}^{(1)}$    | Trigger conversion latency<br>Injected channels aborting a<br>regular conversion           | CKMODE = 00                                | 2.5  | 3                        | 3.5                                | $1/f_{ADC}$         |
|                        |  | CKMODE = 01                                | -  | -                        | 3                                  | $1/f_{ADC}$         |
|                        |  | CKMODE = 10                                | -  | -                        | 3.25                               | $1/f_{ADC}$         |
|                        |  | CKMODE = 11                                | -  | -                        | 3.125                              | $1/f_{ADC}$         |
| $t_S^{(1)}$            | Sampling time  | $f_{ADC} = 72$ MHz                         | 0.021  | -                        | 8.35                               | $\mu$ s             |
|                        |  | -  | 1.5  | -                        | 601.5                              | $1/f_{ADC}$         |
| $TADCVREG\_STUP^{(1)}$ | ADC Voltage Regulator<br>Start-up time   | -  | -  | -                        | 10                                 | $\mu$ s             |
| $t_{STAB}^{(1)}$       | Power-up time  | -  | 1  |                          |                                    | conversion<br>cycle |
| $t_{CONV}^{(1)}$       | Total conversion time<br>(including sampling time)   | $f_{ADC} = 72$ MHz<br>Resolution = 12 bits | 0.19   | -                        | 8.52                               | $\mu$ s             |
|                        |  | Resolution = 12 bits                       | 14 to 614 ( $t_S$ for sampling + 12.5 for<br>successive approximation) |                          |                                    | $1/f_{ADC}$         |
| $CMIR^{(1)}$           | Common mode input signal   | ADC differential mode                      | $(V_{SSA} + V_{REF+})/2$<br>- 0.18                                     | $(V_{SSA} + V_{REF+})/2$ | $(V_{SSA} + V_{REF+})/2$<br>+ 0.18 | V                   |

1. Data guaranteed by design.

Figure 31 illustrates the ADC current consumption as per the clock frequency in single-ended and differential modes.

Figure 31. ADC typical current consumption in single-ended and differential modes

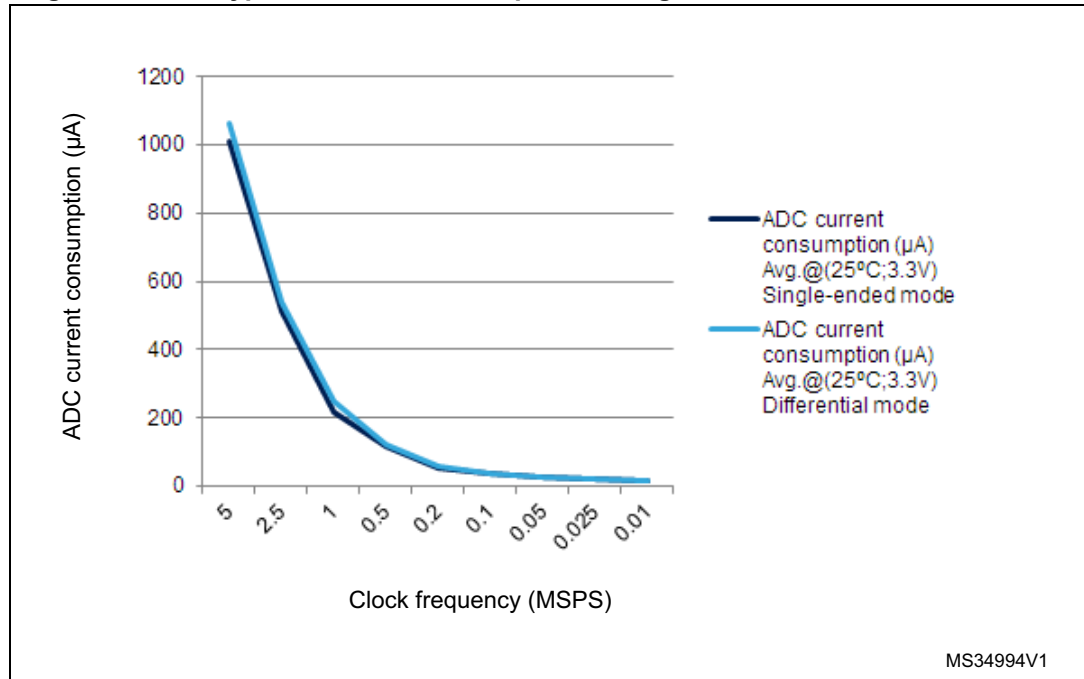


Table 64. Maximum ADC R<sub>AIN</sub> <sup>(1)</sup>

| Resolution | Sampling cycle @ 72 MHz | Sampling time [ns] @ 72 MHz | R <sub>AIN</sub> max (kΩ)    |               |                               |
|------------|-------------------------|-----------------------------|------------------------------|---------------|-------------------------------|
|            |                         |                             | Fast channels <sup>(2)</sup> | Slow channels | Other channels <sup>(3)</sup> |
| 12 bits    | 1.5                     | 20.83                       | 0.018                        | NA            | NA                            |
|            | 2.5                     | 34.72                       | 0.150                        | NA            | 0.022                         |
|            | 4.5                     | 62.50                       | 0.470                        | 0.220         | 0.180                         |
|            | 7.5                     | 104.17                      | 0.820                        | 0.560         | 0.470                         |
|            | 19.5                    | 270.83                      | 2.70                         | 1.80          | 1.50                          |
|            | 61.5                    | 854.17                      | 8.20                         | 6.80          | 4.70                          |
|            | 181.5                   | 2520.83                     | 22.0                         | 18.0          | 15.0                          |
|            | 601.5                   | 8354.17                     | 82.0                         | 68.0          | 47.0                          |

Table 64. Maximum ADC  $R_{AIN}^{(1)}$  (continued)

| Resolution | Sampling cycle @ 72 MHz | Sampling time [ns] @ 72 MHz | $R_{AIN} \text{ max (k}\Omega\text{)}$ |               |                               |
|------------|-------------------------|-----------------------------|--|---------------|-------------------------------|
|            |                         |                             | Fast channels <sup>(2)</sup>           | Slow channels | Other channels <sup>(3)</sup> |
| 10 bits    | 1.5                     | 20.83                       | 0.082                                  | NA            | NA                            |
|            | 2.5                     | 34.72                       | 0.270                                  | 0.082         | 0.100                         |
|            | 4.5                     | 62.50                       | 0.560                                  | 0.390         | 0.330                         |
|            | 7.5                     | 104.17                      | 1.20                                   | 0.82          | 0.68                          |
|            | 19.5                    | 270.83                      | 3.30                                   | 2.70          | 2.20                          |
|            | 61.5                    | 854.17                      | 10.0                                   | 8.2           | 6.8                           |
|            | 181.5                   | 2520.83                     | 33.0                                   | 27.0          | 22.0                          |
|            | 601.5                   | 8354.17                     | 100.0                                  | 82.0          | 68.0                          |
| 8 bits     | 1.5                     | 20.83                       | 0.150                                  | NA            | 0.039                         |
|            | 2.5                     | 34.72                       | 0.390                                  | 0.180         | 0.180                         |
|            | 4.5                     | 62.50                       | 0.820                                  | 0.560         | 0.470                         |
|            | 7.5                     | 104.17                      | 1.50                                   | 1.20          | 1.00                          |
|            | 19.5                    | 270.83                      | 3.90                                   | 3.30          | 2.70                          |
|            | 61.5                    | 854.17                      | 12.00                                  | 12.00         | 8.20                          |
|            | 181.5                   | 2520.83                     | 39.00                                  | 33.00         | 27.00                         |
|            | 601.5                   | 8354.17                     | 100.00                                 | 100.00        | 82.00                         |
| 6 bits     | 1.5                     | 20.83                       | 0.270                                  | 0.100         | 0.150                         |
|            | 2.5                     | 34.72                       | 0.560                                  | 0.390         | 0.330                         |
|            | 4.5                     | 62.50                       | 1.200                                  | 0.820         | 0.820                         |
|            | 7.5                     | 104.17                      | 2.20                                   | 1.80          | 1.50                          |
|            | 19.5                    | 270.83                      | 5.60                                   | 4.70          | 3.90                          |
|            | 61.5                    | 854.17                      | 18.0                                   | 15.0          | 12.0                          |
|            | 181.5                   | 2520.83                     | 56.0                                   | 47.0          | 39.0                          |
|            | 601.5                   | 8354.17                     | 100.00                                 | 100.0         | 100.0                         |

1. Guaranteed by characterization results.
2. All fast channels, expect channel on PA6.
3. Channel available on PA6.

Table 65. ADC accuracy - limited test conditions<sup>(1)(2)</sup>

| Symbol               | Parameter                            | Conditions  |              | Min<br>(3)          | Typ  | Max<br>(3) | Unit |     |
|----------------------|--------------------------------------|---|--------------|---------------------|------|------------|------|-----|
| ET                   | Total unadjusted error               | ADC clock freq. ≤ 72 MHz<br>Sampling freq. ≤ 5 Msps<br>V <sub>DDA</sub> = 3.3 V<br>25°C | Single ended | Fast channel 5.1 Ms | -    | ±4         | ±4.5 | LSB |
|                      |                                      |   |              | Slow channel 4.8 Ms | -    | ±5.5       | ±6   |     |
|                      |                                      |   | Differential | Fast channel 5.1 Ms | -    | ±3.5       | ±4   |     |
|                      |                                      |   |              | Slow channel 4.8 Ms | -    | ±3.5       | ±4   |     |
| EO                   | Offset error                         | ADC clock freq. ≤ 72 MHz<br>Sampling freq. ≤ 5 Msps<br>V <sub>DDA</sub> = 3.3 V<br>25°C | Single ended | Fast channel 5.1 Ms | -    | ±2         | ±2   |     |
|                      |                                      |   |              | Slow channel 4.8 Ms | -    | ±1.5       | ±2   |     |
|                      |                                      |   | Differential | Fast channel 5.1 Ms | -    | ±1.5       | ±2   |     |
|                      |                                      |   |              | Slow channel 4.8 Ms | -    | ±1.5       | ±2   |     |
| EG                   | Gain error                           | ADC clock freq. ≤ 72 MHz<br>Sampling freq. ≤ 5 Msps<br>V <sub>DDA</sub> = 3.3 V<br>25°C | Single ended | Fast channel 5.1 Ms | -    | ±3         | ±4   |     |
|                      |                                      |   |              | Slow channel 4.8 Ms | -    | ±5         | ±5.5 |     |
|                      |                                      |   | Differential | Fast channel 5.1 Ms | -    | ±3         | ±3   |     |
|                      |                                      |   |              | Slow channel 4.8 Ms | -    | ±3         | ±3.5 |     |
| ED                   | Differential linearity error         | ADC clock freq. ≤ 72 MHz<br>Sampling freq. ≤ 5 Msps<br>V <sub>DDA</sub> = 3.3 V<br>25°C | Single ended | Fast channel 5.1 Ms | -    | ±1         | ±1   |     |
|                      |                                      |   |              | Slow channel 4.8 Ms | -    | ±1         | ±1   |     |
|                      |                                      |   | Differential | Fast channel 5.1 Ms | -    | ±1         | ±1   |     |
|                      |                                      |   |              | Slow channel 4.8 Ms | -    | ±1         | ±1   |     |
| EL                   | Integral linearity error             | ADC clock freq. ≤ 72 MHz<br>Sampling freq. ≤ 5 Msps<br>V <sub>DDA</sub> = 3.3 V<br>25°C | Single ended | Fast channel 5.1 Ms | -    | ±1.5       | ±2   |     |
|                      |                                      |   |              | Slow channel 4.8 Ms | -    | ±2         | ±3   |     |
|                      |                                      |   | Differential | Fast channel 5.1 Ms | -    | ±1.5       | ±1.5 |     |
|                      |                                      |   |              | Slow channel 4.8 Ms | -    | ±1.5       | ±2   |     |
| ENOB <sup>(4)</sup>  | Effective number of bits             | ADC clock freq. ≤ 72 MHz<br>Sampling freq. ≤ 5 Msps<br>V <sub>DDA</sub> = 3.3 V<br>25°C | Single ended | Fast channel 5.1 Ms | 10.8 | 10.8       | -    | bit |
|                      |                                      |   |              | Slow channel 4.8 Ms | 10.8 | 10.8       | -    |     |
|                      |                                      |   | Differential | Fast channel 5.1 Ms | 11.2 | 11.3       | -    |     |
|                      |                                      |   |              | Slow channel 4.8 Ms | 11.2 | 11.3       | -    |     |
| SINAD <sup>(4)</sup> | Signal-to-noise and distortion ratio | ADC clock freq. ≤ 72 MHz<br>Sampling freq. ≤ 5 Msps<br>V <sub>DDA</sub> = 3.3 V<br>25°C | Single ended | Fast channel 5.1 Ms | 66   | 67         | -    | dB  |
|                      |                                      |   |              | Slow channel 4.8 Ms | 66   | 67         | -    |     |
|                      |                                      |   | Differential | Fast channel 5.1 Ms | 69   | 70         | -    |     |
|                      |                                      |   |              | Slow channel 4.8 Ms | 69   | 70         | -    |     |



Table 65. ADC accuracy - limited test conditions<sup>(1)(2)</sup> (continued)

| Symbol             | Parameter                 | Conditions   |  |                     | Min<br>(3)          | Typ | Max<br>(3) | Unit |     |    |
|--------------------|---------------------------|--|--|---------------------|---------------------|-----|------------|------|-----|----|
| SNR <sup>(4)</sup> | Signal-to-noise ratio     | ADC clock freq. ≤ 72 MHz<br>Sampling freq ≤ 5 Msps<br>V <sub>DDA</sub> = 3.3 V<br>25°C | Single ended   | Fast channel 5.1 Ms | 66                  | 67  | -          | dB   |     |    |
|                    |                           |  |  | Slow channel 4.8 Ms | 66                  | 67  | -          |      |     |    |
|                    |                           |  | Differential   | Fast channel 5.1 Ms | 69                  | 70  | -          |      |     |    |
|                    |                           |  |  | Slow channel 4.8 Ms | 69                  | 70  | -          |      |     |    |
| THD <sup>(4)</sup> | Total harmonic distortion |  | ADC clock freq. ≤ 72 MHz<br>Sampling freq ≤ 5 Msps<br>V <sub>DDA</sub> = 3.3 V<br>25°C | Single ended        | Fast channel 5.1 Ms | -   | -80        |      | -80 | dB |
|                    |                           |  |  |                     | Slow channel 4.8 Ms | -   | -78        |      | -77 |    |
|                    |                           |  |  | Differential        | Fast channel 5.1 Ms | -   | -83        |      | -82 |    |
|                    |                           |  |  |                     | Slow channel 4.8 Ms | -   | -81        |      | -80 |    |

1. ADC DC accuracy values are measured after internal calibration.
2. ADC accuracy vs. negative Injection Current: Injecting negative current on any analog input pins should be avoided as this significantly reduces the accuracy of the conversion being performed on another analog input. It is recommended to add a Schottky diode (pin to ground) to analog pins which may potentially inject negative current. Any positive injection current within the limits specified for I<sub>INJ(PIN)</sub> and ΣI<sub>INJ(PIN)</sub> in [Section 6.3.14](#) does not affect the ADC accuracy.
3. Guaranteed by characterization results.
4. Value measured with a -0.5dB Full Scale 50kHz sine wave input signal.

Table 66. ADC accuracy <sup>(1)(2)(3)</sup>

| Symbol               | Parameter                            | Conditions   |              | Min <sup>(4)</sup>  | Max <sup>(4)</sup> | Unit |      |
|----------------------|--------------------------------------|--|--------------|---------------------|--------------------|------|------|
| ET                   | Total unadjusted error               | ADC clock freq. ≤ 72 MHz,<br>Sampling freq. ≤ 5 Msps<br>2.0 V ≤ V <sub>DDA</sub> ≤ 3.6 V | Single ended | Fast channel 5.1 Ms | -                  | ±6.5 | LSB  |
|                      |                                      |  |              | Slow channel 4.8 Ms | -                  | ±6.5 |      |
|                      |                                      |  | Differential | Fast channel 5.1 Ms | -                  | ±4   |      |
|                      |                                      |  |              | Slow channel 4.8 Ms | -                  | ±4.5 |      |
| EO                   | Offset error                         | ADC clock freq. ≤ 72 MHz,<br>Sampling freq. ≤ 5 Msps<br>2.0 V ≤ V <sub>DDA</sub> ≤ 3.6 V | Single ended | Fast channel 5.1 Ms | -                  | ±3   |      |
|                      |                                      |  |              | Slow channel 4.8 Ms | -                  | ±3   |      |
|                      |                                      |  | Differential | Fast channel 5.1 Ms | -                  | ±2.5 |      |
|                      |                                      |  |              | Slow channel 4.8 Ms | -                  | ±2.5 |      |
| EG                   | Gain error                           | ADC clock freq. ≤ 72 MHz,<br>Sampling freq. ≤ 5 Msps<br>2.0 V ≤ V <sub>DDA</sub> ≤ 3.6 V | Single ended | Fast channel 5.1 Ms | -                  | ±6   |      |
|                      |                                      |  |              | Slow channel 4.8 Ms | -                  | ±6   |      |
|                      |                                      |  | Differential | Fast channel 5.1 Ms | -                  | ±3.5 |      |
|                      |                                      |  |              | Slow channel 4.8 Ms | -                  | ±4   |      |
| ED                   | Differential linearity error         | ADC clock freq. ≤ 72 MHz,<br>Sampling freq. ≤ 5 Msps<br>2.0 V ≤ V <sub>DDA</sub> ≤ 3.6 V | Single ended | Fast channel 5.1 Ms | -                  | ±1.5 |      |
|                      |                                      |  |              | Slow channel 4.8 Ms | -                  | ±1.5 |      |
|                      |                                      |  | Differential | Fast channel 5.1 Ms | -                  | ±1.5 |      |
|                      |                                      |  |              | Slow channel 4.8 Ms | -                  | ±1.5 |      |
| EL                   | Integral linearity error             | ADC clock freq. ≤ 72 MHz,<br>Sampling freq. ≤ 5 Msps<br>2.0 V ≤ V <sub>DDA</sub> ≤ 3.6 V | Single ended | Fast channel 5.1 Ms | -                  | ±3   |      |
|                      |                                      |  |              | Slow channel 4.8 Ms | -                  | ±3.5 |      |
|                      |                                      |  | Differential | Fast channel 5.1 Ms | -                  | ±2   |      |
|                      |                                      |  |              | Slow channel 4.8 Ms | -                  | ±2.5 |      |
| ENOB <sup>(5)</sup>  | Effective number of bits             | ADC clock freq. ≤ 72 MHz,<br>Sampling freq. ≤ 5 Msps<br>2.0 V ≤ V <sub>DDA</sub> ≤ 3.6 V | Single ended | Fast channel 5.1 Ms | 10.4               | -    | bits |
|                      |                                      |  |              | Slow channel 4.8 Ms | 10.4               | -    |      |
|                      |                                      |  | Differential | Fast channel 5.1 Ms | 10.8               | -    |      |
|                      |                                      |  |              | Slow channel 4.8 Ms | 10.8               | -    |      |
| SINAD <sup>(5)</sup> | Signal-to-noise and distortion ratio | ADC clock freq. ≤ 72 MHz,<br>Sampling freq. ≤ 5 Msps<br>2.0 V ≤ V <sub>DDA</sub> ≤ 3.6 V | Single ended | Fast channel 5.1 Ms | 64                 | -    | dB   |
|                      |                                      |  |              | Slow channel 4.8 Ms | 63                 | -    |      |
|                      |                                      |  | Differential | Fast channel 5.1 Ms | 67                 | -    |      |
|                      |                                      |  |              | Slow channel 4.8 Ms | 67                 | -    |      |

**Table 66. ADC accuracy <sup>(1)(2)(3)</sup> (continued)**

| Symbol             | Parameter                 | Conditions   |  | Min <sup>(4)</sup>  | Max <sup>(4)</sup>  | Unit |    |     |
|--------------------|---------------------------|--|--|---------------------|---------------------|------|----|-----|
| SNR <sup>(5)</sup> | Signal-to-noise ratio     | ADC clock freq. ≤ 72 MHz,<br>Sampling freq ≤ 5 Msps,<br>2 V ≤ V <sub>DDA</sub> ≤ 3.6 V | Single ended   | Fast channel 5.1 Ms | 64                  | -    | dB |     |
|                    |                           |  |  | Slow channel 4.8 Ms | 64                  | -    |    |     |
|                    |                           |  | Differential   | Fast channel 5.1 Ms | 67                  | -    |    |     |
|                    |                           |  |  | Slow channel 4.8 Ms | 67                  | -    |    |     |
| THD <sup>(5)</sup> | Total harmonic distortion |  | ADC clock freq. ≤ 72 MHz,<br>Sampling freq ≤ 5 Msps,<br>2 V ≤ V <sub>DDA</sub> ≤ 3.6 V | Single ended        | Fast channel 5.1 Ms | -    |    | -75 |
|                    |                           |  |  |                     | Slow channel 4.8 Ms | -    |    | -75 |
|                    |                           |  |  | Differential        | Fast channel 5.1 Ms | -    |    | -79 |
|                    |                           |  |  |                     | Slow channel 4.8 Ms | -    |    | -78 |

1. ADC DC accuracy values are measured after internal calibration.
2. ADC accuracy vs. negative Injection Current: Injecting negative current on any analog input pins should be avoided as this significantly reduces the accuracy of the conversion being performed on another analog input. It is recommended to add a Schottky diode (pin to ground) to analog pins which may potentially inject negative current. Any positive injection current within the limits specified for I<sub>INJ(PIN)</sub> and ΣI<sub>INJ(PIN)</sub> in [Section 6.3.14](#) does not affect the ADC accuracy.
3. Better performance may be achieved in restricted V<sub>DDA</sub>, frequency and temperature ranges.
4. Guaranteed by characterization results.
5. Value measured with a -0.5dB Full Scale 50kHz sine wave input signal.

**Table 67. ADC accuracy<sup>(1)(2)</sup>**

| Symbol | Parameter                    | Test conditions   | Typ          | Max <sup>(3)</sup> | Unit |     |
|--------|------------------------------|---|--------------|--------------------|------|-----|
| ET     | Total unadjusted error       | ADC Freq ≤ 72 MHz<br>Sampling Freq ≤ 1MSPS<br>2.4 V ≤ V <sub>DDA</sub> = V <sub>REF+</sub> ≤ 3.6 V<br>Single-ended mode | Fast channel | ±2.5               | ±5   | LSB |
|        |                              |   | Slow channel | ±3.5               | ±5   |     |
| EO     | Offset error                 |   | Fast channel | ±1                 | ±2.5 |     |
|        |                              |   | Slow channel | ±1.5               | ±2.5 |     |
| EG     | Gain error                   |   | Fast channel | ±2                 | ±3   |     |
|        |                              |   | Slow channel | ±3                 | ±4   |     |
| ED     | Differential linearity error |   | Fast channel | ±0.7               | ±2   |     |
|        |                              |   | Slow channel | ±0.7               | ±2   |     |
| EL     | Integral linearity error     |   | Fast channel | ±1                 | ±3   |     |
|        |                              |   | Slow channel | ±1.2               | ±3   |     |

1. ADC DC accuracy values are measured after internal calibration.
2. ADC accuracy vs. negative Injection Current: Injecting negative current on any analog input pins should be avoided as this significantly reduces the accuracy of the conversion being performed on another analog input. It is recommended to add a Schottky diode (pin to ground) to analog pins which may potentially inject negative current. Any positive injection current within the limits specified for I<sub>INJ(PIN)</sub> and ΣI<sub>INJ(PIN)</sub> in [Section 6.3.14: I/O port characteristics](#) does not affect the ADC accuracy.
3. Guaranteed by characterization results.

Figure 32. ADC accuracy characteristics

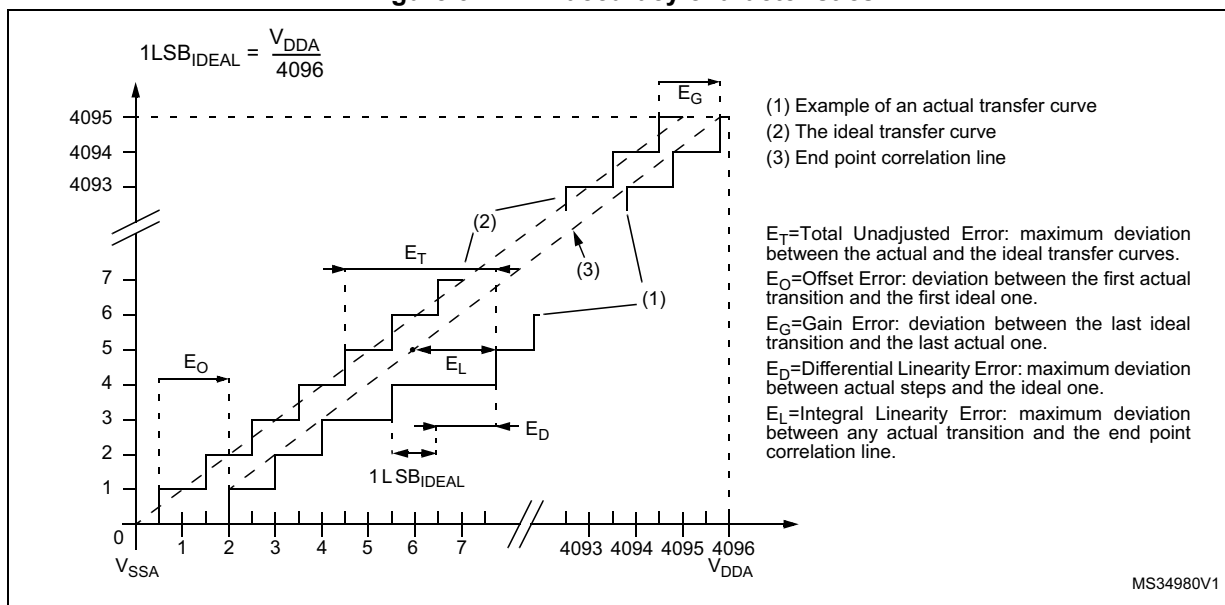
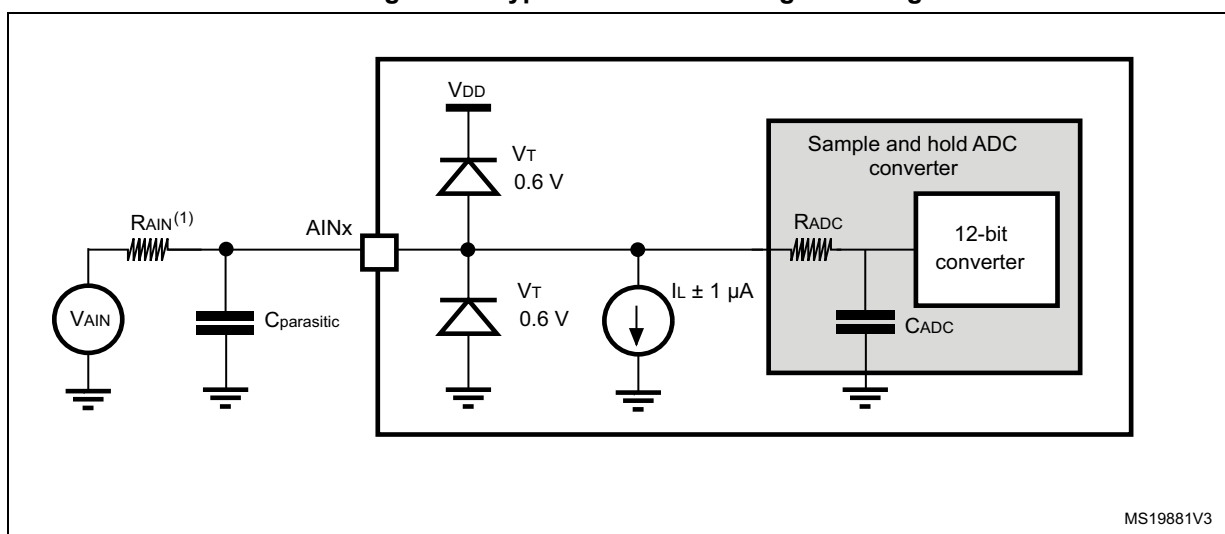


Figure 33. Typical connection diagram using the ADC



1. Refer to [Table 63](#) for the values of  $R_{AIN}$ .
2.  $C_{parasitic}$  represents the capacitance of the PCB (dependent on soldering and PCB layout quality) plus the pad capacitance (roughly 7 pF). A high  $C_{parasitic}$  value will downgrade conversion accuracy. To remedy this,  $f_{ADC}$  should be reduced.

**General PCB design guidelines**

Power supply decoupling should be performed as shown in [Figure 12](#). The 10 nF capacitor should be ceramic (good quality) and it should be placed as close as possible to the chip.

## 6.3.19 DAC electrical specifications

Table 68. DAC characteristics

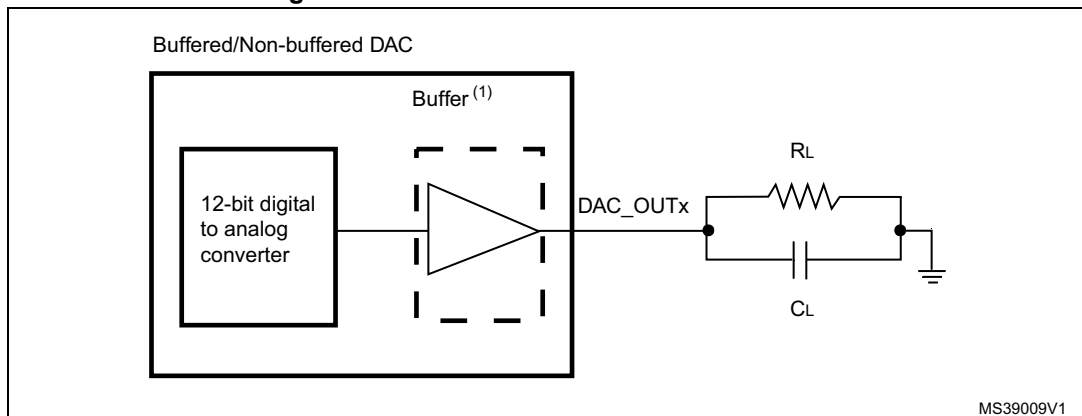
| Symbol                    | Parameter  | Conditions   | Min | Typ | Max              | Unit       |
|---------------------------|--|--|-----|-----|------------------|------------|
| $V_{DDA}$                 | Analog supply voltage  | DAC output buffer ON   | 2.4 | -   | 3.6              | V          |
| $R_{LOAD}^{(1)}$          | Resistive load   | DAC output buffer ON   |     |     |                  |            |
|                           |  | Connected to $V_{SSA}$   | 5   | -   | -                | k $\Omega$ |
|                           |  | Connected to $V_{DDA}$   | 25  | -   | -                | -          |
| $R_O^{(1)}$               | Output impedance   | DAC output buffer ON   | -   | -   | 15               | k $\Omega$ |
| $C_{LOAD}^{(1)}$          | Capacitive load  | DAC output buffer ON   | -   | -   | 50               | pF         |
| $V_{DAC\_OUT}^{(1)}$      | Voltage on DAC_OUT output  | Corresponds to 12-bit input code (0x0E0) to (0xF1C) at $V_{DDA} = 3.6$ V and (0x155) and (0xEAB) at $V_{DDA} = 2.4$ V<br>DAC output buffer ON. | 0.2 | -   | $V_{DDA} - 0.2$  | V          |
|                           |  | DAC output buffer OFF  | -   | 0.5 | $V_{DDA} - 1LSB$ | mV         |
| $I_{DDA}^{(3)}$           | DAC DC current consumption in quiescent mode (Standby mode) <sup>(2)</sup>   | With no load, middle code (0x800) on the input.  | -   | -   | 380              | $\mu$ A    |
|                           |  | With no load, worst code (0xF1C) on the input.   | -   | -   | 480              | $\mu$ A    |
| $DNL^{(3)}$               | Differential non linearity Difference between two consecutive code-1LSB)   | Given for a 10-bit input code  | -   | -   | $\pm 0.5$        | LSB        |
|                           |  | Given for a 12-bit input code  | -   | -   | $\pm 2$          | LSB        |
| $INL^{(3)}$               | Integral non linearity (difference between measured value at Code i and the value at Code i on a line drawn between Code 0 and last Code 4095) | Given for a 10-bit input code  | -   | -   | $\pm 1$          | LSB        |
|                           |  | Given for a 12-bit input code  | -   | -   | $\pm 4$          | LSB        |
| Offset <sup>(3)</sup>     | Offset error (difference between measured value at Code (0x800) and the ideal value = $V_{DDA}/2$ )  | -  | -   | -   | $\pm 10$         | mV         |
|                           |  | Given for a 10-bit input code at $V_{DDA} = 3.6$ V   | -   | -   | $\pm 3$          | LSB        |
|                           |  | Given for a 12-bit input code at $V_{DDA} = 3.6$ V   | -   | -   | $\pm 12$         | LSB        |
| Gain error <sup>(3)</sup> | Gain error   | Given for a 12-bit input code  | -   | -   | $\pm 0.5$        | %          |
| $t_{SETTLING}^{(3)}$      | Settling time (full scale: for a 12-bit input code transition between the lowest and the highest input codes when DAC_OUT reaches              | $C_{LOAD} \leq 50$ pF,<br>$R_{LOAD} \geq 5$ k $\Omega$   | -   | 3   | 4                | $\mu$ s    |

Table 68. DAC characteristics (continued)

| Symbol                     | Parameter   | Conditions   | Min | Typ | Max | Unit    |
|----------------------------|---|--|-----|-----|-----|---------|
| Update rate <sup>(3)</sup> | Max frequency for a correct DAC_OUT change when small variation in the input code (from code i to i+1LSB) | $C_{LOAD} \leq 50$ pF,<br>$R_{LOAD} \geq 5$ k $\Omega$ | -   | -   | 1   | MS/s    |
| $t_{WAKEUP}^{(3)}$         | Wakeup time from off state (Setting the ENx bit in the DAC Control register)                              | $C_{LOAD} \leq 50$ pF,<br>$R_{LOAD} \geq 5$ k $\Omega$ | -   | 6.5 | 10  | $\mu$ s |
| PSRR+ <sup>(1)</sup>       | Power supply rejection ratio (to $V_{DDA}$ ) (static DC measurement)                                      | $C_{LOAD} = 50$ pF,<br>No $R_{LOAD} \geq 5$ k $\Omega$ | -   | -67 | -40 | dB      |

1. Guaranteed by design.
2. Quiescent mode refers to the state of the DAC a keeping steady value on the output, so no dynamic consumption is involved.
3. Guaranteed by characterization results.

Figure 34. 12-bit buffered /non-buffered DAC



1. The DAC integrates an output buffer that can be used to reduce the output impedance and to drive external loads directly without the use of an external operational amplifier. The buffer can be bypassed by configuring the BOFFx bit in the DAC\_CR register.

### 6.3.20 Comparator characteristics

Table 69. Comparator characteristics<sup>(1)(2)</sup>

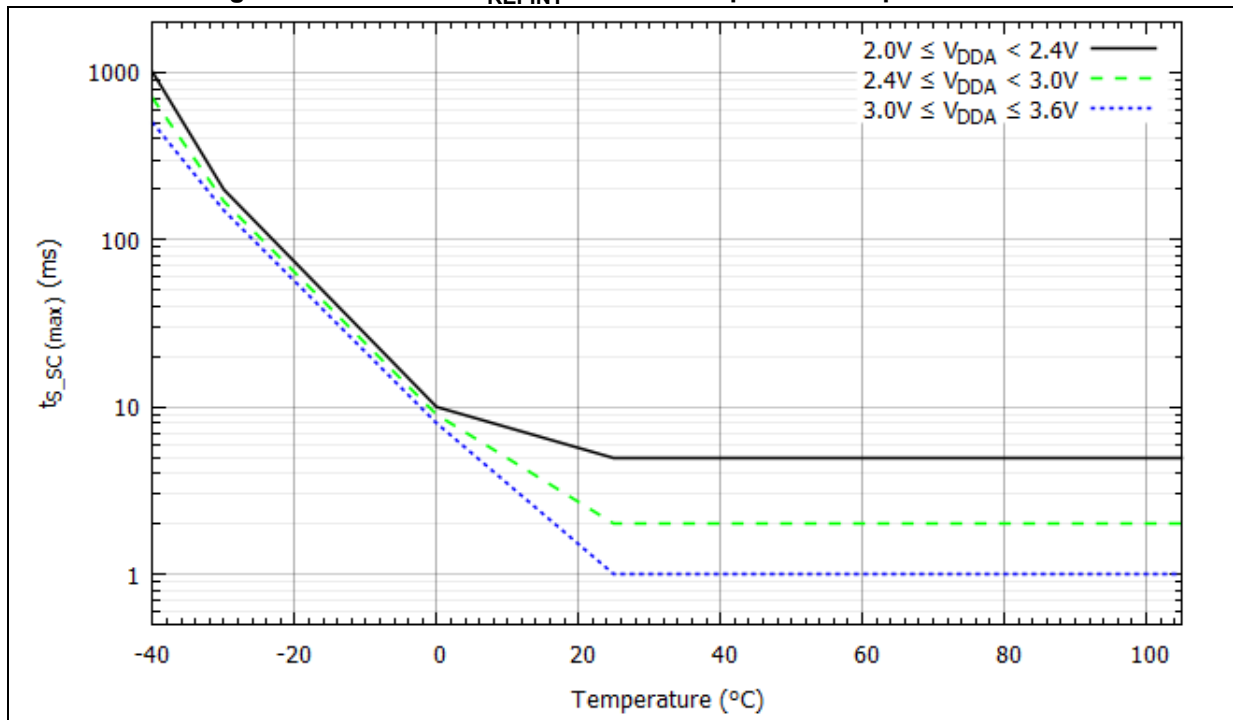
| Symbol    | Parameter                      | Conditions | Min. | Typ.          | Max.      | Unit |
|-----------|--------------------------------|------------|------|---------------|-----------|------|
| $V_{DDA}$ | Analog supply voltage          | -          | 2    | -             | 3.6       | V    |
| $V_{IN}$  | Comparator input voltage range | -          | 0    | -             | $V_{DDA}$ | V    |
| $V_{BG}$  | Scaler input voltage           | -          | -    | $V_{REFINIT}$ | -         |      |
| $V_{SC}$  | Scaler offset voltage          | -          | -    | $\pm 5$       | $\pm 10$  | mV   |

Table 69. Comparator characteristics<sup>(1)(2)</sup> (continued)

| Symbol                | Parameter   | Conditions  | Min. | Typ. | Max.             | Unit |
|-----------------------|---|---|------|------|------------------|------|
| t <sub>S_SC</sub>     | V <sub>REFINT</sub> scaler startup time from power down     | V <sub>REFINT</sub> scaler activation after device power on | -    | -    | 1 <sup>(3)</sup> | s    |
|                       |   | Next activations  | -    | -    | 0.2              | ms   |
| t <sub>START</sub>    | Comparator startup time                                     | V <sub>DDA</sub> ≥ 2.7 V                                    | -    | -    | 4                | μs   |
|                       |   | V <sub>DDA</sub> < 2.7 V                                    | -    | -    | 10               |      |
| t <sub>D</sub>        | Propagation delay for 200 mV step with 100 mV overdrive     | V <sub>DDA</sub> ≥ 2.7 V                                    | -    | 25   | 28               | ns   |
|                       |   | V <sub>DDA</sub> < 2.7 V                                    | -    | 28   | 30               |      |
|                       | Propagation delay for full range step with 100 mV overdrive | V <sub>DDA</sub> ≥ 2.7 V                                    | -    | 32   | 35               |      |
|                       |   | V <sub>DDA</sub> < 2.7 V                                    | -    | 35   | 40               |      |
| V <sub>OFFSET</sub>   | Comparator offset error                                     | V <sub>DDA</sub> ≥ 2.7 V                                    | -    | ±5   | ±10              | mV   |
|                       |   | V <sub>DDA</sub> < 2.7 V                                    | -    | -    | ±25              |      |
| TV <sub>OFFSET</sub>  | Total offset variation                                      | Full temperature range                                      | -    | -    | 3                | mV   |
| I <sub>DD(COMP)</sub> | COMP current consumption                                    | -   | -    | 400  | 600              | μA   |

1. Guaranteed by design.
2. The comparators do not have built-in hysteresis.
3. For more details and conditions, see [Figure 35: Maximum V<sub>REFINT</sub> scaler startup time from power down](#).

Figure 35. Maximum V<sub>REFINT</sub> scaler startup time from power down



## 6.3.21 Operational amplifier characteristics

Table 70. Operational amplifier characteristics<sup>(1)</sup>

| Symbol                      | Parameter   | Condition  | Min                      | Typ | Max       | Unit                         |    |
|-----------------------------|---|--|--------------------------|-----|-----------|------------------------------|----|
| $V_{DDA}$                   | Analog supply voltage   | -  | 2.4                      | -   | 3.6       | V                            |    |
| CMIR                        | Common mode input range   | -  | 0                        | -   | $V_{DDA}$ | V                            |    |
| $V_{I\text{OFFSET}}$        | Input offset voltage  | Maximum calibration range  | 25°C, No Load on output. | -   | -         | 4                            | mV |
|                             |   |  | All voltage/Temp.        | -   | -         | 6                            |    |
|                             |   | After offset calibration   | 25°C, No Load on output. | -   | -         | 1.6                          |    |
|                             |   |  | All voltage/Temp.        | -   | -         | 3                            |    |
| $\Delta V_{I\text{OFFSET}}$ | Input offset voltage drift  | -  | -                        | 5   | -         | $\mu\text{V}/^\circ\text{C}$ |    |
| $I_{\text{LOAD}}$           | Drive current   | -  | -                        | -   | 500       | $\mu\text{A}$                |    |
| IDDOPAMP                    | Consumption   | No load, quiescent mode  | -                        | 690 | 1450      | $\mu\text{A}$                |    |
| CMRR                        | Common mode rejection ratio   | -  | -                        | 90  | -         | dB                           |    |
| PSRR                        | Power supply rejection ratio  | DC   | 73                       | 117 | -         | dB                           |    |
| GBW                         | Bandwidth   | -  | -                        | 8.2 | -         | MHz                          |    |
| SR                          | Slew rate   | -  | -                        | 4.7 | -         | V/ $\mu\text{s}$             |    |
| $R_{\text{LOAD}}$           | Resistive load  | -  | 4                        | -   | -         | k $\Omega$                   |    |
| $C_{\text{LOAD}}$           | Capacitive load   | -  | -                        | -   | 50        | pF                           |    |
| $V_{\text{OH}\text{SAT}}$   | High saturation voltage <sup>(2)</sup>  | $R_{\text{load}} = \text{min, Input at } V_{\text{DDA}}$ .   | $V_{\text{DDA}}-100$     | -   | -         | mV                           |    |
|                             |   | $R_{\text{load}} = 20\text{K, Input at } V_{\text{DDA}}$ .   | $V_{\text{DDA}}-20$      | -   | -         |                              |    |
| $V_{\text{OL}\text{SAT}}$   | Low saturation voltage <sup>(2)</sup>   | $R_{\text{load}} = \text{min, input at } 0\text{V}$  | -                        | -   | 100       | mV                           |    |
|                             |   | $R_{\text{load}} = 20\text{K, input at } 0\text{V}$ .  | -                        | -   | 20        |                              |    |
| $\varphi\text{m}$           | Phase margin  | -  | -                        | 62  | -         | °                            |    |
| $t_{\text{OFFTRIM}}$        | Offset trim time: during calibration, minimum time needed between two steps to have 1 mV accuracy | -  | -                        | -   | 2         | ms                           |    |
| $t_{\text{WAKEUP}}$         | Wake up time from OFF state.  | $C_{\text{LOAD}} \leq 50 \text{ pf, } R_{\text{LOAD}} \geq 4 \text{ k}\Omega$ , Follower configuration | -                        | 2.8 | 5         | $\mu\text{s}$                |    |
| $t_{\text{S\_OPAM\_VOUT}}$  | ADC sampling time when reading the OPAMP output   | -  | 400                      | -   | -         | ns                           |    |

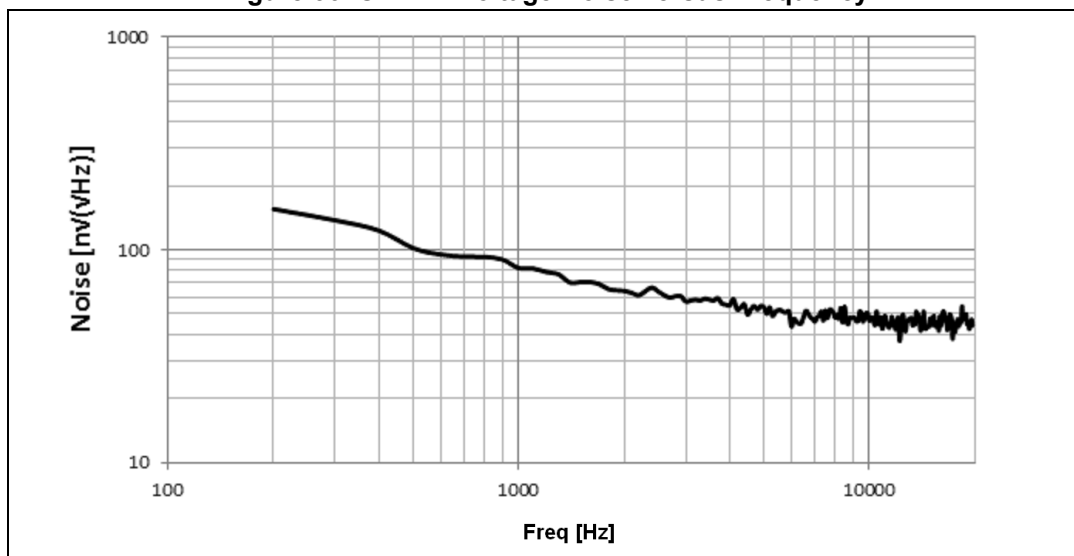


Table 70. Operational amplifier characteristics<sup>(1)</sup> (continued)

| Symbol               | Parameter   | Condition                                 | Min | Typ      | Max                 | Unit                   |
|----------------------|---|---|-----|----------|---------------------|------------------------|
| PGA gain             | Non inverting gain value                                    | -   | -   | 2        | -                   | -                      |
|                      |   |   | -   | 4        | -                   |                        |
|                      |   |   | -   | 8        | -                   |                        |
|                      |   |   | -   | 16       | -                   |                        |
| R <sub>network</sub> | R2/R1 internal resistance values in PGA mode <sup>(3)</sup> | Gain=2                                    | -   | 5.4/5.4  | -                   | kΩ                     |
|                      |   | Gain=4                                    | -   | 16.2/5.4 | -                   |                        |
|                      |   | Gain=8                                    | -   | 37.8/5.4 | -                   |                        |
|                      |   | Gain=16                                   | -   | 40.5/2.7 | -                   |                        |
| PGA gain error       | PGA gain error  | -   | -1% | -        | 1%                  | %                      |
| I <sub>bias</sub>    | OPAMP input bias current                                    | -   | -   | -        | ±0.2 <sup>(4)</sup> | µA                     |
| PGA BW               | PGA bandwidth for different non inverting gain              | PGA Gain = 2, Cload = 50pF, Rload = 4 KΩ  | -   | 4        | -                   | MHz                    |
|                      |   | PGA Gain = 4, Cload = 50pF, Rload = 4 KΩ  | -   | 2        | -                   |                        |
|                      |   | PGA Gain = 8, Cload = 50pF, Rload = 4 KΩ  | -   | 1        | -                   |                        |
|                      |   | PGA Gain = 16, Cload = 50pF, Rload = 4 KΩ | -   | 0.5      | -                   |                        |
| V <sub>n</sub>       | Voltage noise density                                       | @ 1KHz, Output loaded with 4 KΩ           | -   | 109      | -                   | $\frac{nV}{\sqrt{Hz}}$ |
|                      |   | @ 10KHz, Output loaded with 4 KΩ          | -   | 43       | -                   |                        |

1. Guaranteed by design.
2. The saturation voltage can also be limited by the I<sub>LOAD</sub> (drive current).
3. R2 is the internal resistance between OPAMP output and OPAMP inverting input. R1 is the internal resistance between OPAMP inverting input and ground. The PGA gain = 1+R2/R1
4. Mostly TTa I/O leakage, when used in analog mode.

Figure 36. OPAMP Voltage Noise versus Frequency



### 6.3.22 Temperature sensor characteristics

Table 71. TS characteristics

| Symbol                   | Parameter                                      | Min  | Typ     | Max     | Unit                   |
|--------------------------|--|------|---------|---------|------------------------|
| $T_L^{(1)}$              | $V_{SENSE}$ linearity with temperature         | -    | $\pm 1$ | $\pm 2$ | $^{\circ}\text{C}$     |
| Avg_Slope <sup>(1)</sup> | Average slope                                  | 4.0  | 4.3     | 4.6     | mV/ $^{\circ}\text{C}$ |
| $V_{25}$                 | Voltage at 25 $^{\circ}\text{C}$               | 1.34 | 1.43    | 1.52    | V                      |
| $t_{START}^{(1)}$        | Startup time                                   | 4    | -       | 10      | $\mu\text{s}$          |
| $T_{S\_temp}^{(1)(2)}$   | ADC sampling time when reading the temperature | 2.2  | -       | -       | $\mu\text{s}$          |

1. Guaranteed by design.
2. Shortest sampling time can be determined in the application by multiple iterations.

Table 72. Temperature sensor calibration values

| Calibration value name | Description  | Memory address            |
|------------------------|--|---------------------------|
| TS_CAL1                | TS ADC raw data acquired at temperature of 30 $^{\circ}\text{C}$ ,<br>$V_{DDA} = 3.3\text{ V}$ | 0x1FFF F7B8 - 0x1FFF F7B9 |
| TS_CAL2                | TS ADC raw data acquired at temperature of 110 $^{\circ}\text{C}$<br>$V_{DDA} = 3.3\text{ V}$  | 0x1FFF F7C2 - 0x1FFF F7C3 |

### 6.3.23 $V_{BAT}$ monitoring characteristics

Table 73.  $V_{BAT}$  monitoring characteristics

| Symbol                 | Parameter  | Min | Typ | Max | Unit          |
|------------------------|--|-----|-----|-----|---------------|
| R                      | Resistor bridge for $V_{BAT}$                                | -   | 50  | -   | K $\Omega$    |
| Q                      | Ratio on $V_{BAT}$ measurement                               | -   | 2   | -   | -             |
| $E_r^{(1)}$            | Error on Q   | -1  | -   | +1  | %             |
| $T_{S\_vbat}^{(1)(2)}$ | ADC sampling time when reading the $V_{BAT}$<br>1mV accuracy | 2.2 | -   | -   | $\mu\text{s}$ |

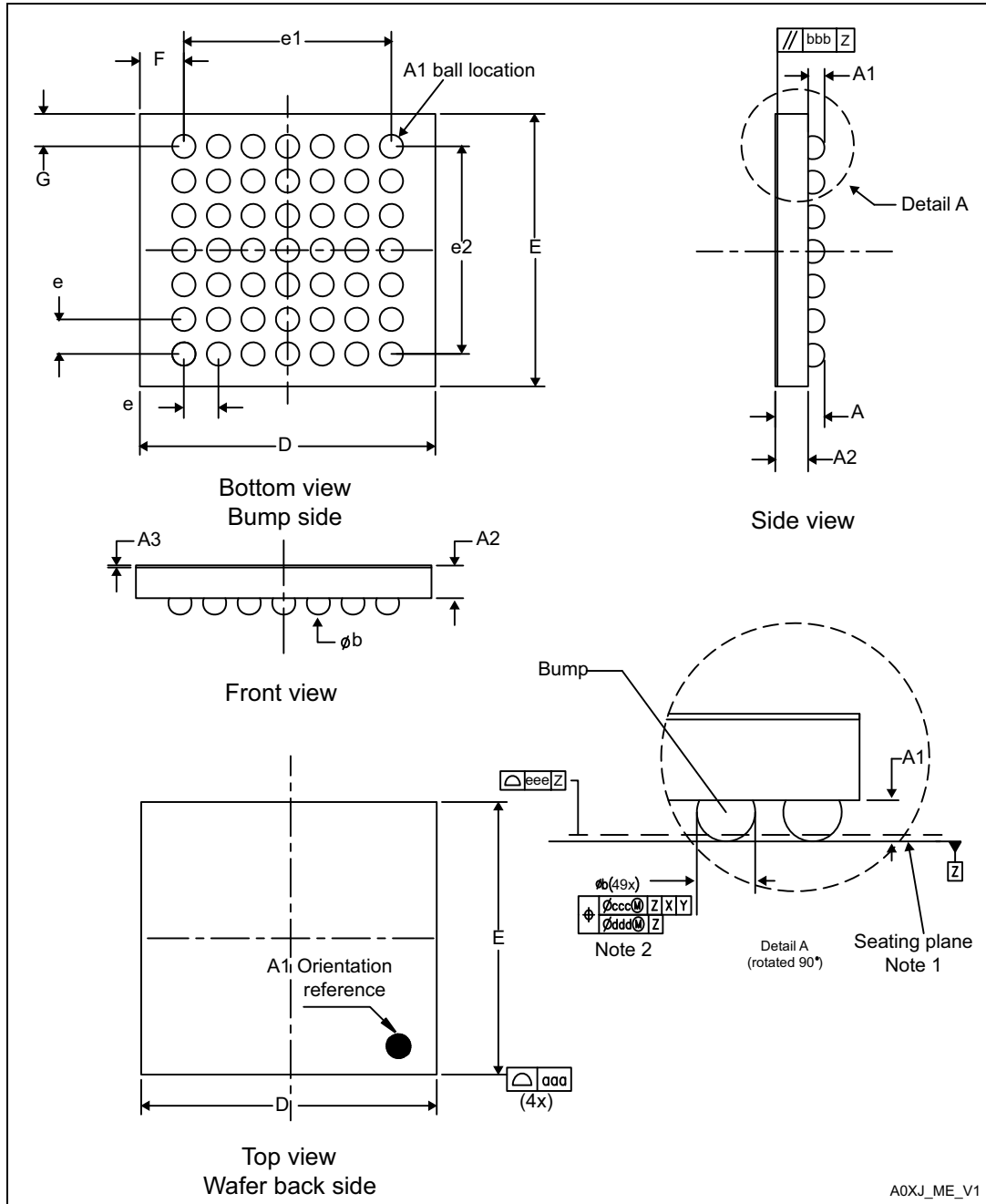
1. Guaranteed by design.
2. Shortest sampling time can be determined in the application by multiple iterations.

## 7 Package information

In order to meet environmental requirements, ST offers these devices in different grades of ECOPACK<sup>®</sup> packages, depending on their level of environmental compliance. ECOPACK<sup>®</sup> specifications, grade definitions and product status are available at: [www.st.com](http://www.st.com). ECOPACK<sup>®</sup> is an ST trademark.

### 7.1 WLCSP49 package information

Figure 37. WLCSP49 - 49-pin, 3.417 x 3.151 mm, 0.4 mm pitch wafer level chip scale package outline



A0XJ\_ME\_V1

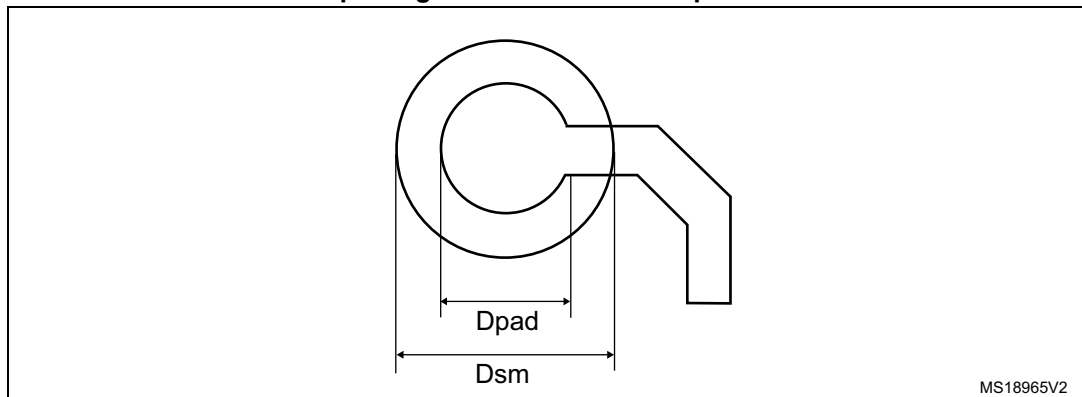
1. Drawing is not to scale.

**Table 74. WLCSP49 - 49-pin, 3.417 x 3.151 mm, 0.4 mm pitch wafer level chip scale package mechanical data**

| Symbol            | millimeters |        |       | inches <sup>(1)</sup> |        |        |
|-------------------|-------------|--------|-------|-----------------------|--------|--------|
|                   | Min         | Typ    | Max   | Min                   | Typ    | Max    |
| A                 | 0.525       | 0.555  | 0.585 | 0.0207                | 0.0219 | 0.0230 |
| A1                | -           | 0.175  | -     | -                     | 0.0069 | -      |
| A2                | -           | 0.380  | -     | -                     | 0.0150 | -      |
| A3 <sup>(2)</sup> | -           | 0.025  | -     | -                     | 0.0010 | -      |
| b <sup>(3)</sup>  | 0.220       | 0.250  | 0.280 | 0.0087                | 0.0098 | 0.0110 |
| D                 | 3.382       | 3.417  | 3.452 | 0.1331                | 0.1345 | 0.1359 |
| E                 | 3.116       | 3.151  | 3.186 | 0.1227                | 0.1241 | 0.1254 |
| e                 | -           | 0.400  | -     | -                     | 0.0157 | -      |
| e1                | -           | 2.400  | -     | -                     | 0.0945 | -      |
| e2                | -           | 2.400  | -     | -                     | 0.0945 | -      |
| F                 | -           | 0.5085 | -     | -                     | 0.0200 | -      |
| G                 | -           | 0.3755 | -     | -                     | 0.0148 | -      |
| aaa               | -           | -      | 0.100 | -                     | -      | 0.0039 |
| bbb               | -           | -      | 0.100 | -                     | -      | 0.0039 |
| ccc               | -           | -      | 0.100 | -                     | -      | 0.0039 |
| ddd               | -           | -      | 0.050 | -                     | -      | 0.0020 |
| eee               | -           | -      | 0.050 | -                     | -      | 0.0020 |

1. Values in inches are converted from mm and rounded to 4 decimal digits.
2. Back side coating
3. Dimension is measured at the maximum bump diameter parallel to primary datum Z.

**Figure 38. WLCSP49 - 49-pin, 3.417 x 3.151 mm, 0.4 mm pitch wafer level chip scale package recommended footprint**



**Table 75. WLCSP49 recommended PCB design rules (0.4 mm pitch)**

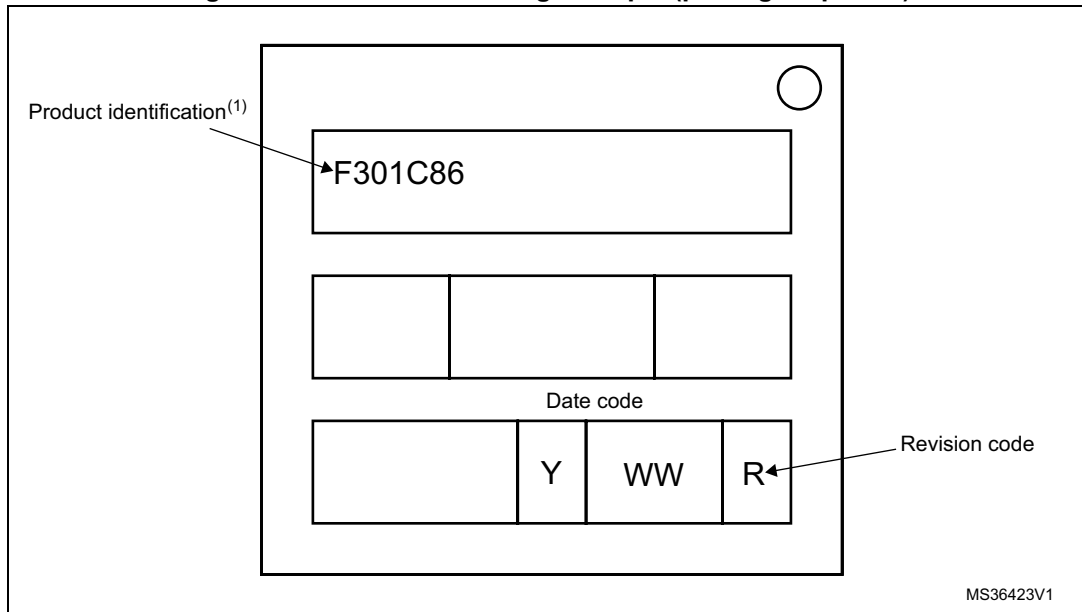
| Dimension      | Recommended values                             |
|----------------|--|
| Pitch          | 0.4  |
| Dpad           | 260 µm max. (circular)                         |
|                | 220 µm recommended                             |
| Dsm            | 300 µm min. (for 260 µm diameter pad)          |
| PCB pad design | Non-solder mask defined via underbump allowed. |

**WLCSP49 device marking**

The following figure gives an example of topside marking orientation versus ball A1 identifier location.

Other optional marking or inset/upset marks, which identify the parts throughout supply chain operations, are not indicated below.

**Figure 39. WLCSP49 marking example (package top view)**



1. Parts marked as ES or E or accompanied by an engineering sample notification letter are not yet qualified and therefore not approved for use in production. ST is not responsible for any consequences resulting from such use. In no event will ST be liable for the customer using any of these engineering samples in production. ST's Quality department must be contacted prior to any decision to use these engineering samples to run a qualification activity.



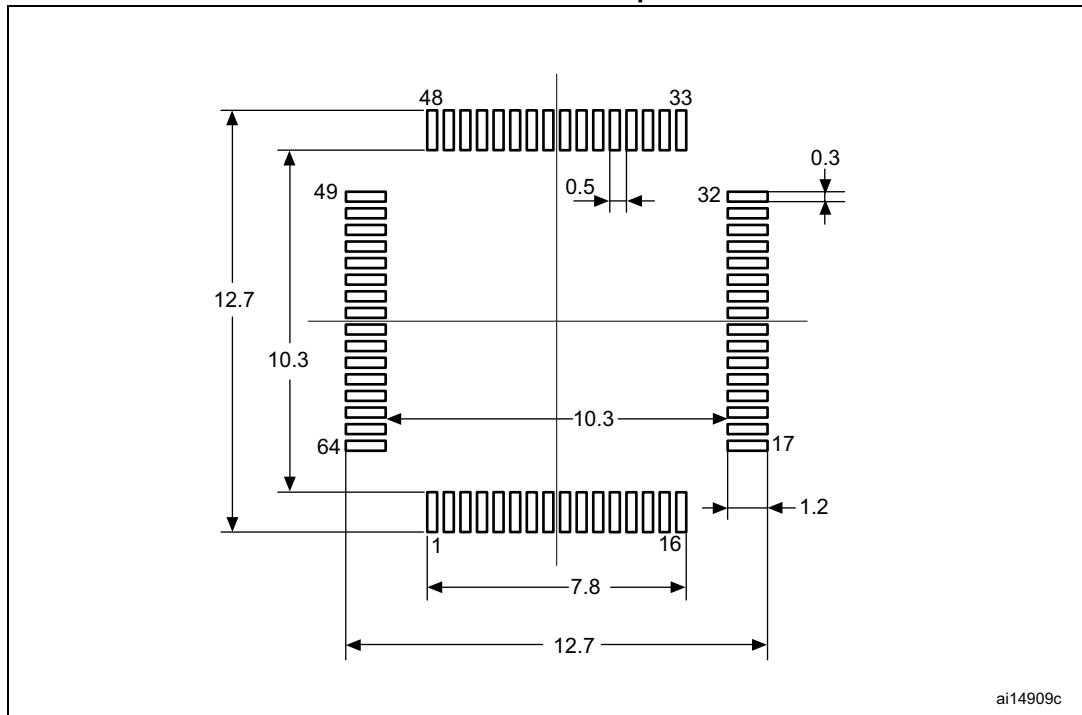


**Table 76. LQFP64 - 64-pin, 10 x 10 mm low-profile quad flat package mechanical data (continued)**

| Symbol | millimeters |       |       | inches <sup>(1)</sup> |        |        |
|--------|-------------|-------|-------|-----------------------|--------|--------|
|        | Min         | Typ   | Max   | Min                   | Typ    | Max    |
| E3     | -           | 7.500 | -     | -                     | 0.2953 | -      |
| e      | -           | 0.500 | -     | -                     | 0.0197 | -      |
| K      | 0°          | 3.5°  | 7°    | 0°                    | 3.5°   | 7°     |
| L      | 0.450       | 0.600 | 0.750 | 0.0177                | 0.0236 | 0.0295 |
| L1     | -           | 1.000 | -     | -                     | 0.0394 | -      |
| ccc    | -           | -     | 0.080 | -                     | -      | 0.0031 |

1. Values in inches are converted from mm and rounded to 4 decimal digits.

**Figure 41. LQFP64 - 64-pin, 10 x 10 mm low-profile quad flat package recommended footprint**



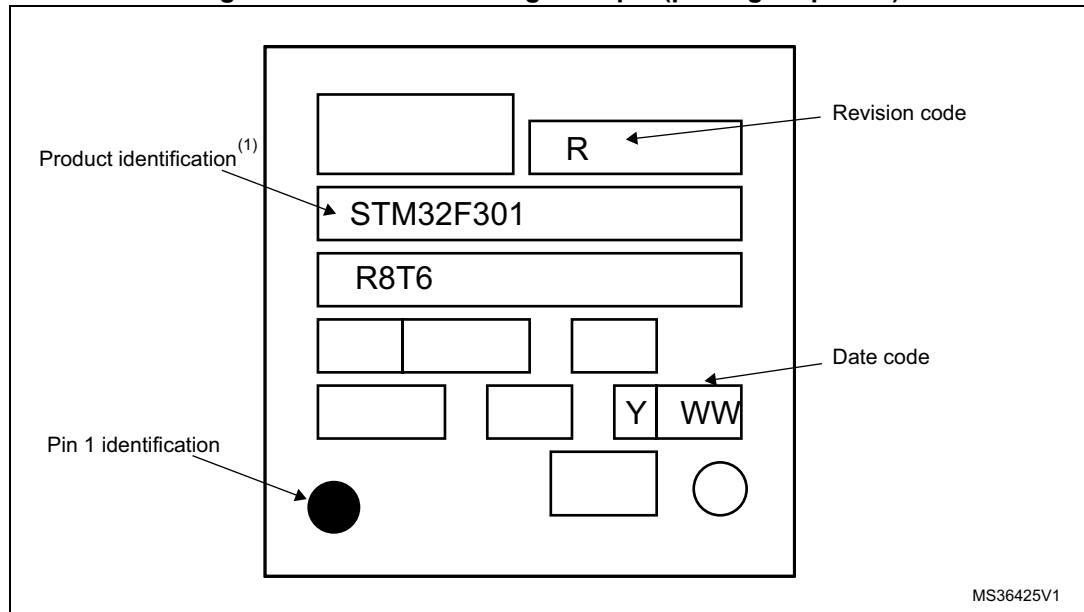
1. Dimensions are expressed in millimeters.

### LQFP64 device marking

The following figure gives an example of topside marking orientation versus pin 1 identifier location.

Other optional marking or inset/upset marks, which identify the parts throughout supply chain operations, are not indicated below.

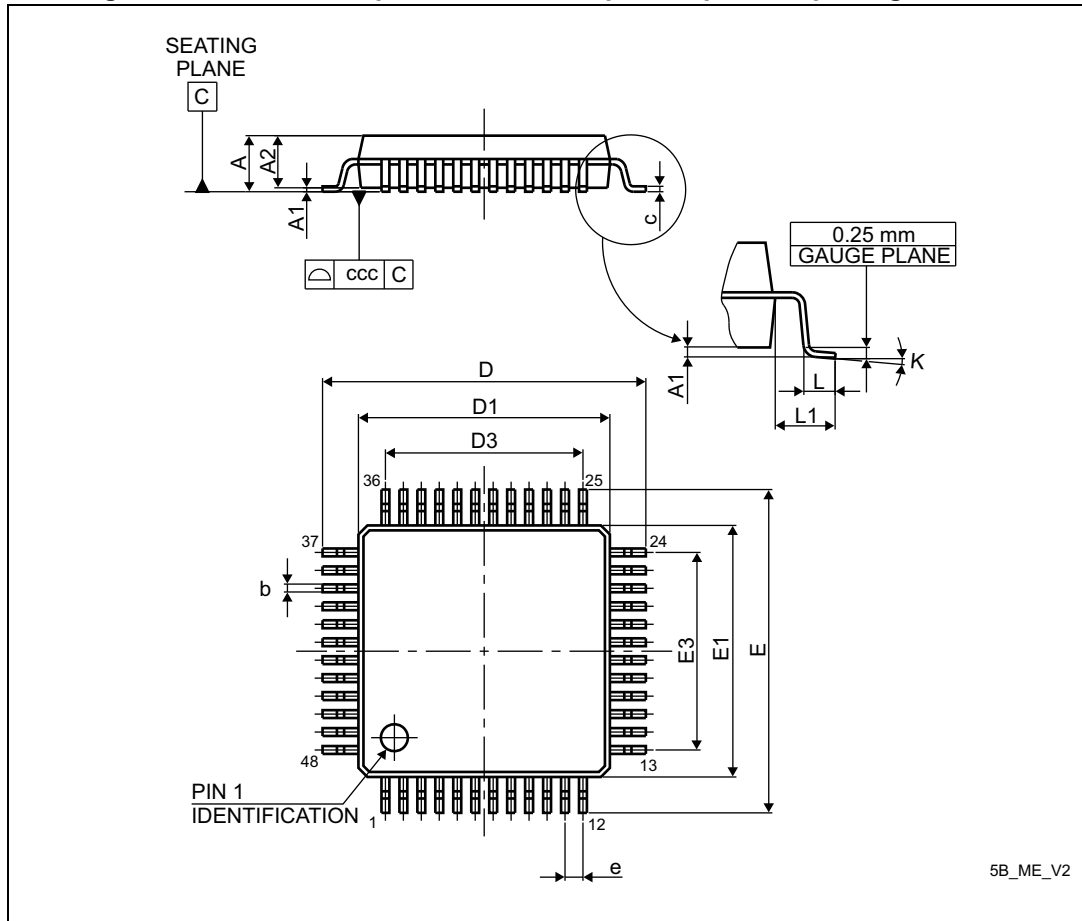
Figure 42. LQFP64 marking example (package top view)



1. Parts marked as ES or E or accompanied by an engineering sample notification letter are not yet qualified and therefore not approved for use in production. ST is not responsible for any consequences resulting from such use. In no event will ST be liable for the customer using any of these engineering samples in production. ST's Quality department must be contacted prior to any decision to use these engineering samples to run a qualification activity.

### 7.3 LQFP48 package information

Figure 43. LQFP48 - 48-pin, 7 x 7 mm low-profile quad flat package outline



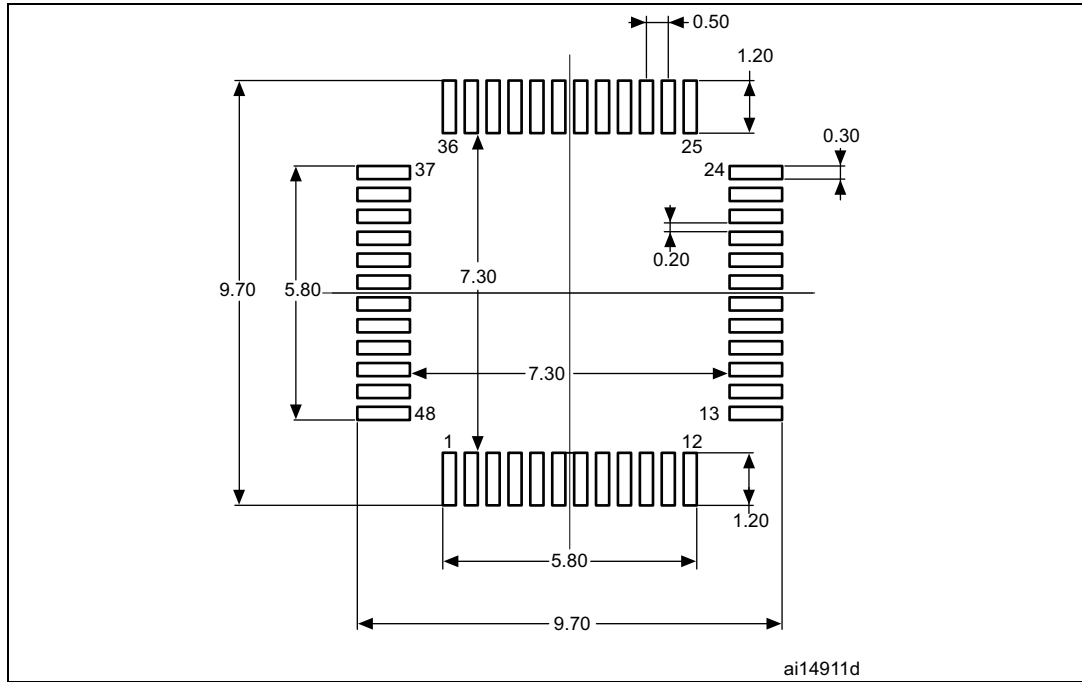
1. Drawing is not to scale.

**Table 77. LQFP48 - 48-pin, 7 x 7 mm low-profile quad flat package mechanical data**

| Symbol | millimeters |       |       | inches <sup>(1)</sup> |        |        |
|--------|-------------|-------|-------|-----------------------|--------|--------|
|        | Min         | Typ   | Max   | Min                   | Typ    | Max    |
| A      | -           | -     | 1.600 | -                     | -      | 0.0630 |
| A1     | 0.050       | -     | 0.150 | 0.0020                | -      | 0.0059 |
| A2     | 1.350       | 1.400 | 1.450 | 0.0531                | 0.0551 | 0.0571 |
| b      | 0.170       | 0.220 | 0.270 | 0.0067                | 0.0087 | 0.0106 |
| c      | 0.090       | -     | 0.200 | 0.0035                | -      | 0.0079 |
| D      | 8.800       | 9.000 | 9.200 | 0.3465                | 0.3543 | 0.3622 |
| D1     | 6.800       | 7.000 | 7.200 | 0.2677                | 0.2756 | 0.2835 |
| D3     | -           | 5.500 | -     | -                     | 0.2165 | -      |
| E      | 8.800       | 9.000 | 9.200 | 0.3465                | 0.3543 | 0.3622 |
| E1     | 6.800       | 7.000 | 7.200 | 0.2677                | 0.2756 | 0.2835 |
| E3     | -           | 5.500 | -     | -                     | 0.2165 | -      |
| e      | -           | 0.500 | -     | -                     | 0.0197 | -      |
| L      | 0.450       | 0.600 | 0.750 | 0.0177                | 0.0236 | 0.0295 |
| L1     | -           | 1.000 | -     | -                     | 0.0394 | -      |
| k      | 0°          | 3.5°  | 7°    | 0°                    | 3.5°   | 7°     |
| ccc    | -           | -     | 0.080 | -                     | -      | 0.0031 |

1. Values in inches are converted from mm and rounded to 4 decimal digits.

Figure 44. LQFP48 - 48-pin, 7 x 7 mm low-profile quad flat package recommended footprint



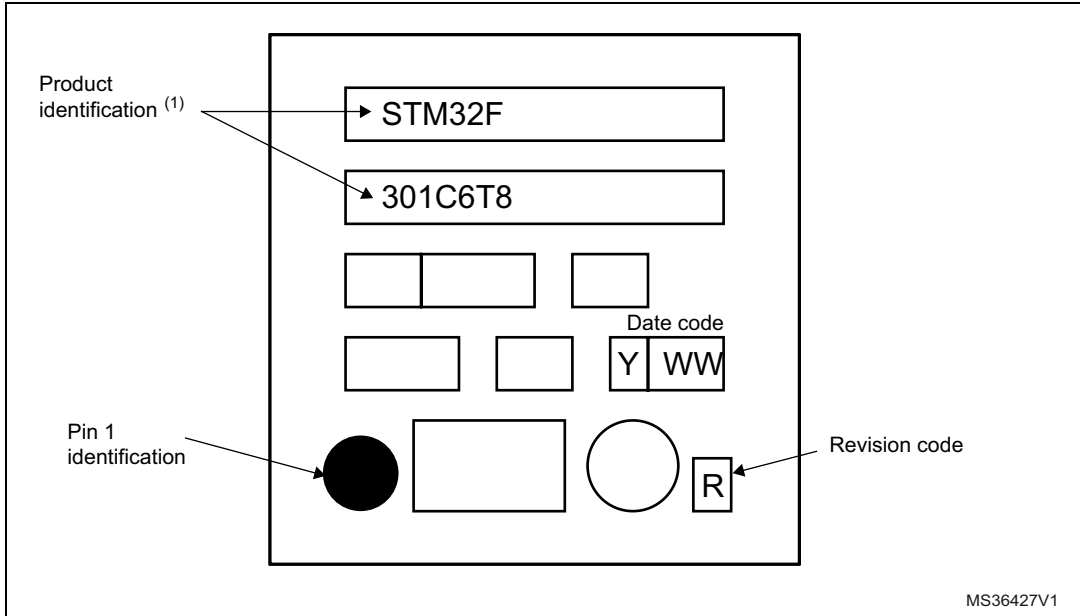
1. Dimensions are expressed in millimeters.

**LQFP48 device marking**

The following figure gives an example of topside marking orientation versus pin 1 identifier location.

Other optional marking or inset/upset marks, which identify the parts throughout supply chain operations, are not indicated below.

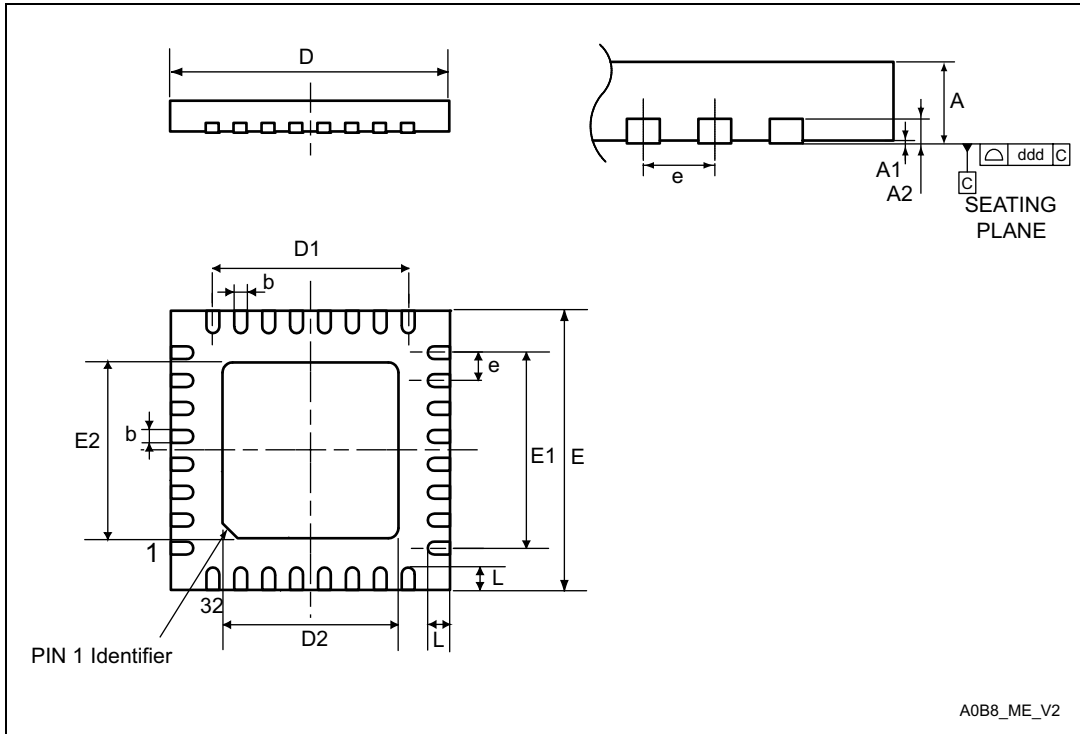
**Figure 45. LQFP48 marking example (package top view)**



1. Parts marked as ES or E or accompanied by an engineering sample notification letter are not yet qualified and therefore not approved for use in production. ST is not responsible for any consequences resulting from such use. In no event will ST be liable for the customer using any of these engineering samples in production. ST's Quality department must be contacted prior to any decision to use these engineering samples to run a qualification activity.

### 7.4 UFQFPN32 package information

Figure 46. UFQFPN32 - 32-pin, 5x5 mm, 0.5 mm pitch ultra thin fine pitch quad flat package outline



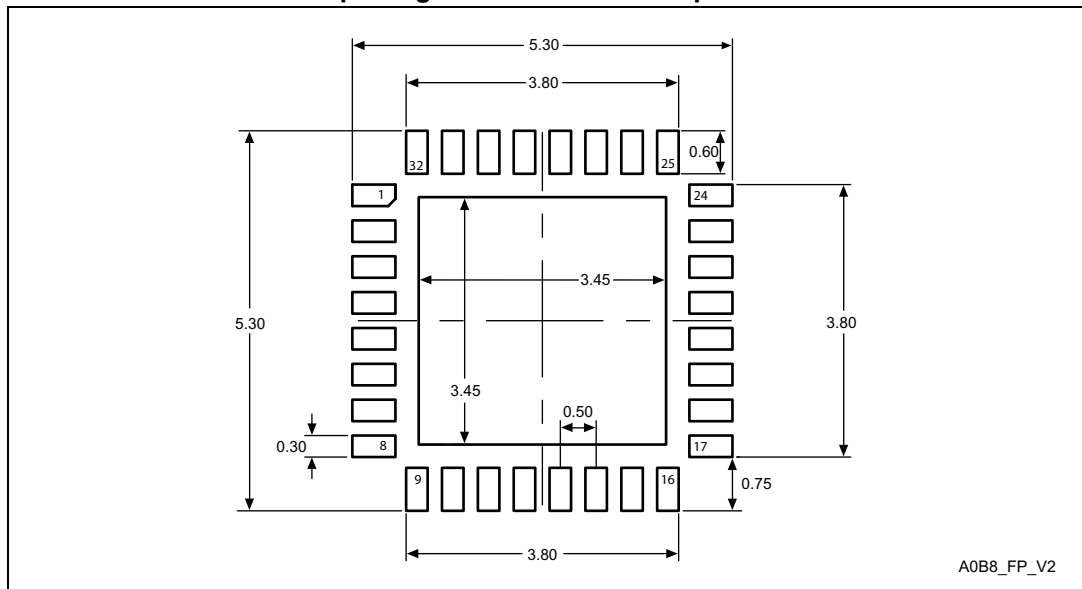
1. Drawing is not to scale.
2. All leads/pads should also be soldered to the PCB to improve the lead/pad solder joint life.

**Table 78. UFQFPN32 - 32-pin, 5x5 mm, 0.5 mm pitch ultra thin fine pitch quad flat package mechanical data**

| Symbol | millimeters |       |       | inches <sup>(1)</sup> |        |        |
|--------|-------------|-------|-------|-----------------------|--------|--------|
|        | Min         | Typ   | Max   | Min                   | Typ    | Max    |
| A      | 0.500       | 0.550 | 0.600 | 0.0197                | 0.0217 | 0.0236 |
| A1     | 0.000       | 0.020 | 0.050 | 0.0000                | 0.0008 | 0.0020 |
| A3     | -           | 0.152 | -     | -                     | 0.0060 | -      |
| b      | 0.180       | 0.230 | 0.280 | 0.0071                | 0.0091 | 0.0110 |
| D      | 4.900       | 5.000 | 5.100 | 0.1929                | 0.1969 | 0.2008 |
| D1     | 3.400       | 3.500 | 3.600 | 0.1339                | 0.1378 | 0.1417 |
| D2     | 3.400       | 3.500 | 3.600 | 0.1339                | 0.1378 | 0.1417 |
| E      | 4.900       | 5.000 | 5.100 | 0.1929                | 0.1969 | 0.2008 |
| E1     | 3.400       | 3.500 | 3.600 | 0.1339                | 0.1378 | 0.1417 |
| E2     | 3.400       | 3.500 | 3.600 | 0.1339                | 0.1378 | 0.1417 |
| e      | -           | 0.500 | -     | -                     | 0.0197 | -      |
| L      | 0.300       | 0.400 | 0.500 | 0.0118                | 0.0157 | 0.0197 |
| ddd    | -           | -     | 0.080 | -                     | -      | 0.0031 |

1. Values in inches are converted from mm and rounded to 4 decimal digits.

**Figure 47. UFQFPN32 - 32-pin, 5x5 mm, 0.5 mm pitch ultra thin fine pitch quad flat package recommended footprint**



1. Dimensions are expressed in millimeters.

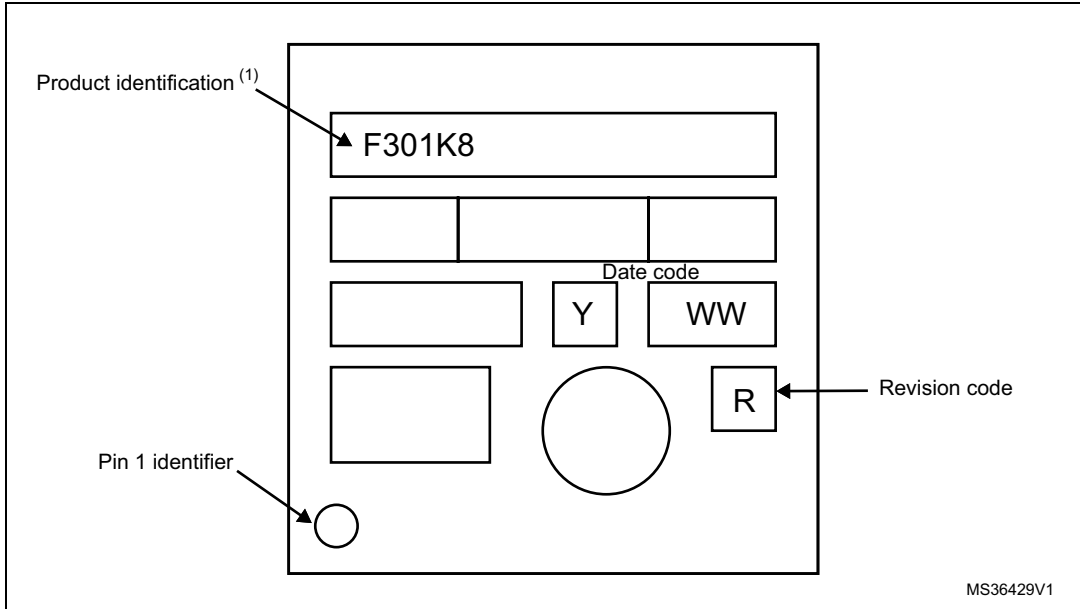


### UFQFPN32 device marking

The following figure gives an example of topside marking orientation versus pin 1 identifier location.

Other optional marking or inset/upset marks, which identify the parts throughout supply chain operations, are not indicated below.

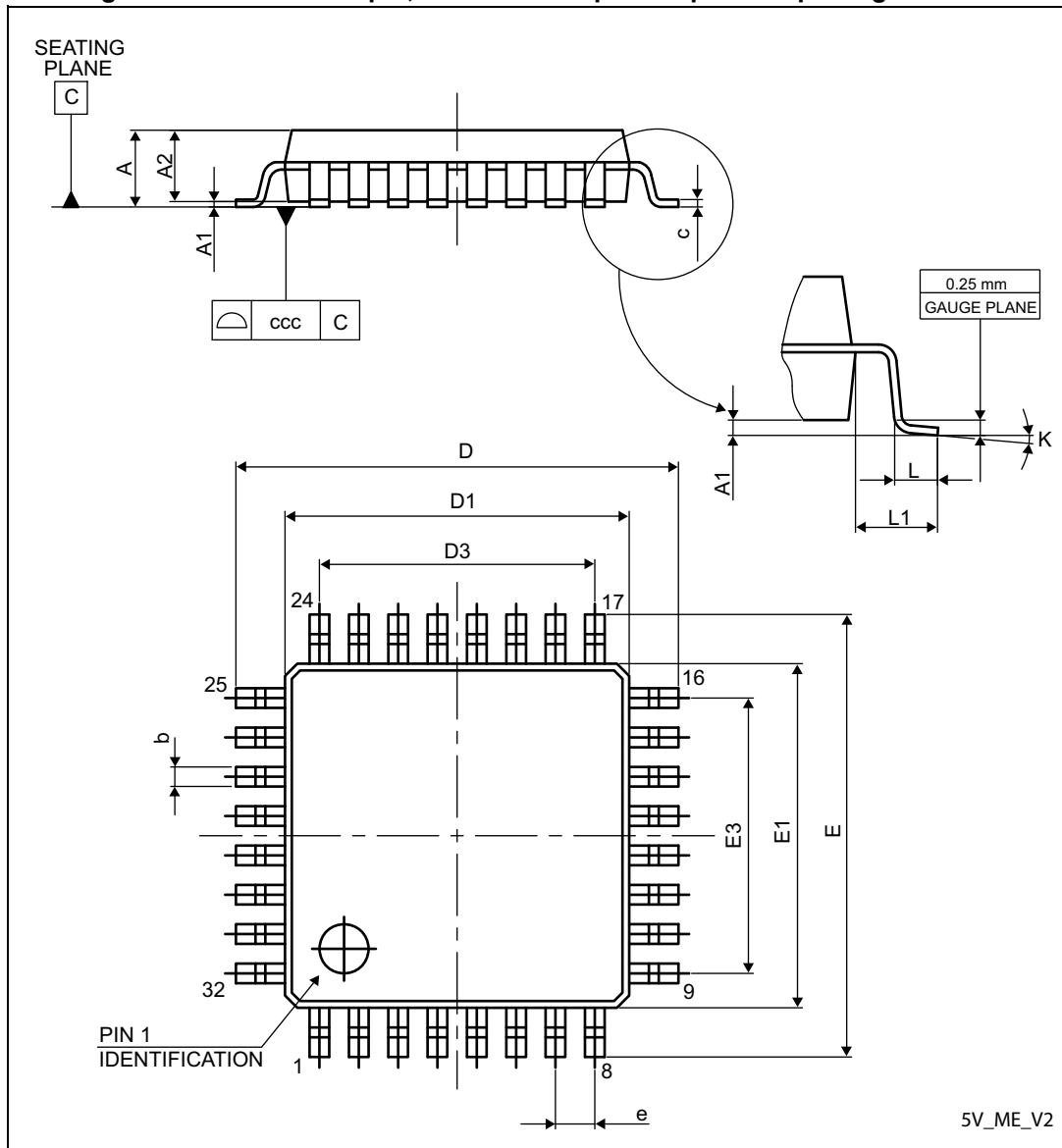
**Figure 48. UFQFPN32 marking example (package top view)**



1. Parts marked as ES or E or accompanied by an engineering sample notification letter are not yet qualified and therefore not approved for use in production. ST is not responsible for any consequences resulting from such use. In no event will ST be liable for the customer using any of these engineering samples in production. ST's Quality department must be contacted prior to any decision to use these engineering samples to run a qualification activity.

### 7.5 LQFP32 package information

Figure 49. LQFP32 - 32-pin, 7 x 7 mm low-profile quad flat package outline



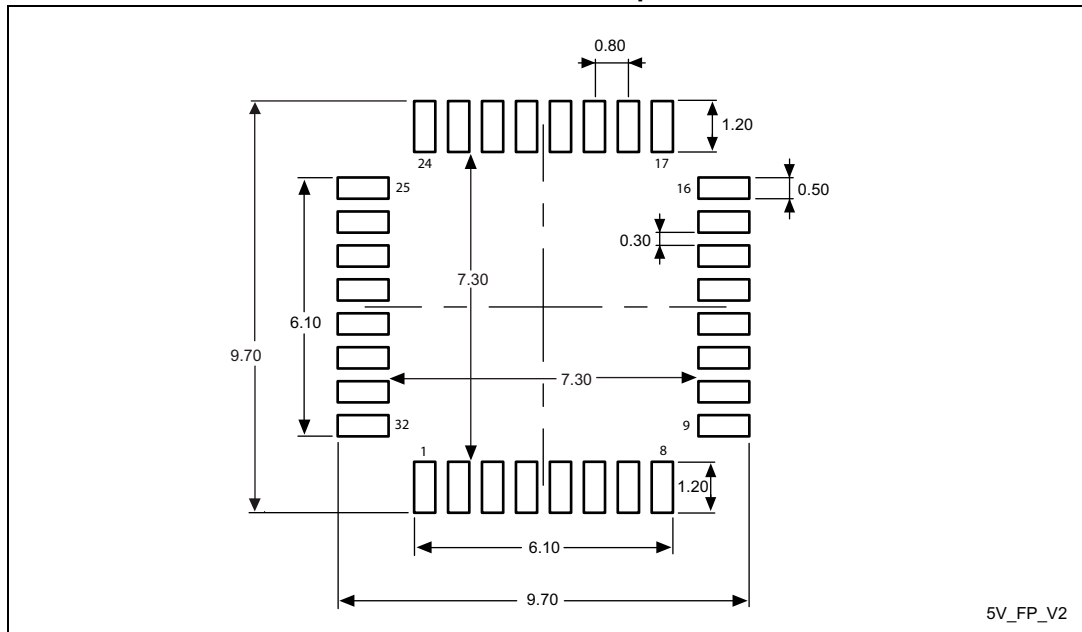
1. Drawing is not to scale.

**Table 79. LQFP32 - 32-pin, 7 x 7 mm low-profile quad flat package mechanical data**

| Symbol | millimeters |       |       | inches <sup>(1)</sup> |        |        |
|--------|-------------|-------|-------|-----------------------|--------|--------|
|        | Min         | Typ   | Max   | Min                   | Typ    | Max    |
| A      | -           | -     | 1.600 | -                     | -      | 0.0630 |
| A1     | 0.050       | -     | 0.150 | 0.0020                | -      | 0.0059 |
| A2     | 1.350       | 1.400 | 1.450 | 0.0531                | 0.0551 | 0.0571 |
| b      | 0.300       | 0.370 | 0.450 | 0.0118                | 0.0146 | 0.0177 |
| c      | 0.090       | -     | 0.200 | 0.0035                | -      | 0.0079 |
| D      | 8.800       | 9.000 | 9.200 | 0.3465                | 0.3543 | 0.3622 |
| D1     | 6.800       | 7.000 | 7.200 | 0.2677                | 0.2756 | 0.2835 |
| D3     | -           | 5.600 | -     | -                     | 0.2205 | -      |
| E      | 8.800       | 9.000 | 9.200 | 0.3465                | 0.3543 | 0.3622 |
| E1     | 6.800       | 7.000 | 7.200 | 0.2677                | 0.2756 | 0.2835 |
| E3     | -           | 5.600 | -     | -                     | 0.2205 | -      |
| e      | -           | 0.800 | -     | -                     | 0.0315 | -      |
| L      | 0.450       | 0.600 | 0.750 | 0.0177                | 0.0236 | 0.0295 |
| L1     | -           | 1.000 | -     | -                     | 0.0394 | -      |
| k      | 0°          | 3.5°  | 7°    | 0°                    | 3.5°   | 7°     |
| ccc    | -           | -     | 0.100 | -                     | -      | 0.0039 |

1. Values in inches are converted from mm and rounded to 4 decimal digits.

Figure 50. LQFP32 - 32-pin, 7 x 7 mm low-profile quad flat package recommended footprint



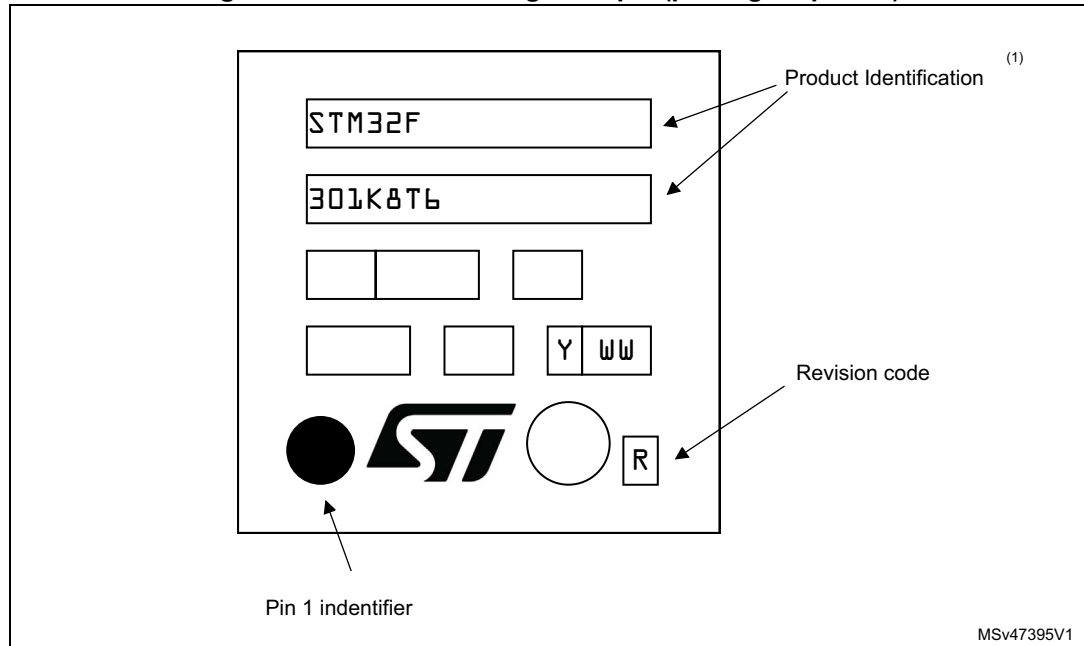
1. Drawing is not to scale.
2. Dimensions are expressed in millimeters.

### LQFP32 device marking

The following figure gives an example of topside marking orientation versus pin 1 identifier location.

Other optional marking or inset/upset marks, which identify the parts throughout supply chain operations, are not indicated below.

Figure 51. LQFP32 marking example (package top view)



1. Parts marked as ES or E or accompanied by an engineering sample notification letter are not yet qualified and therefore not approved for use in production. ST is not responsible for any consequences resulting from such use. In no event will ST be liable for the customer using any of these engineering samples in production. ST's Quality department must be contacted prior to any decision to use these engineering samples to run a qualification activity.

## 7.6 Thermal characteristics

The maximum chip junction temperature ( $T_{Jmax}$ ) must never exceed the values given in [Table 23: General operating conditions](#).

The maximum chip-junction temperature,  $T_J$  max, in degrees Celsius, may be calculated using the following equation:

$$T_J \text{ max} = T_A \text{ max} + (P_D \text{ max} \times \Theta_{JA})$$

Where:

- $T_A$  max is the maximum ambient temperature in °C,
- $\Theta_{JA}$  is the package junction-to-ambient thermal resistance, in °C/W,
- $P_D$  max is the sum of  $P_{INT}$  max and  $P_{I/O}$  max ( $P_D$  max =  $P_{INT}$  max +  $P_{I/O}$ max),
- $P_{INT}$  max is the product of  $I_{DD}$  and  $V_{DD}$ , expressed in Watts. This is the maximum chip internal power.

$P_{I/O}$  max represents the maximum power dissipation on output pins where:

$$P_{I/O} \text{ max} = \Sigma (V_{OL} \times I_{OL}) + \Sigma ((V_{DD} - V_{OH}) \times I_{OH}),$$

taking into account the actual  $V_{OL} / I_{OL}$  and  $V_{OH} / I_{OH}$  of the I/Os at low and high level in the application.

**Table 80. Package thermal characteristics**

| Symbol        | Parameter   | Value | Unit |
|---------------|---|-------|------|
| $\Theta_{JA}$ | Thermal resistance junction-ambient<br>LQFP64 - 10 × 10 mm / 0.5 mm pitch | 45    | °C/W |
|               | Thermal resistance junction-ambient<br>LQFP48 - 7 × 7 mm                  | 55    |      |
|               | Thermal resistance junction-ambient<br>WCSP49 - 3.4 × 3.4 mm              | 49    |      |
|               | Thermal resistance junction-ambient<br>UFQFN32 - 5 × 5 mm                 | 37    |      |
|               | Thermal resistance junction-ambient<br>LQFP32 - 7 × 7mm / 0.8 mm pitch    | 60    |      |

### 7.6.1 Reference document

JESD51-2 Integrated Circuits Thermal Test Method Environment Conditions - Natural Convection (Still Air). Available from [www.jedec.org](http://www.jedec.org)

## 7.6.2 Selecting the product temperature range

When ordering the microcontroller, the temperature range is specified in the ordering information scheme shown in [Section 8: Ordering information](#).

Each temperature range suffix corresponds to a specific guaranteed ambient temperature at maximum dissipation and, to a specific maximum junction temperature.

As applications do not commonly use the STM32F301x6 STM32F301x8 at maximum dissipation, it is useful to calculate the exact power consumption and junction temperature to determine which temperature range will be best suited to the application.

The following examples show how to calculate the temperature range needed for a given application.

### Example 1: High-performance application

Assuming the following application conditions:

Maximum ambient temperature  $T_{Amax} = 82\text{ °C}$  (measured according to JESD51-2),  
 $I_{DDmax} = 50\text{ mA}$ ,  $V_{DD} = 3.5\text{ V}$ , maximum 3 I/Os used at the same time in output at low level with  $I_{OL} = 8\text{ mA}$ ,  $V_{OL} = 0.4\text{ V}$  and maximum 2 I/Os used at the same time in output at low level with  $I_{OL} = 20\text{ mA}$ ,  $V_{OL} = 1.3\text{ V}$

$$P_{INTmax} = 50\text{ mA} \times 3.5\text{ V} = 175\text{ mW}$$

$$P_{IOmax} = 3 \times 8\text{ mA} \times 0.4\text{ V} + 2 \times 20\text{ mA} \times 1.3\text{ V} = 61.6\text{ mW}$$

This gives:  $P_{INTmax} = 175\text{ mW}$  and  $P_{IOmax} = 61.6\text{ mW}$ :

$$P_{Dmax} = 175 + 61.6 = 236.6\text{ mW}$$

Thus:  $P_{Dmax} = 236.6\text{ mW}$

Using the values obtained in [Table 80](#)  $T_{Jmax}$  is calculated as follows:

– For LQFP64,  $45\text{ °C/W}$

$$T_{Jmax} = 82\text{ °C} + (45\text{ °C/W} \times 236.6\text{ mW}) = 82\text{ °C} + 10.65\text{ °C} = 92.65\text{ °C}$$

This is within the range of the suffix 6 version parts ( $-40 < T_J < 105\text{ °C}$ ).

In this case, parts must be ordered at least with the temperature range suffix 6 (see [Section 8: Ordering information](#)).

**Example 2: High-temperature application**

Using the same rules, it is possible to address applications that run at high ambient temperatures with a low dissipation, as long as junction temperature  $T_J$  remains within the specified range.

Assuming the following application conditions:

Maximum ambient temperature  $T_{Amax} = 115\text{ °C}$  (measured according to JESD51-2),  
 $I_{DDmax} = 20\text{ mA}$ ,  $V_{DD} = 3.5\text{ V}$ , maximum 9 I/Os used at the same time in output at low level with  $I_{OL} = 8\text{ mA}$ ,  $V_{OL} = 0.4\text{ V}$

$$P_{INTmax} = 20\text{ mA} \times 3.5\text{ V} = 70\text{ mW}$$

$$P_{IOmax} = 9 \times 8\text{ mA} \times 0.4\text{ V} = 28.8\text{ mW}$$

This gives:  $P_{INTmax} = 70\text{ mW}$  and  $P_{IOmax} = 28.8\text{ mW}$ :

$$P_{Dmax} = 70 + 28.8 = 98.8\text{ mW}$$

Thus:  $P_{Dmax} = 98.8\text{ mW}$

Using the values obtained in [Table 80](#)  $T_{Jmax}$  is calculated as follows:

– For LQFP100,  $45\text{ °C/W}$

$$T_{Jmax} = 115\text{ °C} + (45\text{ °C/W} \times 98.8\text{ mW}) = 115\text{ °C} + 4.44\text{ °C} = 119.44\text{ °C}$$

This is within the range of the suffix 7 version parts ( $-40 < T_J < 125\text{ °C}$ ).

In this case, parts must be ordered at least with the temperature range suffix 7 (see [Section 8: Ordering information](#)).



## 8 Ordering information

**Table 81. Ordering information scheme**

| Example:   | STM32 | F | 301 | K | 8 | T | 6 | xxx |
|--|-------|---|-----|---|---|---|---|-----|
| <b>Device family</b>                                   |       |   |     |   |   |   |   |     |
| STM32 = Arm <sup>®</sup> -based 32-bit microcontroller |       |   |     |   |   |   |   |     |
| <b>Product type</b>                                    |       |   |     |   |   |   |   |     |
| F = general-purpose                                    |       |   |     |   |   |   |   |     |
| <b>Device subfamily</b>                                |       |   |     |   |   |   |   |     |
| 301 = STM32F301xx, 2.0 to 3.6 V operating voltage      |       |   |     |   |   |   |   |     |
| <b>Pin count</b>                                       |       |   |     |   |   |   |   |     |
| K = 32 pins  |       |   |     |   |   |   |   |     |
| C = 48 or 49 pins                                      |       |   |     |   |   |   |   |     |
| R = 64 pins  |       |   |     |   |   |   |   |     |
| <b>Flash memory size</b>                               |       |   |     |   |   |   |   |     |
| 6 = 32 Kbytes of Flash memory                          |       |   |     |   |   |   |   |     |
| 8 = 64 Kbytes of Flash memory                          |       |   |     |   |   |   |   |     |
| <b>Package</b>   |       |   |     |   |   |   |   |     |
| T = LQFP   |       |   |     |   |   |   |   |     |
| Y = WLCSP  |       |   |     |   |   |   |   |     |
| U = UFQFPN   |       |   |     |   |   |   |   |     |
| <b>Temperature range</b>                               |       |   |     |   |   |   |   |     |
| 6 = Industrial temperature range, -40 to 85 °C         |       |   |     |   |   |   |   |     |
| 7 = Industrial temperature range, -40 to 105 °C        |       |   |     |   |   |   |   |     |
| <b>Options</b>   |       |   |     |   |   |   |   |     |
| xxx = programmed parts                                 |       |   |     |   |   |   |   |     |
| TR = tape and reel                                     |       |   |     |   |   |   |   |     |

## 9 Revision history

**Table 82. Document revision history**

| Date        | Revision | Changes  |
|-------------|----------|--|
| 10-Apr-2014 | 1        | Initial release.   |
| 13-May-2014 | 2        | Updated <a href="#">Table 13: STM32F301x6/8 pin definitions</a> .<br>Added the input voltage on Boot0 pin in <a href="#">Table 20: Voltage characteristics</a> .   |
| 02-Dec-2014 | 3        | Applied the following changes: <ul style="list-style-type: none"> <li>– added “Interconnect matrix” to <a href="#">Features</a>,</li> <li>– added the timers-related information in <a href="#">Table 2: STM32F301x6/8 device features and peripheral counts</a>,</li> <li>– updated the number of comparators for 32-pin package in <a href="#">Table 2: STM32F301x6/8 device features and peripheral counts</a></li> <li>– updated <a href="#">Figure 1: STM32F301x6/8 block diagram</a>,</li> <li>– updated <a href="#">Section 3.5.1: Power supply schemes</a> and added <a href="#">Table 3: External analog supply values for analog peripherals</a>,</li> <li>– added a table footnote about touch sensing sensitivity for pins PA4 and PA6 in <a href="#">Table 13: STM32F301x6/8 pin definitions</a>,</li> <li>– renamed USARTx_RTS as USARTx_RTS_DE where x=1, 2 or 3,</li> <li>– updated I<sub>DD</sub> values at 48 MHz (Supply current in Run mode, executing from RAM/External clock (HSE bypass)) in <a href="#">Table 29: Typical and maximum current consumption from VDD supply at VDD = 3.6V</a>,</li> <li>– updated t<sub>WUSTOP</sub> maximum values in <a href="#">Table 38: Low-power mode wakeup timings</a>,</li> <li>– updated <a href="#">Figure 19: HSI oscillator accuracy characterization results for soldered parts</a> and <a href="#">Table 43: HSI oscillator characteristics</a>,</li> <li>– updated the supply current in stop mode values for T<sub>A</sub>=25 deg. Celsius in <a href="#">Table 31: Typical and maximum VDD consumption in Stop and Standby modes</a>,</li> <li>– replaced all occurrences of V<sub>DDA</sub> monitoring with V<sub>DDA</sub> supervisor in <a href="#">Section 6: Electrical characteristics</a>,</li> <li>– added footnotes to <a href="#">Figure : UFQFPN32 device marking</a>,</li> <li>– updated the marking information (<a href="#">Figure 39: WLCSP49 marking example (package top view)</a>, <a href="#">Figure 42: LQFP64 marking example (package top view)</a>, <a href="#">Figure 45: LQFP48 marking example (package top view)</a>, <a href="#">Figure 48: UFQFPN32 marking example (package top view)</a>).</li> </ul> |
| 09-Feb-2015 | 4        | Updated: <ul style="list-style-type: none"> <li>– <a href="#">Table 41: HSE oscillator characteristics</a></li> <li>– <a href="#">Table 46: Flash memory characteristics</a></li> <li>– <a href="#">Table 69: Comparator characteristics</a></li> </ul> Added: <ul style="list-style-type: none"> <li>– <a href="#">Figure 35: Maximum V<sub>REFINT</sub> scaler startup time from power down</a></li> </ul>   |

**Table 82. Document revision history (continued)**

| Date        | Revision | Changes   |
|-------------|----------|---|
| 04-Jun-2015 | 5        | Updated:<br>– AF9 value for PA1, PA3 and PA9 in <a href="#">Table 14: Alternate functions for Port A</a> ,<br>– the structure of <a href="#">Section 7: Package information</a> .   |
| 22-Jul-2016 | 6        | Updated notes on:<br>– All document tables by removing the “not tested in production” specification.<br>– <a href="#">Table 13: STM32F301x6/8 pin definitions</a> .<br>– <a href="#">Table 20: Voltage characteristics</a> .<br>– <a href="#">Table 69: Comparator characteristics</a> .<br>– <a href="#">Figure 4: STM32F301x6/8 UFQFN32 pinout</a> .<br>– <a href="#">Figure 6: STM32F301x6/8 LQFP48 pinout</a> .<br>– <a href="#">Figure 7: STM32F301x6/8 LQFP64 pinout</a> .<br>– <a href="#">Figure 8: STM32F301x6/8 WLCSP49 ballout</a> .<br>– <a href="#">Figure 25: Recommended NRST pin protection</a> .<br>– <a href="#">Figure 46: UFQFPN32 - 32-pin, 5x5 mm, 0.5 mm pitch ultra thin fine pitch quad flat package outline</a> .<br>Updated tables:<br>– Updated $V_{REFINT}$ line on <a href="#">Table 27: Embedded internal reference voltage</a> .<br>– Updated “Conditions” column on <a href="#">Table 42: LSE oscillator characteristics (<math>f_{LSE} = 32.768</math> kHz)</a> .<br>– Added CMIR and $t_{STAB}$ lines on <a href="#">Table 63: ADC characteristics</a> .<br>– Updated $R_{LOAD}$ line on <a href="#">Table 68: DAC characteristics</a> .<br>– Updated $VOH_{SAT}$ and $VOL_{SAT}$ lines on <a href="#">Table 70: Operational amplifier characteristics</a> .<br>Updated figures:<br>– <a href="#">Figure 2: Clock tree</a> .<br>– <a href="#">Figure 8: STM32F301x6/8 WLCSP49 ballout</a> .<br>– <a href="#">Figure 22: Five volt tolerant (FT and FTf) I/O input characteristics - CMOS port</a> .<br>– <a href="#">Figure 25: Recommended NRST pin protection</a> .<br>Added:<br>– Table 39: wakeup time using USART.<br>Updated name of <a href="#">Section 8: Ordering information</a> |

Table 82. Document revision history (continued)

| Date        | Revision | Changes   |
|-------------|----------|---|
| 06-Jun-2017 | 7        | <ul style="list-style-type: none"> <li>– Updated <a href="#">Section 7.4: UFQFPN32 package information</a> note 3 removed.</li> <li>– Updated <a href="#">Section 7: Package information</a> adding information about other optional marking or inset/upset marks.</li> <li>– Updated note 1 below all the package device marking figures.</li> <li>– Updated <a href="#">Table 52: I/O current injection susceptibility</a> note by 'injection is not possible'.</li> <li>– Removed table 'Wakeup time using USART'.</li> <li>– Updated <a href="#">Figure 25: Recommended NRST pin protection</a> note about the 0.1uF capacitor.</li> </ul>  |
| 05-Apr-2018 | 8        | <p>Updated Arm word and added Arm logo in <a href="#">Section 1: Introduction</a>.</p> <p>Added LQFP32 package:</p> <ul style="list-style-type: none"> <li>– Updated cover.</li> <li>– Updated <a href="#">Table 2: STM32F301x6/8 device features and peripheral counts</a>.</li> <li>– Updated <a href="#">Figure 4: STM32F301x6/8 UFQFN32 pinout</a>.</li> <li>– Added <a href="#">Figure 5: STM32F301x6/8 LQFP32 pinout</a>.</li> <li>– Updated <a href="#">Figure 6: STM32F301x6/8 LQFP48 pinout</a>.</li> <li>– Updated <a href="#">Table 13: STM32F301x6/8 pin definitions</a> and added note on LQFP32 column.</li> <li>– Updated <a href="#">Table 23: General operating conditions</a>.</li> <li>– Added <a href="#">Section 7.5: LQFP32 package information</a>.</li> <li>– Updated <a href="#">Table 80: Package thermal characteristics</a>.</li> </ul> |

**IMPORTANT NOTICE – PLEASE READ CAREFULLY**

STMicroelectronics NV and its subsidiaries ("ST") reserve the right to make changes, corrections, enhancements, modifications, and improvements to ST products and/or to this document at any time without notice. Purchasers should obtain the latest relevant information on ST products before placing orders. ST products are sold pursuant to ST's terms and conditions of sale in place at the time of order acknowledgement.

Purchasers are solely responsible for the choice, selection, and use of ST products and ST assumes no liability for application assistance or the design of Purchasers' products.

No license, express or implied, to any intellectual property right is granted by ST herein.

Resale of ST products with provisions different from the information set forth herein shall void any warranty granted by ST for such product.

ST and the ST logo are trademarks of ST. All other product or service names are the property of their respective owners.

Information in this document supersedes and replaces information previously supplied in any prior versions of this document.

© 2018 STMicroelectronics – All rights reserved



Компания «ЭлектроПласт» предлагает заключение долгосрочных отношений при поставках импортных электронных компонентов на взаимовыгодных условиях!

Наши преимущества:

- Оперативные поставки широкого спектра электронных компонентов отечественного и импортного производства напрямую от производителей и с крупнейших мировых складов;
- Поставка более 17-ти миллионов наименований электронных компонентов;
- Поставка сложных, дефицитных, либо снятых с производства позиций;
- Оперативные сроки поставки под заказ (от 5 рабочих дней);
- Экспресс доставка в любую точку России;
- Техническая поддержка проекта, помощь в подборе аналогов, поставка прототипов;
- Система менеджмента качества сертифицирована по Международному стандарту ISO 9001;
- Лицензия ФСБ на осуществление работ с использованием сведений, составляющих государственную тайну;
- Поставка специализированных компонентов (Xilinx, Altera, Analog Devices, Intersil, Interpoint, Microsemi, Aeroflex, Peregrine, Syfer, Eurofarad, Texas Instrument, Miteq, Cobham, E2V, MA-COM, Hittite, Mini-Circuits, General Dynamics и др.);

Помимо этого, одним из направлений компании «ЭлектроПласт» является направление «Источники питания». Мы предлагаем Вам помощь Конструкторского отдела:

- Подбор оптимального решения, техническое обоснование при выборе компонента;
- Подбор аналогов;
- Консультации по применению компонента;
- Поставка образцов и прототипов;
- Техническая поддержка проекта;
- Защита от снятия компонента с производства.



#### Как с нами связаться

**Телефон:** 8 (812) 309 58 32 (многоканальный)

**Факс:** 8 (812) 320-02-42

**Электронная почта:** [org@eplast1.ru](mailto:org@eplast1.ru)

**Адрес:** 198099, г. Санкт-Петербург, ул. Калинина, дом 2, корпус 4, литера А.