

# A165S/W

## Separate Construction with Cylindrical 16-dia. Body

- Same separate construction as the A16-series Pushbuttons with Miniature Design of 28.5 mm
- The same contacts can be used for both standard loads and microloads.
- Oil-resistant IP65 models
- Conforms to EN60947-5-1.



 Refer to *Safety Precautions for All Pushbutton Switches/ Indicators* and *Safety Precautions* on page 15.

## List of Models

|                                   | Model   |   |   |
|-----------------------------------|---|---|---|
|                                   | Rectangular   | Square  | Round   |
| <b>Solder terminals</b>           |  <p>A165□-J Series</p>  |  <p>A165□-A Series</p>  |  <p>A165□-T Series</p>  |
| <b>Voltage-reduction lighting</b> |  <p>A165□-J Series</p> |  <p>A165□-A Series</p> |  <p>A165□-T Series</p> |
| <b>Screw-less clamp connector</b> |  <p>A165□-J Series</p> |  <p>A165□-A Series</p> |  <p>A165□-T Series</p> |

## Model Number Structure

**Model Number Legend** ..... The model numbers used to order sets of Units are illustrated below. One set comprises the Selector, Lamp (lighted models only), and Switch.  
For information on combinations, refer to *Ordering Information* on page 3.

(1) (2) (3) (4) (5) (6)  
A 1 6 5 W - A 2 A R - 2 4 D - 1

### (1) Lighted/ Non-lighted

| Symbol | Type        |
|--------|-------------|
| S      | Non-lighted |
| W      | Lighted     |

### (2) Shape of Selector

| Symbol | Shape       |
|--------|-------------|
| J      | Rectangular |
| A      | Square      |
| T      | Round       |

### (3) Number of Notches/ Resetting Method

| Symbol | No. of notches | Reset method   |
|--------|----------------|----------------|
| 2M     | 2 notches      | Manual<br>↓    |
|        |                | Automatic<br>◇ |
| 3M     | 3 notches      | Manual<br>↓    |
|        |                | Automatic<br>◇ |

### (4) Color of Selector

| Symbol    | Color                           |
|-----------|---------------------------------|
| No symbol | Black (non-lighted models only) |
| R         | Red                             |
| G         | Green                           |
| Y         | Yellow                          |

### (6) Contact Configuration

| Symbol | Type | Terminal         |
|--------|------|------------------|
| 1      | SPDT | Solder terminal  |
| 2      | DPDT |                  |
| 1P     | SPDT | PCB terminal     |
| 2P     | DPDT |                  |
| 2S     | DPDT | Screw-less Clamp |

Note: 1. Only DPDT contacts are available with 3-notch models and Screw-less Clamp models.  
2. PCB terminals are available only with 2-notch models.

### (5) Light Source

| Symbol    | Type        |
|-----------|-------------|
| No symbol | Non-lighted |
| 24D       | 24-V LED    |

### Voltage Reduction Unit (24-V Built-in LED)

| Symbol | Type | Operating voltage | Rated voltage |
|--------|------|-------------------|---------------|
| T1     | LED  | 100/110 VAC/VDC   | 110 VAC/VDC   |
| T2     |      | 200/220 VAC/VDC   | 220 VAC/VDC   |

Note: 1. Solder terminals are only available with 100-V models.  
2. The Voltage Reduction Unit is not available for models with PCB terminals.  
3. "T2" is available only for the Screw-less Clamp type.

## Ordering Information

**Ordering as a Set** ..... The model numbers used to order sets of Units are given in the following tables. One set comprises the Selector, Lamp (lighted models only), and Switch.

### Solder Terminals

Rectangular



A165□-J

Oil-resistant IP65

| No. of notches | Output | Reset method | Lighting method  | Model            |
|----------------|--------|--------------|------------------|------------------|
| 2 notches      | SPDT   | Manual       | LED              | A165W-J2M□-24D-1 |
|                |        |              | Non-lighted      | A165S-J2M-1      |
|                |        | Automatic    | LED              | A165W-J2A□-24D-1 |
|                |        |              | Non-lighted      | A165S-J2A-1      |
|                | DPDT   | Manual       | LED              | A165W-J2M□-24D-2 |
|                |        |              | Non-lighted      | A165S-J2M-2      |
| Automatic      |        | LED          | A165W-J2A□-24D-2 |                  |
|                |        | Non-lighted  | A165S-J2A-2      |                  |
| 3 notches      | DPDT   | Manual       | LED              | A165W-J3M□-24D-2 |
|                |        |              | Non-lighted      | A165S-J3M-2      |

Note: Enter the desired color symbol for the Selector in □: R (red); Y (yellow); G (green). The Selector for non-lighted models is black.

Square



A165□-A

Oil-resistant IP65

| No. of notches | Output | Reset method | Lighting method  | Model            |
|----------------|--------|--------------|------------------|------------------|
| 2 notches      | SPDT   | Manual       | LED              | A165W-A2M□-24D-1 |
|                |        |              | Non-lighted      | A165S-A2M-1      |
|                |        | Automatic    | LED              | A165W-A2A□-24D-1 |
|                |        |              | Non-lighted      | A165S-A2A-1      |
|                | DPDT   | Manual       | LED              | A165W-A2M□-24D-2 |
|                |        |              | Non-lighted      | A165S-A2M-2      |
| Automatic      |        | LED          | A165W-A2A□-24D-2 |                  |
|                |        | Non-lighted  | A165S-A2A-2      |                  |
| 3 notches      | DPDT   | Manual       | LED              | A165W-A3M□-24D-2 |
|                |        |              | Non-lighted      | A165S-A3M-2      |

Note: Enter the desired color symbol for the Selector in □: R (red); Y (yellow); G (green). The Selector for non-lighted models is black.

Round



A165□-T

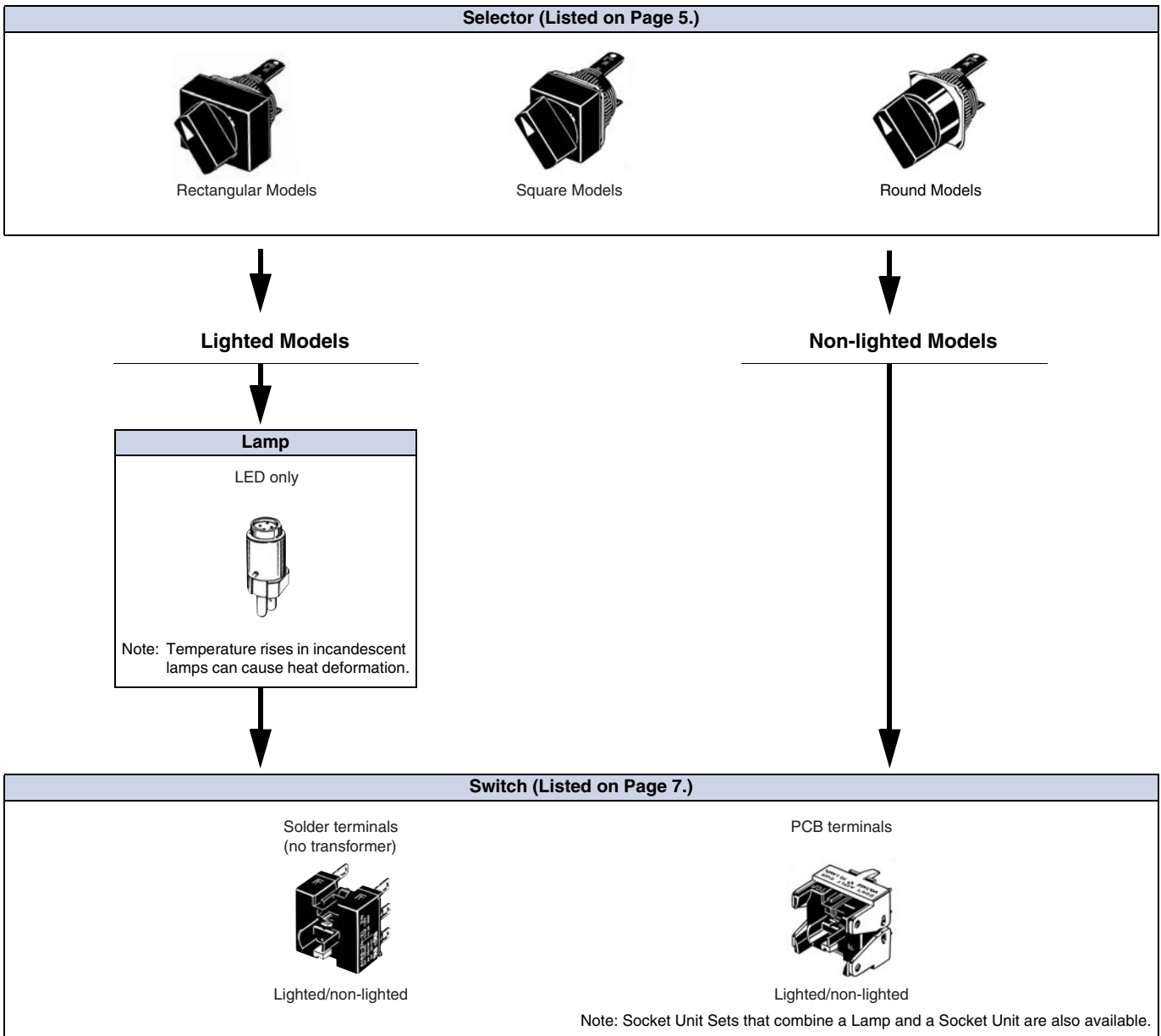
Oil-resistant IP65

| No. of notches | Output | Reset method | Lighting method  | Model            |
|----------------|--------|--------------|------------------|------------------|
| 2 notches      | SPDT   | Manual       | LED              | A165W-T2M□-24D-1 |
|                |        |              | Non-lighted      | A165S-T2M-1      |
|                |        | Automatic    | LED              | A165W-T2A□-24D-1 |
|                |        |              | Non-lighted      | A165S-T2A-1      |
|                | DPDT   | Manual       | LED              | A165W-T2M□-24D-2 |
|                |        |              | Non-lighted      | A165S-T2M-2      |
| Automatic      |        | LED          | A165W-T2A□-24D-2 |                  |
|                |        | Non-lighted  | A165S-T2A-2      |                  |
| 3 notches      | DPDT   | Manual       | LED              | A165W-T3M□-24D-2 |
|                |        |              | Non-lighted      | A165S-T3M-2      |

Note: Enter the desired color symbol for the Selector in □: R (red); Y (yellow); G (green). The Selector for non-lighted models is black.

## Ordering Information

**Ordering Individually** ..... Selectors, Lamps, and Switches (Sockets) can be ordered separately. Combinations that are not available as sets can be created using individual Units. Also, store the parts as spares for maintenance and repairs.



## Ordering Information

**Ordering Individually** ..... Selectors, Lamps, and Switches (Sockets) can be ordered separately. Combinations that are not available as sets can be created using individual Units. Also, store the parts as spares for maintenance and repairs.

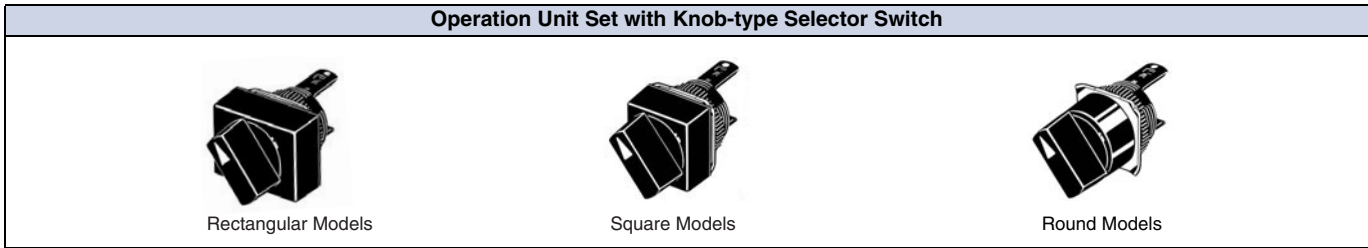
### Selectors (Oil-resistant IP65 Models Only)

| Appearance  | Number of notches | Reset method  | Lighting method | Model      | Selector color symbol   |
|---|-------------------|---|-----------------|------------|---|
| Rectangular<br>(A165□-J)<br><br> | 2 notches         | Manual  | LED             | A165W-J2M□ | Enter the desired color symbol for the Selector in □.<br>R (red),<br>Y (yellow),<br>G (green) |
|   |                   |   | Non-lighted     | A165S-J2M  |   |
|   |                   | Automatic          | LED             | A165W-J2A□ |   |
|   | 3 notches         | Manual  | Non-lighted     | A165S-J2A  |   |
|   |                   |   | LED             | A165W-J3M□ |   |
|   |                   | Fully automatic    | LED             | A165W-J3A□ |   |
| Square<br>(A165□-A)<br><br>      | 2 notches         | Manual  | LED             | A165W-A2M□ | Enter the desired color symbol for the Selector in □.<br>R (red),<br>Y (yellow),<br>G (green) |
|   |                   |   | Non-lighted     | A165S-A2M  |   |
|   |                   | Automatic          | LED             | A165W-A2A□ |   |
|   | 3 notches         | Manual  | Non-lighted     | A165S-A2A  |   |
|   |                   |   | LED             | A165W-A3M□ |   |
|   |                   | Fully automatic    | LED             | A165W-A3A□ |   |
| Round<br>(A165□-T)<br><br>      | 2 notches         | Manual  | LED             | A165W-T2M□ | Enter the desired color symbol for the Selector in □.<br>R (red),<br>Y (yellow),<br>G (green) |
|   |                   |   | Non-lighted     | A165S-T2M  |   |
|   |                   | Automatic          | LED             | A165W-T2A□ |   |
|   | 3 notches         | Manual  | Non-lighted     | A165S-T2A  |   |
|   |                   |   | LED             | A165W-T3M□ |   |
|   |                   | Fully automatic  | LED             | A165W-T3A□ |   |
|   |                   | Non-lighted   | A165S-T3A       |            |   |

Note: The selector for non-lighted models is black.

## Ordering Information

**Sets** ..... Select an Operation Unit and a Socket Unit Set (Lamp and Socket Unit).



↓

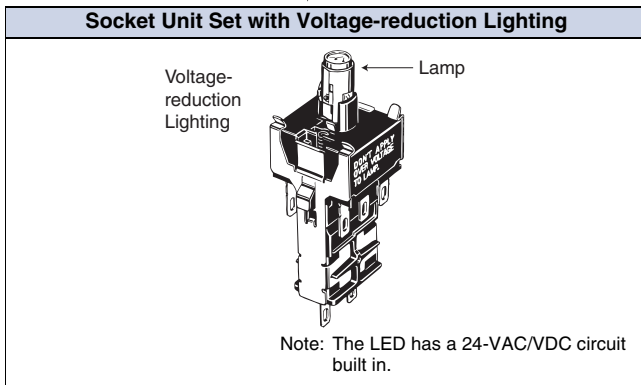
**Lighted Models**

↓

↓

**Lighted/Non-lighted Models**

↓



**Socket Unit Set (Sets include a Socket Unit and a Lamp.)**

| Appearance  | Number of notches | Classification |      | Model          |
|---|-------------------|----------------|------|----------------|
|  | 2 notches         | SPDT           | 24 V | A16W-2N□-24D-1 |
|   |                   | DPDT           |      | A16W-2N□-24D-2 |
|   | 3 notches         | DPDT           |      | A16W-3N□-24D-2 |

**Socket Unit Set with Voltage Reduction Unit (Solder Terminal)**

| Appearance  | Classification                |           | Operating voltage | Model         |
|---|-------------------------------|-----------|-------------------|---------------|
|  | Standard loads and microloads | 2 notches | SPDT              | A16L-□-T1-1   |
|   |                               | 2 notches | DPDT              | A16L-□-T1-2   |
|   |                               | 3 notches |                   | A16W-3N□-T1-2 |

Note: The LED has a 24-VAC/VDC circuit built in.

**Insert one of the following letters into the box (□).**

| Symbol | Light color |
|--------|-------------|
| R      | Red         |
| Y      | Yellow      |
| G      | Green       |

## Ordering Information

### Screw-less Clamp Connector Socket Unit Set

| Appearance  | Classification                |                            |                               | Model                         | Remarks                |   |
|---|-------------------------------|----------------------------|-------------------------------|-------------------------------|------------------------|---|
|  | Standard loads and microloads | 2 notches DPDT             | Non-lighted                   |                               | <b>A16-2S</b>          | Used for Pushbutton Switches and Knob-type Selector Switches. |
|   |                               |                            | Lighted                       | No voltage-reduction lighting |                        |   |
|   |                               | Voltage-reduction lighting |                               | 100/110 VAC/VDC               | <b>A16L-Δ-T1-2S</b>    |   |
|   |                               |                            | 200/220 VAC/VDC               | <b>A16L-Δ-T2-2S</b>           |                        |   |
|   | 3 notches DPDT                | Non-lighted                | No voltage-reduction lighting |                               | <b>A16S-3N-2LS</b>     |   |
|   |                               |                            | Lighted                       | No voltage-reduction lighting |                        |   |
|   |                               | Voltage-reduction lighting |                               | 100/110 VAC/VDC               | <b>A16W-3N-Δ-T1-2S</b> |   |
|   |                               |                            | 200/220 VAC/VDC               | <b>A16W-3N-Δ-T2-2S</b>        |                        |   |

Note: The 100-V models and 200-V models have a 24-VAC/VDC circuit built in.

Insert symbols in Δ and □.

Δ

| Symbol | Light color |
|--------|-------------|
| R      | Red         |
| Y      | Yellow      |
| G      | Green       |

□

| Symbol | Type | Operating voltage |
|--------|------|-------------------|
| 5D     | LED  | 5 VDC             |
| 12D    |      | 12 VAC/VDC        |
| 24D    |      | 24 VAC/VDC        |

### Ordering Individually Switches

| Appearance  | Classification |   |           | Model |                 |                   |                    |
|---|----------------|---|-----------|-------|-----------------|-------------------|--------------------|
|  | Lighted        | Socket (without voltage-reduction lighting) | 2 notches | SPDT  | Solder terminal | <b>A16S-2N-1L</b> |                    |
|   |                |   | 3 notches | DPDT  |                 | <b>A16S-2N-2L</b> |                    |
|   | Non-lighted    |   | 2 notches | SPDT  |                 | <b>A16S-2N-1</b>  |                    |
|   |                |   | 3 notches | DPDT  |                 | <b>A16S-2N-2</b>  |                    |
|  | Lighted        | Socket (with voltage-reduction lighting)    | 2 notches | SPDT  |                 | PCB terminal      | <b>A16S-2N-1LP</b> |
|   |                |   | 3 notches | DPDT  |                 |                   | <b>A16S-2N-2LP</b> |
|   | Non-lighted    |   | 2 notches | SPDT  |                 |                   | <b>A16S-2N-1P</b>  |
|   |                |   | 3 notches | DPDT  |                 |                   | <b>A16S-2N-2P</b>  |

### Lamps

| Operating voltage | Super-bright  |                  |                  |
|-------------------|--|------------------|------------------|
|                   | 5 VDC  | 12 VAC/VDC       | 24 VAC/VDC       |
| Light color       |  |                  |                  |
| Red               | <b>A16-5DSR</b>  | <b>A16-12DSR</b> | <b>A16-24DSR</b> |
| Yellow            | <b>A16-5DSY</b>  | <b>A16-12DSY</b> | <b>A16-24DSY</b> |
| Green             | <b>A16-5DSG</b>  | <b>A16-12DSG</b> | <b>A16-24DSG</b> |

### Accessories and Tools (Order Separately)

#### Accessories

| Name        | Appearance  | Classification | Model             | Remarks   |
|-------------|---|----------------|-------------------|---|
| Panel Plugs |  | Rectangular    | <b>A16ZJ-3003</b> | Used for covering the panel cut-outs for future panel expansion. Degree of protection: IP40 |
|             |   | Square         | <b>A16ZA-3003</b> |   |
|             |   | Round          | <b>A16ZT-3003</b> |   |

#### Tools

| Name          | Appearance  | Model            | Applicable types  |                           |                          |                       |           | Remarks  |
|---------------|---|------------------|-------------------|---------------------------|--------------------------|-----------------------|-----------|--|
|               |   |                  | Pushbutton Switch | Knob-type Selector Switch | Key-type Selector Switch | Emergency Stop Switch | Indicator |  |
| Screw Fitting |  | <b>A16Z-3004</b> | Yes               | Yes                       | Yes                      | Yes                   | Yes       | Convenient for ganged installation. Tighten to a torque of 0.39 N·m min. |
| Extractor     |  | <b>A16Z-5080</b> | Yes               | Yes                       | Yes                      | Yes                   | Yes       | Convenient for extracting the Switches and Lamps.                        |

Ordering as a Set: Refer to page 3.

- Specifications and dimensions: Refer to pages 8 to 10.
- Accessories, replacements, and tools: Refer to this page

## Specifications

### Approved Standard Ratings

#### UL, cUL (File No. E41515)

5 A at 125 VAC, 3 A at 250 VAC (general use)  
3 A at 30 VDC (resistive)

Note: Certification has been obtained for the Socket Unit.  
For detailed information on individual products that have received certification, consult your supplier.

#### TÜV (EN60947-5-1) (Low Voltage Directive)

3 A at 250 VAC  
3 A at 30 VDC

#### CCC (GB14048.5)

5 A at 125 VAC  
3 A at 250 VAC  
3 A at 30 VDC

### Ratings

#### Switch Ratings

| Rated voltage | Resistive load |
|---------------|----------------|
| 125 VAC       | 5 A            |
| 250 VAC       | 3 A            |
| 30 VDC        | 3 A            |

Minimum applicable load: 1 mA at 5 VDC

Rated values are obtained from tests conducted under the following conditions.

1. Load: Resistive load
2. Mounting conditions: No vibration and no shock
3. Temperature: 20±2°C
4. Operating frequency: 20 times/min

### Characteristics

#### Socket Unit

| Item                            | Type                                    | Knob-type Selector Switch                                      |
|---------------------------------|---|--|
| Allowable operating frequency   | Mechanical                              | 20 operations/minute max.                                      |
|                                 | Electrical                              | 10 operations/minute max.                                      |
| Insulation resistance           |   | 100 MΩ min. (at 500V DC)                                       |
| Contact resistance              |   | 100 mΩ max. (initial value)                                    |
| Dielectric strength             | Between terminals of same polarity      | 1,000 VAC, 50/60 Hz for 1 min                                  |
|                                 | Between terminals of different polarity | 2,000 VAC, 50/60 Hz for 1 min                                  |
|                                 | Between each terminal and ground        | 2,000 VAC, 50/60 Hz for 1 min                                  |
|                                 | Between lamp terminals                  | 1,000 VAC, 50/60 Hz for 1 min*                                 |
| Vibration resistance            | Malfunction                             | 10 to 55 Hz, 1.5-mm double amplitude (malfunction within 1 ms) |
| Shock resistance                | Destruction                             | 500 m/s <sup>2</sup> max.                                      |
|                                 | Malfunction                             | 150 m/s <sup>2</sup> max. (malfunction within 1 ms)            |
| Durability                      | Mechanical                              | 250,000 operations min.  |
|                                 | Electrical                              | 100,000 operations min.  |
| Electric shock protection class |   | Class II   |
| PTI (tracking characteristic)   |   | 175  |
| Degree of contamination         |   | 3 (IEC60947-5-1)   |
| Weight                          |   | Approx. 13 g (in the case of a lighted DPDT switch)            |
| Ambient operating temperature   |   | -10°C to 55°C (with no icing or condensation)                  |
| Ambient operating humidity      |   | 35% to 85%RH   |
| Ambient storage temperature     |   | -25°C to 65°C (with no icing or condensation)                  |

\* With LED not mounted.  
(Perform testing with the LED not mounted.)

#### Contact Form

| Name | Contact form  |
|------|---|
| SPDT |  |

#### Super-bright LED

| Rated voltage | Rated current | Operating voltage | Internal limiting resistor         |
|---------------|---------------|-------------------|------------------------------------|
| 5 VDC         | 8 mA          | 5 VDC±5%          | Red, yellow: 300 Ω<br>Green: 160 Ω |
| 12 VAC/VDC    |               | 12 VAC/VDC±5%     | Red, yellow: 1 kΩ<br>Green: 910 Ω  |
| 24 VAC/VDC    |               | 24 VAC/VDC±5%     | 2.4 kΩ                             |

#### Screw-less Clamp

| Item                              | Type             | Screw-less Clamp   |                     |                      |                      |
|-----------------------------------|------------------|--|---------------------|----------------------|----------------------|
| Recommended wire size             |                  | 0.5 mm <sup>2</sup> twisted wire or 0.8 mm-dia. solid wire |                     |                      |                      |
| Usable wires and tensile strength | Twisted wire     | 0.3 mm <sup>2</sup>  | 0.5 mm <sup>2</sup> | 0.75 mm <sup>2</sup> | 1.25 mm <sup>2</sup> |
|                                   | Solid wire       | 0.5 mm dia.  | 0.8 mm dia.         | 1.0 mm dia.          | ---                  |
|                                   | Tensile strength | 10 N   | 20 N                | 30 N                 | 40 N                 |
| Length of exposed wire            |                  | 10 ±1 mm   |                     |                      |                      |
| Compliant standards               |                  | JIS C 2811 Terminal Blocks for Industrial Use              |                     |                      |                      |

#### Operating Characteristics

| Characteristics           | Type | Knob-type Selector Switch |   |
|---------------------------|------|---------------------------|---|
|                           |      | 2 notches                 | 3 notches                                   |
| Operating force (OF) max. |      | 0.1 N·m                   |   |
| Set position (SP)         |      | 90±5°                     | 45 <sup>°</sup> <sub>0</sub> <sup>+10</sup> |



## Specifications

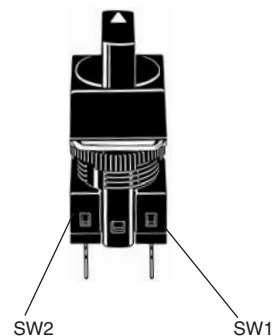
### Operation Angle



Note: The angle used for automatic reset is shown in parentheses.  
FP: Free Position

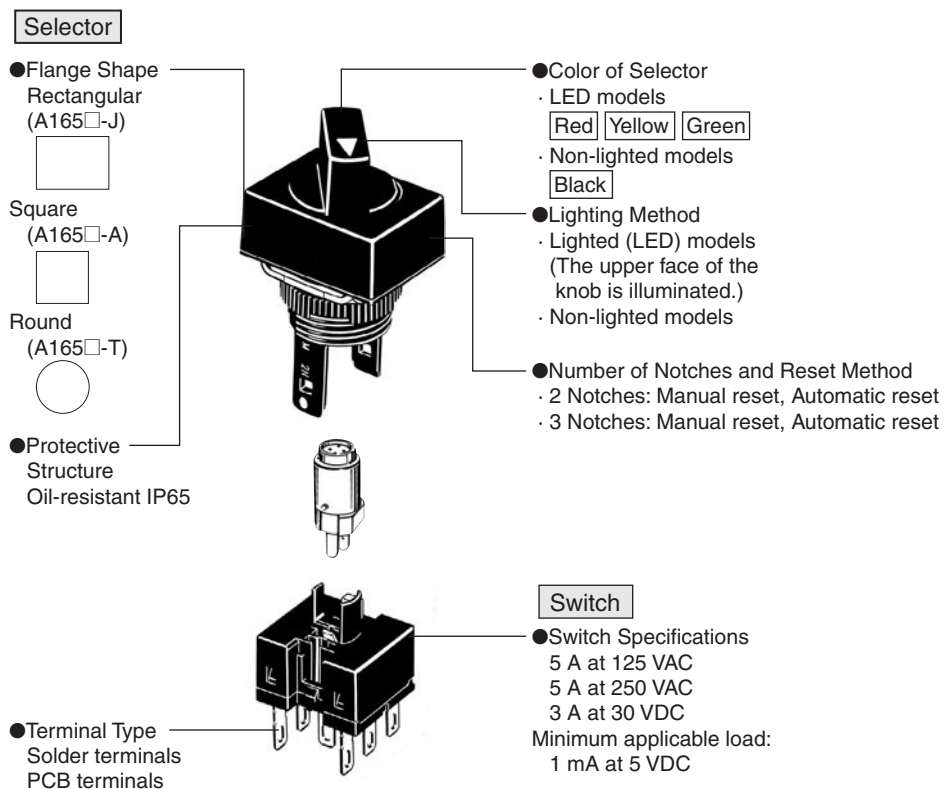
### Contact Form

| No. of notches | Contact form |    |          |     |     |
|----------------|--------------|----|----------|-----|-----|
|                | SPDT         |    | DPDT     |     |     |
|                | Position     | SW | Position | SW2 | SW1 |
| 2 notches      |              |    |          |     |     |
|                |              |    |          |     |     |
| 3 notches      | ---          |    |          |     |     |
|                | ---          |    |          |     |     |
|                | ---          |    |          |     |     |



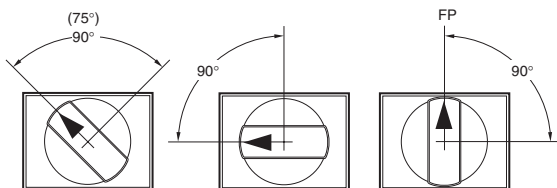
## Nomenclature

### Model structure



**The flange can be rotated to easily change the operation angle of the knob.**

For information on rotating the flange, refer to page 14.  
Example: Knob-type Selector Switch with Two Notches



(Standard condition when shipped)  
Note: The angle is 75° for self-resetting models.

## Dimensions

- The Dimension shows 2-switch outputs.
- The lamp terminal is not provided with non-lighted models.

(Unit: mm)

### Rectangular A165□-J Solder terminals (tab terminals #110)



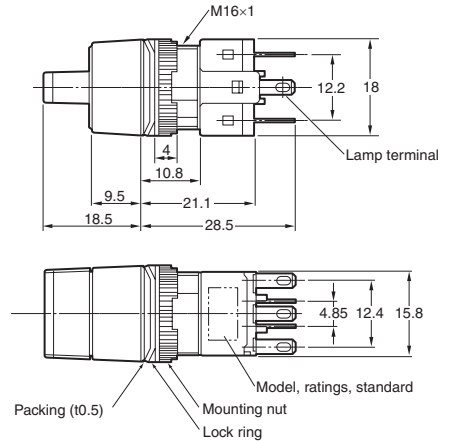
Note: See page 12 for panel cutouts.



### Square A165□-A Solder terminals (tab terminals #110)



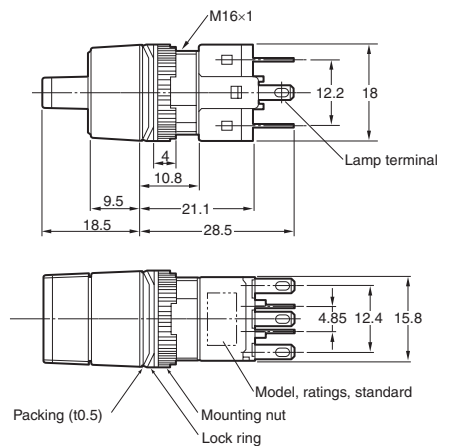
Note: See page 12 for panel cutouts.



### Round A165□-T Solder terminals (tab terminals #110)



Note: See page 12 for panel cutouts.

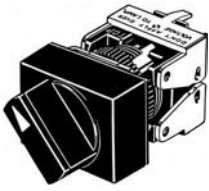


## Dimensions

- The Dimension shows 2-switch outputs.
- A rectangular model is listed as an example.

(Unit: mm)

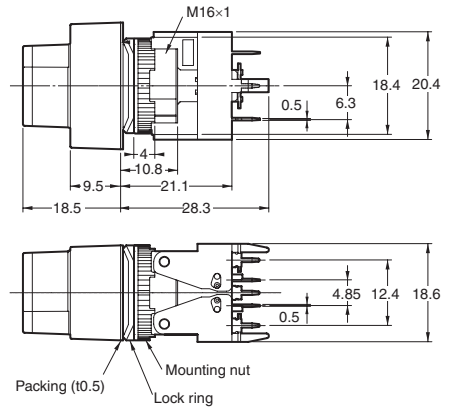
### Rectangular A165□-J PCB terminals



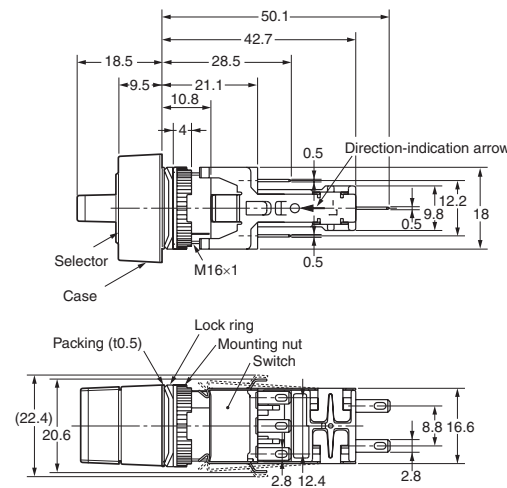
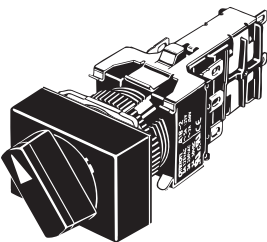
- The lamp terminal is not also provided with non-lighted models.



Note: See page 12 for panel cutouts.



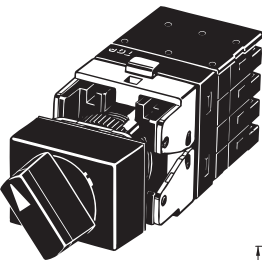
### Rectangular A165W□-T Reduced-voltage lighting solder terminals (tab terminals #110)



#### Panel Cutouts



### Rectangular A165□-2S Screw-Less Clamp



- The lamp terminal is also provided with non-lighted models.



#### Panel Cutouts



## Dimensions

### Panel Cutouts

#### Models with Solder Terminals and Models with Screw-less Clamp Connectors

| Rectangular A165□-J   | Square A165□-A, Round A165□-T   |
|---|---|
| <p>(Top View)</p>  | <p>(Top View)</p>  |

- Note: 1. Make sure the thickness of the mounting panel is 0.5 to 3.2 mm.  
 2. If the panel is to be finished with coating, etc., make sure that the panel meets the specified dimensions after coating.  
 3. Figures in parentheses are for screw-less clamp connectors.

#### Models with PCB Terminals

| Rectangular A165□-J   | Square A165□-A, Round A165□-T  |
|---|--|
| <p>(Top View)</p>  | <p>(Top View)</p>  |

- Note: 1. Ensure that the variation in the distance between the centers of neighboring mounting holes is less than  $\pm 0.1$  mm.  
 2. Make sure the thickness of the mounting panel is 0.5 to 3.2 mm. If, however, a Switch Guard or Dust Cover is used, the thickness of the mounting panel must be 0.5 to 2 mm.  
 3. If the panel is to be finished with coating, etc., make sure that the panel meets the specified dimensions after coating.

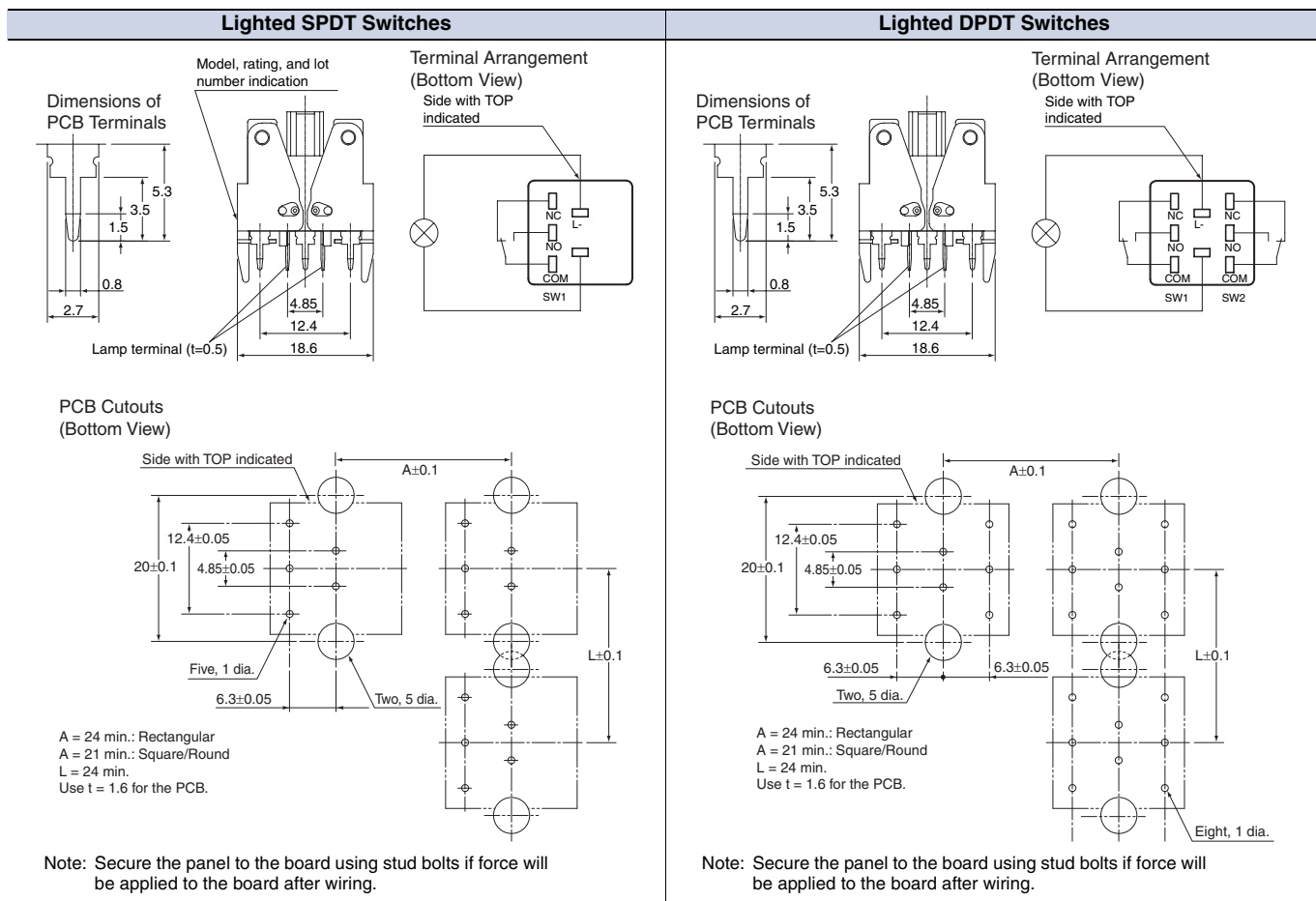
## Terminal Arrangement

### Models with Solder Terminals without Reduced-voltage Lighting (Lamp terminals are not provided with the Non-lighted Knob-type Selector Switches and Key-type Selector Switches.)

| Lighted SPDT Switches   | Lighted DPDT Switches  |
|---|--|
| <p>Dimensions of Terminal Holes</p>  <p>Terminal Arrangement (Bottom View)</p>  <p>Note: The L+ is not shown on the Switch.</p> | <p>Dimensions of Terminal Holes</p>  <p>Terminal Arrangement (Bottom View)</p>  <p>Note: The L+ is not shown on the Switch.</p> |
| Non-lighted SPDT Switches   | Non-lighted DPDT Switches  |
| <p>Dimensions of Terminal Holes</p>  <p>Terminal Arrangement (Bottom View)</p>  <p>Side with TOP indicated</p>                  | <p>Dimensions of Terminal Holes</p>  <p>Terminal Arrangement (Bottom View)</p>  <p>Side with TOP indicated</p>                  |

## Dimensions

### Models with PCB Terminals



Note: For details of the terminal arrangement for Screw-Less Clamps, refer to the corresponding section for the A16.

## Dimensions

**Non-lighted Models with PCB Terminals (Lamp terminals are not provided with the Non-lighted Knob-type Selector Switches and Key-type Selector Switches.)**

| Non-lighted SPDT Switches   | Non-lighted DPDT Switches   |
|---|---|
| <p><b>Dimensions of PCB Terminals</b></p>  <p>Model, rating, and lot number indication</p>  <p><b>Terminal Arrangement (Bottom View)</b><br/>Side with TOP indicated</p>  <p><b>PCB Cutouts (Bottom View)</b></p>  <p>Side with TOP indicated</p> <p><math>A \pm 0.1</math></p> <p><math>20 \pm 0.1</math></p> <p><math>12.4 \pm 0.05</math></p> <p>Three, 1 dia.</p> <p><math>6.3 \pm 0.05</math></p> <p>Two, 5 dia.</p> <p><math>L \pm 0.1</math></p> <p>A = 24 min.: Rectangular<br/>A = 21 min.: Square/Round<br/>L = 24 min.<br/>Use t = 1.6 for the PCB.</p> <p>Note: Secure the panel to the board using stud bolts if force will be applied to the board after wiring.</p> | <p><b>Dimensions of PCB Terminals</b></p>  <p><b>Terminal Arrangement (Bottom View)</b><br/>Side with TOP indicated</p>  <p><b>PCB Cutouts (Bottom View)</b></p>  <p>Side with TOP indicated</p> <p><math>A \pm 0.1</math></p> <p><math>20 \pm 0.1</math></p> <p><math>12.4 \pm 0.05</math></p> <p>Two, 5 dia.</p> <p><math>6.3 \pm 0.05</math></p> <p><math>6.3 \pm 0.05</math></p> <p><math>L \pm 0.1</math></p> <p>Six, 1 dia.</p> <p>A = 24 min.: Rectangular<br/>A = 21 min.: Square/Round<br/>L = 24 min.<br/>Use t = 1.6 for the PCB.</p> <p>Note: Secure the panel to the board using stud bolts if force will be applied to the board after wiring.</p> |

**For details on mounting the Switch to a panel, and mounting and dismantling the Switch, refer to installation details for the A16 Pushbutton Switch.**

## Flange Rotation (All Selector Switches)

|  |  |
|--|--|
| <p><b>A165 Knob-type Selector Switch</b><br/>Fix the Switch screw and rotate the flange in 45° turns.</p>  <p>Flange</p> <p>Lock ring</p> <p>Switch screw</p> | <p><b>A165 Key-type Selector Switch</b><br/>Fix the Switch screw and rotate the flange in 45° turns.</p>  <p>Flange</p> <p>Lock ring</p> <p>Switch screw</p> |
|--|--|

## Safety Precautions

Refer to *Safety Precautions for All Pushbutton Switches/Indicators*.

**⚠ WARNING**

Do not apply a voltage between the incandescent lamp and the terminal that is greater than the rated voltage. If the incandescent lamp is broken, the operating part may pop out.



Always turn OFF the power and wait for 10 minutes before replacing the incandescent lamp. If the lamp is replaced immediately after the power is turned OFF, the remaining heat may cause burns.



**Precautions for Correct Use**

### Mounting

- Always make sure that the power is turned OFF before mounting, removing, or wiring the Switch, or performing maintenance.
- Do not tighten the mounting nut more than necessary using tools such as pointed-nose pliers. Doing so will damage the mounting nut.  
The tightening torque is 0.29 to 0.49 N·m.

### Wiring

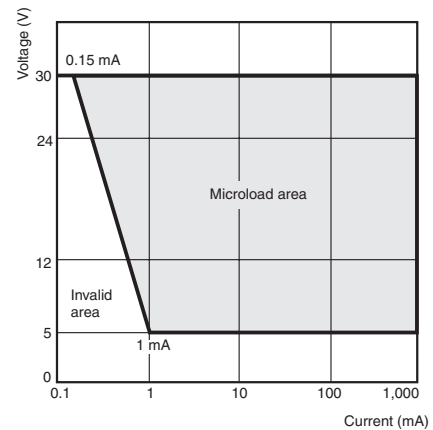
- Solder terminals and quick-connect terminals (#110) are commonly used for terminals.
- Be sure to use electrical wires that are a size appropriate for the applied voltage and carry current (conductor size is 0.5 to 0.75 mm<sup>2</sup>). Perform soldering according to the conditions provided below. If the soldering is not properly performed, the lead wires will become detached, resulting in short-circuits.
  1. Hand soldering: 350°C, within 3 s
  2. Dip soldering: 350°C, within 3 s  
Wait for one minute after soldering before exerting any external force on the solder.
- Use non-corrosive resin fluid as the flux.
- Make sure that the electric cord is wired so that it does not touch the Unit. If the electric cord touches the Unit, then electric wires with a heat resistance of 100°C min. must be used.
- After wiring the Switch, maintain an appropriate clearance and creepage distance.

### Operating Environment

- The IP65 model is designed with a degree of protection so that it will not sustain damage if it is subjected to water from any direction to the front of the panel.

### Using the Microload

- Insert a contact protection circuit, if necessary, to prevent the reduction of life expectancy due to extreme wear on the contacts caused by loads where inrush current occurs when the contact is opened and closed.
- The A16 allows both a standard load (125 V at 5A, 250 V at 3 A) and a microload. If a standard load is applied, however, the microload area cannot be used. If the microload area is used with a standard load, the contact surface will become rough, and the opening and closing of the contact for a microload may become unreliable.
- The minimum applicable load is the N-level reference value. This value indicates the malfunction reference level for the reliability level of 60% ( $\lambda 60$ ) (conforming to JIS C5003).  
The equation,  $\lambda 60 = 0.5 \times 10^{-6}/\text{operations}$  indicates that the estimated malfunction rate is less than 1/2,000,000 operations with a reliability level of 60%.



### LED

- The LED current-limiting resistor is built-in, so external resistance is not required.

| Rated voltage | Internal limiting resistor         |
|---------------|------------------------------------|
| 5 VDC         | Red, yellow: 300 Ω<br>Green: 160 Ω |
| 12 VAC/VDC    | Red, yellow: 1 kΩ<br>Green: 910 Ω  |
| 24 VAC/VDC    | 2.4 kΩ                             |

## Others

- The oil-resistant IP65 uses NBR rubber and is resistant to general cutting oil and cooling oil. Some particular oils cannot be used with the oil-resistant IP65, however, so contact your OMRON representative for details.
- If the panel is to be finished with coating, etc., make sure that the panel meets the specified dimensions after the coating.
- Do not subject the Switch to extreme shock or vibration. Doing so will cause malfunctions and damage to the Switch. Do not let sharp objects come into contact with the Switches that are made of resin. Doing so will damage the Switches, causing scratches on the outside of the operating parts, and malfunction. When handling the Switches, do not throw or drop them.





## Read and Understand This Catalog

Please read and understand this catalog before purchasing the products. Please consult your OMRON representative if you have any questions or comments.

## Warranty and Limitations of Liability

### WARRANTY

OMRON's exclusive warranty is that the products are free from defects in materials and workmanship for a period of one year (or other period if specified) from date of sale by OMRON.

OMRON MAKES NO WARRANTY OR REPRESENTATION, EXPRESS OR IMPLIED, REGARDING NON-INFRINGEMENT, MERCHANTABILITY, OR FITNESS FOR PARTICULAR PURPOSE OF THE PRODUCTS. ANY BUYER OR USER ACKNOWLEDGES THAT THE BUYER OR USER ALONE HAS DETERMINED THAT THE PRODUCTS WILL SUITABLY MEET THE REQUIREMENTS OF THEIR INTENDED USE. OMRON DISCLAIMS ALL OTHER WARRANTIES, EXPRESS OR IMPLIED.

### LIMITATIONS OF LIABILITY

OMRON SHALL NOT BE RESPONSIBLE FOR SPECIAL, INDIRECT, OR CONSEQUENTIAL DAMAGES, LOSS OF PROFITS OR COMMERCIAL LOSS IN ANY WAY CONNECTED WITH THE PRODUCTS, WHETHER SUCH CLAIM IS BASED ON CONTRACT, WARRANTY, NEGLIGENCE, OR STRICT LIABILITY.

In no event shall the responsibility of OMRON for any act exceed the individual price of the product on which liability is asserted.

IN NO EVENT SHALL OMRON BE RESPONSIBLE FOR WARRANTY, REPAIR, OR OTHER CLAIMS REGARDING THE PRODUCTS UNLESS OMRON'S ANALYSIS CONFIRMS THAT THE PRODUCTS WERE PROPERLY HANDLED, STORED, INSTALLED, AND MAINTAINED AND NOT SUBJECT TO CONTAMINATION, ABUSE, MISUSE, OR INAPPROPRIATE MODIFICATION OR REPAIR.

## Application Considerations

### SUITABILITY FOR USE

OMRON shall not be responsible for conformity with any standards, codes, or regulations that apply to the combination of products in the customer's application or use of the products.

At the customer's request, OMRON will provide applicable third party certification documents identifying ratings and limitations of use that apply to the products. This information by itself is not sufficient for a complete determination of the suitability of the products in combination with the end product, machine, system, or other application or use.

The following are some examples of applications for which particular attention must be given. This is not intended to be an exhaustive list of all possible uses of the products, nor is it intended to imply that the uses listed may be suitable for the products:

- Outdoor use, uses involving potential chemical contamination or electrical interference, or conditions or uses not described in this catalog.
- Nuclear energy control systems, combustion systems, railroad systems, aviation systems, medical equipment, amusement machines, vehicles, safety equipment, and installations subject to separate industry or government regulations.
- Systems, machines, and equipment that could present a risk to life or property.

Please know and observe all prohibitions of use applicable to the products.

NEVER USE THE PRODUCTS FOR AN APPLICATION INVOLVING SERIOUS RISK TO LIFE OR PROPERTY WITHOUT ENSURING THAT THE SYSTEM AS A WHOLE HAS BEEN DESIGNED TO ADDRESS THE RISKS, AND THAT THE OMRON PRODUCTS ARE PROPERLY RATED AND INSTALLED FOR THE INTENDED USE WITHIN THE OVERALL EQUIPMENT OR SYSTEM.

### PROGRAMMABLE PRODUCTS

OMRON shall not be responsible for the user's programming of a programmable product, or any consequence thereof.

## Disclaimers

### CHANGE IN SPECIFICATIONS

Product specifications and accessories may be changed at any time based on improvements and other reasons.

It is our practice to change model numbers when published ratings or features are changed, or when significant construction changes are made. However, some specifications of the products may be changed without any notice. When in doubt, special model numbers may be assigned to fix or establish key specifications for your application on your request. Please consult with your OMRON representative at any time to confirm actual specifications of purchased products.

### DIMENSIONS AND WEIGHTS

Dimensions and weights are nominal and are not to be used for manufacturing purposes, even when tolerances are shown.

### PERFORMANCE DATA

Performance data given in this catalog is provided as a guide for the user in determining suitability and does not constitute a warranty. It may represent the result of OMRON's test conditions, and the users must correlate it to actual application requirements. Actual performance is subject to the OMRON Warranty and Limitations of Liability.

### ERRORS AND OMISSIONS

The information in this document has been carefully checked and is believed to be accurate; however, no responsibility is assumed for clerical, typographical, or proofreading errors, or omissions.

2012.9

In the interest of product improvement, specifications are subject to change without notice.

**OMRON Corporation**  
Industrial Automation Company

<http://www.ia.omron.com/>

(c)Copyright OMRON Corporation 2012 All Right Reserved.



Компания «ЭлектроПласт» предлагает заключение долгосрочных отношений при поставках импортных электронных компонентов на взаимовыгодных условиях!

Наши преимущества:

- Оперативные поставки широкого спектра электронных компонентов отечественного и импортного производства напрямую от производителей и с крупнейших мировых складов;
- Поставка более 17-ти миллионов наименований электронных компонентов;
- Поставка сложных, дефицитных, либо снятых с производства позиций;
- Оперативные сроки поставки под заказ (от 5 рабочих дней);
- Экспресс доставка в любую точку России;
- Техническая поддержка проекта, помощь в подборе аналогов, поставка прототипов;
- Система менеджмента качества сертифицирована по Международному стандарту ISO 9001;
- Лицензия ФСБ на осуществление работ с использованием сведений, составляющих государственную тайну;
- Поставка специализированных компонентов (Xilinx, Altera, Analog Devices, Intersil, Interpoint, Microsemi, Aeroflex, Peregrine, Syfer, Eurofarad, Texas Instrument, Miteq, Cobham, E2V, MA-COM, Hittite, Mini-Circuits, General Dynamics и др.);

Помимо этого, одним из направлений компании «ЭлектроПласт» является направление «Источники питания». Мы предлагаем Вам помощь Конструкторского отдела:

- Подбор оптимального решения, техническое обоснование при выборе компонента;
- Подбор аналогов;
- Консультации по применению компонента;
- Поставка образцов и прототипов;
- Техническая поддержка проекта;
- Защита от снятия компонента с производства.



#### Как с нами связаться

**Телефон:** 8 (812) 309 58 32 (многоканальный)

**Факс:** 8 (812) 320-02-42

**Электронная почта:** [org@eplast1.ru](mailto:org@eplast1.ru)

**Адрес:** 198099, г. Санкт-Петербург, ул. Калинина, дом 2, корпус 4, литера А.