



SOT-23



**TS431-Z**

**Pin Definition:**

1. Reference
2. Cathode
3. Anode

**TS431AR-Z**

**Pin Definition:**

1. Cathode
2. Reference
3. Anode

### General Description

TS431 integrated circuits are three-terminal programmable shunt regulator diodes. These monolithic IC voltage references operate as a low temperature coefficient zener which is programmable from  $V_{REF}$  to 36 volts with two external resistors. These devices exhibit a wide operating current range to 250mA with a typical dynamic impedance of 0.2Ω. The characteristics of these references make them excellent replacements for zener diodes in many applications such as digital voltmeters, power supplies, and op amp circuitry. The 2.495V reference makes it convenient to obtain a stable reference from 5.0V logic supplies, and since The TS431 operates as a shunt regulator, it can be used as either a positive or negative stage reference.

### Features

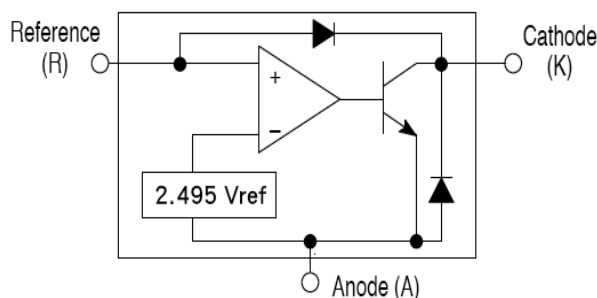
- Programmable Output Voltage up to 36V
- TS431A –  $V_{REF}$  2.495V ±1% tolerance
- TS431B –  $V_{REF}$  2.495V ±0.5% tolerance
- Fast Turn-On Response
- Sink Current Capability: 200mA
- Low Dynamic Output Impedance: 0.2Ω (Typ)
- Min. Operating Cathode Current: 0.2mA (Typ)
- Halogen Free

### Ordering Information

Part No.	Package	Packing
TS431ACX-Z RFG	SOT-23	3kpcs / 7" Reel
TS431ARCX-Z RFG	SOT-23	3kpcs / 7" Reel
TS431BCX-Z RFG	SOT-23	3kpcs / 7" Reel

Note: "G" denotes for Halogen- and Antimony-free as those which contain <900ppm bromine, <900ppm chlorine (<1500ppm total Br + Cl) and <1000ppm antimony compounds

### Block Diagram



### Absolute Maximum Ratings ( $T_A = 25^\circ\text{C}$ unless otherwise noted)

Parameter	Symbol	Limit	Unit
Cathode Voltage	$V_{KA}$	36	V
Continuous Cathode Current Range	$I_K$	+250	mA
Reference Input Current Range	$I_{REF}$	10	mA
Power Dissipation	$P_D$	0.25	W
Operating Temperature Range	$T_{OPER}$	-20 ~ +85	$^\circ\text{C}$
Junction Temperature	$T_J$	-40 ~ +125	$^\circ\text{C}$
Storage Temperature Range	$T_{STG}$	-40 ~ +125	$^\circ\text{C}$
Thermal Resistance Junction to Ambient	$R_{\theta JA}$	156	$^\circ\text{C/W}$

Note:  $R_{\theta JA}$  is measured with the PCB copper area of approximately 1 in<sup>2</sup> (Multi-Layer)

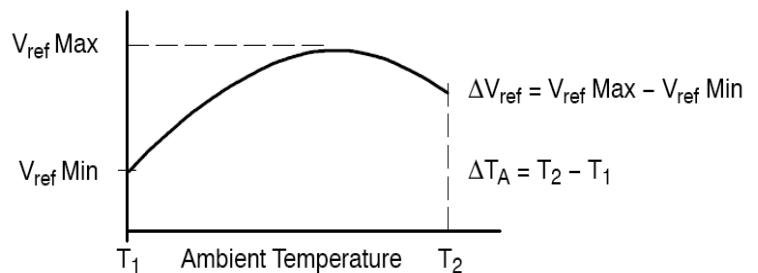
### Electrical Characteristics (T<sub>A</sub>=25°C, unless otherwise specified)

Parameter	Symbol	Test Conditions	Min	Typ	Max	Unit
Reference voltage	TS431A	V <sub>KA</sub> = V <sub>REF</sub> , I <sub>K</sub> = 10mA (Figure 1)	2.470	2.495	2.520	V
	TS431B		2.483		2.507	
Deviation of reference input voltage	ΔV <sub>REF</sub>	V <sub>KA</sub> = V <sub>REF</sub> , I <sub>K</sub> = 10mA (Figure 1) T <sub>A</sub> = -20~85°C	--	6	20	mV
Radio of change in Vref to change in cathode Voltage	ΔV <sub>REF</sub> / ΔV <sub>KA</sub>	I <sub>KA</sub> = 10mA, V <sub>KA</sub> = 10V to V <sub>REF</sub>	--	-1.2	-2.0	mV/V
		(Figure 2) V <sub>KA</sub> = 36V to 10V	--	-1.0	-2.0	
Reference Input current	I <sub>REF</sub>	R1=10KΩ, R2=∞, I <sub>KA</sub> = 10mA (Figure 2)	--	1.5	3.5	μA
Deviation of reference input current, over temp.	ΔI <sub>REF</sub>	R1=10KΩ, R2=∞, I <sub>KA</sub> = 10mA T <sub>A</sub> = -20~85°C (Figure 2)	--	0.4	1.2	μA
Off-state Cathode Current	I <sub>KA</sub> (off)	V <sub>REF</sub> = 0V (Figure 3), V <sub>KA</sub> = 36V	--	0.1	1.0	μA
Dynamic Output Impedance	Z <sub>KA</sub>	f < 1KHz, V <sub>KA</sub> = V <sub>REF</sub> (Figure 1)	--	0.2	0.5	Ω
Minimum operating cathode current	I <sub>KA</sub> (min)	V <sub>KA</sub> = V <sub>REF</sub> (Figure 1)	--	0.2	0.5	mA

\* The deviation parameters ΔV<sub>REF</sub> and ΔI<sub>REF</sub> are defined as difference between the maximum value and minimum value obtained over the full operating ambient temperature range that applied.

\* The average temperature coefficient of the reference input voltage, αV<sub>REF</sub> is defined as:

$$\alpha V_{\text{ref}} \left( \frac{\text{ppm}}{^{\circ}\text{C}} \right) = \frac{\left( \frac{\Delta V_{\text{ref}}}{V_{\text{ref}} (T_A = 25^{\circ}\text{C})} \times 10^6 \right)}{\Delta T_A}$$



Where: T<sub>2</sub>-T<sub>1</sub> = full temperature change.

αV<sub>REF</sub> can be positive or negative depending on whether the slope is positive or negative.

Example: Maximum V<sub>REF</sub>=2.496V at 30°C, minimum V<sub>REF</sub>=2.492V at 0°C, V<sub>REF</sub>=2.495V at 25°C, ΔT=70°C

$$\alpha V_{\text{REF}} = [4\text{mV} / 2495\text{mV}] * 10^6 / 70^{\circ}\text{C} \approx 23\text{ppm}/^{\circ}\text{C}$$

Because minimum V<sub>REF</sub> occurs at the lower temperature, the coefficient is positive.

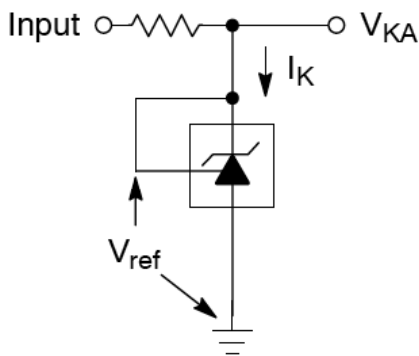
\* The dynamic impedance Z<sub>KA</sub> is defined as:

$$|Z_{\text{KA}}| = \Delta V_{\text{KA}} / \Delta I_{\text{KA}}$$

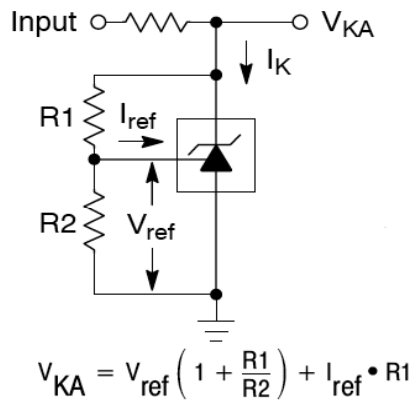
\* When the device operating with two external resistors, R1 and R2, (refer to Figure 2) the total dynamic impedance of the circuit is given by:

$$|Z_{\text{KA}}| = \Delta v / \Delta i \approx Z_{\text{KA}} * (1 + R1 / R2)$$

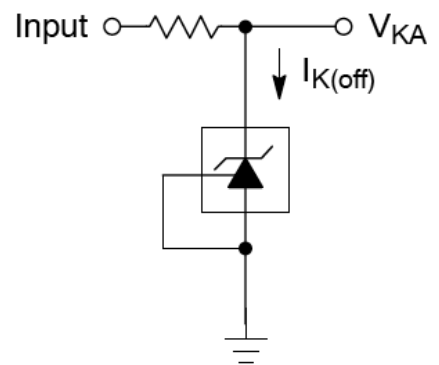
**Test Circuits**



**Figure 1:  $V_{KA} = V_{REF}$**



**Figure 2:  $V_{KA} > V_{REF}$**



**Figure 3: Off-State Current**

**Additional Information – Stability**

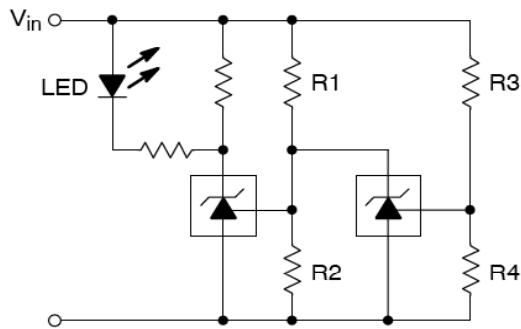
When The TS431A/431B is used as a shunt regulator, there are two options for selection of  $C_L$ , are recommended for optional stability:

- A) No load capacitance across the device, decouple at the load.
- B) Large capacitance across the device, optional decoupling at the load.

The reason for this is that TS431A/431B exhibits instability with capacitances in the range of 10nF to 1uF (approx.) at light cathode current up to 3mA (typ). The device is less stable the lower the cathode voltage has been set for. Therefore while the device will be perfectly stable operating at a cathode current of 10mA (approx.) with a 0.1uF capacitor across it, it will oscillate transiently during start up as the cathode current passes through the instability region. Select a very low capacitance, or alternatively a high capacitance (10uF) will avoid this issue altogether. Since the user will probably wish to have local decoupling at the load anyway, the most cost effective method is to use no capacitance at all directly across the device. PCB trace/via resistance and inductance prevent the local load decoupling from causing the oscillation during the transient start up phase.

Note: if the TS431A/431B is located right at the load, so the load decoupling capacitor is directly across it, then this capacitor will have to be  $\leq 1nF$  or  $\geq 10uF$ .

### Applications Examples (Continue)

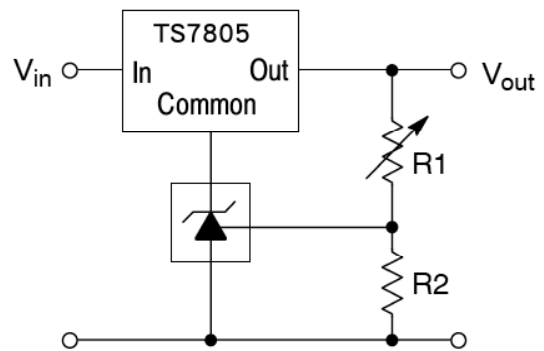


L.E.D. indicator is 'ON' when  $V_{in}$  is between the upper and lower limits,

$$\text{Lower limit} = \left(1 + \frac{R1}{R2}\right) V_{ref}$$

$$\text{Upper limit} = \left(1 + \frac{R3}{R4}\right) V_{ref}$$

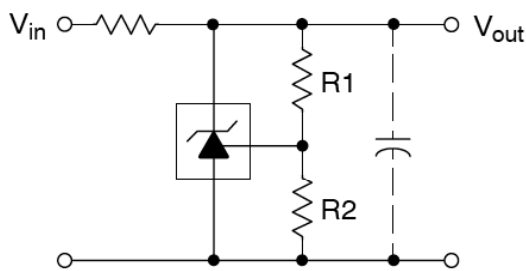
**Figure 4: Voltage Monitor**



$$V_{out} = \left(1 + \frac{R1}{R2}\right) V_{ref}$$

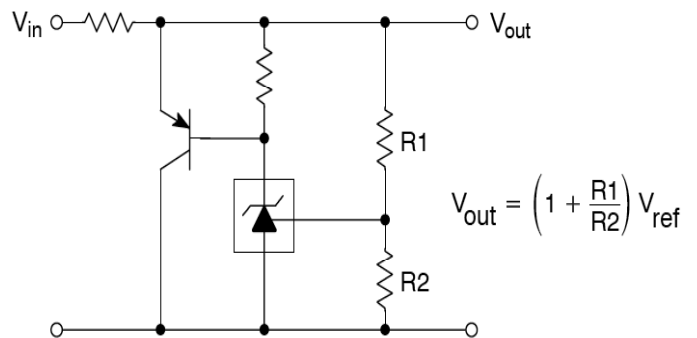
$$V_{out(min)} = V_{ref} + 5.0 V$$

**Figure 5: Output Control for Three Terminal Fixed Regulator**



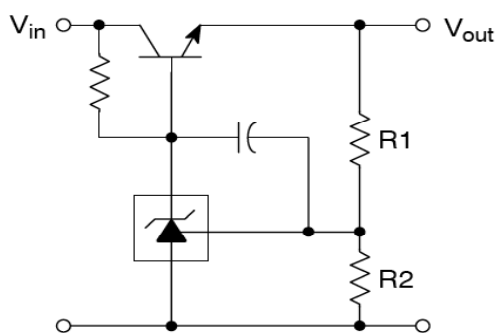
$$V_{out} = \left(1 + \frac{R1}{R2}\right) V_{ref}$$

**Figure 6: Shunt Regulator**



$$V_{out} = \left(1 + \frac{R1}{R2}\right) V_{ref}$$

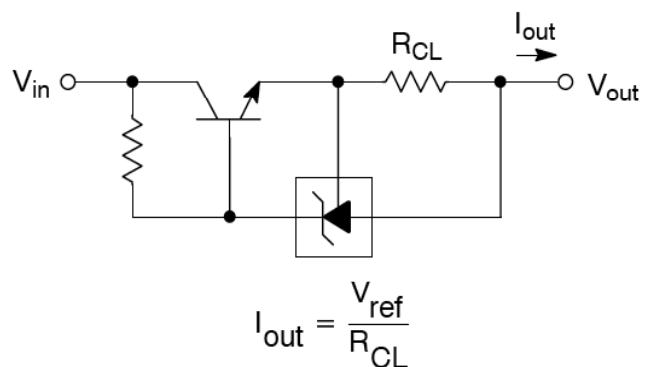
**Figure 7: High Current Shunt Regulator**



$$V_{out} = \left(1 + \frac{R1}{R2}\right) V_{ref}$$

$$V_{out(min)} = V_{ref} + V_{be} \approx 2.0 V$$

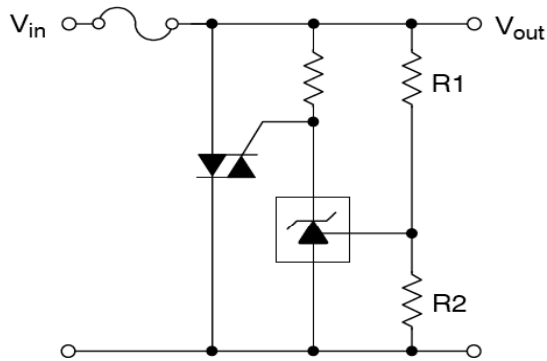
**Figure 8: Series Pass Regulator**



$$I_{out} = \frac{V_{ref}}{R_{CL}}$$

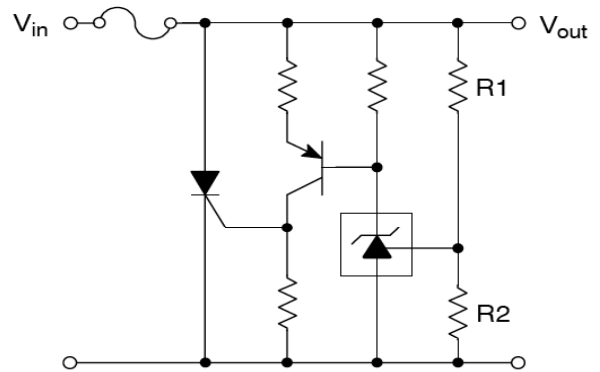
**Figure 9: Constant Current Source**

**Applications Examples (Continue)**



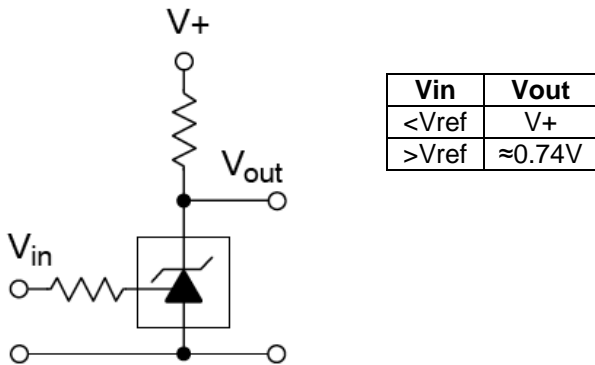
$$V_{out(trip)} = \left(1 + \frac{R1}{R2}\right) V_{ref}$$

**Figure 10: TRIAC Crowbar**

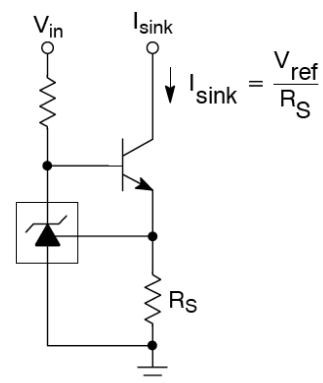


$$V_{out(trip)} = \left(1 + \frac{R1}{R2}\right) V_{ref}$$

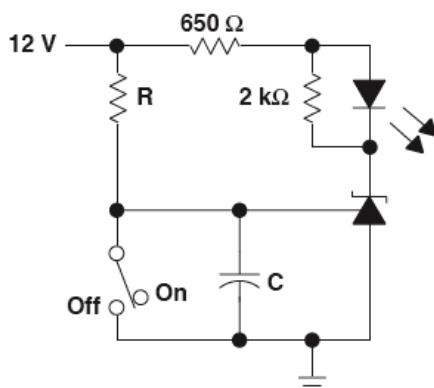
**Figure 11: SCR Crowbar**



**Figure 12: Single-Supply Comparator with Temperature-Compensated Threshold**



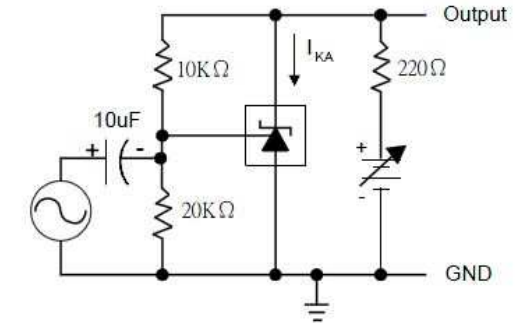
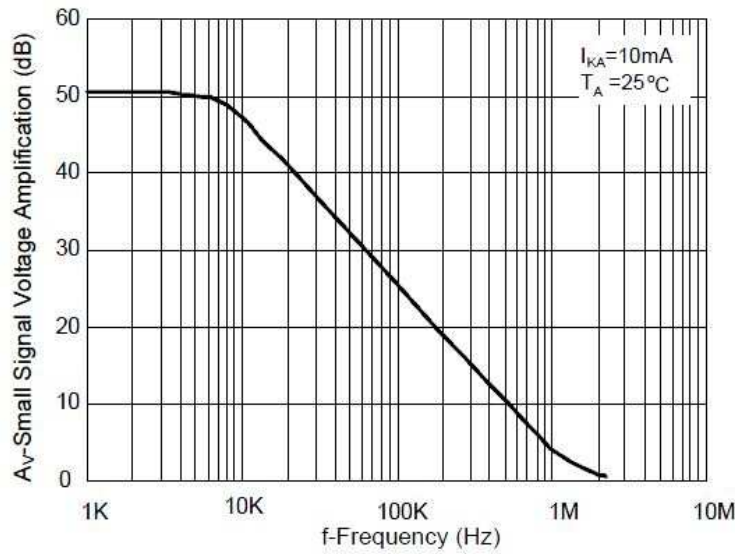
**Figure 13: Constant Current Sink**



$$Delay = R \times C \times I_n \left( \frac{12V}{12V - V_{ref}} \right)$$

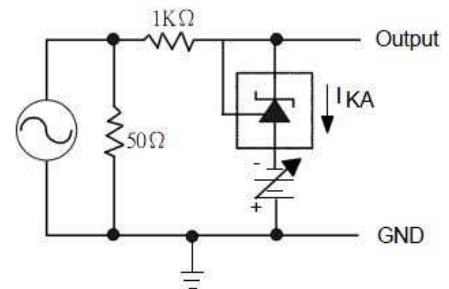
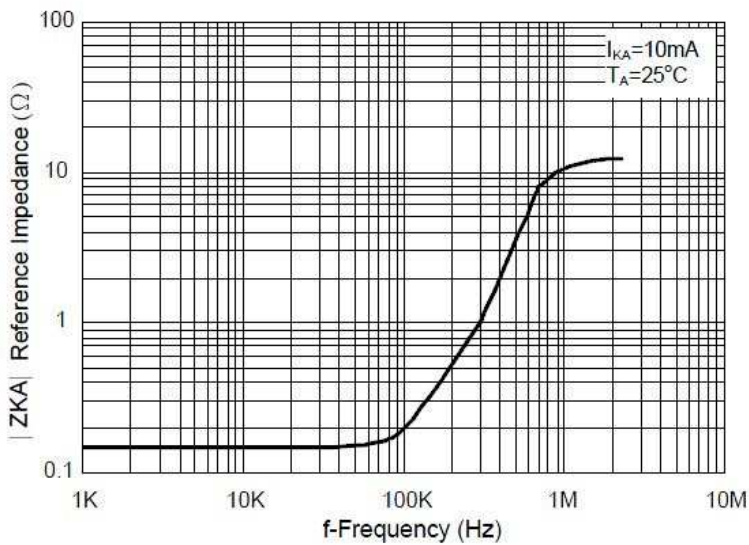
**Figure 14: Delay Timer**

### Typical Performance Characteristics



TEST CIRCUIT FOR VOLTAGE AMPLIFICATION

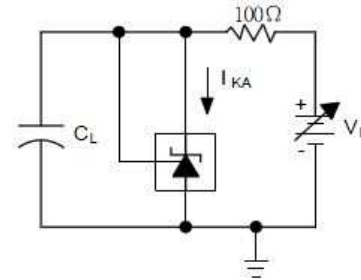
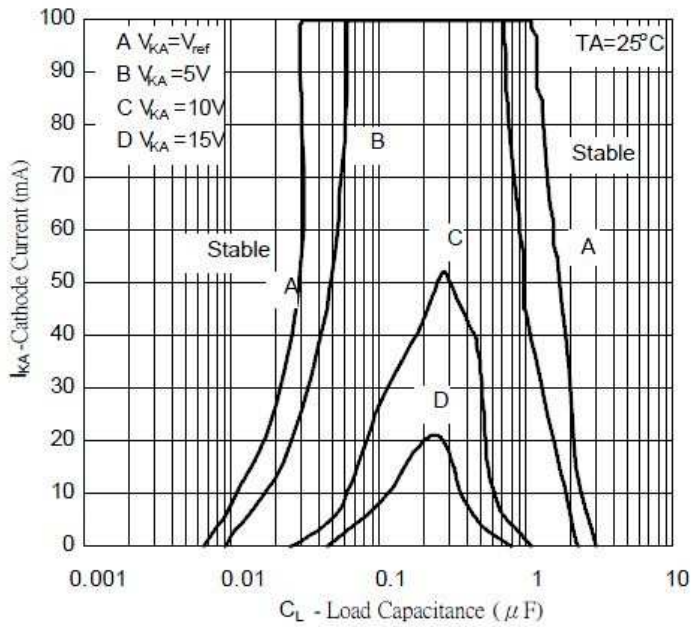
Figure 15: Small-Signal Voltage Gain and Phase Shift vs. Frequency



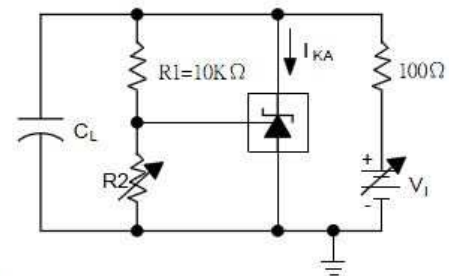
TEST CIRCUIT FOR REFERENCE IMPEDANCE

Figure 16: Reference Impedance vs. Frequency

**Typical Performance Characteristics (Continue)**



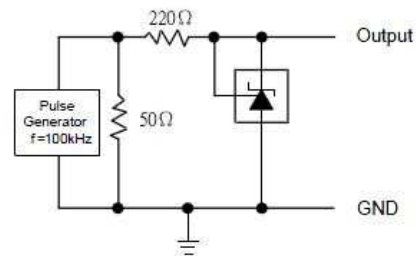
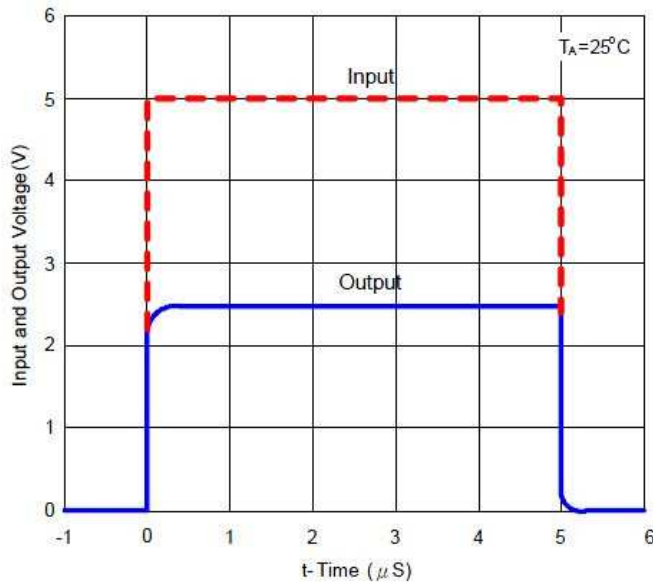
TEST CIRCUIT FOR CURVE A



TEST CIRCUIT FOR CURVE B, C, AND D

The areas under the curves represent conditions that may cause the device to oscillate. For curves B, C, and D, R2 and VI were adjusted to establish the initial V<sub>KA</sub> and I<sub>KA</sub> conditions with C<sub>L</sub>=0. V<sub>BATT</sub> and C<sub>L</sub> were then adjusted to determine the ranges of stability.

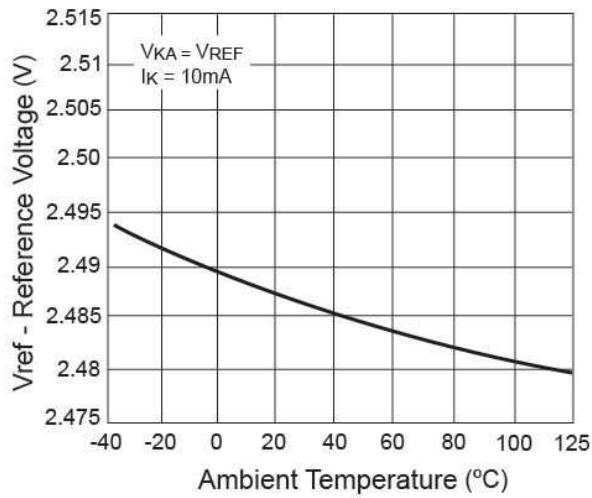
**Figure 17: Stability Boundary Condition**



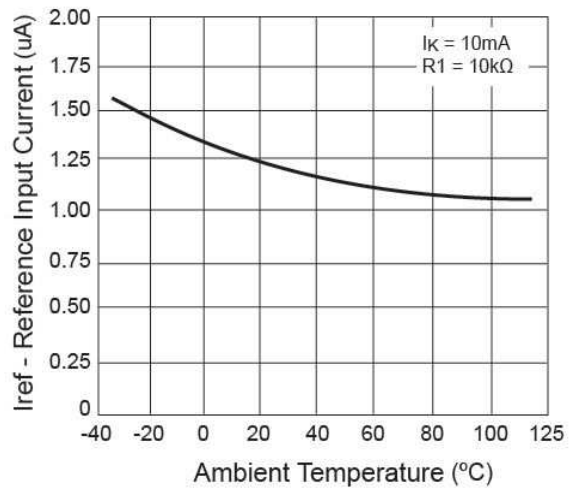
TEST CIRCUIT FOR PULSE RESPONSE

**Figure 18: Pulse Response**

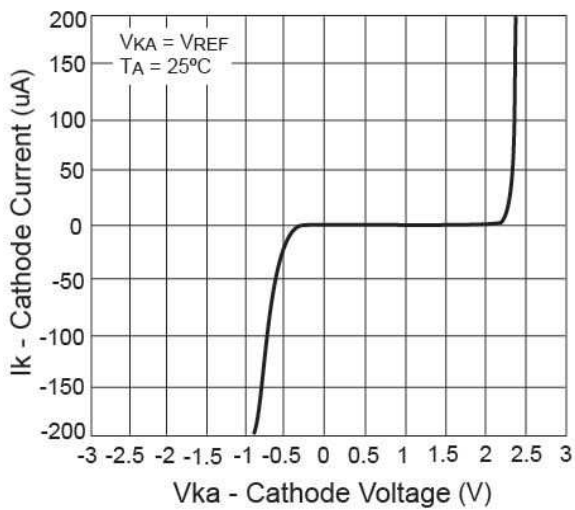
**Electrical Characteristics**



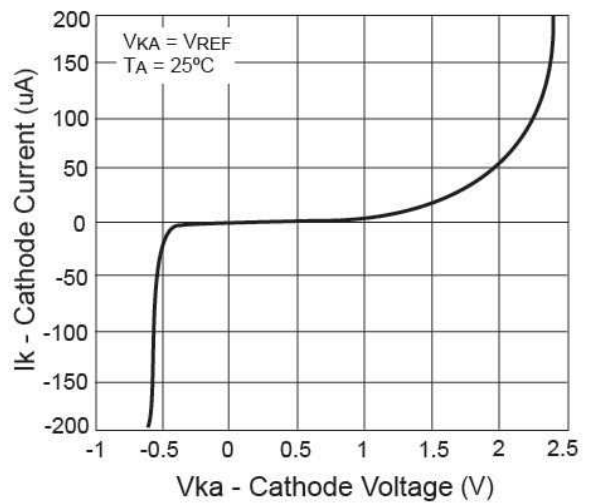
**Figure 19: Reference Voltage vs. Temperature**



**Figure 20: I<sub>REF</sub> vs. Temperature**



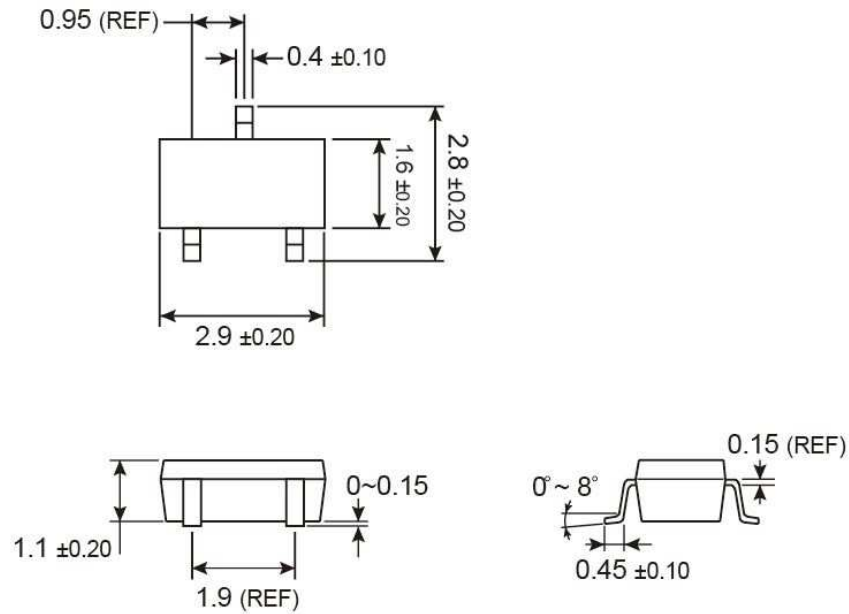
**Figure 21: I<sub>KA</sub> vs. V<sub>KA</sub> (uA)**



**Figure 22: I<sub>KA</sub> vs. V<sub>KA</sub> (mA)**

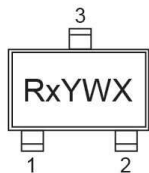


**SOT-23 Mechanical Drawing**



Unit: Millimeters

**Marking Diagram**



- Rx** = Device Code
  - R1 = TS431A ( $\pm 1\%$ )
  - RA = TS431AR ( $\pm 1\%$ )
  - R2 = TS431B ( $\pm 0.5\%$ )
- Y** = Year Code
  - 2 = 2012, 3 = 2012, 4 = 2014 .....
- W** = Week Code
  - 01 ~ 26 (A~Z)
  - 27 ~ 52 (a ~ z)
- X** = Internal ID Code

### Notice

Specifications of the products displayed herein are subject to change without notice. TSC or anyone on its behalf, assumes no responsibility or liability for any errors or inaccuracies.

Information contained herein is intended to provide a product description only. No license, express or implied, to any intellectual property rights is granted by this document. Except as provided in TSC's terms and conditions of sale for such products, TSC assumes no liability whatsoever, and disclaims any express or implied warranty, relating to sale and/or use of TSC products including liability or warranties relating to fitness for a particular purpose, merchantability, or infringement of any patent, copyright, or other intellectual property right.

The products shown herein are not designed for use in medical, life-saving, or life-sustaining applications. Customers using or selling these products for use in such applications do so at their own risk and agree to fully indemnify TSC for any damages resulting from such improper use or sale.



Компания «ЭлектроПласт» предлагает заключение долгосрочных отношений при поставках импортных электронных компонентов на взаимовыгодных условиях!

Наши преимущества:

- Оперативные поставки широкого спектра электронных компонентов отечественного и импортного производства напрямую от производителей и с крупнейших мировых складов;
- Поставка более 17-ти миллионов наименований электронных компонентов;
- Поставка сложных, дефицитных, либо снятых с производства позиций;
- Оперативные сроки поставки под заказ (от 5 рабочих дней);
- Экспресс доставка в любую точку России;
- Техническая поддержка проекта, помощь в подборе аналогов, поставка прототипов;
- Система менеджмента качества сертифицирована по Международному стандарту ISO 9001;
- Лицензия ФСБ на осуществление работ с использованием сведений, составляющих государственную тайну;
- Поставка специализированных компонентов (Xilinx, Altera, Analog Devices, Intersil, Interpoint, Microsemi, Aeroflex, Peregrine, Syfer, Eurofarad, Texas Instrument, Miteq, Cobham, E2V, MA-COM, Hittite, Mini-Circuits, General Dynamics и др.);

Помимо этого, одним из направлений компании «ЭлектроПласт» является направление «Источники питания». Мы предлагаем Вам помощь Конструкторского отдела:

- Подбор оптимального решения, техническое обоснование при выборе компонента;
- Подбор аналогов;
- Консультации по применению компонента;
- Поставка образцов и прототипов;
- Техническая поддержка проекта;
- Защита от снятия компонента с производства.



#### Как с нами связаться

**Телефон:** 8 (812) 309 58 32 (многоканальный)

**Факс:** 8 (812) 320-02-42

**Электронная почта:** [org@eplast1.ru](mailto:org@eplast1.ru)

**Адрес:** 198099, г. Санкт-Петербург, ул. Калинина, дом 2, корпус 4, литера А.