

Model 93 - 3100 series

Definite Purpose Contactor 3-pole, 50-60 FLA AC Coil

UL File E75492
CE File EN60947-4-1:1991
IEC 947-4-1

Users should thoroughly review the technical data before selecting a product part number. It is recommended that users also seek out the pertinent approvals files of the agencies/laboratories and review them to ensure the product meets the requirements for a given application.

Features

- 3-pole contactors.
- Convenient "universal" mounting plate.
- Optional interlock/auxiliary switches available.

Contact Data @ 25°C

Arrangements: 3 Form X (3PST-NO-DM).
Maximum Ratings: See Contact Ratings Table.
Material: Silver Cadmium Oxide.

Coil Data @ 25°C

Voltage: 24 - 480 VAC, 50/60 Hz. See Coil Data Table below.
Insulation Class: UL Class B (130°C).
Duty Cycle: Continuous.

Environmental Data

Temperature Range: Storage and Operating: -40°C – +65°C.
Flammability: UL 94-HB housing.

Mechanical Data

Contact Termination:

Type: Box Lug with dual 0.250" (6.35 mm) quick connects.

Wire Size: 14-2 Cu/Al AWG

Tightening Torque: 50 in.-lbs.

Coil Termination: Dual 0.250" (6.35 mm) quick connects, standard.
A 0.250" quick connect and a #6-32 screw, optional.

Arc Cover: Standard.

Weight: 32 oz. (910 g) approximately

Contact Ratings

| Full Load Amps | Number of Poles | Line Voltage | Locked Rotor Amps | Resistive Amps | Tungsten/Ballast Amps | Maximum Horsepower | | |
|----------------|-----------------|--------------|-------------------|----------------|-----------------------|--------------------|--------------|-------------|
| | | | | | | Voltage | Single Phase | Three Phase |
| 50 | 3 | 240 | 300 | 65 | - | 110/120 | 3 | - |
| | | 480 | 250 | 65 | 53 | 200/208 | 7.5 | 15 |
| | | 600 | 200 | 65 | - | 240/277 | 10 | 15 |
| | | | | | | 480 | - | 25 |
| 60 | 3 | 240 | 360 | 75 | - | 110/120 | 5 | - |
| | | 480 | 300 | 75 | 53 | 200/208 | 7.5 | 25 |
| | | 600 | 240 | 75 | - | 240/277 | 10 | 25 |
| | | | | | | 480 | - | 30 |
| | | | | | | 600 | - | 30 |

Coil Data

| Nominal Coil Voltage | 24 | 120 | 208/240 | 277 | 480 |
|------------------------------|-------|---------|----------|--------|-----------|
| Maximum Pickup Volts | 182 | 93 | 177 | 235 | 374 |
| Drop-Out Volts Range | 6 -15 | 20 - 70 | 40 - 135 | 50-180 | 120 - 286 |
| Nominal Inrush VA @ 50 Hz | 140 | 140 | 140 | 140 | 140 |
| Nominal Inrush VA @ 60 Hz | 132 | 132 | 132 | 132 | 132 |
| Nominal Sealed VA @ 50 Hz | 20 | 20 | 20 | 20 | 20 |
| Nominal Sealed VA @ 60 Hz | 14 | 14 | 14 | 14 | 14 |
| Nominal DC Resistance - Ohms | 2.4 | 45 | 180 | 280 | 852 |

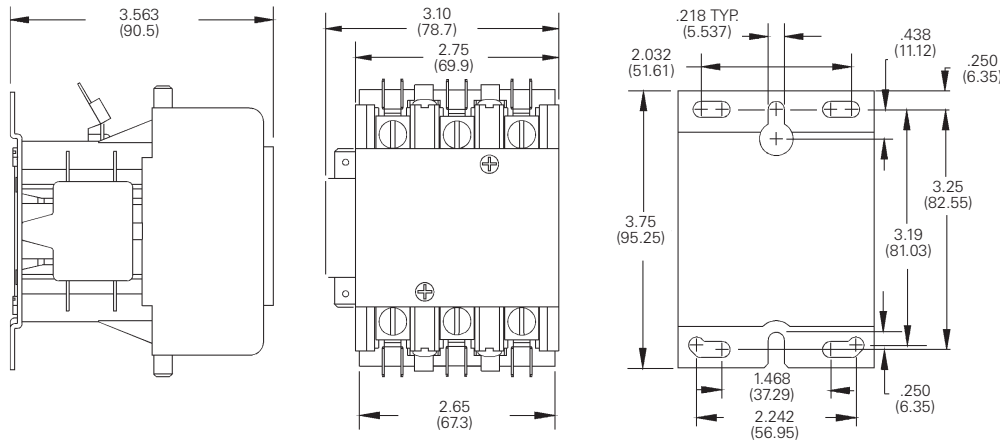
Ordering Information

| | | | | | | | |
|--|-------------|---|-----------|----------|-----------|------------|--|
| Typical Part No. ▶ | 3100 | - | 30 | I | 16 | 999 | |
| 1. Series: 3100 = 3-pole, 50-60 FLA contactor | | | | | | | |
| 2. Packaging: Y = Individual Pack - = Bulk Pack A-ZZZ = Customer specific information (assigned by factory) | | | | | | | |
| 3. Pole Configuration: 30 = 3 Form X (3PST-NO-DM) | | | | | | | |
| 4. Coil Voltage (50/60 Hz.): I = 24VAC, molded K = 208/240VAC, molded J = 120VAC, molded M = 277VAC, molded W = 480VAC, molded | | | | | | | |
| 5. Contact Ratings (Inductive): 16 = 50 FLA 17 = 60 FLA | | | | | | | |
| 6. Customer ID Suffix: 999 = Standard Model 000-998 = Factory assigned customer ID | | | | | | | |
| 7. Option Code: Leave Blank = No customer-specific options A - ZZ = Factory assigned customer-specific options. | | | | | | | |

Standard part numbers listed below are more likely to be available from stock.

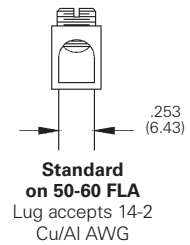
None at present.

Outline Dimensions

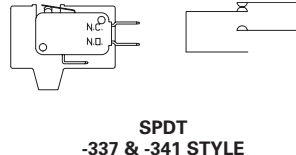
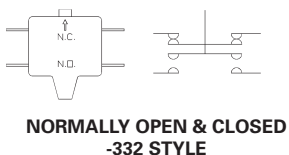
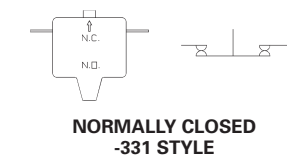
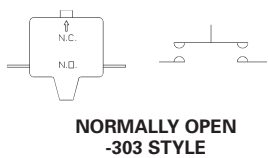


Shown with Optional Auxiliary Switch

Termination



Various interlock / auxiliary switches are available for the Model 93 contactor.



Dimensions are shown for reference purposes only.

Dimensions are in inches over (millimeters) unless otherwise specified.

Equipped with 0.250" (6.35) Quick Connect Terminals

| Description | Factory Modifications | | Field Added Kits | |
|--|-----------------------|----|--------------------|-------------------------|
| | Contact Config. NO | NC | Kit Catalog Number | Number of Kits Required |
| Single unit interlock configurations listed. | 1 | 0 | 34300-303 | 1 |
| | 0 | 1 | 34300-331 | 1 |
| Maximum of two. Must be same polarity. | 1 | 1 | 34300-332 | 1 |
| | 2 | 0 | 34300-303 | 2 |
| See footnote (1) for ratings. | 0 | 2 | 34300-331 | 2 |
| | 2 | 2 | 34300-332 | 2 |
| SPDT Circuit | 1 | 1 | 34300-337 | 1 |
| See footnote (2) for ratings. | 2 | 2 | 34300-337 | 2 |
| SPDT Dry Circuit, 0.1 amp max. | 1 | 1 | 34300-341 | 1 |
| Gold Flashed Contacts | 2 | 2 | 34300-340 | 1 |

Equipped with #6-32 Screw Terminals & Saddle Clamps

| Description | Factory Modifications | | Field Added Kits | |
|---|-----------------------|----|--------------------|-------------------------|
| | Contact Config. NO | NC | Kit Catalog Number | Number of Kits Required |
| Single unit interlock configurations listed. | 1 | 0 | 34300-342 | 1 |
| | 0 | 1 | 34300-343 | 1 |
| Maximum of two. Must be same polarity. (note 1) | 1 | 1 | 34300-344 | 1 |

Footnotes: Ratings of Auxiliary Interlocks / Switches

| | | | | |
|---|------|------|-------|------|
| (1) Contact Rating Single Circuit NO or NC and two circuit NO/NC: | 120V | 240V | 480V | 600V |
| Break | 3.0A | 1.5A | 0.75A | 0.6A |
| Make | 30A | 15A | 7.5A | 6A |
| Continuous | 10A | 10A | 10A | 10A |

(2) Contact Rating SPDT (337):
10A, 1/3 HP, 125 or 250 VAC
1/2A, 125 VDC; 1/4A, 250 VDC:
4A 120 VAC on Lamp Load

Specifications and availability subject to change.

www.tycoelectronics.com
Technical support:
Refer to inside back cover.



Компания «ЭлектроПласт» предлагает заключение долгосрочных отношений при поставках импортных электронных компонентов на взаимовыгодных условиях!

Наши преимущества:

- Оперативные поставки широкого спектра электронных компонентов отечественного и импортного производства напрямую от производителей и с крупнейших мировых складов;
- Поставка более 17-ти миллионов наименований электронных компонентов;
- Поставка сложных, дефицитных, либо снятых с производства позиций;
- Оперативные сроки поставки под заказ (от 5 рабочих дней);
- Экспресс доставка в любую точку России;
- Техническая поддержка проекта, помощь в подборе аналогов, поставка прототипов;
- Система менеджмента качества сертифицирована по Международному стандарту ISO 9001;
- Лицензия ФСБ на осуществление работ с использованием сведений, составляющих государственную тайну;
- Поставка специализированных компонентов (Xilinx, Altera, Analog Devices, Intersil, Interpoint, Microsemi, Aeroflex, Peregrine, Syfer, Eurofarad, Texas Instrument, Miteq, Cobham, E2V, MA-COM, Hittite, Mini-Circuits, General Dynamics и др.);

Помимо этого, одним из направлений компании «ЭлектроПласт» является направление «Источники питания». Мы предлагаем Вам помощь Конструкторского отдела:

- Подбор оптимального решения, техническое обоснование при выборе компонента;
- Подбор аналогов;
- Консультации по применению компонента;
- Поставка образцов и прототипов;
- Техническая поддержка проекта;
- Защита от снятия компонента с производства.



Как с нами связаться

Телефон: 8 (812) 309 58 32 (многоканальный)

Факс: 8 (812) 320-02-42

Электронная почта: org@eplast1.ru

Адрес: 198099, г. Санкт-Петербург, ул. Калинина, дом 2, корпус 4, литера А.