

PLEASE CHECK WWW.MOLEX.COM FOR LATEST PART INFORMATION

Part Number: [0522071160](#)
Status: **Active**
Overview:
Description: 1.00mm (.039") Pitch FFC/FPC Connector, SMT, Right Angle, ZIF, Top Contact Style Receptacle, 11 Circuits, Lead-free, Gold Contact Plating, High Barrier Packaging

Agency Certification

CSA LR19980
 UL E29179

General

Product Family FFC/FPC Connectors
 Series 52207
 Overview ffc_fpc_smt
 Product Name N/A

Physical

Circuits (Loaded) 11
 Color - Resin Natural
 Contact Position Top
 Durability (mating cycles max) 30
 Entry Angle 90° Angle
 Flammability 94V-0
 Mated Height (in) 0.106 In
 Mated Height (mm) 2.70 mm
 Material - Metal Phosphor Bronze
 Material - Plating Mating Gold
 Material - Plating Termination Tin
 Material - Resin Nylon
 Number of Rows 1
 Orientation Right Angle
 PC Tail Length (in) 0.079 In
 PC Tail Length (mm) 2.00 mm
 PCB Locator No
 PCB Retention Yes
 Packaging Type Embossed Tape on Reel
 Pitch - Mating Interface (in) 0.039 In
 Pitch - Mating Interface (mm) 1.00 mm
 Polarized to PCB Yes
 Stackable No
 Temperature Range - Operating -30°C to +85°C
 Termination Interface: Style Surface Mount
 Wire/Cable Type FFC/FPC

Electrical

Current - Maximum per Contact 1A
 Voltage - Maximum 125V

Material Info

Reference - Drawing Numbers

Packaging Specification SPK-52207-002
 Product Specification PS-52207-048, RPS-52207-073, RPS-52207-075, RPS-52207-078, RPS-52207-084, RPS-52207-090, RPS-52207-092, RPS-52207-094, RPS-52207-099, RPS-52207-101, RPS-52207-106
 Sales Drawing SD-52207-064, SD-52207-065

EU RoHS

ELV and RoHS Compliant
REACH SVHC Contains SVHC: No
Halogen-Free Status

China RoHS



Not Halogen-Free

Need more information on product environmental compliance?

Email productcompliance@molex.com
 For a multiple part number RoHS Certificate of Compliance, [click here](#)

Please visit the [Contact Us](#) section for any non-product compliance questions.

Search Parts in this Series
[52207Series](#)

This document was generated on 06/04/2010

PLEASE CHECK WWW.MOLEX.COM FOR LATEST PART INFORMATION

注記 NOTES

△ 接点部までの嵌合長さ。
MATING LENGTH TO CONTACT POINT.

2. 使用材料 MATERIAL
ハウジング : 46ナイロン (耐熱性), UL94V-0
ハウジング : HEAT-RESISTANT NYLON46, UL94V-0
アクチュエータ : PPS, UL94V-0
アクチュエータ : PPS, UL94V-0
ターミナル : リン青銅 (t=0.32)
ターミナル : LIN BRONZE (t=0.32)

メッキ
コンタクト部 : 金メッキ 0.1マイクロメートル以上
テール部 : 錫メッキ 1.0マイクロメートル以上
下地メッキ : ニッケル 1.0マイクロメートル以上

TERMINAL : PHOS-BRO.(I=0.32)
PLATED
CONTACT AREA : GOLD PLATED 0.1MICROMETER MIN.
TAIL AREA : TIN PLATED 1.0MICROMETER MIN.
OVER PLATED : NICKEL PLATED 1.0MICROMETER MIN.

金具
メッキ : 銅合金 (t=0.25)
メッキ : 錫メッキ 1マイクロメートル以上
下地メッキ : ニッケル 1マイクロメートル以上

FITTING NAIL : PHOS-BRO.(I=0.25)
PLATED
OVER PLATED : TIN PLATED 1MICROMETER MIN.
OVER PLATED : NICKEL PLATED 1MICROMETER MIN.

△ パターンはくり止め用金具
FITTING NAIL FOR PREVENTION OF FOOT PRINT PEELING.

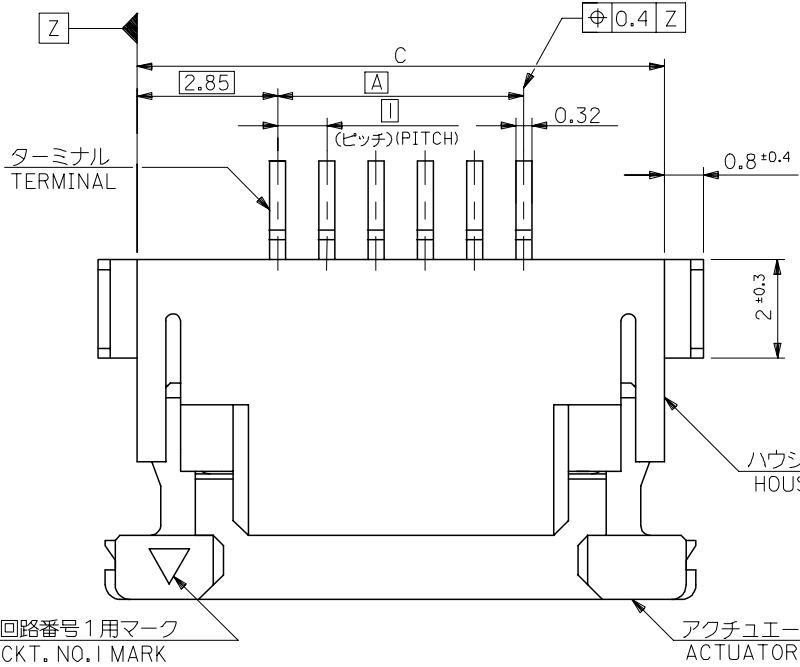
4. エンボステープ梱包時は、アクチュエータが
ロックした状態とする。
ACTUATOR TO BE LOCKED IN EMBOSSED TAPE PACKAGE.

△ FPC挿入深さ
INSERTION DEPTH OF FPC.

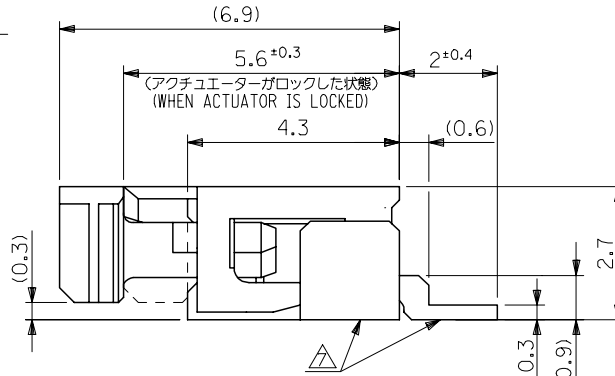
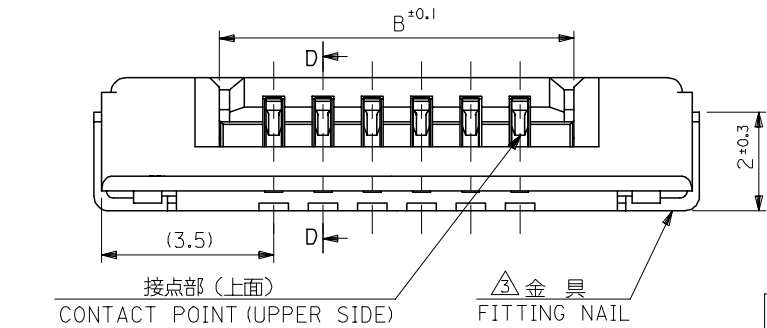
△ パターン書き込み禁止エリア。
NO FOOT PRINT AREA.

△ テール及び金具の平坦度は、0.15以下とする。
COPLANARITY OUT OF SPECIFICATION.
TAIL : 0.15 MAX.
NAIL : 0.15 MAX.

8. 本製品は 52207-xx*19 の鉛フリー品である。
THIS PRODUCT IS GOLD PLATING OF 52207-xx*19.

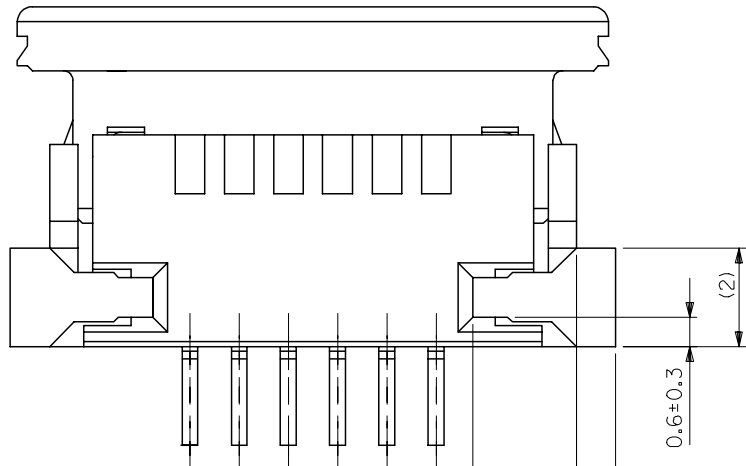


回路番号 1用マーク
CKT. NO. 1 MARK

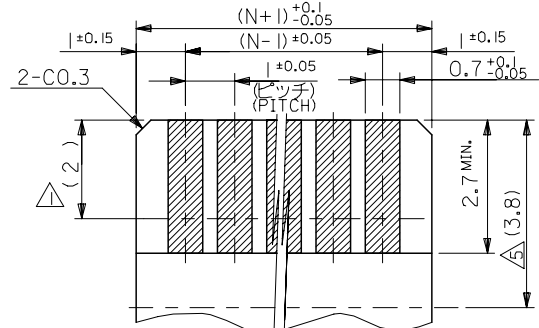


34.7	31.2	29	52207-3067	30
33.7	30.2	28	52207-2967	29
32.7	29.2	27	52207-2867	28
31.7	28.2	26	52207-2767	27
30.7	27.2	25	52207-2667	26
29.7	26.2	24	52207-2567	25
28.7	25.2	23	52207-2467	24
27.7	24.2	22	52207-2367	23
26.7	23.2	21	52207-2267	22
25.7	22.2	20	52207-2167	21
24.7	21.2	19	52207-2067	20
23.7	20.2	18	52207-1967	19
22.7	19.2	17	52207-1867	18
21.7	18.2	16	52207-1767	17
20.7	17.2	15	52207-1667	16
19.7	16.2	14	52207-1567	15
18.7	15.2	13	52207-1467	14
17.7	14.2	12	52207-1367	13
16.7	13.2	11	52207-1267	12
15.7	12.2	10	52207-1167	11
14.7	11.2	9	52207-1067	10
13.7	10.2	8	52207-0967	9
12.7	9.2	7	52207-0867	8
11.7	8.2	6	52207-0767	7
10.7	7.2	5	52207-0667	6
9.7	6.2	4	52207-0567	5
8.7	5.2	3	52207-0467	4
7.7	4.2	2	52207-0367	3
C	B	A	MATERIAL NO.	板数
			MODEL NO. 52207-xx*67	CIRCUITS

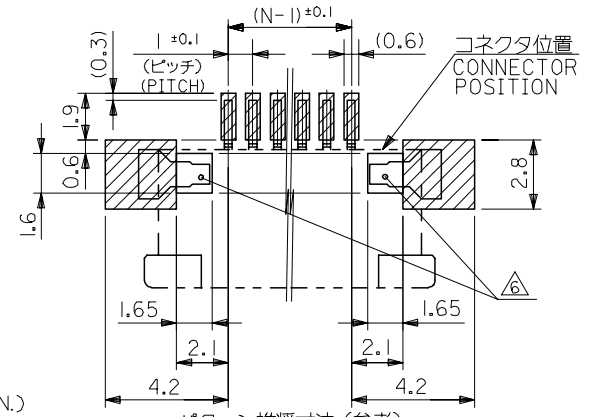
REVISED EC NO: J2007-0873 DRWN: YOTANI 2006/09/22 CHKD: Y. MAEDA 2007/03/23 APPR: NUKITA 2007/03/26	GENERAL TOLERANCES (UNLESS SPECIFIED)		DIMENSION STYLE MM ONLY		SCALE 10:1	DESIGN UNITS METRIC	THIRD ANGLE PROJECTION	
	10 UNDER	±0.2	DRAWN BY M. UMEDA	DATE 2005/03/02	TITLE 1.0 FPC CONN. ZIF SMT HSG ASSY -LEAD FREE-			
	10 OVER 30 UNDER	±0.25	CHECKED BY K. TOYODA	DATE 2005/03/02	MOLEX INCORPORATED			
	30 OVER	±0.3	APPROVED BY N. UKITA	DATE 2005/03/02	DOCUMENT NO. SD-52207-064			
	ANGULAR ±1 °	DRAFT WHERE APPLICABLE MUST REMAIN WITHIN DIMENSIONS		MATERIAL NO. SEE CHART	SHEET NO. 1 OF 2			
		THIS DRAWING CONTAINS INFORMATION THAT IS PROPRIETARY TO MOLEX INCORPORATED AND SHOULD NOT BE USED WITHOUT WRITTEN PERMISSION						



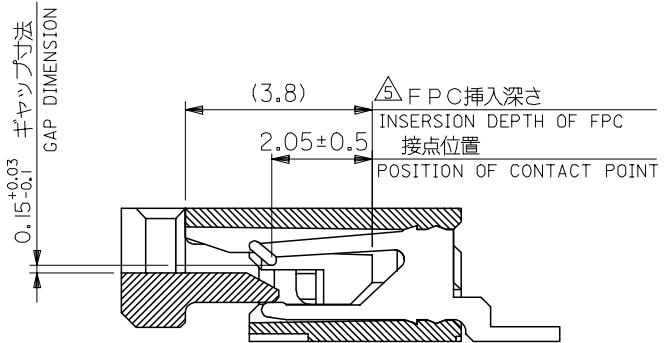
下面図
BOTTOM VIEW



(仕上り厚さ: 0.3±0.05) (メッキ厚: 0.1 μm MIN.)
 (THICKNESS: 0.3±0.05) (PLATING THICKNESS: 0.1 μm MIN.)
 適合FPC/FPC推奨寸法
 RECOMMENDED APPLICABLE
 FPC/FFC LAYOUT



パターン推奨寸法 (参考)
 RECOMMENDED PATTERN DIM.(REF.)



断面D-D
SECT.D-D

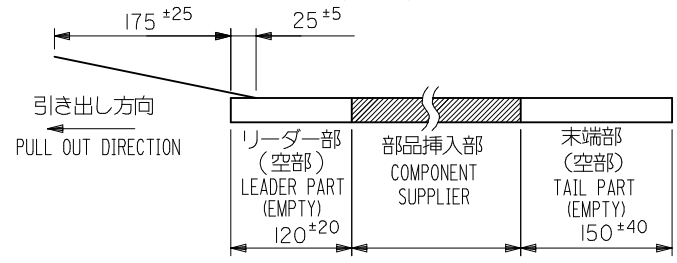
FPCについて:
 打抜き方向は、導体側から補強板側を推奨いたします。
 補強フィルム材質は、ポリイミドを推奨いたします。
 接着剤は、熱硬化接着剤を推奨いたします。

ABOUT FPC:
 RECOMMENDED PUNCHER DIRECTION: FROM CONDUCTOR SIDE TO STIFFENER BOARD SIDE.
 RECOMMENDED MATERIAL:
 STIFFENER FILM: POLYIMIDE
 BONDING AGENT: THERMOSETTING BONDING AGENT

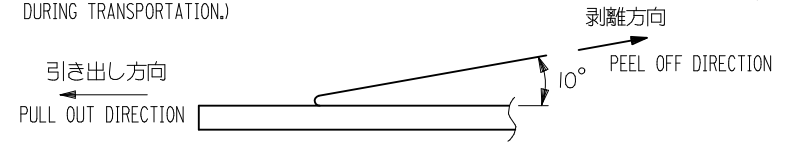
REVISED EC NO: J2007-0873 DRWN: OTANI 2006/09/22 CHKD: Y. MAEDA 2007/03/23 APPR: NUKITA 2007/03/26	GENERAL TOLERANCES (UNLESS SPECIFIED)		DIMENSION STYLE MM ONLY	SCALE 10:1	DESIGN UNITS METRIC	THIRD ANGLE PROJECTION
	10 UNDER	±0.2	DRAWN BY M.UMEDA	DATE 2005/03/02	TITLE 1.0 FPC CONN. ZIF SMT HSG ASSY -LEAD FREE-	
	10 OVER 30 UNDER	±0.25	CHECKED BY K.TOYODA	DATE 2005/03/02	MOLEX INCORPORATED	
	30 OVER	±0.3	APPROVED BY N.NUKITA	DATE 2005/03/02		
	ANGULAR	±1 °	MATERIAL NO.	DOCUMENT NO.	SHEET NO.	
DRAFT WHERE APPLICABLE MUST REMAIN WITHIN DIMENSIONS		SIZE A3	SEE SHEET 1	SD-52207-064	2 OF 2	

注記

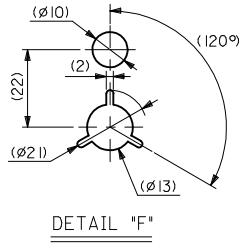
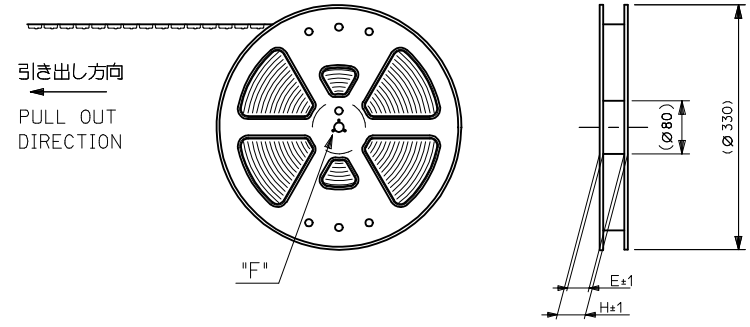
- 製品番号 52207-**67 の梱包状態はアクチュエータがロックした状態とする。
 詳細寸法については図面 SD-52207-064 を参照下さい。
 IN THE PACKAGE, ACTUATOR OF PART NO. 52207-**67 SHOULD BE LOCKED
 RE DETAILED DIMENSIONS, SEE SD-52207-064
- 梱包数量：1000個/リール
 NUMBER OF CONNECTORS: 1000PCS/REEL
- リードテープ長さ(LEAD TAPE LENGTH)
 トップテープ TOP TAPE トップテープ TOP TAPE
 リーダー部 LEADER PART 未接着部 NON-BONDED PART



- トップテープの剥離強度：0.1~1.3N (10gf~130gf) (剥離方向は下図参照)
 尚、本規格値は、出荷時に適用。(但し、輸送時に剥離が発生しない事。)
 PEELING OFF FORCE OF TOP TAPE: 0.1~1.3N (10gf~130gf)
 (PEELING DIRECTION AS SHOWN IN FOLLOWING FIG.)
 THIS REQUIREMENT SHOULD BE APPLIED AT SHIPMENT. (PEEL OFF SHOULD NOT BE ALLOWED, DURING TRANSPORTATION.)

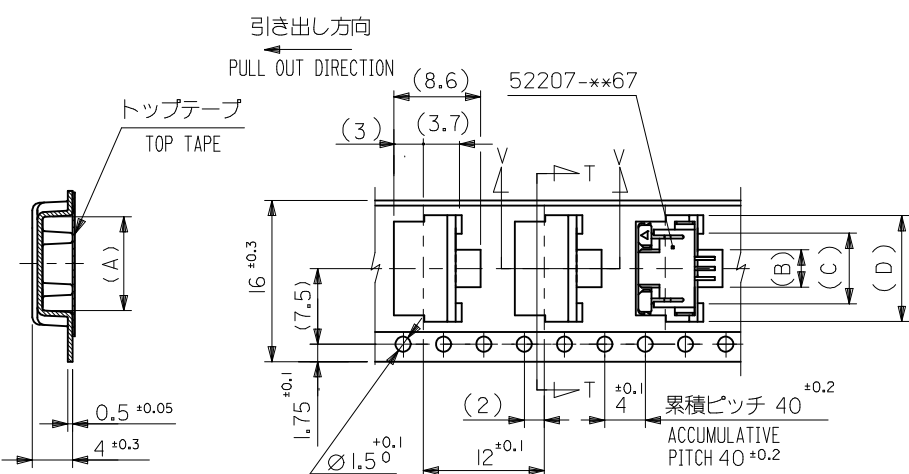


- 材料 (MATERIAL)
 キャリアテープ (CARRIER TAPE): ポリプロピレン (POLYPROPYLENE)
 トップテープ (TOPTAPE): PET, PE, PEF
 リール (REEL): ポリスチレン (PS) <リサイクル材を含む>
 POLYSTYRENE (PS) <RECYCLE MATERIAL CONTAINED>
- 本製品は 52207-**85 の金メッキ品である。
 THIS PRODUCT IS GOLD PLATING OF 52207-**85.
- 本製品は乾燥剤入り、ハイバリア梱包仕様である。
 THIS PRODUCT IS HIGH BARRIER PACKAGE WITH DESICCANT.

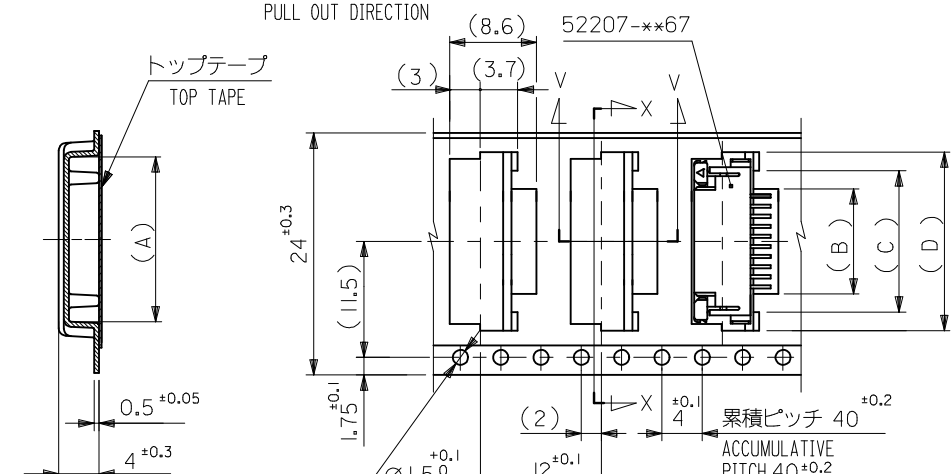


MODEL No.52207-**60

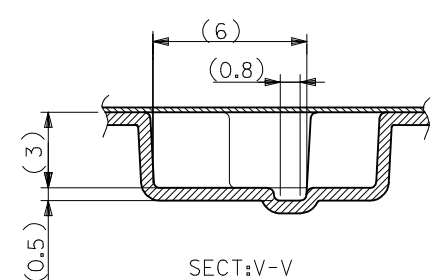
REVISED EC NO: J2009-2061 DRWN:TKON 2009/05/20 CHKD:HATSUMOTO 2009/05/21 APPR:NUKITA 2009/05/21	DESCRIPTION REV	GENERAL TOLERANCES (UNLESS SPECIFIED)		DIMENSION STYLE MM ONLY		SCALE ---	DESIGN UNITS METRIC	THIRD ANGLE PROJECTION	
		10 UNDER	±0.2	DRAWN BY M.UMEDA	DATE 2005/03/03	TITLE 1.0 FPC CONN. ZIF SMT WITH EMBSTP PKG -LEAD FREE-			
		10 OVER 30 UNDER	±0.25	CHECKED BY K.TOYODA	DATE 2005/03/03	MOLEX INCORPORATED			
		30 OVER	±0.3	APPROVED BY N.UKITA	DATE 2005/03/03	DOCUMENT NO. SD-52207-065		SHEET NO. 1 OF 5	
		ANGULAR ±1 ° DRAFT WHERE APPLICABLE MUST REMAIN WITHIN DIMENSIONS		MATERIAL NO. SEE SHEET 2		THIS DRAWING CONTAINS INFORMATION THAT IS PROPRIETARY TO MOLEX INCORPORATED AND SHOULD NOT BE USED WITHOUT WRITTEN PERMISSION			



SECT:T-T
16mm 幅 キャリアテープ
16mm WIDTH CARRIER TAPE



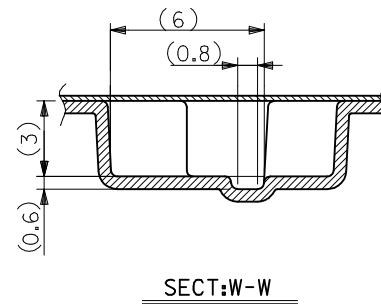
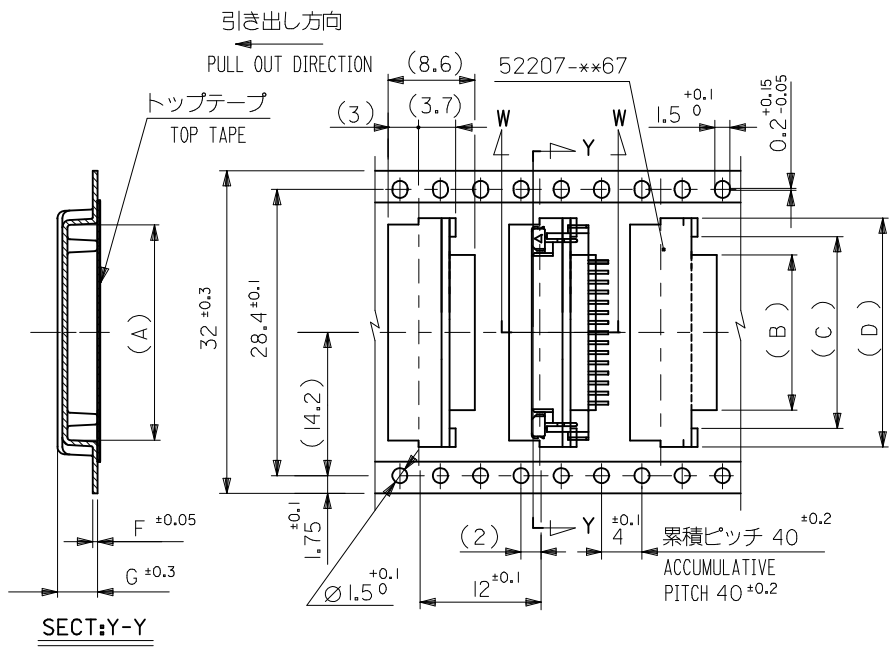
SECT:X-X
24mm 幅 キャリアテープ
24mm WIDTH CARRIER TAPE



SECT:V-V

24	29.4	25.4	18.5	15	11.7	17.3	52207-1160	11
			17.5	14	10.7	16.3	52207-1060	10
			16.5	13	9.7	15.3	52207-0960	9
			15.5	12	8.7	14.3	52207-0860	8
			14.5	11	7.7	13.3	52207-0760	7
			13.5	10	6.7	12.3	52207-0660	6
			12.5	9	5.7	11.3	52207-0560	5
			11.5	8	4.7	10.3	52207-0460	4
16	21.4	17.4	10.5	7	3.7	9.3	52207-0360	3
キャリアテープ幅 CARRIER TAPE WIDTH	H	E	(D)	(C)	(B)	(A)	MATERIAL NO. MODEL NO. 52207-**60	極数 CKT.

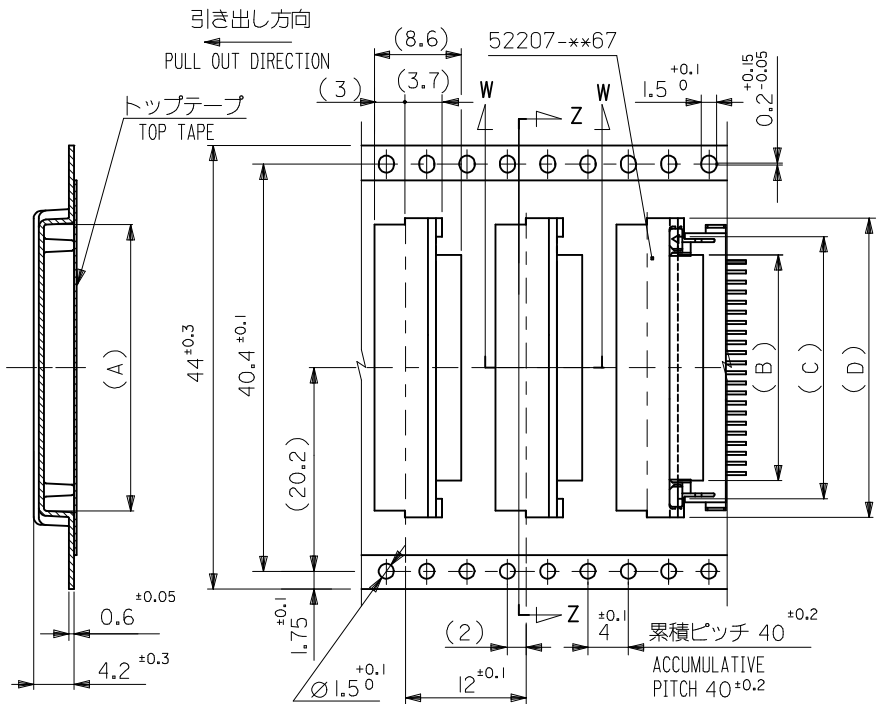
REVISED EC NO.: J2009-2061 DRWN:TKON 2009/05/20 CHKD:HMATSUMOTO 2009/05/21 APPR:NUKITA 2009/05/21	GENERAL TOLERANCES (UNLESS SPECIFIED)		DIMENSION STYLE MM ONLY		SCALE ---	DESIGN UNITS METRIC	THIRD ANGLE PROJECTION
	10 UNDER	±0.2	DRAWN BY M.UMEDA	DATE 2005/03/03	TITLE 1.0 FPC CONN. ZIF SMT WITH EMBSTP PKG -LEAD FREE-		
	10 OVER 30 UNDER	±0.25	CHECKED BY K.TOYODA	DATE 2005/03/03	MOLEX INCORPORATED		
	30 OVER	±0.3	APPROVED BY N.UKITA	DATE 2005/03/03	DOCUMENT NO. SD-52207-065		
	ANGULAR	±1 °	MATERIAL NO.	SEE TABLE		SHEET NO. 2 OF 5	
REV	DRAFT WHERE APPLICABLE MUST REMAIN WITHIN DIMENSIONS		THIS DRAWING CONTAINS INFORMATION THAT IS PROPRIETARY TO MOLEX INCORPORATED AND SHOULD NOT BE USED WITHOUT WRITTEN PERMISSION				



32mm 幅 キャリアテープ
32mm WIDTH CARRIER TAPE

32	37.4	33.4	4.0	0.5	23.5	20	16.7	22.35	52207-1660	16
			4.2	0.6	22.5	19	15.7	21.35	52207-1560	15
			4.2	0.6	21.5	18	14.7	20.35	52207-1460	14
			4.2	0.6	20.5	17	13.7	19.35	52207-1360	13
			4.2	0.6	19.5	16	12.7	18.35	52207-1260	12
キャリアテープ幅 CARRIER TAPE WIDTH	H	E	(G)	(F)	(D)	(C)	(B)	(A)	MATERIAL NO.	種数 CKT.
									MODEL NO. 52207-***60	

REVISED EC NO.: J2009-2061 DRWN:TKON 2009/05/20 CHKD:HMATSUMOTO 2009/05/21 APPR:NUKITA 2009/05/21	GENERAL TOLERANCES (UNLESS SPECIFIED)		DIMENSION STYLE MM ONLY		SCALE ---	DESIGN UNITS METRIC	THIRD ANGLE PROJECTION		
	10 UNDER	±0.2	DRAWN BY M.UMEDA	DATE 2005/03/03	TITLE 1.0 FPC CONN ZIF SMT WITH EMBSTP PKG -LEAD FREE-				
	10 OVER 30 UNDER	±0.25	CHECKED BY K.TOYODA	DATE 2005/03/03	MOLEX INCORPORATED				
	30 OVER	±0.3	APPROVED BY N.UKITA	DATE 2005/03/03	MATERIAL NO. SEE TABLE		DOCUMENT NO. SD-52207-065	SHEET NO. 3 OF 5	
	ANGULAR ±1 °		DRAFT WHERE APPLICABLE MUST REMAIN WITHIN DIMENSIONS		THIS DRAWING CONTAINS INFORMATION THAT IS PROPRIETARY TO MOLEX INCORPORATED AND SHOULD NOT BE USED WITHOUT WRITTEN PERMISSION				

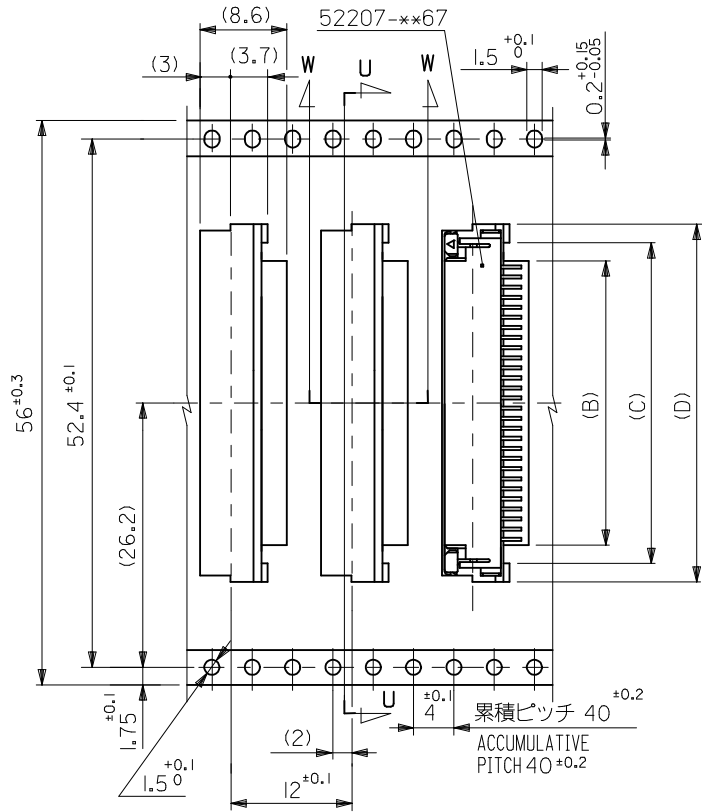
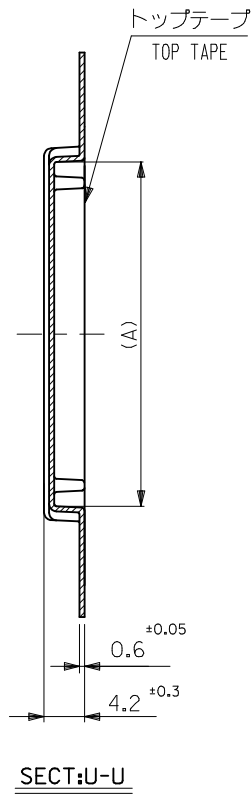


SECT:Z-Z

44mm 幅 キャリアテープ
44mm WIDTH CARRIER TAPE

44	49.4	45.4	---	---	34.5	30	27.7	33.35	52207-2760	27
			---	---	33.5	30	26.7	32.35	52207-2660	26
			---	---	32.5	29	25.7	31.35	52207-2560	25
			---	---	31.5	28	24.7	30.35	52207-2460	24
			---	---	29.5	26	22.7	28.35	52207-2260	22
			---	---	28.5	25	21.7	27.35	52207-2160	21
			---	---	27.5	24	20.7	26.35	52207-2060	20
			---	---	26.5	23	19.7	25.35	52207-1960	19
			---	---	25.5	22	18.7	24.35	52207-1860	18
キャリアテープ幅 CARRIER TAPE WIDTH	H	E	(G)	(F)	(D)	(C)	(B)	(A)	MATERIAL NO. MODEL NO. 52207-**-60	種数 CKT.

REVISED EC NO: J2009-2061 DRWN:TKON 2009/05/20 CHKD:HMATSUMOTO 2009/05/21 APPR:NUKITA 2009/05/21 G	DESCRIPTION	GENERAL TOLERANCES (UNLESS SPECIFIED)	DIMENSION STYLE MM ONLY	SCALE ---	DESIGN UNITS METRIC	THIRD ANGLE PROJECTION
	REV	10 UNDER ±0.2	DRAWN BY M.UMEDA	DATE 2005/03/03	TITLE 1.0 FPC CONN ZIF SMT WITH EMBSTP PKG -LEAD FREE-	MOLEX INCORPORATED SD-52207-065
		10 OVER 30 UNDER ±0.25	CHECKED BY K.TOYODA	DATE 2005/03/03	DOCUMENT NO. SEE TABLE	
		30 OVER ±0.3	APPROVED BY N.UKITA	DATE 2005/03/03	MATERIAL NO.	THIS DRAWING CONTAINS INFORMATION THAT IS PROPRIETARY TO MOLEX INCORPORATED AND SHOULD NOT BE USED WITHOUT WRITTEN PERMISSION
		ANGULAR ±1 °	DRAFT WHERE APPLICABLE MUST REMAIN WITHIN DIMENSIONS	SIZE A3		



56mm 幅 キャリアテープ
56mm WIDTH CARRIER TAPE

56	61.4	57.4	37.5	34	30.7	36.35	52207-3060	30
			36.5	33	29.7	35.35	52207-2960	29
			35.5	32	28.7	34.35	52207-2860	28
キャリアテープ幅 CARRIER TAPE WIDTH	F	E	(D)	(C)	(B)	(A)	MATERIAL NO.	CIRCUIT

REVISED EC NO: J2009-2061 DRWN:TKON 2009/05/20 CHKD:HMATSUMOTO 2009/05/21 APPR:NUKITA 2009/05/21 G REV	GENERAL TOLERANCES (UNLESS SPECIFIED)		DIMENSION STYLE MM ONLY		SCALE ---	DESIGN UNITS METRIC	MODEL NO. 52207-***60	
	10 UNDER	±0.2	DRAWN BY M.UMEDA	DATE 2005/03/03	TITLE 1.0 FPC CONN ZIF SMT WITH EMBSTP PKG -LEAD FREE-			
	10 OVER 30 UNDER	±0.25	CHECKED BY K.TOYODA	DATE 2005/03/03	MOLEX INCORPORATED			
	30 OVER	±0.3	APPROVED BY N.UKITA	DATE 2005/03/03	MATERIAL NO. SEE TABLE	DOCUMENT NO. SD-52207-065	SHEET NO. 5 OF 5	
ANGULAR ±1 °		DRAFT WHERE APPLICABLE MUST REMAIN WITHIN DIMENSIONS		THIS DRAWING CONTAINS INFORMATION THAT IS PROPRIETARY TO MOLEX INCORPORATED AND SHOULD NOT BE USED WITHOUT WRITTEN PERMISSION				



Компания «ЭлектроПласт» предлагает заключение долгосрочных отношений при поставках импортных электронных компонентов на взаимовыгодных условиях!

Наши преимущества:

- Оперативные поставки широкого спектра электронных компонентов отечественного и импортного производства напрямую от производителей и с крупнейших мировых складов;
- Поставка более 17-ти миллионов наименований электронных компонентов;
- Поставка сложных, дефицитных, либо снятых с производства позиций;
- Оперативные сроки поставки под заказ (от 5 рабочих дней);
- Экспресс доставка в любую точку России;
- Техническая поддержка проекта, помощь в подборе аналогов, поставка прототипов;
- Система менеджмента качества сертифицирована по Международному стандарту ISO 9001;
- Лицензия ФСБ на осуществление работ с использованием сведений, составляющих государственную тайну;
- Поставка специализированных компонентов (Xilinx, Altera, Analog Devices, Intersil, Interpoint, Microsemi, Aeroflex, Peregrine, Syfer, Eurofarad, Texas Instrument, Miteq, Cobham, E2V, MA-COM, Hittite, Mini-Circuits, General Dynamics и др.);

Помимо этого, одним из направлений компании «ЭлектроПласт» является направление «Источники питания». Мы предлагаем Вам помощь Конструкторского отдела:

- Подбор оптимального решения, техническое обоснование при выборе компонента;
- Подбор аналогов;
- Консультации по применению компонента;
- Поставка образцов и прототипов;
- Техническая поддержка проекта;
- Защита от снятия компонента с производства.



Как с нами связаться

Телефон: 8 (812) 309 58 32 (многоканальный)

Факс: 8 (812) 320-02-42

Электронная почта: org@eplast1.ru

Адрес: 198099, г. Санкт-Петербург, ул. Калинина, дом 2, корпус 4, литера А.