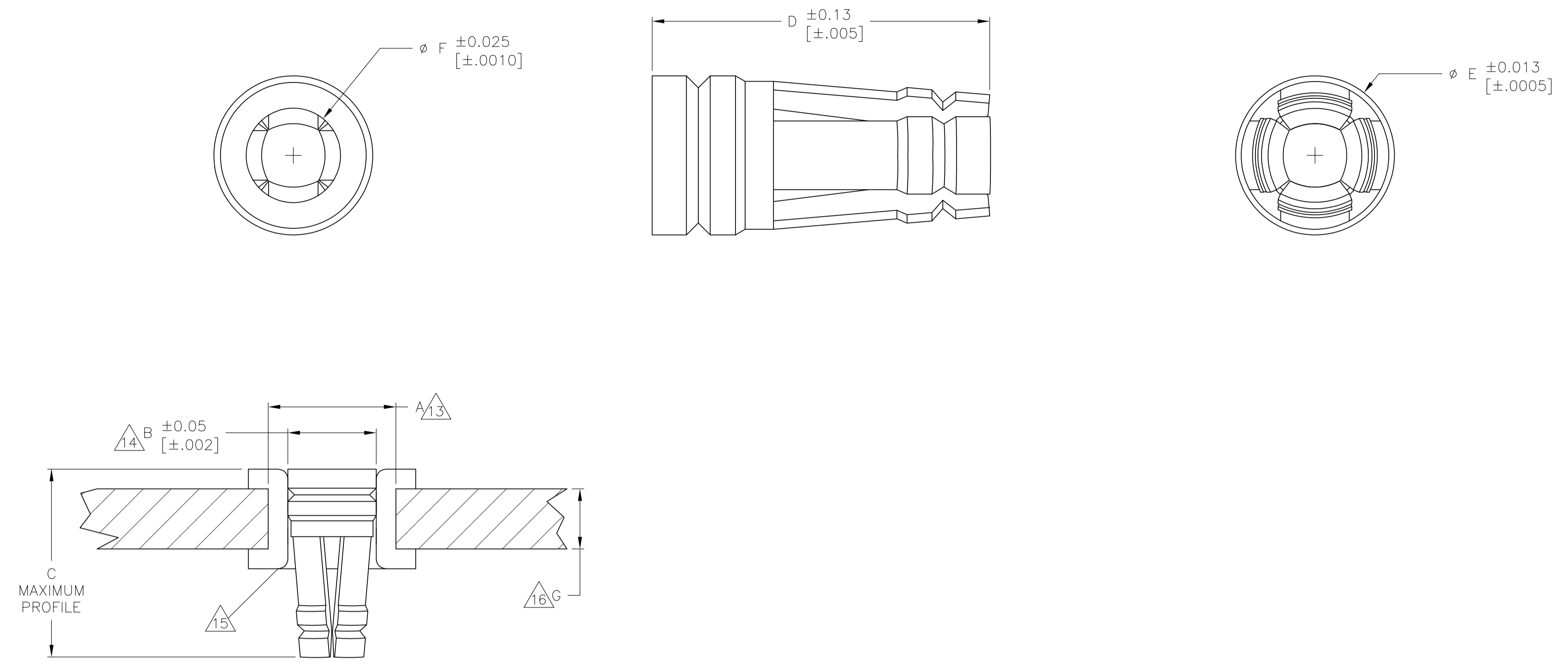


LOC		DIST		REVISIONS			
AD	00	REV	DATE	BY	CHK	APPV	
C2	REVISED PER	ECO-11-004587	11MAR11	RK	HMR		



PLATED-THROUGH-HOLE REQUIREMENTS
SCALE 25:1

- 1 BERYLLIUM COPPER PER ATSM B197.
- 2 .000635 [.000025] MIN. GOLD OVER .001270 [.000050] MIN. NICKEL.
- 3 .000762 [.000030] MIN. GOLD OVER .001270 [.000050] MIN. NICKEL.
- 4 .002032 [.000080] MIN. MATTE TIN-LEAD OVER .001905 [.000075] MIN. COPPER.
- 5 QUALIFIED TO MILITARY SPECIFICATION MIL-DTL-83805/6
- 6 ROUND LEAD DIAMETER 0.41-0.53 [.016-.021].
- 7 ROUND LEAD DIAMETER 0.51-0.76 [.020-.030].
- 8 ROUND LEAD DIAMETER 0.64-0.89 [.025-.035].
- 9 ROUND LEAD DIAMETER 0.89-1.14 [.035-.045].
- 10 RECTANGULAR LEAD SIZE 0.28X0.46±0.05 [.011X.018±.002].
- 11 RECTANGULAR LEAD SIZE 0.64 SQ. [.025 SQ.].
- 12 LOW INSERTION/WITHDRAWAL FORCE PRODUCT.
- 13 NOMINAL DRILL SIZE FOR PRIMARY HOLE.
- 14 FINISHED HOLE DIAMETER.
- 15 PLATED-THRU HOLE FINISH: 0.0076-0.0127 [.0003-.0005] TIN-LEAD OVER 0.001 [.0254] MIN. COPPER
- 16 MINIMUM THICKNESS FOR THE CIRCUIT BOARD.
- 17 OVERSIZED PRODUCT- FOR USE WHEN THE FINISHED HOLE DIAMETER EXCEEDS 1.15 [.0453] BY 0.05 [.002] OR LESS.
- 18 THESE PRODUCTS ARE BULK PACKAGED.
- 19 .002032 [.000080] MIN. MATTE TIN (LEAD FREE) OVER .001905 [.000075] MIN COPPER
- 20 PRELIMINARY PART, NOT RELEASED FOR PRODUCTION.
- 21 .0046 [.000180] MIN TIN
- 22 OBSOLETE PARTS: OBSOLETE CIS STREAMLINING PER D.RENAUD/D.SINISI

22 OBSOLETE

0.76 [.030]	1.07 [.042]	1.588 [.0625]	3.45 [.136]	3.56 [.140]	1.47 [.058]	1.61 [.0635]	10,000	8 11	-	4	8134-HC-8P3	2-1437506-8
0.76 [.030]	.097 [.038]	1.588 [.0625]	3.45 [.136]	3.56 [.140]	1.47 [.058]	1.61 [.0635]	10,000	7	-	2	8134-HC-8P2	2-1437506-7
0.76 [.030]	0.66 [.026]	1.118 [.0440]	2.39 [.094]	2.54 [.100]	1.04 [.041]	1.15 [.0453]	10,000	6 10	-	4	8134-HC-6P3	2-1437506-5
0.76 [.030]	0.74 [.029]	1.168 [.0460]	2.39 [.094]	2.54 [.100]	1.09 [.043]	1.150 [.0453]	10,000	6 10	-	2	8134-HC-6P2	2-1437506-4
0.76 [.030]	0.66 [.026]	1.118 [.0440]	2.39 [.094]	2.54 [.100]	1.04 [.041]	1.15 [.0453]	10,000	6 10	-	4	8134-HC-5P3	2-1437506-1
0.76 [.030]	0.74 [.029]	1.168 [.0460]	2.39 [.094]	2.54 [.100]	1.09 [.043]	1.150 [.0453]	10,000	6 10	-	2	8134-HC-5P2	2-1437506-0
1.27 [.050]	1.32 [.052]	2.184 [.0860]	3.96 [.156]	4.06 [.160]	2.08 [.082]	2.22 [.0875]	10,000	9	-	4	8134-HC-14P3	1-1437506-7
1.27 [.050]	1.32 [.052]	2.184 [.0860]	3.96 [.156]	4.06 [.160]	2.08 [.082]	2.22 [.0875]	10,000	9	-	2	8134-HC-14P2	1-1437506-6
1.27 [.050]	1.32 [.052]	2.184 [.0860]	3.96 [.156]	4.06 [.160]	2.08 [.082]	2.22 [.0875]	10,000	9	-	4	8134-HC-12P3	1-1437506-4
1.27 [.050]	1.32 [.052]	2.184 [.0860]	3.96 [.156]	4.06 [.160]	2.08 [.082]	2.22 [.0875]	10,000	9	-	2	8134-HC-12P2	1-1437506-3
0.76 [.030]	1.07 [.042]	1.588 [.0625]	3.45 [.136]	3.56 [.140]	1.47 [.058]	1.61 [.0635]	50,000	8 11	-	9	8134-HC-8P3LF	8-1437514-8
0.76 [.030]	0.66 [.026]	1.118 [.0440]	2.39 [.094]	2.54 [.100]	1.04 [.041]	1.15 [.0453]	50,000	6 10	-	4	8134-HC-27P4	6-1437514-5
0.76 [.030]	0.66 [.026]	1.118 [.0440]	2.39 [.094]	2.54 [.100]	1.04 [.041]	1.15 [.0453]	50,000	6 10	-	2	8134-HC-27P3	4-147699-4
0.76 [.030]	0.74 [.029]	1.168 [.0460]	2.39 [.094]	2.54 [.100]	1.09 [.043]	1.15 [.0453]	50,000	6 10	-	21	8134-HC-14P3	6-1437514-2
0.76 [.030]	0.74 [.029]	1.168 [.0460]	2.39 [.094]	2.54 [.100]	1.09 [.043]	1.15 [.0453]	50,000	6 10	-	2	8134-HC-14P2	6-1437514-1
1.27 [.050]	1.32 [.052]	2.184 [.0860]	3.96 [.156]	4.06 [.160]	2.08 [.082]	2.22 [.0875]	50,000	9	-	4	8134-HC-12P3	6-1437514-0
1.27 [.050]	1.32 [.052]	2.184 [.0860]	3.96 [.156]	4.06 [.160]	2.08 [.082]	2.22 [.0875]	50,000	9	-	19	8134-HC-12P3LF	8-1437514-9
0.76 [.030]	1.07 [.042]	1.588 [.0625]	3.45 [.136]	3.56 [.140]	1.47 [.058]	1.61 [.0635]	50,000	8 11	-	3	M83505/6-004/5	7-1437514-9
0.76 [.030]	1.07 [.042]	1.588 [.0625]	3.45 [.136]	3.56 [.140]	1.47 [.058]	1.61 [.0635]	50,000	8 11	-	2	8134-HC-12P2	6-1437514-1
0.76 [.030]	1.07 [.042]	1.588 [.0625]	3.45 [.136]	3.56 [.140]	1.47 [.058]	1.61 [.0635]	50,000	8 11	-	4	8134-HC-8P3	7-1437514-1
0.76 [.030]	1.07 [.042]	1.588 [.0625]	3.45 [.136]	3.56 [.140]	1.47 [.058]	1.61 [.0635]	50,000	8 11	-	3	M83505/6-003/5	8-1437514-2
0.76 [.030]	1.07 [.042]	1.588 [.0625]	3.45 [.136]	3.56 [.140]	1.47 [.058]	1.61 [.0635]	50,000	8 11	-	2	8134-HC-8P2	7-1437514-0
0.76 [.030]	1.07 [.042]	1.588 [.0625]	3.45 [.136]	3.56 [.140]	1.47 [.058]	1.61 [.0635]	50,000	8 11	-	19	8134-HC-6P3LF	9-1437514-1
0.76 [.030]	.097 [.038]	1.588 [.0625]	3.45 [.136]	3.56 [.140]	1.47 [.058]	1.61 [.0635]	50,000	7	-	4	8134-HC-6P3	6-1437514-9
0.76 [.030]	.097 [.038]	1.588 [.0625]	3.45 [.136]	3.56 [.140]	1.47 [.058]	1.61 [.0635]	50,000	7	-	3	M83505/6-002/5	8-1437514-1
0.76 [.030]	.097 [.038]	1.588 [.0625]	3.45 [.136]	3.56 [.140]	1.47 [.058]	1.61 [.0635]	50,000	7	-	2	8134-HC-6P2	6-1437514-8
0.76 [.030]	.097 [.038]	1.588 [.0625]	3.45 [.136]	3.56 [.140]	1.47 [.058]	1.61 [.0635]	50,000	7	-	19	8134-HC-5P3LF	9-1437514-0
0.76 [.030]	.097 [.038]	1.588 [.0625]	3.45 [.136]	3.56 [.140]	1.47 [.058]	1.61 [.0635]	50,000	7	-	4	8134-HC-5P3	6-1437514-7
0.76 [.030]	.097 [.038]	1.588 [.0625]	3.45 [.136]	3.56 [.140]	1.47 [.058]	1.61 [.0635]	50,000	7	-	3	M83505/6-001/5	8-1437514-0
0.76 [.030]	.097 [.038]	1.588 [.0625]	3.45 [.136]	3.56 [.140]	1.47 [.058]	1.61 [.0635]	50,000	7	-	2	8134-HC-5P2	6-1437514-6
G	F	E	D	C	B	A	PACKAGE QUANTITY 18	RECOMMENDED LEAD SIZE	MILITARY PART NUMBER	FINISH	AUGAT PART NUMBER (REF)	PART NUMBER

THIS DRAWING IS A CONTROLLED DOCUMENT.

STE TE Connectivity

HOLTITE CONTACTS

108-1979

114-13033

00779

147699

1 of 1



Компания «ЭлектроПласт» предлагает заключение долгосрочных отношений при поставках импортных электронных компонентов на взаимовыгодных условиях!

Наши преимущества:

- Оперативные поставки широкого спектра электронных компонентов отечественного и импортного производства напрямую от производителей и с крупнейших мировых складов;
- Поставка более 17-ти миллионов наименований электронных компонентов;
- Поставка сложных, дефицитных, либо снятых с производства позиций;
- Оперативные сроки поставки под заказ (от 5 рабочих дней);
- Экспресс доставка в любую точку России;
- Техническая поддержка проекта, помощь в подборе аналогов, поставка прототипов;
- Система менеджмента качества сертифицирована по Международному стандарту ISO 9001;
- Лицензия ФСБ на осуществление работ с использованием сведений, составляющих государственную тайну;
- Поставка специализированных компонентов (Xilinx, Altera, Analog Devices, Intersil, Interpoint, Microsemi, Aeroflex, Peregrine, Syfer, Eurofarad, Texas Instrument, Miteq, Cobham, E2V, MA-COM, Hittite, Mini-Circuits, General Dynamics и др.);

Помимо этого, одним из направлений компании «ЭлектроПласт» является направление «Источники питания». Мы предлагаем Вам помощь Конструкторского отдела:

- Подбор оптимального решения, техническое обоснование при выборе компонента;
- Подбор аналогов;
- Консультации по применению компонента;
- Поставка образцов и прототипов;
- Техническая поддержка проекта;
- Защита от снятия компонента с производства.



Как с нами связаться

Телефон: 8 (812) 309 58 32 (многоканальный)

Факс: 8 (812) 320-02-42

Электронная почта: org@eplast1.ru

Адрес: 198099, г. Санкт-Петербург, ул. Калинина, дом 2, корпус 4, литера А.