



**SPnT Coaxial Switches DC to 6 GHz, DC to 20 GHz, DC to 26.5 GHz, DC to 40 GHz**

Radiall's TITANIUM switches are optimised to perform at a high level over an extended life span. With outstanding RF performances, and a guaranteed Insertion Loss repeatability of 0.03 dB over a life span of 2,5 million switching cycles. RADIALL TITANIUM switches are perfect for automated test and measurement equipment, as well as signal monitoring devices.

**PART NUMBER SELECTION**

**R 514 . 73 . . 7 .**

**NEW**

**RF Connectors :**  
3 : SMA up to 6 GHz  
4 : SMA up to 20 GHz  
F : SMA up to 26.5 GHz  
8 : SMA 2.9 up to 40 GHz

**Type :**  
7 : Latching + Self cut-off + Auto Reset + Indicators

**Number of Positions :**  
4 : 4 positions  
6 : 6 positions

**Options :**  
1 : Positive common (without TTL)  
2 : TTL/5V logic with 24 Vdc supply

**Documentation :**  
- : Certificate Of Conformity  
C : Calibration certificate  
R : Calibration certificate + RF curves

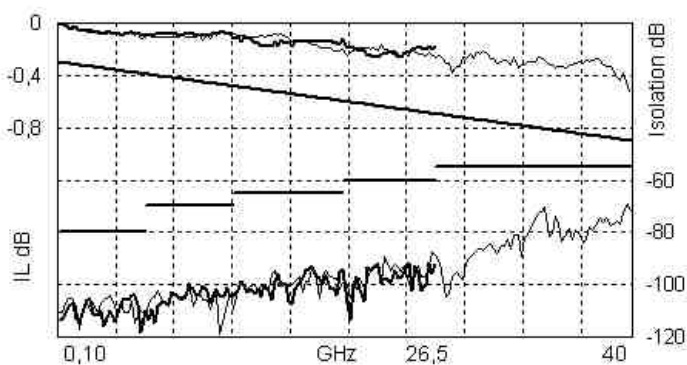
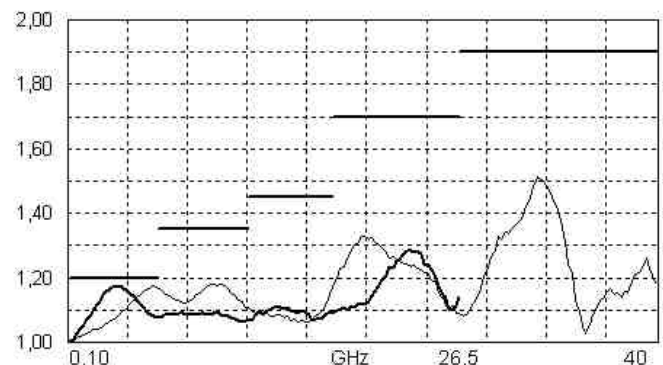
**Actuator Terminal :**  
7 : HE 10 receptacle, delivered with 750 mm (30 inches) ribbon cable + HE10 connector

**PICTURE**



**RF PERFORMANCES**

| PART NUMBER                      | R5143734-7<br>R5143736-7          | R5144734-7<br>R5144736-7   | R514F734-7<br>R514F736-7   | R5148734-7<br>R5148736-7  |
|----------------------------------|-----------------------------------|--|--|---|
| Frequency Range GHz              | DC to 6                           | DC to 20   | DC to 26.5   | DC to 40  |
| Impedance Ohms                   | 50                                |  |  |   |
| Insertion Loss dB (Maximum)      | 0.3 + 0.015 x frequency (GHz)     |  |  |   |
| Isolation dB (Minimum)           | 80                                | DC to 6 GHz : 80<br>6 to 12.4 GHz : 70<br>12.4 to 20 GHz : 65                              | DC to 6 GHz : 80<br>6 to 12.4 GHz : 70<br>12.4 to 20 GHz : 65<br>20 to 26.5 GHz : 60         | DC to 6 GHz : 80<br>6 to 12.4 GHz : 70<br>12.4 to 20 GHz : 65<br>20 to 26.5 GHz : 60<br>26.5 to 40 GHz : 55           |
| V.S.W.R. (Maximum)               | 1.20                              | DC to 6 GHz : 1.20<br>6 to 12.4 GHz : 1.35<br>12.4 to 18 GHz : 1.45<br>18 to 20 GHz : 1.70 | DC to 6 GHz : 1.20<br>6 to 12.4 GHz : 1.35<br>12.4 to 18 GHz : 1.45<br>18 to 26.5 GHz : 1.70 | DC to 6 GHz : 1.20<br>6 to 12.4 GHz : 1.35<br>12.4 to 18 GHz : 1.45<br>18 to 26.5 GHz : 1.70<br>26.5 to 40 GHz : 1.90 |
| Third order Inter Modulation     | -120 dBc typical (2 carriers 20W) |  |  |   |
| Repeatability (measured at 25°C) | 0.03 dB                           |  | 0.05 dB  |   |

**TYPICAL RF PERFORMANCES****Insertion Loss and Isolation****V.S.W.R.**

**ADDITIONAL SPECIFICATIONS**

|   |            |   |                         |
|---|------------|---|-------------------------|
| <b>Operating mode</b>   |            | <b>Latching</b>   |                         |
| <b>Nominal operating voltage</b> (across operating temperature) Vdc |            | <b>24</b> (20 / 32)   |                         |
| <b>Coil resistance</b> (+/-10%)                                     | Ohms       | 120   |                         |
| <b>Nominal operating current at 23°C</b>                            | mA         | 200   |                         |
| <b>Maximum stand-by current</b>                                     | mA         | 50  |                         |
| <b>Average power</b>  |            | RF path Cold switching : see Power Rating Chart on page 8<br>Hot switching : 1 Watt CW  |                         |
|   |            | Internal terminations 1 Watt average into 50 Ω  |                         |
| <b>TTL input</b>  | High Level | 3 to 7 V  | 1.4 mA max at Vcc = Max |
|   | Low Level  | 0 to 0.8 V  |                         |
| <b>Indicator specifications</b>                                     |            | Maximum withstanding voltage : 60V<br>Maximum current capacity : 150 mA<br>Maximum « ON » resistance : 2.5 Ω<br>Minimum « OFF » resistance : 100 MΩ |                         |
| <b>Switching time</b> (max)   | ms         | 15  |                         |
| <b>Life</b> (min) for   | SMA        | 2,5 million cycles  |                         |
|   | SMA 2.9    | 1 million cycles  |                         |
| <b>Connectors</b>   |            | SMA – SMA 2.9   |                         |
| <b>Actuator terminal</b>  |            | HE10 ribbon receptacle  |                         |
| <b>Weight</b> (max)   | g          | 230   |                         |

**ENVIRONMENTAL SPECIFICATIONS**

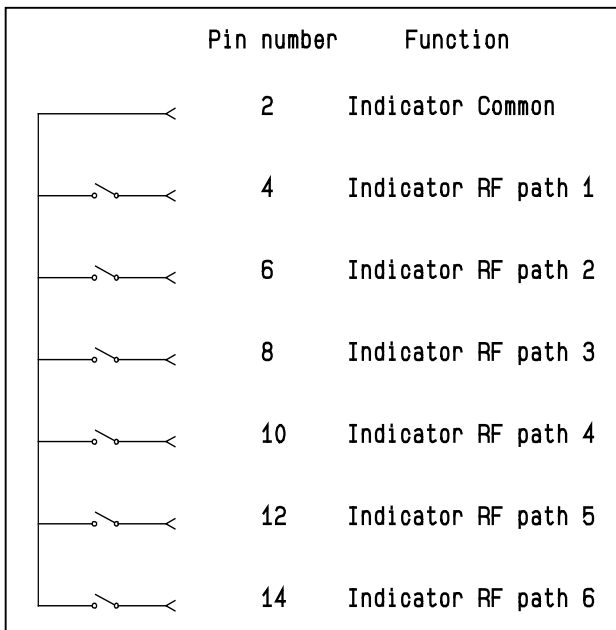
|   |    |                                       |
|---|----|---------------------------------------|
| <b>Operating temperature range</b>                              | °C | -25 to +75                            |
| <b>Storage temperature range</b>                                | °C | -55 to +85                            |
| <b>Temperature cycling</b> (MIL-STD-202 , Method 107D , Cond.A) | °C | -55 to +85 (10 cycles)                |
| <b>Vibration</b> (MIL STD 202 , Method 204D , Cond.D)           |    | 10-2000 Hz , 10g operating            |
| <b>Shock</b> (MIL STD 202 , Method 213B , Cond.C)               |    | 50g / 6 ms , ½ sine operating         |
| <b>Moisture resistance</b> (MIL STD 202 , Method 106E , Cond.E) |    | 65°C, 95% RH, 10 days                 |
| <b>Altitude storage</b> (MIL STD 202 , Method 105C , Cond.B)    |    | 50,000 feet (15,240 meters)           |
| <b>RFI</b> (MIL STD 1344 , Method 3008 or IEC 61726)            |    | 55dB at 20GHz                         |
| <b>Magnetic field</b>   |    | < 5.10 <sup>-5</sup> gauss at 1 meter |





**ELECTRONIC POSITION INDICATORS**

The electronic position indicators utilise photo-MOS transistors which are driven by the mechanical position of the RF paths moving elements. The circuitry consists of a common which can be connected to an output corresponding to selected RF path. If one or several RF paths are closed, the corresponding indicators are connected to the common. The photo-MOS transistors are configured for AC and/or DC operation. The electronic position indicators require the supply (20 to 32 VDC) to be connected to pin 1 and ground connected to pin 15.

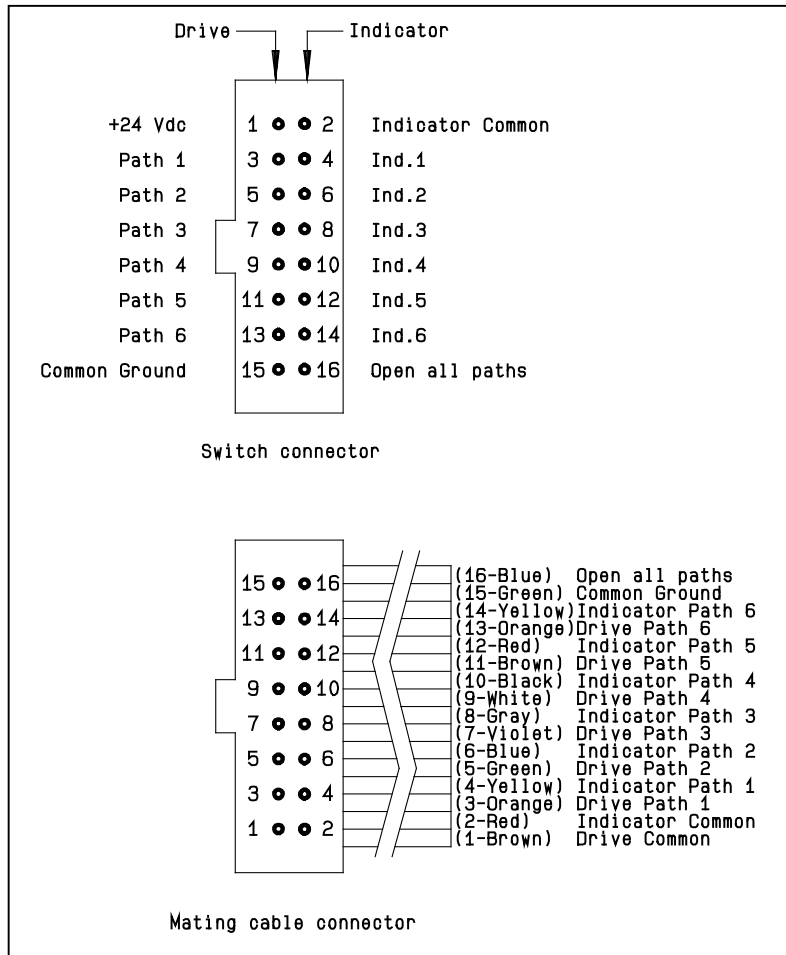


Ways 1 and 4 are not connected for SP4T switches.



**DRIVING THE SWITCH : Type 7 : with TTL (option "2") / without TTL (option "1").**

Each RF path can be closed by applying Ground or TTL "High" for option 2 to the corresponding "drive" pin. In general, except for Make-Before-Break drive, all other RF paths are simultaneously opened by internal logic.



**Standard drive option "1"**

- Connect pin 15 to ground.
- Connect pin 1 to supply (+20 VDC to +32 VDC)
- Select (close) desired RF path by applying Ground to the corresponding "drive" pin (Ex: apply Ground to pin 3 to close RF path 1).
- To select another path, ensure that all unwanted RF path "drive" pins are disconnected from Ground (to prevent multiple RF path engagement). Apply Ground to the "drive" pin which corresponds to the desired RF path.
- To open all RF paths, ensure that all RF path "drive" pins are disconnected from Ground. Complete the operation by applying Ground to pin 16.

**TTL drive option "2"**

- Connect pin 15 to ground.
- Connect pin 1 to supply (+20 VDC to +32 VDC)
- Select (close) desired RF path by applying TTL "High" to the corresponding "drive" pin (Ex: apply TTL "High" to pin 3 to close RF path 1).
- To select another path, ensure that all unwanted RF path "drive" pins are in TTL "Low" position (to prevent multiple RF path engagement). Apply TTL "High" to the "drive" pin which corresponds to the desired RF path.
- To open all RF paths, ensure that all RF path "drive" pins are in TTL "Low" position. Complete the operation by applying TTL "High" to pin 16.

Ways 1 and 4 are not connected for SP4T switches.

**Break-Before-Make**

Open the undesired RF path. After 15 ms (minimum), close the new RF port.

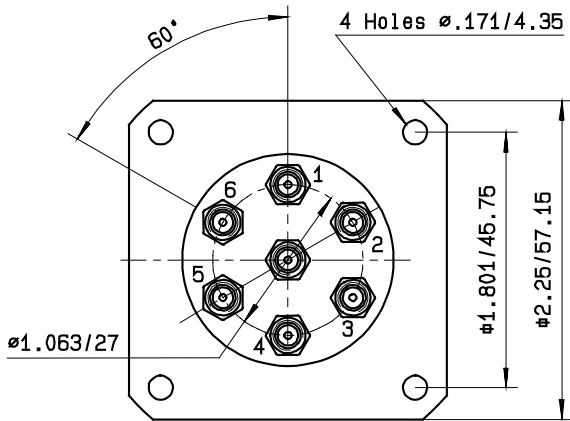
**Make-Before-Break**

Ensure that the previously selected RF path "drive" is connected to Ground (or TTL "High" for option "2", then close the new RF path.

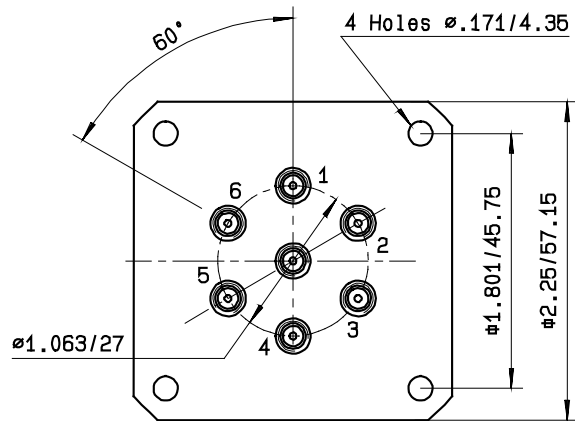


**TYPICAL OUTLINE DRAWING**

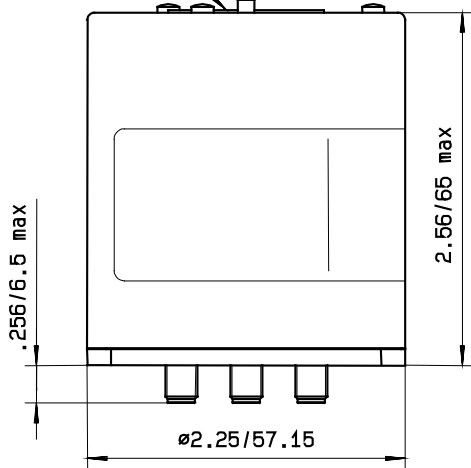
**SMA connectors**



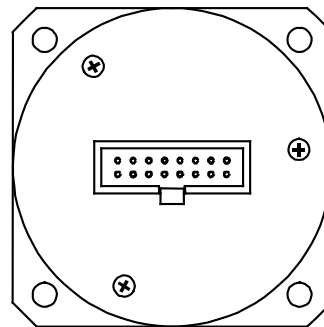
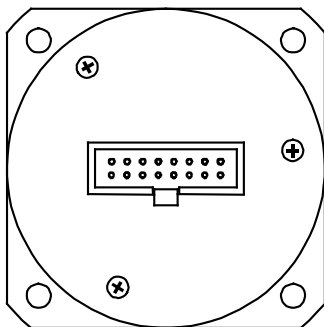
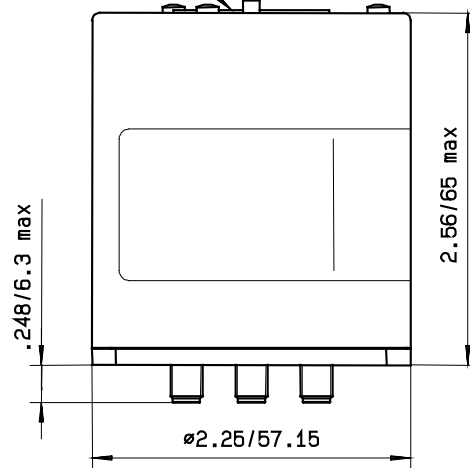
**SMA 2.9 connectors**



**16 pin HB10 male connector**



**16 pin HB10 male connector**



All dimensions are in inches/millimetres.

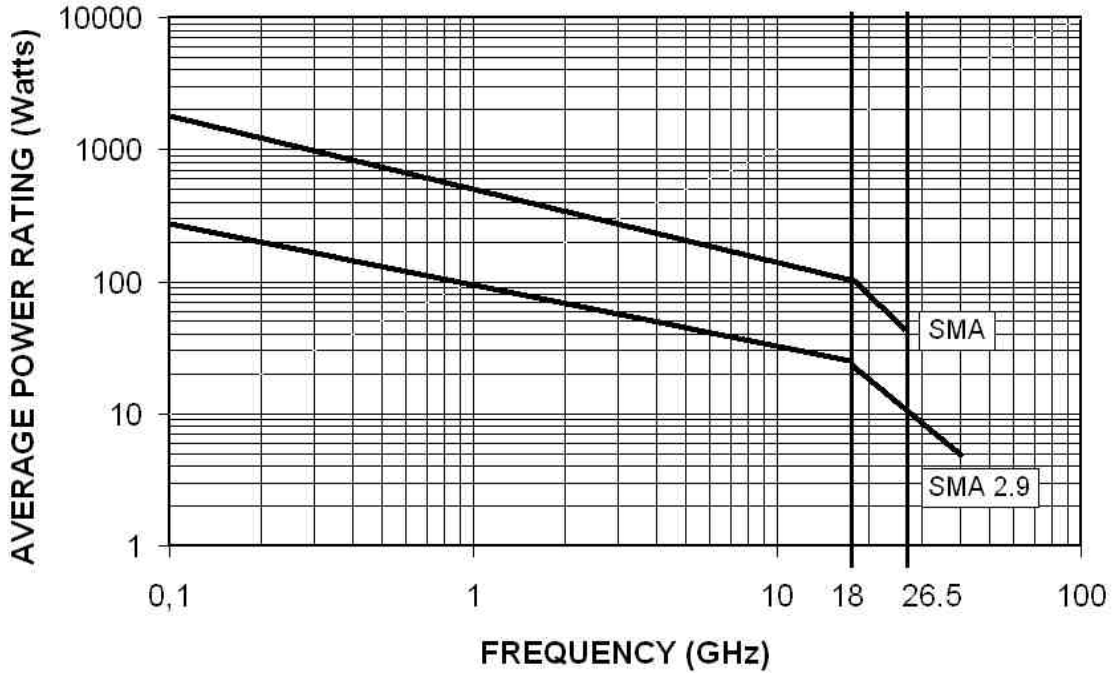
**Ways 1 and 4 are not connected for SP4T**



**POWER RATING CHART**

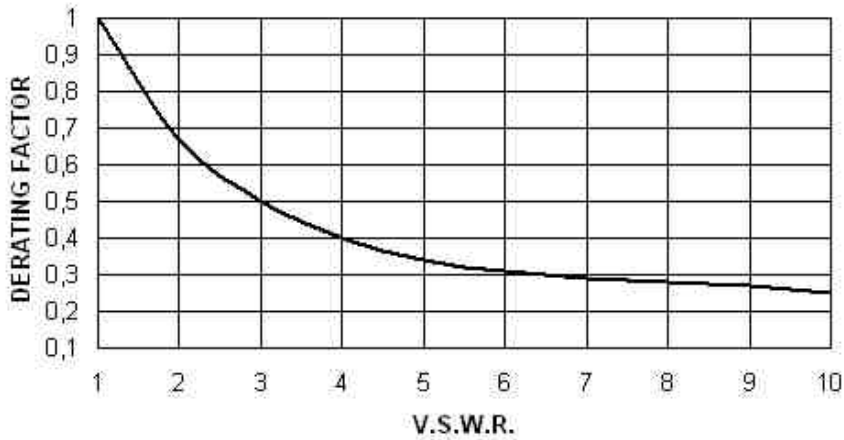
This graph is based on the following conditions :

- Ambient temperature : + 25°C
- Sea level
- V.S.W.R. : 1 and cold switching



**DERATING FACTOR VERSUS V.S.W.R.**

The average power input must be reduced for load V.S.W.R. above 1.







Компания «ЭлектроПласт» предлагает заключение долгосрочных отношений при поставках импортных электронных компонентов на взаимовыгодных условиях!

Наши преимущества:

- Оперативные поставки широкого спектра электронных компонентов отечественного и импортного производства напрямую от производителей и с крупнейших мировых складов;
- Поставка более 17-ти миллионов наименований электронных компонентов;
- Поставка сложных, дефицитных, либо снятых с производства позиций;
- Оперативные сроки поставки под заказ (от 5 рабочих дней);
- Экспресс доставка в любую точку России;
- Техническая поддержка проекта, помощь в подборе аналогов, поставка прототипов;
- Система менеджмента качества сертифицирована по Международному стандарту ISO 9001;
- Лицензия ФСБ на осуществление работ с использованием сведений, составляющих государственную тайну;
- Поставка специализированных компонентов (Xilinx, Altera, Analog Devices, Intersil, Interpoint, Microsemi, Aeroflex, Peregrine, Syfer, Eurofarad, Texas Instrument, Miteq, Cobham, E2V, MA-COM, Hittite, Mini-Circuits, General Dynamics и др.);

Помимо этого, одним из направлений компании «ЭлектроПласт» является направление «Источники питания». Мы предлагаем Вам помощь Конструкторского отдела:

- Подбор оптимального решения, техническое обоснование при выборе компонента;
- Подбор аналогов;
- Консультации по применению компонента;
- Поставка образцов и прототипов;
- Техническая поддержка проекта;
- Защита от снятия компонента с производства.



#### Как с нами связаться

**Телефон:** 8 (812) 309 58 32 (многоканальный)

**Факс:** 8 (812) 320-02-42

**Электронная почта:** [org@eplast1.ru](mailto:org@eplast1.ru)

**Адрес:** 198099, г. Санкт-Петербург, ул. Калинина, дом 2, корпус 4, литера А.