



Limitless™ Wireless
Global Limit Switches
WGLA Series



Limitless™ WGLA Series Wireless Global Limit Switch

The Limitless™ product line combines the best of MICRO SWITCH™ global limit switches with the latest commercial off-the-shelf wireless technology. Wireless enabled limit switches can be used for position sensing and presence/absence detection for a vast number of applications.

The Limitless™ Series is especially beneficial for remote monitoring applications where wiring or wire maintenance is not physically possible or economically feasible. Combining this greater flexibility with proven harsh duty packaging can result in increased efficiencies and improved protection for machines, equipment, OEMs, and operators.

What makes our wireless solutions better?

- Enables control and/or position notification in remote parts of machinery or manufacturing plants, where wiring is too costly or not possible
- Provides the ability to reconfigure and network multiple interfaces, or point-to-point with unique addresses which allows for adding, subtracting, or relocating Limitless™ inputs with ease
- Lowers installation/maintenance costs by removing the need to wire Limitless™ switches making conduit, strain relief, clips, connectors, and junction boxes unnecessary
- May decrease issues with wire connection integrity and cable degradation on moving equipment



INDUSTRY STANDARD
VALUE • RELIABLE

Features and Benefits

WIRELESS DESIGN

Radio (license-free and global): WPAN 802.15.4, 2.4 GHz, point-to-point to deliver **reliable, flexible, and secure wireless transmission**. Enables control and monitoring from remote locations where wiring is too costly or not practical (up to 305 m [1000 ft]).

SEALED FOR HARSH ENVIRONMENTS

The WGLA Series features **IP67, NEMA 1, 4, 12, and 13 sealing**. Sealed zinc die-cast and powder coated enclosure designed to meet the common dimensions and characteristics defined in **EN50041** for easy installation and compatibility with other products in the field.

Range of 305 m [1000 ft]

REMOTE CONTROL AND MONITORING

Enables users to monitor and/or control equipment, access points, and presence/absence detection in remote locations where wiring is too costly or impractical to install. The WGLA Series consumes ultra-low power to prolong battery life and has **direct or remote mounted antenna options**.

Consumes ultra-low power to prolong battery life

DESIGN OPTIONS

Actuator heads can be **rotated in 90° increments** to allow for flexibility in applications. Multiple actuators can also be applied to any side rotary WGLA Limitless™ switch.

CONFIGURABILITY

Able to configure multiple WGLA options which easily allows for adding, removing, or relocating Limitless™ WGLA switches. Helps to eliminate issues with wire connection integrity on moving equipment.

MINIMIZES COSTS

Minimizes installation/maintenance costs with no wires, conduit, strain relief, clips, connectors, or connection boxes to install or maintain.

Potential Applications

with elements of control, notification, and/or setup



- Valve position
- Crane boom/jib/skew position
- Lifts
- Material handling
- Presses
- CNC equipment
- Construction/Agricultural equipment
- Movable machinery
- Door position
- Hose attachment verification
- Remote or temporary equipment

Table 1. Specifications

| Characteristic | Parameter |
|--------------------------------|---|
| Series name | WGLA Series |
| Product type | Limitless™ Wireless Global Limit Switches |
| Availability | global, license-free bands |
| Operating force | see specification tables on page 6-7 |
| Actuator | side rotary, top plunger, top roller, top roller lever |
| Lever type | rotary lever included with side rotary – other lever options available |
| Housing material | powder coated zinc die-cast |
| Housing type | EN 50041 |
| Radio | WPAN 802.15.4; 2.4GHz point-to-point |
| Antenna type | direct or remote mount antenna options; omni directional |
| Signal range* | nominal 304 m* for International use (Europe and Australia due to signal restrictions); Nominal 1000 ft* for use in US and Canada |
| Battery | 3.6 Vdc Lithium Thionyl Chloride; 2/3 AA size (Est. life >1yr) Manufactured by Green Energy, part number ER14335M. Honeywell part number: WTB1 |
| Sealing | IP67; NEMA 1, 4, 12, 13 |
| EMC | latest applicable standards: EN 300 328, V1.7.1; EN 61326-1 (2006) |
| Shock | IEC 60068-2-27; half sine, 10 g, 6 mS, 3 axis |
| Vibration | IEC 60068-2-6; 10-500Hz with 0,35 mm peak-to-peak, 58 Hz to 500 Hz - 5g |
| Operating temperature | -40 °C to 85 °C [-40 °F to 185 °F] (side rotary) -25 °C to 85 °C [-13 °F to 185 °F] (all other housing styles) |
| Agency approvals and standards | FCC 15.247 Industry Canada RSS 210 ETSI, CE mark ACMA, C-Tick mark IDA, Singapore COFETEL, Mexico KCC, South Korea ANATEL, Brazil SRRRC, China WPC, India |
| UNSPSC code | 20142601 |
| UNSPSC commodity | 20142601 |
| Sealed | Industrial |

*Actual range will vary depending upon antennas, cables, and site topography.

** **“Clear line of sight”** is not required to utilize the Limitless™ technology and thus testing in the actual application will determine suitability.

Limitless™ Wireless Global Limit Switches





PRODUCT NOMENCLATURE

| WGLA | 1 | A | 00 | A | A | 1 | A | 3 |
|---|--------------------|---------------------------------|---|---|---|--|--|---|
| Switch type | Gen Code | RF Code | Antenna type code* | Country use code | Operating head code | Lever code ⁴ | Roller code mm[in] | Modification code |
| WGLA Series Wireless Global Limit Switch | 1 Version 1 | A 2.4 GHz; IEEE 802.15.4 | 00 No antenna; RP-SMA connector jack | A US, Canada, Mexico B All other approved countries ^{1, 2, 3} | A Side rotary, momentary B Top pin plunger C Top roller plunger D Top roller lever | Not applicable 1 Standard fixed length 2 Adjustable roller 3 Yoke roller 4 Adjustable rod 5 Offset | Not applicable A 19 x 6.35 [0.75 x 0.25] nylon B 19 x 6.35 [0.75 x 0.25] steel D 38.1 x 6.35 [1.5 x 0.25] nylon J 200 [7.87] aluminum adjustable rod K 140 [5.51] aluminum adjustable rod N 318 [12.5] stainless steel adjustable rod T 19 x 8.76 [0.75 x 0.345] stainless steel W 40.0 x 12.7 [1.5 x 0.5] rubber Y 50.9 x 12.7 [2.0 x 0.5] rubber | Not applicable 3 Head assembled with actuator to right side 4 Head assembled with actuator to left side 5 Head assembled with actuator to mounting surface 6 Roller perpendicular to mounting surface |
| | | | 01 2.2 dBi omni w/switch mount; straight design 02 2.2 dBi omni w/switch mount; tilt/swivel 03 3.0 dBi omni w/remote adhesive mount 9.8 ft cable 04 5.5 dBi omni w/remote mag. mount, tilt/swivel, 5 ft cable 05 5.5 dBi omni w/remote mag. mount, tilt/swivel, 10 ft cable 06 9.0 dBi omni w/remote mag. mount, tilt/swivel 5 ft cable 07 9.0 dBi omni w/remote mag. mount, tilt/swivel 10 ft cable 08 8.0 dBi omni w/remote bkt. mount, str. design 3 ft cable 09 8.0 dBi omni w/remote bkt. mount, str. design 11 ft cable 10 2.2 dBi omni w/remote mag. mount, tilt/swivel 10 ft cable 11 0 dBi omni w/switch mount; straight design | ¹ Use with antenna type codes 00 - 03, 05, 10, 11 only; usage also allowed in Country Code A. ² Some countries require specific communication certifications. Contact Honeywell for existing certification information. ³ If Limitless™ devices are used on machinery that may shipped globally, use country code "B". | | ⁴ Additional levers available | | |

* See Table 3 for additional information.

WGLA Series

Table 2. Limitless™ WGLA Series Order Guide

| | Part Number* | Antenna Type | Action | Actuator/Lever |
|---|-----------------------|--|-------------------------|---|
|  | WGLA1A01 A A1A | 2.2 dBi omni straight | side rotary - momentary | 19 mm x 6,35 mm [0.75 in x 0.25 in], nylon roller |
| | WGLA1A01 A A1B | 2.2 dBi omni straight | side rotary - momentary | 19 mm x 6,35 mm [0.75 in x 0.25 in], steel roller |
| | WGLA1A01 A A4J | 2.2 dBi omni straight | side rotary - momentary | 200 mm aluminum adjustable rod |
| | WGLA1A01 A B | 2.2 dBi omni straight | top pin plunger | – |
| | WGLA1A01 A C | 2.2 dBi omni straight | top roller plunger | – |
| | WGLA1A01 A D | 2.2 dBi omni straight | top roller lever | – |
|  | WGLA1A02 A A1A | 2.2 dBi omni tilt & swivel | side rotary - momentary | 19 mm x 6,35 mm [0.75 in x 0.25 in], nylon roller |
| | WGLA1A02 A A1B | 2.2 dBi omni tilt & swivel | side rotary - momentary | 19 mm x 6,35 mm [0.75 in x 0.25 in], steel roller |
| | WGLA1A02 A A4J | 2.2 dBi omni tilt & swivel | side rotary - momentary | 200 mm aluminum adjustable rod |
| | WGLA1A02 A B | 2.2 dBi omni tilt & swivel | top pin plunger | – |
| | WGLA1A02 A C | 2.2 dBi omni tilt & swivel | top roller plunger | – |
| | WGLA1A02 A D | 2.2 dBi omni tilt & swivel | top roller lever | – |
|  | WGLA1A04 A A1A | 5.5 dBi omni w/ remote magnetic mount, tilt & swivel, 5 ft cable | side rotary - momentary | 19 mm x 6,35 mm [0.75 in x 0.25 in], nylon roller |
| | WGLA1A04 A A1B | 5.5 dBi omni w/ remote magnetic mount, tilt & swivel, 5 ft cable | side rotary - momentary | 19 mm x 6,35 mm [0.75 in x 0.25 in], steel roller |
| | WGLA1A04 A A4J | 5.5 dBi omni w/ remote magnetic mount, tilt & swivel, 5 ft cable | side rotary - momentary | 200 mm aluminum adjustable rod |
| | WGLA1A04 A B | 5.5 dBi omni w/ remote magnetic mount, tilt & swivel, 5 ft cable | top pin plunger | – |
| | WGLA1A04 A C | 5.5 dBi omni w/ remote magnetic mount, tilt & swivel, 5 ft cable | top roller plunger | – |
| | WGLA1A04 A D | 5.5 dBi omni w/ remote magnetic mount, tilt & swivel, 5 ft cable | top roller lever | – |
|  | WGLA1A11 A A1A | 0.0 dBi omni, straight | side rotary - momentary | 19 mm x 6,35 mm [0.75 in x 0.25 in], nylon roller |
| | WGLA1A11 A A1B | 0.0 dBi omni, straight | side rotary - momentary | 19 mm x 6,35 mm [0.75 in x 0.25 in], steel roller |
| | WGLA1A11 A A4J | 0.0 dBi omni, straight | side rotary - momentary | 200 mm aluminum adjustable rod |
| | WGLA1A11 A B | 0.0 dBi omni, straight | top pin plunger | – |
| | WGLA1A11 A C | 0.0 dBi omni, straight | top roller plunger | – |

* To order products approved for use outside of the US/Canada/Mexico (**A** code), simply substitute the appropriate letter after reviewing the product approvals and antenna guidelines contained in this document.

B = All other approved countries

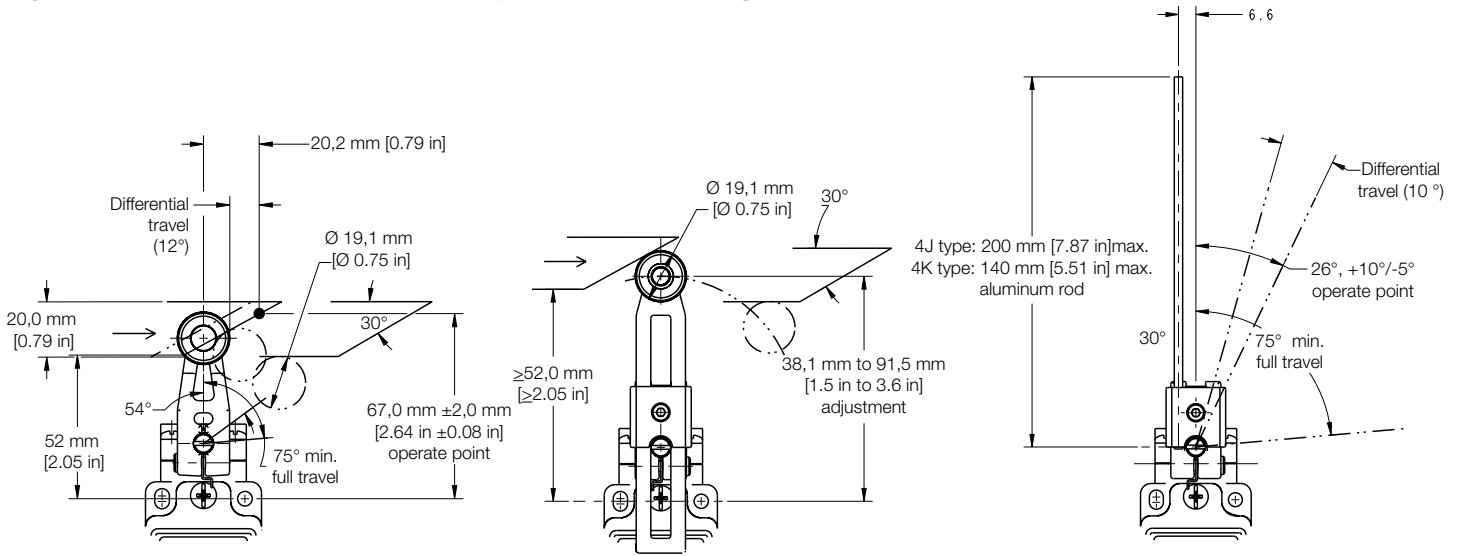
Limitless™ Wireless Global Limit Switches

| | Operating Force, Refer to Figure(s) | Pretravel | Overtravel | Differen- tial Travel | Operating Point | Free Position |
|--|--|----------------------|---------------------|--------------------------|---|----------------------|
| | 1 | 26° +10°/-5° | 75° | 12° | 67,0 mm ±2,0 mm [2.64 in ±0.08 in] | – |
| | 1 | 26° +10°/-5° | 75° | 12° | 67,0 mm ±2,0 mm [2.64 in ±0.08 in] | – |
| | 1 | 26° +10°/-5° | 75° | 12° | 26° +10°/-5° | – |
| | 2 | 2,5 mm [0.10 in] | 7,0 mm [0.28 in] | 0,9 mm [0.035 in] | 35,0 mm ±1,5 mm [1.38 in ±0.06 in] | 37,5 mm [1.48 in] |
| | 2, 3 | 2,5 mm [0.10 in] | 7,0 mm [0.28 in] | 0,9 mm [0.035 in] | 48,0 mm ±1,5 mm [1.89 in ±0.06 in] (linear actuation) 58,0 mm ±2,0 mm [2.28 in ±0.08 in] (cam actuation) | 50,5 mm [2.00 in] |
| | 4, 5 | 4,2 mm [0.165 in] | 9,0 mm [0.35 in] | 3,0 mm [0.012 in] | 61,0 mm ±1,5 mm [2.40 in ±0.06 in] (pin actuation) 67,0 mm ±2,0 mm [2.64 in ±0.08 in] (cam actuation) | 65,2 mm [2.57 in] |
| | 1 | 26° +10°/-5° | 75° | 12° | 67,0 mm ±2,0 mm [2.64 in ±0.08 in] | – |
| | 1 | 26° +10°/-5° | 75° | 12° | 67,0 mm ±2,0 mm [2.64 in ±0.08 in] | – |
| | 1 | 26° +10°/-5° | 75° | 12° | 26° +10°/-5° | – |
| | 2 | 2,5 mm [0.10 in] | 7,0 mm [0.28 in] | 0,9 mm [0.035 in] | 35,0 mm ±1,5 mm [1.38 in ±0.06 in] | 37,5 mm [1.48 in] |
| | 2, 3 | 2,5 mm [0.10 in] | 7,0 mm [0.28 in] | 0,9 mm [0.035 in] | 48,0 mm ±1,5 mm [1.89 in ±0.06 in] (linear actuation) 58,0 mm ±2,0 mm [2.28 in ±0.08 in] (cam actuation) | 50,5 mm [2.00 in] |
| | 4, 5 | 4,2 mm [0.165 in] | 9,0 mm [0.35 in] | 3,0 mm [0.012 in] | 61,0 mm ±1,5 mm [2.40 in ±0.06 in] (pin actuation) 67,0 mm ±2,0 mm [2.64 in ±0.08 in] (cam actuation) | 65,2 mm [2.57 in] |
| | 1 | 26° +10°/-5° | 75° | 12° | 67,0 mm ±2,0 mm [2.64 in ±0.08 in] | – |
| | 1 | 26° +10°/-5° | 75° | 12° | 67,0 mm ±2,0 mm [2.64 in ±0.08 in] | – |
| | 1 | 26° +10°/-5° | 75° | 12° | 26° +10°/-5° | – |
| | 2 | 2,5 mm [0.10 in] | 7,0 mm [0.28 in] | 0,9 mm [0.035 in] | 35,0 mm ±1,5 mm [1.38 in ±0.06 in] | 37,5 mm [1.48 in] |
| | 2, 3 | 2,5 mm [0.10 in] | 7,0 mm [0.28 in] | 0,9 mm [0.035 in] | 48,0 mm ±1,5 mm [1.89 in ±0.06 in] (linear actuation) 58,0 mm ±2,0 mm [2.28 in ±0.08 in] (cam actuation) | 50,5 mm [2.00 in] |
| | 4, 5 | 4,2 mm [0.165 in] | 9,0 mm [0.35 in] | 3,0 mm [0.012 in] | 61,0 mm ±1,5 mm [2.40 in ±0.06 in] (pin actuation) 67,0 mm ±2,0 mm [2.64 in ±0.08 in] (cam actuation) | 65,2 mm [2.57 in] |
| | 1 | 26° +10°/-5° | 75° | 12° | 67,0 mm ±2,0 mm [2.64 in ±0.08 in] | – |
| | 1 | 26° +10°/-5° | 75° | 12° | 67,0 mm ±2,0 mm [2.64 in ±0.08 in] | – |
| | 1 | 26° +10°/-5° | 75° | 12° | 26° +10°/-5° | – |
| | 2 | 2,5 mm [0.10 in] | 7,0 mm [0.28 in] | 0,9 mm [0.035 in] | 35,0 mm ±1,5 mm [1.38 in ±0.06 in] | 37,5 mm [1.48 in] |
| | 2, 3 | 2,5 mm [0.10 in] | 7,0 mm [0.28 in] | 0,9 mm [0.035 in] | 48,0 mm ±1,5 mm [1.89 in ±0.06 in] (linear actuation) 58,0 mm ±2,0 mm [2.28 in ±0.08 in] (cam actuation) | 50,5 mm [2.00 in] |

WGLA Series

OPERATING FORCE DIAGRAMS

Figure 1. Limitless™ WGLA Series Side Rotary Heads • Cam and Angular Actuation



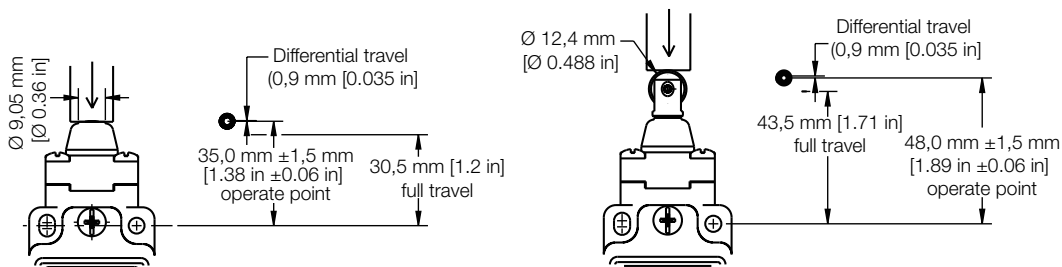
Limitless™ WGLA side rotary heads, cam actuation (no rod lever)

Maximum operating force: 9,7 N [2.2 lb]
 Maximum disconnect force: 11,4 N [2.6 lb]
 Maximum operating velocity: 85 m/s [33.5 in/s]
 Minimum operating velocity: 8,5 mm/s [0.33 in/s]
 Maximum operating frequency: 120 ops/minute

Limitless™ WGLA side rotary heads, angular actuation

Maximum operating torque/force: 0,33 Nm [2.9 in-lb]
 Maximum disconnect torque: 0,385 Nm [3.4 in-lb]
 Maximum operating degrees: 1290
 Minimum operating degrees: 13
 Maximum operating frequency: 120 ops/minute

Figure 2. Limitless™ WGLA Series Plunger Heads • Linear Actuation



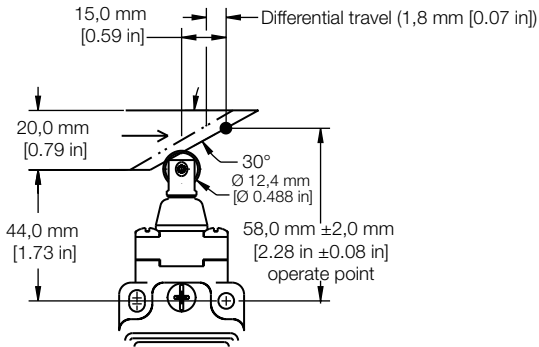
Limitless™ WGLA plunger heads, linear actuation

Maximum operating force: 16 N [3.6 lb]
 Maximum disconnect force: 27 N [6.0 lb]
 Maximum operating velocity: 0,1 m/s [3.9 in/s]
 Minimum operating velocity: 1,0 mm/s [0.04 in/s]
 Maximum operating frequency: 120 ops/minute

Limitless™ Wireless Global Limit Switches

OPERATING FORCE DIAGRAMS

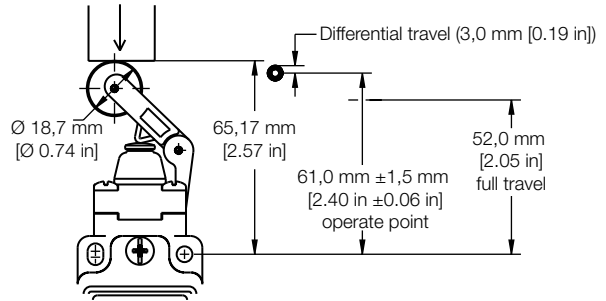
Figure 3. Limitless™ WGLA Series Top Roller Plunger Head • Cam Actuation



Limitless™ WGLA top roller plunger head, cam actuation

- Maximum operating force: 9,3 N [2.1 lb]
- Maximum disconnect force: 15,6 N [3.5 lb]
- Maximum operating velocity: 0,17 m/s [6.7 in/s]
- Minimum operating velocity: 1,7 mm/s [0.067 in/s]
- Maximum operating frequency: 120 ops/minute

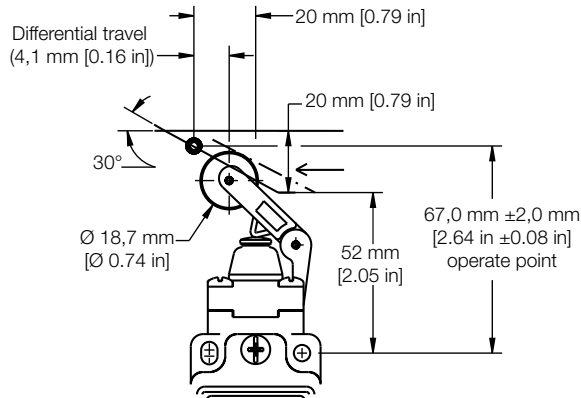
Figure 4. Limitless™ WGLA Series Top Roller lever Head • Pin Actuation



Limitless™ WGLA top roller lever head, pin actuation

- Maximum operating force: 9,5 N [2.1 lb]
- Maximum disconnect force: 12 N [2.7 lb]
- Maximum operating velocity: 0,17 m/s [6.7 in/s]
- Minimum operating velocity: 1,7 mm/s [0.067 in/s]
- Maximum operating frequency: 120 ops/minute

Figure 5. Limitless™ WGLA Series Top Lever Head • Cam Actuation



Limitless™ WGLA top roller lever head, cam actuation

- Maximum operating force: 5,5 N [1.2 lb]
- Maximum disconnect force: 7,0 N [1.6 lb]
- Maximum operating velocity: 0,29 m/s [11.4 in/s]
- Minimum operating velocity: 2,9 mm/s [0.11 in/s]
- Maximum operating frequency: 120 ops/minute

WGLA Series

PRODUCT DIMENSIONS

Figure 6. Limitless™ WGLA Series Side Rotary/1.5 in lever

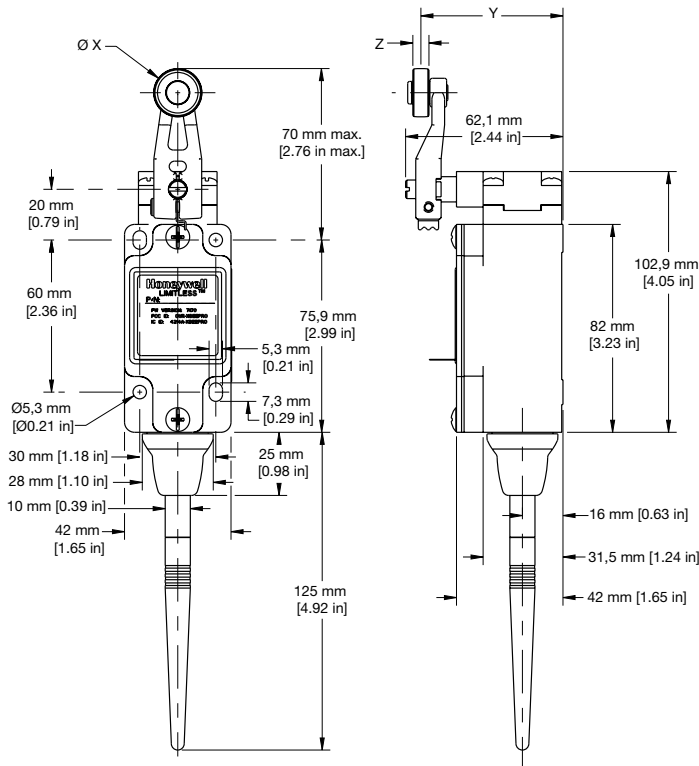


Figure 7. Limitless™ WGLA Series Side Rotary/adjust. lever

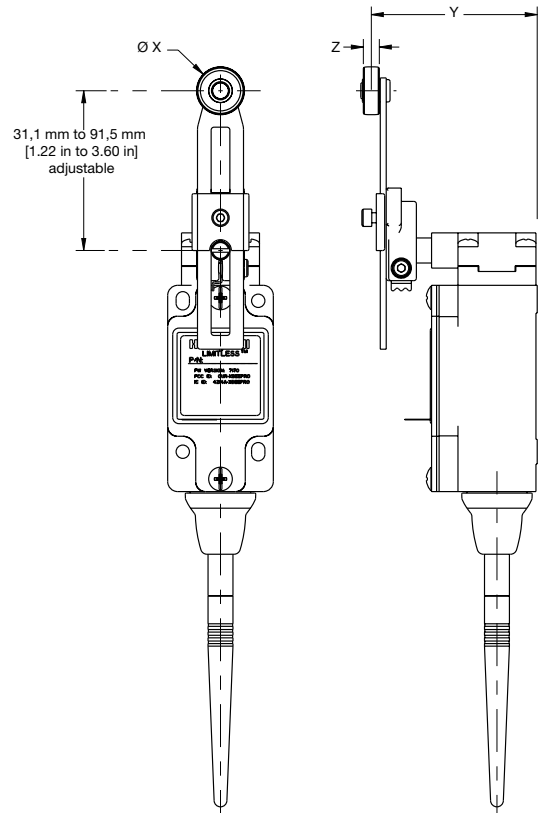


Figure 6. Specification Table (refer to Figure 6 above)

| Lever | Roller Material | X Dim. | Y Dim. | Z Dim. |
|--------|-----------------|-------------------|-------------------|-------------------|
| GLZ51A | Nylon | 19,1 mm [0.75 in] | 55,9 mm [2.20 in] | 6,4 mm [0.25 in] |
| GLZ51B | Steel | 19,1 mm [0.75 in] | 55,9 mm [2.20 in] | 6,4 mm [0.25 in] |
| GLZ51T | Stainless steel | 19,1 mm [0.75 in] | 56,8 mm [2.24 in] | 8,8 mm [0.35 in] |
| GLZ51Y | Rubber | 50 mm [1.97 in] | 66,1 mm [2.60 in] | 10,0 mm [0.39 in] |

Figure 7. Specification Table (refer to Figure 7 above)

| Lever | Roller Material | X Dim. | Y Dim. | Z Dim. |
|--------|-----------------|-------------------|-------------------|-------------------|
| GLZ52A | Nylon | 19,1 mm [0.75 in] | 65,9 mm [2.59 in] | 6,4 mm [0.25 in] |
| GLZ52B | Steel | 19,1 mm [0.75 in] | 65,9 mm [2.59 in] | 6,4 mm [0.25 in] |
| GLZ52D | Nylon | 38,1 mm [1.5 in] | 65,9 mm [2.59 in] | 6,4 mm [0.25 in] |
| GLZ52E | Nylon | 19,1 mm [0.75 in] | 79,4 mm [3.13 in] | 33,1 mm [1.30 in] |
| GLZ52W | Rubber | 40 mm [1.57 in] | 71,5 mm [2.81 in] | 12,7 mm [0.50 in] |
| GLZ52Y | Rubber | 50 mm [1.97 in] | 68,8 mm [2.71 in] | 10,0 mm [0.39 in] |

Limitless™ Wireless Global Limit Switches

Figure 8. Limitless™ WGLA Series Side Rotary/Adjustable Rod Lever

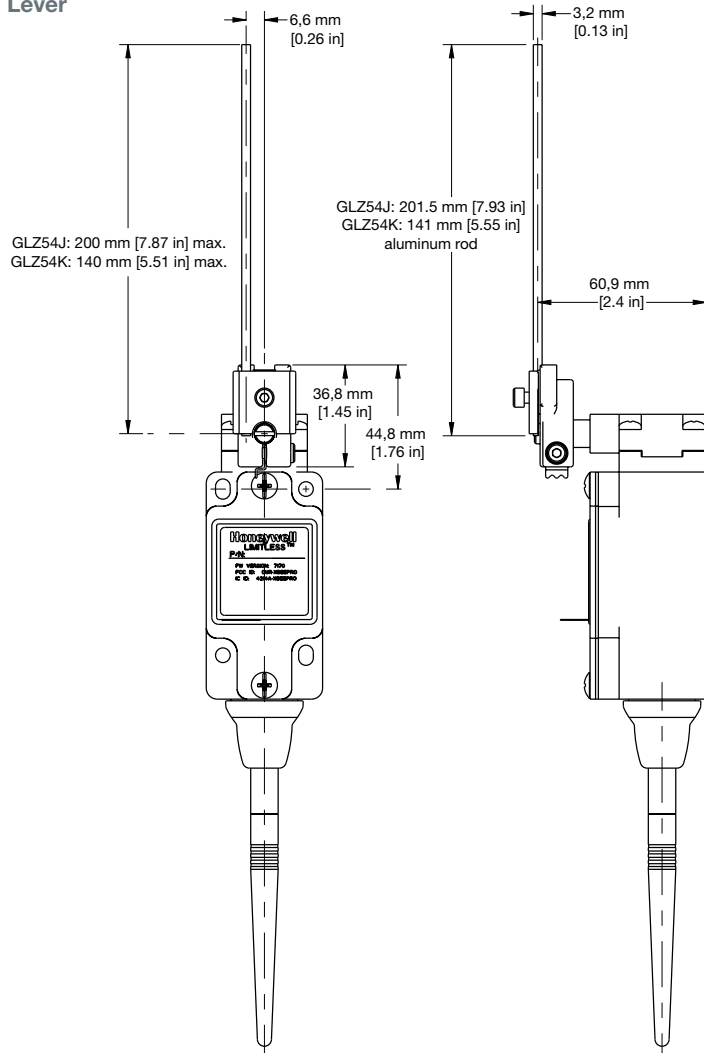
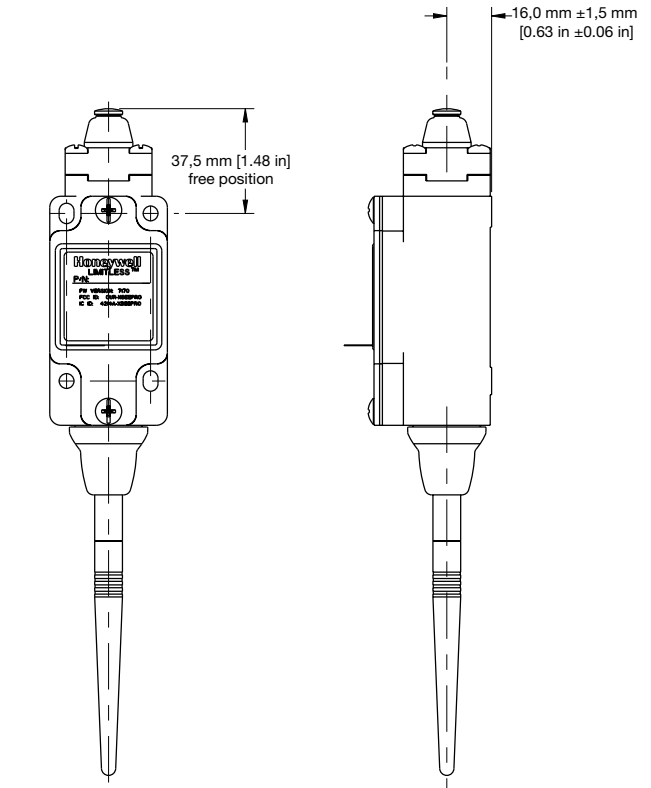


Figure 9. Limitless™ WGLA Series Top Plunger



WGLA Series

Figure 10. Limitless™ WGLA Series Top Roller Plunger

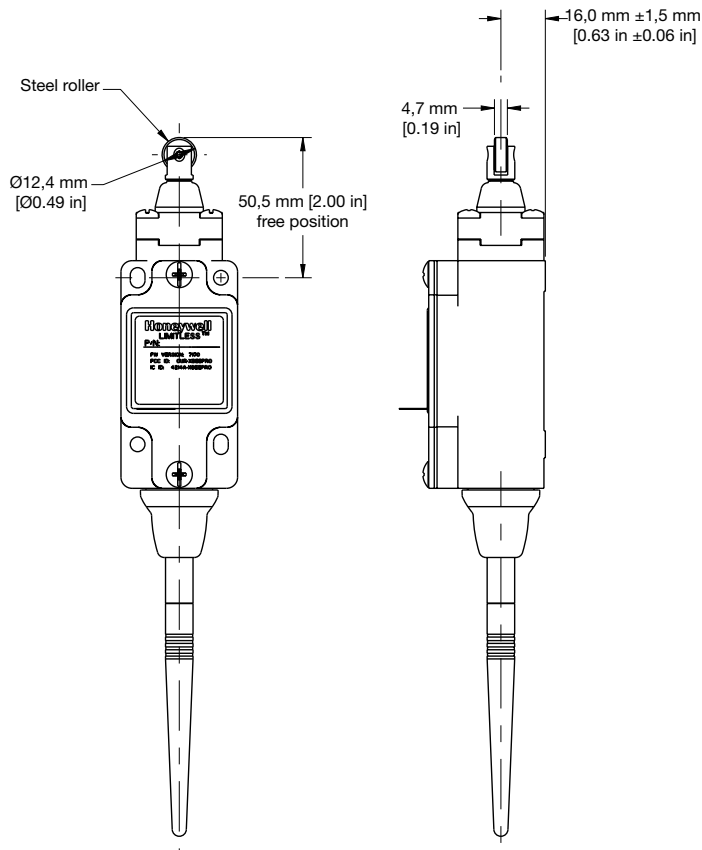
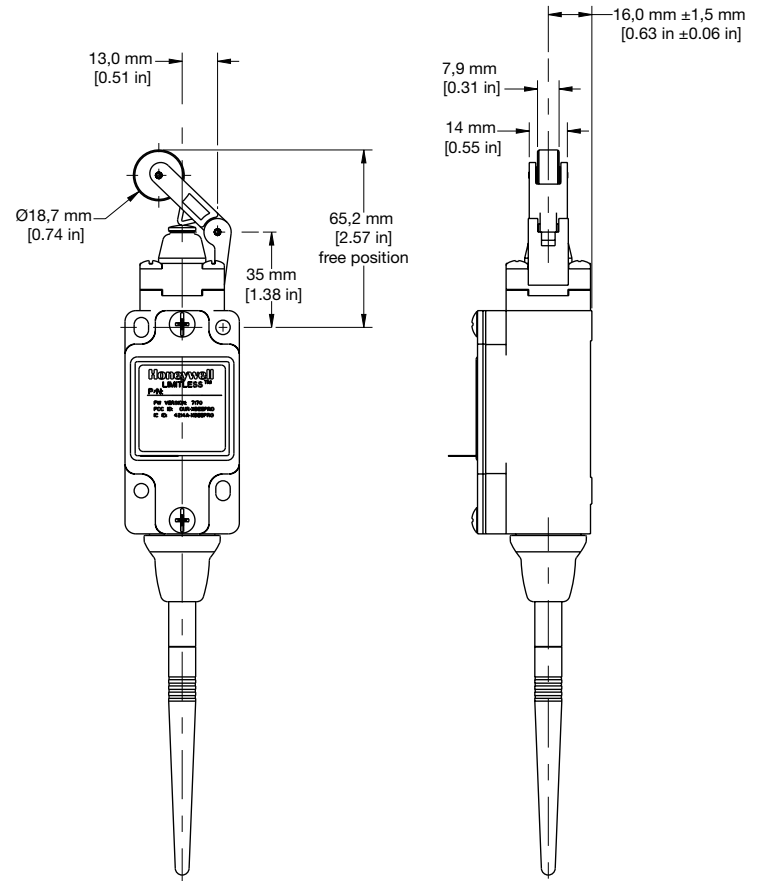












Figure 11. Limitless™ WGLA Series Top Roller Arm



Limitless™ Wireless Global Limit Switches

Table 3. Antenna Listings/Order Code Specifications

Antennas can be ordered with the Limitless™ Wireless switches by inserting the **Antenna Type Code** into the part number as shown in the nomenclature. Also, switches can be ordered without antennas, by using the “00” Antenna Type Code in the part number. Antennas may also be ordered separately using the **Part Numbers** below.

| | Part Number (if ordered separately) | Antenna Type Code (if ordered with a wireless switch) | | Antenna Design | Antenna Gain (dBi) | Connector/ Mounting | Dimensions |
|---|--|--|--|-------------------------------|--------------------|-----------------------------|--|
|  | WAN01RSP | 01 | | straight | 2.2 | RP-SMA plug/direct mount | Ø 9,91 mm x 112,78 mm L [Ø 0.39 in x 4.44 in L] |
|  | WAN02RSP | 02 | | tilt/swivel | 2.2 | RP-SMA plug/direct mount | Ø 9,91 mm x 112,78 mm L [Ø 0.39 in x 4.44 in L] |
|  | WAN03RSP | 03 | | flat | 3.0 | RP-SMA plug/adhesive mount | Ø 7,87 mm x 22,1 mm W x 4,57 mm D [Ø 0.31 in x 0.87 in W x 0.18 in D] 3 m [9 ft] cable |
|  | WAN04RSP* | 04** with a WAMM100RSP-005 base with 1,52 m [5 ft] of cable | 05** with a WAMM100RSP-010 base with 3,05 m [10 ft] of cable | tilt/swivel | 5.5 | RP-SMA plug/direct mount | Ø 12,7 mm x 208,28 mm L [Ø 0.50 in x 8.20 in L] |
|  | WAN05RSP* | 06** with a WAMM100RSP-005 base with 1,52 m [5 ft] of cable | 07** with a WAMM100RSP-010 base with 3,05 m [10 ft] of cable | tilt/swivel | 9.0 | RP-SMA plug/direct mount | Ø 12,7 mm x 384,05 mm L [Ø 0.50 in x 15.12 in L] |
|  | WAN06RNJ* | 08** with a WCA200RNPRSP-002 coax cable assembly 0,682 m [2 ft] | 09** with a WCA200RNPRSP-010 coax cable assembly 3,05 m [10 ft] | straight | 8.0 | RP-N jack/ bracket | Ø 33,5 mm x 427,9 mm L [Ø 1.32 in x 16.85 in L] |
|  | WAN07RSP | 11 | | straight | 0.0 | RP-SMA plug/direct mount | Ø 8,0 mm x 30 mm L [Ø 0.32 in x 1.18 in L] |
|  | WAN09RSP | - | | low profile mobile | 3.0 | RP-SMA plug/magnetic | Ø 76,2 mm x 115 mm L [Ø 3.0 in x 4.54 in L] 4,57 m [15 ft] cable |
|  | WAN10RSP | - | | straight | 5.0 | RP-SMA plug/magnetic | Ø 76,2 mm x 230,1 mm L [Ø 3.0 in x 9.06 in L] 1,52 m [5 ft] cable |
|  | WAN11RSP* | - | | low profile mobile dome | 4.0 | RP-SMA plug/thru-hole screw | Ø 39 mm x 42,4 mm L [Ø 1.54 in x 1.67 in L] |

* Not allowed for use with Country Code “B” Limitless™ products

** See Tables 4 and 5 for accessory descriptions

WGLA Series

ACCESSORIES

Table 4. Cable and Coax Accessories












| | Listing | Description |
|---|------------------|--|
|  | WCA200RNPRSP-002 | Limitless™ Series wireless cable assembly wth 200 Series cable, 2 ft length, reverse polarity N plug to reverse polarity SMA plug, use only with WAN06RNJ antenna |
|  | WCA200RNPRSP-010 | Limitless™ Series wireless cable assembly wth 200 Series cable, 10 ft length, reverse polarity N plug to reverse polarity SMA plug, use only with WAN06RNJ antenna |
|  | WCA200RNJRSP-002 | Limitless™ Series wireless cable assembly wth 200 Series cable, 2 ft length, reverse polarity SMA jack to reverse polarity SMA plug |
|  | WCA200RNJRSP-005 | Limitless™ Series wireless cable assembly wth 200 Series cable, 5 ft length, reverse polarity SMA jack to reverse polarity SMA plug |
|  | WCA200RNJRSP-010 | Limitless™ Series wireless cable assembly wth 200 Series cable, 10 ft length, reverse polarity SMA jack to reverse polarity SMA plug |
|  | WCA200RNJRSP-015 | Limitless™ Series wireless cable assembly wth 200 Series cable, 15 ft length, reverse polarity SMA jack to reverse polarity SMA plug |
|  | WCA200RNJRSP-020 | Limitless™ Series wireless cable assembly wth 200 Series cable, 20 ft length, reverse polarity SMA jack to reverse polarity SMA plug |

Table 5. Base Accessories

| | Listing | Description |
|---|----------------|---|
|  | WAMM100RSP-005 | Magnetic antenna base with 5 ft [1.52 m] of cable with reverse polarity SMA plug |
|  | WAMM100RSP-010 | Magnetic antenna base with 10 ft [3.05 m] of cable with reverse polarity SMA plug |
|  | WPB1 | WPMM wireless panel-mount receiver mounting bracket |
|  | WPR1 | WPMM wireless panel-mount receiver retainer |

Limitless™ Wireless Global Limit Switches

LIMITLESS™ ACCESSORIES: WGLA SERIES LEVERS



WGLA Series

This Honeywell datasheet supports the following Limitless™ WGLA Series Listings

For use in US, Canada, and Mexico

WGLA1A00AA
WGLA1A00AA4J
WGLA1A00AB
WGLA1A00AC
WGLA1A00AD
WGLA1A01AA1A
WGLA1A01AA1B
WGLA1A01AA4J
WGLA1A01AB
WGLA1A01AC
WGLA1A01AD
WGLA1A02AA1A
WGLA1A02AA1B
WGLA1A02AA1T
WGLA1A02AA2B
WGLA1A02AA3B
WGLA1A02AA4J
WGLA1A02AB
WGLA1A02AC
WGLA1A02AD
WGLA1A04AA1A
WGLA1A04AA1B
WGLA1A04AA4J
WGLA1A04AB

WGLA1A04AC
WGLA1A06AA4N
WGLA1A11AA1A
WGLA1A11AA1B
WGLA1A11AA4J
WGLA1A11AB
WGLA1A11AC

For use in all other approved countries

WGLA1A00BA
WGLA1A00BA1B
WGLA1A00BA2B
WGLA1A00BA4J
WGLA1A00BB
WGLA1A00BC
WGLA1A00BD
WGLA1A01BA1A
WGLA1A01BA1B
WGLA1A01BA4J
WGLA1A01BA4N
WGLA1A01BB
WGLA1A01BC
WGLA1A01BD
WGLA1A02BA1A
WGLA1A02BA1B

WGLA1A02BA2B
WGLA1A02BA4J
WGLA1A02BB
WGLA1A02BC
WGLA1A02BD
WGLA1A04BA1A
WGLA1A04BA1B
WGLA1A04BA4J
WGLA1A04BB
WGLA1A04BC
WGLA1A11BA1A
WGLA1A11BA1B
WGLA1A11BA2B
WGLA1A11BB
WGLA1A11BC

WARNING

PERSONAL INJURY

DO NOT USE these products as safety or emergency stop devices or in any other application where failure of the product could result in personal injury.

Failure to comply with these instructions could result in death or serious injury.

WARNING

MISUSE OF DOCUMENTATION

- The information presented in this product sheet is for reference only. Do not use this document as a product installation guide.
- Complete installation, operation, and maintenance information is provided in the instructions supplied with each product.

Failure to comply with these instructions could result in death or serious injury.

ADDITIONAL INFORMATION

The following associated literature is available on the Honeywell web site at sensing.honeywell.com:

- Product installation instructions
- Product range guide
- Product brochure
- White Paper: Limitless™ Switches Offer Unlimited Benefits

WARRANTY/REMEDY

Honeywell warrants goods of its manufacture as being free of defective materials and faulty workmanship. Honeywell's standard product warranty applies unless agreed to otherwise by Honeywell in writing; please refer to your order acknowledgement or consult your local sales office for specific warranty details. If warranted goods are returned to Honeywell during the period of coverage, Honeywell will repair or replace, at its option, without charge those items it finds defective. **The foregoing is buyer's sole remedy and is in lieu of all other warranties, expressed or implied, including those of merchantability and fitness for a particular purpose. In no event shall Honeywell be liable for consequential, special, or indirect damages.**

While we provide application assistance personally, through our literature and the Honeywell website, it is up to the customer to determine the suitability of the product in the application.

Specifications may change without notice. The information we supply is believed to be accurate and reliable as of this printing. However, we assume no responsibility for its use.

Find out more

Honeywell serves its customers through a worldwide network of sales offices, representatives and distributors. For application assistance, current specifications, pricing or name of the nearest Authorized Distributor, contact your local sales office.

To learn more about Honeywell's sensing and control products, call **+1-815-235-6847** or **1-800-537-6945**, visit **sensing.honeywell.com**, or e-mail inquiries to **info.sc@honeywell.com**

Sensing and Control
Honeywell
1985 Douglas Drive North
Golden Valley, MN 55422
honeywell.com

The Honeywell logo is displayed in a bold, red, sans-serif font.



Компания «ЭлектроПласт» предлагает заключение долгосрочных отношений при поставках импортных электронных компонентов на взаимовыгодных условиях!

Наши преимущества:

- Оперативные поставки широкого спектра электронных компонентов отечественного и импортного производства напрямую от производителей и с крупнейших мировых складов;
- Поставка более 17-ти миллионов наименований электронных компонентов;
- Поставка сложных, дефицитных, либо снятых с производства позиций;
- Оперативные сроки поставки под заказ (от 5 рабочих дней);
- Экспресс доставка в любую точку России;
- Техническая поддержка проекта, помощь в подборе аналогов, поставка прототипов;
- Система менеджмента качества сертифицирована по Международному стандарту ISO 9001;
- Лицензия ФСБ на осуществление работ с использованием сведений, составляющих государственную тайну;
- Поставка специализированных компонентов (Xilinx, Altera, Analog Devices, Intersil, Interpoint, Microsemi, Aeroflex, Peregrine, Syfer, Eurofarad, Texas Instrument, Miteq, Cobham, E2V, MA-COM, Hittite, Mini-Circuits, General Dynamics и др.);

Помимо этого, одним из направлений компании «ЭлектроПласт» является направление «Источники питания». Мы предлагаем Вам помощь Конструкторского отдела:

- Подбор оптимального решения, техническое обоснование при выборе компонента;
- Подбор аналогов;
- Консультации по применению компонента;
- Поставка образцов и прототипов;
- Техническая поддержка проекта;
- Защита от снятия компонента с производства.



Как с нами связаться

Телефон: 8 (812) 309 58 32 (многоканальный)

Факс: 8 (812) 320-02-42

Электронная почта: org@eplast1.ru

Адрес: 198099, г. Санкт-Петербург, ул. Калинина, дом 2, корпус 4, литера А.