

2A Synchronous Buck Power MOSFET Driver

Features

- Dual Output MOSFET Driver for Synchronous Applications
- High Peak Output Current: 2A (typical)
- Adaptive Cross Conduction Protection
- Internal Bootstrap Blocking Device
- +36V BOOT Pin Maximum Rating
- Enhanced Light Load Efficiency Mode
- Low Supply Current: 80 μ A (typical)
- High Capacitive Load Drive Capability:
 - 3300 pF in 10 ns (typical)
- Tri-State PWM Pin for Power Stage Shutdown
- Input Voltage Undervoltage Lockout Protection
- Space Saving Packages:
 - 8-Lead SOIC
 - 8-Lead 3x3 DFN

Applications

- High Efficient Synchronous DC/DC Buck Converters
- High Current Low Output Voltage Synchronous DC/DC Buck Converters
- High Input Voltage Synchronous DC/DC Buck Converters
- Core Voltage Supplies for Microprocessors

General Description

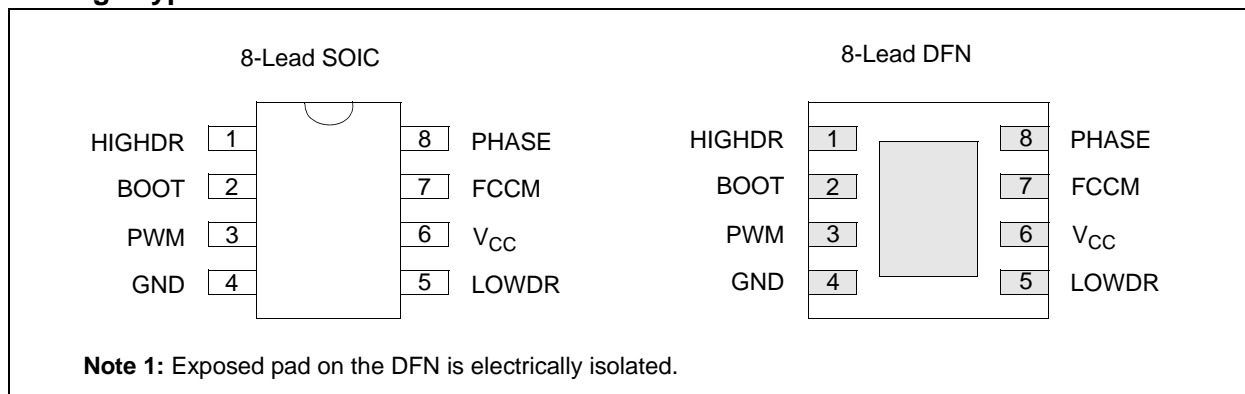
The MCP14628 is a dual MOSFET gate driver designed to optimally drive two N-Channel MOSFETs arranged in a non-isolated synchronous buck converter topology. With the capability to source 2A peaks typically from both the high-side and low-side drives, the MCP14628 is an ideal companion to buck controllers that lack integrated gate drivers. Additionally, greater design flexibility is offered by allowing the gate drivers to be placed close to the power MOSFETs.

The MCP14628 features the capability to sink 3.5A peak typically for the low-side gate drive. This allows the MCP14628 the capability of holding off the low-side power MOSFET during the rising edge of the PHASE node. Internal adaptive cross conduction protection circuitry is also used to mitigate both external power MOSFETs from simultaneously conducting.

The low resistance pull-up and pull-down drives allow the MCP14628 to quickly transition a 3300 pF load in typically 10 ns and with a propagation time of typically 20 ns. Bootstrapping for the high-side drive is internally implemented which allows for a reduced system cost and design complexity.

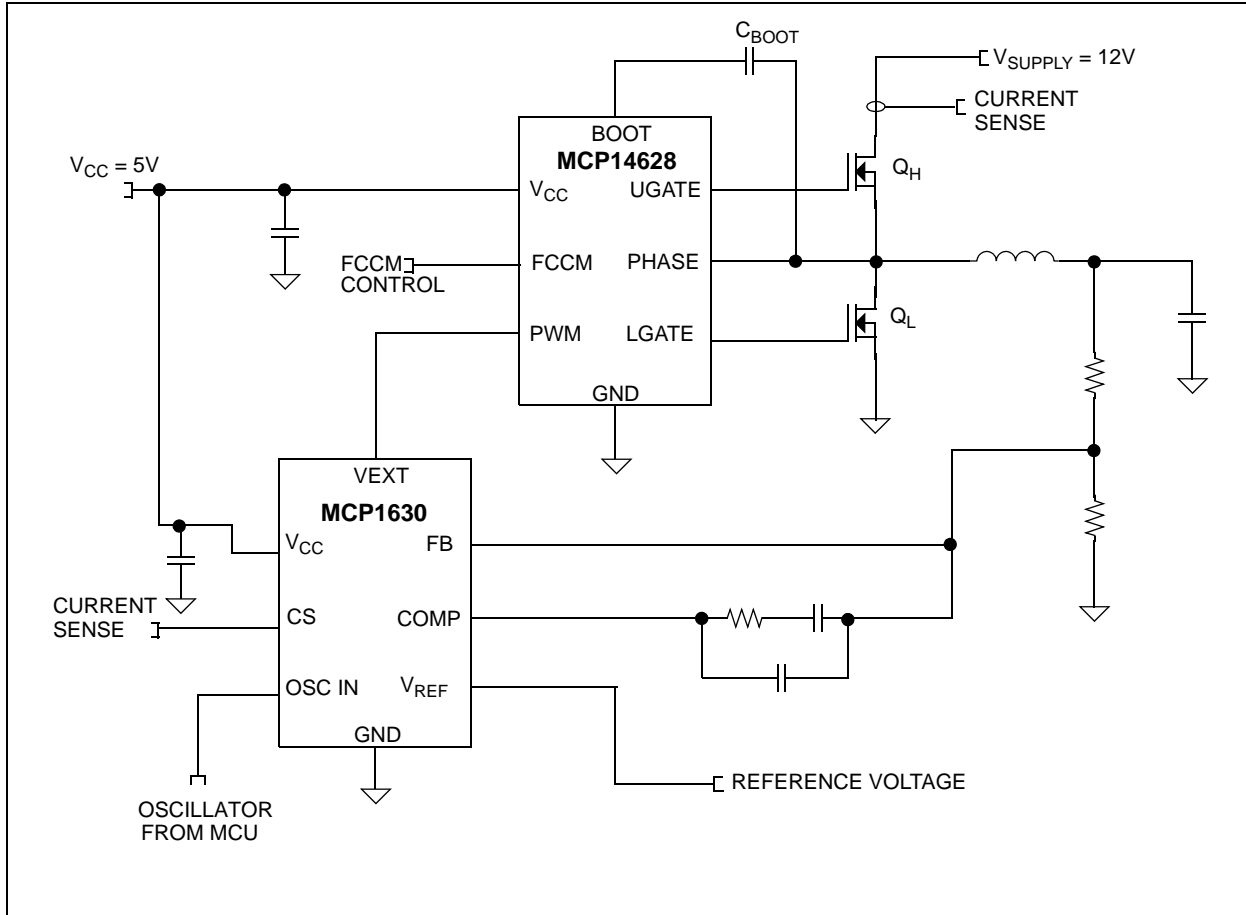
The PWM input to the MCP14628 can be tri-stated to force both drive outputs low for true power stage shutdown. Light load system efficiency is improved by using the diode emulation feature of the MCP14628. When the FCCM pin is grounded, diode emulation mode is entered. In this mode, discontinuous conduction is allowed by sensing when the inductor current reach zero and turning off the low-side power MOSFET.

Package Types

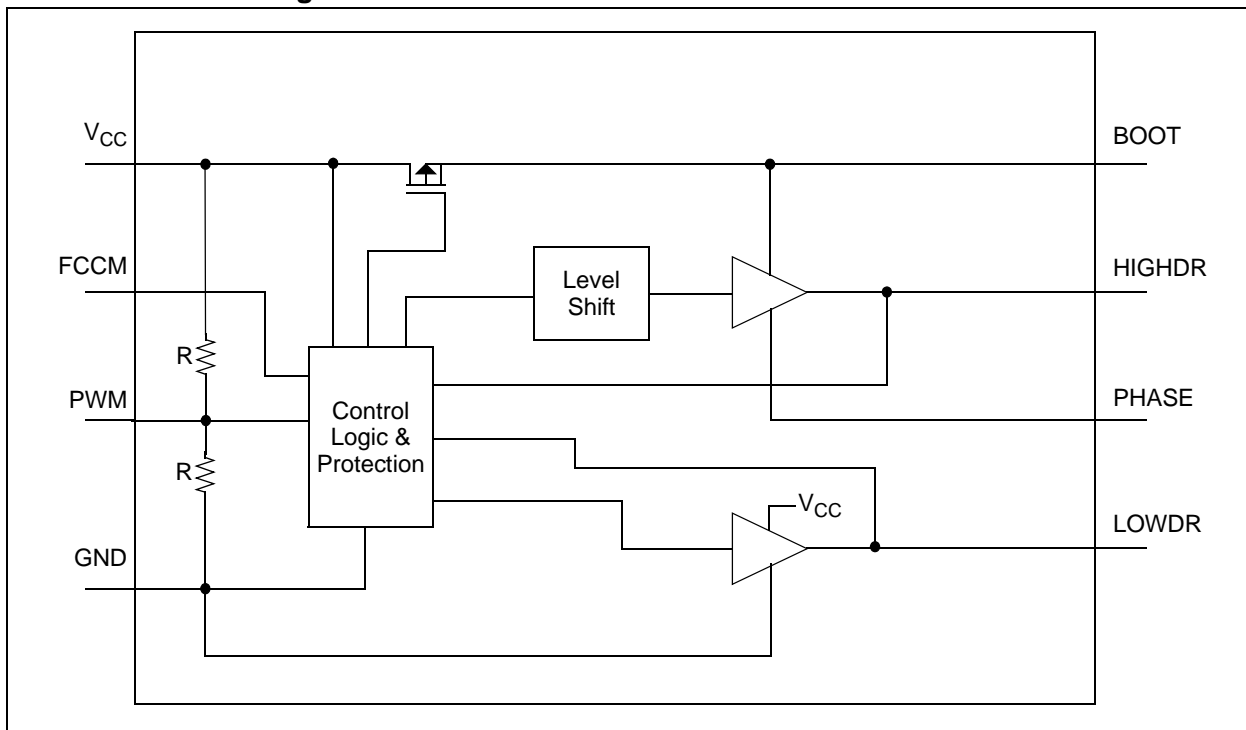


MCP14628

Typical Application Schematic



Functional Block Diagram



1.0 ELECTRICAL CHARACTERISTICS

Absolute Maximum Ratings †

V _{CC} , Device Supply Voltage.....	-0.3V to +7.0V
V _{BOOT} , BOOT Voltage.....	-0.3V to +36.0V
V _{PHASE} , Phase Voltage.....	V _{BOOT} - 7.0V to V _{BOOT} + 0.3V
V _{FCCM} , FCCM Voltage.....	-0.3V to V _{CC} + 0.3V
V _{PWM} , PWM Voltage.....	-0.3V to V _{CC} + 0.3V
V _{UGATE} , UGATE Voltage.....	V _{PHASE} - 0.3V to V _{BOOT} + 0.3V
V _{LGATE} , LGATE Voltage.....	-0.3V to V _{CC} + 0.3V
ESD Protection on all Pins.....	2 kV (HBM)

† **Notice:** Stresses above those listed under "Maximum Ratings" may cause permanent damage to the device. This is a stress rating only and functional operation of the device at those or any other conditions above those indicated in the operational sections of this specification is not intended. Exposure to maximum rating conditions for extended periods may affect device reliability.

DC CHARACTERISTICS

Electrical Specifications: Unless otherwise noted, V _{CC} = 5V, T _J = -40°C to +125°C						
Parameters	Sym	Min	Typ	Max	Units	Conditions
V_{CC} Supply Requirements						
Recommended Operating Range	V _{CC}	4.5	5.0	5.5	V	
Bias Supply Voltage	I _{VCC}	—	80	—	μA	PWM pin floating, V _{FCCM} = 5V
UVLO (Rising V _{CC})		—	3.40	3.90	V	
UVLO (Falling V _{CC})		2.40	2.90	—	V	
Hysteresis		—	500	—	mV	
PWM Input Requirements						
PWM Input Current	I _{PWM}	—	250	—	μA	V _{PWM} = 5V
		—	-250	—	μA	V _{PWM} = 0V
PWM Rising Threshold		0.70	1.00	1.30	V	
PWM Falling Threshold		3.50	3.80	4.10	V	
Tri-State Shutdown Hold-off Time	t _{TSSHD}	100	175	250	ns	T _A = +25°C, Note 2
FCCM input Requirements						
FCCM Low Threshold		0.50	—	—	V	
FCCM High Threshold		—	—	2.0	V	
Output Requirements						
High Drive Source Resistance		—	1.0	2.5	Ω	500 mA source current, Note 1
High Drive Sink Resistance		—	1.0	2.5	Ω	500 mA sink current, Note 1
High Drive Source Current		—	2.0	—	A	Note 1
High Drive Sink Current		—	2.0	—	A	Note 1
Low Drive Source Resistance		—	1	2.5	Ω	500 mA source current, Note 1
Low Drive Sink Resistance		—	0.5	1.0	Ω	500 mA sink current, Note 1
Low Drive Source Current		—	2.0	—	A	Note 1
Low Drive Sink Current		—	3.5	—	A	Note 1

Note 1: Parameter ensured by design, not production tested.

2: See [Figure 4-1](#) for parameter definition.

MCP14628

DC CHARACTERISTICS (CONTINUED)

Electrical Specifications: Unless otherwise noted, $V_{CC} = 5V$, $T_J = -40^{\circ}C$ to $+125^{\circ}C$						
Parameters	Sym	Min	Typ	Max	Units	Conditions
Switching Times						
HIGHDR Rise Time	t_{RH}	—	10	—	ns	$C_L = 3.3nF$, Note 1, Note 2
LOWDR Rise Time	t_{RL}	—	10	—	ns	$C_L = 3.3nF$, Note 1, Note 2
HIGHDR Fall Time	t_{FH}	—	10	—	ns	$C_L = 3.3nF$, Note 1, Note 2
LOWDR Fall Time	t_{FL}	—	6.0	—	ns	$C_L = 3.3nF$, Note 1, Note 2
HIGHDR Turn-off Propagation Delay	t_{PDLH}	—	15	—	ns	No Load, Note 2
LOWDR Turn-off Propagation Delay	t_{PDLL}	—	16	—	ns	No Load, Note 2
HIGHDR Turn-on Propagation Delay	t_{PDHH}	10	18	30	ns	No Load, Note 2
LOWDR Turn-on Propagation Delay	t_{PDHL}	10	22	30	ns	No Load, Note 2
Tri-State Propagation Delay	t_{PTS}	—	35	—	ns	No Load, Note 2
Minimum LOWDR On Time in DCM	t_{LGMIN}	—	400	—	ns	FCCM pin low Note 1

Note 1: Parameter ensured by design, not production tested.

2: See [Figure 4-1](#) for parameter definition.

TEMPERATURE CHARACTERISTICS

Electrical Specifications: Unless otherwise noted, all parameters apply with $V_{CC} = 5V$.						
Parameter	Sym	Min	Typ	Max	Units	Comments
Temperature Ranges						
Specified Temperature Range	T_A	-40	—	+85	$^{\circ}C$	
Maximum Junction Temperature	T_J	—	—	+150	$^{\circ}C$	
Storage Temperature	T_A	-65	—	+150	$^{\circ}C$	
Package Thermal Resistances						
Thermal Resistance, 8L-SOIC	θ_{JA}	—	149.5	—	$^{\circ}C/W$	
Thermal Resistance, 8L-DFN (3x3)	θ_{JA}	—	60.0	—	$^{\circ}C/W$	Typical Four-layer board with vias to ground plane

2.0 TYPICAL PERFORMANCE CURVES

Note: The graphs and tables provided following this note are a statistical summary based on a limited number of samples and are provided for informational purposes only. The performance characteristics listed herein are not tested or guaranteed. In some graphs or tables, the data presented may be outside the specified operating range (e.g., outside specified power supply range) and therefore outside the warranted range.

Note: Unless otherwise indicated, $T_A = +25^\circ\text{C}$ with $V_{CC} = 5.0\text{V}$.

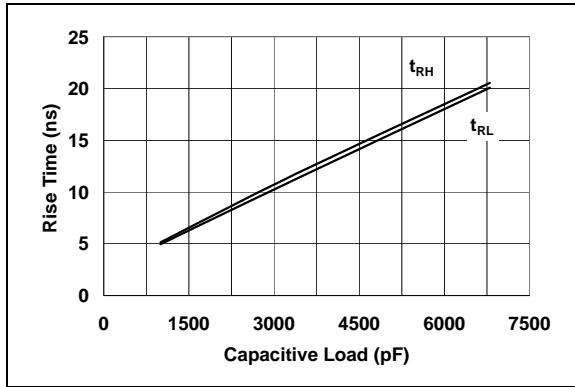


FIGURE 2-1: Rise Times vs. Capacitive Load.

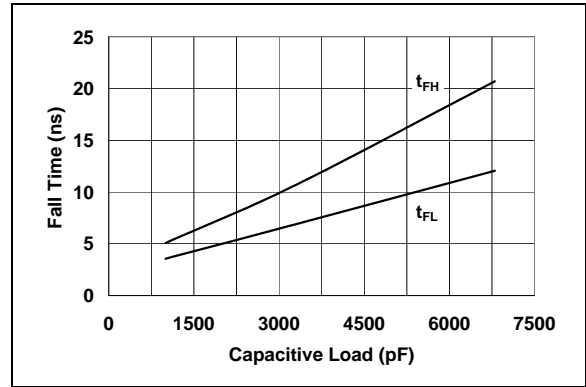


FIGURE 2-4: Fall Times vs. Capacitive Load.

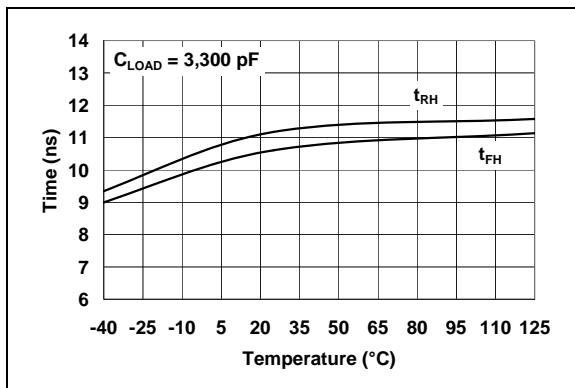


FIGURE 2-2: HIGHDR Rise and Fall Time vs. Temperature.

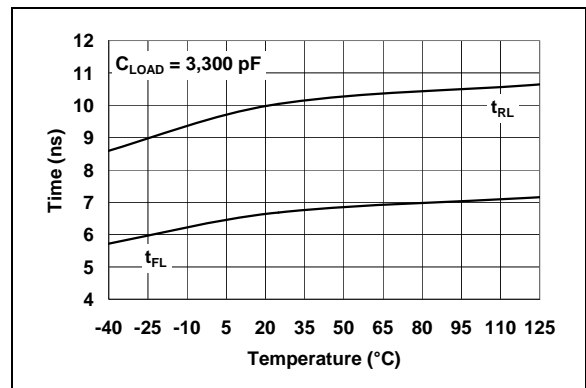


FIGURE 2-5: LOWDR Rise and Fall Time vs. Temperature.

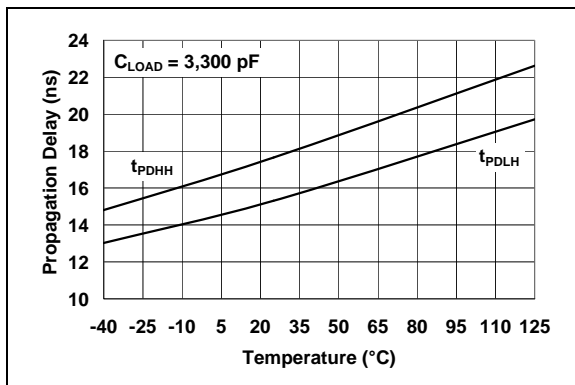


FIGURE 2-3: HIGHDR Propagation Delay vs. Temperature.

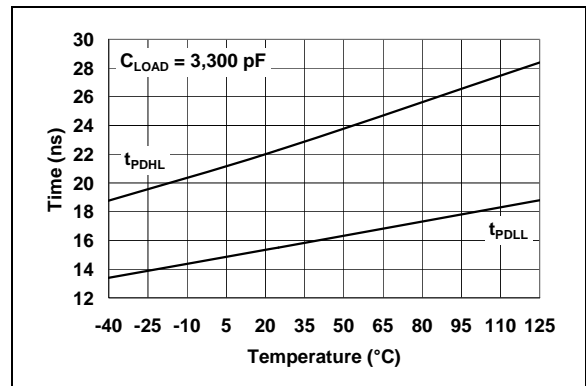


FIGURE 2-6: LOWDR Propagation Delay vs. Temperature.

MCP14628

Typical Performance Curves (Continued)

Note: Unless otherwise indicated, $T_A = +25^\circ\text{C}$ with $V_{CC} = 5.0\text{V}$.

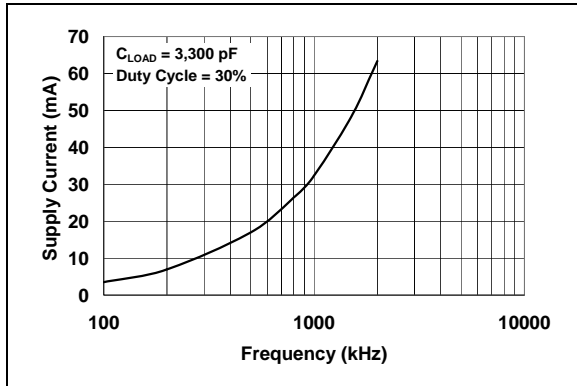


FIGURE 2-7: Supply Current vs. Frequency.

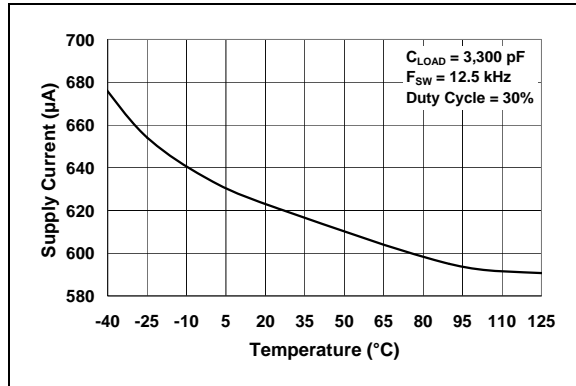


FIGURE 2-10: Supply Current vs. Temperature.

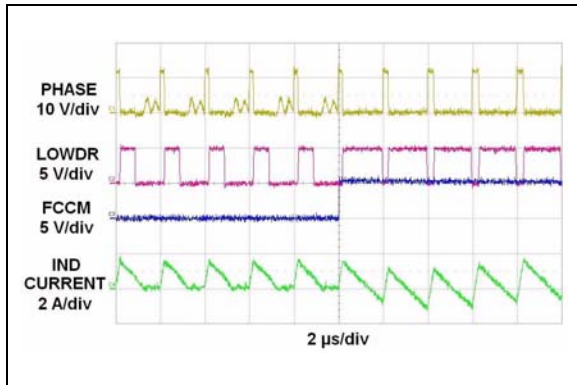


FIGURE 2-8: DCM to CCM Transition Operation.

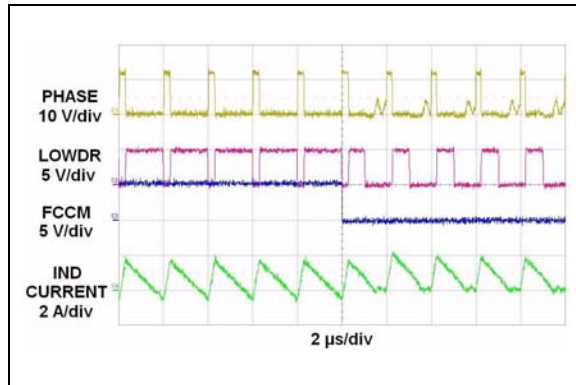


FIGURE 2-11: CCM to DCM Transition Operation.

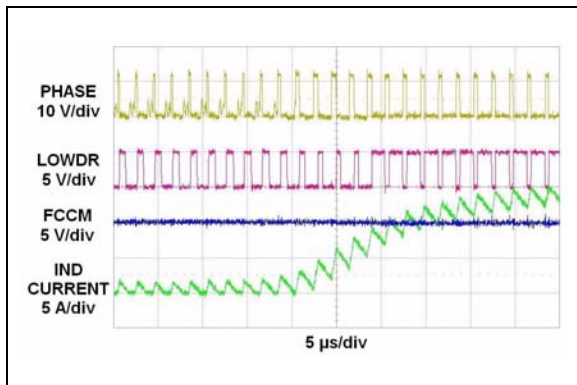


FIGURE 2-9: Load Transition (0.5A - 15A).

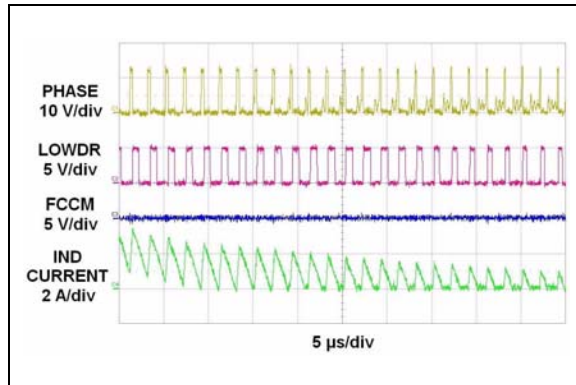


FIGURE 2-12: Load Transition (15A - 0.5A).

Typical Performance Curves (Continued)

Note: Unless otherwise indicated, $T_A = +25^\circ\text{C}$ with $V_{CC} = 5.0\text{V}$.

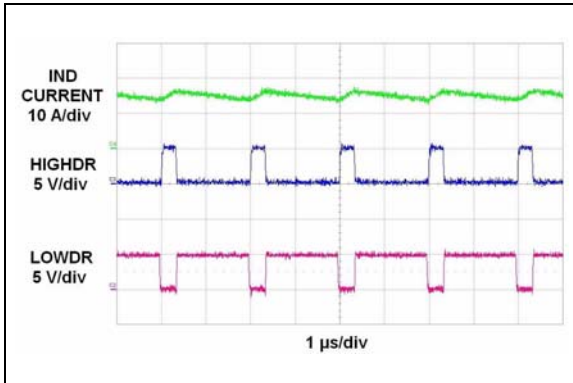


FIGURE 2-13: *HIGHDR and LOWDR Operation.*

MCP14628

3.0 PIN DESCRIPTIONS

The descriptions of the pins are listed in [Table 3-1](#).

TABLE 3-1: PIN FUNCTION TABLE

SOIC	3x3 DFN	Symbol	Description
1	1	HIGHDR	High-side Gate Driver Pin
2	2	BOOT	Floating Bootstrap Supply Pin
3	3	PWM	PWM Input Control Pin
4	4	GND	Ground
5	5	LOWDR	Low-side Gate Driver Pin
6	6	V _{CC}	Supply Input Voltage
7	7	FCCM	Forced Continuous Conduction Mode Pin
8	8	PHASE	Switch Node Pin
—	PAD	NC	Exposed Metal Pad

3.1 High-side Gate Driver Pin (HIGHDR)

The HIGHDR pin provides the gate drive signal to control the high-side power MOSFET. The gate of the high-side power MOSFET is connected to this pin.

3.2 Floating Bootstrap Supply Pin (BOOT)

The BOOT pin is the floating bootstrap supply pin for the high-side gate drive. A capacitor is connected between this pin and the PHASE pin to provide the necessary charge to turn on the high-side power MOSFET.

3.3 PWM Input Control Pin (PWM)

The control input signal is supplied to the PWM pin. This tri-state pin controls the state of the HIGHDR and LOWDR pins. Placing a voltage equal to $V_{CC}/2$ on this pin causes both the HIGHDR and LOWDR to a low state.

3.4 Ground Pin (GND)

The GND pin provides ground for the MCP14628 circuitry. It should have a low impedance connection to the bias supply source return. High peak currents will flow out the GND pin when the low-side power MOSFET is being turned off.

3.5 Low-side Gate Driver Pin (LOWDR)

The LOWDR pin provides the gate drive signal to control the low-side power MOSFET. The gate of the low-side power MOSFET is connected to this pin.

3.6 Supply Input Voltage Pin (V_{CC})

The V_{CC} pin provides bias to the MCP14628. A bypass capacitor is to be placed between this pin and the GND pin. This capacitor should be placed as close to the MCP14628 as possible.

3.7 Forced Continuous Conduction Mode Pin (FCCM)

The FCCM pin enables or disables the forced continuous conduction mode. With the FCCM pin connected to ground the MCP14628 enters a diode emulation mode to improve system efficiency at light loads. Continuous conduction is forced if the FCCM pin is connected to V_{CC}.

3.8 Switch Node Pin (PHASE)

The PHASE pin provides the return path for the high-side gate driver. The source of the high-side power MOSFET is connected to this pin.

3.9 DFN Exposed Pad

The exposed metal pad of the DFN package is not internally connected to any potential. Therefore, this pad can be connected to a ground plane or other copper plane on a printed circuit board to aid in heat removal from the package.

4.0 DETAILED DESCRIPTION

4.1 Device Overview

The MCP14628 is a dual MOSFET gate driver designed to optimally drive both high-side and low-side N-channel MOSFETs arranged in a non-isolated synchronous buck converter topology.

The MCP14628 is capable of supplying 2A (typical) peak current to the floating high-side power MOSFET that is connected to the HIGHDR pin. With the exception of a capacitor, all of the circuitry needed to drive this high-side N-channel MOSFET is internal to the MCP14628. A blocking device is placed between the V_{CC} and BOOT pins that allows the bootstrap capacitor to be charged to V_{CC} when the low-side power MOSFET is conducting. Refer to **Section 5.1**, for information on determining the proper size of the bootstrap capacitor. The HIGHDR is also capable of sinking 2A (typical) peak current.

The LOWDR is capable of sourcing 2A (typical) peak current and sinking 3.5A (typical) peak current. This helps ensure that the low-side power MOSFET stays turned off during the high dv/dt of the PHASE node.

4.2 Adaptive Cross-Conduction Protection

The MCP14628 prevents cross-conduction power loss by adaptively ensuring that the high-side and low-side power MOSFETs are not conducting simultaneously. When the PWM signal goes low, the HIGHDR is pulled low and the LOWDR signal is held low until the HIGHDR reach 1V (typically). At that time, the LOWDR is allowed to turn on.

4.3 FCCM Mode

The MCP14628 features a diode emulation mode to enhance the light load system efficiency. The FCCM pin enables or disables the diode emulating mode. With the FCCM pin grounded, diode emulation mode is entered. The forced continuous conduction mode is entered when the FCCM pin is connected to V_{CC} .

In diode emulation mode, the MCP14628 turns off the low-side power MOSFET when the inductor current reaches approximately zero even if the PWM input signal is still low. The LOWDR and HIGHDR both stay low until the next switching cycle begins. To prevent false termination of the LOWDR signal, there is a 400 ns minimum on time, t_{LGMIN} , of the LOWDR. This also ensures that the bootstrap capacitor is fully charged.

In forced continuous conduction mode, the LOWDR of the MCP14628 does not terminate until the PWM input signal transitions from a low to a high.

4.4 Tri-State PWM

The PWM input pin of the MCP14628 controls the high current LOWDR and HIGHDR drive signals. These signals have three distinct operating modes depending upon the state of the PWM input signal.

A logic low on the PWM pin cause the LOWDR drive signal to be high and the HIGHDR drive signal to be low. When the PWM signal transitions to a logic high, the LOWDR signal goes low and the HIGHDR signal go high. To ensure proper operation the PWM input signal should be capable of a logic low of 0V and a logic high of 5V.

The third operating mode of the drive signals occurs when the PWM signal is set to a value equal to $V_{CC}/2$ (typically). When the PWM signal dwells at this voltage for 175 ns (typically) the MCP14628 disables both LOWDR and HIGHDR drive signals. Both drive signals are pulled and held low. Once the PWM signal moves beyond $V_{CC}/2$, the MCP14628 removes the shutdown state of the drive signals.

MCP14628

4.5 Timing Diagram

The PWM signal applied to the MCP14628 is supplied by a controller IC that regulates the power supply output. The timing diagram in [Figure 4-1](#) graphically depicts the PWM signal and the output signals of the MCP14628.

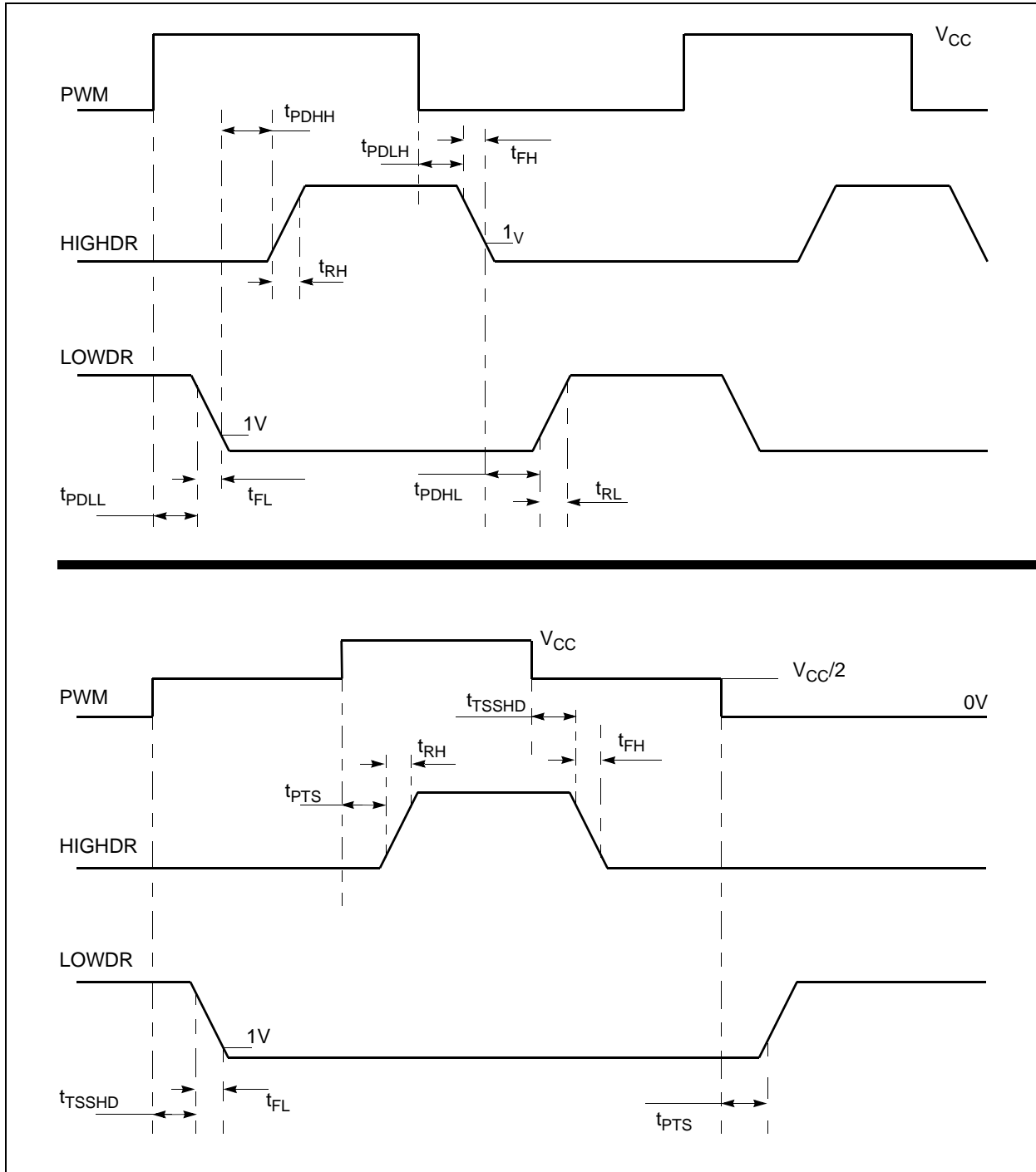


FIGURE 4-1: MCP14628 Timing Diagram.

5.0 APPLICATION INFORMATION

5.1 Bootstrap Capacitor Select

The selection of the bootstrap capacitor is based upon the total gate charge of the high-side power MOSFET and the allowable droop in gate drive voltage while the high-side power MOSFET is conducting.

EQUATION 5-1:

$$C_{BOOT} \geq \frac{Q_{GATE}}{\Delta V_{DROOP}}$$

Where:

C_{BOOT}	=	bootstrap capacitor value
Q_{GATE}	=	total gate charge of the high-side MOSFET
ΔV_{DROOP}	=	allowable gate drive voltage droop

For example:

$$Q_{GATE} = 30 \text{ nC}$$

$$\Delta V_{DROOP} = 200 \text{ mV}$$

$$C_{BOOT} \geq 0.15 \text{ uF}$$

A low ESR ceramic capacitor is recommended with a maximum voltage rating that exceeds the maximum input voltage, V_{CC} , plus the maximum supply voltage, V_{SUPPLY} . It is also recommended that the capacitance of C_{BOOT} not exceed 1.2 uF.

5.2 Decoupling Capacitor

Proper decoupling of the MCP14628 is highly recommended to help ensure reliable operation. This decoupling capacitor should be placed as close to the MCP14628 as possible. The large currents required to quickly charge the capacitive loads are provided by this capacitor. A low ESR ceramic capacitor is recommended.

5.3 Power Dissipation

The power dissipated in the MCP14628 consists of the power loss associated with the quiescent power and the gate charge power.

The quiescent power loss can be calculated by the following equation and is typically negligible compared to the gate drive power loss.

EQUATION 5-2:

$$P_Q = I_{VCC} \times V_{CC}$$

Where:

P_Q	=	Quiescent Power Loss
I_{VCC}	=	No Load Bias Current
V_{CC}	=	Bias Voltage

The main power loss occurs from the gate charge power loss. This power loss can be defined in terms of both the high-side and low-side power MOSFETs.

EQUATION 5-3:

$$P_{GATE} = P_{HIGHDR} + P_{LOWDR}$$

$$P_{HIGHDR} = V_{CC} \times Q_{HIGH} \times F_{SW}$$

$$P_{LOWDR} = V_{CC} \times Q_{LOW} \times F_{SW}$$

Where:

P_{GATE}	=	Total Gate Charge Power Loss
P_{HIGHDR}	=	High-Side Gate Charge Power Loss
P_{LOWDR}	=	Low-Side Gate Charge Power Loss
V_{CC}	=	Bias Supply Voltage
Q_{HIGH}	=	High-Side MOSFET Total Gate Charge
Q_{LOW}	=	Low-Side MOSFET Total GATE Charge
F_{SW}	=	Switching Frequency

5.4 PCB Layout

Proper PCB layout is important in a high current, fast switching circuit to provide proper device operation. Improper component placement may cause errant switching, excessive voltage ringing, or circuit latch-up.

There are two important states of the MCP14628 outputs, high and low. [Figure 5-1](#) depicts the current flow paths when the outputs of the MCP14628 are high and the power MOSFETs are turned on. Charge needed to turn on the low-side power MOSFET comes from the decoupling capacitor C_{VCC} . Current flows from this capacitor through the internal LOWDR circuitry, into the gate of the low-side power MOSFET, out the source, into the ground plane, and back to C_{VCC} . To reduce any excess voltage ringing or spiking, the inductance and area of this current loop must be minimized.

MCP14628

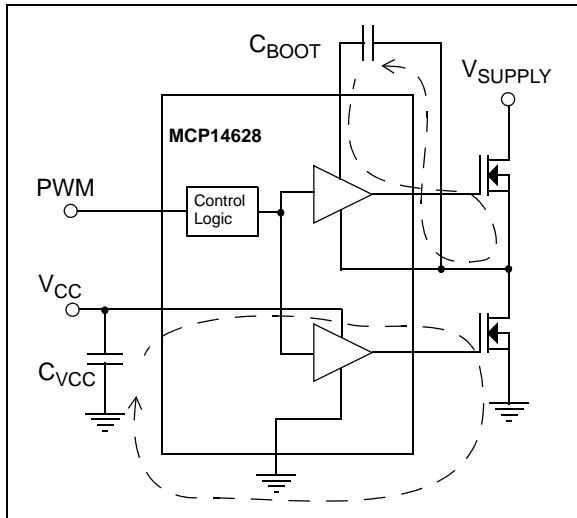


FIGURE 5-1: Turn On Current Paths.

The charge needed for the turning on of the high-side power MOSFET comes from the bootstrap capacitor C_{BOOT} . Current flows from C_{BOOT} through the internal HIGHDR circuitry, into the gate of the high-side power MOSFET, out the source, and back to C_{BOOT} . The printed circuit board traces that construct this current loop need to have a small area and low inductance. To control the inductance, short and wide traces must be used.

Figure 5-2 depicts the current flow paths when the outputs of the MCP14628 are low and the power MOSFETs are turned off. These current paths should also have low inductance and a small loop area to minimize voltage ringing and spiking.

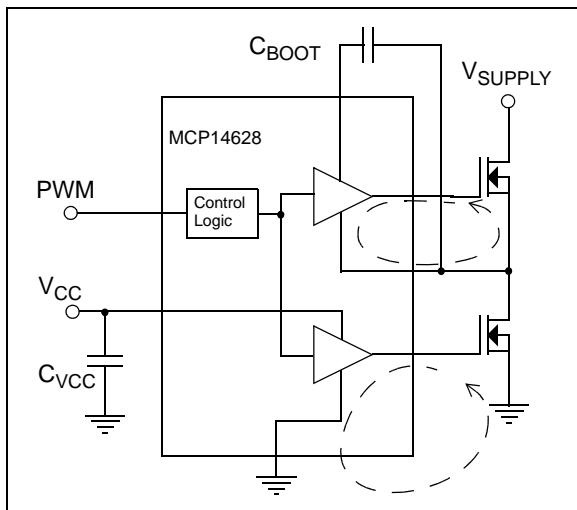


FIGURE 5-2: Turn Off Current Paths.

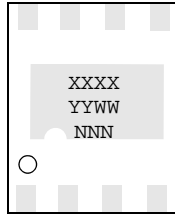
The following recommendations should be followed to allow for optimal circuit performance.

- The components that construct the high current paths previously mentioned should be placed close to the MCP14628. The traces used to construct these current loops should be wide and short to keep the inductance and impedance low.
- A ground plane should be used to keep both the parasitic inductance and impedance minimized. The MCP14628 is capable of sourcing and sinking high peaks current and any extra parasitic inductance or impedance will result in non-optimal performance.

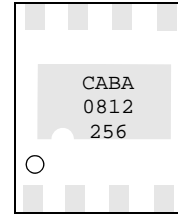
6.0 PACKAGING INFORMATION

6.1 Package Marking Information (Not to Scale)

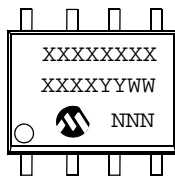
8-Lead DFN



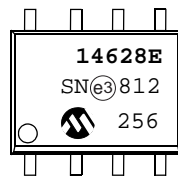
Example:



8-Lead SOIC (150 mil)



Example:



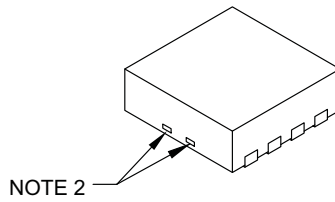
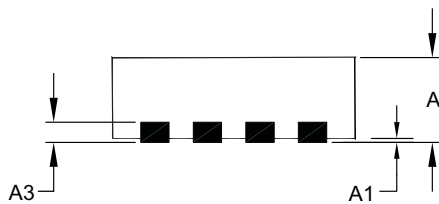
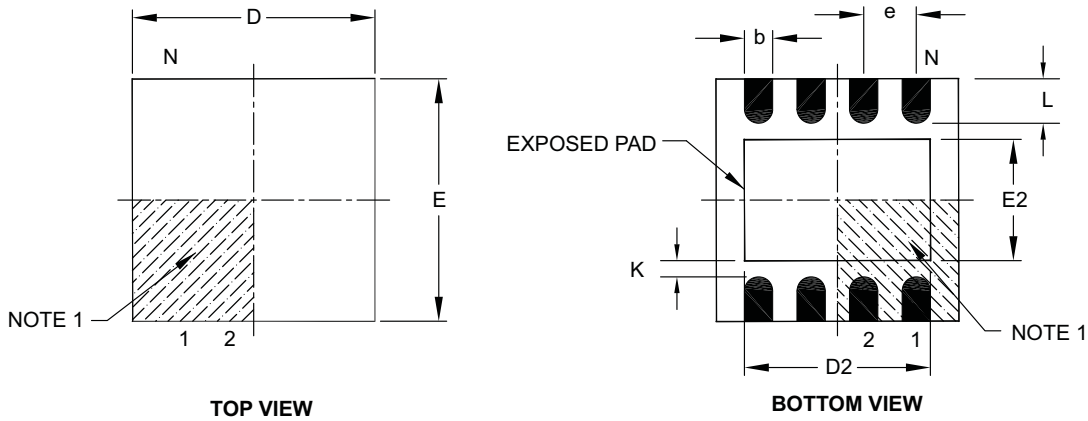
Legend:	XX...X	Customer-specific information
	Y	Year code (last digit of calendar year)
	YY	Year code (last 2 digits of calendar year)
	WW	Week code (week of January 1 is week '01')
	NNN	Alphanumeric traceability code
	(e3)	Pb-free JEDEC designator for Matte Tin (Sn)
	*	This package is Pb-free. The Pb-free JEDEC designator (e3) can be found on the outer packaging for this package.

Note: In the event the full Microchip part number cannot be marked on one line, it will be carried over to the next line, thus limiting the number of available characters for customer-specific information.

MCP14628

8-Lead Plastic Dual Flat, No Lead Package (MF) – 3x3x0.9 mm Body [DFN]

Note: For the most current package drawings, please see the Microchip Packaging Specification located at <http://www.microchip.com/packaging>



Dimension Limits	Units	MILLIMETERS		
		MIN	NOM	MAX
Number of Pins	N	8		
Pitch	e	0.65 BSC		
Overall Height	A	0.80	0.90	1.00
Standoff	A1	0.00	0.02	0.05
Contact Thickness	A3	0.20 REF		
Overall Length	D	3.00 BSC		
Exposed Pad Width	E2	0.00	–	1.60
Overall Width	E	3.00 BSC		
Exposed Pad Length	D2	0.00	–	2.40
Contact Width	b	0.25	0.30	0.35
Contact Length	L	0.20	0.30	0.55
Contact-to-Exposed Pad	K	0.20	–	–

Notes:

- Pin 1 visual index feature may vary, but must be located within the hatched area.
- Package may have one or more exposed tie bars at ends.
- Package is saw singulated.
- Dimensioning and tolerancing per ASME Y14.5M.

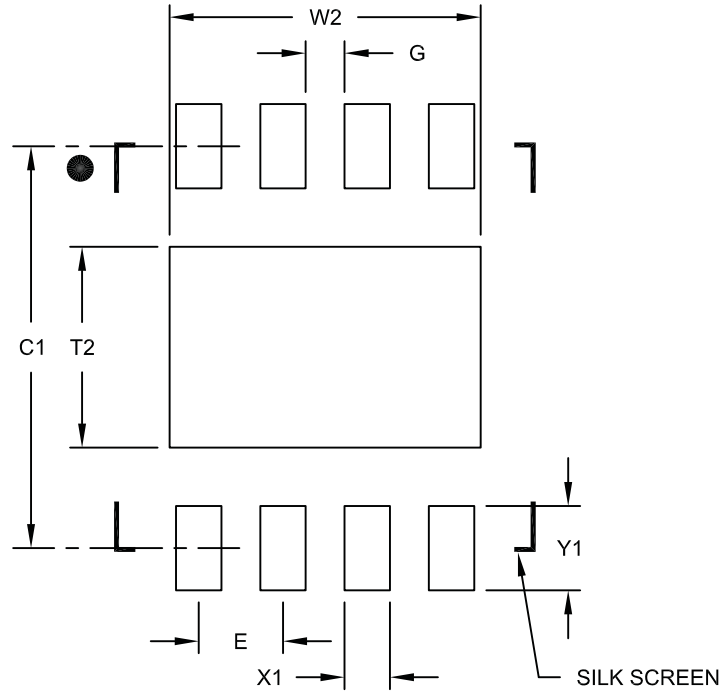
BSC: Basic Dimension. Theoretically exact value shown without tolerances.

REF: Reference Dimension, usually without tolerance, for information purposes only.

Microchip Technology Drawing C04-062B

8-Lead Plastic Dual Flat, No Lead Package (MF) – 3x3x0.9 mm Body [DFN]

Note: For the most current package drawings, please see the Microchip Packaging Specification located at <http://www.microchip.com/packaging>



RECOMMENDED LAND PATTERN

Dimension Limits	Units	MILLIMETERS		
		MIN	NOM	MAX
Contact Pitch	E	0.65 BSC		
Optional Center Pad Width	W2			2.40
Optional Center Pad Length	T2			1.55
Contact Pad Spacing	C1		3.10	
Contact Pad Width (X8)	X1			0.35
Contact Pad Length (X8)	Y1			0.65
Distance Between Pads	G	0.30		

Notes:

1. Dimensioning and tolerancing per ASME Y14.5M

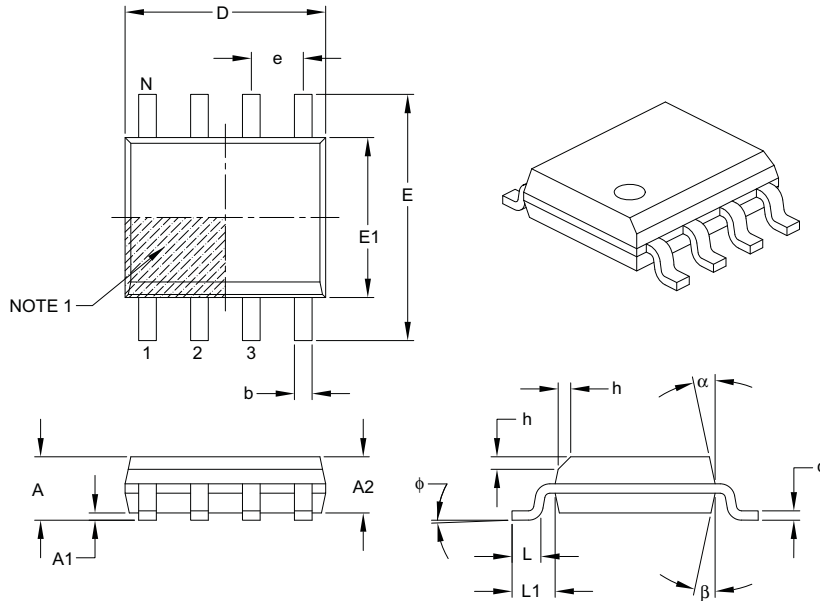
BSC: Basic Dimension. Theoretically exact value shown without tolerances.

Microchip Technology Drawing No. C04-2062A

MCP14628

8-Lead Plastic Small Outline (SN) – Narrow, 3.90 mm Body [SOIC]

Note: For the most current package drawings, please see the Microchip Packaging Specification located at <http://www.microchip.com/packaging>



Dimension Limits	Units	MILLIMETERS		
		MIN	NOM	MAX
Number of Pins	N	8		
Pitch	e	1.27 BSC		
Overall Height	A	–	–	1.75
Molded Package Thickness	A2	1.25	–	–
Standoff §	A1	0.10	–	0.25
Overall Width	E	6.00 BSC		
Molded Package Width	E1	3.90 BSC		
Overall Length	D	4.90 BSC		
Chamfer (optional)	h	0.25	–	0.50
Foot Length	L	0.40	–	1.27
Footprint	L1	1.04 REF		
Foot Angle	ϕ	0°	–	8°
Lead Thickness	c	0.17	–	0.25
Lead Width	b	0.31	–	0.51
Mold Draft Angle Top	α	5°	–	15°
Mold Draft Angle Bottom	β	5°	–	15°

Notes:

- Pin 1 visual index feature may vary, but must be located within the hatched area.
- § Significant Characteristic.
- Dimensions D and E1 do not include mold flash or protrusions. Mold flash or protrusions shall not exceed 0.15 mm per side.
- Dimensioning and tolerancing per ASME Y14.5M.

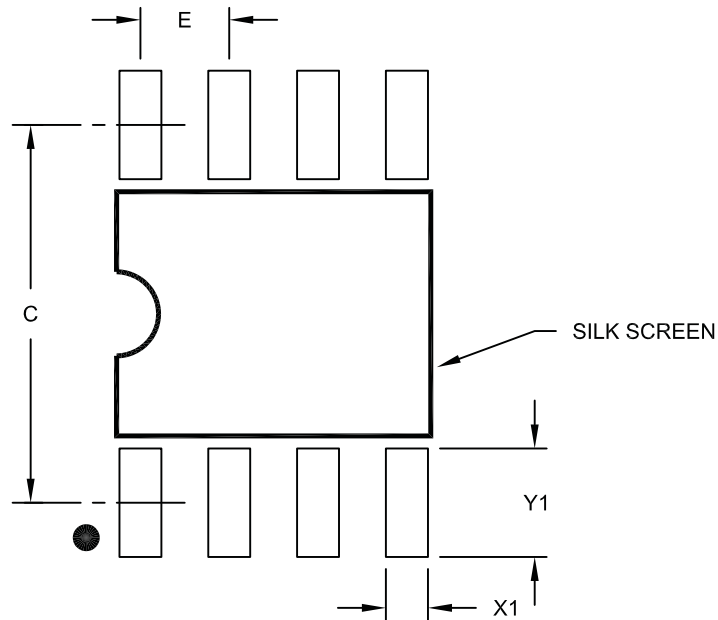
BSC: Basic Dimension. Theoretically exact value shown without tolerances.

REF: Reference Dimension, usually without tolerance, for information purposes only.

Microchip Technology Drawing C04-057B

8-Lead Plastic Small Outline (SN) – Narrow, 3.90 mm Body [SOIC]

Note: For the most current package drawings, please see the Microchip Packaging Specification located at <http://www.microchip.com/packaging>



RECOMMENDED LAND PATTERN

Dimension Limits	Units	MILLIMETERS		
		MIN	NOM	MAX
Contact Pitch	E	1.27 BSC		
Contact Pad Spacing	C		5.40	
Contact Pad Width (X8)	X1			0.60
Contact Pad Length (X8)	Y1			1.55

Notes:

1. Dimensioning and tolerancing per ASME Y14.5M

BSC: Basic Dimension. Theoretically exact value shown without tolerances.

Microchip Technology Drawing No. C04-2057A

MCP14628

NOTES:

APPENDIX A: REVISION HISTORY

Revision A (March 2008)

- Original Release of this Document.

MCP14628

NOTES:

PRODUCT IDENTIFICATION SYSTEM

To order or obtain information, e.g., on pricing or delivery, refer to the factory or the listed sales office.

PART NO.	-X	ΔXX
Device	Temperature Range	Package
Device	MCP14628 MCP14628T	2A Synchronous Buck Power MOSFET Driver 2A Synchronous Buck Power MOSFET Driver Tape and Reel
Temperature Range	E	= -40°C to +85°C
Package	MF SN	= Dual Flat, No Lead (3x3mm Body), 8-Lead = Plastic SOIC (150 mil Body), 8-Lead

Examples:

- a) MCP14628-E/MF: 2A Synchronous Driver
8LD DFN Package
- b) MCP14628T-E/MF: Tape and Reel,
2A Synchronous Driver
8LD DFN Package
- c) MCP14628-E/SN: 2A Synchronous Driver
8LD SOIC Package
- d) MCP14628T-E/SN: Tape and Reel,
2A Synchronous Driver
8LD SOIC Package

MCP14628

NOTES:

Note the following details of the code protection feature on Microchip devices:

- Microchip products meet the specification contained in their particular Microchip Data Sheet.
- Microchip believes that its family of products is one of the most secure families of its kind on the market today, when used in the intended manner and under normal conditions.
- There are dishonest and possibly illegal methods used to breach the code protection feature. All of these methods, to our knowledge, require using the Microchip products in a manner outside the operating specifications contained in Microchip's Data Sheets. Most likely, the person doing so is engaged in theft of intellectual property.
- Microchip is willing to work with the customer who is concerned about the integrity of their code.
- Neither Microchip nor any other semiconductor manufacturer can guarantee the security of their code. Code protection does not mean that we are guaranteeing the product as “unbreakable.”

Code protection is constantly evolving. We at Microchip are committed to continuously improving the code protection features of our products. Attempts to break Microchip's code protection feature may be a violation of the Digital Millennium Copyright Act. If such acts allow unauthorized access to your software or other copyrighted work, you may have a right to sue for relief under that Act.

Information contained in this publication regarding device applications and the like is provided only for your convenience and may be superseded by updates. It is your responsibility to ensure that your application meets with your specifications. MICROCHIP MAKES NO REPRESENTATIONS OR WARRANTIES OF ANY KIND WHETHER EXPRESS OR IMPLIED, WRITTEN OR ORAL, STATUTORY OR OTHERWISE, RELATED TO THE INFORMATION, INCLUDING BUT NOT LIMITED TO ITS CONDITION, QUALITY, PERFORMANCE, MERCHANTABILITY OR FITNESS FOR PURPOSE. Microchip disclaims all liability arising from this information and its use. Use of Microchip devices in life support and/or safety applications is entirely at the buyer's risk, and the buyer agrees to defend, indemnify and hold harmless Microchip from any and all damages, claims, suits, or expenses resulting from such use. No licenses are conveyed, implicitly or otherwise, under any Microchip intellectual property rights.

Trademarks

The Microchip name and logo, the Microchip logo, Accuron, dsPIC, KEELOQ, KEELOQ logo, MPLAB, PIC, PICmicro, PICSTART, PRO MATE, rPIC and SmartShunt are registered trademarks of Microchip Technology Incorporated in the U.S.A. and other countries.


FilterLab, Linear Active Thermistor, MXDEV, MXLAB, SEEVAL, SmartSensor and The Embedded Control Solutions Company are registered trademarks of Microchip Technology Incorporated in the U.S.A.

Analog-for-the-Digital Age, Application Maestro, CodeGuard, dsPICDEM, dsPICDEM.net, dsPICworks, dsSPEAK, ECAN, ECONOMONITOR, FanSense, In-Circuit Serial Programming, ICSP, ICEPIC, Mindi, MiWi, MPASM, MPLAB Certified logo, MPLIB, MPLINK, mTouch, PICkit, PICDEM, PICDEM.net, PICtail, PIC³² logo, PowerCal, PowerInfo, PowerMate, PowerTool, REAL ICE, rLAB, Select Mode, Total Endurance, UNI/O, WiperLock and ZENA are trademarks of Microchip Technology Incorporated in the U.S.A. and other countries.

SQTP is a service mark of Microchip Technology Incorporated in the U.S.A.

All other trademarks mentioned herein are property of their respective companies.

© 2008, Microchip Technology Incorporated, Printed in the U.S.A., All Rights Reserved.

 Printed on recycled paper.

QUALITY MANAGEMENT SYSTEM
CERTIFIED BY DNV
== ISO/TS 16949:2002 ==

Microchip received ISO/TS-16949:2002 certification for its worldwide headquarters, design and wafer fabrication facilities in Chandler and Tempe, Arizona; Gresham, Oregon and design centers in California and India. The Company's quality system processes and procedures are for its PIC[®] MCUs and dsPIC[®] DSCs, KEELOQ[®] code hopping devices, Serial EEPROMs, microperipherals, nonvolatile memory and analog products. In addition, Microchip's quality system for the design and manufacture of development systems is ISO 9001:2000 certified.



WORLDWIDE SALES AND SERVICE

AMERICAS

Corporate Office
2355 West Chandler Blvd.
Chandler, AZ 85224-6199
Tel: 480-792-7200
Fax: 480-792-7277
Technical Support:
<http://support.microchip.com>
Web Address:
www.microchip.com

Atlanta
Duluth, GA
Tel: 678-957-9614
Fax: 678-957-1455

Boston
Westborough, MA
Tel: 774-760-0087
Fax: 774-760-0088

Chicago
Itasca, IL
Tel: 630-285-0071
Fax: 630-285-0075

Dallas
Addison, TX
Tel: 972-818-7423
Fax: 972-818-2924

Detroit
Farmington Hills, MI
Tel: 248-538-2250
Fax: 248-538-2260

Kokomo
Kokomo, IN
Tel: 765-864-8360
Fax: 765-864-8387

Los Angeles
Mission Viejo, CA
Tel: 949-462-9523
Fax: 949-462-9608

Santa Clara
Santa Clara, CA
Tel: 408-961-6444
Fax: 408-961-6445

Toronto
Mississauga, Ontario,
Canada
Tel: 905-673-0699
Fax: 905-673-6509

ASIA/PACIFIC

Asia Pacific Office
Suites 3707-14, 37th Floor
Tower 6, The Gateway
Harbour City, Kowloon
Hong Kong
Tel: 852-2401-1200
Fax: 852-2401-3431

Australia - Sydney
Tel: 61-2-9868-6733
Fax: 61-2-9868-6755

China - Beijing
Tel: 86-10-8528-2100
Fax: 86-10-8528-2104

China - Chengdu
Tel: 86-28-8665-5511
Fax: 86-28-8665-7889

China - Hong Kong SAR
Tel: 852-2401-1200
Fax: 852-2401-3431

China - Nanjing
Tel: 86-25-8473-2460
Fax: 86-25-8473-2470

China - Qingdao
Tel: 86-532-8502-7355
Fax: 86-532-8502-7205

China - Shanghai
Tel: 86-21-5407-5533
Fax: 86-21-5407-5066

China - Shenyang
Tel: 86-24-2334-2829
Fax: 86-24-2334-2393

China - Shenzhen
Tel: 86-755-8203-2660
Fax: 86-755-8203-1760

China - Wuhan
Tel: 86-27-5980-5300
Fax: 86-27-5980-5118

China - Xiamen
Tel: 86-592-2388138
Fax: 86-592-2388130

China - Xian
Tel: 86-29-8833-7252
Fax: 86-29-8833-7256

China - Zhuhai
Tel: 86-756-3210040
Fax: 86-756-3210049

ASIA/PACIFIC

India - Bangalore
Tel: 91-80-4182-8400
Fax: 91-80-4182-8422

India - New Delhi
Tel: 91-11-4160-8631
Fax: 91-11-4160-8632

India - Pune
Tel: 91-20-2566-1512
Fax: 91-20-2566-1513

Japan - Yokohama
Tel: 81-45-471- 6166
Fax: 81-45-471-6122

Korea - Daegu
Tel: 82-53-744-4301
Fax: 82-53-744-4302

Korea - Seoul
Tel: 82-2-554-7200
Fax: 82-2-558-5932 or
82-2-558-5934

Malaysia - Kuala Lumpur
Tel: 60-3-6201-9857
Fax: 60-3-6201-9859

Malaysia - Penang
Tel: 60-4-227-8870
Fax: 60-4-227-4068

Philippines - Manila
Tel: 63-2-634-9065
Fax: 63-2-634-9069

Singapore
Tel: 65-6334-8870
Fax: 65-6334-8850

Taiwan - Hsin Chu
Tel: 886-3-572-9526
Fax: 886-3-572-6459

Taiwan - Kaohsiung
Tel: 886-7-536-4818
Fax: 886-7-536-4803

Taiwan - Taipei
Tel: 886-2-2500-6610
Fax: 886-2-2508-0102

Thailand - Bangkok
Tel: 66-2-694-1351
Fax: 66-2-694-1350

EUROPE

Austria - Wels
Tel: 43-7242-2244-39
Fax: 43-7242-2244-393

Denmark - Copenhagen
Tel: 45-4450-2828
Fax: 45-4485-2829

France - Paris
Tel: 33-1-69-53-63-20
Fax: 33-1-69-30-90-79

Germany - Munich
Tel: 49-89-627-144-0
Fax: 49-89-627-144-44

Italy - Milan
Tel: 39-0331-742611
Fax: 39-0331-466781

Netherlands - Drunen
Tel: 31-416-690399
Fax: 31-416-690340

Spain - Madrid
Tel: 34-91-708-08-90
Fax: 34-91-708-08-91

UK - Wokingham
Tel: 44-118-921-5869
Fax: 44-118-921-5820



Компания «ЭлектроПласт» предлагает заключение долгосрочных отношений при поставках импортных электронных компонентов на взаимовыгодных условиях!

Наши преимущества:

- Оперативные поставки широкого спектра электронных компонентов отечественного и импортного производства напрямую от производителей и с крупнейших мировых складов;
- Поставка более 17-ти миллионов наименований электронных компонентов;
- Поставка сложных, дефицитных, либо снятых с производства позиций;
- Оперативные сроки поставки под заказ (от 5 рабочих дней);
- Экспресс доставка в любую точку России;
- Техническая поддержка проекта, помощь в подборе аналогов, поставка прототипов;
- Система менеджмента качества сертифицирована по Международному стандарту ISO 9001;
- Лицензия ФСБ на осуществление работ с использованием сведений, составляющих государственную тайну;
- Поставка специализированных компонентов (Xilinx, Altera, Analog Devices, Intersil, Interpoint, Microsemi, Aeroflex, Peregrine, Syfer, Eurofarad, Texas Instrument, Miteq, Cobham, E2V, MA-COM, Hittite, Mini-Circuits, General Dynamics и др.);

Помимо этого, одним из направлений компании «ЭлектроПласт» является направление «Источники питания». Мы предлагаем Вам помощь Конструкторского отдела:

- Подбор оптимального решения, техническое обоснование при выборе компонента;
- Подбор аналогов;
- Консультации по применению компонента;
- Поставка образцов и прототипов;
- Техническая поддержка проекта;
- Защита от снятия компонента с производства.



Как с нами связаться

Телефон: 8 (812) 309 58 32 (многоканальный)

Факс: 8 (812) 320-02-42

Электронная почта: org@eplast1.ru

Адрес: 198099, г. Санкт-Петербург, ул. Калинина, дом 2, корпус 4, литера А.