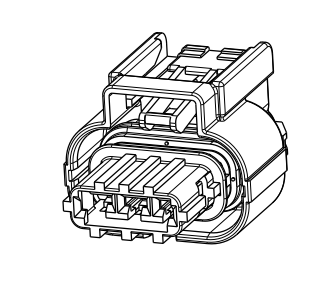


ASSEMBLY PART NUMBER CHART

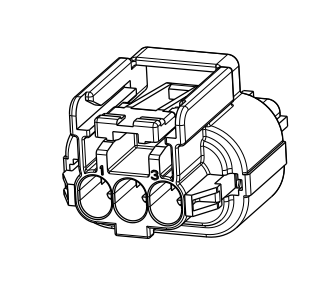
PART NUMBERS				KEY OPTION	COMPONENTS				
DELPHI	REV	MVL	REV		INSULATOR (HOUSING)	TPA	RING SEAL	CPA	
13791661	01	F258300	A	A	PA66 GF35	COLOR	PA66 GF35	SILICONE	PA66 GF35
33513145	01	F593500	A	A	SS46300	DK GREY	F055000	F546000 GREEN	NO
13856436	01	F358300	A	B		AQUA	F643500		
33513146	01	F832210	A	C		NATURAL	F138400		
33513147	01	F932210	A	D		DK GREY	S632210		
13962796	02	F731210	B	A	BLACK	S732210	F752210 RED		
33513148	02	F007400	B	B	BLACK	F055000			
33513149	02	F242210	B	C	DK GREY	F366000			
33513150	02	F342210	B	D	DK BLUE	S632210			
						BLACK	S732210		

APPLICABLE COMPONENTS CHART

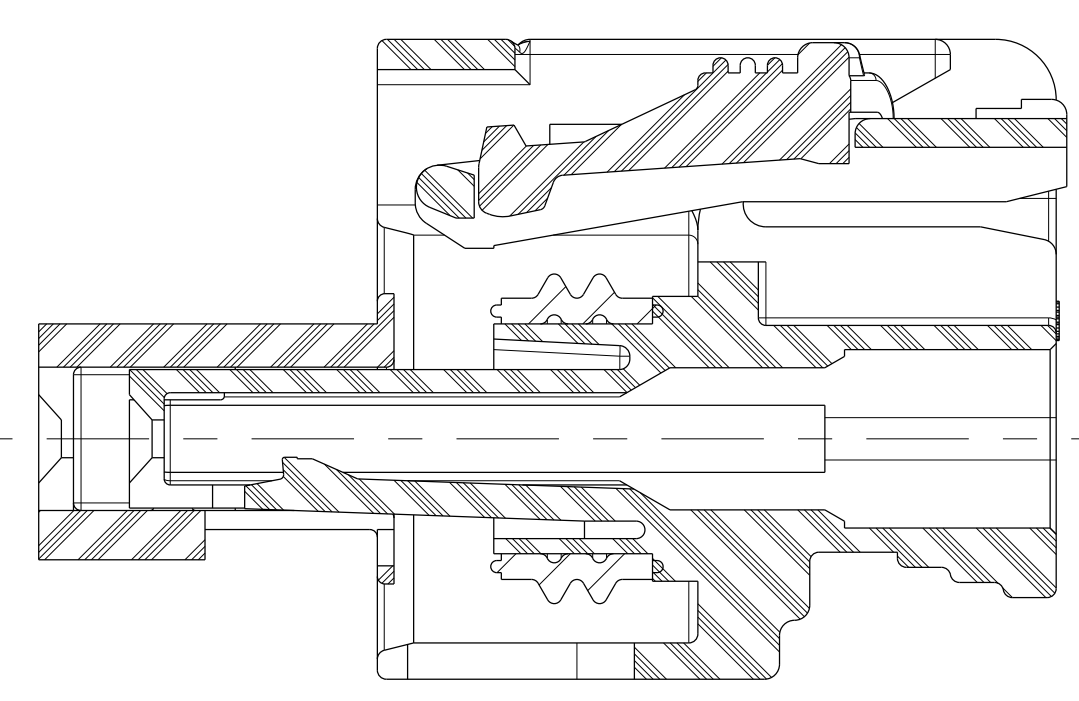
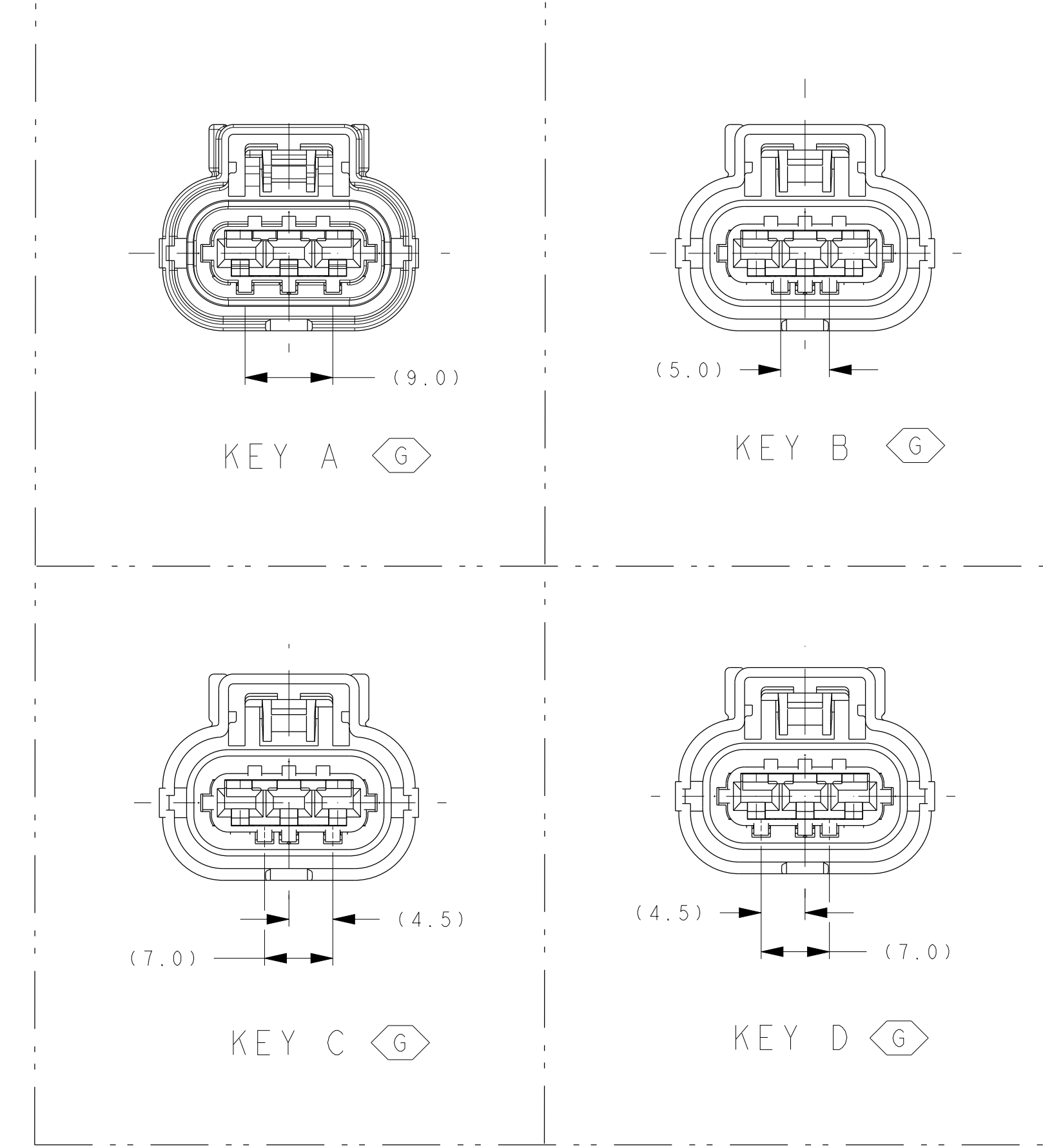
ITEM NO.	DESCRIPTION	PLATING OR COLOR	SUPPLIER		DELPHI NUMBER	GRIP CODE	WIRE SIZE	WIRE INSULATION DIAMETER RANGE	MATERIAL/SPEC. NO.
			NAME	NUMBER					
5	2.8mm SEALED SYSTEM TERMINAL (F)	TIN	MVL	54001807	10810375	18	20-18 AWG 0.50-1.00mm <sup>2</sup>	1.40mm-2.13mm	COPPER ALLOY / NA
	2.8mm SEALED SYSTEM TERMINAL (F)	TIN	MVL	54001404	13627267	14	16-14 AWG 1.50-2.50mm <sup>2</sup>	2.18mm-3.00mm	COPPER ALLOY / NA
	2.8mm SEALED SYSTEM TERMINAL (F)	GOLD	MVL	54001811	13948955	18AU	20-18 AWG 0.50-1.00mm <sup>2</sup>	1.40mm-2.13mm	COPPER ALLOY / NA
	2.8mm SEALED SYSTEM TERMINAL (F)	GOLD	MVL	54001410	15470590	14AU	16-14 AWG 1.50-2.50mm <sup>2</sup>	2.18mm-3.00mm	COPPER ALLOY / NA
6	2.80mm SYSTEM CABLE SEAL ROUND	GREEN	MVL (QSR)	F676000	13791654		20-18 AWG 0.50-1.00mm <sup>2</sup>	1.40mm-2.13mm	SILICONE
	2.80mm SYSTEM CABLE SEAL ROUND	BLUE	MVL (QSR)	F576000	13948585		16-14 AWG 1.50-2.00mm <sup>2</sup>	2.18mm-2.80mm	SILICONE
	2.80mm SYSTEM CABLE SEAL ROUND	YELLOW	MVL	60994034	10779161		2.5mm <sup>2</sup>	2.70mm-3.00mm	SILICONE
7	2.80 SYSTEM CAVITY PLUG ROUND	WHITE	DELPHI	-	15305170		OPTIONAL AS REQUIRED		SILICONE



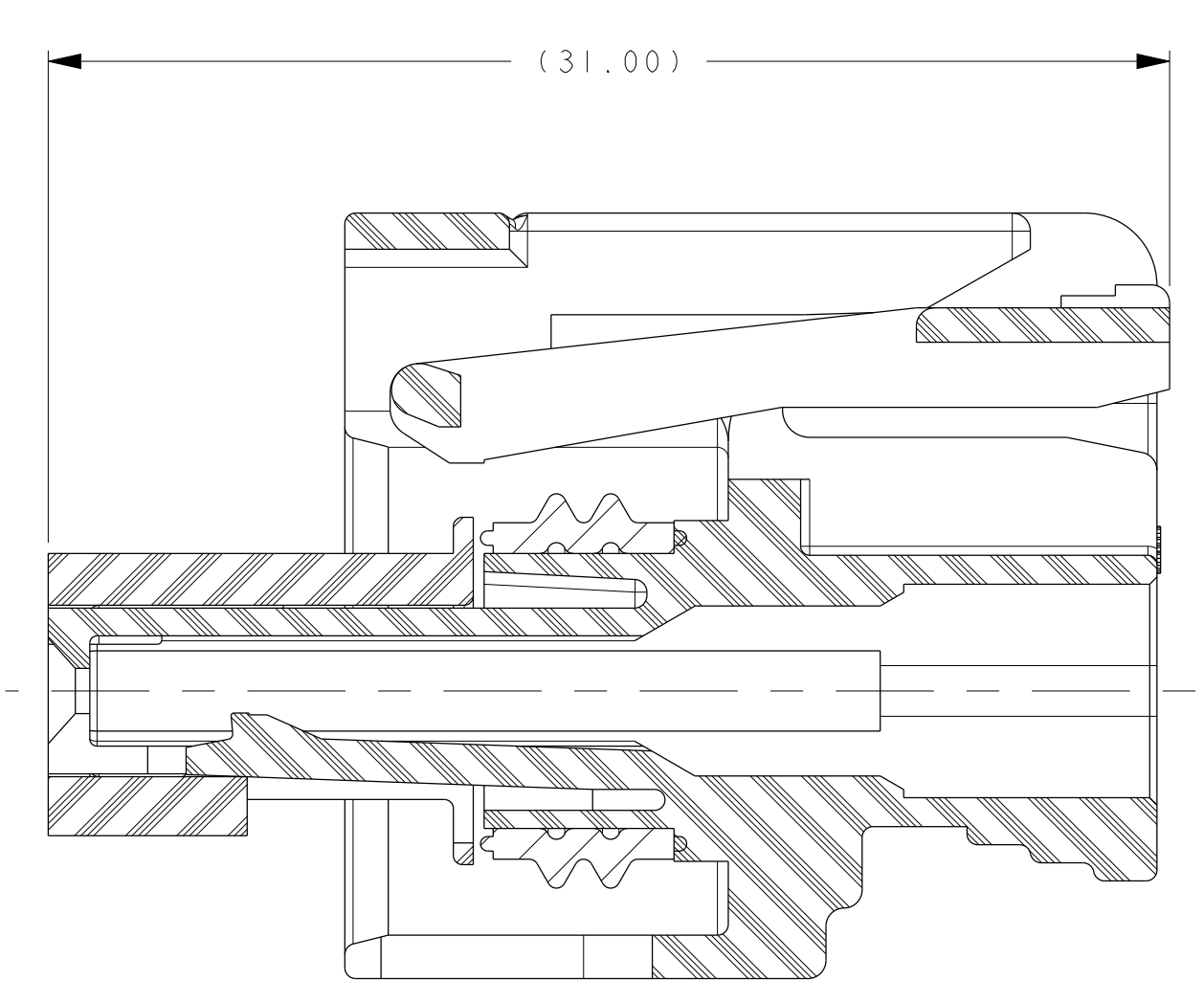
SCALE 1:1



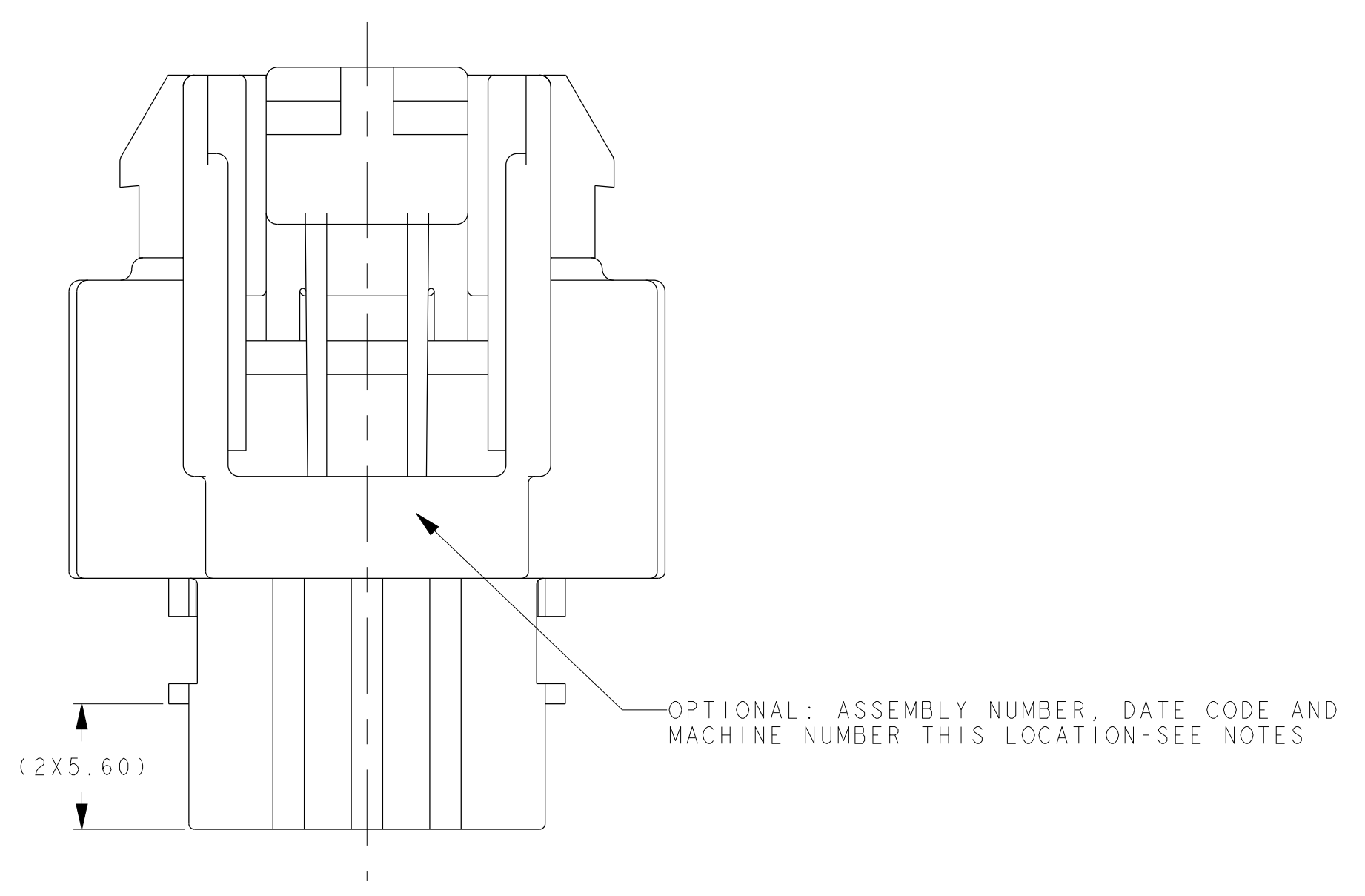
SCALE 1:1



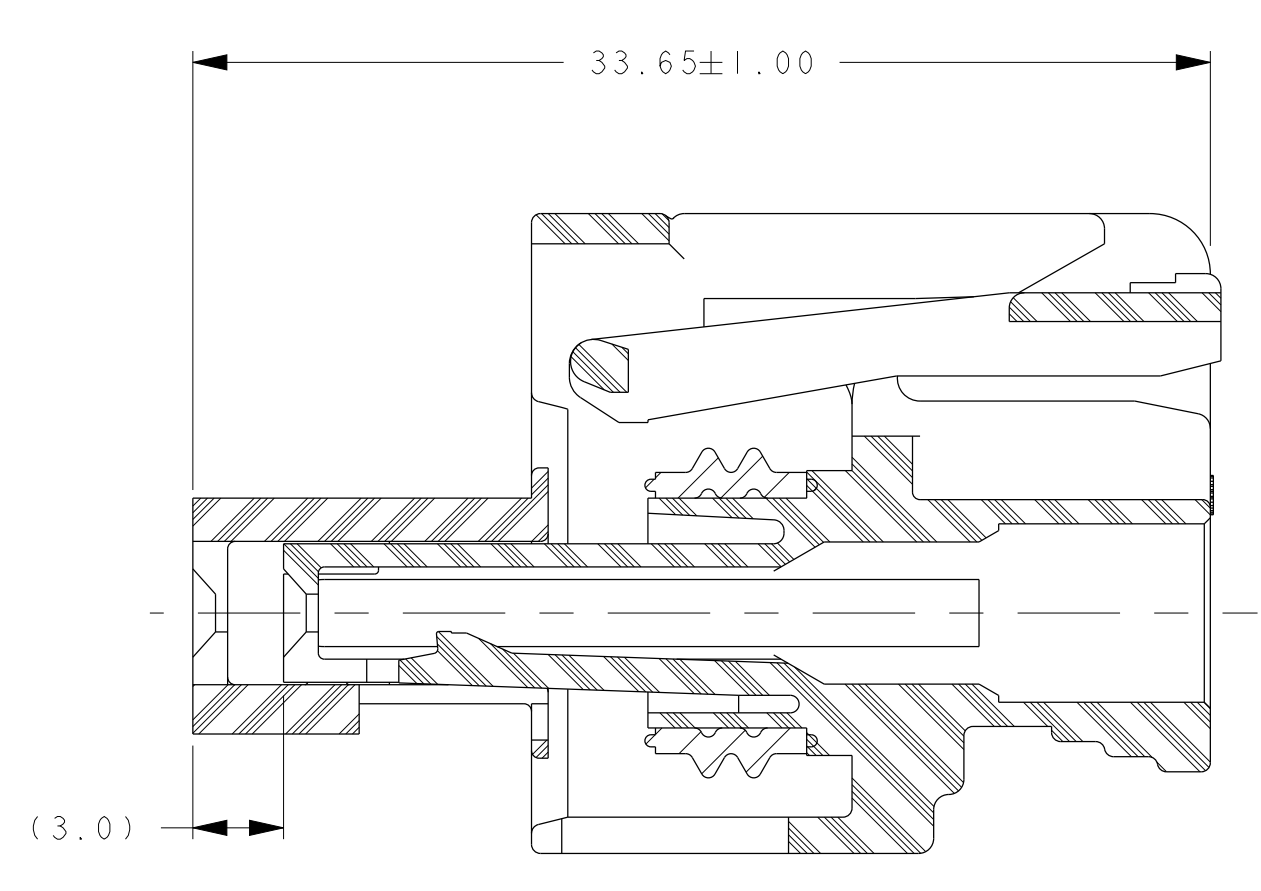
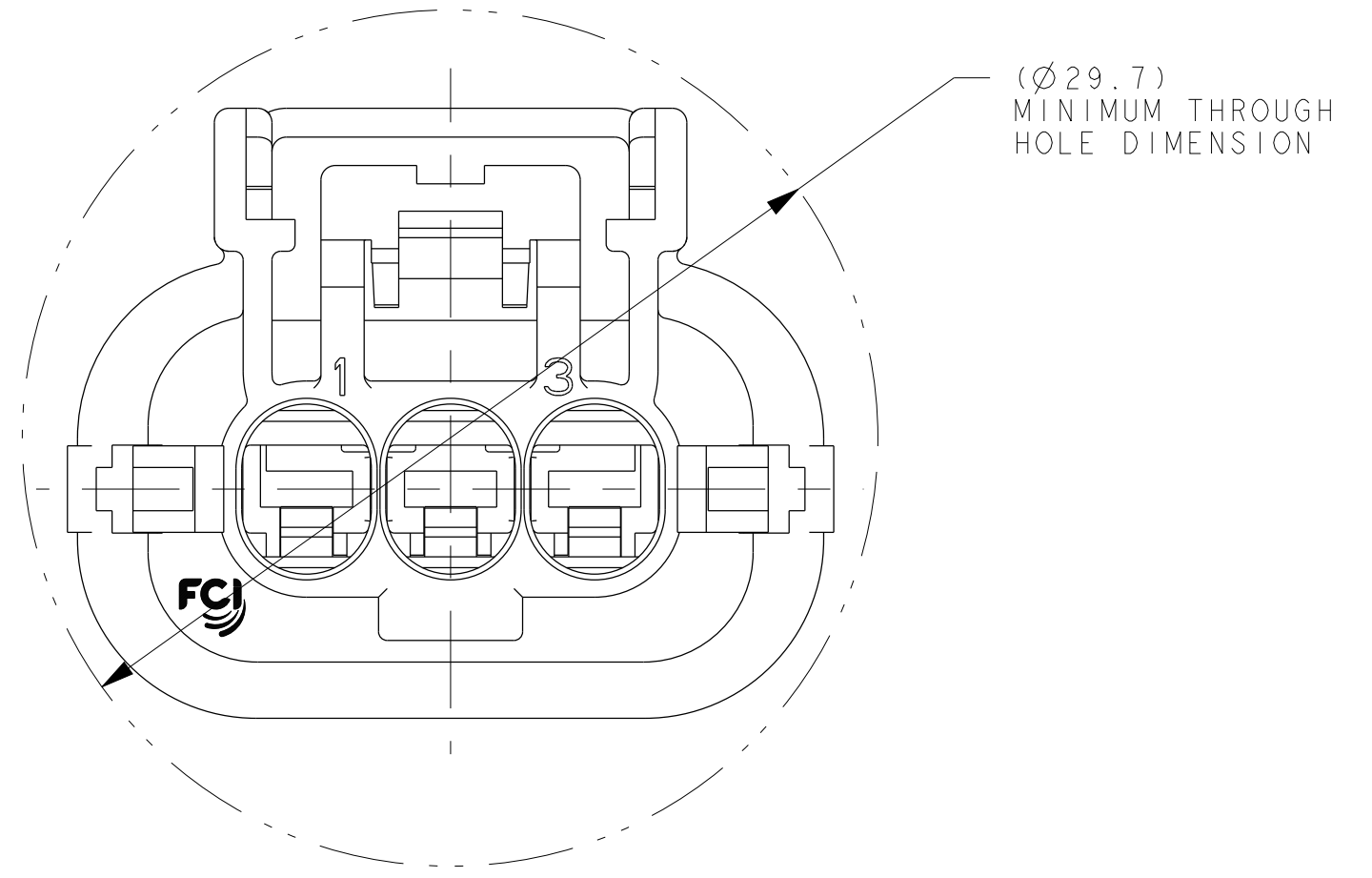
SECTION A-A SHOWN WITH OPTIONAL CPA



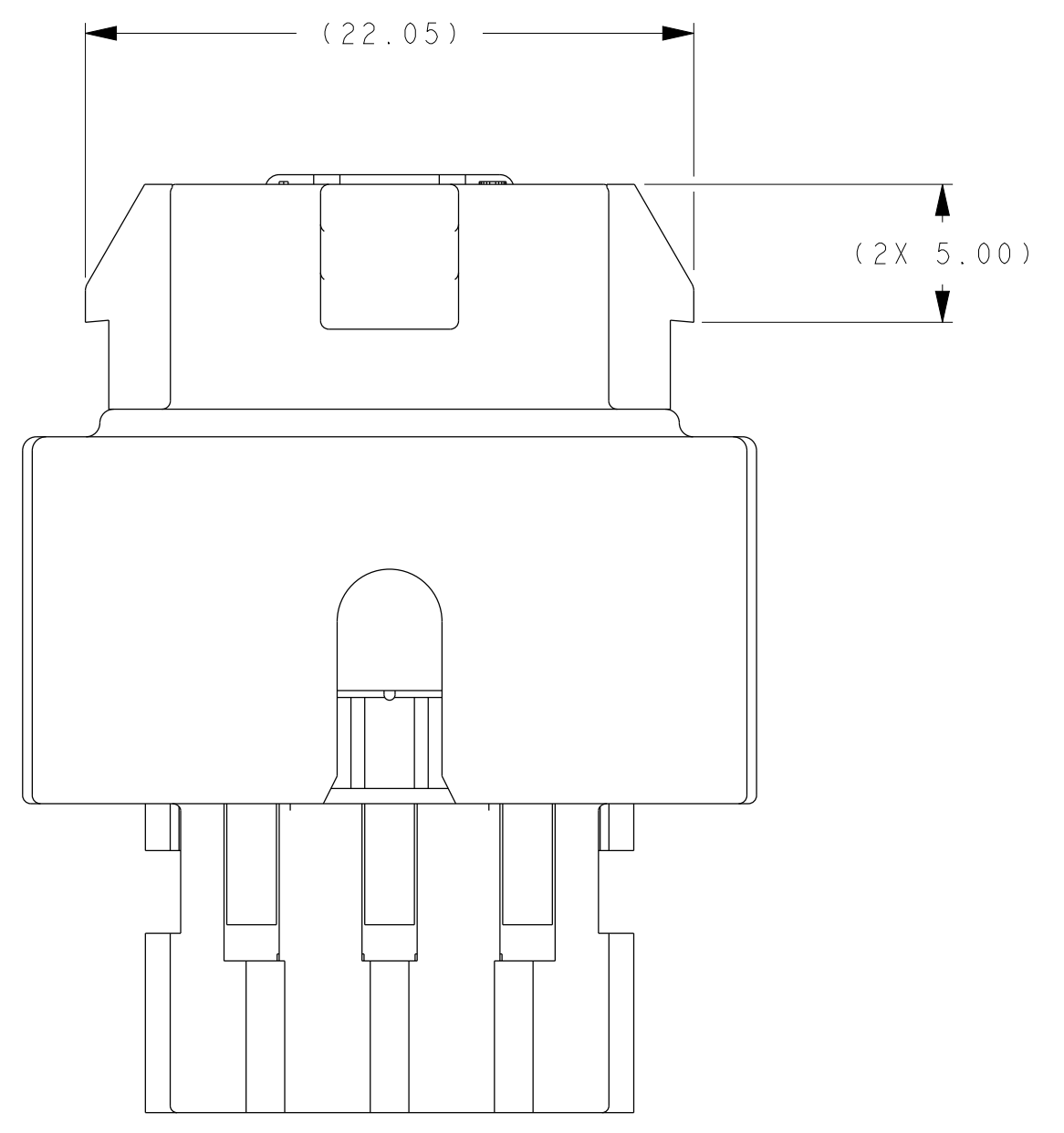
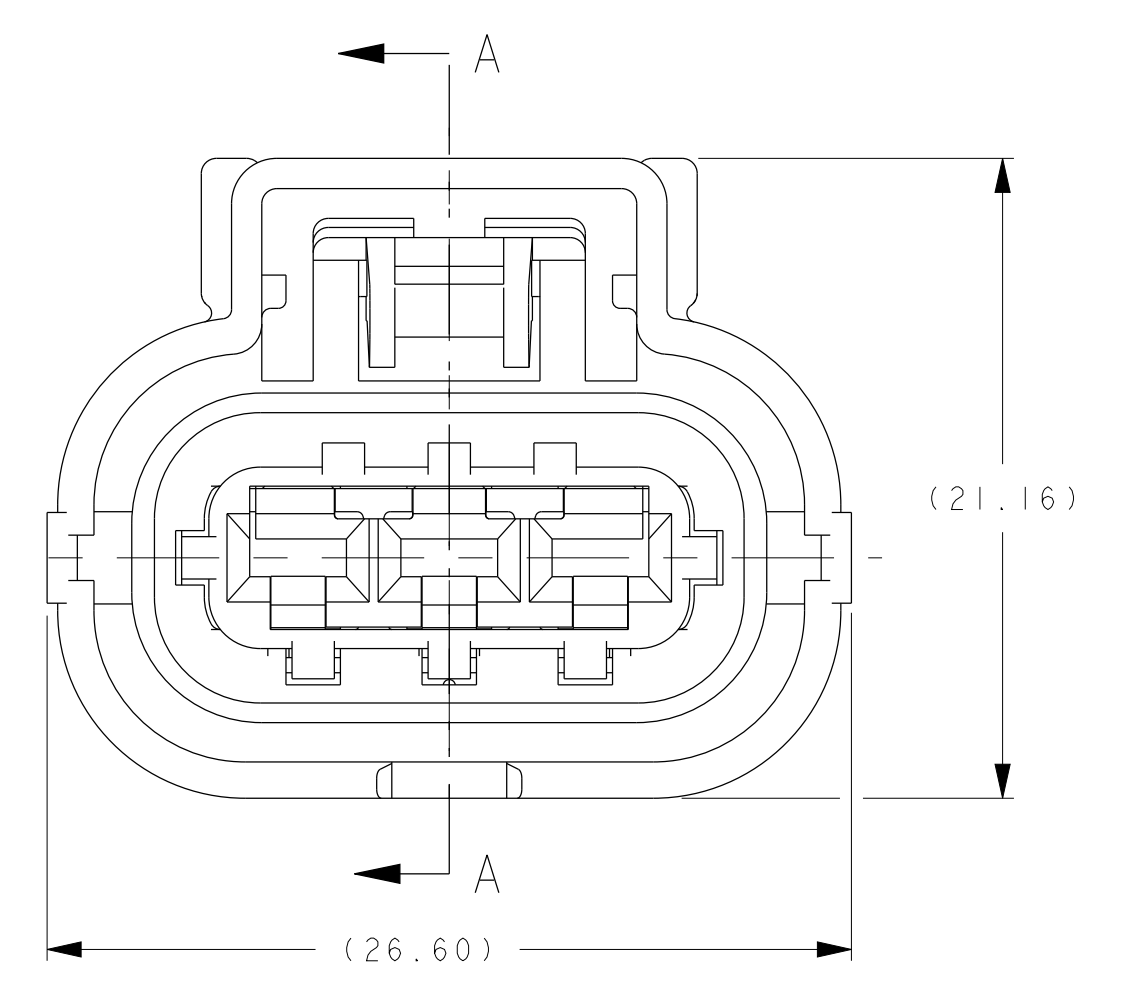
SECTION A-A TPA SHOWN IN FINAL LOCK POSITION



OPTIONAL CONSTRUCTION TPA WITH SHORT RIB



SECTION A-A TPA SHOWN IN PRE-LOCK POSITION



NOTES:

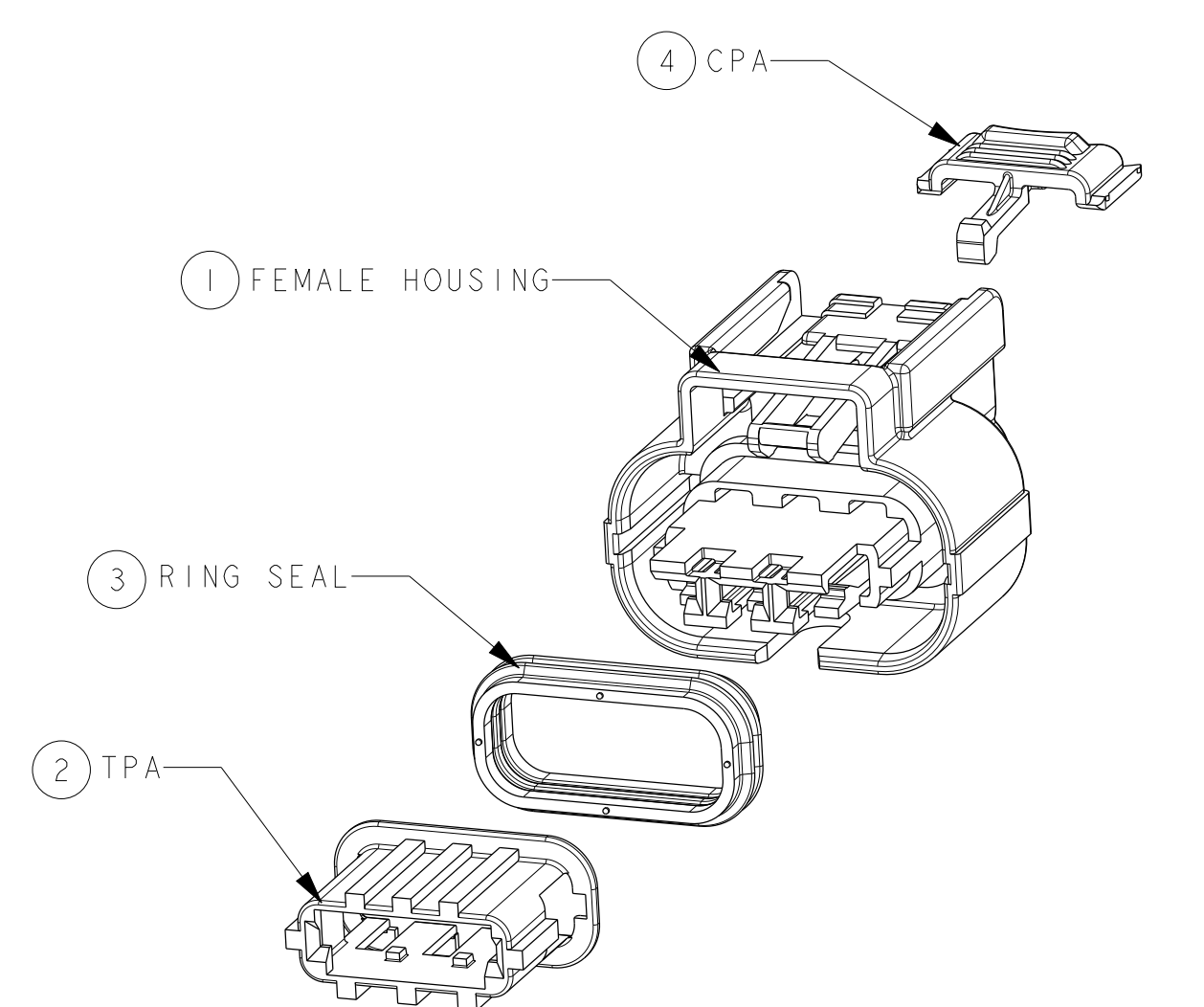
- VALIDATED TO SAE/USCAR-2 REV 5
- VALIDATED TO THE FOLLOWING TEMP, VIBRATION, AND SEALING CLASSES:
  - SAE/USCAR-2 V3 T3 (125°C) WITH GOLD TERMINALS
  - SAE/USCAR-2 SEALING S3 T3 (125°C)(ISO16750 9K EQUIVALENT)
- CONNECTOR MAY BE USED WITH THE FOLLOWING TERMINALS:
  - DELPHI APEX 2.8 TERMINALS LISTED IN THE APPLICABLE COMPONENTS CHART ON THIS DRAWING WITH WIRE SIZES DEFINED IN NOTE 4.
  - SEE DELPHI DRAWING C15004-CUST FOR SPECIFIC TERMINAL DETAILS AND CRIMPING REQUIREMENTS
  - PLATING OF TERMINALS AND MATING DEVICE BLADES MUST BE COMPATIBLE SEE NOTE 5
  - EXCESSIVELY THICK TIN PLATING ON DEVICE BLADES IS NOT RECOMMENDED
- CONNECTOR SYSTEM VALIDATED TO USCAR-2 REQUIREMENTS WITH THE FOLLOWING RANGE OF WIRE SIZES AND TYPES IN CONJUNCTION WITH APPROPRIATE COMPONENTS FOUND IN THE "APPLICABLE COMPONENTS" CHART:
  - AWG - WIRE SIZES: 20AWG - 14AWG
  - INSULATION DIAMETER: 1.70mm MIN - 2.77mm MAX
  - WIRE TYPE: MLI-123-A, MS-8288 OR EQUIVALENT (STRUCTURE AND PROPERTIES ACCORDING TO SAE J1128)
  - METRIC - WIRE SIZE: 0.50mm<sup>2</sup> - 2.50mm<sup>2</sup>
  - INSULATION DIAMETER: 1.40mm MIN - 3.00mm MAX
  - WIRE TYPE: FLR2X-A OR EQUIVALENT (STRUCTURE AND PROPERTIES ACCORDING TO ISO 6722)

CONTACT DELPHI ENGINEERING REGARDING USE OF OTHER WIRE SIZES AND/OR TYPES WIRE AND INSULATION TYPE MUST BE APPROPRIATE FOR TEMPERATURE CLASS & APPLICATION ENVIRONMENT
- CONNECTOR IS MATE COMPATIBLE WITH DEVICES CONFORMING WITH THE FOLLOWING INTERFACE SPECIFICATIONS:
  - BOSCH DWG 1928500000 VARIANT A
  - GM DWG 13115604

FOR CONSTRUCTION OF NEW DEVICES, SEE SHEET 2 FOR INTERFACE DETAILS.

NOTE: EXCESSIVELY THICK TIN PLATING ON DEVICE BLADES IS NOT RECOMMENDED, SEE EWCAP-001 (280-T001) BLADE SPECIFICATION FOR PREFERRED PLATING

DEVICE SUPPLIERS RESPONSIBLE FOR VALIDATING PERFORMANCE OF DEVICE TO SAE/USCAR-2 REV 5
- ANNUAL QUALITY REQUIREMENTS:
  - IT IS PERMISSIBLE TO PERFORM CONTINUOUS PERFORMANCE PER DELPHI SPECIFICATION #80A-001 INSTEAD OF ANNUAL LAYOUT AND ANNUAL PV REQUIREMENTS OF ISO TS16949 AND SAE/USCAR-2 REV 5. FOR TERMINAL TO CONNECTOR AND TPA TO CONNECTOR ONLY.
- SOURCE ID, MOLD & CAVITY ID SIGNIFIES TOOL OWNERSHIP, FOR REFERENCE
- (K) INDICATES IN-PROCESS INSPECTION FOR MANUFACTURING DIMENSIONS OR SPECIFICATIONS.



SCALE 2:1

REV	DATE	BY	CHKD	DESCRIPTION
1				ECO 423850, UPDATE VIEWS FOR DESIGN IMPROVEMENT TO CPA F152210, DELPHI P/N'S ADDED FOR W/L P/N'S, REVISED NOTE 5, REMOVED PART NUMBERS 54001432, 54001448, 54001840 AND 54001879, ADD SHEET 2 WITH INTERFACE DETAILS
2				REVISED NOTE 4 WITH 0.5mm WIRE INFO
3				CORRECTED WIRE INSULATION DIA RANGE FOR F516000 2.18mm-2.80mm WAS 2.18mm-2.77mm
4				CORRECTED PART NUMBER: F131210 WAS F181210
5				NEW RELEASE - RELEASED AT REV 0

REV	DATE	BY	CHKD	DESCRIPTION
1				ECO 423850, UPDATE VIEWS FOR DESIGN IMPROVEMENT TO CPA F152210, DELPHI P/N'S ADDED FOR W/L P/N'S, REVISED NOTE 5, REMOVED PART NUMBERS 54001432, 54001448, 54001840 AND 54001879, ADD SHEET 2 WITH INTERFACE DETAILS
2				REVISED NOTE 4 WITH 0.5mm WIRE INFO
3				CORRECTED WIRE INSULATION DIA RANGE FOR F516000 2.18mm-2.80mm WAS 2.18mm-2.77mm
4				CORRECTED PART NUMBER: F131210 WAS F181210
5				NEW RELEASE - RELEASED AT REV 0

REV	DATE	BY	CHKD	DESCRIPTION
1				ECO 423850, UPDATE VIEWS FOR DESIGN IMPROVEMENT TO CPA F152210, DELPHI P/N'S ADDED FOR W/L P/N'S, REVISED NOTE 5, REMOVED PART NUMBERS 54001432, 54001448, 54001840 AND 54001879, ADD SHEET 2 WITH INTERFACE DETAILS
2				REVISED NOTE 4 WITH 0.5mm WIRE INFO
3				CORRECTED WIRE INSULATION DIA RANGE FOR F516000 2.18mm-2.80mm WAS 2.18mm-2.77mm
4				CORRECTED PART NUMBER: F131210 WAS F181210
5				NEW RELEASE - RELEASED AT REV 0





Компания «ЭлектроПласт» предлагает заключение долгосрочных отношений при поставках импортных электронных компонентов на взаимовыгодных условиях!

Наши преимущества:

- Оперативные поставки широкого спектра электронных компонентов отечественного и импортного производства напрямую от производителей и с крупнейших мировых складов;
- Поставка более 17-ти миллионов наименований электронных компонентов;
- Поставка сложных, дефицитных, либо снятых с производства позиций;
- Оперативные сроки поставки под заказ (от 5 рабочих дней);
- Экспресс доставка в любую точку России;
- Техническая поддержка проекта, помощь в подборе аналогов, поставка прототипов;
- Система менеджмента качества сертифицирована по Международному стандарту ISO 9001;
- Лицензия ФСБ на осуществление работ с использованием сведений, составляющих государственную тайну;
- Поставка специализированных компонентов (Xilinx, Altera, Analog Devices, Intersil, Interpoint, Microsemi, Aeroflex, Peregrine, Syfer, Eurofarad, Texas Instrument, Miteq, Cobham, E2V, MA-COM, Hittite, Mini-Circuits, General Dynamics и др.);

Помимо этого, одним из направлений компании «ЭлектроПласт» является направление «Источники питания». Мы предлагаем Вам помощь Конструкторского отдела:

- Подбор оптимального решения, техническое обоснование при выборе компонента;
- Подбор аналогов;
- Консультации по применению компонента;
- Поставка образцов и прототипов;
- Техническая поддержка проекта;
- Защита от снятия компонента с производства.



#### Как с нами связаться

**Телефон:** 8 (812) 309 58 32 (многоканальный)

**Факс:** 8 (812) 320-02-42

**Электронная почта:** [org@eplast1.ru](mailto:org@eplast1.ru)

**Адрес:** 198099, г. Санкт-Петербург, ул. Калинина, дом 2, корпус 4, литера А.