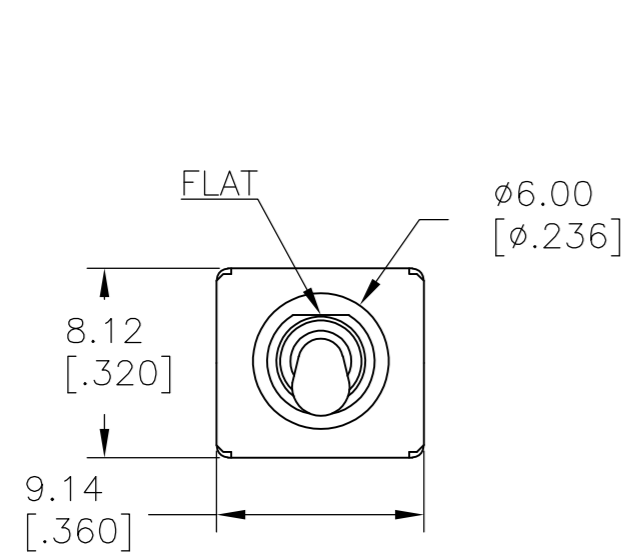


THIS DRAWING IS UNPUBLISHED. RELEASED FOR PUBLICATION  
 © COPYRIGHT - By - ALL RIGHTS RESERVED.

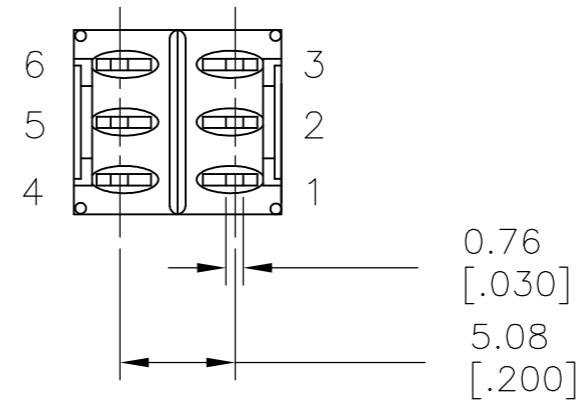
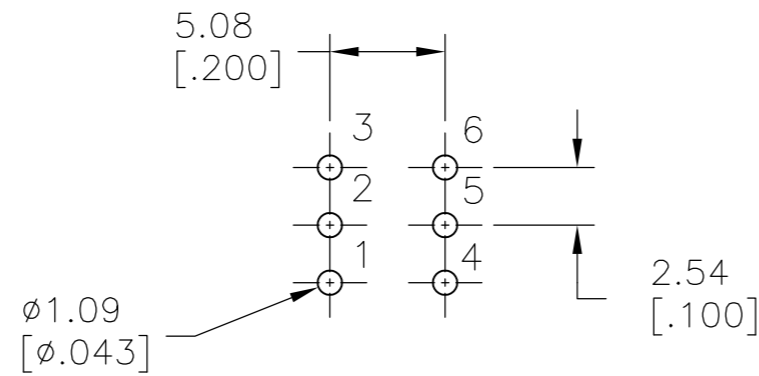
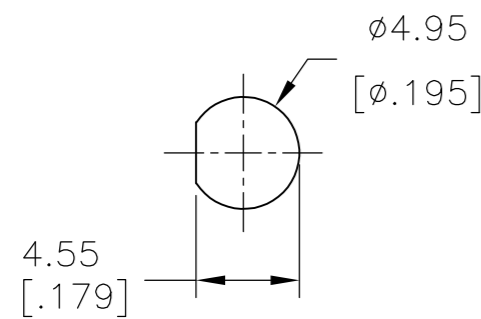
LOC		DIST		REVISIONS			
P	LTR	DESCRIPTION	DATE	DWN	APVD		
	A	NEW DRAWING PER ECO-14-009318	11JUL2014	NK	RH		



PANEL MOUNTING



P.C. MOUNTING



MODEL NO.	POS.1	POS.2	POS.3
TMS	ON	NONE	ON
TERM. COMM.	2-3,5-6	N/A	2-1,5-4
SCHEMATIC			

SWITCH FUNCTION

LAYOUT FOR PN 2267078-8

SPECIFICATIONS

- MECHANICAL LIFE: 30,000 MAKE-AND-BREAK CYCLES.
- CONTACT RESISTANCE: 20 mΩ MAX. INITIAL @ 2-4VDC  
100mA FOR BOTH SILVER AND GOLD PLATED CONTACTS.
- CONTACT RATING: GOLD PLATED: 0.4VA MAX @ 20 V MAX (AC OR DC)
- INSULATION RESISTANCE: 1,000 MΩ MIN.
- DIELECTRIC STRENGTH: 1,000 Vrms MIN.@SEA LEVEL.
- OPERATING TEMPERATURE: -30°C TO 85°C.

CONTACT MATERIAL	FUNCTION	TERMINATION	MOUNT ANGLE	POLES	THROWS	DESCRIPTIVE PN	TE PN
GOLD	ON-ON	PC THROUGH HOLE	RIGHT ANGLE	2	2	TMD1T5B2M6RE	2267078-9
GOLD	ON-ON	PC THROUGH HOLE	VERTICAL	2	2	TMD1T5B2M2RE	2267078-8
GOLD	ON-OFF-ON	PC THROUGH HOLE	VERTICAL RIGHT ANGLE	1	2	TMS3T5B2M7RE	2267078-7
GOLD	ON-OFF-ON	PC THROUGH HOLE	RIGHT ANGLE	1	2	TMS3T5B2M6RE	2267078-6
GOLD	ON-OFF-ON	PC THROUGH HOLE	VERTICAL	1	2	TMS3T5B2M2RE	2267078-5
GOLD	ON-ON	PC THROUGH HOLE	VERTICAL RIGHT ANGLE	1	2	TMS1T5B2M7RE	2267078-4
GOLD	ON-ON	PC THROUGH HOLE	RIGHT ANGLE	1	2	TMS1T5B2M6RE	2267078-3
GOLD	ON-ON	PC THROUGH HOLE	VERTICAL	1	2	TMS1T5B2M2RE	2267078-2
GOLD	OFF-ON	PC THROUGH HOLE	VERTICAL	1	2	TMS6T5B2M2RE	2267078-1

THIS DRAWING IS A CONTROLLED DOCUMENT.

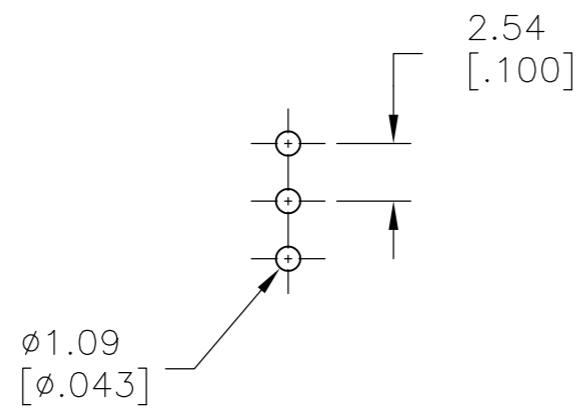
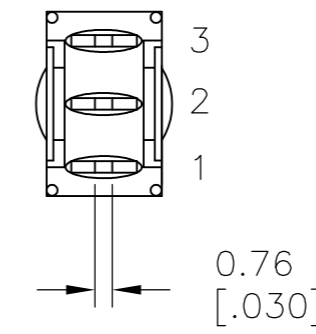
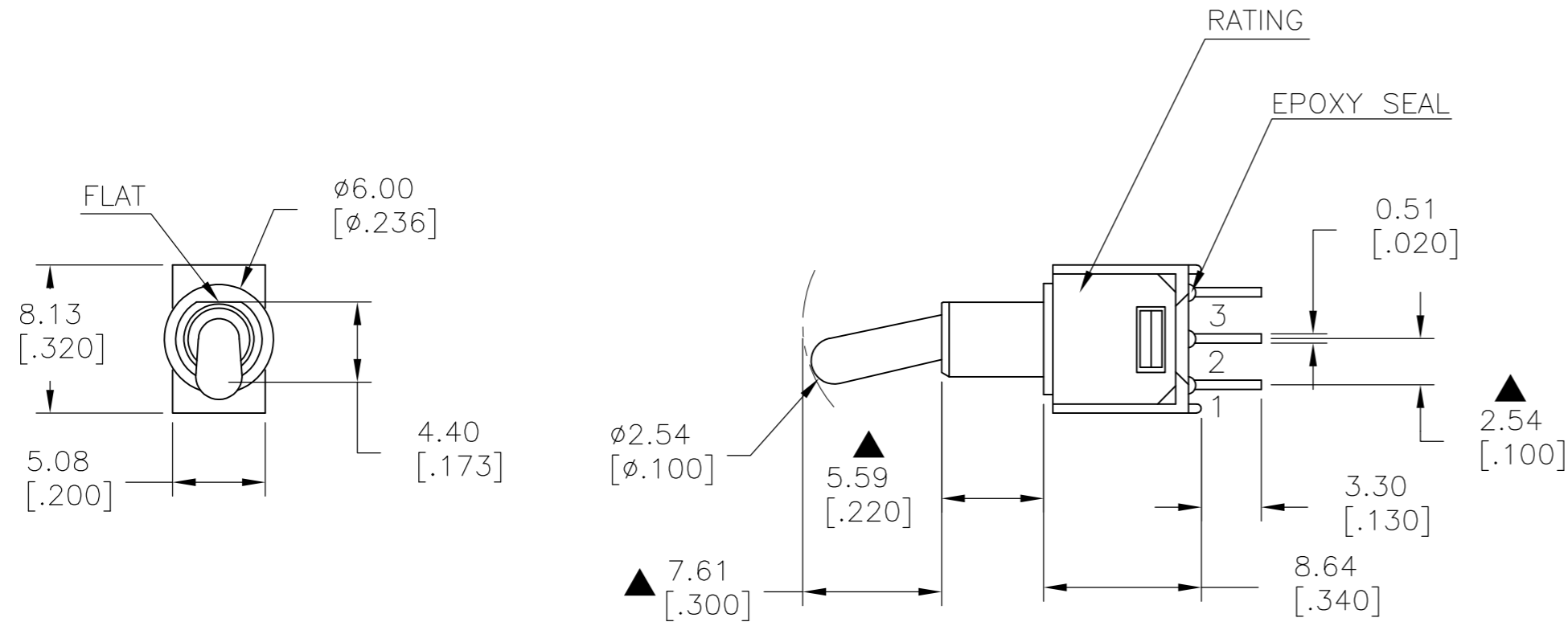
DWN: NAGALAKSHMI K 11JUL2014	 TE Connectivity SUBMINIATURE TOGGLE SWITCH
CHK: HILL, RYAN 11JUL2014	
APVD: HILL, RYAN 11JUL2014	
PRODUCT SPEC	
MATERIAL: -	NAME: -
DIMENSIONS: mm [INCHES]	SIZE: A2
TOLERANCES UNLESS OTHERWISE SPECIFIED:	CAGE CODE: 00779
0 PLC ± -	DRAWING NO: C=2267078
1 PLC ± 0.38[.015]	RESTRICTED TO: -
2 PLC ± 0.25[.010]	SCALE: 3:1
3 PLC ± -	SHEET: 1 of 9
4 PLC ± -	REV: A
ANGLES ± 5°	
FINISH: -	
WEIGHT: -	
CUSTOMER DRAWING	

THIS DRAWING IS UNPUBLISHED. RELEASED FOR PUBLICATION  
 © COPYRIGHT - By - ALL RIGHTS RESERVED.

LOC		DIST		REVISIONS			
P	LTR	DESCRIPTION	DATE	DWN	APVD		
-	-	SEE SHEET 1	-	-	-		

MODEL NO.	POS.1	POS.2	POS.3
TMS	ON	NONE	ON
TERM. COMM.	2-3	OPEN	2-1
SCHEMATIC			

SWITCH FUNCTION



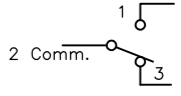
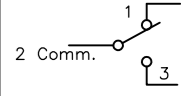
P.C. MOUNTING

LAYOUT FOR PN 2267078-2

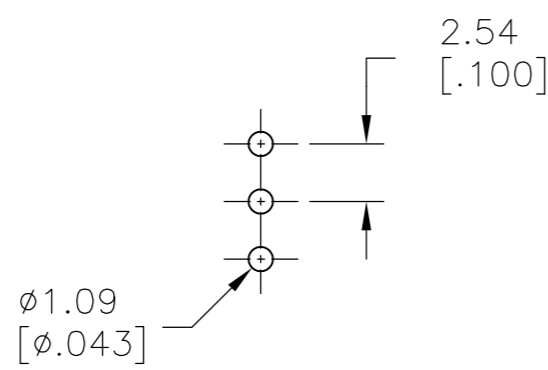
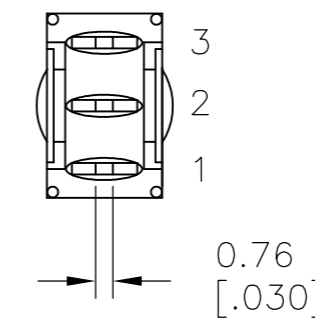
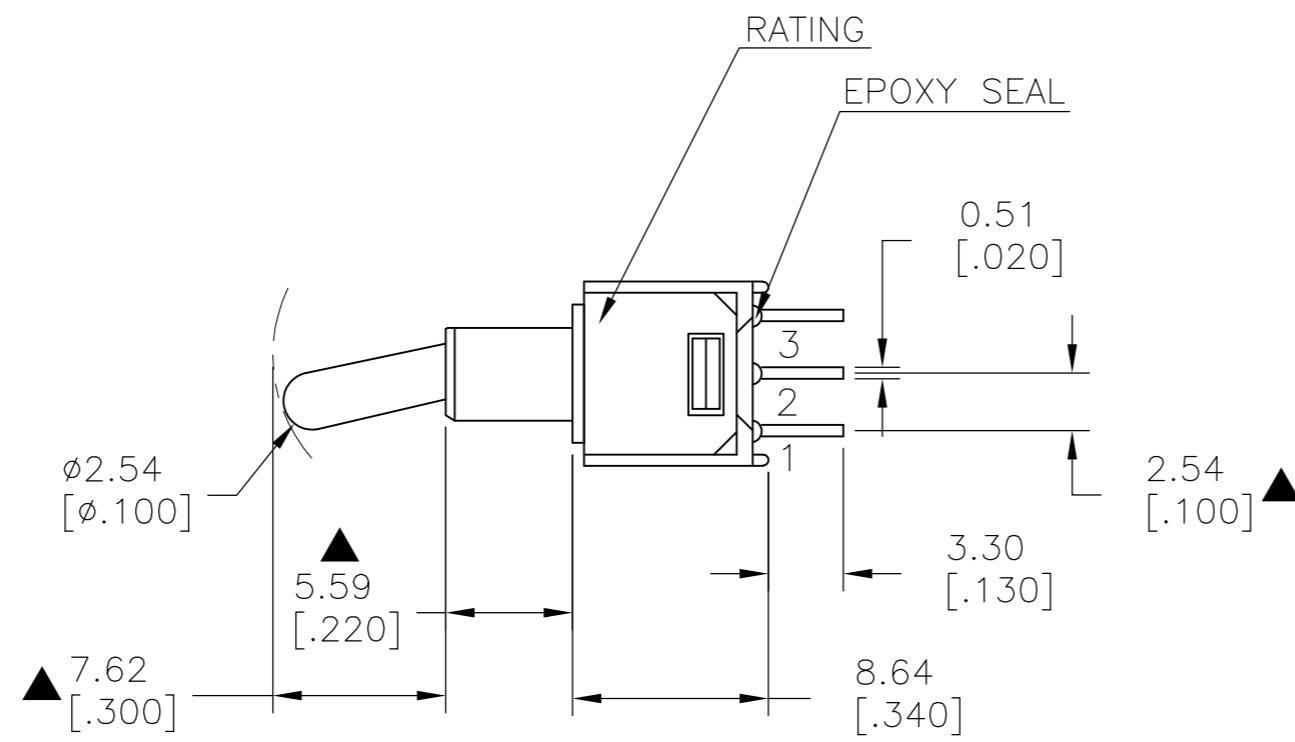
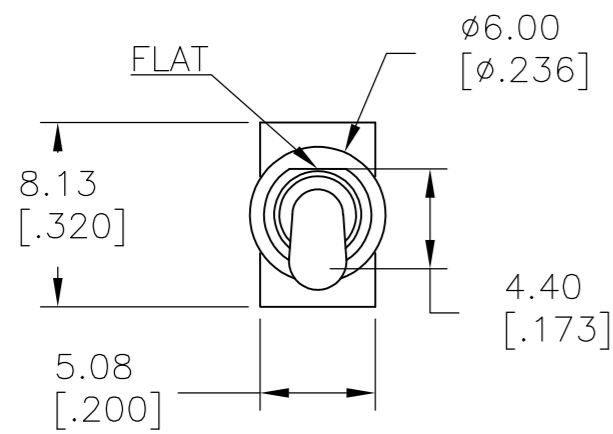
THIS DRAWING IS A CONTROLLED DOCUMENT.		DWN 11JUL2014 NAGALAKSHMI K	TE Connectivity	
DIMENSIONS: mm [INCHES]		CHK 11JUL2014 HILL, RYAN		
TOLERANCES UNLESS OTHERWISE SPECIFIED:		APVD 11JUL2014 HILL, RYAN	NAME	
0 PLC ± -		PRODUCT SPEC	SUBMINIATURE TOGGLE SWITCH	
1 PLC ± 0.38[.015]		APPLICATION SPEC	SIZE	CAGE CODE
2 PLC ± 0.25[.010]		WEIGHT	A2	00779
3 PLC ± -		CUSTOMER DRAWING	DRAWING NO C=2267078	
4 PLC ± -		SCALE	3:1	SHEET
ANGLES ± 5°		RESTRICTED TO	-	
FINISH		SCALE	3:1	SHEET
MATERIAL		REV	A	

THIS DRAWING IS UNPUBLISHED. RELEASED FOR PUBLICATION  
 © COPYRIGHT - By - ALL RIGHTS RESERVED.

LOC		DIST		REVISIONS			
P	LTR	DESCRIPTION	DATE	DWN	APVD		
-	-	SEE SHEET 1	-	-	-		


MODEL NO.	POS.1	POS.2	POS.3
TMS	ON	OFF	ON
TERM. COMM.	2-3	OPEN	2-1
SCHEMATIC			

SWITCH FUNCTION



P.C. MOUNTING

LAYOUT FOR PN 2267078-5

THIS DRAWING IS A CONTROLLED DOCUMENT.		DWN NAGALAKSHMI K 11JUL2014	 TE Connectivity	
DIMENSIONS: mm [INCHES]		CHK HILL, RYAN 11JUL2014		
TOLERANCES UNLESS OTHERWISE SPECIFIED:		APVD HILL, RYAN 11JUL2014	NAME	
0 PLC ± - 1 PLC ± 0.38[.015] 2 PLC ± 0.25[.010] 3 PLC ± - 4 PLC ± - ANGLES ± 5°		PRODUCT SPEC	SUBMINIATURE TOGGLE SWITCH	
MATERIAL		FINISH	WEIGHT	RESTRICTED TO
-		-	-	-
CUSTOMER DRAWING		SCALE 3:1	SHEET 3 of 9	REV A



THIS DRAWING IS UNPUBLISHED. RELEASED FOR PUBLICATION  
 © COPYRIGHT - By - ALL RIGHTS RESERVED.

LOC		DIST		REVISIONS			
P	LTR	DESCRIPTION	DATE	DWN	APVD		
-	-	SEE SHEET 1	-	-	-		



MODEL NO.	POS.1	POS.2	POS.3
TMS	ON	NONE	ON
TERM. COMM.	2-3,5-6	N/A	2-1,5-4
SCHEMATIC			

SWITCH FUNCTION



PANEL MOUNTING



P.C. MOUNTING

LAYOUT FOR PN 2267078-9

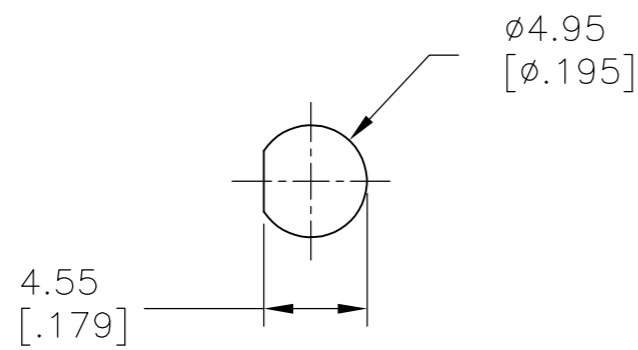
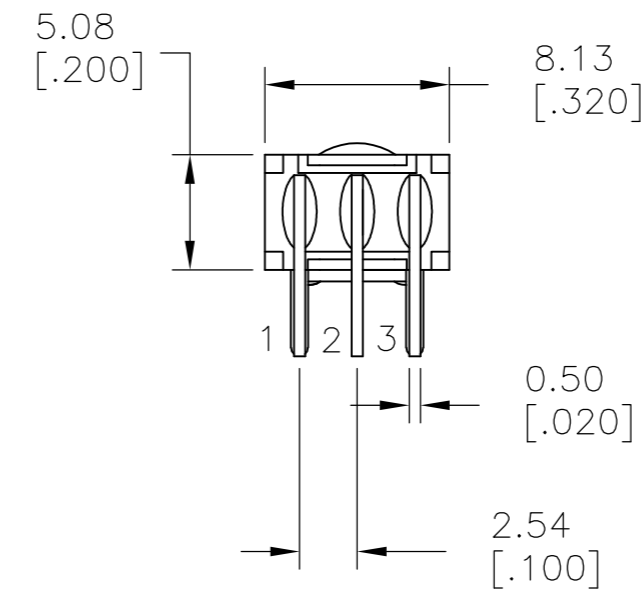
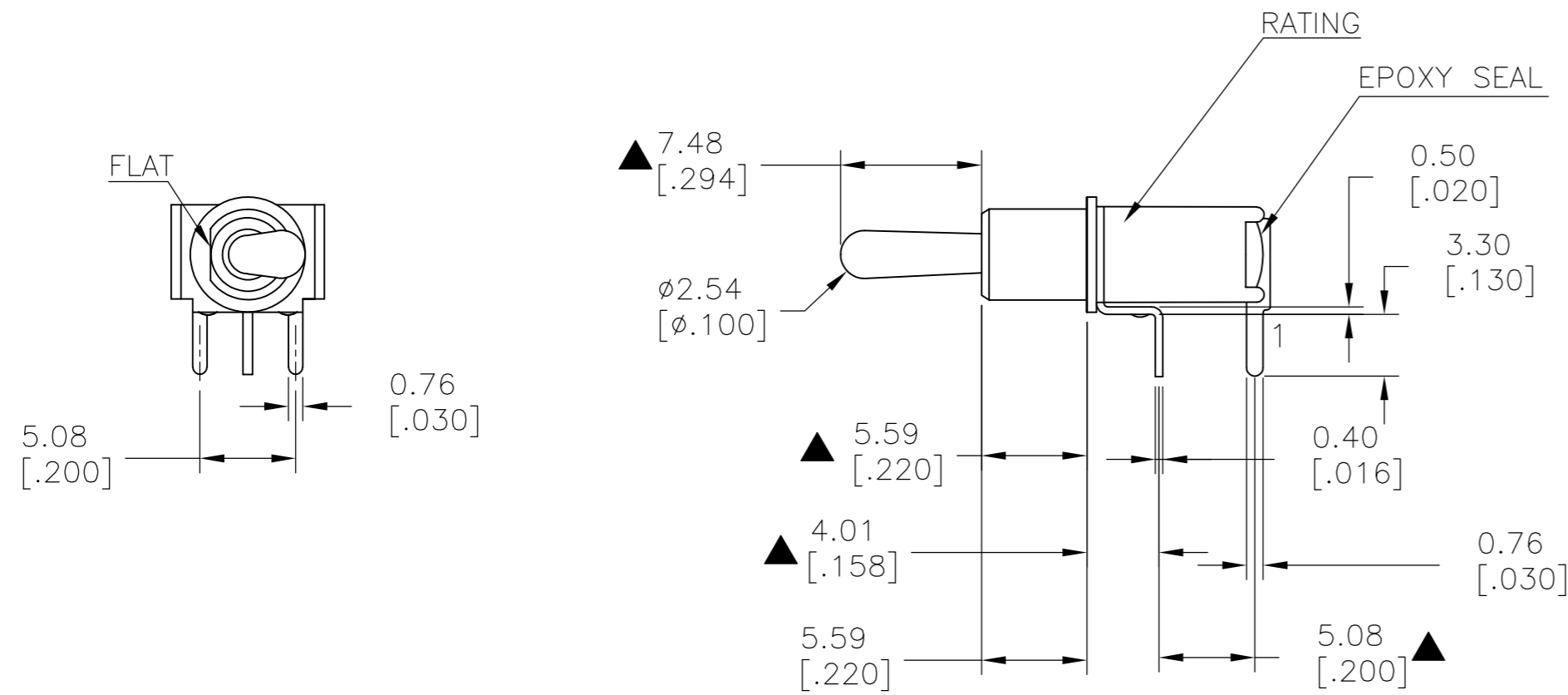
THIS DRAWING IS A CONTROLLED DOCUMENT.		DWN 11JUL2014 NAGALAKSHMI K		
DIMENSIONS: mm [INCHES]		CHK 11JUL2014 HILL, RYAN		
TOLERANCES UNLESS OTHERWISE SPECIFIED:		APVD 11JUL2014 HILL, RYAN	NAME	
0 PLC ± -	1 PLC ± 0.38[.015]	PRODUCT SPEC	SUBMINIATURE TOGGLE SWITCH	
2 PLC ± 0.25[.010]	3 PLC ± -	APPLICATION SPEC	SIZE	CAGE CODE
4 PLC ± -	ANGLES ± 5°	WEIGHT	A2	00779
MATERIAL	FINISH	CUSTOMER DRAWING	DRAWING NO	RESTRICTED TO
-	-	SCALE 3:1	C=2267078	-
			SHEET 5 of 9	REV A

THIS DRAWING IS UNPUBLISHED. RELEASED FOR PUBLICATION  
 © COPYRIGHT - By - ALL RIGHTS RESERVED.

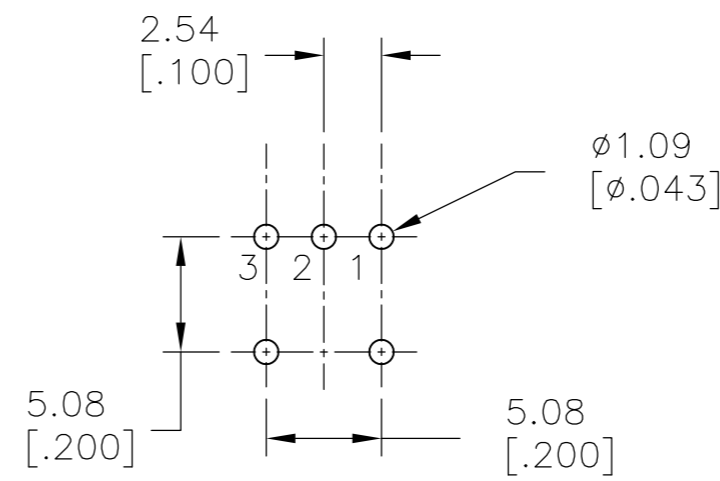
LOC		DIST		REVISIONS			
P	LTR	DESCRIPTION		DATE	DWN	APVD	
-	-	SEE SHEET 1		-	-	-	

MODEL NO.	POS.1	POS.2	POS.3
TMS	ON	NONE	ON
TERM. COMM.	2-3	N/A	2-1
SCHEMATIC			

SWITCH FUNCTION



PANEL MOUNTING



P.C. MOUNTING

LAYOUT FOR PN 2267078-3

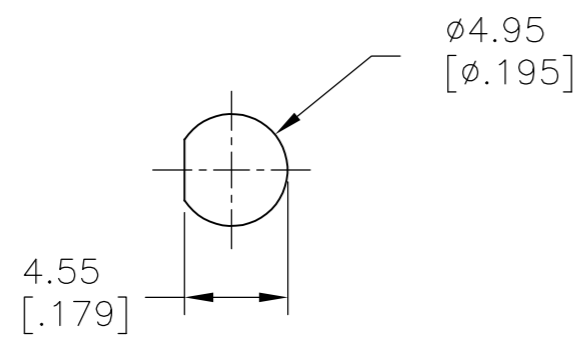
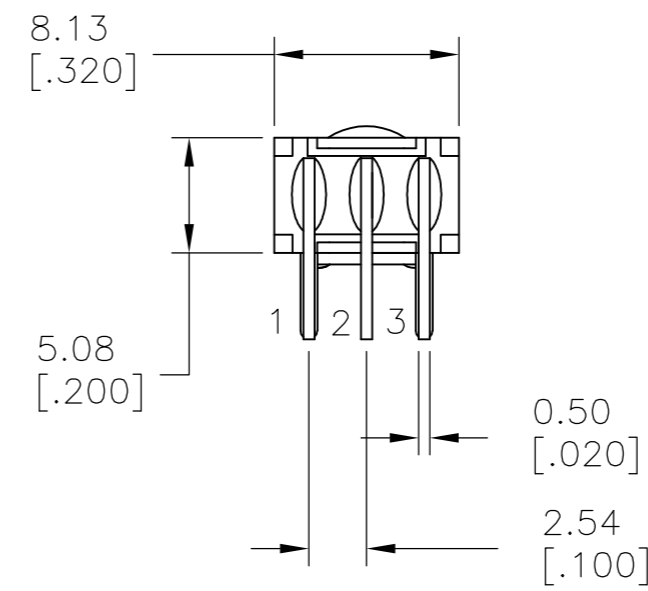
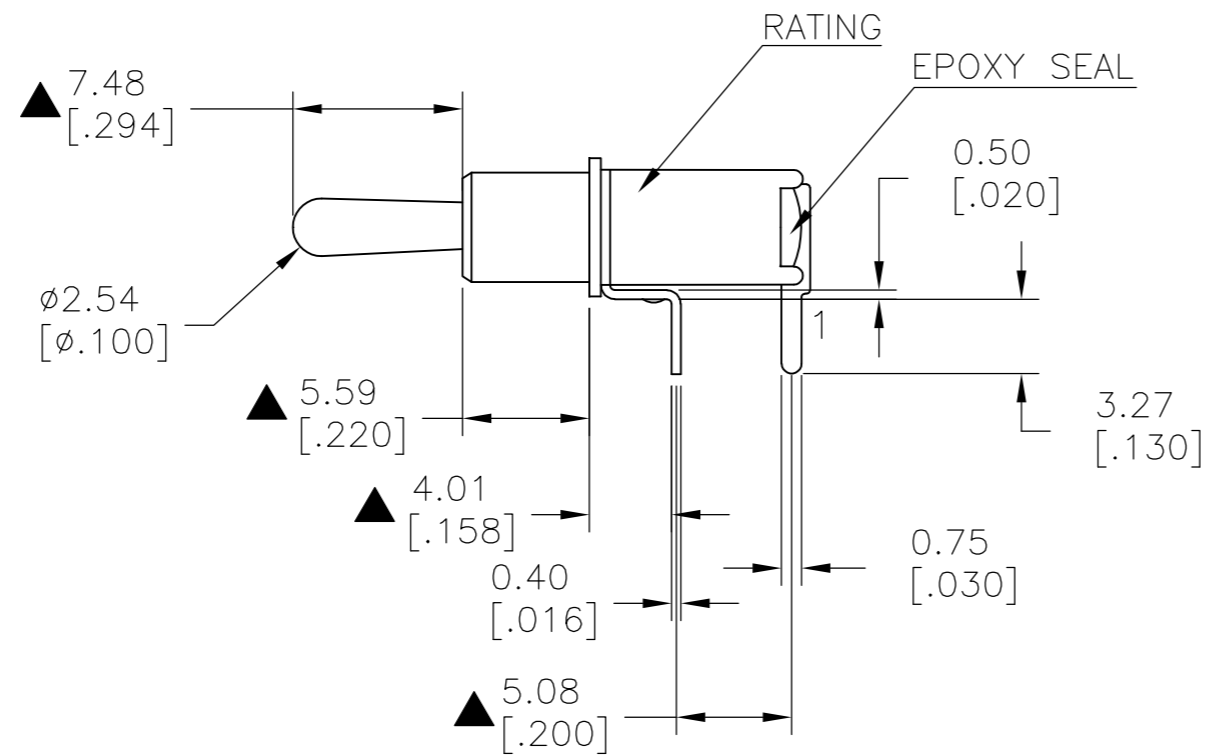
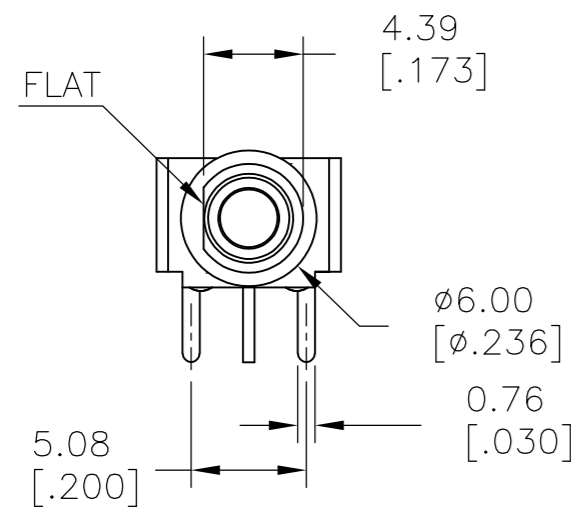
THIS DRAWING IS A CONTROLLED DOCUMENT.		DWN 11JUL2014 NAGALAKSHMI K		
DIMENSIONS: mm [INCHES]		CHK 11JUL2014 HILL, RYAN		
TOLERANCES UNLESS OTHERWISE SPECIFIED:		APVD 11JUL2014 HILL, RYAN	NAME	
0 PLC ± -		PRODUCT SPEC	SUBMINIATURE TOGGLE SWITCH	
1 PLC ± 0.38[.015]		APPLICATION SPEC	SIZE	CAGE CODE
2 PLC ± 0.25[.010]		WEIGHT	A2	00779
3 PLC ± -		CUSTOMER DRAWING	DRAWING NO. C=2267078	
4 PLC ± -		FINISH	SCALE	SHEET
ANGLES ± 5°			3:1	6 of 9
MATERIAL			RESTRICTED TO	REV
				A

THIS DRAWING IS UNPUBLISHED. RELEASED FOR PUBLICATION  
 © COPYRIGHT - By - ALL RIGHTS RESERVED.

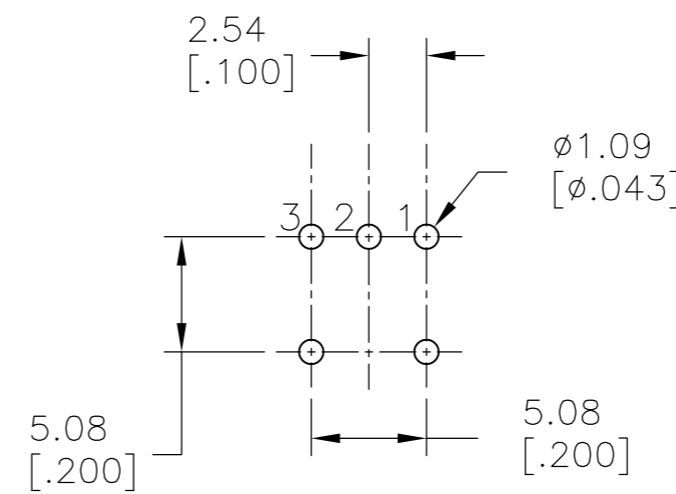
LOC		DIST		REVISIONS			
P	LTR	DESCRIPTION	DATE	DWN	APVD		
-	-	SEE SHEET 1	-	-	-		

MODEL NO.	POS.1	POS.2	POS.3
TMS	ON	NONE	ON
TERM. COMM.	2-3	N/A	2-1
SCHEMATIC			

SWITCH FUNCTION



PANEL MOUNTING



P.C. MOUNTING

LAYOUT FOR PN 2267078-6

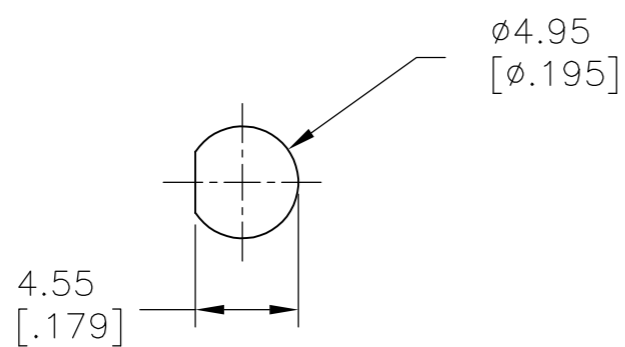
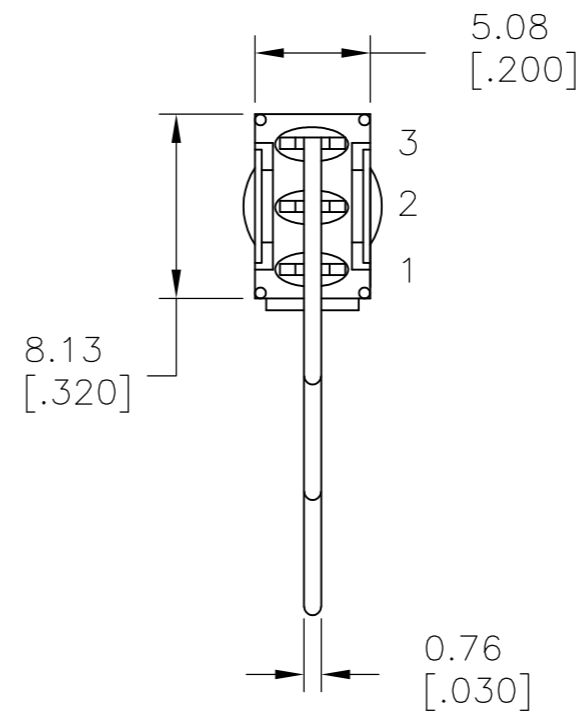
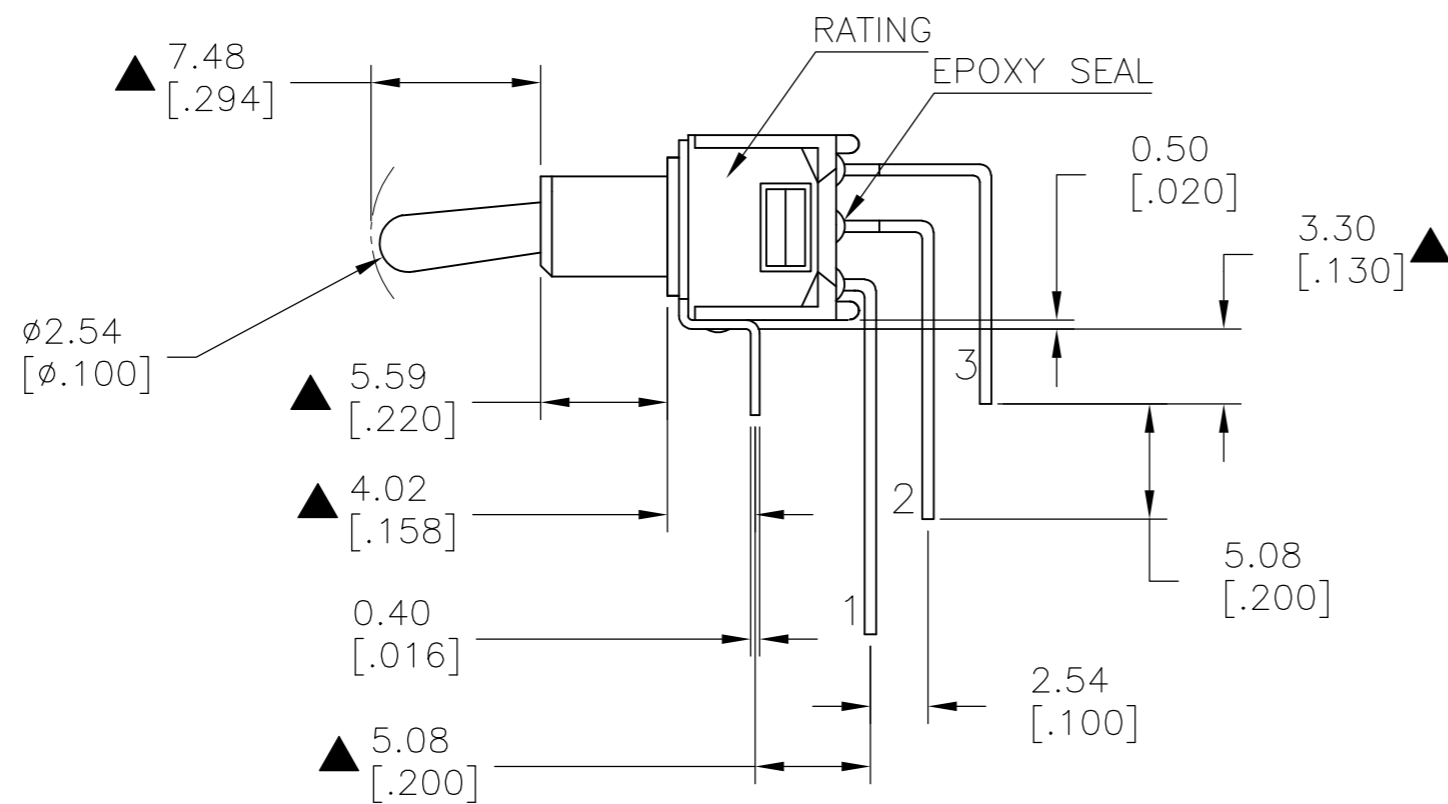
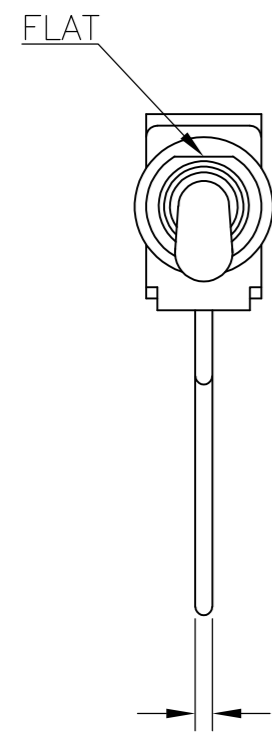
THIS DRAWING IS A CONTROLLED DOCUMENT.		DWN 11JUL2014 NAGALAKSHMI K		
DIMENSIONS: mm [INCHES]		CHK 11JUL2014 HILL, RYAN		
TOLERANCES UNLESS OTHERWISE SPECIFIED:		APVD 11JUL2014 HILL, RYAN	NAME	
0 PLC ± -		PRODUCT SPEC	SUBMINIATURE TOGGLE SWITCH	
1 PLC ± 0.38[.015]		APPLICATION SPEC	SIZE	CAGE CODE
2 PLC ± 0.25[.010]		WEIGHT	A2	00779
3 PLC ± -		CUSTOMER DRAWING	SCALE	DRAWING NO
4 PLC ± -			3:1	C=2267078
ANGLES ± 5°			SHEET	RESTRICTED TO
FINISH			7 of 9	-
			REV	A

THIS DRAWING IS UNPUBLISHED. RELEASED FOR PUBLICATION  
 © COPYRIGHT - By - ALL RIGHTS RESERVED.

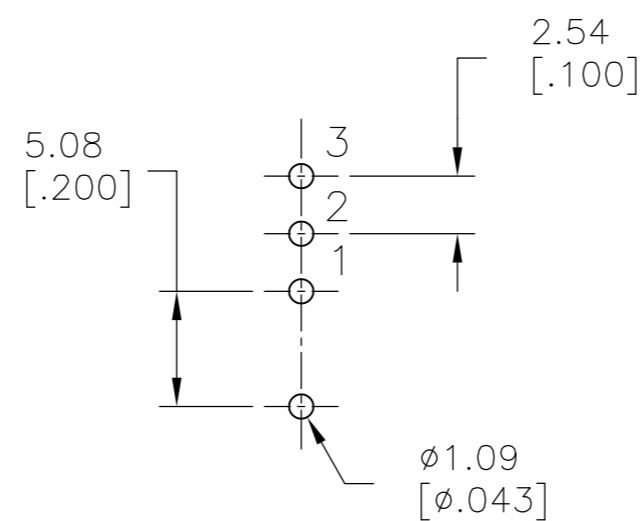
LOC		DIST		REVISIONS			
P	LTR	DESCRIPTION	DATE	DWN	APVD		
-	-	SEE SHEET 1	-	-	-		

MODEL NO.	POS.1	POS.2	POS.3
TMD	ON	NONE	ON
TERM. COMM.	2-3	N/A	2-1
SCHEMATIC			

SWITCH FUNCTION



PANEL MOUNTING



P.C. MOUNTING

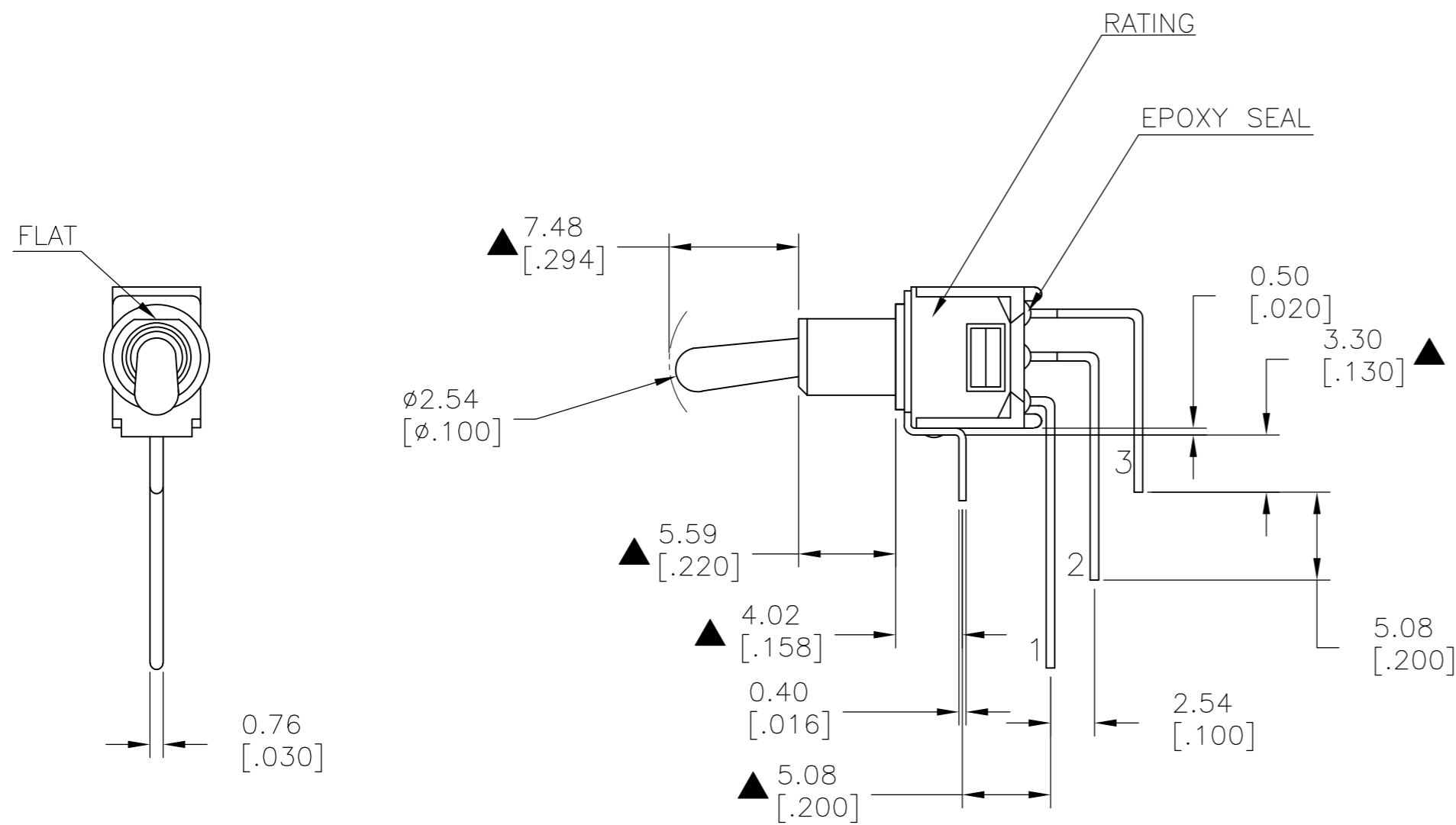
LAYOUT FOR PN 2267078-4

THIS DRAWING IS A CONTROLLED DOCUMENT.		DWN NAGALAKSHMI K 11JUL2014		
DIMENSIONS: mm [INCHES]		CHK HILL, RYAN 11JUL2014		
TOLERANCES UNLESS OTHERWISE SPECIFIED:		APVD HILL, RYAN 11JUL2014	NAME	
0 PLC ± -		PRODUCT SPEC	SUBMINIATURE TOGGLE SWITCH	
1 PLC ± 0.38[.015]		APPLICATION SPEC	SIZE	CAGE CODE
2 PLC ± 0.25[.010]		WEIGHT	A2	00779
3 PLC ± -		CUSTOMER DRAWING	SCALE	DRAWING NO
4 PLC ± -			3:1	C=2267078
ANGLES ± 5°			SHEET	RESTRICTED TO
FINISH			8 of 9	-
MATERIAL			REV	A



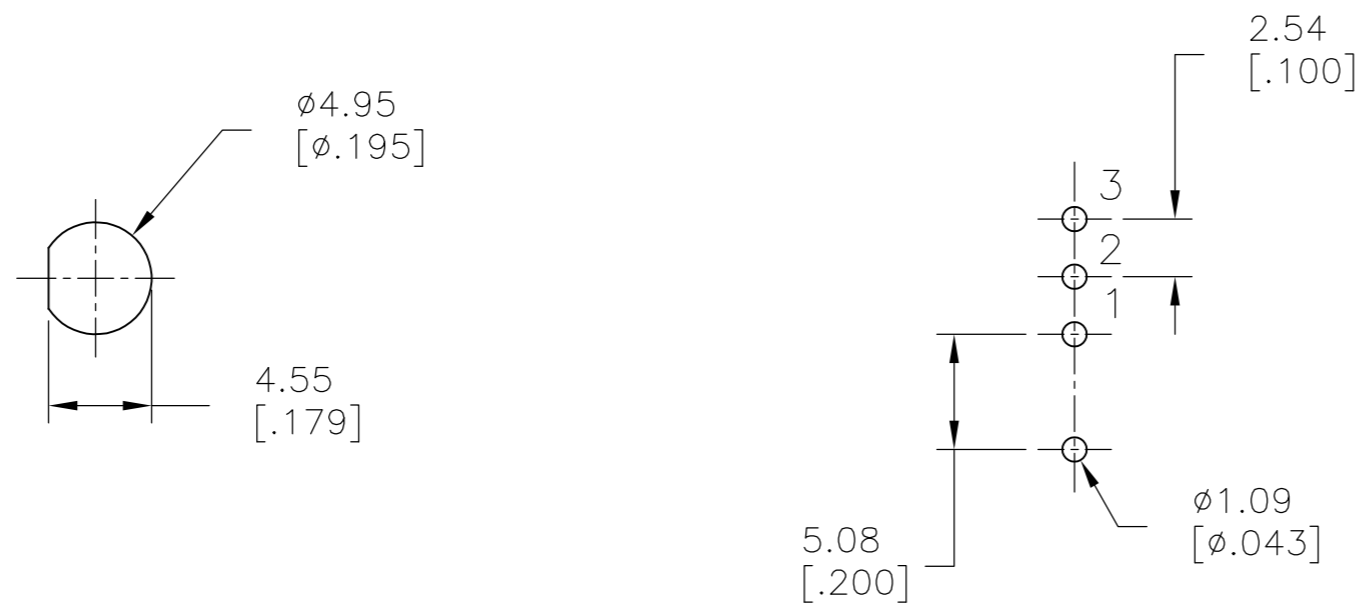
THIS DRAWING IS UNPUBLISHED. RELEASED FOR PUBLICATION  
 © COPYRIGHT - By - ALL RIGHTS RESERVED.

LOC		DIST		REVISIONS			
P	LTR	DESCRIPTION	DATE	DWN	APVD		
-	-	SEE SHEET 1	-	-	-		



MODEL NO.	POS.1	POS.2	POS.3
TMD	ON	OFF	ON
TERM. COMM.	2-3	OPEN	2-1
SCHMATIC		OPEN	

SWITCH FUNCTION



PANEL MOUNTING

P.C. MOUNTING

LAYOUT FOR PN 2267078-7

THIS DRAWING IS A CONTROLLED DOCUMENT.		DWN 11JUL2014 NAGALAKSHMI K	TE Connectivity	
DIMENSIONS: mm [INCHES]		CHK 11JUL2014 HILL, RYAN		
TOLERANCES UNLESS OTHERWISE SPECIFIED:		APVD 11JUL2014 HILL, RYAN	NAME	
0 PLC ± -		PRODUCT SPEC	SUBMINIATURE TOGGLE SWITCH	
1 PLC ± 0.38[.015]		APPLICATION SPEC	SIZE	CAGE CODE
2 PLC ± 0.25[.010]		WEIGHT	A2	00779
3 PLC ± -		CUSTOMER DRAWING	SCALE	DRAWING NO
4 PLC ± -			3:1	C=2267078
ANGLES ± 5°			SHEET	RESTRICTED TO
FINISH			9 of 9	-
			REV	A



Компания «ЭлектроПласт» предлагает заключение долгосрочных отношений при поставках импортных электронных компонентов на взаимовыгодных условиях!

Наши преимущества:

- Оперативные поставки широкого спектра электронных компонентов отечественного и импортного производства напрямую от производителей и с крупнейших мировых складов;
- Поставка более 17-ти миллионов наименований электронных компонентов;
- Поставка сложных, дефицитных, либо снятых с производства позиций;
- Оперативные сроки поставки под заказ (от 5 рабочих дней);
- Экспресс доставка в любую точку России;
- Техническая поддержка проекта, помощь в подборе аналогов, поставка прототипов;
- Система менеджмента качества сертифицирована по Международному стандарту ISO 9001;
- Лицензия ФСБ на осуществление работ с использованием сведений, составляющих государственную тайну;
- Поставка специализированных компонентов (Xilinx, Altera, Analog Devices, Intersil, Interpoint, Microsemi, Aeroflex, Peregrine, Syfer, Eurofarad, Texas Instrument, Miteq, Cobham, E2V, MA-COM, Hittite, Mini-Circuits, General Dynamics и др.);

Помимо этого, одним из направлений компании «ЭлектроПласт» является направление «Источники питания». Мы предлагаем Вам помощь Конструкторского отдела:

- Подбор оптимального решения, техническое обоснование при выборе компонента;
- Подбор аналогов;
- Консультации по применению компонента;
- Поставка образцов и прототипов;
- Техническая поддержка проекта;
- Защита от снятия компонента с производства.



#### Как с нами связаться

**Телефон:** 8 (812) 309 58 32 (многоканальный)

**Факс:** 8 (812) 320-02-42

**Электронная почта:** [org@eplast1.ru](mailto:org@eplast1.ru)

**Адрес:** 198099, г. Санкт-Петербург, ул. Калинина, дом 2, корпус 4, литера А.