

AMIS-42673

High-Speed 3.3 V Digital Interface CAN Transceiver

Description

The AMIS-42673 CAN transceiver is the interface between a controller area network (CAN) protocol controller and the physical bus. It may be used in both 12V and 24 V systems. The digital interface level is powered from a 3.3 V supply providing true I/O voltage levels for 3.3 V CAN controllers.

The transceiver provides differential transmit capability to the bus and differential receive capability to the CAN controller. Due to the wide common-mode voltage range of the receiver inputs, the AMIS-42673 is able to reach outstanding levels of electromagnetic susceptibility (EMS). Similarly, extremely low electromagnetic emission (EME) is achieved by the excellent matching of the output signals.

The AMIS-42673 is primarily intended for applications where long network lengths are mandatory. Examples are elevators, in-building networks, process control and trains. To cope with the long bus delay the communication speed needs to be low. AMIS-42673 allows low transmit data rates down to 10 kbit/s or lower.

Features

- True 3.3 V or 5.0 V Logic Level Interface
- Fully Compatible with the “ISO 11898-2” Standard
- Wide Range of Bus Communication Speed (0 up to 1 Mbit/s)
- Allows Low Transmit Data Rate in Networks Exceeding 1 km
- Ideally Suited for 12 V and 24 V Applications
- Low Electromagnetic Emission (EME); Common-Mode-Choke is No Longer Required
- Differential Receiver with Wide Common-Mode Range (± 35 V) for High Electromagnetic Susceptibility (EMS)
- No Disturbance of the Bus Lines with an Unpowered Node
- Thermal Protection
- Bus Pins Protected Against Transients
- Short Circuit Proof to Supply Voltage and Ground
- ESD Protection for CAN Bus at ± 8 kV
- These are Pb-Free Devices*

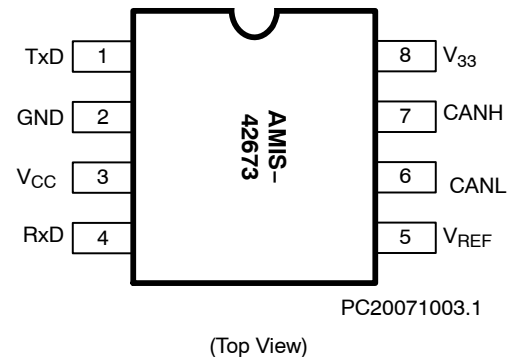
*For additional information on our Pb-Free strategy and soldering details, please download the ON Semiconductor Soldering and Mounting Techniques Reference Manual, SOLDERRM/D.



ON Semiconductor®

<http://onsemi.com>

PIN ASSIGNMENT



ORDERING INFORMATION

See detailed ordering and shipping information in the package dimensions section on page 10 of this data sheet.

Table 1. TECHNICAL CHARACTERISTICS

Symbol	Parameter	Condition	Max	Max	Unit
V_{CANH}	DC Voltage at Pin CANH	$0 < V_{CC} < 5.25 \text{ V}$; No Time Limit	-45	+45	V
V_{CANL}	DC Voltage at Pin CANL	$0 < V_{CC} < 5.25 \text{ V}$; No Time Limit	-45	+45	V
$V_{o(dif)(bus_dom)}$	Differential Bus Output Voltage in Dominant State	$42.5 \Omega < R_{LT} < 60 \Omega$	1.5	3	V
$t_{pd(rec-dom)}$	Propagation Delay TxD to RxD		100	230	ns
$t_{pd(dom-rec)}$	Propagation Delay TxD to RxD		100	245	ns
$C_{M-range}$	Input Common-Mode Range for Comparator	Guaranteed Differential Receiver Threshold and Leakage Current	-35	+35	V
$V_{CM-peak}$	Common-Mode Peak	Figures 7 and 8 (Note 1)	-500	500	mV
$V_{CM-step}$	Common-Mode Step	Figures 7 and 8 (Note 1)	-150	150	mV

1. The parameters $V_{CM-peak}$ and $V_{CM-step}$ guarantee low EME.

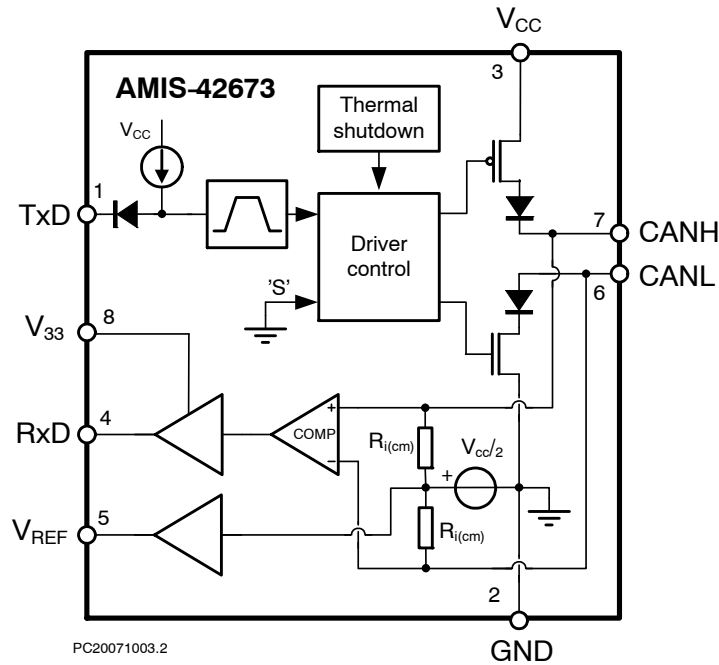


Figure 1. Block Diagram

Table 2. PIN DESCRIPTION

Pin	Name	Description
1	TxD	Transmit Data Input; Low Input → Dominant Driver; Internal Pullup Current
2	GND	Ground
3	V_{CC}	Supply Voltage
4	RxD	Receive Data Output; Dominant Transmitter → Low Output
5	V_{REF}	Reference Voltage Output
6	CANL	LOW-Level CAN Bus Line (Low in Dominant Mode)
7	CANH	HIGH-Level CAN Bus Line (High in Dominant Mode)
8	V_{33}	3.3 V Supply for Digital I/O

Table 3. ABSOLUTE MAXIMUM RATINGS

Symbol	Parameter	Conditions	Min	Max	Unit
V _{CC}	Supply Voltage		-0.3	+7	V
V ₃₃	I/O Interface Voltage		-0.3	+7	V
V _{CANH}	DC Voltage at Pin CANH	0 < V _{CC} < 5.25 V; No Time Limit	-45	+45	V
V _{CANL}	DC Voltage at Pin CANL	0 < V _{CC} < 5.25 V; No Time Limit	-45	+45	V
V _{TxD}	DC Voltage at Pin TxD		-0.3	V _{CC} + 0.3	V
V _{RxD}	DC Voltage at Pin RxD		-0.3	V _{CC} + 0.3	V
V _{REF}	DC Voltage at Pin V _{REF}		-0.3	V _{CC} + 0.3	V
V _{tran} (CANH)	Transient Voltage at Pin CANH	Note 2	-150	+150	V
V _{tran} (CANL)	Transient Voltage at Pin CANL	Note 2	-150	+150	V
V _{tran} (VREF)	Transient Voltage at Pin V _{REF}	Note 2	-150	+150	V
V _{esd} (CANL/ CANH)	Electrostatic Discharge Voltage at CANH and CANL Pin	Note 4 Note 6	-8 -500	+8 +500	kV V
V _{esd}	Electrostatic Discharge Voltage at All Other Pins	Note 4 Note 6	-4 -250	+4 +250	kV V
Latch-up	Static Latch-up at All Pins	Note 5		100	mA
T _{stg}	Storage Temperature		-55	+155	°C
T _A	Ambient Temperature		-40	+125	°C
T _J	Maximum Junction Temperature		-40	+150	°C

Stresses exceeding Maximum Ratings may damage the device. Maximum Ratings are stress ratings only. Functional operation above the Recommended Operating Conditions is not implied. Extended exposure to stresses above the Recommended Operating Conditions may affect device reliability.

2. Applied transient waveforms in accordance with "ISO 7637 part 3", test pulses 1, 2, 3a, and 3b (see Figure 4).
3. Standardized human body model system ESD pulses in accordance to IEC 1000.4.2.
4. Standardized human body model ESD pulses in accordance to MIL883 method 3015. Supply pin 8 is ±4kV.
5. Static latch-up immunity: static latch-up protection level when tested according to EIA/JESD78.
6. Standardized charged device model ESD pulses when tested according to EOS/ESD DS5.3-1993.

Table 4. THERMAL CHARACTERISTICS

Symbol	Parameter	Conditions	Value	Unit
R _{th} (vj-a)	Thermal Resistance from Junction-to-Ambient in SO-8 Package	In Free Air	145	k/W
R _{th} (vj-s)	Thermal Resistance from Junction-to-Substrate of Bare Die	In Free Air	45	k/W

AMIS-42673

APPLICATION INFORMATION

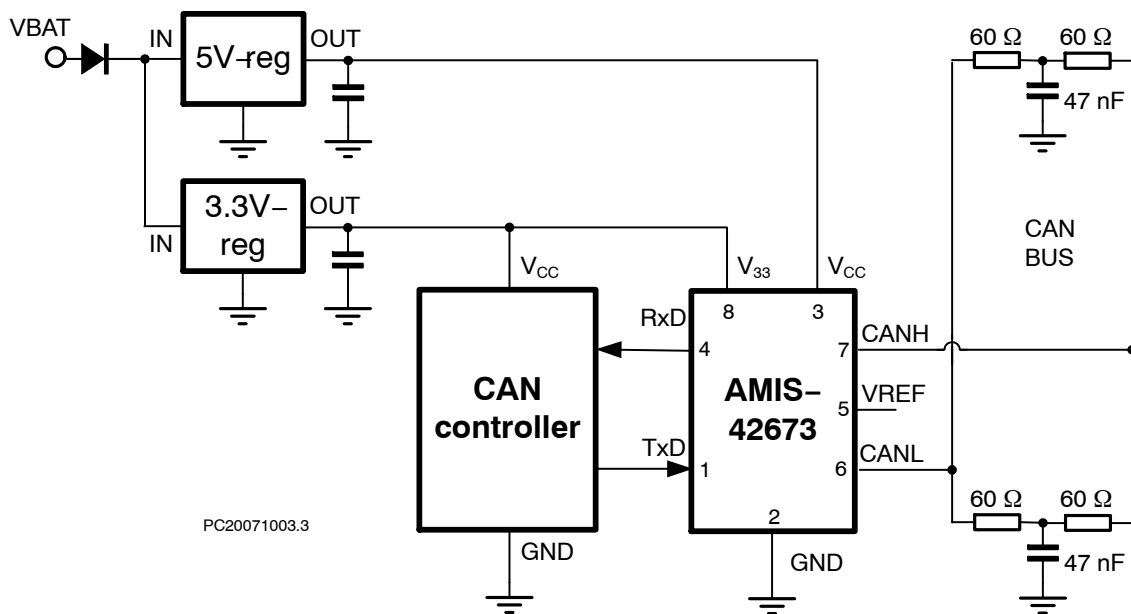


Figure 2. Application Diagram

FUNCTIONAL DESCRIPTION

General

The AMIS-42673 is the interface between the CAN protocol controller and the physical bus. It is intended for use in industrial and automotive applications requiring baud rates up to 1 Mbit/s. It provides differential transmit capability to the bus and differential receiver capability to the CAN protocol controller. It is fully compatible to the “ISO 11898-2” standard.

Operating Modes

AMIS-42673 only operates in high-speed mode as illustrated in Table 5.

The transceiver is able to communicate via the bus lines. The signals are transmitted and received to the CAN controller via the pins TxD and RxD. The slopes on the bus lines outputs are optimized to give extremely low EME.

Table 5. FUNCTIONAL TABLE OF AMIS-42673; x = don't care

V _{CC}	Pin TxD	Pin CANH	Pin CANL	Bus State	Pin RxD
4.75 to 5.25 V	0	High	Low	Dominant	0
4.75 to 5.25 V	1 (or floating)	V _{CC} /2	V _{CC} /2	Recessive	1
V _{CC} < PORL (Unpowered)	x	0 V < CANH < V _{CC}	0 V < CANL < V _{CC}	Recessive	1
PORL < V _{CC} < 4.75 V	> 2 V	0 V < CANH < V _{CC}	0 V < CANL < V _{CC}	Recessive	1

Overtemperature Detection

A thermal protection circuit protects the IC from damage by switching off the transmitter if the junction temperature exceeds a value of approximately 160°C. Because the transmitter dissipates most of the power, the power dissipation and temperature of the IC is reduced. All other IC functions continue to operate. The transmitter off-state resets when Pin TxD goes HIGH. The thermal protection circuit is particularly needed when a bus line short circuits.

High Communication Speed Range

The transceiver is primarily intended for industrial applications. It allows very low baud rates needed for long bus length applications. But also high speed communication is possible up to 1 Mbit/s.

Fail-Safe Features

A current-limiting circuit protects the transmitter output stage from damage caused by accidental short-circuit to either positive or negative supply voltage – although power dissipation increases during this fault condition.

The pins CANH and CANL are protected from automotive electrical transients (according to “ISO 7637”; see Figure 3).

Should TxD become disconnected, this pin is pulled high internally.

When the V_{CC} supply is removed, Pins TxD and RxD will be floating. This prevents the AMIS-42673 from being supplied by the CAN controller through the I/O Pins.

3.3 V Interface

AMIS-42673 may be used to interface with 3.3 V or 5 V controllers by use of the V₃₃ pin. This pin may be supplied with 3.3 V or 5 V to have the corresponding digital interface voltage levels.

When the V₃₃ pin is supplied at 2.5 V, even interfacing with 2.5 V CAN controllers is possible. See also Digital Output Characteristics @ V₃₃ = 2.5 V, Table . In this case a pull-up resistor from TxD to V₃₃ is necessary.

AMIS-42673

Definitions

All voltages are referenced to GND (Pin 2). Positive currents flow into the IC. Sinking current means that the current is flowing into the pin. Sourcing current means that the current is flowing out of the pin.

Table 6. DC CHARACTERISTICS $V_{CC} = 4.75\text{ V to }5.25\text{ V}$, $V_{33} = 2.9\text{ V to }3.6\text{ V}$; $T_J = -40^\circ\text{C to }+150^\circ\text{C}$; $R_{LT} = 60\ \Omega$ unless specified otherwise.

Symbol	Parameter	Conditions	Min	Typ	Max	Unit
SUPPLY (Pin V_{CC} and pin V_{33})						
I_{CC}	Supply Current	Dominant; $V_{TXD} = 0\text{ V}$ Recessive; $V_{TXD} = V_{CC}$		45 4	65 8	mA
I_{33}	I/O Interface Current	$V_{33} = 3.3\text{ V}$; $C_L = 20\text{ pF}$; recessive			1	μA
I_{33}	I/O Interface Current (Note 7)	$V_{33} = 3.3\text{ V}$; $C_L = 20\text{ pF}$; 1 Mbps			170	μA
TRANSMITTER DATA INPUT (Pin TxD)						
V_{IH}	HIGH-Level Input Voltage	Output recessive	2.0	–	V_{CC}	V
V_{IL}	LOW-Level Input Voltage	Output dominant	–0.3	–	+0.8	V
I_{IH}	HIGH-Level Input Current	$V_{TXD} = V_{33}$	–1	0	+1	μA
I_{IL}	LOW-Level Input Current	$V_{TXD} = 0\text{ V}$	–50	–200	–300	μA
C_i	Input Capacitance (Note 7)		–	5	10	pF
RECEIVER DATA OUTPUT (Pin RxD)						
V_{OH}	HIGH-Level Output Voltage	$I_{RXD} = -10\text{ mA}$	$0.7 \times V_{33}$	$0.75 \times V_{33}$		V
V_{OL}	LOW-Level Output Voltage	$I_{RXD} = 5\text{ mA}$		0.18	0.35	V
I_{oh}	HIGH-Level Output Current (Note 7)	$V_{RXD} = 0.7 \times V_{33}$	–10	–15	–20	mA
I_{ol}	LOW-Level Output Current (Note 7)	$V_{RXD} = 0.45\text{ V}$	5	10	15	mA
REFERENCE VOLTAGE OUTPUT (Pin V_{REF})						
V_{REF}	Reference Output Voltage	$-50\ \mu\text{A} < I_{VREF} < +50\ \mu\text{A}$	$0.45 \times V_{CC}$	$0.50 \times V_{CC}$	$0.55 \times V_{CC}$	V
V_{REF_CM}	Reference Output Voltage for Full Common-Mode Range	$-35\text{ V} < V_{CANH} < +35\text{ V}$; $-35\text{ V} < V_{CANL} < +35\text{ V}$	$0.40 \times V_{CC}$	$0.50 \times V_{CC}$	$0.60 \times V_{CC}$	V
BUS LINES (Pins $CANH$ and $CANL$)						
$V_{o(\text{reces})}(CANH)$	Recessive Bus Voltage at Pin $CANH$	$V_{TXD} = V_{CC}$; no load	2.0	2.5	3.0	V
$V_{o(\text{reces})}(CANL)$	Recessive Bus Voltage at Pin $CANL$	$V_{TXD} = V_{CC}$; no load	2.0	2.5	3.0	V
$I_{o(\text{reces})}(CANH)$	Recessive Output Current at Pin $CANH$	$-35\text{ V} < V_{CANH} < +35\text{ V}$; $0\text{ V} < V_{CC} < 5.25\text{ V}$	–2.5	–	+2.5	mA
$I_{o(\text{reces})}(CANL)$	Recessive Output Current at Pin $CANL$	$-35\text{ V} < V_{CANL} < +35\text{ V}$; $0\text{ V} < V_{CC} < 5.25\text{ V}$	–2.5	–	+2.5	mA
$V_{o(\text{dom})}(CANH)$	Dominant Output Voltage at Pin $CANH$	$V_{TXD} = 0\text{ V}$	3.0	3.6	4.25	V
$V_{o(\text{dom})}(CANL)$	Dominant Output Voltage at Pin $CANL$	$V_{TXD} = 0\text{ V}$	0.5	1.4	1.75	V
$V_{o(\text{dif})}(\text{bus})$	Differential Bus Output Voltage ($V_{CANH} - V_{CANL}$)	$V_{TXD} = 0\text{ V}$; Dominant; $42.5\ \Omega < R_{LT} < 60\ \Omega$	1.5	2.25	3.0	V
		$V_{TXD} = V_{CC}$; Recessive; No Load	–120	0	+50	mV
$I_{o(\text{sc})}(CANH)$	Short Circuit Output Current at Pin $CANH$	$V_{CANH} = 0\text{ V}$; $V_{TXD} = 0\text{ V}$	–45	–70	–95	mA
$I_{o(\text{sc})}(CANL)$	Short Circuit Output Current at Pin $CANL$	$V_{CANL} = 36\text{ V}$; $V_{TXD} = 0\text{ V}$	45	70	120	mA
$V_{i(\text{dif})}(\text{th})$	Differential Receiver Threshold Voltage	$-5\text{ V} < V_{CANL} < +12\text{ V}$; $-5\text{ V} < V_{CANH} < +12\text{ V}$; See Figure 4	0.5	0.7	0.9	V

7. Not tested at ATE

AMIS-42673

Table 6. DC CHARACTERISTICS $V_{CC} = 4.75\text{ V to }5.25\text{ V}$, $V_{33} = 2.9\text{ V to }3.6\text{ V}$; $T_J = -40^\circ\text{C to }+150^\circ\text{C}$; $R_{LT} = 60\ \Omega$ unless specified otherwise.

Symbol	Parameter	Conditions	Min	Typ	Max	Unit
BUS LINES (Pins CANH and CANL)						
$V_{ihcm(dif)}(th)$	Differential Receiver Threshold Voltage for High Common-Mode	$-35\text{ V} < V_{CANL} < +35\text{ V}$; $-35\text{ V} < V_{CANH} < +35\text{ V}$; See Figure 4	0.25	0.7	1.05	V
$V_{i(dif)}(hys)$	Differential Receiver Input Voltage Hysteresis	$-35\text{ V} < V_{CANL} < +35\text{ V}$; $-35\text{ V} < V_{CANH} < +35\text{ V}$; See Figure 4	50	70	100	mV
$R_{i(cm)}(CANH)$	Common-Mode Input Resistance at Pin CANH		15	25	37	k Ω
$R_{i(cm)}(CANL)$	Common-Mode Input Resistance at Pin CANL		15	25	37	k Ω
$R_{i(cm)}(m)$	Matching Between Pin CANH and Pin CANL Common-Mode Input Resistance	$V_{CANH} = V_{CANL}$	-3	0	+3	%
$R_{i(dif)}$	Differential Input Resistance		25	50	75	k Ω

BUS LINES (Pins CANH and CANL)

$C_{i(CANH)}$	Input Capacitance at Pin CANH	$V_{TxD} = V_{CC}$; Not Tested		7.5	20	pF
$C_{i(CANL)}$	Input Capacitance at Pin CANL	$V_{TxD} = V_{CC}$; Not Tested		7.5	20	pF
$C_{i(dif)}$	Differential Input Capacitance	$V_{TxD} = V_{CC}$; Not Tested		3.75	10	pF
$I_{L(CANH)}$	Input Leakage Current at Pin CANH	$V_{CC} = 0\text{ V}$; $V_{CANH} = 5\text{ V}$	10	170	250	μA
$I_{L(CANL)}$	Input Leakage Current at Pin CANL	$V_{CC} = 0\text{ V}$; $V_{CANL} = 5\text{ V}$	10	170	250	μA
$V_{CM-peak}$	Common-Mode Peak During Transition from Dom \rightarrow Rec or Rec \rightarrow Dom	Figures 7 and 8	-500		500	mV
$V_{CM-step}$	Difference in Common-Mode Between Dominant and Recessive State	Figures 7 and 8	-150		150	mV

POWER-ON-RESET

PORL	POR Level	CANH, CANL, V_{ref} in Tri-State Below POR Level	2.2	3.5	4.7	V
------	-----------	--	-----	-----	-----	---

THERMAL SHUTDOWN

$T_{J(sd)}$	Shutdown Junction Temperature		150	160	180	$^\circ\text{C}$
-------------	-------------------------------	--	-----	-----	-----	------------------

TIMING CHARACTERISTICS (See Figures 6 and 7)

$t_{d(TxD-BUSon)}$	Delay TxD to Bus Active		40	85	110	ns
$t_{d(TxD-BUSoff)}$	Delay TxD to Bus Inactive		30	60	110	ns
$t_{d(BUSon-RxD)}$	Delay Bus Active to RxD		25	55	110	ns
$t_{d(BUSoff-RxD)}$	Delay Bus Inactive to RxD		65	100	135	ns
$t_{pd(rec-dom)}$	Propagation Delay TxD to RxD from Recessive to Dominant		100		230	ns
$t_{d(dom-rec)}$	Propagation Delay TxD to RxD from Dominant to Recessive		100		245	ns

7. Not tested at ATE

Table 7. DIGITAL OUTPUT CHARACTERISTICS @ $V_{33} = 2.5\text{ V}$ $V_{CC} = 4.75\text{ to }5.25\text{ V}$; $V_{33} = 2.5\text{ V} \pm 5\%$; $T_J = -40\text{ to }+150^\circ\text{C}$; $R_{LT} = 60\ \Omega$ unless specified otherwise.

Symbol	Parameter	Conditions	Min	Typ	Max	Unit
RECEIVER DATA OUTPUT (Pin RxD)						
I_{oh}	HIGH-Level Output Current	$V_{OH} > 0.9 \times V_{33}$	-2.6			mA
I_{ol}	LOW-Level Output Current	$V_{OL} < 0.1 \times V_{33}$			4	mA

AMIS-42673

MEASUREMENT SETUPS AND DEFINITIONS

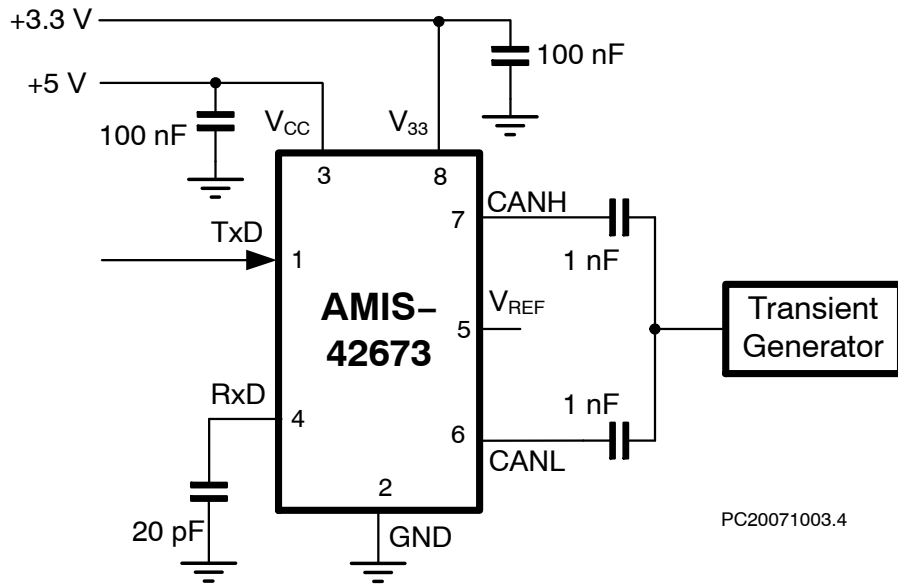


Figure 3. Test Circuit for Automotive Transients

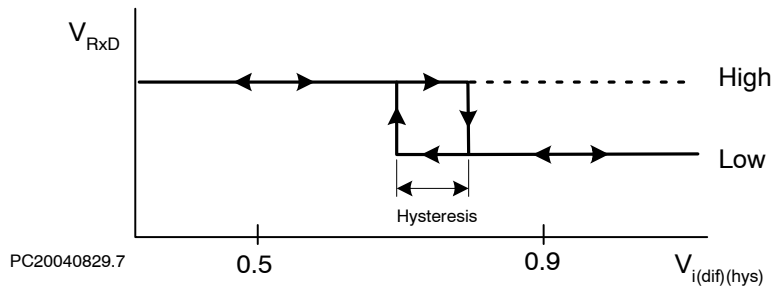


Figure 4. Hysteresis of the Receiver

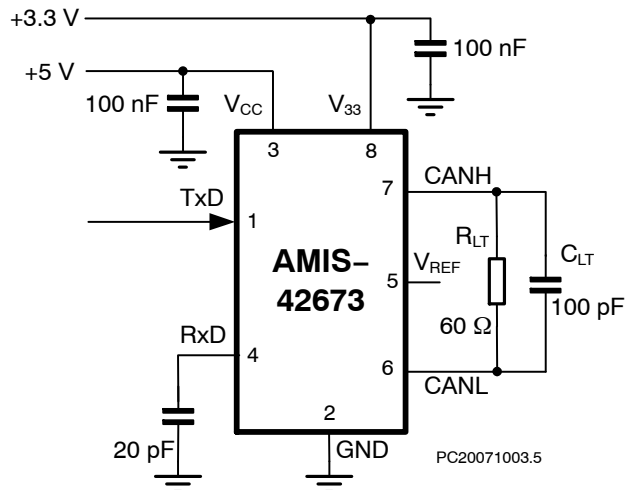


Figure 5. Test Circuit for Timing Characteristics

AMIS-42673

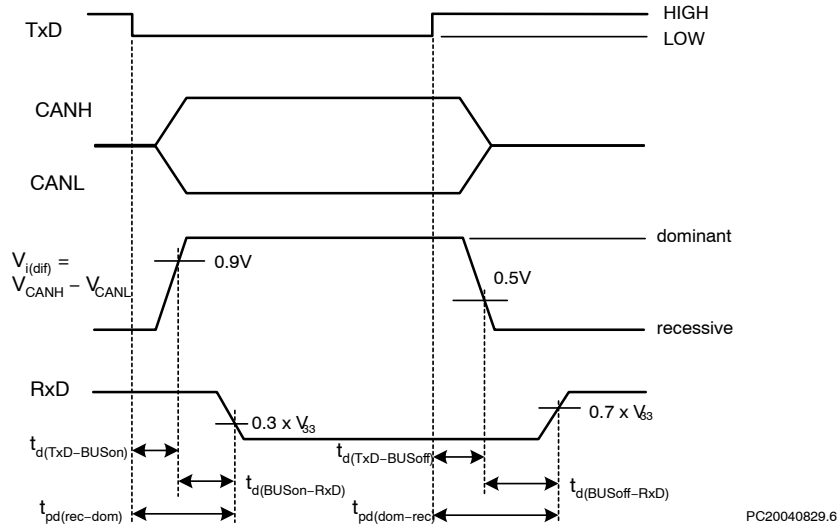


Figure 6. Timing Diagram for AC Characteristics

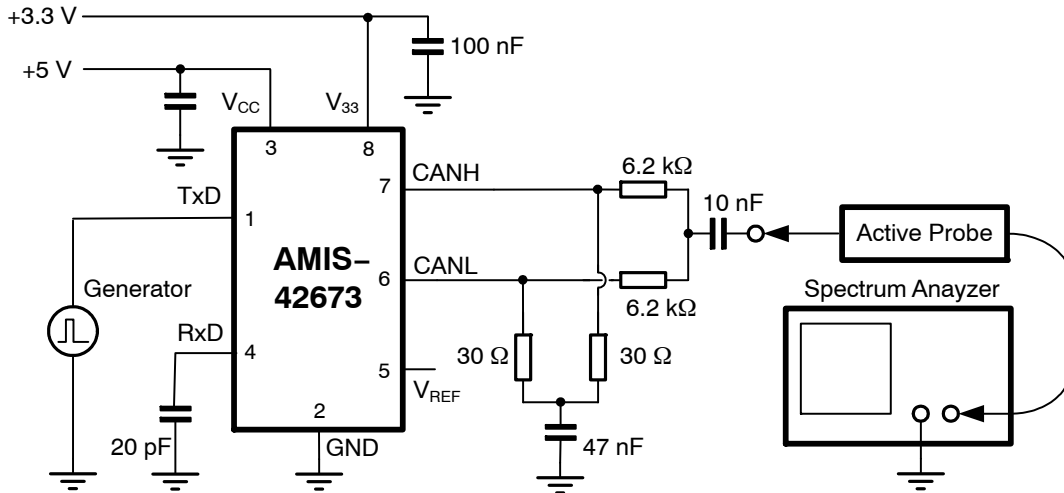


Figure 7. Basic Test Setup for Electromagnetic Measurement

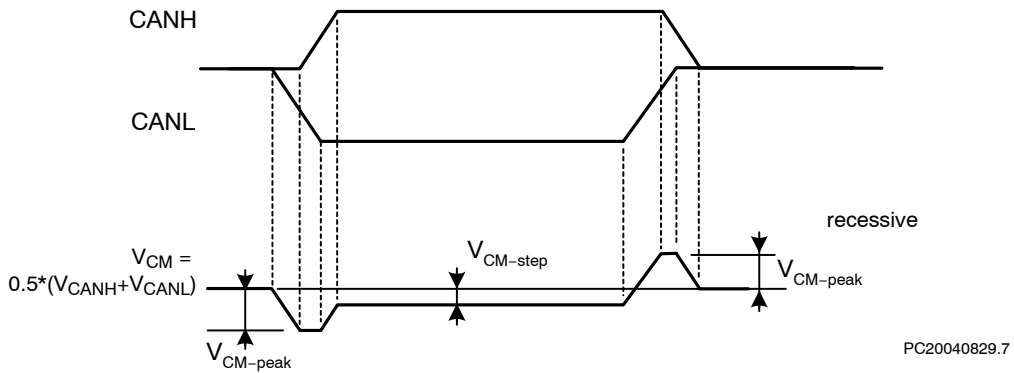


Figure 8. Common-Mode Voltage Peaks (See Measurement Setup Figure 7)

AMIS-42673

DEVICE ORDERING INFORMATION

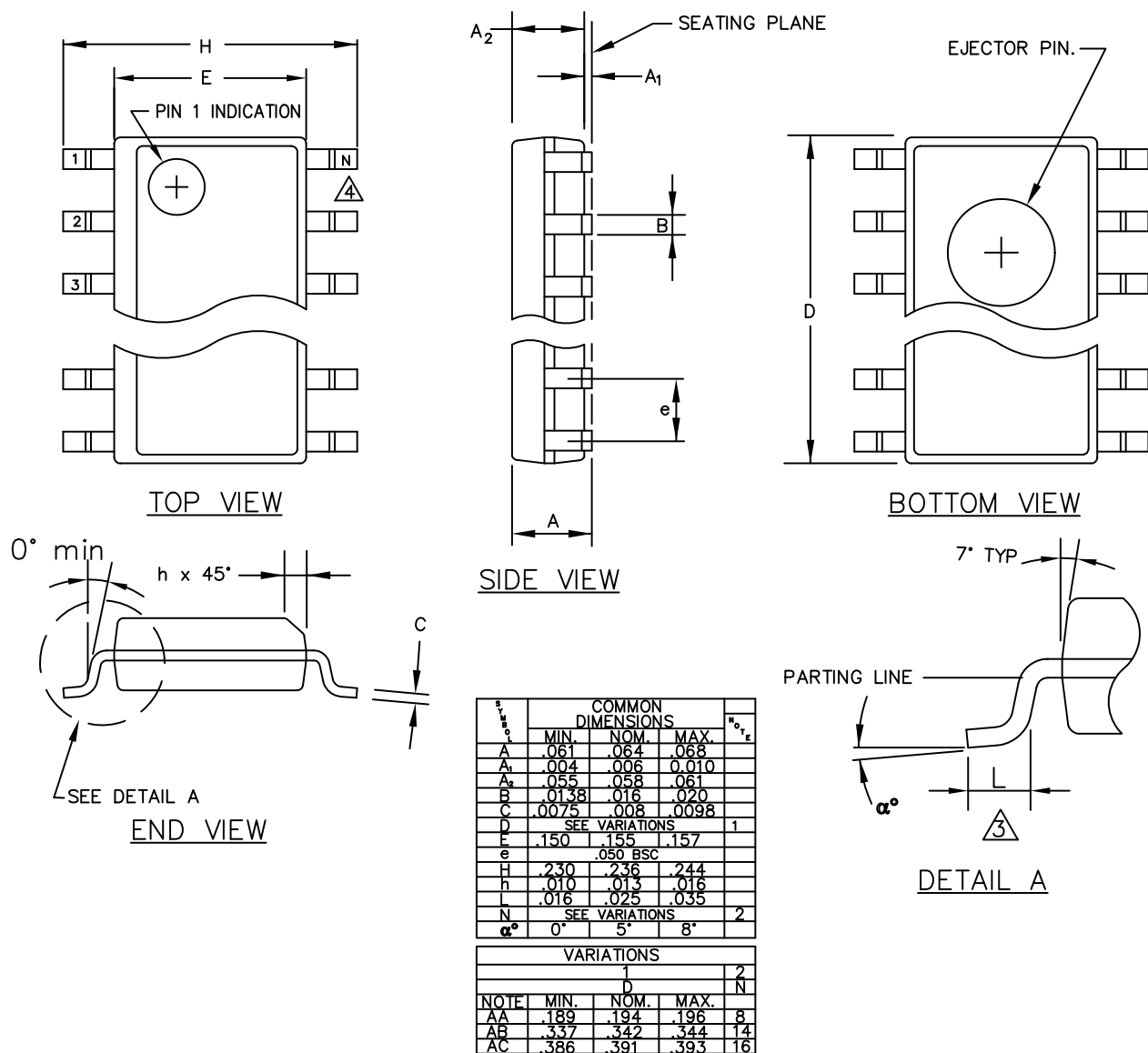
Part Number	Temperature Range	Package Type	Shipping [†]
AMIS42673ICAG1G	-40°C - 125°C	SOIC-8 (Pb-Free)	96 Tube / Tray
AMIS42673ICAG1RG	-40°C - 125°C	SOIC-8 (Pb-Free)	3000 / Tape & Reel

[†]For information on tape and reel specifications, including part orientation and tape sizes, please refer to our Tape and Reel Packaging Specifications Brochure, BRD8011/D.

AMIS-42673

PACKAGE DIMENSIONS

SOIC 8
CASE 751AZ-01
ISSUE O



1. ALL DIMENSIONS ARE IN MILLIMETERS.

ON Semiconductor and **ON** are registered trademarks of Semiconductor Components Industries, LLC (SCILLC). SCILLC reserves the right to make changes without further notice to any products herein. SCILLC makes no warranty, representation or guarantee regarding the suitability of its products for any particular purpose, nor does SCILLC assume any liability arising out of the application or use of any product or circuit, and specifically disclaims any and all liability, including without limitation special, consequential or incidental damages. "Typical" parameters which may be provided in SCILLC data sheets and/or specifications can and do vary in different applications and actual performance may vary over time. All operating parameters, including "Typicals" must be validated for each customer application by customer's technical experts. SCILLC does not convey any license under its patent rights nor the rights of others. SCILLC products are not designed, intended, or authorized for use as components in systems intended for surgical implant into the body, or other applications intended to support or sustain life, or for any other application in which the failure of the SCILLC product could create a situation where personal injury or death may occur. Should Buyer purchase or use SCILLC products for any such unintended or unauthorized application, Buyer shall indemnify and hold SCILLC and its officers, employees, subsidiaries, affiliates, and distributors harmless against all claims, costs, damages, and expenses, and reasonable attorney fees arising out of, directly or indirectly, any claim of personal injury or death associated with such unintended or unauthorized use, even if such claim alleges that SCILLC was negligent regarding the design or manufacture of the part. SCILLC is an Equal Opportunity/Affirmative Action Employer. This literature is subject to all applicable copyright laws and is not for resale in any manner.

PUBLICATION ORDERING INFORMATION

LITERATURE FULFILLMENT:
Literature Distribution Center for ON Semiconductor
P.O. Box 5163, Denver, Colorado 80217 USA
Phone: 303-675-2175 or 800-344-3860 Toll Free USA/Canada
Fax: 303-675-2176 or 800-344-3867 Toll Free USA/Canada
Email: orderlit@onsemi.com

N. American Technical Support: 800-282-9855 Toll Free USA/Canada
Europe, Middle East and Africa Technical Support:
Phone: 421 33 790 2910
Japan Customer Focus Center
Phone: 81-3-5773-3850

ON Semiconductor Website: www.onsemi.com
Order Literature: <http://www.onsemi.com/orderlit>
For additional information, please contact your local Sales Representative



Компания «ЭлектроПласт» предлагает заключение долгосрочных отношений при поставках импортных электронных компонентов на взаимовыгодных условиях!

Наши преимущества:

- Оперативные поставки широкого спектра электронных компонентов отечественного и импортного производства напрямую от производителей и с крупнейших мировых складов;
- Поставка более 17-ти миллионов наименований электронных компонентов;
- Поставка сложных, дефицитных, либо снятых с производства позиций;
- Оперативные сроки поставки под заказ (от 5 рабочих дней);
- Экспресс доставка в любую точку России;
- Техническая поддержка проекта, помощь в подборе аналогов, поставка прототипов;
- Система менеджмента качества сертифицирована по Международному стандарту ISO 9001;
- Лицензия ФСБ на осуществление работ с использованием сведений, составляющих государственную тайну;
- Поставка специализированных компонентов (Xilinx, Altera, Analog Devices, Intersil, Interpoint, Microsemi, Aeroflex, Peregrine, Syfer, Eurofarad, Texas Instrument, Miteq, Cobham, E2V, MA-COM, Hittite, Mini-Circuits, General Dynamics и др.);

Помимо этого, одним из направлений компании «ЭлектроПласт» является направление «Источники питания». Мы предлагаем Вам помощь Конструкторского отдела:

- Подбор оптимального решения, техническое обоснование при выборе компонента;
- Подбор аналогов;
- Консультации по применению компонента;
- Поставка образцов и прототипов;
- Техническая поддержка проекта;
- Защита от снятия компонента с производства.



Как с нами связаться

Телефон: 8 (812) 309 58 32 (многоканальный)

Факс: 8 (812) 320-02-42

Электронная почта: org@eplast1.ru

Адрес: 198099, г. Санкт-Петербург, ул. Калинина, дом 2, корпус 4, литера А.