

1.8V Operating Voltage 3rd Overtone Quartz Crystal Oscillator IC with Input Tolerant Function

GENERAL DESCRIPTION

The NJU6227 series is a C-MOS quartz crystal oscillator IC realized excellent frequency stability for 3rd Overtone (up to 160MHz) oscillation, and consists of an oscillation amplifier, a 3-state output buffer, a built-in LDO and a input tolerant circuit.

The operating voltage is from 1.62V to 3.63V (x3, x4, x5, x6: from 2.25V to 3.63V), and the LDO holds down the characteristic change of the oscillation amplifier for operating voltage variation, and has been stabilized oscillation frequency (Frequency stability $\pm 1\text{ppm}@V_{DD}\pm 10\%$). The 3-state output buffer is C-MOS compatible.

The input tolerant circuit ensures that 0 to 3.63 V can be applied to CONT terminal without regard to the supply voltage.

The oscillation stopping current is very low stand-by mode, therefore, it is suitable for the portable items of the communication equipment and the like.

PACKAGE OUTLINE

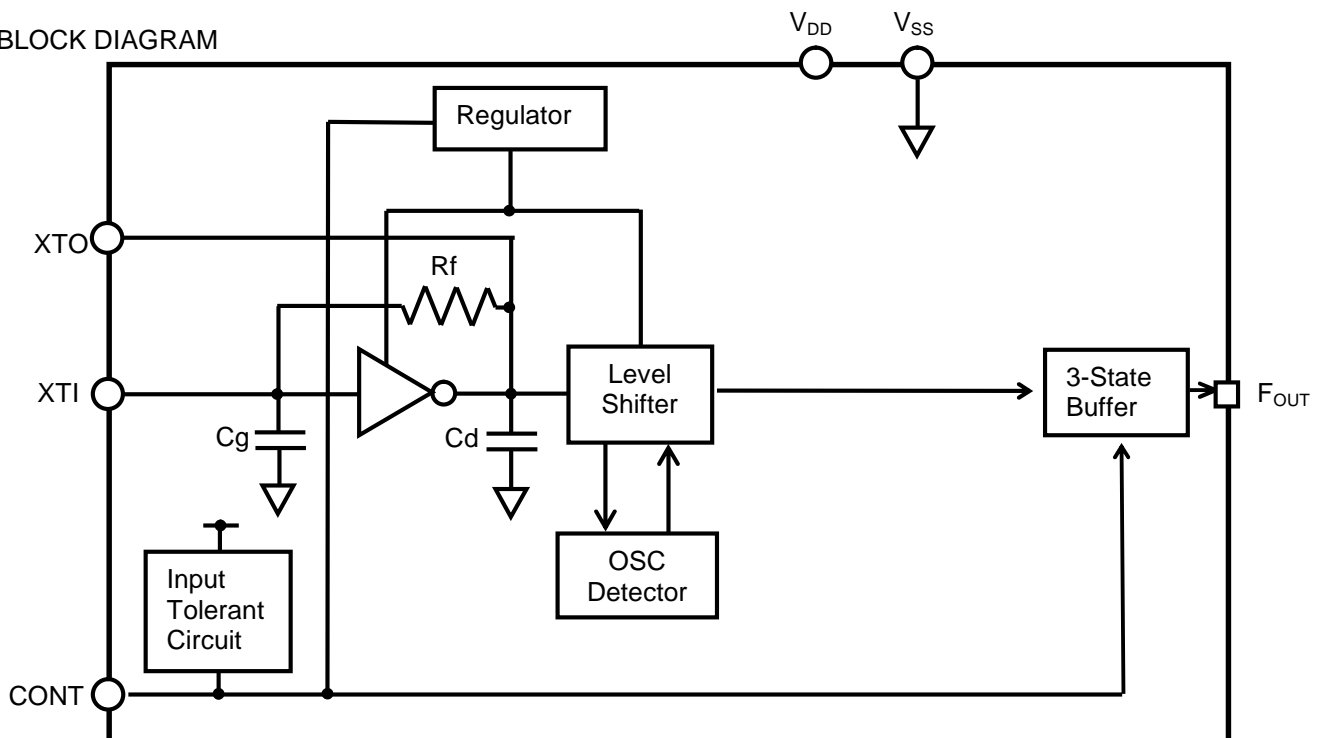


NJU6227xXC-V

FEATURES

- Maximum Oscillation Frequency 160MHz(3rd Overtone)
- Frequency Stability $\pm 1\text{ppm}@V_{DD}\pm 10\%$
- Wide Operating Voltage 1.62 to 3.63V(x3, x4, x5, x6 2.25V to 3.63V)
- Built-in LDO
- Input Tolerant Circuit 0 to 3.63V@CONT Term.
- Stand-by Function (Oscillation Stop and High-Z)
- 3-State Output Buffer
- Variable Pull-up Resistance on-Die (CONT Terminal: Pull-up resistance is large at Stand-by Function)
- Oscillation Capacitors Cg and Cd on-Die
- C-MOS Technology
- Package Outline Die/Wafer

BLOCK DIAGRAM

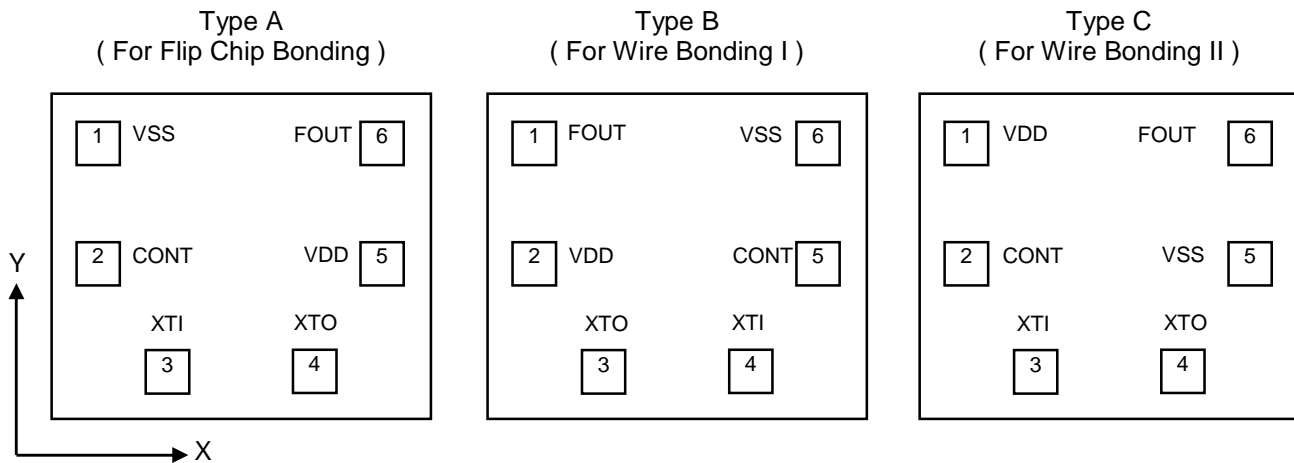


LINE-UP TABLE

Type No.	Recommended Oscillation Frequency	Version		
		Type A	Type B	Type C
NJU6227	40 to 50MHz	A1*	B1*	C1
	50 to 60MHz	A2*	B2*	C2
	60 to 85MHz	A3*	B3*	C3
	85 to 110MHz	A4*	B4*	C4
	110 to 130MHz	A5*	B5*	C5
	130 to 160MHz	A6*	B6*	C6

* Under development and tentative value.

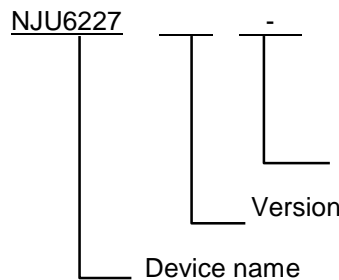
PAD LOCATION



COORDINATES

	X	Y
1	-261.5	198.5
2	-261.5	-21.5
3	-146.5	-211.5
4	144.5	-211.5
5	260.5	-21.5
6	260.5	198.5

PART NUMBER



W-H: Wafer (200μm)
 W-B: Wafer (160μm)
 WS4-V: 1/4Wafer(130μm)
 C-V: Chip(130μm)

Starting Point: Die Center Unit[μm]
 Die Size: 0.73x0.63mm
 Die Thickness (C-V): 130±15μm
 Wafer Thickness(WS4-V): 130±15μm
 Wafer Thickness (W-B): 160±20μm
 Wafer Thickness (W-H): 200±20μm
 Pad size: 80x80μm
 Die Substrate: V_{SS} level

VERSION DISCRIMINATION INTERNAL COMPONENTS

PAD layout version of the NJU6227 series is determined by the mask pattern. Frequency version of the NJU6227 series is determined by the internal fuse trimming.

Laser-trimmed versions are identified externally by the combination of the version name marking (1) and the locations of trimmed fuses (2). (Table 1 shows the chip version identification)

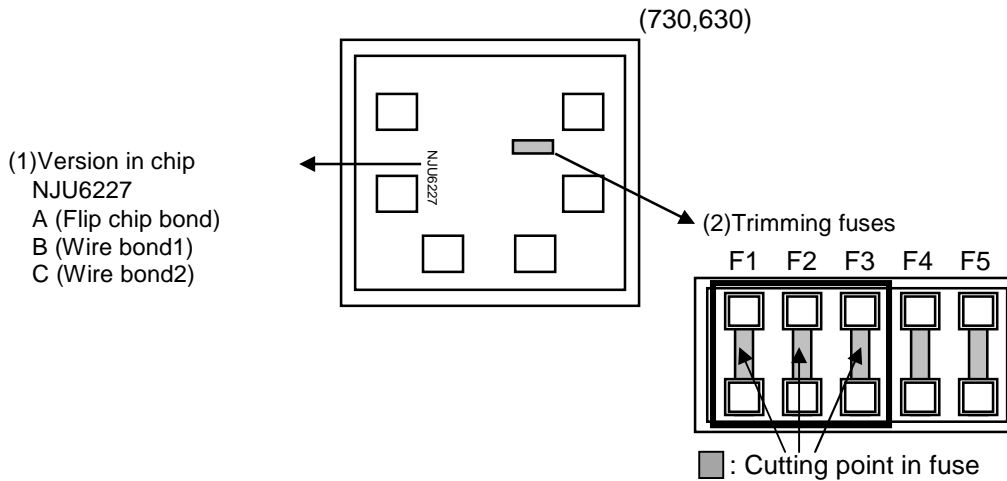


Table1: Frequency version and Cutting point in fuse.

Version name	Mask / Version set by trimming fuses					
	Mask	Trimming fuses				
	Version	F1	F2	F3	F4	F5
NJU6227A1	A	*	-	-	Untrimmed	
NJU6227A2	A	*	-	*		
NJU6227A3	A	-	-	-		
NJU6227A4	A	-	-	*		
NJU6227A5	A	-	*	-		
NJU6227A6	A	-	*	*		
NJU6227B1	B	*	-	-		
NJU6227B2	B	*	-	*		
NJU6227B3	B	-	-	-		
NJU6227B4	B	-	-	*		
NJU6227B5	B	-	*	-		
NJU6227B6	B	-	*	*		
NJU6227C1	C	*	-	-		
NJU6227C2	C	*	-	*		
NJU6227C3	C	-	-	-		
NJU6227C4	C	-	-	*		
NJU6227C5	C	-	*	-		
NJU6227C6	C	-	*	*		

Note1) “-”: Uncut, “*”: Cutting

(Ta=+25°C)

PARAMETER	SYMBOL	CONDITIONS	MIN	TYP	MAX	UNIT
Operating Voltage	V _{DD}	x3, x4, x5, x6 version	2.25		3.63	V
Input Voltage	V _{IN}	CONT	0		3.63	V
Output Voltage	V _{OUT}	F _{OUT}	0		V _{DD}	V
Output Frequency Stability	df/f	V _{DD} ±10%		±1		ppm

Note3) C0 minimum requirement

Version: x1, x2, x3, x4, x5 1pF

Version: x6 1.5pF

($V_{DD}=1.62$ to $3.63V$ (x3, x4, x5, x6 2.25 to $3.63V$), $V_{SS}=0V$, $T_a=+25^{\circ}C$)

PARAMETER	SYMBOL	CONDITIONS	MIN	TYP	MAX	UNIT	
Operating Current	I_{DD}	x1 version No load CONT=Open $f_{osc}=50MHz$	$V_{DD}=1.8V$	-	2.0	2.6	mA
			$V_{DD}=2.5V$	-	2.4	3.1	
			$V_{DD}=3.3V$	-	3.1	4.0	
		x2 version No load CONT=Open $f_{osc}=60MHz$	$V_{DD}=1.8V$	-	2.4	3.1	
			$V_{DD}=2.5V$	-	2.8	3.6	
			$V_{DD}=3.3V$	-	3.6	4.7	
		x3 version No load CONT=Open $f_{osc}=85MHz$	$V_{DD}=2.5V$	-	6.0	7.8	
			$V_{DD}=3.3V$	-	7.0	9.1	
		x4 version No load CONT=Open $f_{osc}=110MHz$	$V_{DD}=2.5V$	-	6.6	8.6	
			$V_{DD}=3.3V$	-	7.8	10.1	
		x5 version No load CONT=Open $f_{osc}=130MHz$	$V_{DD}=2.5V$	-	6.8	8.8	
			$V_{DD}=3.3V$	-	8.2	10.7	
		x6 version No load CONT=Open $f_{osc}=160MHz$	$V_{DD}=2.5V$	-	7.5	9.8	
			$V_{DD}=3.3V$	-	9.0	11.7	
Oscillation Stopping Current	I_{STB}	CONT= V_{SS} , No load	-	-	10	μA	
Output Voltage	V_{OH}	$I_{OH}=4mA$	$V_{DD}-0.4$	-	-	V	
	V_{OL}	$I_{OL}=4mA$	-	-	0.4	V	
Input Voltage	V_{IH}	CONT Input Tolerant Function	$0.7V_{DD}$	-	-	V	
	V_{IL}	CONT	-	-	$0.3V_{DD}$	V	
Input Current Note1)	I_{IN}	CONT= $3.63V$	-	-	1	μA	
		CONT= $0.8V_{DD}$	-	-	8		
		CONT= $0.2V_{DD}$	-	-	5		
3-state Off Leakage Current	I_{OZ}	CONT= V_{SS} , $F_{OUT}=V_{DD}$ or V_{SS}	-	-	± 0.1	μA	

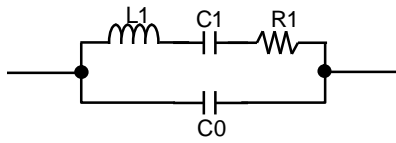
Note1) Absolute value.

($V_{DD}=1.62$ to $3.63V$ (x3, x4, x5, x6 2.25 to $3.63V$), $V_{SS}=0V$, $T_a=+25^{\circ}C$)

PARAMETER	SYMBOL	CONDITIONS	MIN	TYP	MAX	UNIT	
Feedback Resistance	Rf	x1 version	-	12.5	-	kΩ	
		x2 version	-	6.8	-		
		x3 version	-	6.8	-		
		x4 version	-	12.3	-		
		x5 version	--	12.4	-		
		x6 version	-	12.5	-		
Internal Capacitor	Cg/Cd	x1 version	-	7.2/7.2	-	pF	
		x2 version	-	7.2/7.2	-		
		x3 version	-	7.2/7.2	-		
		x4 version	-	5.1/5.4	-		
		x5 version	-	4.2/4.1	-		
		x6 version	-	3.1/3.1	-		
Oscillation Frequency	fosc	Recommendation Note1)	40		50	MHz	
			50		60		
			60		85		
			85		110		
			110		130		
			130		160		
Output Signal Symmetry	SYM	$C_L=15pF$, @ $V_{DD}/2$	45	50	55	%	
Output Signal Rise Time	tr	$C_L=15pF$ $0.1V_{DD}$ to $0.9V_{DD}$	$V_{DD}=1.8V$	-	2.0	4.0	ns
			$V_{DD}=2.5V$	-	1.1	2.1	
			$V_{DD}=3.3V$	-	0.8	1.7	
Output Signal Fall Time	tf	$C_L=15pF$ $0.9V_{DD}$ to $0.1V_{DD}$	$V_{DD}=1.8V$	-	1.7	3.4	ns
			$V_{DD}=2.5V$	-	1.0	1.9	
			$V_{DD}=3.3V$	-	0.8	1.5	
Output Disable time	t_{POZ}	$C_L=15pF$, $R_L=1k\Omega$	-	-	100	ns	
Output Enable Time	t_{PZO}	$C_L=15pF$	-	-	1	ms	

Note1) The oscillation frequency range has used NJRC's standard crystal for measurement. However it is not guaranteed. (Refer to EXAMPLE OF CRYSTAL PARAMETERS FOR MEASUREMENT CIRCUITS)

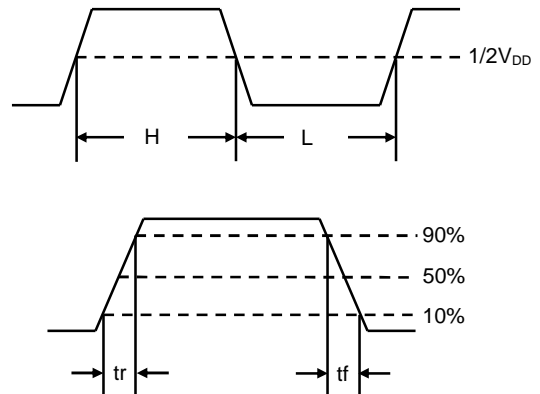
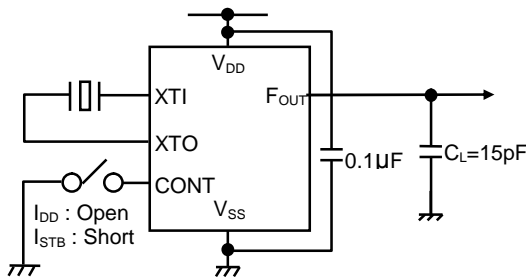
EXAMPLE OF CRYSTAL PARAMETERS FOR MEASUREMENT CIRCUITS



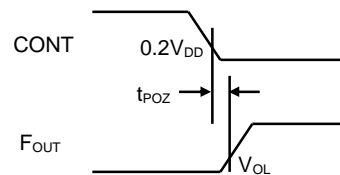
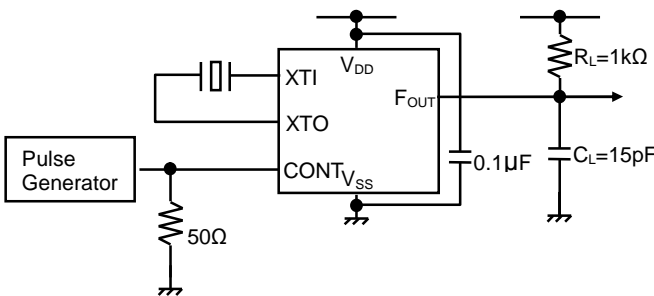
f[MHz]	R1[Ω]	L1[mH]	C1[fF]	C0[pF]	Size
40	34.8	20.8	0.76	2.42	7050
50	67.1	27.5	0.37	1.46	7050
60	33.1	10.7	0.66	2.49	7050
90	42.2	6.68	0.47	2.03	7050
113	30.2	3.52	0.56	3.22	7050
125	30.3	2.61	0.62	3.47	7050
133	24.7	2.11	0.68	3.60	7050
155	38.3	1.55	0.68	3.75	7050

MEASUREMENT CIRCUITS

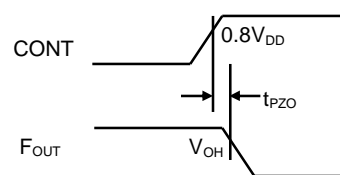
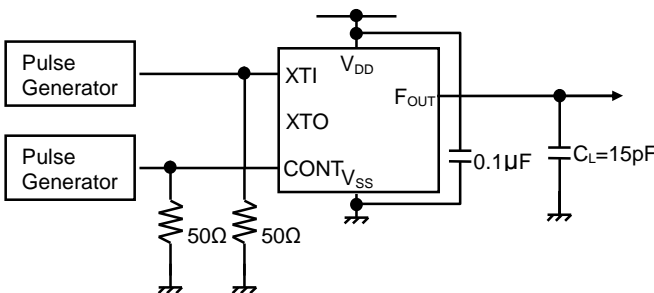
(1) Operating Current ($C_L=0pF$), Output Signal Symmetry ($C_L=15pF$), Output Signal Rise/Fall Time ($C_L=15pF$)



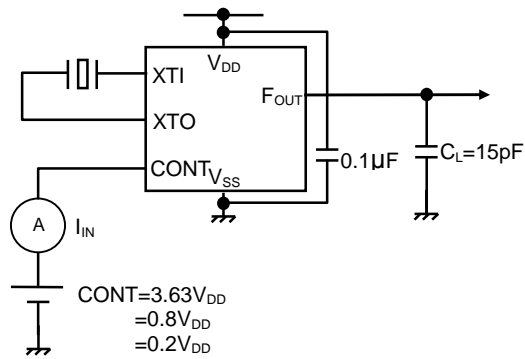
(2) Output Disable Time ($C_L=15pF, R_L=1kΩ$)



(3) Output Enable Time ($C_L=15pF$)



(4) Input Current ($C_L=15\text{pF}$)



[CAUTION]
 The specifications on this data book are only given for information, without any guarantee as regards either mistakes or omissions. The application circuits in this data book are described only to show representative usages of the product and not intended for the guarantee or permission of any right including the industrial rights.

Mouser Electronics

Authorized Distributor

Click to View Pricing, Inventory, Delivery & Lifecycle Information:

[NJR:](#)

[NJU6227](#)



Компания «ЭлектроПласт» предлагает заключение долгосрочных отношений при поставках импортных электронных компонентов на взаимовыгодных условиях!

Наши преимущества:

- Оперативные поставки широкого спектра электронных компонентов отечественного и импортного производства напрямую от производителей и с крупнейших мировых складов;
- Поставка более 17-ти миллионов наименований электронных компонентов;
- Поставка сложных, дефицитных, либо снятых с производства позиций;
- Оперативные сроки поставки под заказ (от 5 рабочих дней);
- Экспресс доставка в любую точку России;
- Техническая поддержка проекта, помощь в подборе аналогов, поставка прототипов;
- Система менеджмента качества сертифицирована по Международному стандарту ISO 9001;
- Лицензия ФСБ на осуществление работ с использованием сведений, составляющих государственную тайну;
- Поставка специализированных компонентов (Xilinx, Altera, Analog Devices, Intersil, Interpoint, Microsemi, Aeroflex, Peregrine, Syfer, Eurofarad, Texas Instrument, Miteq, Cobham, E2V, MA-COM, Hittite, Mini-Circuits, General Dynamics и др.);

Помимо этого, одним из направлений компании «ЭлектроПласт» является направление «Источники питания». Мы предлагаем Вам помощь Конструкторского отдела:

- Подбор оптимального решения, техническое обоснование при выборе компонента;
- Подбор аналогов;
- Консультации по применению компонента;
- Поставка образцов и прототипов;
- Техническая поддержка проекта;
- Защита от снятия компонента с производства.



Как с нами связаться

Телефон: 8 (812) 309 58 32 (многоканальный)

Факс: 8 (812) 320-02-42

Электронная почта: org@eplast1.ru

Адрес: 198099, г. Санкт-Петербург, ул. Калинина, дом 2, корпус 4, литера А.