



CODE 54 - TINEL-LOCK BACKSHELL

TXR54AB00-1608AI-S

SERIES _____
 TXR: RING INCLUDED
 (SEE RING OPTION)
 TX: RING NOT INCLUDED
 CONNECTOR INTERFACE _____
 MATERIAL _____
 REFER TO CH00-0250-008
 FINISH _____
 REFER TO CH00-0250-008
 ANGLE _____
 DASH NUMBER (TABLE 1) _____
 ENTRY SIZE (TABLE 2) _____
 RING OPTION _____
 AI - TO SUIT SINGLE BRAID
 BI - TO SUIT DOUBLE BRAID
 FOR TX, LEAVE BLANK
 MODIFICATION CODE _____
 REFER TO CH00-0250-008

NOTES:

1. THIS PRODUCT IS DESIGNED TO TERMINATE A BRAIDED CABLE SHIELD AND A HEAT SHRINKABLE LIPPED BOOT TO A CONNECTOR.
2. FOR ADDITIONAL DIMENSIONS, ORDERING INFORMATION AND MODIFICATIONS, SEE CH00-0250-008.
3. SEE DRAWING TR FOR DETAIL ON TINEL-LOCK RING, RINGS ARE DESIGNED TO BE HEATED ELECTRICALLY, ALL RINGS ARE MARKED WITH THERMOCHROMIC PAINT WHICH CHANGES COLOUR WHEN INSTALLATION TEMPERATURE IS REACHED.
4. BACKSHELL TO BE PERMANENTLY MARKED/BAGGED AND LABELLED WITH CODE IDENTIFICATION NUMBER AND PART NUMBER LESS RING DESIGNATOR. (e.g. 06090-TXR54AB00-1206). RING SHALL BEAR NO MARKING.
5. FOR LARGER ENTRY SIZES, A 2 PIECE BACKSHELL ASSEMBLY (TYPE 2) IS SUPPLIED.
6. BACKSHELL MATES TO MIL-C-81703, SERIES III, MS3424, MS3446, MS3464, MS3467, MS3468
7. BACKSHELL MATES TO MIL-C-5015G, MS3400 SERIES, CLASS D, E, K, L, U & W, MS3400, MS3401, MS3404, MS3406 MS3424, MS3446, MS3464, MS3467, MS3468, MS3450, MS3451, MS3454, MS3456, MS3470, MS3471, MS3472, MS3474, MS3475, MS3476. MIL-C-83723, SERIES II, CLASS A & L. MIL-C-83723, SERIES I & II, CLASS A, G, K, R & S: M83723/1, /2, /3, /4, /5, /6, /7, /8, /13, /14, /36, /37, /38, /39, /40, /41, /42, /43, /48, /49, /65, /66, /67, /68, /69, /70, /71, /72, /73, /74, /75, /76, /77, /78, /82, /83, /84, /85, /86, /87, /91, /92, /95, /97, /98, (MS3155 CONTROLLED INTERFACE).
8. THESE DIMENSIONS APPLY IF A SELF-LOCKING COUPLING NUT IS USED.

| | | | | | | |
|--|---------------------------|------------|---|--|--|--|
| DRAWN | K.WINCZURA | DATE | 01/12/2014 |  3RD ANGLE PROJECTION NOT TO SCALE | TITLE: TINEL-LOCK BACKSHELL |  Polanco  |
| CHECKED | | 01/12/2014 | | | | |
| APPROVED | K.SHEPPARD | 04/12/2014 | UNLESS OTHERWISE SPECIFIED ALL DIMENSIONS IN MILLIMETRES GENERAL TOL LINEAR +/-0.25MM ANGULAR +/- 1° | | | |
| APPROVED | | | | | | |
| REVISIONS | | | | | ASSY USED ON: MIL-DTL-26482 SERIES II / MIL-DTL-83723 SERIES I & III | |
| LTR | DESCRIPTION | DATE | APPROVED | | | |
| J | REVISED PER ECO-12-021161 | 04.12.12 | G.WELLS | | | |
| K | REVISED PER ECO-15-002312 | 13.02.15 | H.SMITH | | | |
| TE CAGE CODE: 06090 POLAMCO/TE CAGE CODE: U5792 | | | | | TE CONNECTIVITY - POLAMCO LTD RESERVES THE RIGHT TO AMEND THIS DRAWING AND THE INFORMATION SET FORTH HEREON AT ANY TIME. USERS SHOULD INDEPENDENTLY EVALUATE THE SUITABILITY OF THE PRODUCT FOR THEIR APPLICATION. | DRAWING NO: TXR54 |
| | | | | | DRAWING REV: K | SHT 1 |



STAINLESS STEEL TEETH VIEW



STRAIGHT BACKSHELL - TYPE 1



STRAIGHT BACKSHELL - TYPE 2



45° BACKSHELL - TYPE 1



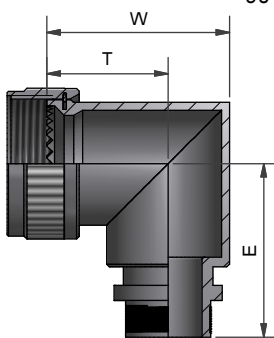
45° BACKSHELL - TYPE 2



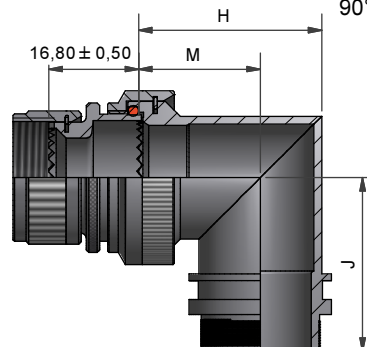
90° BACKSHELL - TYPE 1



90° BACKSHELL - TYPE 2



90° BACKSHELL - TYPE 1
STAINLESS STEEL AND
NICKEL ALUMINIUM BRONZE



90° BACKSHELL - TYPE 2
STAINLESS STEEL AND
NICKEL ALUMINIUM BRONZE

| | | | |
|-----------|---------------------------|----------|------------|
| DRAWN | K.WINCZURA | DATE | 01/12/2014 |
| CHECKED | | DATE | 01/12/2014 |
| APPROVED | K.SHEPPARD | DATE | 04/12/2014 |
| APPROVED | | | |
| REVISIONS | | | |
| LTR | DESCRIPTION | DATE | APPROVED |
| J | REVISED PER ECO-12-021161 | 04.12.12 | G.WELLS |
| K | REVISED PER ECO-15-002312 | 13.02.15 | H.SMITH |

3RD ANGLE PROJECTION NOT TO SCALE

UNLESS OTHERWISE SPECIFIED ALL DIMENSIONS IN MILLIMETRES
GENERAL TOL
LINEAR +/-0,25MM
ANGULAR +/- 1°

TITLE:
TINEL-LOCK BACKSHELL

ASSY USED ON:
MIL-DTL-26482 SERIES II / MIL-DTL-83723 SERIES I & III



TE CAGE CODE: 06090
POLAMCO/TE CAGE CODE: U5792

TE CONNECTIVITY - POLAMCO LTD RESERVES THE RIGHT TO AMEND THIS DRAWING AND THE INFORMATION SET FORTH HEREON AT ANY TIME. USERS SHOULD INDEPENDENTLY EVALUATE THE SUITABILITY OF THE PRODUCT FOR THEIR APPLICATION.

| | | |
|-----------------------------|--------------------------|-----------------|
| DRAWING NO: TXR54 | DRAWING REV: K | SHT 2 |
|-----------------------------|--------------------------|-----------------|

MODIFICATION S (SELF-LOCKING COUPLING NUT)



BACKSHELL - TYPE 1



BACKSHELL - TYPE 2


TABLE 1

| ORDER NO. | SHELL SIZE | | A THREAD | ØB MAX | ØB MAX (8) | MAX ENTRY | C ±0,5 | D ±0,5 | W ±0,5 | T ±0,5 | E ±0,5 | THESE DIMENSIONS APPLY IF BACKSHELL IS STAINLESS STEEL OR NICKEL ALUMINIUM BRONZE | | |
|-----------|------------|---------------|----------------|--------|------------|-----------|--------|--------|--------|--------|--------|---|--------|--------|
| | (6) | (7) | | | | | | | | | | W ±0,5 | T ±0,5 | E ±0,5 |
| 03 | 3 | | 9/16-24 UNEF | 17,0 | 19,4 | 04 | 16,8 | 27,0 | 26,4 | 17,8 | 25,9 | 26,3 | 16,0 | 25,9 |
| 08 | | 8 & 8S | 1/2-20 UNF | 15,6 | 18,0 | 04 | 16,6 | 26,8 | 24,5 | 17,5 | 26,2 | 22,4 | 17,5 | 26,2 |
| 10 | | 10, 10S, 10SL | 5/8-24 UNEF | 18,6 | 21,0 | 06 | 16,8 | 27,5 | 26,5 | 17,8 | 28,0 | 25,0 | 18,8 | 28,0 |
| 12 | 7 | 12 & 12S | 3/4-20 UNEF | 21,7 | 25,0 | 08 | 17,3 | 28,0 | 29,0 | 18,7 | 29,5 | 28,3 | 20,4 | 29,5 |
| 14 | 12 | 14 & 14S | 7/8-20 UNEF | 24,9 | 28,0 | 08 | 18,1 | 29,0 | 30,5 | 19,0 | 30,3 | 30,4 | 21,5 | 31,0 |
| 16 | 19 | 16 & 16S | 1-20 UNEF | 28,2 | 31,0 | 10 | 19,0 | 29,7 | 34,0 | 21,0 | 32,7 | 33,5 | 23,0 | 32,7 |
| 18 | 27 | 18 | 1 1/16-18 UNEF | 30,9 | 34,0 | 12 | 19,2 | 30,5 | 37,0 | 23,5 | 32,7 | 35,5 | 24,0 | 32,7 |
| 20 | 37 | 20 | 1 3/16-18 UNEF | 34,1 | 36,5 | 14 | 20,1 | 30,9 | 42,0 | 27,0 | 34,3 | 38,8 | 25,7 | 34,3 |
| 22 | | 22 | 1 5/16-18 UNEF | 37,3 | 39,8 | 16 | 20,3 | 31,1 | 44,0 | 27,0 | 35,8 | 41,9 | 27,2 | 35,8 |
| 24 | | 24 | 1 7/16-18 UNEF | 40,4 | 42,0 | 18 | 21,8 | 32,1 | 45,0 | 27,0 | 37,4 | 44,8 | 28,7 | 37,4 |
| 28 | | 28 | 1 3/4-18UNS | 50,0 | 49,8 | 22 | 23,3 | 32,5 | 54,2 | 31,4 | 41,9 | 50,7 | 31,6 | 41,9 |
| 32 | | 32 | 2-18 UNS | 56,3 | 57,2 | 24 | 25,0 | 29,3 | 60,9 | 36,4 | 45,3 | 60,0 | 33,5 | 45,3 |
| 36 | | 36 | 2 1/4-16 UN | 62,7 | 63,6 | 28 | 26,2 | 30,7 | 67,2 | 38,0 | 48,4 | 65,5 | 36,0 | 48,4 |
| 40 | | 40 | 2 1/2-16 UN | 69,0 | 70,0 | 28 | 28,6 | 32,0 | 73,2 | 41,0 | 51,4 | 72,0 | 39,3 | 51,4 |
| 44 | | 44 | 2 3/4-16 UN | 75,4 | 75,4 | 28 | 30,1 | 33,7 | 79,5 | 44,1 | 54,6 | 75,5 | 40,8 | 54,6 |
| 48 | | 48 | 3-16UN | 81,7 | 81,7 | 28 | 31,3 | 34,9 | 85,8 | 47,2 | 57,7 | 75,5 | 40,8 | 57,7 |
| 61 | 61 | | 1 1/2-18 UNEF | 42,0 | 43,6 | 18 | 22,1 | 26,6 | 47,8 | 28,0 | 38,7 | 48,3 | 27,0 | 38,7 |

TABLE 2

| ENTRY SIZE | ØZ MIN | ØS | ØY ± 0,3 | ØK MAX | ØK MAX (8) | F ±0,5 | G ±0,5 | H ±0,5 | M ±0,5 | J ±0,5 | THESE DIMENSIONS APPLY IF BACKSHELL IS STAINLESS STEEL OR NICKEL ALUMINIUM BRONZE | | |
|------------|--------|---------------|----------|--------|------------|--------|--------|--------|--------|--------|---|--------|--------|
| | | | | | | | | | | | H ±0,5 | M ±0,5 | J ±0,5 |
| 04 | 6,35 | 9,49 +/-0,04 | 14,00 | NA | NA | 12,5 | 27,5 | 24,0 | 15,5 | 27,95 | 24,3 | 17,2 | 28,2 |
| 05 | 7,92 | 11,06 +/-0,04 | 15,50 | 21,0 | 24,6 | 12,5 | 27,5 | 24,0 | 15,5 | 27,95 | 24,3 | 17,2 | 28,2 |
| 06 | 9,53 | 12,66 +/-0,04 | 17,10 | 21,0 | 24,6 | 12,5 | 27,5 | 24,0 | 15,5 | 27,95 | 24,3 | 17,2 | 28,2 |
| 07 | 11,10 | 14,21 +/-0,07 | 18,70 | 21,0 | 24,6 | 12,5 | 27,5 | 24,0 | 15,5 | 27,95 | 24,3 | 17,2 | 28,2 |
| 08 | 12,70 | 15,81 +/-0,07 | 20,30 | 24,5 | 28,3 | 13,1 | 28,0 | 27,0 | 17,0 | 29,45 | 28,3 | 19,4 | 29,7 |
| 10 | 15,88 | 18,96 +/-0,08 | 23,50 | 29,0 | 32,4 | 13,5 | 29,0 | 31,0 | 19,5 | 31,00 | 31,1 | 21,0 | 31,2 |
| 12 | 19,05 | 22,14 +/-0,08 | 26,70 | 32,5 | 35,6 | 14,5 | 29,7 | 34,0 | 21,0 | 32,70 | 34,2 | 22,8 | 32,9 |
| 14 | 22,23 | 25,30 +/-0,08 | 29,80 | 35,5 | 38,5 | 15,5 | 30,5 | 35,0 | 20,0 | 34,25 | 38,5 | 25,3 | 34,5 |
| 16 | 25,40 | 28,48 +/-0,08 | 33,00 | 37,0 | 41,7 | 16,1 | 30,9 | 38,0 | 21,5 | 35,80 | 40,7 | 26,1 | 36,1 |
| 18 | 28,58 | 31,65 +/-0,08 | 36,20 | 40,0 | 43,9 | 16,5 | 31,1 | 42,0 | 24,0 | 37,40 | 43,7 | 27,6 | 37,6 |
| 20 | 31,75 | 34,83 +/-0,08 | 39,40 | 43,5 | 47,0 | 17,0 | 32,1 | 45,0 | 25,5 | 38,90 | 46,4 | 29,1 | 39,1 |
| 22 | 34,93 | 37,98 +/-0,08 | 42,50 | 48,5 | 50,0 | 18,5 | 33,3 | 54,5 | 31,0 | 42,00 | 50,0 | 31,0 | 42,0 |
| 24 | 38,10 | 41,15 +/-0,08 | 45,70 | 52,1 | 56,0 | 21,9 | 38,1 | 58,0 | 33,0 | 46,00 | 53,5 | 33,0 | 46,0 |
| 28 | 44,45 | 47,50 +/-0,08 | 52,00 | 58,5 | 61,0 | 26,9 | 44,4 | 65,5 | 36,5 | 51,1 | 60,3 | 36,5 | 51,1 |

| | | | | |
|---|---------------------------|----------|------------|--|
| DRAWN | K.WINCZURA | DATE | 01/12/2014 |  3RD ANGLE PROJECTION NOT TO SCALE |
| CHECKED | | DATE | 01/12/2014 | |
| APPROVED | K.SHEPPARD | DATE | 04/12/2014 | |
| APPROVED | | | | |
| UNLESS OTHERWISE SPECIFIED ALL DIMENSIONS IN MILLIMETRES GENERAL TOL LINEAR +/-0,25MM ANGULAR +/- 1° | | | | |
| REVISIONS | | | | |
| LTR | DESCRIPTION | DATE | APPROVED | |
| J | REVISED PER ECO-12-021161 | 04.12.12 | G.WELLS | |
| K | REVISED PER ECO-15-002312 | 13.02.15 | H.SMITH | |
| TE CAGE CODE: 06090 POLAMCO/TE CAGE CODE: U5792 | | | | |

| | | |
|--|--|--|
| TITLE: <h2 style="text-align: center;">TINEL-LOCK BACKSHELL</h2> | |  Polamco |
| ASSY USED ON: <h3 style="text-align: center;">MIL-DTL-26482 SERIES II / MIL-DTL-83723 SERIES I & III</h3> | | |
| TE CONNECTIVITY - POLAMCO LTD RESERVES THE RIGHT TO AMEND THIS DRAWING AND THE INFORMATION SET FORTH HEREON AT ANY TIME. USERS SHOULD INDEPENDENTLY EVALUATE THE SUITABILITY OF THE PRODUCT FOR THEIR APPLICATION. | | DRAWING NO: <h2 style="text-align: center;">TXR54</h2> |
| | | DRAWING REV: <h2 style="text-align: center;">K</h2> |
| | | SHT <h2 style="text-align: center;">3</h2> |



Компания «ЭлектроПласт» предлагает заключение долгосрочных отношений при поставках импортных электронных компонентов на взаимовыгодных условиях!

Наши преимущества:

- Оперативные поставки широкого спектра электронных компонентов отечественного и импортного производства напрямую от производителей и с крупнейших мировых складов;
- Поставка более 17-ти миллионов наименований электронных компонентов;
- Поставка сложных, дефицитных, либо снятых с производства позиций;
- Оперативные сроки поставки под заказ (от 5 рабочих дней);
- Экспресс доставка в любую точку России;
- Техническая поддержка проекта, помощь в подборе аналогов, поставка прототипов;
- Система менеджмента качества сертифицирована по Международному стандарту ISO 9001;
- Лицензия ФСБ на осуществление работ с использованием сведений, составляющих государственную тайну;
- Поставка специализированных компонентов (Xilinx, Altera, Analog Devices, Intersil, Interpoint, Microsemi, Aeroflex, Peregrine, Syfer, Eurofarad, Texas Instrument, Miteq, Cobham, E2V, MA-COM, Hittite, Mini-Circuits, General Dynamics и др.);

Помимо этого, одним из направлений компании «ЭлектроПласт» является направление «Источники питания». Мы предлагаем Вам помощь Конструкторского отдела:

- Подбор оптимального решения, техническое обоснование при выборе компонента;
- Подбор аналогов;
- Консультации по применению компонента;
- Поставка образцов и прототипов;
- Техническая поддержка проекта;
- Защита от снятия компонента с производства.



Как с нами связаться

Телефон: 8 (812) 309 58 32 (многоканальный)

Факс: 8 (812) 320-02-42

Электронная почта: org@eplast1.ru

Адрес: 198099, г. Санкт-Петербург, ул. Калинина, дом 2, корпус 4, литера А.