



TAOGLAS®



Datasheet

Wi-Fi Barracuda

Part No:
OMB.242.08F21

Description:

8dBi Omni-Directional Outdoor Antenna
For Wi-Fi/Bluetooth/Zigbee 2.4-2.5dBi

Features:

Omni-Directional Radiation Pattern
Collinear
8dBi Peak Gain
Robust Design for all Weather Operation
Length: 553mm
Diameter: 24mm
Weight: 380g
IP65 Waterproof
N Type Female Connector
Wall/Pole Mount Bracket Included
RoHS & Reach Compliant

1. Introduction	3
2. Specifications	4
3. Antenna Characteristics	6
4. Radiation Patterns	9
5. Mechanical Drawing	11
6. Installation	12
7. Packaging	13
<hr/>	
Changelog	14

Taoglas makes no warranties based on the accuracy or completeness of the contents of this document and reserves the right to make changes to specifications and product descriptions at any time without notice. Taoglas reserves all rights to this document and the information contained herein. Reproduction, use or disclosure to third parties without express permission is strictly prohibited.



1. Introduction



The Barracuda OMB.242.08F21 has been designed to provide long distance coverage at the 2.4-2.5GHz Wi-Fi band. The OMB.242 is a fiberglass robust outdoor antenna for use where an omnidirectional radiation pattern is required. The base is aluminum - meaning it is resistant to rusting. The fiberglass enclosure is UV coated making this antenna suitable for the harshest outdoor environments. The Barracuda is IP65 rated and can be mounted in areas where installation may be difficult.

The peak gain of 8dBi ensures constant reception and transmission between the device and its network. The omnidirectional antenna collinear dipole design means it uniformly in the azimuth with a high gain, providing coverage over long distances, thus minimizing the number of cells or nodes needed in a network.

Typical Applications Include:

- Public Safety
- Wireless Video Systems
- Agriculture

This antenna is provided with a wall or pole mount bracket, for more information please contact your regional Taoglas customer support team.

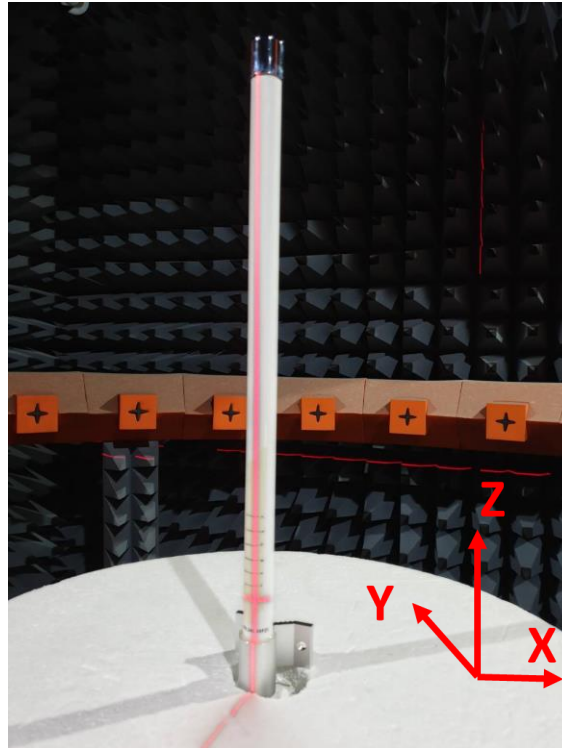
2. Specifications

Wi-Fi MIMO	
Frequency (MHz)	2400~2500
Efficiency (%)	
Free Space	92.66
Average Gain (dB)	
Free Space	-0.33
Peak Gain (dBi)	
Free Space	8.24
Impedance	50 Ohms
Polarization	Vertical
Radiation Pattern	Omni
Max. input power	50W
VSWR	≤ 1.3
Vertical Beamwidth	57°
Horizontal Beamwidth	360°

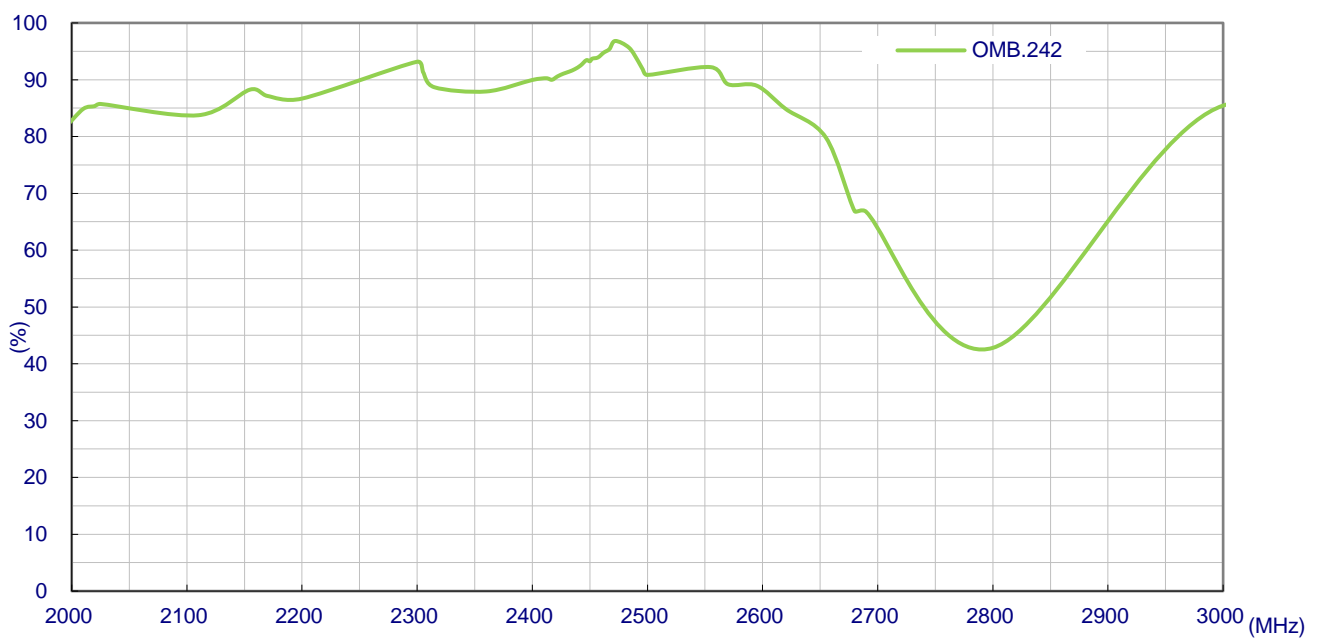
Mechanical	
Connector	1 x N Type Female
Connector Location	Bottom
Dimensions	Length 553mm, Diameter 24mm
Radome Diameter	24mm
Weight (& Mounting Bracket max)	380g
Internal Material	Copper
Radome Material	White Fiberglass
Base Material	Aluminium
Waterproof	IP65
Mounting Style	Pole Mount/Wall Mount
Mounting	32-45mm Stainless Steel U-Type Screw
Environmental	
Wind Survival	>150mph(>241km/h)
Operating Temperature	-40°C to +60°C
Storage Temperature	-40°C to +80°C
Operating Humidity	10%~90% non-condensing
Storage Humidity	5%~90% non-condensing

3. Antenna Characteristics

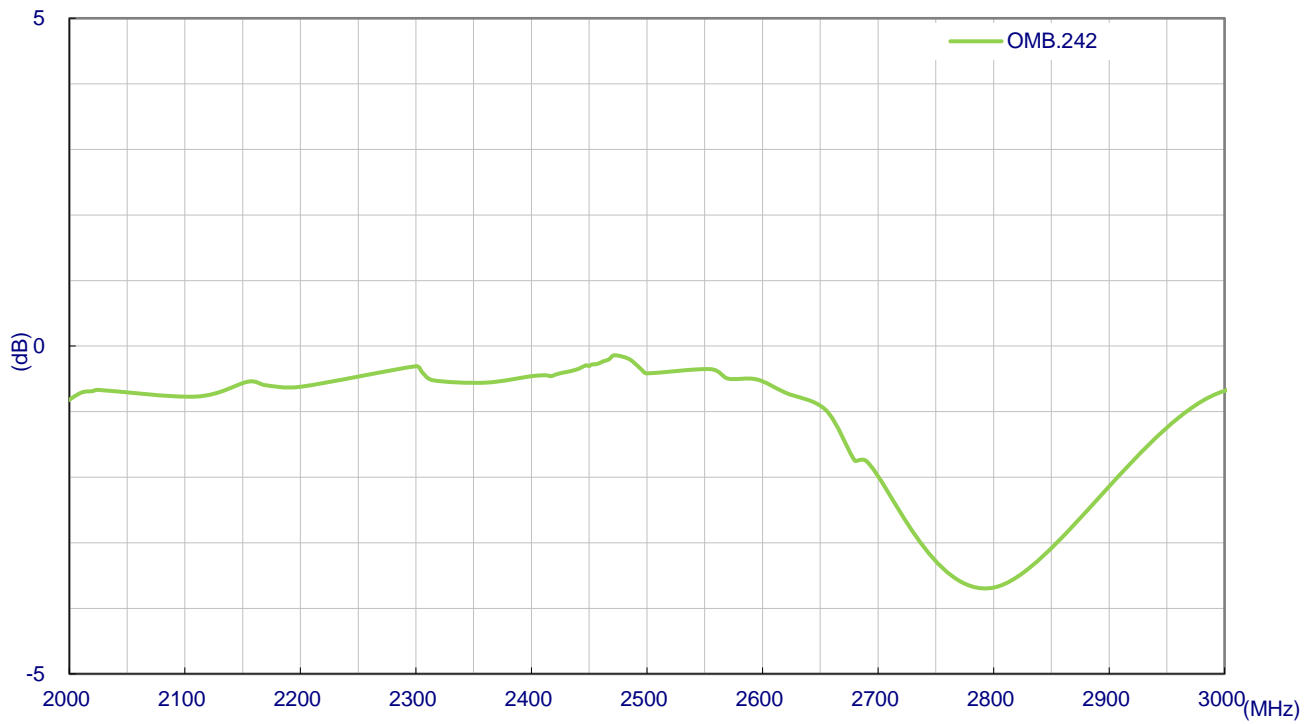
3.1 Test Set Up



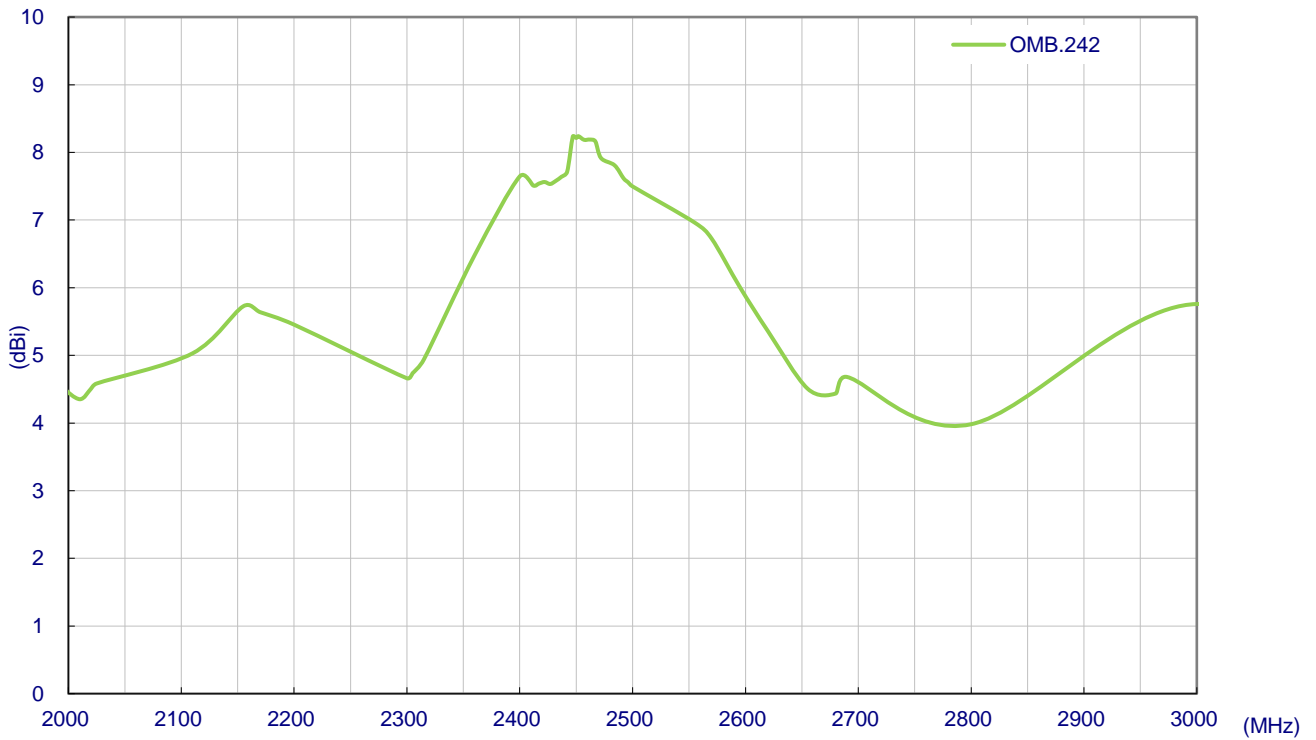
3.2 Efficiency



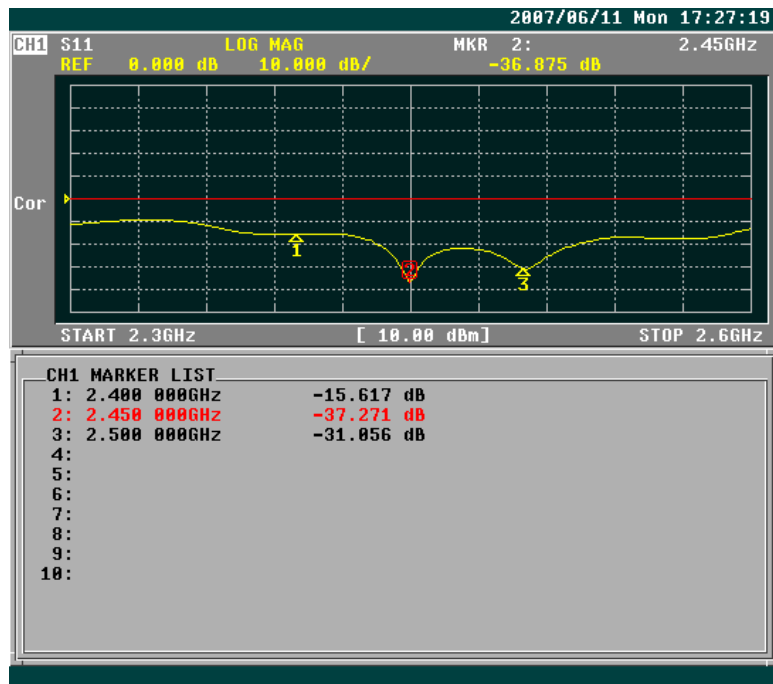
3.3 Average Gain



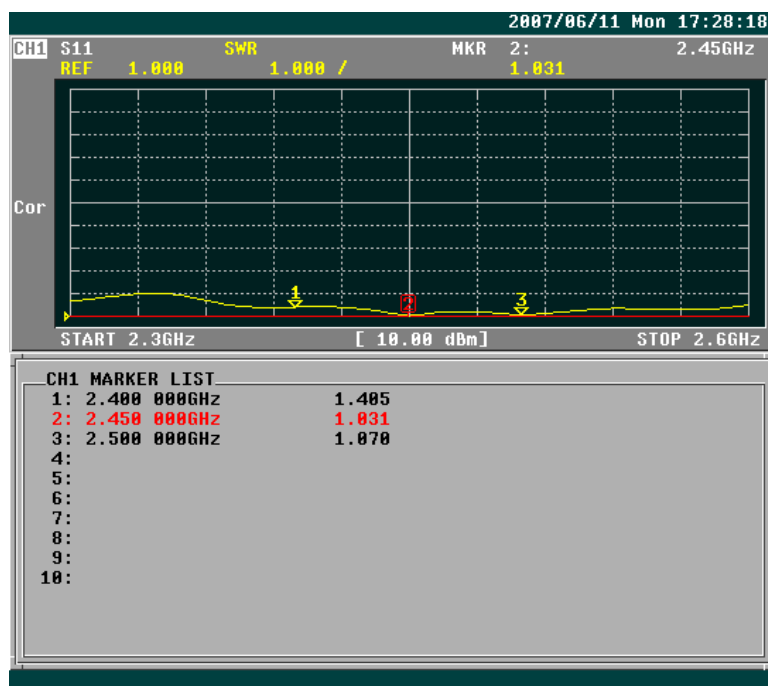
3.4 Peak Gain



3.5 Return Loss

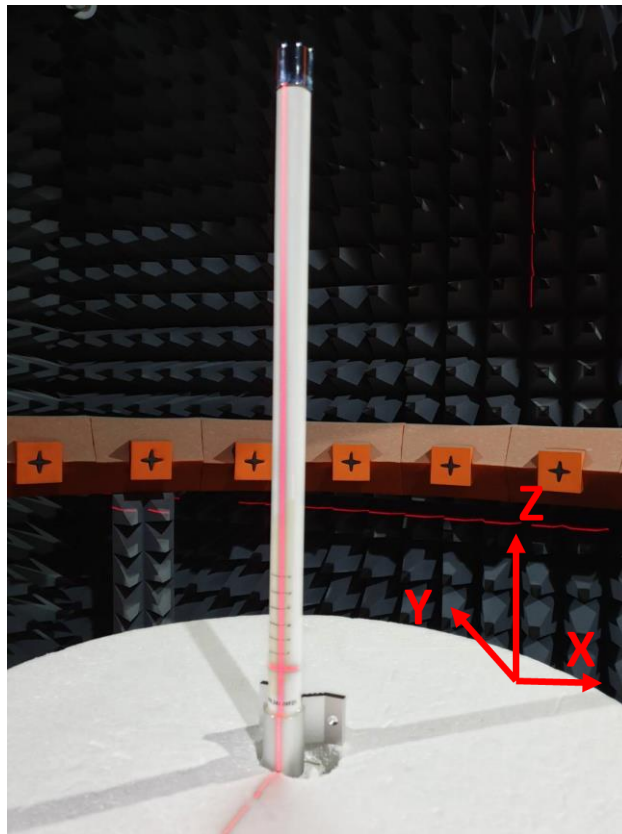


3.6 VSWR



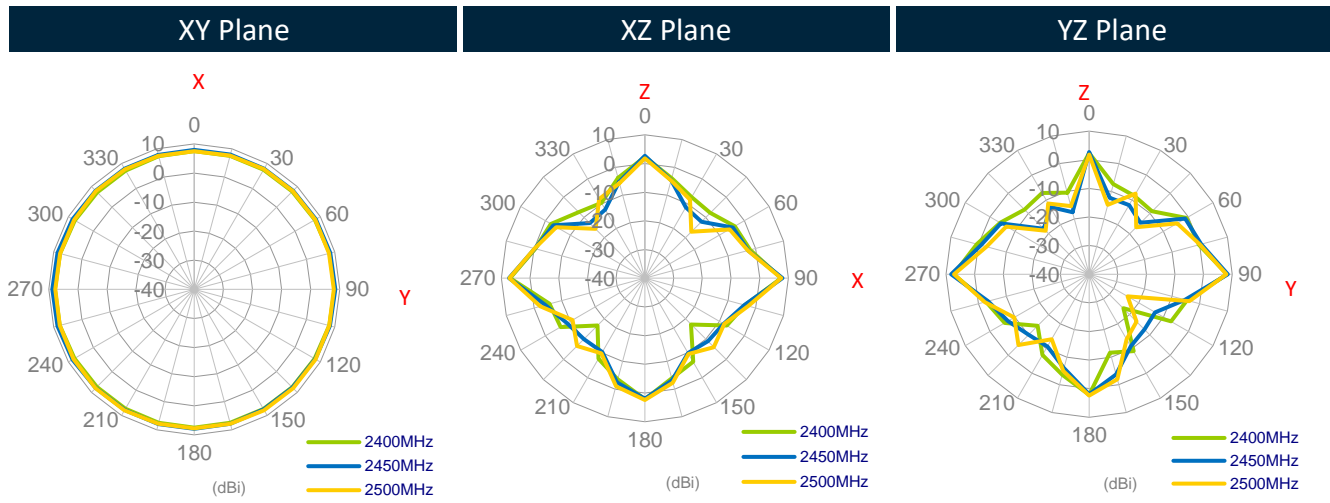
4. Radiation Patterns

4.1 Test Setup

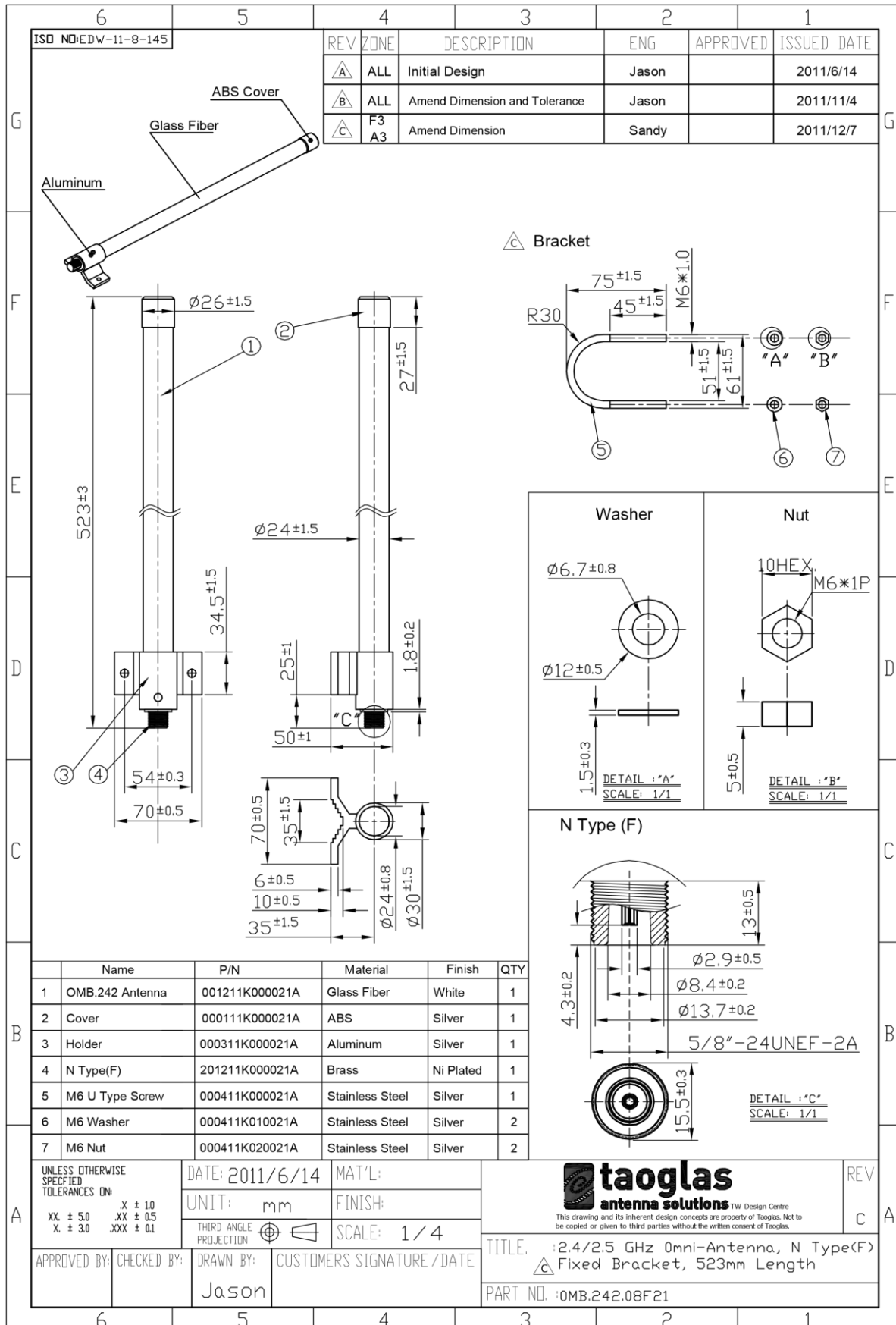


Free space

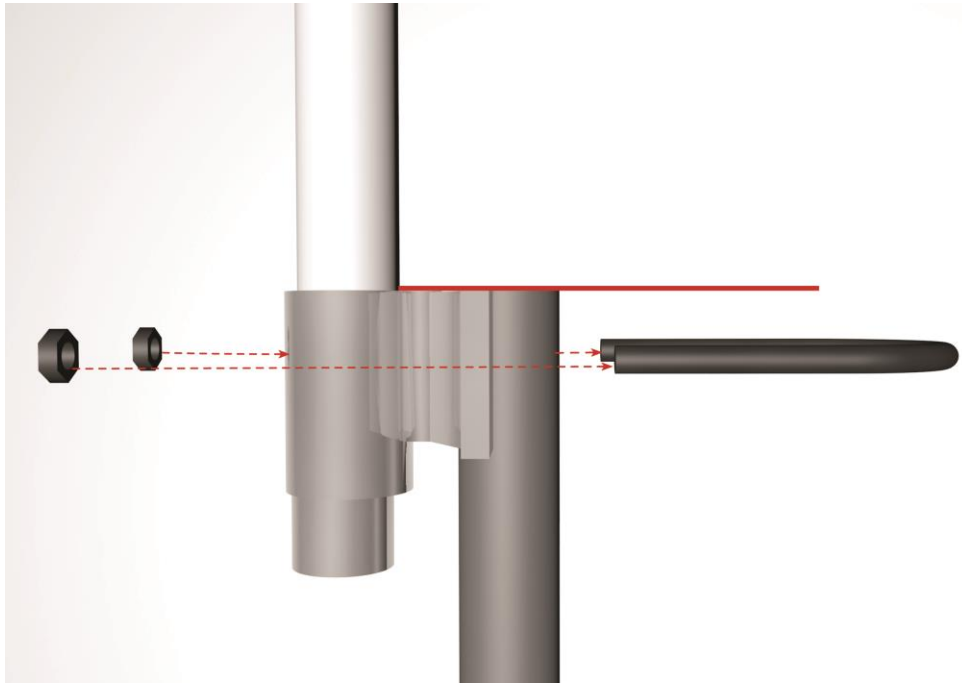
4.2 2D Radiation Patterns



5. Mechanical Drawing (Units: mm)

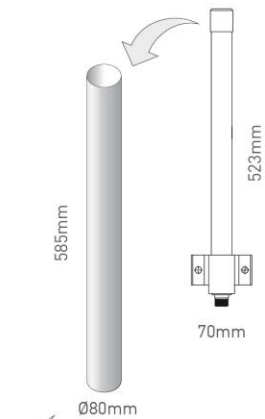


6. Installation Instructions

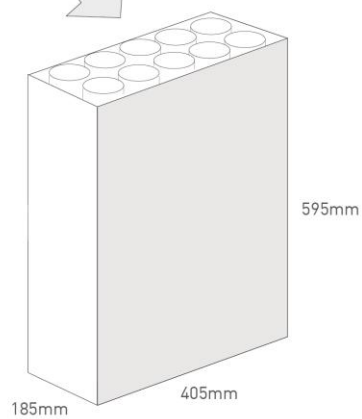


7. Packaging

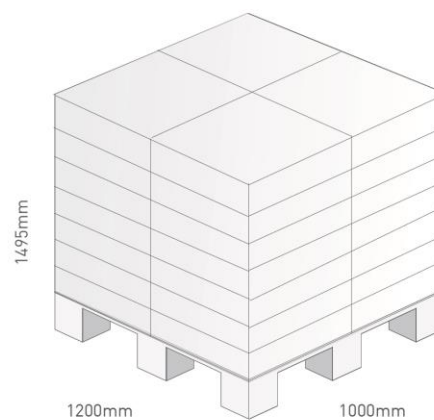
1 OMB.242.08F21 per tube
 Tube Dimensions - Ø80mm*Height 585mm
 Total Weight - 536.5g



10 tubes per carton
 10 pcs OMB.242.08F21 per carton
 Carton Dimensions - 405*595*185mm
 Weight - 6.22kg



Pallet Dimensions 1200mm*1000mm*1495mm
 28 Cartons per Pallet
 4 Cartons per layer
 7 Layers



Changelog for the datasheet

SPE-12-8-008 - OMB.242.08F21

Revision: F (Current Version)

Date:	2019-10-31
Changes:	Installation Guide Amended
Changes Made by:	Jack Conroy

Previous Revisions

Revision: E

Date:	2018-03-27
Changes:	Installation Guide Amended
Changes Made by:	Jack Conroy

Revision: D

Date:	2018-03-16
Changes:	Installation Guide Detail Added
Changes Made by:	Jack Conroy

Revision: C

Date:	2017-03-08
Changes:	Removed Section
Changes Made by:	Aine Doyle

Revision: B

Date:	2012-11-20
Changes:	Packaging Details Updated
Changes Made by:	Aine Doyle

Revision: A (Original First Release)

Date:	2011-01-20
Notes:	
Author:	Aine Doyle



TAOGLAS®

www.taoglas.com





Компания «ЭлектроПласт» предлагает заключение долгосрочных отношений при поставках импортных электронных компонентов на взаимовыгодных условиях!

Наши преимущества:

- Оперативные поставки широкого спектра электронных компонентов отечественного и импортного производства напрямую от производителей и с крупнейших мировых складов;
- Поставка более 17-ти миллионов наименований электронных компонентов;
- Поставка сложных, дефицитных, либо снятых с производства позиций;
- Оперативные сроки поставки под заказ (от 5 рабочих дней);
- Экспресс доставка в любую точку России;
- Техническая поддержка проекта, помощь в подборе аналогов, поставка прототипов;
- Система менеджмента качества сертифицирована по Международному стандарту ISO 9001;
- Лицензия ФСБ на осуществление работ с использованием сведений, составляющих государственную тайну;
- Поставка специализированных компонентов (Xilinx, Altera, Analog Devices, Intersil, Interpoint, Microsemi, Aeroflex, Peregrine, Syfer, Eurofarad, Texas Instrument, Miteq, Cobham, E2V, MA-COM, Hittite, Mini-Circuits, General Dynamics и др.);

Помимо этого, одним из направлений компании «ЭлектроПласт» является направление «Источники питания». Мы предлагаем Вам помощь Конструкторского отдела:

- Подбор оптимального решения, техническое обоснование при выборе компонента;
- Подбор аналогов;
- Консультации по применению компонента;
- Поставка образцов и прототипов;
- Техническая поддержка проекта;
- Защита от снятия компонента с производства.



Как с нами связаться

Телефон: 8 (812) 309 58 32 (многоканальный)

Факс: 8 (812) 320-02-42

Электронная почта: org@eplast1.ru

Адрес: 198099, г. Санкт-Петербург, ул. Калинина, дом 2, корпус 4, литера А.