



SMSC[®]
SUCCESS BY DESIGN

USB2512/12A/12B
USB2513/13B
USB2514/14B
USB2517



USB 2.0 Hi-Speed Hub Controller

PRODUCT FEATURES

Datasheet

General Description

The SMSC USB251x hub is a family of low-power, OEM configurable, MTT (multi transaction translator)¹ hub controller IC products for embedded USB solutions. The “x” in the part number indicates the number of downstream ports available. The SMSC hub supports low-speed, full-speed, and hi-speed (if operating as a hi-speed hub) downstream devices on all of the enabled downstream ports.

For a summary of the products documented in this datasheet, please refer to the [Chapter 1, "USB251x Hub Family Differences Overview,"](#) on page 7.

Highlights

- High performance, low-power, small footprint hub controller IC with 2, 3, 4, or 7 downstream ports (indicated by the “x” in the part number)
- Fully compliant with the USB 2.0 specification
- Enhanced OEM configuration options available through either a single serial I²C[®] EEPROM, or SMBus slave port
- **MultiTRAK™**
 - High-performance multiple transaction translator which provides one transaction translator per port
- **PortMap**
 - Flexible port mapping and disable sequencing
- **PortSwap**
 - Programmable USB differential-pair pin locations ease PCB design by aligning USB signal lines directly to connectors
- **PHYBoost**
 - Programmable USB signal drive strength for recovering signal integrity using 4-level driving strength resolution

Features

- USB251xB/xBi products are fully footprint compatible with USB251x/xi/xA/xAi products as direct drop-in replacements
 - Cost savings include using the same PCB components and application of USB-IF Compliance by Similarity
- Full power management with individual or ganged power control of each downstream port
- Fully integrated USB termination and pull-up/pull-down resistors
- Supports a single external 3.3 V supply source; internal regulators provide 1.2 V or 1.8 V internal core voltage
- Onboard 24 MHz crystal driver, ceramic resonator, or external 24/48 MHz clock input
- Customizable vendor ID, product ID, and device ID
- 4 kilovolts of HBM JESD22-A114F ESD protection (powered and unpowered)
- Supports self- or bus-powered operation
- USB251xB and USB251xBi products support the USB Battery Charging specification Rev. 1.1 for Charging Downstream Ports (CDP)
- Lead-free RoHS compliant packages:
 - 36-pin QFN (6x6 mm)
 - 48-pin QFN (7x7 mm)
 - 64-pin QFN (9x9 mm)
- USB251xi, USB2512Ai, and USB251xBi products support the industrial temperature range of -40°C to +85°C
- USB251xB products support the extended commercial temperature range of 0°C to +85°C

Applications

- LCD monitors and TVs
- Multi-function USB peripherals
- PC motherboards
- Set-top boxes, DVD players, DVR/PVR
- Printers and scanners
- PC media drive bay
- Portable hub boxes
- Mobile PC docking
- Embedded systems

¹.USB2512A/Ai only uses a single transaction translator.

ORDER NUMBERS:

ORDER NUMBERS	LEAD-FREE ROHS COMPLIANT PACKAGE	PACKAGE SIZE	TEMPERATURE RANGE
USB2512-AEZG USB2512A-AEZG USB2513-AEZG USB2514-AEZG	36QFN	6 x 6 x 0.5 mm	0°C to 70°C
USB2512B-AEZG USB2513B-AEZG USB2514B-AEZG			0°C to 85°C
USB2512i-AEZG USB2512Ai-AEZG USB2512Bi-AEZG USB2513i-AEZG USB2513Bi-AEZG USB2514i-AEZG USB2514Bi-AEZG			-40°C to 85°C
USB2513-HZH USB2514-HZH	48QFN	7 x 7 x 0.5 mm	0°C to 70°C
USB2513i-HZH USB2514i-HZH			-40°C to 85°C
USB2517-JZX	64QFN	9 x 9 x 0.5 mm	0°C to 70°C
USB2517i-JZX			-40°C to 85°C

**THIS PRODUCT MEETS THE HALOGEN MAXIMUM CONCENTRATION VALUES PER IEC61249-2-21.
FOR ROHS COMPLIANCE AND ENVIRONMENTAL INFORMATION, PLEASE VISIT WWW.SMSC.COM/ROHS.**

Table of Contents

Chapter 1	USB251x Hub Family Differences Overview	7
Chapter 2	General Description	8
Chapter 3	Acronyms	10
Chapter 4	Block Diagram	11
Chapter 5	Pin Descriptions	12
5.1	Pin Configurations and Lists (Organized by Package Type)	12
5.2	USB251x Pin Descriptions (Grouped by Function)	22
5.3	Buffer Type Descriptions	27
Chapter 6	LED Usage Description	29
6.1	LED Functionality	29
6.1.1	USB Mode 14-Wire	29
6.1.2	LED Mode Speed Indication	29
Chapter 7	Battery Charging Support	31
7.1	General Description	31
7.2	USB Battery Charging	31
7.2.1	Special Behavior of PRTPOWER Pins	31
7.3	Battery Charging Configuration	32
7.3.1	Battery Charging enabled via EEPROM or SMBus	32
Chapter 8	Configuration Options	33
8.1	Hub	33
8.1.1	Hub Configuration Options	33
8.1.2	SMBus or EEPROM Interface	33
8.1.3	VBus Detect	34
8.2	EEPROM Interface	34
8.2.1	Internal Register Set (Common to EEPROM and SMBus)	35
8.2.2	I ² C EEPROM	52
8.2.3	In-Circuit EEPROM Programming	52
8.3	SMBus Slave Interface	53
8.3.1	SMBus Slave Addresses	53
8.3.2	Bus Protocols	53
8.3.3	Invalid Protocol Response Behavior	54
8.3.4	General Call Address Response	54
8.3.5	Slave Device Time-Out	54
8.3.6	Stretching the SCLK Signal	54
8.3.7	SMBus Timing	54
8.3.8	Bus Reset Sequence	54
8.3.9	SMBus Alert Response Address	55
8.4	Default Configuration Option	55
8.5	Default Strapping Options	55
8.6	Strap Options	55
8.6.1	Non-Removable Strap Option	55
8.6.2	Internal Pull-Down (IPD)	56
8.6.3	LED Strap Option	56
8.7	Reset	57

8.7.1	External Hardware RESET_N	57
8.7.2	USB Bus Reset	60
<hr/>		
Chapter 9	DC Parameters	61
9.1	Maximum Guaranteed Ratings	61
9.2	Operating Conditions	61
9.2.1	Package Thermal Specifications	68
<hr/>		
Chapter 10	AC Specifications	69
10.1	Oscillator/Crystal	69
10.2	Ceramic Resonator	70
10.3	External Clock	70
10.3.1	SMBus Interface	70
10.3.2	I ² C EEPROM	70
10.3.3	USB 2.0	70
<hr/>		
Chapter 11	Package Outlines	71
11.1	Tape and Reel Specifications	74

List of Tables

Table 1.1	36-pin QFN (6x6x0.5 mm) RoHS Compliant Part Numbers	7
Table 1.2	48-pin QFN (7x7x0.5 mm) RoHS Compliant Part Numbers	7
Table 1.3	64-pin QFN (9x9x0.5 mm) RoHS Compliant Part Numbers	7
Table 2.1	Summary of Compatibilities between USB251xB/xBi and USB251x/xi/xA/xAi Products	9
Table 5.1	Pin List in Alphabetical Order	18
Table 5.2	USB251x Pin Descriptions	22
Table 5.3	Buffer Type Descriptions	27
Table 8.1	Hub Configuration Options	33
Table 8.2	Internal Default, EEPROM and SMBus Register Memory Map	35
Table 8.3	PortMap Register for Ports 1 & 2	48
Table 8.4	PortMap Register for Ports 3 & 4	49
Table 8.5	PortMap Register for Ports 5 & 6	50
Table 8.6	PortMap Register for Port 7	51
Table 8.7	Summary of Strap Options	55
Table 8.8	Reset_N Timing for Default/Strap Option Mode	58
Table 8.9	Reset_N Timing for EEPROM Mode	58
Table 8.10	Reset_N Timing for SMBus Mode	59
Table 9.1	DC Electrical Characteristics	62
Table 9.2	Supply Current Unconfigured: Hi-Speed Host (ICCINTHS)	63
Table 9.3	Supply Current Unconfigured: Full-Speed Host (ICCINTFS)	64
Table 9.4	Supply Current Configured: Hi-Speed Host (IHCH1)	64
Table 9.5	Supply Current Configured: Full-Speed Host (IFCC1)	65
Table 9.6	USB251x/xi/xA/xAi Supply Current Suspend (ICSBY)	66
Table 9.7	USB251xB/xBi Supply Current Suspend (ICSBY)	66
Table 9.8	USB251x/xi/xA/xAi Supply Current Reset (ICRST)	66
Table 9.9	USB251xB/xBi Supply Current Reset (ICRST)	67
Table 9.10	Pin Capacitance for USB251x, USB251xi, USB251xA, USB251xAi	67
Table 9.11	Pin Capacitance for USB251xB and USB251xBi	67
Table 9.12	Package Thermal Resistance Parameters	68
Table 9.13	Legend	68
Table 10.1	Crystal Circuit Legend	69
Table 11.1		77

List of Figures

Figure 4.1	USB251x Hub Family Block Diagram	11
Figure 5.1	2-Port 36-Pin QFN	12
Figure 5.2	3-Port 36-pin QFN	13
Figure 5.3	4-Port 36-pin QFN	14
Figure 5.4	3-Port 48-Pin QFN	15
Figure 5.5	4-Port 48-Pin QFN	16
Figure 5.6	7-Port 64-Pin QFN	17
Figure 6.1	Dual Color LED Implementation Example	29
Figure 7.1	Battery Charging via External Power Supply	31
Figure 8.1	Block Write	53
Figure 8.2	Block Read	54
Figure 8.3	Non-Removable Pin Strap Example	56
Figure 8.4	Pin Strap Option with IPD Pin Example	56
Figure 8.5	LED Pin Strap Example	56
Figure 8.6	Reset_N Timing for Default/Strap Option Mode	57
Figure 8.7	Reset_N Timing for EEPROM Mode	58
Figure 8.8	Reset_N Timing for SMBus Mode	59
Figure 9.1	Supply Rise Time Model	62
Figure 10.1	Typical Crystal Circuit	69
Figure 10.2	Formula to Find the Value of C1 and C2	69
Figure 10.3	Ceramic Resonator Usage with SMSC IC	70
Figure 11.1	36-Pin QFN, 6x6 mm Body, 0.5 mm Pitch	71
Figure 11.2	48-Pin QFN, 7x7 mm Body, 0.5 mm Pitch	72
Figure 11.3	64-Pin QFN, 9x9 mm Body, 0.5 mm Pitch	73
Figure 11.4	36-Pin Package Tape Specifications	74
Figure 11.5	48-Pin Package Tape Specifications	75
Figure 11.6	36-Pin and 48-Pin Package Reel Specifications	76

Chapter 1 USB251x Hub Family Differences Overview

Table 1.1 36-pin QFN (6x6x0.5 mm) RoHS Compliant Part Numbers

Part Number	Down-stream ports	True Speed	Battery Charging	Lower Power Consumption	LED Port Indicators	Clock (MHz)	0°C to 70°C	0°C to 85°C	-40°C to 85°C
USB2512 USB2512A*	2					24	✓		
USB2512i USB2512Ai*	2					24			✓
USB2512B	2		✓	✓		24		✓	
USB2512Bi	2		✓	✓		24			✓
USB2513	3					24	✓		
USB2513i	3					24			✓
USB2513B	3		✓	✓		24		✓	
USB2513Bi	3		✓	✓		24			✓
USB2514	4					24	✓		
USB2514i	4					24			✓
USB2514B	4		✓	✓		24		✓	
USB2514Bi	4		✓	✓		24			✓

Table 1.2 48-pin QFN (7x7x0.5 mm) RoHS Compliant Part Numbers

Part Number	Down-stream ports	True Speed	Battery Charging	Lower Power Consumption	LED Port Indicators	Clock (MHz)	0°C to 70°C	0°C to 85°C	-40°C to 85°C
USB2513	3	✓			✓	24/48	✓		
USB2513i	3	✓			✓	24/48			✓
USB2514	4	✓			✓	24/48	✓		
USB2514i	4	✓			✓	24/48	✓		✓

Table 1.3 64-pin QFN (9x9x0.5 mm) RoHS Compliant Part Numbers

Part Number	Down-stream ports	True Speed	Battery Charging	Lower Power Consumption	LED Port Indicators	Clock (MHz)	0°C to 70°C	0°C to 85°C	-40°C to 85°C
USB2517	7	✓			✓	24	✓		
USB2517i	7	✓			✓	24			✓

Note 1.1 *USB2512A/Ai only uses a single transaction translator, whereas all other parts use a multi transactions translator.

Chapter 2 General Description

The SMSC USB251x hub family is a group of low-power, OEM configurable, MTT (multi transaction translator)¹ hub controller IC's with downstream ports for embedded USB solutions. The SMSC USB251x hub family is fully compliant with the USB 2.0 specification. Each of the SMSC hub controllers can attach to an upstream port as a full-speed hub or as a full/hi-speed hub. The SMSC hub controllers support low-speed, full-speed, and hi-speed (if operating as a hi-speed hub) downstream devices on all of the enabled downstream ports.

All required resistors on the USB ports are integrated into the hub. This includes all series termination resistors on D+ and D- pins and all required pull-down and pull-up resistors on D+ and D- pins. The over-current sense inputs for the downstream facing ports have internal pull-up resistors.

The USB251x hub family includes programmable features such as:

MultiTRAK™ Technology which utilizes a dedicated TT per port to maintain consistent full-speed data throughput regardless of the number of active downstream connections. MultiTRAK™ outperforms conventional USB 2.0 hubs with a single TT in USB full-speed data transfers.

PortMap which provides flexible port mapping and disable sequences. The downstream ports of a USB251x hub can be reordered or disabled in any sequence to support multiple platform designs with minimum effort. For any port that is disabled, the USB251x hub controllers automatically reorder the remaining ports to match the USB host controller's port numbering scheme.

PortSwap which adds per-port programmability to USB differential-pair pin locations. PortSwap allows direct alignment of USB signals (D+/D-) to connectors to avoid uneven trace length or crossing of the USB differential signals on the PCB.

PHYBoost which enables 4 programmable levels of USB signal drive strength in downstream port transceivers. PHYBoost attempts to restore USB signal integrity.

OEM Selectable Features

A default configuration is available in each of the SMSC USB251x hub controllers following a reset. This configuration may be sufficient for most applications. Strapping option pins make it possible to modify a sub-set of the configuration options.

The USB251x hub controllers may be configured by an external EEPROM or a microcontroller. When using the microcontroller interface, the hub appears as an SMBus slave device. If the hub is pin-strapped for external EEPROM configuration but no external EEPROM is present, then a value of '0' will be written to all configuration data bit fields (the hub will attach to the host with all '0' values).

The USB251x hub family supports OEM selectable features including:

- Optional OEM configuration via I²C EEPROM or via the industry standard SMBus interface from an external SMBus host or microcontroller.
- Supports compound devices on a port-by-port basis.
- Selectable over-current sensing and port power control on an individual or ganged basis to match the OEM's choice of circuit board component selection.
- Customizable vendor ID, product ID, and device ID.
- Configurable delay time for filtering the over-current sense inputs.
- Configurable downstream port power-on time reported to the host.
- Supports indication of the maximum current that the hub consumes from the USB upstream port.
- Supports Indication of the maximum current required for the hub controller.

1.USB2512A/2Ai only uses a single transaction translator.

Datasheet

- Supports custom string descriptors (up to 31 characters):
 - Product string
 - Manufacturer string
 - Serial number string
- When available, pin selectable options for default configuration may include:
 - Downstream ports as non-removable ports
 - Downstream ports as disabled ports
 - Downstream port power control and over-current detection on a ganged or individual basis
 - USB signal drive strength
 - USB differential pair pin location
- For more information, please contact your sales representative to obtain a copy of the latest Battery Charging white paper.
- USB251xB/xBi products are fully footprint compatible with USB251x/xi/xA/xAi products:
 - pin-compatible
 - direct drop-in replacement
 - use the same PCB components
 - USB-IF Compliance by Similarity for ease of use and a complete cost reduction solution
 - PIDs, DIDs, and other register defaults may differ and can be configured to match the OEM's needs. Please see [Table 8.2, "Internal Default, EEPROM and SMBus Register Memory Map"](#) for details.

Table 2.1 Summary of Compatibilities between USB251xB/xBi and USB251x/xi/xA/xAi Products

Part Number	Drop-in Replacement	PACKAGE
USB2512	USB2512B	36QFN
USB2512i	USB2512Bi	
USB2512A	USB2512B	
USB2512Ai	USB2512Bi	
USB2513	USB2513B	
USB2513i	USB2513Bi	
USB2514	USB2514B	
USB2514i	USB2514Bi	

Chapter 3 Acronyms

I²C[®]: Inter-Integrated Circuit¹

OCS: Over-Current Sense

PCB: Printed Circuit Board

PHY: Physical Layer

PLL: Phase-Locked Loop

QFN: Quad Flat No Leads

RoHS: Restriction of Hazardous Substances Directive

SCL: Serial Clock

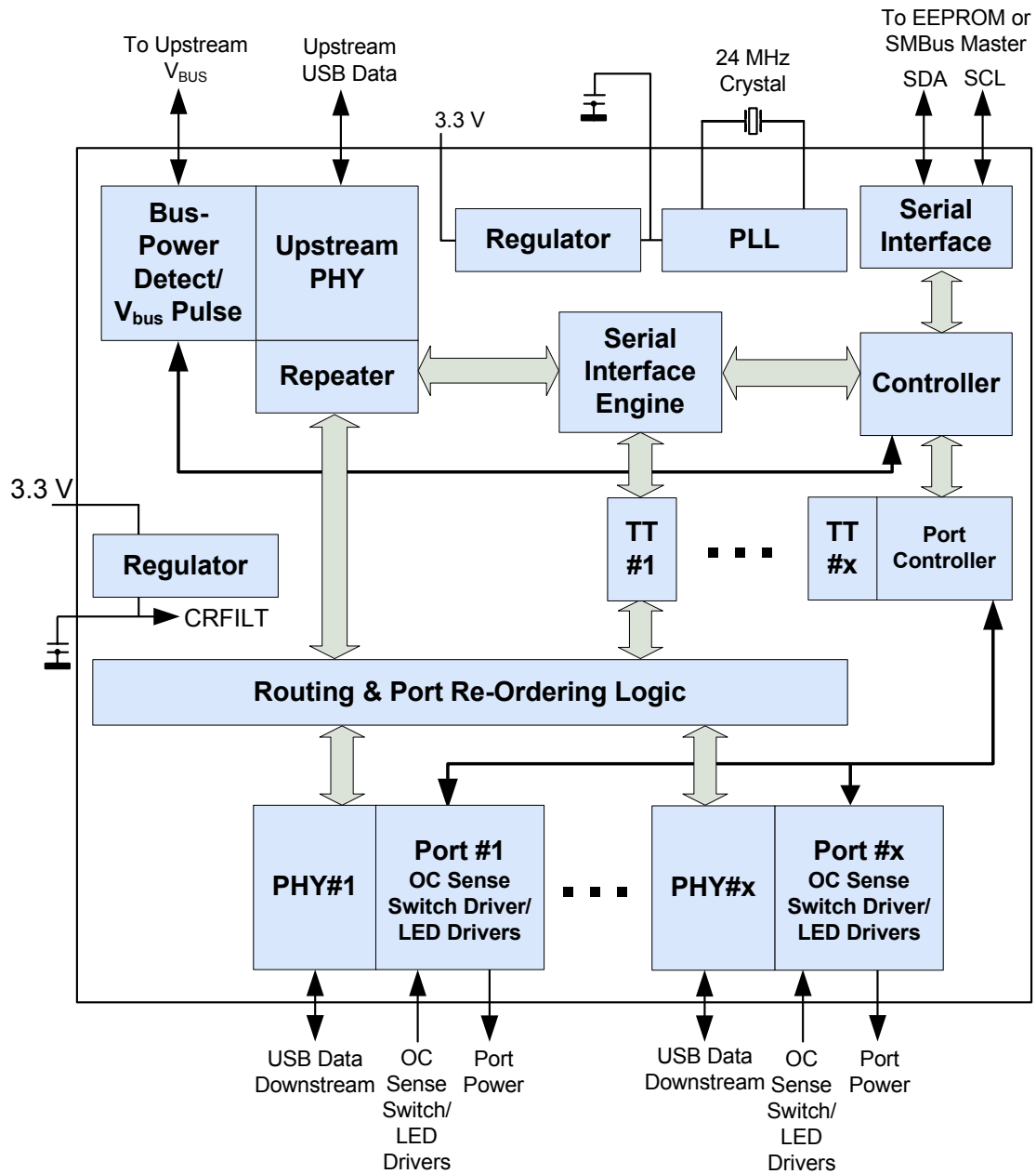
SIE: Serial Interface Engine

SMBus: System Management Bus

TT: Transaction Translator

¹I²C is a registered trademark of Philips Corporation.

Chapter 4 Block Diagram



The 'x' indicates the number of available downstream ports: 2, 3, 4, or 7.

Figure 4.1 USB251x Hub Family Block Diagram

Note 4.1 USB2512A/USB2512Ai only supports a single transaction translator.

Note 4.2 The LED port indicators only apply to USB2513/13i/14/14i (48QFN only) and USB2517/17i.

Chapter 5 Pin Descriptions

This chapter is organized by a set of pin configurations (organized by package type) followed by a corresponding pin list organized alphabetically. A comprehensive and detailed description list of each signal (named in the pin list) is organized by function in [Table 5.2, “USB251x Pin Descriptions,” on page 22](#). Please refer to [Table 5.3, “Buffer Type Descriptions,” on page 27](#) for a list of buffer types.

The “N” symbol in the signal name indicates that the active, or asserted, state occurs when the signal is at a low voltage level. When “N” is not present after the signal name, the signal is asserted when it is at the high voltage level. The terms assertion and negation are used exclusively. This is done to avoid confusion when working with a mixture of “active low” and “active high” signals. The term assert, or assertion, indicates that a signal is active, independent of whether that level is represented by a high or low voltage. The term negate, or negation, indicates that a signal is inactive.

5.1 Pin Configurations and Lists (Organized by Package Type)

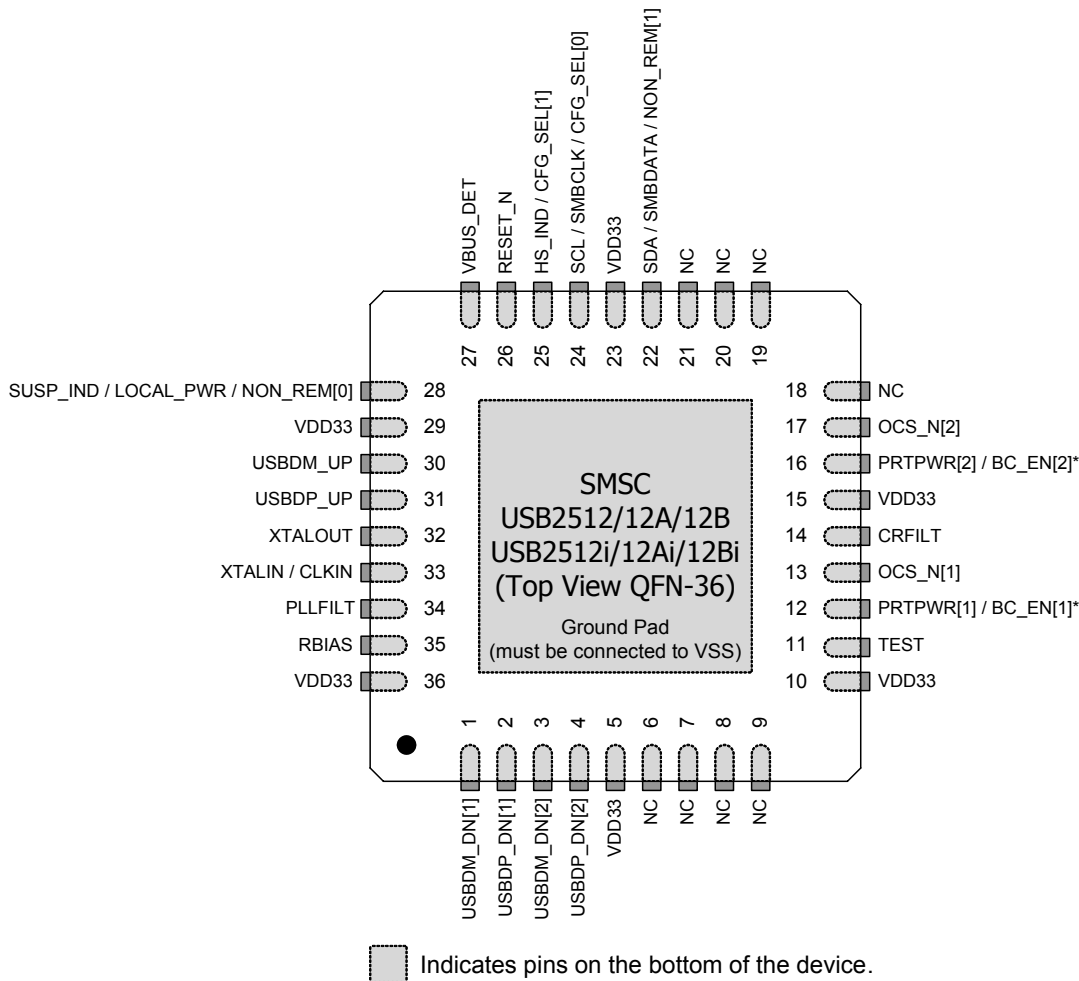


Figure 5.1 2-Port 36-Pin QFN

Note: *Battery charging enable (BC_EN) is only available in the USB251xB/Bi.

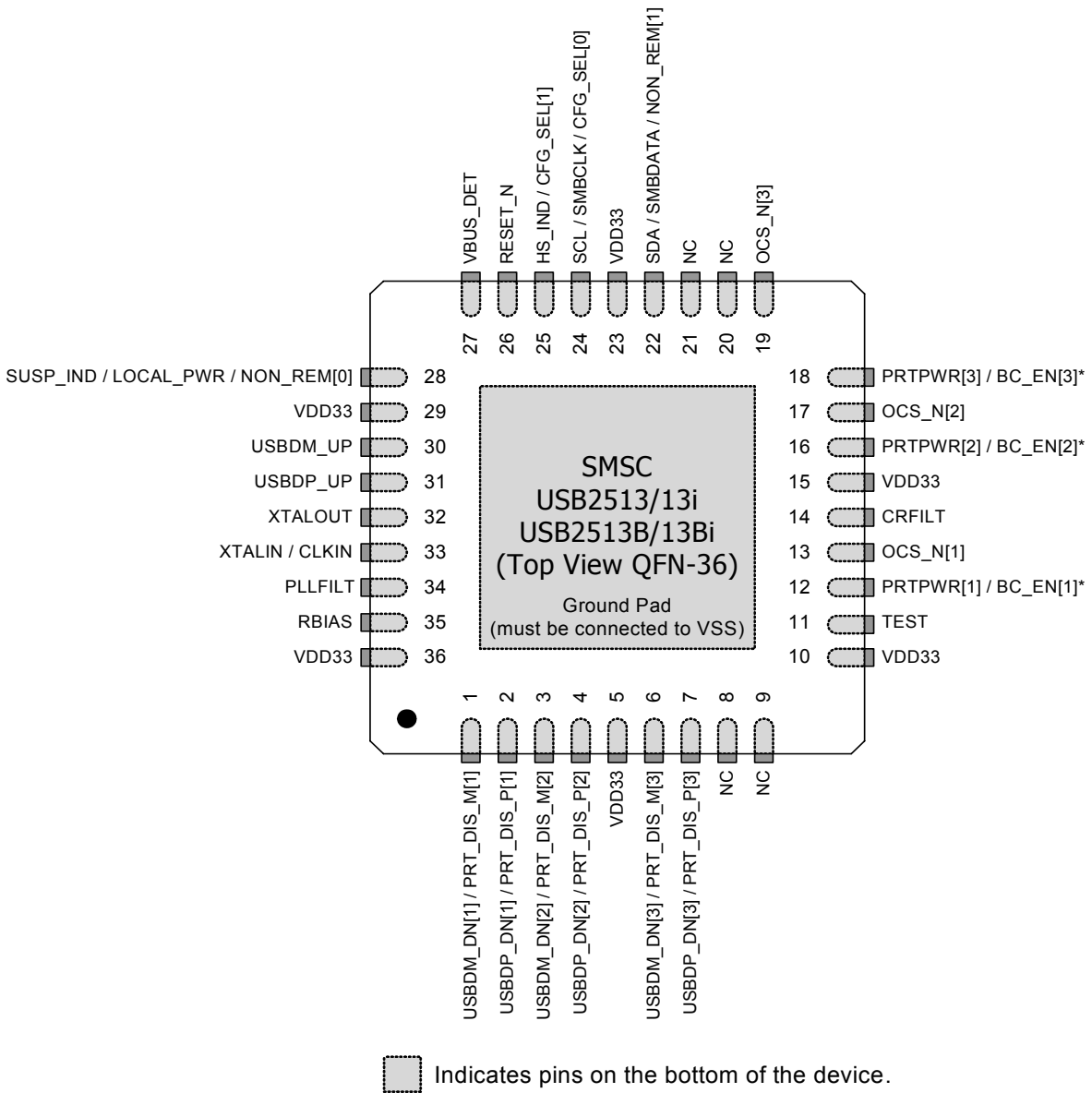
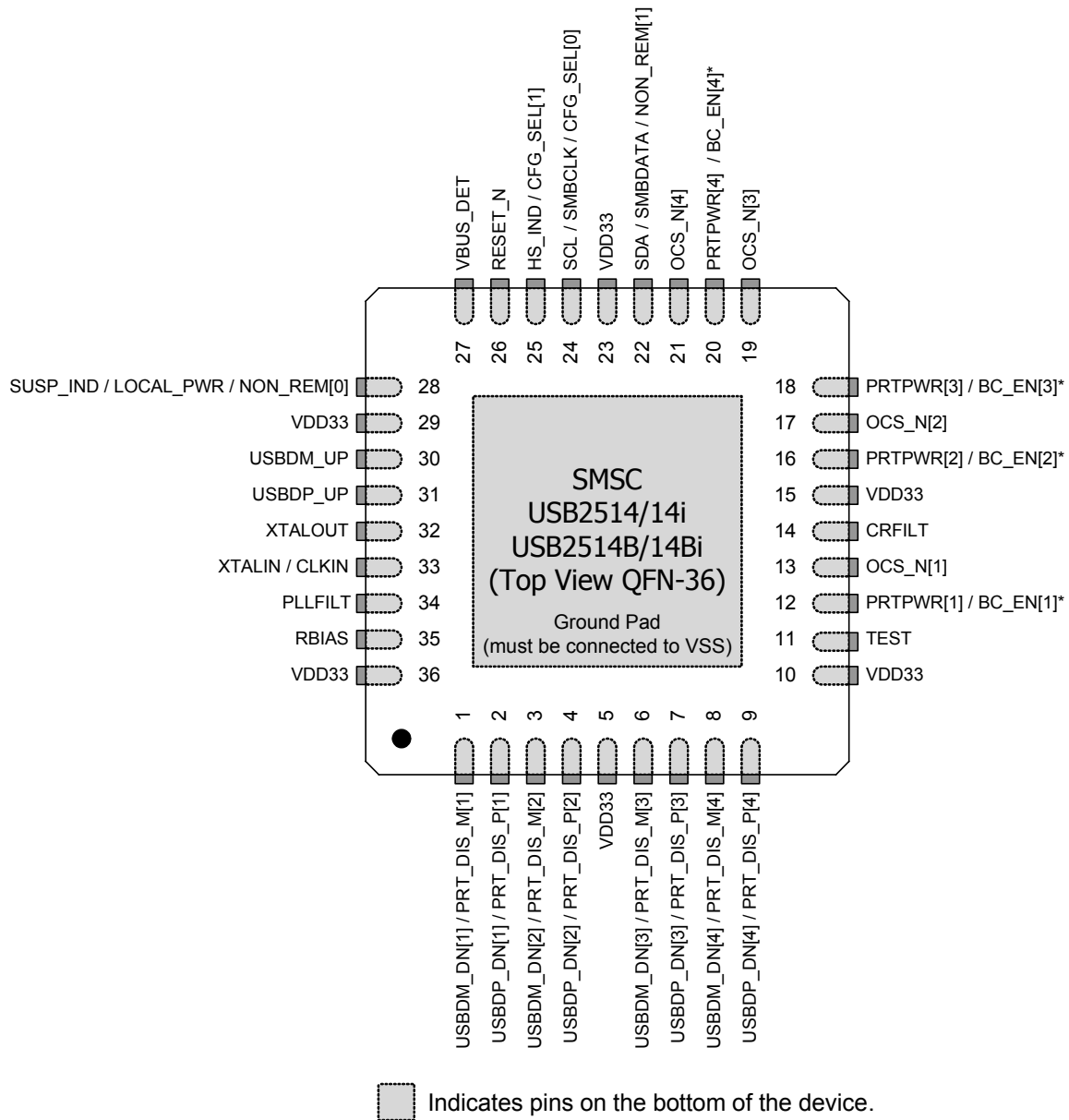


Figure 5.2 3-Port 36-pin QFN

Note: *Battery charging enable (BC_EN) is only available in the USB251xB/Bi.


Figure 5.3 4-Port 36-pin QFN

Note: *Battery charging enable (BC_EN) is only available in the USB251xB/Bi.

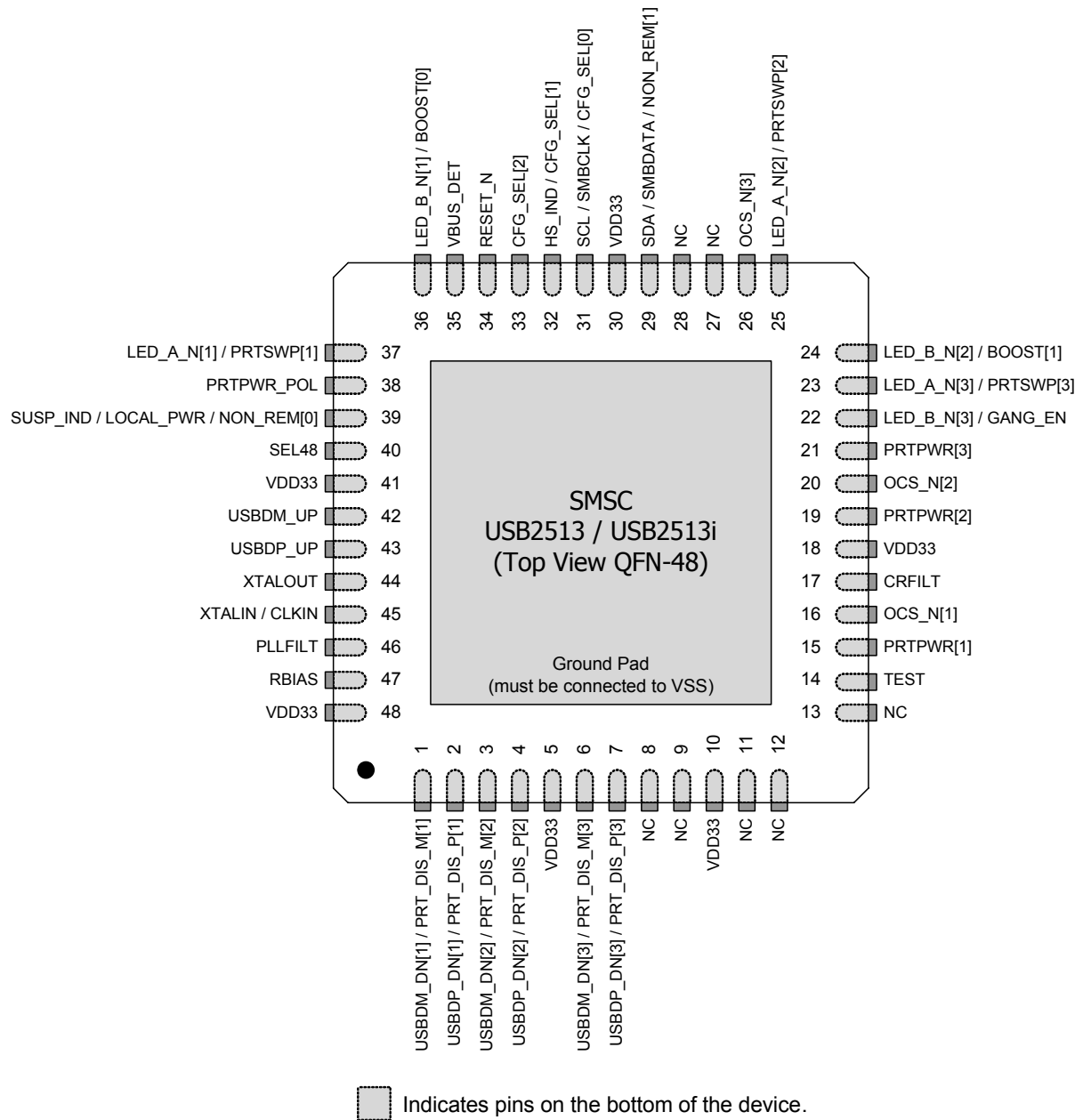
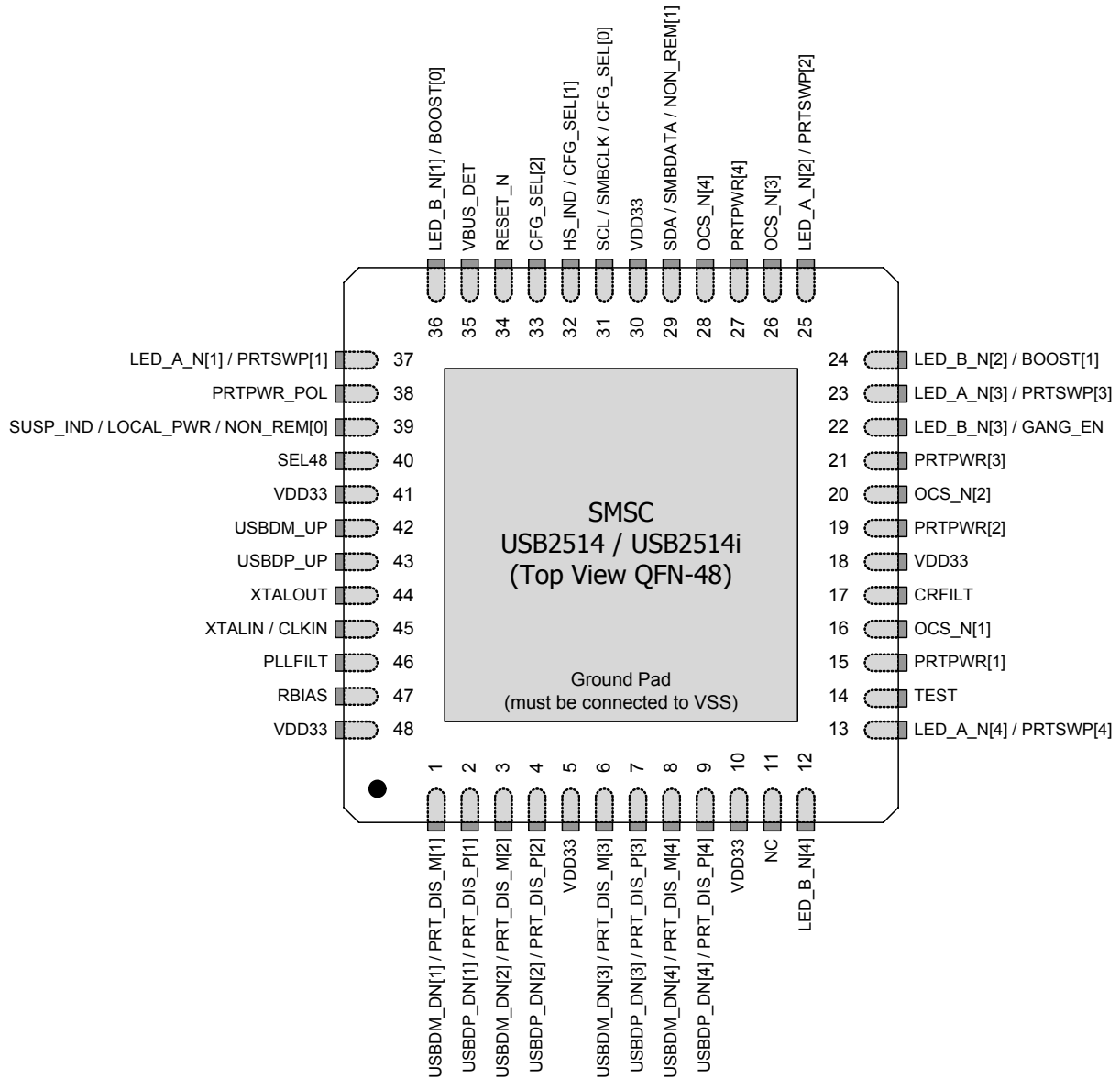


Figure 5.4 3-Port 48-Pin QFN




 Indicates pins on the bottom of the device.

Figure 5.5 4-Port 48-Pin QFN

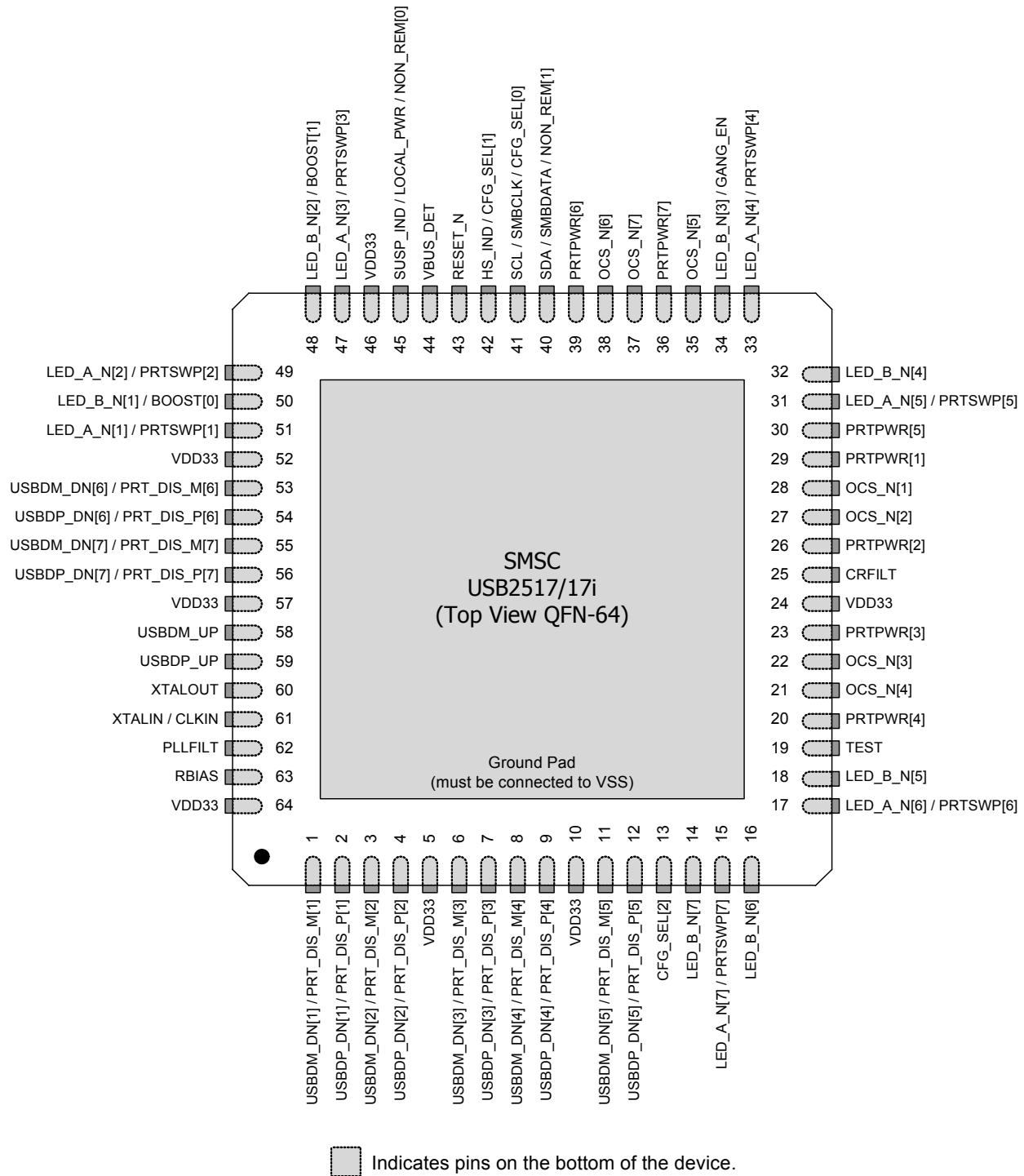


Figure 5.6 7-Port 64-Pin QFN

Table 5.1 Pin List in Alphabetical Order

SYMBOL	NAME	PIN NUMBERS									
		36 QFN						48QFN		64 QFN	
		USB2512 USB2512i USB2512A USB2512Ai	USB2512B USB2512Bi	USB2513 USB2513i	USB2513B USB2513Bi	USB2514 USB2514i	USB2514B USB2514Bi	USB2513 USB22513i	USB2514 USB22514i	USB2517 USB2517i	
BC_EN[1]	Battery Charging Strap Option	-	12	-	12	-	12	-			
BC_EN[2]		-	16	-	16	-	16	-			
BC_EN[3]		-			18	-	18	-			
BC_EN[4]		-					20	-			
BOOST[0]	PHY Boost Strapping Option	-						36	50		
BOOST[1]		-						24	48		
CFG_SEL[0]	Configuration Programming Selection	24						31	41		
CFG_SEL[1]		25						32	42		
CFG_SEL[2]		-						33	13		
CLKIN	External Clock Input	33						45	61		
CRFILT	Core Regulator Filter Capacitor	14						17	25		
GANG_EN	Ganged Port Power Strap Option	-						22	34		
Ground Pad	Exposed Pad Tied to Ground (VSS)	ePad									
HS_IND	Hi-Speed Upstream Port Indicator	25						32	42		
LED_A_N[1]	Port LED Indicator	-						37	51		
LED_A_N[2]		-						25	49		
LED_A_N[3]		-						23	47		
LED_A_N[4]		-						13	33		
LED_A_N[5]		-						31			
LED_A_N[6]		-						17			
LED_A_N[7]		-						15			
LED_B_N[1]	Enhanced Indicator Port LED	-						36	50		
LED_B_N[2]		-						24	48		
LED_B_N[3]		-						22	34		
LED_B_N[4]		-						12	32		
LED_B_N[5]		-						18			
LED_B_N[6]		-						16			
LED_B_N[7]		-						14			
LOCAL_PWR	Local Power Detection	28						39	45		

Table 5.1 Pin List in Alphabetical Order (continued)

SYMBOL	NAME	PIN NUMBERS										
		36 QFN						48QFN		64 QFN		
		USB2512 USB2512i USB2512A USB2512Ai	USB2512B USB2512Bi	USB2513 USB2513i	USB2513B USB2513Bi	USB2514 USB2514i	USB2514B USB2514Bi	USB2513 USB22513i	USB2514 USB22514i	USB2517 USB2517i		
NC	No Connect	6		-				8	11	-		
NC		7		-				9	-			
NC		18		-				11	-			
NC		19		-				12	-			
NC		8			-			13	-			
NC		9			-			27	-			
NC		20			-			28	-			
NC		21			-							
NON_REM[0]	Non-Removable Port Strap Option	28						39		45		
NON_REM[1]		22						29		40		
OCS_N[1]	Over-Current Sense	13						16		28		
OCS_N[2]		17						20		27		
OCS_N[3]		-	19				26		22			
OCS_N[4]		-			21			-	28	21		
OCS_N[5]		-						35				
OCS_N[6]		-						38				
OCS_N[7]		-						37				
PLLFILT		PLL Regulator Filter Capacitor	34						46		62	
PRT_DIS_M[1]	Downstream Port Disable Strap Option	-		1								
PRT_DIS_M[2]		-		3								
PRT_DIS_M[3]		-		6								
PRT_DIS_M[4]		-			8		-	8				
PRT_DIS_M[5]		-						11				
PRT_DIS_M[6]		-						53				
PRT_DIS_M[7]		-						55				
PRT_DIS_P[1]		Port Disable	-		2							
PRT_DIS_P[2]	-		4									
PRT_DIS_P[3]	-		7									
PRT_DIS_P[4]	-			9		-	9					
PRT_DIS_P[5]	-						12					
PRT_DIS_P[6]	-						54					
PRT_DIS_P[7]	-						56					

Table 5.1 Pin List in Alphabetical Order (continued)

SYMBOL	NAME	PIN NUMBERS																	
		36 QFN						48QFN		64 QFN									
		USB2512	USB2512i	USB2512A	USB2512Ai	USB2512B	USB2512Bi	USB2513	USB2513i	USB2513B	USB2513Bi	USB2514	USB2514i	USB2514B	USB2514Bi	USB2513	USB22513i	USB2514	USB22514i
PRTPWR[1]	USB Port Power Enable	12						15		29									
PRTPWR[2]		16						19		26									
PRTPWR[3]		-	18					21		23									
PRTPWR[4]		-	20				-	27		20									
PRTPWR[5]		-								30									
PRTPWR[6]		-								39									
PRTPWR[7]		-								36									
PRTPWR_POL	Port Power Polarity Strapping	-						38		-									
PRTSWP[1]	Port Swap Strapping Option	-						37		51									
PRTSWP[2]		-						25		49									
PRTSWP[3]		-						23		47									
PRTSWP[4]		-						13		33									
PRTSWP[5]		-								31									
PRTSWP[6]		-								17									
PRTSWP[7]		-								15									
RBIAS	USB Transceiver Bias	35						47		63									
RESET_N	Reset Input	26						34		43									
SCL	Serial Clock	24						31		41									
SDA	Serial Data Signal	22						29		40									
SEL48	Select 48 MHz Clock Input	-						40		-									
SMBCLK	System Management Bus Clock	24						31		41									
SMBDATA	Server Message Block Data Signal	22						29		40									
SUSP_IND	Active/Suspend Status Indicator	28						39		45									
TEST	Test Pin	11						14		19									
USBDM_UP	USB Bus Data	30						42		58									
USBDP_UP		31						43		59									

Table 5.1 Pin List in Alphabetical Order (continued)

SYMBOL	NAME	PIN NUMBERS											
		36 QFN						48QFN		64 QFN			
		USB2512 USB2512i USB2512A USB2512Ai	USB2512B USB2512Bi	USB2513 USB2513i	USB2513B USB2513Bi	USB2514 USB2514i	USB2514B USB2514Bi	USB2513 USB22513i	USB2514 USB22514i	USB2517 USB2517i			
USBDM_DN[1]	Hi-Speed USB Data	1											
USBDM_DN[2]		3											
USBDM_DN[3]		-	6										
USBDM_DN[4]		-	8					-	8				
USBDM_DN[5]		-	11										
USBDM_DN[6]		-	53										
USBDM_DN[7]		-	55										
USBDP_DN[1]		2											
USBDP_DN[2]		4											
USBDP_DN[3]		-	7										
USBDP_DN[4]		-	9					-	9				
USBDP_DN[5]		-	12										
USBDP_DN[6]		-	54										
USBDP_DN[7]		-	56										
VBUS_DET	Upstream VBUS Power Detection	27						35		44			
VDD33	3.3 V Power	5											
VDD33		10											
VDD33		15						18		24			
VDD33		23						30		46			
VDD33		29						41		52			
VDD33		36						48		57			
VDD33		64											
XTALIN	Crystal Input	33						45		61			
XTALOUT	Crystal Output	32						44		60			

5.2 USB251x Pin Descriptions (Grouped by Function)

Table 5.2 USB251x Pin Descriptions

SYMBOL	BUFFER TYPE	DESCRIPTION
UPSTREAM USB 2.0 INTERFACES		
USBDM_UP USBDP_UP	IO-U	<p>USB Data</p> <p>These pins connect to the upstream USB bus data signals (host, port, or upstream hub).</p>
VBUS_DET	I/O12	<p>Detect Upstream VBUS Power</p> <p>Detects the state of Upstream VBUS power. The SMSC hub monitors VBUS_DET to determine when to assert the internal D+ pull-up resistor which signals a connect event.</p> <p>When designing a detachable hub, this pin should be connected to VBUS on the upstream port via a 2 to 1 voltage divider.</p> <p>For self-powered applications with a permanently attached host, this pin must be connected to 3.3 V (typically VDD33).</p>
DOWNSTREAM USB 2.0 INTERFACES		
USBDP_DN[x:1]/ PRT_DIS_P[x:1]	IO-U	<p>Hi-Speed USB Data</p> <p>These pins connect to the downstream USB peripheral devices attached to the hub's port. To disable, pull up with a 10 K resistor to 3.3 V.</p>
USBDM_DN[x:1]/ PRT_DIS_M[x:1]		<p>Downstream Port Disable Strap Option</p> <p>If this strap is enabled by package and configuration settings (see Table 8.1, "Hub Configuration Options"), then this pin will be sampled at RESET_N negation to determine if the port is disabled.</p> <p>To disable a port, pull up both PRT_DIS_M[x:1] and PRT_DIS_P[x:1] pins corresponding to the port numbers.</p>
P RTPWR[x:1] /	O12	<p>USB Power Enable</p> <p>Enables power to USB peripheral devices downstream.</p> <p>When P RTPWR_POL pin is unavailable, the hub supports active high power controllers only.</p> <p>When P RTPWR_POL pin is available, the active signal level of the P RTPWR pins is determined by the power polarity strapping function of the P RTPWR_POL pin.</p>
BC_EN[x]	IPD	<p>Battery Charging Strap Option</p> <p>*This feature is only available on USB251xB/Bi.</p> <p>If this strap is enabled by package and configuration settings, (see Table 8.1, "Hub Configuration Options"), this pin will be sampled at RESET_N negation to determine if ports [x:1] support the battery charging protocol (and thus the supporting external port power controllers) that would enable a device to draw the currents per the USB battery charging specification.</p> <p>BC_EN[x] = 1: Battery charging feature is supported for port x</p> <p>BC_EN[x] = 0: Battery charging feature is not supported for port x</p>

Table 5.2 USB251x Pin Descriptions (continued)

SYMBOL	BUFFER TYPE	DESCRIPTION
DOWNSTREAM USB 2.0 INTERFACES (continued)		
LED_A_N[x:1] / PRTSWP[x:1]	I/O12	<p>Port LED Indicators This pin will be active low when LED support is enabled via EEPROM or SMBus.</p> <p>Port Swap Strapping Option If this strap is enabled by package and configuration settings (see Table 8.1, "Hub Configuration Options"), this pin will be sampled at RESET_N negation to determine the electrical connection polarity of the downstream USB port pins (USB_DP and USB_DM). Also, the active state of the LED will be determined as follows: '0' = Port polarity is normal, LED is active high. '1' = Port polarity (USB_DP and USB_DM) is swapped, LED is active low.</p>
LED_B_N[7:4]	I/O12	<p>Enhanced Indicator Port LED for ports 4-7 Enhanced indicator LED for ports 4-7. This pin will be active low when LED support is enabled via EEPROM or SMBus.</p>
LED_B_N[3] / GANG_EN	I/O12	<p>Enhanced Indicator Port LED for port 3 This pin will be active low when LED support is enabled via EEPROM or SMBus.</p> <p>Ganged Power and Over-current strap option This signal selects between ganged or individual port power and over-current sensing. If this strap is enabled by package and configuration settings (see Table 8.1, "Hub Configuration Options"), this pin will be sampled at RESET_N negation to determine the mode as follows: '0' = Individual sensing and switching, LED_B_N[3] is active high. '1' = Ganged sensing and switching, LED_B_N[3] is active low.</p>

Table 5.2 USB251x Pin Descriptions (continued)

SYMBOL	BUFFER TYPE	DESCRIPTION
DOWNSTREAM USB 2.0 INTERFACES (continued)		
LED_B_N[2:1] / BOOST[1:0]	I/O12	<p>Enhanced Indicator Port LED for ports 1 and 2</p> <p>Enhanced indicator LED for ports 1 and 2. This pin will be active low when LED support is enabled via EEPROM or SMBus.</p> <p>If this strap option is enabled by package and configuration settings (see Table 8.1, "Hub Configuration Options"), this pin will be sampled at RESET_N negation to determine if all PHY ports (upstream and downstream) operate at a normal or boosted electrical level. Also, the active state of the LEDs will be determined as follows:</p> <p>See Section 8.2.1.27, "Register F6h: Boost_Up," on page 45 and Section 8.2.1.29, "Register F8h: Boost_4:0," on page 46 for more information.</p> <p>BOOST[1:0] = BOOST_IOUT[1:0]</p> <p>BOOST[1:0] = '00', LED_B_N[2] is active high, LED_B_N[1] is active high.</p> <p>BOOST[1:0] = '01', LED_B_N[2] is active high, LED_B_N[1] is active low.</p> <p>BOOST[1:0] = '10', LED_B_N[2] is active low, LED_B_N[1] is active high.</p> <p>BOOST[1:0] = '11', LED_B_N[2] is active low, LED_B_N[1] is active low.</p>
PRTPWR_POL	IPU	<p>Port Power Polarity Strapping</p> <p>Port Power Polarity strapping determination for the active signal polarity of the [x:1]PRTPWR pins.</p> <p>While RESET_N is asserted, the logic state of this pin will (through the use of internal combinatorial logic) determine the active state of the PRTPWR pins in order to ensure that downstream port power is not inadvertently enabled to inactive ports during a hardware reset.</p> <p>When RESET_N is negated, the logic value will be latched internally, and will retain the active signal polarity for the PRTPWR[x:1] pins.</p> <p>'1' = PRTPWR[x:1]_P/N pins have an active 'high' polarity '0' = PRTPWR[x:1]_P/N pins have an active 'low' polarity</p> <p>Warning: Active low port power controllers may glitch the downstream port power when the system power is first applied. Care should be taken when designing with active low components.</p> <p>When PRTPWR_POL is not an available pin on the package, the hub will only support active high power controllers.</p>
OCS_N[x:1]	IPU	<p>Over-Current Sense</p> <p>Input from external current monitor indicating an over-current condition.</p>
RBIAS	I-R	<p>USB Transceiver Bias</p> <p>A 12.0 kΩ (+/- 1%) resistor is attached from ground to this pin to set the transceiver's internal bias settings.</p>

Table 5.2 USB251x Pin Descriptions (continued)

SYMBOL	BUFFER TYPE	DESCRIPTION
SERIAL PORT INTERFACES		
SDA / SMBDATA / NON_REM[1]	I/OSD12	Serial Data signal (SDA) Server Message Block Data signal (SMBDATA) Non-removable Port Strap Option If this strap is enabled by package and configuration settings (see Table 8.1), this pin will be sampled (in conjunction with LOCAL_PWR / SUSP_IND / NON_REM[0]) at RESET_N negation to determine if ports [7:1] contain permanently attached (non-removable) devices: NON_REM[1:0] = '00', All ports are removable. NON_REM[1:0] = '01', Port 1 is non-removable. NON_REM[1:0] = '10', Ports 1 & 2 are non-removable. NON_REM[1:0] = '11', When available, ports 1 2 & 3 are non-removable.
RESET_N	IS	RESET Input The system can reset the chip by driving this input low. The minimum active low pulse is 1 μ s.
SCL / SMBCLK / CFG_SEL[0]	I/OSD12	Serial Clock (SCL) System Management Bus Clock (SMBCLK) Configuration Select: The logic state of this multifunction pin is internally latched on the rising edge of RESET_N (RESET_N negation), and will determine the hub configuration method as described in Table 8.1, "Hub Configuration Options" .
HS_IND / CFG_SEL[1]	I/O12	Hi-Speed Upstream Port Indicator HS_IND: Hi-speed Indicator for upstream port connection speed. The active state of the LED will be determined as follows: CFG_SEL[1] = '0', HS_IND is active high, CFG_SEL[1] = '1', HS_IND is active low, 'Asserted' = the hub is connected at HS 'Negated' = the hub is connected at FS Configuration Programming Select CFG_SEL[1]: The logic state of this pin is internally latched on the rising edge of RESET_N (RESET_N negation), and will determine the hub configuration method as described in Table 8.1, "Hub Configuration Options" .
CFG_SEL[2]	I	Configuration Programming Select The logic state of this pin is internally latched on the rising edge of RESET_N (RESET_N negation), and will determine the hub configuration method as described in Table 8.1, "Hub Configuration Options" . When the CFG_SEL[2] pin is unavailable, then the logic is internally tied to '0'.

Table 5.2 USB251x Pin Descriptions (continued)

SYMBOL	BUFFER TYPE	DESCRIPTION
MISC		
XTALIN	ICLKx	Crystal Input 24 MHz crystal This pin connects to either one terminal of the crystal or to an external 24 MHz clock when a crystal is not used.
CLKIN		External Clock Input This pin connects to either one terminal of the crystal or to an external 24 MHz clock when a crystal is not used.
XTALOUT	OCLKx	Crystal Output 24 MHz crystal This is the other terminal of the crystal, or a no connect pin, when an external clock source is used to drive XTALIN/CLKIN.
SUSP_IND /	I/O	Active/Suspend status LED Suspend Indicator: Indicates USB state of the hub. 'negated' = Unconfigured, or configured and in USB Suspend 'asserted' = the hub is configured, and is active (i.e., not in suspend)
LOCAL_PWR /		Local Power: Detects availability of local self-power source. Low = Self/local power source is NOT available (i.e., the hub gets all power from Upstream USB VBus). High = Self/local power source is available.
NON_REM[0]		NON_REM[0] Strap Option: If this strap is enabled by package and configuration settings (see Table 8.1, "Hub Configuration Options"), this pin will be sampled (in conjunction with NON_REM[1]) at RESET_N negation to determine if ports [x:1] contain permanently attached (non-removable) devices. Also, the active state of the LED will be determined as follows: NON_REM[1:0] = '00', All ports are removable, and the LED is active high NON_REM[1:0] = '01', Port 1 is non-removable, and the LED is active low NON_REM[1:0] = '10', Ports 1 & 2 are non-removable, and the LED is active high NON_REM[1:0] = '11', When available, ports 1, 2 & 3 are non-removable, and the LED is active low
TEST	IPD	TEST pin User must treat as a no connect pin or connect to ground. No trace or signal should be routed or attached to this pin.

Table 5.2 USB251x Pin Descriptions (continued)

SYMBOL	BUFFER TYPE	DESCRIPTION
SEL48	I	48 MHz Clock Input Selection 48 MHz external input clock select. When the hub is clocked from an external clock source, this pin selects either 24 MHz or 48 MHz mode. '0' = 24 MHz '1' = 48 MHz
POWER, GROUND, and NO CONNECTS		
CRFILT		VDD Core Regulator Filter Capacitor This pin must have a 1.0 μ F (or greater) \pm 20% (ESR <0.1 Ω) capacitor to VSS.
VDD33		3.3 V Power
PLLFILT		PLL Regulator Filter Capacitor This pin must have a 1.0 μ F (or greater) \pm 20% (ESR <0.1 Ω) capacitor to VSS.
VSS		Ground Pad / ePad The package slug is the only VSS for the device and must be tied to ground with multiple vias.
NC		No Connect No signal or trace should be routed or attached to these pins.

5.3 Buffer Type Descriptions

Table 5.3 Buffer Type Descriptions

BUFFER	DESCRIPTION
I	Input.
I/O	Input/Output.
IPD	Input with internal weak pull-down resistor.
IPU	Input with internal weak pull-up resistor.
IS	Input with Schmitt trigger.
O12	Output 12 mA.

Table 5.3 Buffer Type Descriptions (continued)

BUFFER	DESCRIPTION
I/O12	Input/Output buffer with 12 mA sink and 12 mA source.
I/OSD12	Open drain with Schmitt trigger and 12 mA sink. Meets the I ² C-Bus specification, version 2.1, requirements.
ICLKx	XTAL clock input.
OCLKx	XTAL clock output.
I-R	RBIAS.
I/O-U	Analog Input/Output defined in USB specification.

Chapter 6 LED Usage Description

6.1 LED Functionality

USB2513 and USB2514 (48-pin QFN only) and USB2517/17i SMSC hubs support two different (mutually exclusive) LED modes. The 'x' represents the number of downstream ports. The USB mode provides up to 14 LED's that conform to the USB 2.0 specification functional requirements for Green and Amber LED's. The LED mode "speed indicator" provides the downstream device connection speed.

6.1.1 USB Mode 14-Wire

The LED_A_N[x:1] pins are used to provide Green LED support as defined in the USB 2.0 specification. The LED_B_N[x:1] pins are used to provide Amber LED support as defined in the USB 2.0 specification. The USB specification defines the LED's as port status indicators for the downstream ports. Please note that no indication of port speed is possible in this mode. The pins are utilized as follows:

LED_A_N[x:1] = Port [x:1] green LED

LED_B_N[x:1] = Port [x:1] amber LED

6.1.2 LED Mode Speed Indication

The LED_A[x:1]_N pins are used to provide connection status as well as port speed by using dual color LED's. This scheme requires that the LED's be in the same package, and that a third color is produced so that the user perceives both LED's as being driven "simultaneously".

The LED_A[x:1] pins used in this mode are connected to x number of dual color LED's (each LED pair in a single package). These pins indicate the USB speed of each attached downstream device.

Each dual color LED provides two separate colors (commonly Green and Red). If each of these separate colors are pulsed on and off at a rapid rate, a user will see a third color (in this example, Orange). Using this method, 4 different "color" states are possible (Green, Red, Orange, and Off).

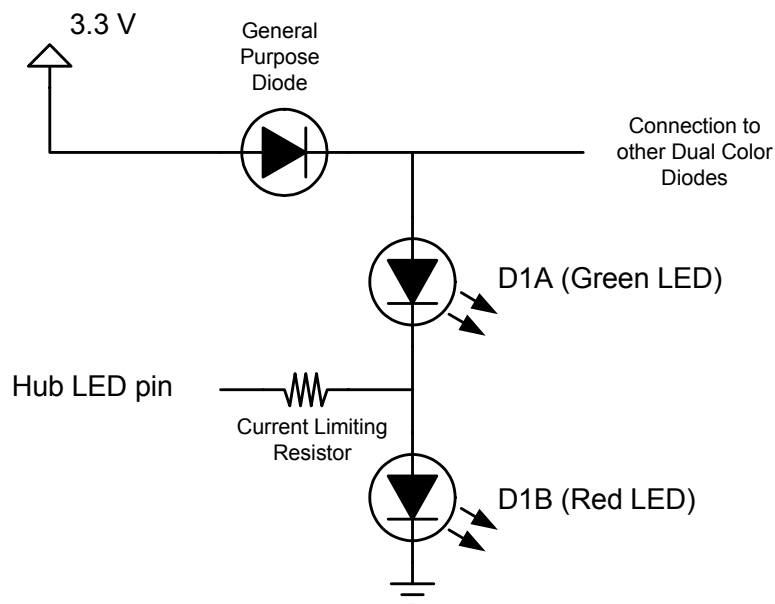


Figure 6.1 Dual Color LED Implementation Example

Figure 6.1 shows a simple example of how this LED circuit will be implemented. The circuit should be replicated for each of the x LED pins on the SMSC hub. In this circuit, when the LED pin is driven to a logic low state, the Green LED will light up. When the LED pin is driven to a Logic High state the Red LED will light up. When a 1 KHz square wave is driven out on the LED pin, the Green and Red LED's will both alternately light up giving the effect of the color Orange. When nothing is driven out on the LED pin (i.e. the pin floats to a "tri-state" condition), neither the Green nor Red LED will light up, this is the "Off" state.

The assignment is as follows:

LED_A_N[x:1] = LED D[x:1] (Downstream Port [x:1])

The usage is as follows:

LED_A_N[x] Driven to Logic Low = LS device attached (Green LED)

LED_A_N[x] Driven to Logic High = FS device attached (Red LED)

LED_A_N[x] Pulsed @ 1 KHz = HS device attached (Orange color by pulsing Red & Green).

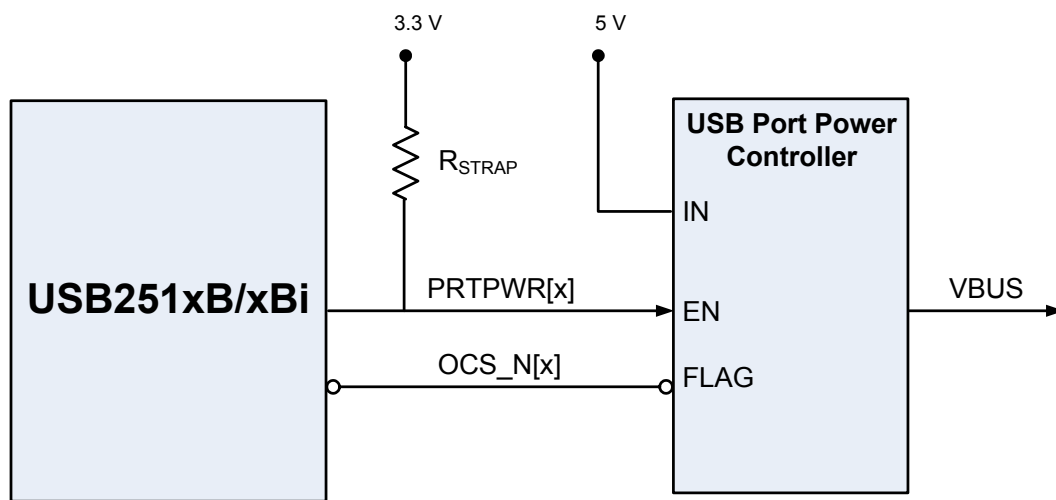
LED_A_N[x] is tri-state= No devices are attached, or the hub is in suspend, LED's are off.

Chapter 7 Battery Charging Support

7.1 General Description

The battery charging feature is only available in USB251xB (which represents USB2512B/3B/4B and USB2512Bi/3Bi/4Bi hub family products). Any one or combination of downstream ports on the USB251xB hub can be configured to support battery charging.

The SMSC hub provides support for battery charging devices on a per port basis in compliance with the USB Battery Charging specification, version 1.1. The hub can be configured to individually enable each downstream port for battery charging support either via pin strapping as illustrated in [Figure 7.1](#) or by setting the corresponding configuration bits via EEPROM or SMBus.



Note: R_{STRAP} enables battery charging.

Figure 7.1 Battery Charging via External Power Supply

7.2 USB Battery Charging

A downstream port enabled for battery charging turns on port power as soon as the configuration process has completed. The hub does not need to be enumerated nor does VBUS_DET need to be asserted for the port power to be enabled. These conditions allow battery charging in S3, S4 and S5 system power states as well as in the fully operational state. The USB Battery Charging specification does not interfere with standard USB operation, which allows a device to perform battery charging at any time.

A port that supports battery charging must be able to support 1.5 amps of current on VBUS. Standard USB port power controllers typically only allow for 0.8 amps of current before detecting an over-current condition. Therefore, the 5 volt power supply, port power controller or over-current protection devices must be chosen to handle the larger current demand compared to standard USB hub designs.

7.2.1 Special Behavior of P RTPWR Pins

The SMSC hub enables VBUS by asserting the port power (P RTPWR) pin as soon as the hardware configuration process has completed. If the port detects an over-current condition, P RTPWR will be turned off to protect the circuitry from overloading. If an over-current condition is detected when the hub is not enumerated, P RTPWR can only be turned on from the host or if RESET_N is toggled. These

behaviors provide battery charging even when the hub is not enumerated and protect the hub from sustained short circuit conditions. If the short circuit condition persists when the hub is plugged into a host system the user is notified that a port has an over-current condition. Otherwise the P RTPWR is turned on by the host system and the port operates normally.

7.3 Battery Charging Configuration

Configuration of ports to support battery charging is done through a strap option on the corresponding ports P RTPWR[x] / BC_EN[x] pin. see [Chapter 5, Pin Descriptions](#), or through EEPROM or SMBus configuration load.

7.3.1 Battery Charging enabled via EEPROM or SMBus

Register memory map location 0xD0 is allocated for battery charging support. The "Battery Charging" register at location 0xD0 starting from Bit 1 enables battery charging for each downstream port when asserted. Bit 1 represents port 1 and so on. Each port with battery charging enabled asserts the corresponding P RTPWR[x:0] pin.

Chapter 8 Configuration Options

8.1 Hub

SMSC's USB 2.0 hub is fully specification compliant to the Universal Serial Bus specification, version 2.0, April 27, 2000 (12/7/2000 and 5/28/2002 Errata). Please reference Chapter 10 (Hub specification) for general details regarding hub operation and functionality.

The hub provides 1 Transaction Translator (TT) that is shared by both downstream ports (defined as Single-TT configuration), The TT contains 4 non-periodic buffers.

8.1.1 Hub Configuration Options

The SMSC hub supports a large number of features (some are mutually exclusive), and must be configured in order to correctly function when attached to a USB host controller. There are three principal ways to configure the hub: SMBus, EEPROM, or by internal default settings (with or without configuration option over-rides). In all cases, the configuration method will be determined by the CFG_SEL[2], CFG_SEL[1] and CFG_SEL[0] pins immediately after RESET_N negation. Please refer to [Table 8.1, "Hub Configuration Options"](#) for more information.

8.1.2 SMBus or EEPROM Interface

Table 8.1 Hub Configuration Options

CFG_SEL[2]	CFG_SEL[1]	CFG_SEL[0]	DESCRIPTION
0	0	0	Internal Default Configuration without any over-rides <ul style="list-style-type: none"> ■ Strap options enabled ■ Self-powered operation enabled ■ LED mode = Speed (when available on package) ■ Individual power switching ■ Individual over-current sensing
0	0	1	Configured as an SMBus slave for external download of user-defined descriptors <ul style="list-style-type: none"> ■ Strap options disabled ■ All settings are controlled by registers as set by the user
0	1	0	Internal Default Configuration <ul style="list-style-type: none"> ■ Strap options enabled ■ Bus-powered operation ■ LED mode = USB (when available on package) ■ Individual power switching ■ Individual over-current sensing
0	1	1	2-Wire I ² C EEPROMS are supported <ul style="list-style-type: none"> ■ Strap options disabled ■ All settings are controlled by registers as set by the user

Table 8.1 Hub Configuration Options (continued)

CFG_SEL[2]	CFG_SEL[1]	CFG_SEL[0]	DESCRIPTION
1	0	0	Internal Default Configuration with the following over-rides <ul style="list-style-type: none"> ■ Dynamic power-switching enabled ■ Strap options disabled ■ LED mode = Speed (when available on package) ■ Individual power switching ■ Individual over-current sensing
1	0	1	Internal Default Configuration with the following over-rides <ul style="list-style-type: none"> ■ Dynamic power-switching enabled ■ Strap options disabled ■ LED mode = USB (when available on package) ■ Individual power switching ■ Individual over-current sensing
1	1	0	Internal Default Configuration with the following over-rides <ul style="list-style-type: none"> ■ Strap options disabled ■ LED mode = Speed (when available on package) ■ Individual power switching ■ Individual over-current sensing
1	1	1	Internal Default Configuration with the following over-rides <ul style="list-style-type: none"> ■ Strap options disabled ■ LED mode = USB (when available on package) ■ Ganged port power switching ■ Ganged over-current sensing

Note: When the CFG_SEL[2] pin is unavailable, then the logic is internally tied to '0'.

8.1.2.1 Power Switching Polarity

When the PRTPWR_POL pin is unavailable (3 and 4 port, 48-pin packages only), the hub only supports "active high" port power controllers.

8.1.3 VBus Detect

According to Section 7.2.1 of the USB 2.0 specification, a downstream port can never provide power to its D+ or D- pull-up resistors unless the upstream port's VBUS is in the asserted (powered) state. The VBUS_DET pin on the hub monitors the state of the upstream VBUS signal and will not pull-up the D+ resistor if VBUS is not active. If VBUS goes from an active to an inactive state (Not Powered), the hub will remove power from the D+ pull-up resistor within 10 seconds.

8.2 EEPROM Interface

The SMSC hub can be configured via a 2-wire (I²C) EEPROM (256x8). (Please see [Table 8.1, "Hub Configuration Options"](#) for specific details on how to enable configuration via an I²C EEPROM).

The internal state-machine will (when configured for EEPROM support) read the external EEPROM for configuration data. The hub will then "attach" to the upstream USB host.

Note: The hub does not have the capacity to write, or "Program," an external EEPROM. The hub only has the capability to read external EEPROMs. The external eeprom will be read (even if it is blank or non-populated), and the hub will be "configured" with the values that are read.

Datasheet

Please see the Internal Register Set (Common to EEPROM and SMBus) for a list of the available data fields. Please visit www.smsc.com/ftpdocs/usb.html to locate the configuration utility for the hub EEPROM data. Select the “e2prommap.msi” link to download the tool.

Each register has R/W capability. SMBUS and EEPROM Reset Values are 0x00. Reserved registers should be written to ‘0’ unless otherwise specified. Contents read should be ignored (such as the case of ‘R’ in the table below).

8.2.1 Internal Register Set (Common to EEPROM and SMBus)

Table 8.2 Internal Default, EEPROM and SMBus Register Memory Map

ADDRESS	REGISTER NAME	DEFAULT ROM VALUES (HEXIDECIMAL)							
		USB2512/12i	USB2512A/12Ai	USB2513/13i	USB2514/14i	USB2512B/12Bi	USB2513B/13Bi	USB2514B/14Bi	USB2517/17i
00h	Vendor ID LSB	24							
01h	Vendor ID MSB	04							
02h	Product ID LSB	12	13	14	12	13	14	17	
03h	Product ID MSB	25							
04h	Device ID LSB	00	A0	00	A0	00			
05h	Device ID MSB	00	0A	00	0B	00			
06h	Configuration Data Byte 1	8B		9B					
07h	Configuration Data Byte 2	20							
08h	Configuration Data Byte 3	02							
09h	Non-Removable Devices	00							
0Ah	Port Disable (Self)	08	00						
0Bh	Port Disable (Bus)	08	00						
0Ch	Max Power (Self)	01							
0Dh	Max Power (Bus)	32							
0Eh	Hub Controller Max Current (Self)	01							
0Fh	Hub Controller Max Current (Bus)	32							
10h	Power-on Time	32							
11h	Language ID High	00							
12h	Language ID Low	R	00						
13h	Manufacturer String Length	R	00						
14h	Product String Length	R	00						
15h	Serial String Length	R	00						
16h-53h	Manufacturer String	R	00						

Table 8.2 Internal Default, EEPROM and SMBus Register Memory Map (continued)

ADDRESS	REGISTER NAME	DEFAULT ROM VALUES (HEXIDECIMAL)							
		USB2512/12i	USB2512A/12Ai	USB2513/13i	USB2514/14i	USB2512B/12Bi	USB2513B/13Bi	USB2514B/14Bi	USB2517/17i
54h-91h	Product String	R	00						
92h-CFh	Serial String	R	00						
D0h	Battery Charging Enable	R			00				
E0h	Reserved	00						R	
F5h	Reserved	00			R	00			
F6h	Boost_Up	00							
F7h	Boost_7:5	00			R	00			
F8h	Boost_x:0	00							
F9h	Reserved	00							
FAh	Port Swap	00							
FBh	Port Map 12	00							
FCh	Port Map 34	R	00	R	00				
FDh	Port Map 56	R						00	
FEh	Port Map 7	R						00	
FFh	Status/Command Note: SMBus register only	00							

8.2.1.1 Register 00h: Vendor ID (LSB)

BIT NUMBER	BIT NAME	DESCRIPTION
7:0	VID_LSB	Least Significant Byte of the Vendor ID. This is a 16-bit value that uniquely identifies the Vendor of the user device (assigned by USB-Interface Forum). This field is set by the OEM using either the SMBus or EEPROM interface options.

8.2.1.2 Register 01h: Vendor ID (MSB)

BIT NUMBER	BIT NAME	DESCRIPTION
7:0	VID_MSB	Most Significant Byte of the Vendor ID. This is a 16-bit value that uniquely identifies the Vendor of the user device (assigned by USB-Interface Forum). This field is set by the OEM using either the SMBus or EEPROM interface options.

Datasheet

8.2.1.3 Register 02h: Product ID (LSB)

BIT NUMBER	BIT NAME	DESCRIPTION
7:0	PID_LSB	Least Significant Byte of the Product ID. This is a 16-bit value that the Vendor can assign that uniquely identifies this particular product (assigned by OEM). This field is set by the OEM using either the SMBus or EEPROM interface options.

8.2.1.4 Register 03h: Product ID (MSB)

BIT NUMBER	BIT NAME	DESCRIPTION
7:0	PID_MSB	Most Significant Byte of the Product ID. This is a 16-bit value that the Vendor can assign that uniquely identifies this particular product (assigned by OEM). This field is set by the OEM using either the SMBus or EEPROM interface options.

8.2.1.5 Register 04h: Device ID (LSB)

BIT NUMBER	BIT NAME	DESCRIPTION
7:0	DID_LSB	Least Significant Byte of the Device ID. This is a 16-bit device release number in BCD format (assigned by OEM). This field is set by the OEM using either the SMBus or EEPROM interface options.

8.2.1.6 Register 05h: Device ID (MSB)

BIT NUMBER	BIT NAME	DESCRIPTION
7:0	DID_MSB	Most Significant Byte of the Device ID. This is a 16-bit device release number in BCD format (assigned by OEM). This field is set by the OEM using either the SMBus or EEPROM interface options.

8.2.1.7 Register 06h: CONFIG_BYTE_1

BIT NUMBER	BIT NAME	DESCRIPTION
7	SELF_BUS_PWR	<p>Self or Bus Power: Selects between Self- and Bus-Powered operation.</p> <p>The hub is either self-powered (draws less than 2 mA of upstream bus power) or bus-powered (limited to a 100 mA maximum of upstream power prior to being configured by the host controller).</p> <p>When configured as a bus-powered device, the SMSC hub consumes less than 100 mA of current prior to being configured. After configuration, the bus-powered SMSC hub (along with all associated hub circuitry, any embedded devices if part of a compound device, and 100 mA per externally available downstream port) must consume no more than 500 mA of upstream VBUS current. The current consumption is system dependent, and the OEM must ensure that the USB 2.0 specifications are not violated.</p> <p>When configured as a self-powered device, <1 mA of upstream VBUS current is consumed and all ports are available, with each port being capable of sourcing 500 mA of current.</p> <p>This field is set by the OEM using either the SMBus or EEPROM interface options.</p> <p>Please see the description under dynamic power for the self-/bus- power functionality when dynamic power switching is enabled.</p> <p>'0' = Bus-powered operation '1' = Self-powered operation</p> <p>If dynamic power switching is enabled, this bit is ignored and the LOCAL_PWR pin is used to determine if the hub is operating from self or bus power.</p>
6	Reserved	Reserved
5	HS_DISABLE	<p>Hi-speed Disable: Disables the capability to attach as either a Hi-/Full-Speed device, and forces attachment as Full-Speed only (i.e. no Hi-Speed support).</p> <p>'0' = Hi-/Full-speed '1' = Full-speed-Only (Hi-speed disabled!)</p>
4	MTT_ENABLE	<p>Multi-TT enable: Enables one transaction translator per port operation.</p> <p>(Not available on the USB2512A/12Ai.)</p> <p>Selects between a mode where only one transaction translator is available for all ports (Single-TT), or each port gets a dedicated transaction translator (Multi-TT).</p> <p>'0' = Single TT for all ports '1' = One TT per port (when multiple TT's are supported)</p>
3	EOP_DISABLE	<p>EOP Disable: Disables EOP generation at EOF1 when in Full-Speed mode. During FS operation only, this permits the hub to send EOP if no downstream traffic is detected at EOF1. See Section 11.3.1 of the USB 2.0 specification for additional details.</p> <p>'0' = EOP generation is normal '1' = EOP generation is disabled</p>

Datasheet

BIT NUMBER	BIT NAME	DESCRIPTION
2:1	CURRENT_SNS	<p>Over-Current Sense: Selects current sensing on a port-by-port basis, all ports ganged, or none (only for bus-powered hubs). The ability to support current sensing on a port or ganged basis is hardware implementation dependent.</p> <p>'00' = Ganged sensing (all ports together) '01' = Individual (port-by-port) '1x' = Over-current sensing not supported (must only be used with bus-powered configurations!)</p>
0	PORT_PWR	<p>Port Power Switching: Enables power switching on all ports simultaneously (ganged), or port power is individually switched on and off on a port-by-port basis (individual). The ability to support power enabling on a port or ganged basis is hardware implementation dependent.</p> <p>'0' = Ganged switching (all ports together) '1' = Individual port-by-port switching</p>

8.2.1.8 Register 07h: Configuration Data Byte 2

BIT NUMBER	BIT NAME	DESCRIPTION
7	DYNAMIC	<p>Dynamic Power Enable: Controls the ability of the hub to automatically change from self-powered operation to bus-powered operation if the local power source is removed or is unavailable (and from bus-powered to self-powered if the local power source is restored).</p> <p>When dynamic power switching is enabled, the hub detects the availability of a local power source by monitoring the external LOCAL_PWR pin. If the hub detects a change in power source availability, the hub immediately disconnects and removes power from all downstream devices and disconnects the upstream port. The hub will then re-attach to the upstream port as either a bus-powered hub (if local-power is unavailable) or a self-powered hub (if local power is available).</p> <p>'0' = No dynamic auto-switching '1' = Dynamic auto-switching capable</p>
6	Reserved	Reserved
5:4	OC_TIMER	<p>OverCurrent Timer: Over-current Timer delay.</p> <p>'00' = 0.1 ms '01' = 4.0 ms '10' = 8.0 ms '11' = 16.0 ms</p>
3	COMPOUND	<p>Compound Device: Allows OEM to indicate that the hub is part of a compound (see the USB specification for definition) device. The applicable port(s) must also be defined as having a "Non-Removable Device".</p> <p>Note: When configured via strapping options, declaring a port as non-removable automatically causes the hub controller to report that it is part of a compound device.</p> <p>'0' = No '1' = Yes, The hub is part of a compound device</p>
2:0	Reserved	Reserved

8.2.1.9 Register 08h: Configuration Data Byte 3

BIT NUMBER	BIT NAME	DESCRIPTION
7:4	Reserved	Reserved
3	PRTMAP_EN	<p>Port mapping enable: Selects the method used by the hub to assign port numbers and disable ports.</p> <p>'0' = Standard mode '1' = Port mapping mode</p>
2:1	LED_MODE	<p>LED Mode Selection: The LED_A[x:1]_N and LED_B[x:1]_N pins support several different modes of operation (depending upon OEM implementation of the LED circuit).</p> <p>'00' = USB Mode '01' = Speed Indication Mode '10' = Same as '00', USB Mode '11' = Same as '00', USB Mode</p> <p>Warning: Do not enable an LED mode that requires LED pins that are not available in the specific package being used in the implementation.</p> <p>Note: The hub will only report that it supports LED's to the host when USB mode is selected. All other modes will be reported as No LED Support.</p>
0	STRING_EN	<p>Enables String Descriptor Support</p> <p>'0' = String support disabled '1' = String support enabled</p>

8.2.1.10 Register 09h: Non-Removable Device

BIT NUMBER	BIT NAME	DESCRIPTION
7:0	NR_DEVICE	<p>Non-removable Device: Indicates which port(s) include non-removable devices.</p> <p>'0' = port is removable '1' = port is non-removable</p> <p>Informs the host if one of the active ports has a permanent device that is undetachable from the hub. (Note: The device must provide its own descriptor data.)</p> <p>When using the internal default option, the NON_REM[1:0] pins will designate the appropriate ports as being non- removable.</p> <p>Bit 7= Controls Port 7 Bit 6= Controls Port 6 Bit 5= Controls Port 5 Bit 4= Controls Port 4 Bit 3= Controls Port 3 Bit 2= Controls Port 2 Bit 1= Controls Port 1 Bit 0= Reserved</p>

Datasheet

8.2.1.11 Register 0Ah: Port Disable For Self-Powered Operation

BIT NUMBER	BIT NAME	DESCRIPTION
7:0	PORT_DIS_SP	<p>Port Disable Self-Powered: Disables 1 or more ports.</p> <p>0 = Port is available 1 = Port is disabled</p> <p>During self-powered operation when mapping mode is disabled (PRTMAP_EN='0'), this selects the ports which will be permanently disabled, and are not available to be enabled or enumerated by a host controller. The ports can be disabled in any order, the internal logic will automatically report the correct number of enabled ports to the USB host, and will reorder the active ports in order to ensure proper function.</p> <p>When using the internal default option, the PRT_DIS_P[x:1] and PRT_DIS_M[x:1] pins will disable the appropriate ports.</p> <p>Bit 7= Controls Port 7 Bit 6= Controls Port 6 Bit 5= Controls Port 5 Bit 4= Controls Port 4 Bit 3= Controls Port 3 Bit 2= Controls Port 2 Bit 1= Controls Port 1 Bit 0= Reserved, always = '0'</p>

8.2.1.12 Register 0Bh: Port Disable For Bus-Powered Operation

BIT NUMBER	BIT NAME	DESCRIPTION
7:0	PORT_DIS_BP	<p>Port Disable Bus-Powered: Disables 1 or more ports.</p> <p>0 = Port is available 1 = Port is disabled</p> <p>During self-powered operation when mapping mode is disabled (PRTMAP_EN='0'), this selects the ports which will be permanently disabled, and are not available to be enabled or enumerated by a host Controller. The ports can be disabled in any order, the internal logic will automatically report the correct number of enabled ports to the USB host, and will reorder the active ports in order to ensure proper function.</p> <p>When using the internal default option, the PRT_DIS_P[x:1] and PRT_DIS_M[x:1] pins will disable the appropriate ports.</p> <p>Bit 7= Controls Port 7 Bit 6= Controls Port 6 Bit 5= Controls Port 5 Bit 4= Controls Port 4 Bit 3= Controls Port 3 Bit 2= Controls Port 2 Bit 1= Controls Port 1 Bit 0 is Reserved, always = '0'</p>

8.2.1.13 Register 0Ch: Max Power For Self-Powered Operation

BIT NUMBER	BIT NAME	DESCRIPTION
7:0	MAX_PWR_SP	<p>Max Power Self_Powered: Value in 2 mA increments that the hub consumes from an upstream port (VBUS) when operating as a self-powered hub. This value includes the hub silicon along with the combined power consumption (from VBUS) of all associated circuitry on the board. This value also includes the power consumption of a permanently attached peripheral if the hub is configured as a compound device, and the embedded peripheral reports 0 mA in its descriptors.</p> <p>Note: The USB 2.0 specification does not permit this value to exceed 100 mA</p>

8.2.1.14 Register 0Dh: Max Power For Bus-Powered Operation

BIT NUMBER	BIT NAME	DESCRIPTION
7:0	MAX_PWR_BP	<p>Max Power Bus_Powered: Value in 2 mA increments that the hub consumes from an upstream port (VBUS) when operating as a bus-powered hub. This value includes the hub silicon along with the combined power consumption (from VBUS) of all associated circuitry on the board. This value also includes the power consumption of a permanently attached peripheral if the hub is configured as a compound device, and the embedded peripheral reports 0 mA in its descriptors.</p>

8.2.1.15 Register 0Eh: Hub Controller Max Current For Self-Powered Operation

BIT NUMBER	BIT NAME	DESCRIPTION
7:0	HC_MAX_C_SP	<p>Hub Controller Max Current Self-Powered: Value in 2 mA increments that the hub consumes from an upstream port (VBUS) when operating as a self-powered hub. This value includes the hub silicon along with the combined power consumption (from VBUS) of all associated circuitry on the board. This value does NOT include the power consumption of a permanently attached peripheral if the hub is configured as a compound device.</p> <p>Note: The USB 2.0 specification does not permit this value to exceed 100 mA</p> <p>A value of 50 (decimal) indicates 100 mA, which is the default value.</p>

8.2.1.16 Register 0Fh: Hub Controller Max Current For Bus-Powered Operation

BIT NUMBER	BIT NAME	DESCRIPTION
7:0	HC_MAX_C_BP	<p>Hub Controller Max Current Bus-Powered: Value in 2 mA increments that the hub consumes from an upstream port (VBUS) when operating as a bus-powered hub. This value will include the hub silicon along with the combined power consumption (from VBUS) of all associated circuitry on the board. This value will NOT include the power consumption of a permanently attached peripheral if the hub is configured as a compound device.</p> <p>A value of 50 (decimal) would indicate 100 mA, which is the default value.</p>

Datasheet

8.2.1.17 Register 10h: Power-On Time

BIT NUMBER	BIT NAME	DESCRIPTION
7:0	POWER_ON_TIME	Power-On Time: The length of time that it takes (in 2 ms intervals) from the time the host initiated power-on sequence begins on a port until power is adequate on that port.

8.2.1.18 Register 11h: Language ID High

BIT NUMBER	BIT NAME	DESCRIPTION
7:0	LANG_ID_H	USB Language ID (Upper 8 bits of a 16-bit ID field)

8.2.1.19 Register 12h: Language ID Low

BIT NUMBER	BIT NAME	DESCRIPTION
7:0	LANG_ID_L	USB Language ID (Lower 8 bits of a 16-bit ID field)

8.2.1.20 Register 13h: Manufacturer String Length

BIT NUMBER	BIT NAME	DESCRIPTION
7:0	MFR_STR_LEN	Manufacturer String Length When supported, the maximum string length is 31 characters.

8.2.1.21 Register 14h: Product String Length

BIT NUMBER	BIT NAME	DESCRIPTION
7:0	PRD_STR_LEN	Product String Length When supported, the maximum string length is 31 characters.

8.2.1.22 Register 15h: Serial String Length

BIT NUMBER	BIT NAME	DESCRIPTION
7:0	SER_STR_LEN	Serial String Length When supported, the maximum string length is 31 characters.

8.2.1.23 Register 16h-53h: Manufacturer String

BIT NUMBER	BIT NAME	DESCRIPTION
7:0	MFR_STR	<p>Manufacturer String, UNICODE UTF-16LE per USB 2.0 specification</p> <p>When supported, the maximum string length is 31 characters (62 bytes).</p> <p>Note: The string consists of individual 16-bit UNICODE UTF-16LE characters. The Characters will be stored starting with the LSB at the least significant address and the MSB at the next 8-bit location (subsequent characters must be stored in sequential contiguous address in the same LSB, MSB manner). Some EEPROM programmers may transpose the MSB and LSB, thus reversing the Byte order. Please pay careful attention to the Byte ordering or your selected programming tools.</p>

8.2.1.24 Register 54h-91h: Product String

BIT NUMBER	BIT NAME	DESCRIPTION
7:0	PRD_STR	<p>Product String, UNICODE UTF-16LE per USB 2.0 specification</p> <p>When supported, the maximum string length is 31 characters (62 bytes).</p> <p>Note: The string consists of individual 16-bit UNICODE UTF-16LE characters. The Characters will be stored starting with the LSB at the least significant address and the MSB at the next 8-bit location (subsequent characters must be stored in sequential contiguous address in the same LSB, MSB manner). Some EEPROM programmers may transpose the MSB and LSB, thus reversing the Byte order. Please pay careful attention to the Byte ordering or your selected programming tools.</p>

8.2.1.25 Register 92h-CFh: Serial String

BIT NUMBER	BIT NAME	DESCRIPTION
7:0	SER_STR	<p>Serial String, UNICODE UTF-16LE per USB 2.0 specification</p> <p>When supported, the maximum string length is 31 characters (62 bytes).</p> <p>Note: The string consists of individual 16-bit UNICODE UTF-16LE characters. The Characters will be stored starting with the LSB at the least significant address and the MSB at the next 8-bit location (subsequent characters must be stored in sequential contiguous address in the same LSB, MSB manner). Some EEPROM programmers may transpose the MSB and LSB, thus reversing the Byte order. Please pay careful attention to the Byte ordering or your selected programming tools.</p>

Datasheet

8.2.1.26 Register D0h: Battery Charging Enable

BIT NUMBER	BIT NAME	DESCRIPTION
7:0	BC_EN	<p>Only available in USB251xB/Bi hub family products.</p> <p>Battery Charging Enable: Enables the battery charging feature for the corresponding port.</p> <p>'0' = Battery Charging support is not enabled '1' = Battery charging support is enabled</p> <p>Bit 7= Reserved Bit 6= Reserved Bit 5= Reserved Bit 4= Controls Port 4 Bit 3= Controls Port 3 Bit 2= Controls Port 2 Bit 1= Controls Port 1 Bit 0= Reserved</p>

8.2.1.27 Register F6h: Boost_Up

BIT NUMBER	BIT NAME	DESCRIPTION
7:2	Reserved	Reserved
1:0	BOOST_IOUT	<p>USB electrical signaling drive strength Boost Bit for the Upstream Port.</p> <p>'00' = Normal electrical drive strength = No boost '01' = Elevated electrical drive strength = Low (~ 4% boost) '10' = Elevated electrical drive strength = Medium (~ 8% boost) '11' = Elevated electrical drive strength = High (~12% boost)</p> <p>Note: "Boost" could result in non-USB Compliant parameters, OEM should use a '00' value unless specific implementation issues require additional signal boosting to correct for degraded USB signalling levels.</p>

8.2.1.28 Register F7h: Boost_7:5

BIT NUMBER	BIT NAME	DESCRIPTION
7:6	Reserved	Reserved
5:4	BOOST_IOUT_7	<p>USB electrical signaling drive strength Boost Bit for Downstream Port '7'.</p> <p>'00' = Normal electrical drive strength = No boost '01' = Elevated electrical drive strength = Low (~4% boost) '10' = Elevated electrical drive strength = Medium (~ 8% boost) '11' = Elevated electrical drive strength = High (~12% boost)</p>
3:2	BOOST_IOUT_6	<p>USB electrical signaling drive strength Boost Bit for Downstream Port '6'.</p> <p>'00' = Normal electrical drive strength = No boost '01' = Elevated electrical drive strength = Low (~4% boost) '10' = Elevated electrical drive strength = Medium (~ 8% boost) '11' = Elevated electrical drive strength = High (~12% boost)</p>

BIT NUMBER	BIT NAME	DESCRIPTION
1:0	BOOST_IOUT_5	USB electrical signaling drive strength Boost Bit for Downstream Port '5'. '00' = Normal electrical drive strength = No boost '01' = Elevated electrical drive strength = Low (~4% boost) '10' = Elevated electrical drive strength = Medium (~ 8% boost) '11' = Elevated electrical drive strength = High (~12% boost)

Note: "Boost" could result in non-USB Compliant parameters, OEM should use a '00' value unless specific implementation issues require additional signal boosting to correct for degraded USB signalling levels.

8.2.1.29 Register F8h: Boost_4:0

BIT NUMBER	BIT NAME	DESCRIPTION
7:6	BOOST_IOUT_4	USB electrical signaling drive strength Boost Bit for Downstream Port '4'. '00' = Normal electrical drive strength = No boost '01' = Elevated electrical drive strength = Low (~4% boost) '10' = Elevated electrical drive strength = Medium (~ 8% boost) '11' = Elevated electrical drive strength = High (~12% boost)
5:4	BOOST_IOUT_3	USB electrical signaling drive strength Boost Bit for Downstream Port '3'. '00' = Normal electrical drive strength = No boost '01' = Elevated electrical drive strength = Low (~4% boost) '10' = Elevated electrical drive strength = Medium (~ 8% boost) '11' = Elevated electrical drive strength = High (~12% boost)
3:2	BOOST_IOUT_2	USB electrical signaling drive strength Boost Bit for Downstream Port '2'. '00' = Normal electrical drive strength = No boost '01' = Elevated electrical drive strength = Low (~4% boost) '10' = Elevated electrical drive strength = Medium (~ 8% boost) '11' = Elevated electrical drive strength = High (~12% boost)
1:0	BOOST_IOUT_1	USB electrical signaling drive strength Boost Bit for Downstream Port '1'. '00' = Normal electrical drive strength = No boost '01' = Elevated electrical drive strength = Low (~4% boost) '10' = Elevated electrical drive strength = Medium (~ 8% boost) '11' = Elevated electrical drive strength = High (~12% boost)

Note: "Boost" could result in non-USB Compliant parameters, OEM should use a '00' value unless specific implementation issues require additional signal boosting to correct for degraded USB signalling levels.

Datasheet

8.2.1.30 Register FAh: Port Swap

BIT NUMBER	BIT NAME	DESCRIPTION
7:0	PRTSP	<p>Port Swap: Swaps the Upstream and Downstream USB DP and DM Pins for ease of board routing to devices and connectors.</p> <p>'0' = USB D+ functionality is associated with the DP pin and D- functionality is associated with the DM pin.</p> <p>'1' = USB D+ functionality is associated with the DM pin and D- functionality is associated with the DP pin.</p> <p>Bit 7= Controls Port 7 Bit 6= Controls Port 6 Bit 5= Controls Port 5 Bit 4= Controls Port 4 Bit 3= Controls Port 3 Bit 2= Controls Port 2 Bit 1= Controls Port 1 Bit 0= When this bit is '1', the upstream port DP/DM is swapped.</p>

8.2.1.31 Register FBh: PortMap 12

BIT NUMBER	BIT NAME	DESCRIPTION																																																												
7:0	PRTR12	<p>PortMap register for ports 1 & 2.</p> <p>When a hub is enumerated by a USB host controller, the hub is only permitted to report how many ports it has; the hub is not permitted to select a numerical range or assignment. The host controller will number the downstream ports of the hub starting with the number '1', up to the number of ports that the hub reported having.</p> <p>The host's port number is referred to as "Logical Port Number" and the physical port on the hub is the "Physical Port Number". When mapping mode is enabled (see PRTMAP_EN in Register 08h: Configuration Data Byte 3) the hub's downstream port numbers can be mapped to different logical port numbers (assigned by the host).</p> <p>Note: OEM must ensure that contiguous logical port numbers are used, starting from #1 up to the maximum number of enabled ports; this ensures that the hub's ports are numbered in accordance with the way a host will communicate with the ports.</p> <p style="text-align: center;">Table 8.3 PortMap Register for Ports 1 & 2</p> <table border="1" data-bbox="602 921 1421 1927"> <thead> <tr> <th>Bit [7:4]</th> <th>Value</th> <th>Description</th> </tr> </thead> <tbody> <tr> <td></td> <td>'0000'</td> <td>Physical Port 2 is Disabled</td> </tr> <tr> <td></td> <td>'0001'</td> <td>Physical Port 2 is mapped to Logical Port 1</td> </tr> <tr> <td></td> <td>'0010'</td> <td>Physical Port 2 is mapped to Logical Port 2</td> </tr> <tr> <td></td> <td>'0011'</td> <td>Physical Port 2 is mapped to Logical Port 3</td> </tr> <tr> <td></td> <td>'0100'</td> <td>Physical Port 2 is mapped to Logical Port 4</td> </tr> <tr> <td></td> <td>'0101'</td> <td>Physical Port 2 is mapped to Logical Port 5</td> </tr> <tr> <td></td> <td>'0100'</td> <td>Physical Port 2 is mapped to Logical Port 6</td> </tr> <tr> <td></td> <td>'0111'</td> <td>Physical Port 2 is mapped to Logical Port 7</td> </tr> <tr> <td></td> <td>'1000' to '1111'</td> <td>Reserved, will default to '0000' value</td> </tr> <tr> <th>Bit [3:0]</th> <th>Value</th> <th>Description</th> </tr> <tr> <td></td> <td>'0000'</td> <td>Physical Port 1 is Disabled</td> </tr> <tr> <td></td> <td>'0001'</td> <td>Physical Port 1 is mapped to Logical Port 1</td> </tr> <tr> <td></td> <td>'0010'</td> <td>Physical Port 1 is mapped to Logical Port 2</td> </tr> <tr> <td></td> <td>'0011'</td> <td>Physical Port 1 is mapped to Logical Port 3</td> </tr> <tr> <td></td> <td>'0100'</td> <td>Physical Port 1 is mapped to Logical Port 4</td> </tr> <tr> <td></td> <td>'0101'</td> <td>Physical Port 1 is mapped to Logical Port 5</td> </tr> <tr> <td></td> <td>'0110'</td> <td>Physical Port 1 is mapped to Logical Port 6</td> </tr> <tr> <td></td> <td>'0111'</td> <td>Physical Port 1 is mapped to Logical Port 7</td> </tr> <tr> <td></td> <td>'1000' to '1111'</td> <td>Reserved, will default to '0000' value</td> </tr> </tbody> </table>	Bit [7:4]	Value	Description		'0000'	Physical Port 2 is Disabled		'0001'	Physical Port 2 is mapped to Logical Port 1		'0010'	Physical Port 2 is mapped to Logical Port 2		'0011'	Physical Port 2 is mapped to Logical Port 3		'0100'	Physical Port 2 is mapped to Logical Port 4		'0101'	Physical Port 2 is mapped to Logical Port 5		'0100'	Physical Port 2 is mapped to Logical Port 6		'0111'	Physical Port 2 is mapped to Logical Port 7		'1000' to '1111'	Reserved, will default to '0000' value	Bit [3:0]	Value	Description		'0000'	Physical Port 1 is Disabled		'0001'	Physical Port 1 is mapped to Logical Port 1		'0010'	Physical Port 1 is mapped to Logical Port 2		'0011'	Physical Port 1 is mapped to Logical Port 3		'0100'	Physical Port 1 is mapped to Logical Port 4		'0101'	Physical Port 1 is mapped to Logical Port 5		'0110'	Physical Port 1 is mapped to Logical Port 6		'0111'	Physical Port 1 is mapped to Logical Port 7		'1000' to '1111'	Reserved, will default to '0000' value
Bit [7:4]	Value	Description																																																												
	'0000'	Physical Port 2 is Disabled																																																												
	'0001'	Physical Port 2 is mapped to Logical Port 1																																																												
	'0010'	Physical Port 2 is mapped to Logical Port 2																																																												
	'0011'	Physical Port 2 is mapped to Logical Port 3																																																												
	'0100'	Physical Port 2 is mapped to Logical Port 4																																																												
	'0101'	Physical Port 2 is mapped to Logical Port 5																																																												
	'0100'	Physical Port 2 is mapped to Logical Port 6																																																												
	'0111'	Physical Port 2 is mapped to Logical Port 7																																																												
	'1000' to '1111'	Reserved, will default to '0000' value																																																												
Bit [3:0]	Value	Description																																																												
	'0000'	Physical Port 1 is Disabled																																																												
	'0001'	Physical Port 1 is mapped to Logical Port 1																																																												
	'0010'	Physical Port 1 is mapped to Logical Port 2																																																												
	'0011'	Physical Port 1 is mapped to Logical Port 3																																																												
	'0100'	Physical Port 1 is mapped to Logical Port 4																																																												
	'0101'	Physical Port 1 is mapped to Logical Port 5																																																												
	'0110'	Physical Port 1 is mapped to Logical Port 6																																																												
	'0111'	Physical Port 1 is mapped to Logical Port 7																																																												
	'1000' to '1111'	Reserved, will default to '0000' value																																																												

8.2.1.32 Register FCh: PortMap 34

BIT NUMBER	BIT NAME	DESCRIPTION																																																												
7:0	PRTR34	<p>PortMap register for ports 3 & 4.</p> <p>When a hub is enumerated by a USB host controller, the hub is only permitted to report how many ports it has; the hub is not permitted to select a numerical range or assignment. The host controller will number the downstream ports of the hub starting with the number '1', up to the number of ports that the hub reported having.</p> <p>The host's port number is referred to as "Logical Port Number" and the physical port on the hub is the "Physical Port Number". When mapping mode is enabled (see PRTMAP_EN in Register 08h: Configuration Data Byte 3) the hub's downstream port numbers can be mapped to different logical port numbers (assigned by the host).</p> <p>Note: OEM must ensure that contiguous logical port numbers are used, starting from #1 up to the maximum number of enabled ports; this ensures that the hub's ports are numbered in accordance with the way a host will communicate with the ports.</p> <p style="text-align: center;">Table 8.4 PortMap Register for Ports 3 & 4</p> <table border="1" data-bbox="602 909 1421 1911"> <thead> <tr> <th>Bit [7:4]</th> <th>Value</th> <th>Description</th> </tr> </thead> <tbody> <tr> <td></td> <td>'0000'</td> <td>Physical Port 4 is Disabled</td> </tr> <tr> <td></td> <td>'0001'</td> <td>Physical Port 4 is mapped to Logical Port 1</td> </tr> <tr> <td></td> <td>'0010'</td> <td>Physical Port 4 is mapped to Logical Port 2</td> </tr> <tr> <td></td> <td>'0011'</td> <td>Physical Port 4 is mapped to Logical Port 3</td> </tr> <tr> <td></td> <td>'0100'</td> <td>Physical Port 4 is mapped to Logical Port 4</td> </tr> <tr> <td></td> <td>'0101'</td> <td>Physical Port 4 is mapped to Logical Port 5</td> </tr> <tr> <td></td> <td>'0100'</td> <td>Physical Port 4 is mapped to Logical Port 6</td> </tr> <tr> <td></td> <td>'0111'</td> <td>Physical Port 4 is mapped to Logical Port 7</td> </tr> <tr> <td></td> <td>'1000' to '1111'</td> <td>Reserved, will default to '0000' value</td> </tr> <tr> <th>Bit [3:0]</th> <th>Value</th> <th>Description</th> </tr> <tr> <td></td> <td>'0000'</td> <td>Physical Port 3 is Disabled</td> </tr> <tr> <td></td> <td>'0001'</td> <td>Physical Port 3 is mapped to Logical Port 1</td> </tr> <tr> <td></td> <td>'0010'</td> <td>Physical Port 3 is mapped to Logical Port 2</td> </tr> <tr> <td></td> <td>'0011'</td> <td>Physical Port 3 is mapped to Logical Port 3</td> </tr> <tr> <td></td> <td>'0100'</td> <td>Physical Port 3 is mapped to Logical Port 4</td> </tr> <tr> <td></td> <td>'0101'</td> <td>Physical Port 3 is mapped to Logical Port 5</td> </tr> <tr> <td></td> <td>'0110'</td> <td>Physical Port 3 is mapped to Logical Port 6</td> </tr> <tr> <td></td> <td>'0111'</td> <td>Physical Port 3 is mapped to Logical Port 7</td> </tr> <tr> <td></td> <td>'1000' to '1111'</td> <td>Reserved, will default to '0000' value</td> </tr> </tbody> </table>	Bit [7:4]	Value	Description		'0000'	Physical Port 4 is Disabled		'0001'	Physical Port 4 is mapped to Logical Port 1		'0010'	Physical Port 4 is mapped to Logical Port 2		'0011'	Physical Port 4 is mapped to Logical Port 3		'0100'	Physical Port 4 is mapped to Logical Port 4		'0101'	Physical Port 4 is mapped to Logical Port 5		'0100'	Physical Port 4 is mapped to Logical Port 6		'0111'	Physical Port 4 is mapped to Logical Port 7		'1000' to '1111'	Reserved, will default to '0000' value	Bit [3:0]	Value	Description		'0000'	Physical Port 3 is Disabled		'0001'	Physical Port 3 is mapped to Logical Port 1		'0010'	Physical Port 3 is mapped to Logical Port 2		'0011'	Physical Port 3 is mapped to Logical Port 3		'0100'	Physical Port 3 is mapped to Logical Port 4		'0101'	Physical Port 3 is mapped to Logical Port 5		'0110'	Physical Port 3 is mapped to Logical Port 6		'0111'	Physical Port 3 is mapped to Logical Port 7		'1000' to '1111'	Reserved, will default to '0000' value
Bit [7:4]	Value	Description																																																												
	'0000'	Physical Port 4 is Disabled																																																												
	'0001'	Physical Port 4 is mapped to Logical Port 1																																																												
	'0010'	Physical Port 4 is mapped to Logical Port 2																																																												
	'0011'	Physical Port 4 is mapped to Logical Port 3																																																												
	'0100'	Physical Port 4 is mapped to Logical Port 4																																																												
	'0101'	Physical Port 4 is mapped to Logical Port 5																																																												
	'0100'	Physical Port 4 is mapped to Logical Port 6																																																												
	'0111'	Physical Port 4 is mapped to Logical Port 7																																																												
	'1000' to '1111'	Reserved, will default to '0000' value																																																												
Bit [3:0]	Value	Description																																																												
	'0000'	Physical Port 3 is Disabled																																																												
	'0001'	Physical Port 3 is mapped to Logical Port 1																																																												
	'0010'	Physical Port 3 is mapped to Logical Port 2																																																												
	'0011'	Physical Port 3 is mapped to Logical Port 3																																																												
	'0100'	Physical Port 3 is mapped to Logical Port 4																																																												
	'0101'	Physical Port 3 is mapped to Logical Port 5																																																												
	'0110'	Physical Port 3 is mapped to Logical Port 6																																																												
	'0111'	Physical Port 3 is mapped to Logical Port 7																																																												
	'1000' to '1111'	Reserved, will default to '0000' value																																																												

8.2.1.33 Register FDh: PortMap 56

BIT NUMBER	BIT NAME	DESCRIPTION																																																												
7:0	PRTR56	<p>PortMap register for ports 5 & 6.</p> <p>When a hub is enumerated by a USB host controller, the hub is only permitted to report how many ports it has; the hub is not permitted to select a numerical range or assignment. The host controller will number the downstream ports of the hub starting with the number '1', up to the number of ports that the hub reported having.</p> <p>The host's port number is referred to as "Logical Port Number" and the physical port on the hub is the "Physical Port Number". When mapping mode is enabled (see PRTMAP_EN in Register 08h: Configuration Data Byte 3) the hub's downstream port numbers can be mapped to different logical port numbers (assigned by the host).</p> <p>Note: OEM must ensure that contiguous logical port numbers are used, starting from #1 up to the maximum number of enabled ports; this ensures that the hub's ports are numbered in accordance with the way a host will communicate with the ports.</p> <p style="text-align: center;">Table 8.5 PortMap Register for Ports 5 & 6</p> <table border="1" data-bbox="602 921 1427 1934"> <thead> <tr> <th>Bit [7:4]</th> <th></th> <th></th> </tr> </thead> <tbody> <tr> <td></td> <td>'0000'</td> <td>Physical Port 6 is Disabled</td> </tr> <tr> <td></td> <td>'0001'</td> <td>Physical Port 6 is mapped to Logical Port 1</td> </tr> <tr> <td></td> <td>'0010'</td> <td>Physical Port 6 is mapped to Logical Port 2</td> </tr> <tr> <td></td> <td>'0011'</td> <td>Physical Port 6 is mapped to Logical Port 3</td> </tr> <tr> <td></td> <td>'0100'</td> <td>Physical Port 6 is mapped to Logical Port 4</td> </tr> <tr> <td></td> <td>'0101'</td> <td>Physical Port 6 is mapped to Logical Port 5</td> </tr> <tr> <td></td> <td>'0100'</td> <td>Physical Port 6 is mapped to Logical Port 6</td> </tr> <tr> <td></td> <td>'0111'</td> <td>Physical Port 6 is mapped to Logical Port 7</td> </tr> <tr> <td></td> <td>'1000' to '1111'</td> <td>Reserved, will default to '0000' value</td> </tr> <tr> <th>Bit [3:0]</th> <th></th> <th></th> </tr> <tr> <td></td> <td>'0000'</td> <td>Physical Port 5 is Disabled</td> </tr> <tr> <td></td> <td>'0001'</td> <td>Physical Port 5 is mapped to Logical Port 1</td> </tr> <tr> <td></td> <td>'0010'</td> <td>Physical Port 5 is mapped to Logical Port 2</td> </tr> <tr> <td></td> <td>'0011'</td> <td>Physical Port 5 is mapped to Logical Port 3</td> </tr> <tr> <td></td> <td>'0100'</td> <td>Physical Port 5 is mapped to Logical Port 4</td> </tr> <tr> <td></td> <td>'0101'</td> <td>Physical Port 5 is mapped to Logical Port 5</td> </tr> <tr> <td></td> <td>'0110'</td> <td>Physical Port 5 is mapped to Logical Port 6</td> </tr> <tr> <td></td> <td>'0111'</td> <td>Physical Port 5 is mapped to Logical Port 7</td> </tr> <tr> <td></td> <td>'1000' to '1111'</td> <td>Reserved, will default to '0000' value</td> </tr> </tbody> </table>	Bit [7:4]				'0000'	Physical Port 6 is Disabled		'0001'	Physical Port 6 is mapped to Logical Port 1		'0010'	Physical Port 6 is mapped to Logical Port 2		'0011'	Physical Port 6 is mapped to Logical Port 3		'0100'	Physical Port 6 is mapped to Logical Port 4		'0101'	Physical Port 6 is mapped to Logical Port 5		'0100'	Physical Port 6 is mapped to Logical Port 6		'0111'	Physical Port 6 is mapped to Logical Port 7		'1000' to '1111'	Reserved, will default to '0000' value	Bit [3:0]				'0000'	Physical Port 5 is Disabled		'0001'	Physical Port 5 is mapped to Logical Port 1		'0010'	Physical Port 5 is mapped to Logical Port 2		'0011'	Physical Port 5 is mapped to Logical Port 3		'0100'	Physical Port 5 is mapped to Logical Port 4		'0101'	Physical Port 5 is mapped to Logical Port 5		'0110'	Physical Port 5 is mapped to Logical Port 6		'0111'	Physical Port 5 is mapped to Logical Port 7		'1000' to '1111'	Reserved, will default to '0000' value
Bit [7:4]																																																														
	'0000'	Physical Port 6 is Disabled																																																												
	'0001'	Physical Port 6 is mapped to Logical Port 1																																																												
	'0010'	Physical Port 6 is mapped to Logical Port 2																																																												
	'0011'	Physical Port 6 is mapped to Logical Port 3																																																												
	'0100'	Physical Port 6 is mapped to Logical Port 4																																																												
	'0101'	Physical Port 6 is mapped to Logical Port 5																																																												
	'0100'	Physical Port 6 is mapped to Logical Port 6																																																												
	'0111'	Physical Port 6 is mapped to Logical Port 7																																																												
	'1000' to '1111'	Reserved, will default to '0000' value																																																												
Bit [3:0]																																																														
	'0000'	Physical Port 5 is Disabled																																																												
	'0001'	Physical Port 5 is mapped to Logical Port 1																																																												
	'0010'	Physical Port 5 is mapped to Logical Port 2																																																												
	'0011'	Physical Port 5 is mapped to Logical Port 3																																																												
	'0100'	Physical Port 5 is mapped to Logical Port 4																																																												
	'0101'	Physical Port 5 is mapped to Logical Port 5																																																												
	'0110'	Physical Port 5 is mapped to Logical Port 6																																																												
	'0111'	Physical Port 5 is mapped to Logical Port 7																																																												
	'1000' to '1111'	Reserved, will default to '0000' value																																																												

8.2.1.34 Register FEh: PortMap 7

BIT NUMBER	BIT NAME	DESCRIPTION																														
7:0	PRTR7	<p>PortMap register for port 7.</p> <p>When a hub is enumerated by a USB host controller, the hub is only permitted to report how many ports it has; the hub is not permitted to select a numerical range or assignment. The host controller will number the downstream ports of the hub starting with the number '1', up to the number of ports that the hub reported having.</p> <p>The host's port number is referred to as "Logical Port Number" and the physical port on the hub is the "Physical Port Number". When mapping mode is enabled (see PRTMAP_EN in Register 08h: Configuration Data Byte 3) the hub's downstream port numbers can be mapped to different logical port numbers (assigned by the host).</p> <p>Note: OEM must ensure that contiguous logical port numbers are used, starting from #1 up to the maximum number of enabled ports; this ensures that the hub's ports are numbered in accordance with the way a host will communicate with the ports.</p> <p style="text-align: center;">Table 8.6 PortMap Register for Port 7</p> <table border="1" data-bbox="602 911 1421 1520"> <thead> <tr> <th data-bbox="602 911 816 1014">Bit [7:4]</th> <th data-bbox="816 911 937 1014">'0000' to '1111'</th> <th data-bbox="937 911 1421 1014">Reserved</th> </tr> </thead> <tbody> <tr> <td data-bbox="602 1014 816 1062">Bit [3:0]</td> <td data-bbox="816 1014 937 1062">'0000'</td> <td data-bbox="937 1014 1421 1062">Physical Port 7 is Disabled</td> </tr> <tr> <td></td> <td data-bbox="816 1062 937 1110">'0001'</td> <td data-bbox="937 1062 1421 1110">Physical Port 7 is mapped to Logical Port 1</td> </tr> <tr> <td></td> <td data-bbox="816 1110 937 1159">'0010'</td> <td data-bbox="937 1110 1421 1159">Physical Port 7 is mapped to Logical Port 2</td> </tr> <tr> <td></td> <td data-bbox="816 1159 937 1207">'0011'</td> <td data-bbox="937 1159 1421 1207">Physical Port 7 is mapped to Logical Port 3</td> </tr> <tr> <td></td> <td data-bbox="816 1207 937 1255">'0100'</td> <td data-bbox="937 1207 1421 1255">Physical Port 7 is mapped to Logical Port 4</td> </tr> <tr> <td></td> <td data-bbox="816 1255 937 1304">'0101'</td> <td data-bbox="937 1255 1421 1304">Physical Port 7 is mapped to Logical Port 5</td> </tr> <tr> <td></td> <td data-bbox="816 1304 937 1352">'0110'</td> <td data-bbox="937 1304 1421 1352">Physical Port 7 is mapped to Logical Port 6</td> </tr> <tr> <td></td> <td data-bbox="816 1352 937 1400">'0111'</td> <td data-bbox="937 1352 1421 1400">Physical Port 7 is mapped to Logical Port 7</td> </tr> <tr> <td></td> <td data-bbox="816 1400 937 1520">'1000' to '1111'</td> <td data-bbox="937 1400 1421 1520">Reserved, will default to '0000' value</td> </tr> </tbody> </table>	Bit [7:4]	'0000' to '1111'	Reserved	Bit [3:0]	'0000'	Physical Port 7 is Disabled		'0001'	Physical Port 7 is mapped to Logical Port 1		'0010'	Physical Port 7 is mapped to Logical Port 2		'0011'	Physical Port 7 is mapped to Logical Port 3		'0100'	Physical Port 7 is mapped to Logical Port 4		'0101'	Physical Port 7 is mapped to Logical Port 5		'0110'	Physical Port 7 is mapped to Logical Port 6		'0111'	Physical Port 7 is mapped to Logical Port 7		'1000' to '1111'	Reserved, will default to '0000' value
Bit [7:4]	'0000' to '1111'	Reserved																														
Bit [3:0]	'0000'	Physical Port 7 is Disabled																														
	'0001'	Physical Port 7 is mapped to Logical Port 1																														
	'0010'	Physical Port 7 is mapped to Logical Port 2																														
	'0011'	Physical Port 7 is mapped to Logical Port 3																														
	'0100'	Physical Port 7 is mapped to Logical Port 4																														
	'0101'	Physical Port 7 is mapped to Logical Port 5																														
	'0110'	Physical Port 7 is mapped to Logical Port 6																														
	'0111'	Physical Port 7 is mapped to Logical Port 7																														
	'1000' to '1111'	Reserved, will default to '0000' value																														

8.2.1.35 Register FFh: Status/Command

BIT NUMBER	BIT NAME	DESCRIPTION
7:3	Reserved	Reserved
2	INTF_PW_DN	SMBus Interface Power Down '0' = Interface is active '1' = Interface power down after ACK has completed
1	RESET	Reset the SMBus Interface and internal memory back to RESET_N assertion default settings. '0' = Normal Run/Idle State '1' = Force a reset of registers to their default state
0	USB_ATTACH	USB Attach (and write protect) '0' = SMBus slave interface is active '1' = The hub will signal a USB attach event to an upstream device, and the internal memory (address range 00h-FEh) is "write-protected" to prevent unintentional data corruption.

8.2.2 I²C EEPROM

The I²C EEPROM interface implements a subset of the I²C Master specification (Please refer to the Philips Semiconductor Standard I²C-Bus specification for details on I²C bus protocols). The SMSC hub's I²C EEPROM interface is designed to attach to a single "dedicated" I²C EEPROM, and it conforms to the Standard-mode I²C specification (100 kbit/s transfer rate and 7-bit addressing) for protocol and electrical compatibility.

Note: Extensions to the I²C specification are not supported.

The hub acts as the master and generates the serial clock SCL, controls the bus access (determines which device acts as the transmitter and which device acts as the receiver), and generates the START and STOP conditions.

8.2.2.1 Implementation Characteristics

The hub will only access an EEPROM using the sequential read protocol.

8.2.2.2 Pull-Up Resistor

The circuit board designer is required to place external pull-up resistors (10 k Ω recommended) on the SDA / SMBDATA and SCL / SMBCLK / CFG_SEL[0] lines (per SMBus 1.0 specification, and EEPROM manufacturer guidelines) to VDD33 in order to assure proper operation.

8.2.2.3 I²C EEPROM Slave Address

The slave address is 1010000.

Note: 10-bit addressing is NOT supported.

8.2.3 In-Circuit EEPROM Programming

The EEPROM can be programmed via ATE (automatic test equipment) by pulling RESET_N low (which tri-states the hub's EEPROM interface and allows an external source to program the EEPROM).

8.3 SMBus Slave Interface

Instead of loading User-Defined Descriptor data from an external EEPROM, the SMSC hub can be configured to receive a code load from an external processor via an SMBus interface. The SMBus interface shares the same pins as the EEPROM interface; if CFG_SEL[1] & CFG_SEL[0] activate the SMBus interface, external EEPROM support is no longer available (and the user-defined descriptor data must be downloaded via the SMBus). The SMSC hub waits indefinitely for the SMBus code load to complete and only “appears” as a newly connected device on USB after the code load is complete.

The hub’s SMBus implementation is a *slave-only* SMBus device. The implementation only supports read block and write block protocols. The hub responds to other protocols as described in [Section 8.3.3, "Invalid Protocol Response Behavior," on page 54](#). Reference the System Management Bus specification, Rev 1.0.

The SMBus interface is used to read and write the registers in the device. The register set is shown in [Section 8.2.1, "Internal Register Set \(Common to EEPROM and SMBus\)," on page 35](#).

8.3.1 SMBus Slave Addresses

The SMBus slave address is 58h (01011000b).

8.3.2 Bus Protocols

Typical Write Block and Read Block protocols are shown below. Register accesses are performed using 7-bit slave addressing, an 8-bit register address field, and an 8-bit data field. The shading indicates the hub driving data on the SMBDATA line; otherwise, host data is on the SDA/SMBDATA line.

The slave address is the unique SMBus Interface Address for the hub that identifies it on SMBus. The register address field is the internal address of the register to be accessed. The register data field is the data that the host is attempting to write to the register or the contents of the register that the host is attempting to read.

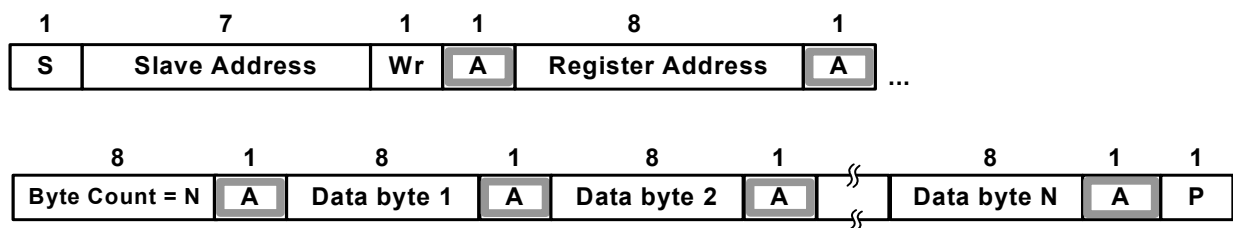
Note: Data bytes are transferred MSB first.

8.3.2.1 Block Read/Write

The block write begins with a slave address and a write condition. After the command code, the host issues a byte count which describes how many more bytes will follow in the message. If a slave had 20 bytes to send, the first byte would be the number 20 (14h), followed by the 20 bytes of data. The byte count may not be 0. A block read or write is allowed to transfer a maximum of 32 data bytes.

Note: For the following SMBus tables:

Denotes Master-to-Slave Denotes Slave-to-Master



Block Write

Figure 8.1 Block Write

8.3.2.2 Block Read

A block read differs from a block write in that the repeated start condition exists to satisfy the I²C specification's requirement for a change in the transfer direction.

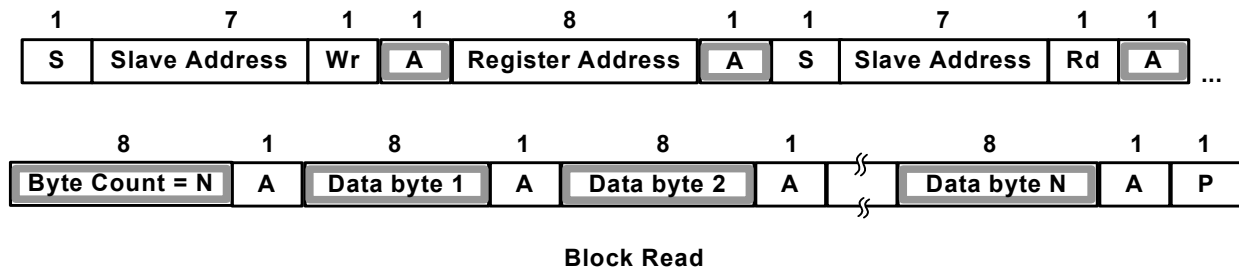


Figure 8.2 Block Read

8.3.3 Invalid Protocol Response Behavior

Registers that are accessed with an invalid protocol are not updated. A register is only updated following a valid protocol. The only valid protocols are write block and read block, which are described above. The hub only responds to the hardware selected Slave Address (0101100x).

Attempting to communicate with the hub over SMBus with an invalid slave address or invalid protocol results in no response, and the SMBus Slave Interface returns to the idle state.

The only valid registers that are accessible by the SMBus slave address are the registers defined in the Registers Section. The hub does not respond to undefined registers.

8.3.4 General Call Address Response

The hub does not respond to a general call address of 0000_000b.

8.3.5 Slave Device Time-Out

According to the SMBus specification, version 1.0 devices in a transfer can abort the transfer in progress and release the bus when any single clock low interval exceeds 25 ms ($T_{\text{TIMEOUT, MIN}}$). Devices that have detected this condition must reset their communication and be able to receive a new START condition no later than 35 ms ($T_{\text{TIMEOUT, MAX}}$).

Note: Some simple devices do not contain a clock low drive circuit; this simple kind of device typically resets its communications port after a start or stop condition. The slave device time-out must be implemented.

8.3.6 Stretching the SCLK Signal

The hub supports stretching of the SCLK by other devices on the SMBus. The hub does not stretch the SCLK.

8.3.7 SMBus Timing

The SMBus Slave Interface complies with the SMBus AC Timing specification. See the SMBus timing in the "Timing Diagram" section.

8.3.8 Bus Reset Sequence

The SMBus slave interface resets and returns to the idle state upon a START field followed immediately by a STOP field.

Datasheet

8.3.9 SMBus Alert Response Address

The SMBALERT# signal is not supported by the hub.

8.3.9.1 Undefined Registers

The registers shown in [Table 8.2](#) are the defined registers in the hub. Reads to undefined registers return 00h. Writes to undefined registers have no effect and do not return an error.

8.3.9.2 Reserved Registers

Reserved registers should be written to '0' unless otherwise specified. Contents read should be ignored.

8.4 Default Configuration Option

To configure the SMSC hub in its default configuration, strap CFG_SEL[2:0] to 00h. This procedure configures the hub to the internal defaults and enables the strapping options. Please see [Section 8.2.1, "Internal Register Set \(Common to EEPROM and SMBus\)"](#) for the list of the default values. For specific pin strapping options, please see [Chapter 5, Pin Descriptions](#) for instructions on how to modify the default values. Options include port disable and non-removable pin strapping.

8.5 Default Strapping Options

The USB251x can be configured via a combination of internal default values and pin strap options. Please see [Table 8.2](#) for specific details on how to enable the default/pin-strap configuration option.

The strapping option pins only cover a limited sub-set of the configuration options. The internal default values will be used for the bits & registers that are not controlled by a strapping option pin. Please refer to [Table 8.2](#) for the internal default values that are loaded when this option is selected.

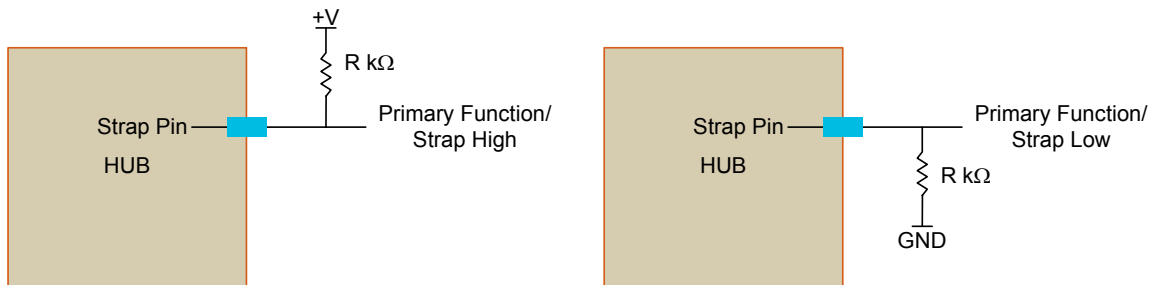
8.6 Strap Options

Table 8.7 Summary of Strap Options

Part Number	USB251x USB251xi USB251xA USB251xAi	USB251xB USB251xBi	Resistor Value (R)	Notes
Normal	✓	✓	47 - 100 kΩ	
Internal Pull-Down		✓	10 kΩ	<ul style="list-style-type: none"> ■ Only applicable to port power pins. ■ Contains a built-in resistor.
LED	✓	✓	47 - 100 kΩ	

8.6.1 Non-Removable Strap Option

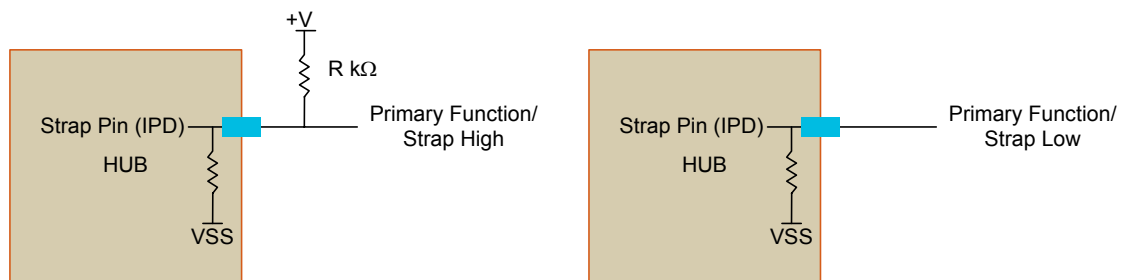
The strap function of the NON_REM[x:0] pins are enabled through the internal default configuration. The driver type of each strap pin is I/O (no internal pull-up or pull-down for the input function). Use this type of strap option for NON_REM[1:0]. [Figure 8.3](#) shows an example of Strap High and Strap Low. Use the Strap High configuration to set the strap option value to a '1'. Use the Strap Low configuration to set the strap option value to '0'.


Figure 8.3 Non-Removable Pin Strap Example

8.6.2 Internal Pull-Down (IPD)

If a pin's strap function is enabled thru hub configuration selection, (Table 8.1 Hub Configuration Selection) and the strap pins driver type is IPD/O (internal pull-down for the Input function), use this type of strap option.

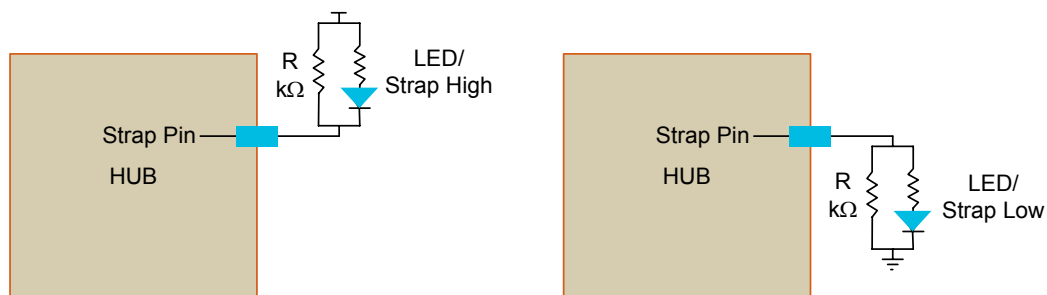
The following figure shows an example of Strap High and Strap Low. Use the Strap High configuration to set the strap option value to a '1'. Use the Strap Low configuration to set the strap option value to 0.


Figure 8.4 Pin Strap Option with IPD Pin Example

8.6.3 LED Strap Option

If a pin's strap function of the LED pins are enabled thru the internal default configuration, the driver type of each strap pin is I/O (no internal pull-up or pull-down for the input function). When the strap pin shares functionality with an LED, use this type of strap option.

The internal logic will drive the LED appropriately (active high or low) depending on the sampled strap option. Figure 8.5 shows an example of Strap High and Strap Low. Use the Strap High configuration to set the strap option value to a '1'. Use the Strap Low configuration to set the strap option value to '0'.


Figure 8.5 LED Pin Strap Example

Datasheet

USB2513/13i and USB2514/14i Only: The LED_A[x:1]_N pins are sampled after RESET_N negation, and the logic values are used to configure the hub if the internal default configuration mode is selected. The implementation shown in Figure 8.5 shows a recommended passive scheme. When a pin is configured with a "Strap High" configuration, the LED functions with active low signaling, and the PAD will "sink" the current from the external supply. When a pin is configured with a "Strap Low" configuration, the LED functions with active high signaling, and the PAD will source the current to the external LED.

8.7 Reset

There are two different resets that the hub experiences. One is a hardware reset via the RESET_N pin and the second is a USB Bus Reset.

8.7.1 External Hardware RESET_N

A valid hardware reset is defined as assertion of RESET_N for a minimum of 1 μ s after all power supplies are within operating range. While reset is asserted, the hub (and its associated external circuitry) consumes less than 500 μ A of current from the upstream USB power source.

Assertion of RESET_N (external pin) causes the following:

1. All downstream ports are disabled, and PRTPWR power to downstream devices is removed (unless BC_EN is enabled).
2. The PHYs are disabled, and the differential pairs will be in a high-impedance state.
3. All transactions immediately terminate; no states are saved.
4. All internal registers return to the default state (in most cases, 00(h)).
5. The external crystal oscillator is halted.
6. The PLL is halted.

The hub is "operational" 500 μ s after RESET_N is negated. Once operational, the hub immediately reads OEM-specific data from the external EEPROM (if the SMBus option is not disabled).

8.7.1.1 RESET_N for Strapping Option Configuration

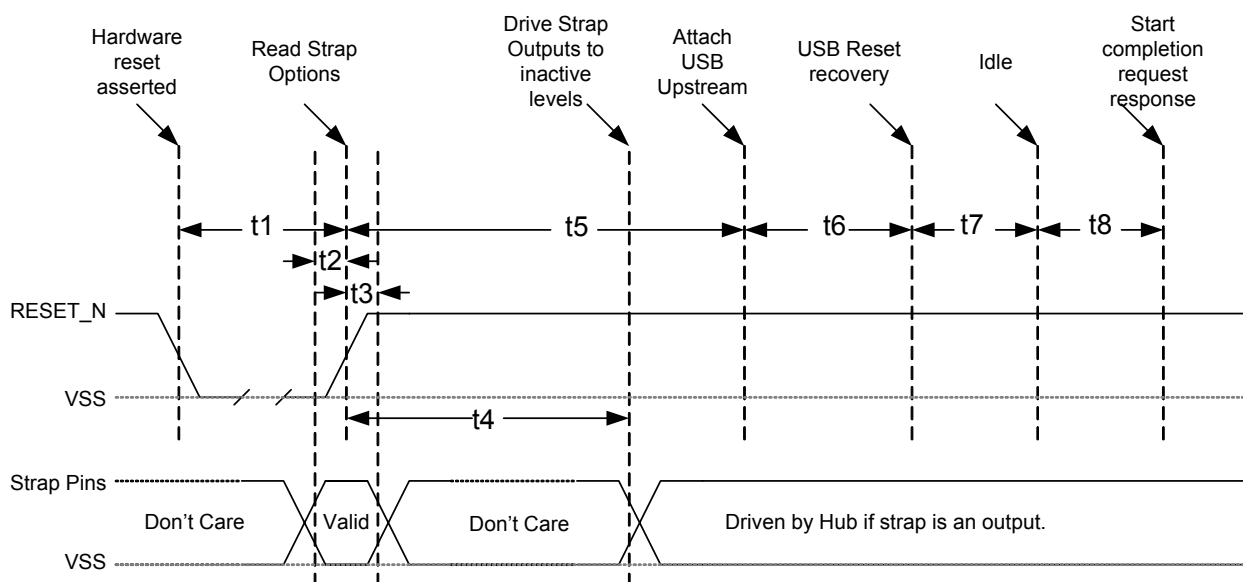


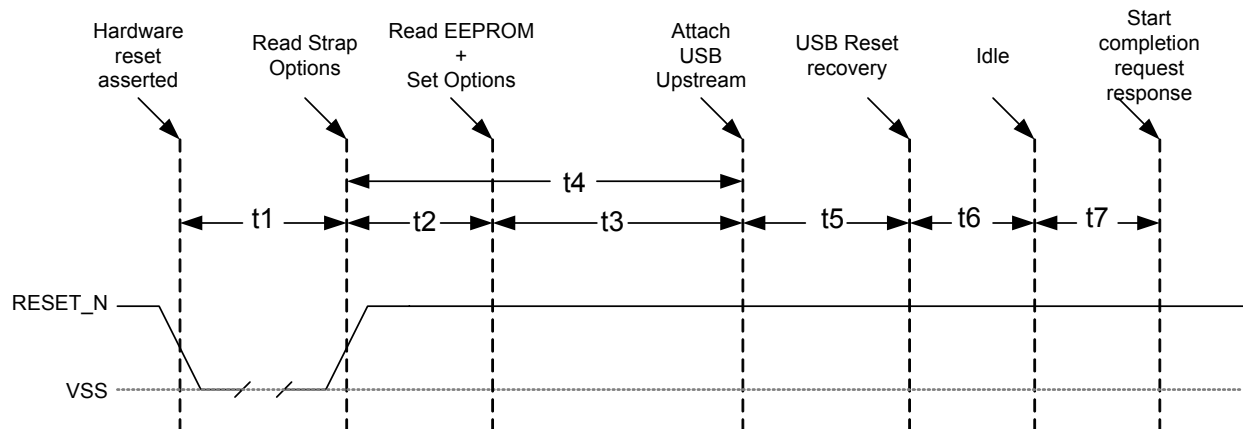
Figure 8.6 Reset_N Timing for Default/Strap Option Mode

Table 8.8 Reset_N Timing for Default/Strap Option Mode

NAME	DESCRIPTION	MIN	TYP	MAX	UNITS
t1	RESET_N Asserted.	1			μsec
t2	Strap Setup Time	16.7			nsec
t3	Strap Hold Time.	16.7		1400	nsec
t4	hub outputs driven to inactive logic states		1.5	2	μsec
t5	USB Attach (See Note).			100	msec
t6	Host acknowledges attach and signals USB Reset.	100			msec
t7	USB Idle.		undefined		msec
t8	Completion time for requests (with or without data stage).			5	msec

Notes:

- When in bus-powered mode, the hub and its associated circuitry must not consume more than 100 mA from the upstream USB power source during t1+t5.
- All power supplies must have reached the operating levels mandated in [Chapter 9, DC Parameters](#), prior to (or coincident with) the assertion of RESET_N.

8.7.1.2 RESET_N for EEPROM Configuration

Figure 8.7 Reset_N Timing for EEPROM Mode
Table 8.9 Reset_N Timing for EEPROM Mode

NAME	DESCRIPTION	MIN	TYP	MAX	UNITS
t1	RESET_N Asserted.	1			μsec
t2	Hub Recovery/Stabilization.			500	μsec
t3	EEPROM Read / Hub Config.		2.0	99.5	msec
t4	USB Attach (See Note).			100	msec

Table 8.9 Reset_N Timing for EEPROM Mode (continued)

NAME	DESCRIPTION	MIN	TYP	MAX	UNITS
t5	Host acknowledges attach and signals USB Reset.	100			msec
t6	USB Idle.		undefined		msec
t7	Completion time for requests (with or without data stage).			5	msec

Notes:

- When in bus-powered mode, the hub and its associated circuitry must not consume more than 100 mA from the upstream USB power source during t4+t5+t6+t7.
- All power supplies must have reached the operating levels mandated in [Chapter 9, DC Parameters](#), prior to (or coincident with) the assertion of RESET_N.

8.7.1.3 RESET_N for SMBus Slave Configuration

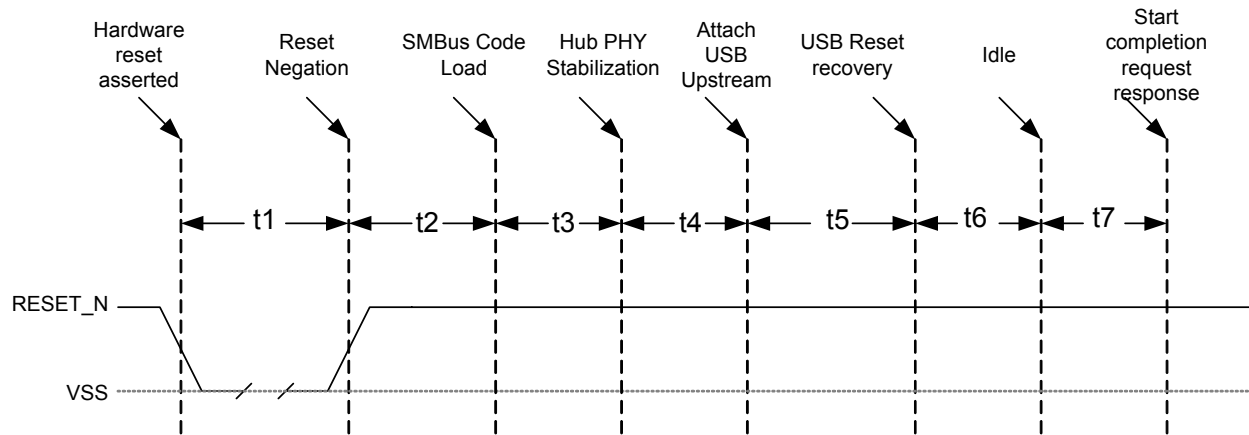


Figure 8.8 Reset_N Timing for SMBus Mode

Table 8.10 Reset_N Timing for SMBus Mode

NAME	DESCRIPTION	MIN	TYP	MAX	UNITS
t1	RESET_N Asserted.	1			μsec
t2	Hub Recovery/Stabilization.			500	μsec
t3	SMBus Code Load (See Note).		250	300	msec
t4	Hub Configuration and USB Attach.			100	msec
t5	Host acknowledges attach and signals USB Reset.	100			msec
t6	USB Idle.		Undefined		msec
t7	Completion time for requests (with or without data stage).			5	msec

Notes:

- For bus-powered configurations, the 99.5 ms (MAX) is required, and the hub and its associated circuitry must not consume more than 100 mA from the upstream USB power source during

$t_2+t_3+t_4+t_5+t_6+t_7$. For Self-Powered configurations, t_3 MAX is not applicable and the time to load the configuration is determined by the external SMBus host.

- All power supplies must have reached the operating levels mandated in [Chapter 9, DC Parameters](#), prior to (or coincident with) the assertion of RESET_N.

8.7.2 USB Bus Reset

In response to the upstream port signaling a reset to the hub, the hub does the following:

Note: The hub does not propagate the upstream USB reset to downstream devices.

1. Sets default address to 0.
2. Sets configuration to: Unconfigured.
3. Negates PRT_PWR[x:1] to all downstream ports unless battery charging (BC_EN) is enabled.
4. Clears all TT buffers.
5. Moves device from suspended to active (if suspended).
6. Complies with Section 11.10 of the USB 2.0 specification for behavior after completion of the reset sequence. The host then configures the hub and the hub's downstream port devices in accordance with the USB specification.

Note: The hub does not propagate the upstream USB reset to downstream devices.

Chapter 9 DC Parameters

9.1 Maximum Guaranteed Ratings

PARAMETER	SYMBOL	MIN	MAX	UNITS	COMMENTS
Storage Temperature	T_{STOR}	-55	150	°C	
Lead Temperature					Refer to JEDEC Specification J-STD-020D.
3.3 V supply voltage	VDD33 PLLFLT CRFLT		4.6	V	Applies to all parts.
Voltage on any I/O pin		-0.5	5.5	V	
Voltage on XTALIN		-0.5	4.0	V	
Voltage on XTALOUT		-0.5	2.5	V	

Note 9.1 Stresses above the specified parameters could cause permanent damage to the device. This is a stress rating only and functional operation of the device at any condition above those indicated in the operation sections of this specification is not implied.

Note 9.2 When powering this device from laboratory or system power supplies, it is important that the absolute maximum ratings not be exceeded or device failure can result. Some power supplies exhibit voltage spikes on their outputs when the AC power is switched on or off. In addition, voltage transients on the AC power line may appear on the DC output. When this possibility exists, it is suggested that a clamp circuit be used.

9.2 Operating Conditions

PARAMETER	SYMBOL	MIN	MAX	UNITS	COMMENTS
Commercial Operating Temperature	T_A	0	70	°C	Ambient temperature in still air. Only applies to USB251x and USB251xA products.
Extended Commercial Operating Temperature	T_{AE}	0	85	°C	Ambient temperature in still air. Only applies to USB251xB products.
Industrial Operating Temperature	T_{AI}	-40	85	°C	Ambient temperature in still air. Only applies to USB251xi, USB251xAi, and USB251xBi products.
3.3 V supply voltage	VDD33	3.0	3.6	V	Applies to all parts.
3.3 V supply rise time	t_{RT}	0	400	μs	See Figure 9.1

PARAMETER	SYMBOL	MIN	MAX	UNITS	COMMENTS
Voltage on any I/O pin		-0.3	5.5	V	If any 3.3 V supply voltage drops below 3.0 V, then the MAX becomes: (3.3 V supply voltage) + 0.5
Voltage on XTALIN		-0.3	VDD33	V	

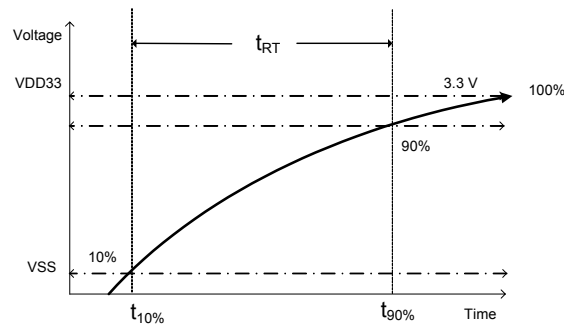


Figure 9.1 Supply Rise Time Model

Table 9.1 DC Electrical Characteristics

PARAMETER	SYMBOL	MIN	TYP	MAX	UNITS	COMMENTS
I, IS Type Input Buffer						
Low Input Level	V_{ILI}			0.8	V	TTL Levels
High Input Level	V_{IHI}	2.0			V	
Input Leakage	I_{IL}	-10		+10	μA	$V_{IN} = 0$ to V_{DD33}
Hysteresis ('IS' Only)	V_{HYSI}	250		350	mV	
Input Buffer with Pull-Up (IPU)						
Low Input Level	V_{ILI}			0.8	V	TTL Levels
High Input Level	V_{IHI}	2.0			V	
Low Input Leakage	I_{ILL}	+35		+90	μA	$V_{IN} = 0$
High Input Leakage	I_{IHL}	-10		+10	μA	$V_{IN} = V_{DD33}$
Input Buffer with Pull-Down (IPD)						
Low Input Level	V_{ILI}			0.8	V	TTL Levels
High Input Level	V_{IHI}	2.0			V	
Low Input Leakage	I_{ILL}	+10		-10	μA	$V_{IN} = 0$
High Input Leakage	I_{IHL}	-35		-90	μA	$V_{IN} = V_{DD33}$

Table 9.1 DC Electrical Characteristics (continued)

PARAMETER	SYMBOL	MIN	TYP	MAX	UNITS	COMMENTS
USB251x/xi/xA/xAi ICLK Input Buffer						
Low Input Level	V_{ILCK}			0.5	V	$V_{IN} = 0$ to VDD33
High Input Level	V_{IHCK}	1.4			V	
Input Leakage	I_{IL}	-10		+10	μ A	
USB251xB/xBi ICLK Input Buffer						
Low Input Level	V_{ILCK}			0.3	V	$V_{IN} = 0$ to VDD33
High Input Level	V_{IHCK}	0.9			V	
Input Leakage	I_{IL}	-10		+10	μ A	
O12, I/O12 & /OSD12 Type Buffer						
Low Output Level	V_{OL}			0.4	V	$I_{OL} = 12$ mA @ VDD33 = 3.3 V
High Output Level	V_{OH}	2.4			V	
Output Leakage	I_{OL}	-10		+10	μ A	$I_{OH} = -12$ mA @ VDD33 = 3.3 V
Hysteresis ('SD' pad only)	V_{HYSC}	250		350	mV	
						$V_{IN} = 0$ to VDD33 (Note 9.1)

Note 9.3 Output leakage is measured with the current pins in high impedance.

Note 9.4 See USB 2.0 specification for USB DC electrical characteristics.

Table 9.2 Supply Current Unconfigured: Hi-Speed Host ($I_{CCINTHS}$)

PART	MIN	TYP	MAX	UNITS	COMMENTS
USB2512/12i/12A/12Ai		90	95	mA	
USB2512B/12Bi		40	45		
USB2513/13i		95	105		
USB2513B/13Bi		40	45		
USB2514/14i		95	105		
USB2514B/14Bi		45	50		
USB2517/17i		120	130		

Table 9.3 Supply Current Unconfigured: Full-Speed Host (I_{CCINTFS})

PART	MIN	TYP	MAX	UNITS	COMMENTS
USB2512/12i/12A/12Ai		80	85	mA	
USB2512B/12Bi		35	40		
USB2513/13i		80	90		
USB2513B/13Bi		35	40		
USB2514/14i		80	90		
USB2514B/14Bi		35	40		
USB2517/17i		105	115		

Table 9.4 Supply Current Configured: Hi-Speed Host (I_{HCH1})

PART	MIN	TYP	MAX	UNITS	COMMENTS
USB2512		130	155	mA	This is the base current of one downstream port.
USB2512i		130	160		
USB2512A		120	145		
USB2512Ai		120	150		
USB2512B		60	65		
USB2512Bi		60	70		
USB2513		150	180		
USB2513i		150	185		
USB2513B		65	70		
USB2513Bi		65	75		
USB2514		155	200		
USB2514i		155	205		
USB2514B		70	80		
USB2514Bi		70	85		
USB2517		240	275		
USB2517i		240	280		

Table 9.4 Supply Current Configured: Hi-Speed Host (I_{HCH1})

PART	MIN	TYP	MAX	UNITS	COMMENTS
USB251x/xi/xA/xAi Supply Current Configured <i>Hi-Speed Host</i> , each additional downstream port		1 port base + 15 mA	1 port base + 40 mA	mA	
USB251xB/xBi Supply Current Configured <i>Hi-Speed Host</i> , each additional downstream port		1 port base + 25 mA	1 port base + 25 mA	mA	

Table 9.5 Supply Current Configured: Full-Speed Host (I_{FCC1})

PART	MIN	TYP	MAX	UNITS	COMMENTS
USB2512		105	125	mA	This is the base current of one downstream port.
USB2512i		105	135		
USB2512A		95	115		
USB2512Ai		95	125		
USB2512B		45	50		
USB2512Bi		45	55		
USB2513		125	135		
USB2513i		125	140		
USB2513B		50	55		
USB2513Bi		50	60		
USB2514		140	150		
USB2514i		140	155		
USB2514B		50	60		
USB2514Bi		50	65		
USB2517		215	220		
USB2517i		215	225		
USB251x/xi/xA/xAi Supply Current Configured <i>Full-Speed Host</i> , each additional downstream port		1 port base + 0 mA	1 port base + 0 mA	mA	There is no additional current for additional ports.
USB251xB/xBi Supply Current Configured <i>Full-Speed Host</i> , each additional downstream port		1 port base + 8 mA	1 port base + 8 mA	mA	

Table 9.6 USB251x/xi/xA/xAi Supply Current Suspend (I_{CSBY})

PART	MIN	TYP	MAX	UNITS	COMMENTS
USB2512/12A		310	420	μ A	All supplies combined
USB2512i/12Ai		310	600		
USB2513		310	420		
USB2513i		310	550		
USB2514		310	420		
USB2514i		310	600		
USB2517		310	610		
USB2517i		310	800		

Table 9.7 USB251xB/xBi Supply Current Suspend (I_{CSBY})

PART	MIN	TYP	MAX	UNITS	COMMENTS
USB2512B		475	1000	μ A	All supplies combined
USB2512Bi		475	1200		
USB2513B		500	1100		
USB2513Bi		500	1300		
USB2514B		550	1200		
USB2514Bi		550	1500		

Table 9.8 USB251x/xi/xA/xAi Supply Current Reset (I_{CRST})

PART	MIN	TYP	MAX	UNITS	COMMENTS
USB2512/12A		105	275	μ A	All supplies combined
USB2512i/12Ai		105	400		
USB2513		105	230		
USB2513i		100	350		
USB2514		100	275		
USB2514i		100	400		
USB2517		115	320		
USB2517i		115	600		

Table 9.9 USB251xB/xBi Supply Current Reset (I_{CRST})

PART	MIN	TYP	MAX	UNITS	COMMENTS
USB2512B		550	1100	μ A	All supplies combined
USB2512Bi		550	1250		
USB2513B		650	1200		
USB2513Bi		650	1400		
USB2514B		750	1400		
USB2514Bi		750	1600		

Table 9.10 Pin Capacitance for USB251x, USB251xi, USB251xA, USB251xAi

PARAMETER	SYMBOL	LIMITS			UNIT	TEST CONDITION
		MIN	TYP	MAX		
Clock Input Capacitance	C_{XTAL}			2	μ F	All pins except USB pins and the pins under the test tied to AC ground. (See Note 9.5)
Input Capacitance	C_{IN}			10	μ F	
Output Capacitance	C_{OUT}			20	μ F	

Table 9.11 Pin Capacitance for USB251xB and USB251xBi

PARAMETER	SYMBOL	LIMITS			UNIT	TEST CONDITION
		MIN	TYP	MAX		
Clock Input Capacitance	C_{XTAL}			6	μ F	All pins except USB pins and the pins under the test tied to AC ground. (See Note 9.5)
Input Capacitance	C_{IN}			6	μ F	
Output Capacitance	C_{OUT}			6	μ F	

Note 9.5 Capacitance $T_A = 25^\circ\text{C}$; $f_c = 1\text{ MHz}$; $V_{DD33} = 3.3\text{ V}$

9.2.1 Package Thermal Specifications

Thermal parameters are measured or estimated for devices with the exposed pad soldered to thermal vias in a multilayer 2S2P PCB per JESD51. Thermal resistance is measured from the die to the ambient air. The values provided are based on the package body, die size, maximum power consumption, 85°C ambient temperature, and 125°C junction temperature of the die.

Table 9.12 Package Thermal Resistance Parameters

SYMBOL	USB2512/12i USB2513/13i USB2514/14i (°C/W)	USB2512A/12Ai (°C/W)	USB2512B/12Bi USB2513B/13Bi USB2514B/14Bi (°C/W)	USB2513/13i USB2514/14i (°C/W)	VELOCITY (meters/sec)
PACKAGE	36-PIN QFN			48-PIN QFN	-
Θ_{JA}	34.2	36.2	40.1	31.6	0
	29.9	33.4	35.0	27.6	1
Ψ_{JT}	0.3	0.4	0.5	0.3	0
	0.5	0.7	0.7	0.4	1
Θ_{JC}	3.0	5.1	6.3	3.0	0
	3.0	5.1	6.3	3.0	1

Use the following formulas to calculate the junction temperature:

$$T_J = P \times \Theta_{JA} + T_A$$

$$T_J = P \times \Psi_{JT} + T_T$$

$$T_J = P \times \Theta_{JC} + T_C$$

Table 9.13 Legend

SYMBOL	DESCRIPTION
T_J	Junction temperature
P	Power dissipated
Θ_{JA}	Junction-to-ambient-temperature
Θ_{JC}	Junction-to-top-of-package
Ψ_{JT}	Junction-to-bottom-of-case
T_A	Ambient temperature
T_C	Temperature of the bottom of the case
T_T	Temperature of the top of the case

Chapter 10 AC Specifications

10.1 Oscillator/Crystal

Crystal: Parallel Resonant, Fundamental Mode, 24/48¹ MHz ±350 ppm.

External Clock: 50% Duty cycle ± 10%, 24/48 MHz ± 350 ppm, Jitter < 100 ps rms.

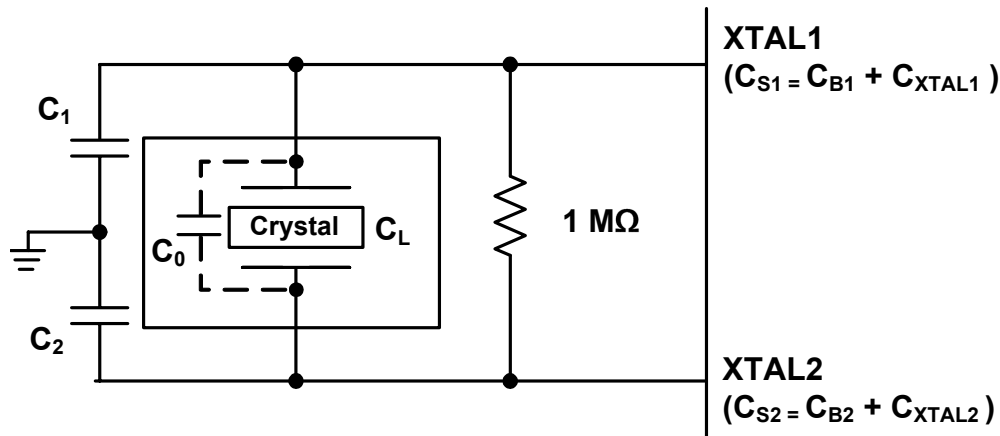


Figure 10.1 Typical Crystal Circuit

Table 10.1 Crystal Circuit Legend

SYMBOL	DESCRIPTION	IN ACCORDANCE WITH
C_0	Crystal shunt capacitance	Crystal manufacturer's specification (See Note 10.1)
C_L	Crystal load capacitance	
C_B	Total board or trace capacitance	OEM board design
C_S	Stray capacitance	SMSC IC and OEM board design
C_{XTAL}	XTAL pin input capacitance	SMSC IC
C_1	Load capacitors installed on OEM board	Calculated values based on Figure 10.2, "Formula to Find the Value of C1 and C2" (See Note 10.2)
C_2		

$$C_1 = 2 \times (C_L - C_0) - C_{S1}$$

$$C_2 = 2 \times (C_L - C_0) - C_{S2}$$

Figure 10.2 Formula to Find the Value of C_1 and C_2

Note 10.1 C_0 is usually included (subtracted by the crystal manufacturer) in the specification for C_L and should be set to '0' for use in the calculation of the capacitance formulas in [Figure 10.2, "Formula to Find the Value of C1 and C2"](#). However, the OEM PCB itself may present a parasitic capacitance between XTALIN and XTALOUT. For an accurate calculation of C_1 and C_2 , take the parasitic capacitance between traces XTALIN and XTALOUT into account.

Note 10.2 Each of these capacitance values is typically approximately 18 pF.

¹.Only when SEL48 is available and supported.

10.2 Ceramic Resonator

24 MHz \pm 350 ppm

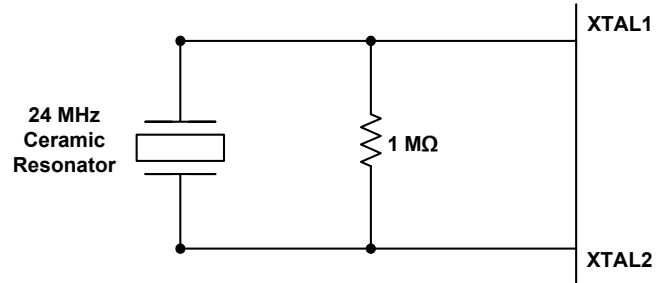


Figure 10.3 Ceramic Resonator Usage with SMSC IC

10.3 External Clock

50% Duty cycle \pm 10%, 24 MHz \pm 350 ppm, Jitter < 100 ps rms.

The external clock is recommended to conform to the signaling level designated in the JESD76-2 specification on 1.8 V CMOS Logic. XTALOUT should be treated as a no connect.

10.3.1 SMBus Interface

The SMSC Hub conforms to all voltage, power, and timing characteristics and specifications as set forth in the SMBus 1.0 specification for Slave-Only devices (except as noted in [Section 8.3, "SMBus Slave Interface,"](#) on page 53.

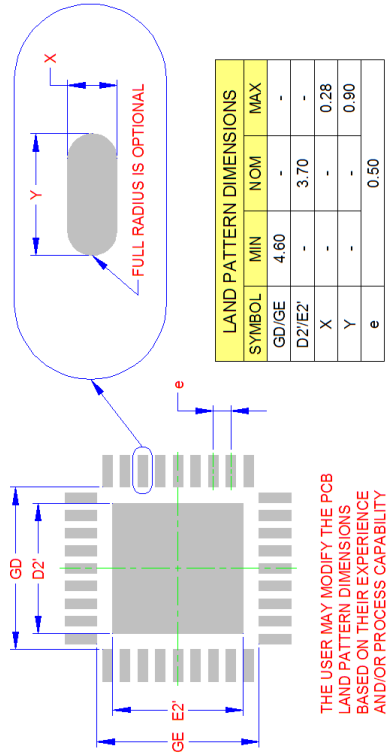
10.3.2 I²C EEPROM

Clock frequency is fixed at 60 KHz \pm 20%.

10.3.3 USB 2.0

The SMSC Hub conforms to all voltage, power, and timing characteristics and specifications as set forth in the USB 2.0 specification. Please refer to the USB 2.0 specification for more information.

Chapter 11 Package Outlines



THE USER MAY MODIFY THE PCB LAND PATTERN DIMENSIONS BASED ON THEIR EXPERIENCE AND/OR PROCESS CAPABILITY

RECOMMENDED PCB LAND PATTERN

COMMON DIMENSIONS					
SYMBOL	MIN	NOM	MAX	NOTE	REMARK
A	0.80	-	1.00	-	OVERALL PACKAGE HEIGHT
A1	0	0.02	0.05	-	STANDOFF
A2	0.60	-	0.80	-	MOLD CAP THICKNESS
A3	-	0.20 REF	-	-	LEADFRAME THICKNESS
D/E	5.85	6.00	6.15	-	X/Y BODY SIZE
D1/E1	5.55	-	5.95	-	XY MOLD CAP SIZE
D2/E2	3.55	3.70	3.85	2	XY EXPOSED PAD SIZE
L	0.50	0.60	0.75	-	TERMINAL LENGTH
b	0.18	0.25	0.30	2	TERMINAL WIDTH
e	-	0.50 BSC	-	-	TERMINAL PITCH

- NOTES:**
1. ALL DIMENSIONS ARE IN MILLIMETERS.
 2. POSITION TOLERANCE OF EACH TERMINAL AND EXPOSED PAD IS $\pm 0.05\text{mm}$ AT MAXIMUM MATERIAL CONDITION. DIMENSIONS 'b' APPLIES TO PLATED TERMINALS AND IT IS MEASURED BETWEEN 0.15 AND 0.30 mm FROM THE TERMINAL TIP.
 3. DETAILS OF TERMINAL #1 IDENTIFIER ARE OPTIONAL BUT MUST BE LOCATED WITHIN THE AREA INDICATED.
 4. COPLANARITY ZONE APPLIES TO EXPOSED PAD AND TERMINALS.

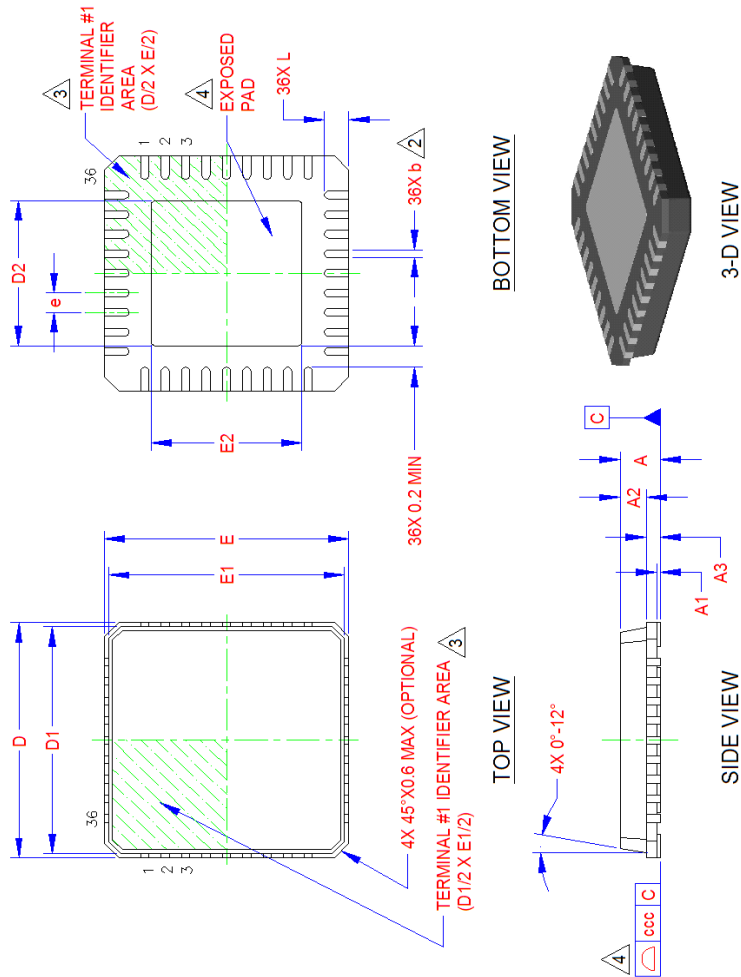
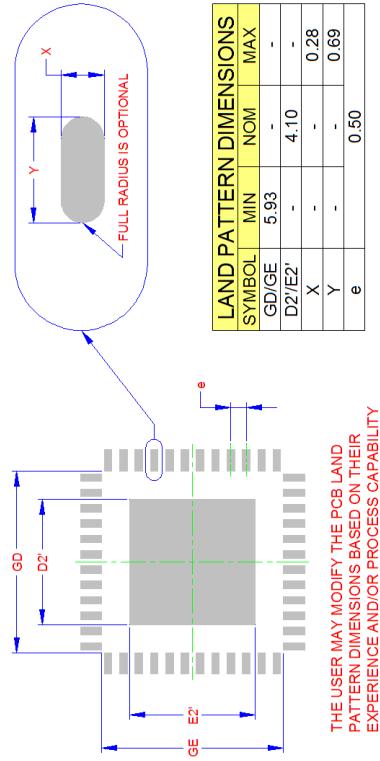


Figure 11.1 36-Pin QFN, 6x6 mm Body, 0.5 mm Pitch



LAND PATTERN DIMENSIONS				
SYMBOL	MIN	NOM	MAX	
GD/GE	5.93	-	-	-
D2/E2	-	4.10	-	-
X	-	-	0.28	-
Y	-	-	0.69	-
e	-	-	0.50	-

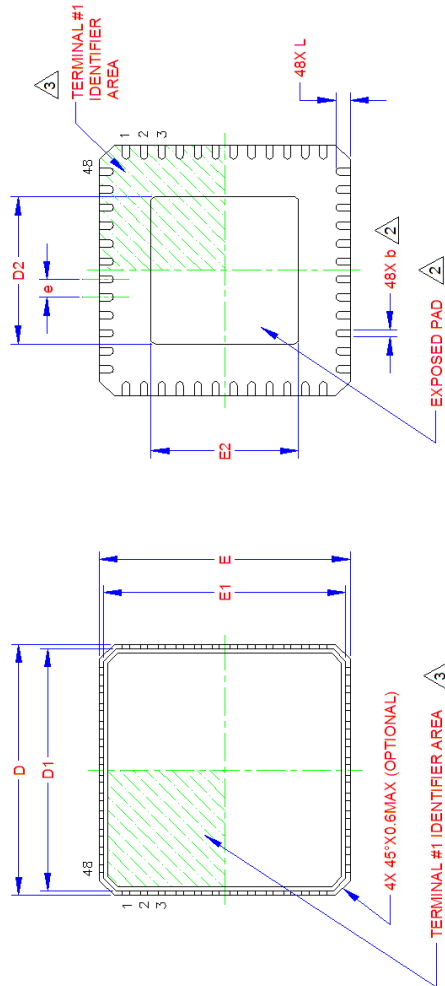
THE USER MAY MODIFY THE PCB LAND PATTERN DIMENSIONS BASED ON THEIR EXPERIENCE AND/OR PROCESS CAPABILITY

RECOMMENDED PCB LAND PATTERN

COMMON DIMENSIONS					
SYMBOL	MIN	NOM	MAX	NOTE	REMARK
A	0.70	-	1.00	-	OVERALL PACKAGE HEIGHT
A1	0	0.02	0.05	-	STANDOFF
A2	-	-	0.90	-	MOLD CAP THICKNESS
D/E	6.85	7.00	7.15	-	X/Y BODY SIZE
D1/E1	6.55	-	6.95	-	X/Y MOLD CAP SIZE
D2/E2	4.00	4.10	4.20	2	X/Y EXPOSED PAD SIZE
L	0.30	-	0.50	-	TERMINAL LENGTH
b	0.18	0.25	0.30	2	TERMINAL WIDTH
e	-	0.50 BSC	-	-	TERMINAL PITCH

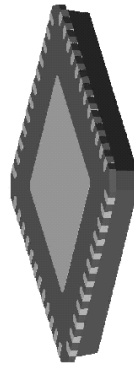
NOTES:

1. ALL DIMENSIONS ARE IN MILLIMETER.
2. POSITION TOLERANCE OF EACH TERMINAL AND EXPOSED PAD IS $\pm 0.05\text{mm}$ AT MAXIMUM MATERIAL CONDITION. DIMENSIONS "b" APPLIES TO PLATED TERMINALS AND IT IS MEASURED BETWEEN 0.15 AND 0.30 mm FROM THE TERMINAL TIP.
3. DETAILS OF TERMINAL #1 IDENTIFIER ARE OPTIONAL BUT MUST BE LOCATED WITHIN THE AREA INDICATED.

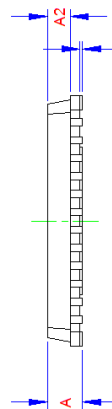


BOTTOM VIEW

TOP VIEW

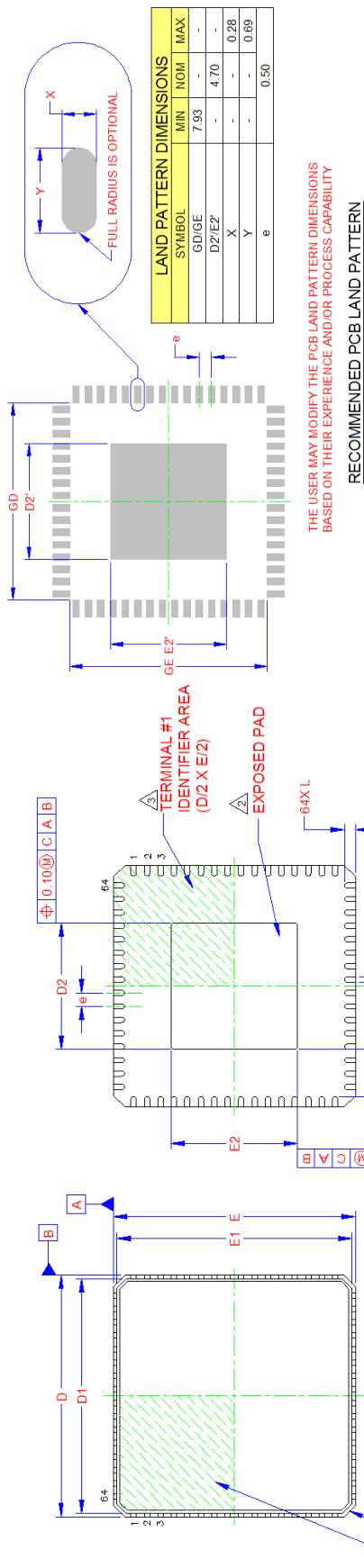


3-D VIEWS



SIDE VIEW

Figure 11.2 48-Pin QFN, 7x7 mm Body, 0.5 mm Pitch

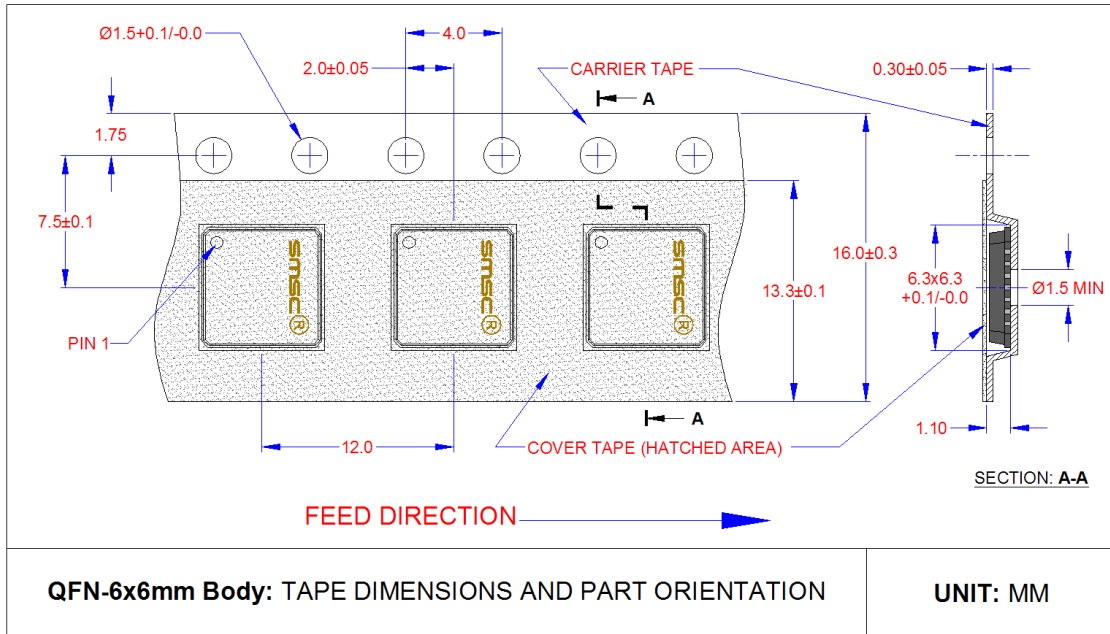


SYMBOL	MIN	NOM	MAX	NOTE	REMARK
A	0.80	0.85	1.00	-	OVERALL PACKAGE HEIGHT
A1	0	0.02	0.05	-	STANDOFF
A2	-	0.65	0.80	-	MOLD CAP THICKNESS
D/E	8.90	9.00	9.10	-	XY BODY SIZE
D1/E1	8.65	8.75	8.85	-	XY MOLD CAP SIZE
D2/E2	4.60	4.70	4.80	2	XY EXPOSED PAD SIZE
L	0.30	0.40	0.50	4	TERMINAL LENGTH
b	0.18	0.25	0.30	2	TERMINAL WIDTH
e	0.50 BSC			-	TERMINAL PITCH

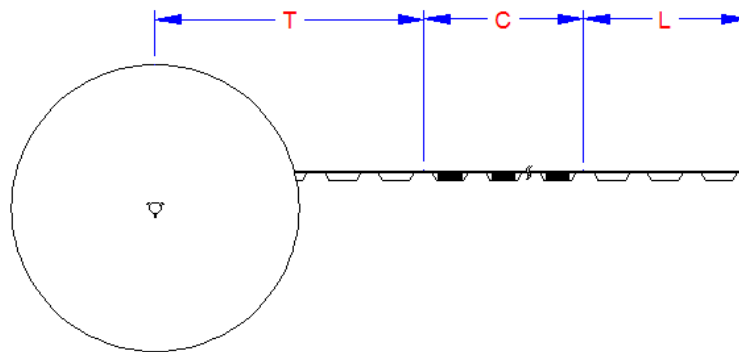
- NOTES:**
- ALL DIMENSIONS ARE IN MILLIMETER.
 - DIMENSIONS "b" APPLIES TO PLATED TERMINALS AND IT IS MEASURED BETWEEN 0.15 AND 0.30 mm FROM THE TERMINAL TIP
 - DETAILS OF TERMINAL #1 IDENTIFIER ARE OPTIONAL BUT MUST BE LOCATED WITHIN THE AREA INDICATED. THE TERMINAL #1 IDENTIFIER MAY BE EITHER A MOLD OR MARKED FEATURE.

Figure 11.3 64-Pin QFN, 9x9 mm Body, 0.5 mm Pitch

11.1 Tape and Reel Specifications

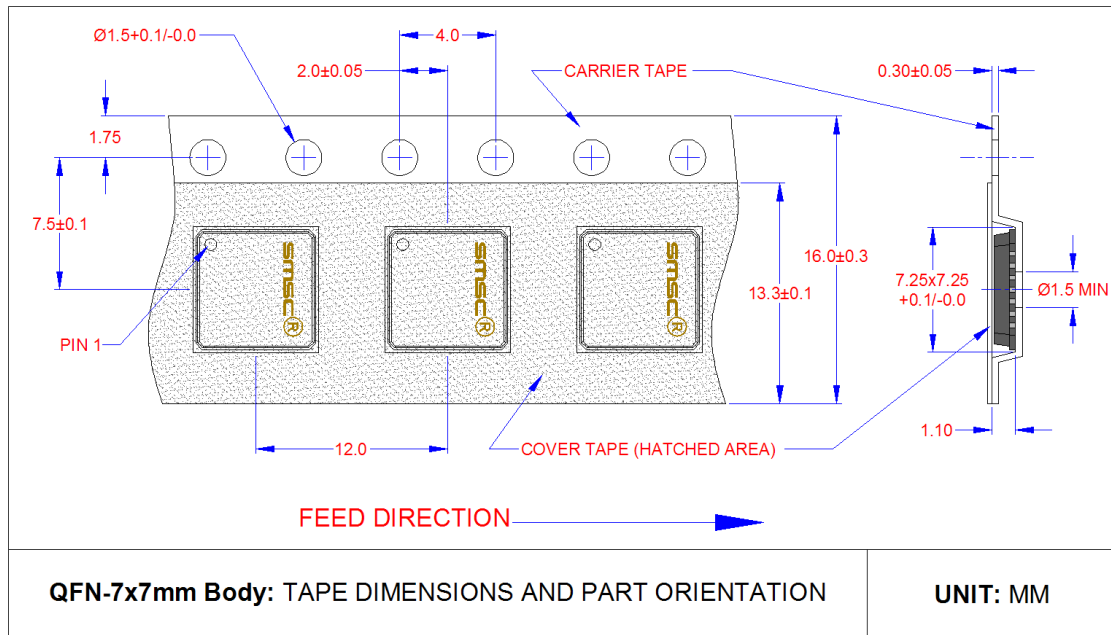


TAPE LENGTH & PART QUANTITY

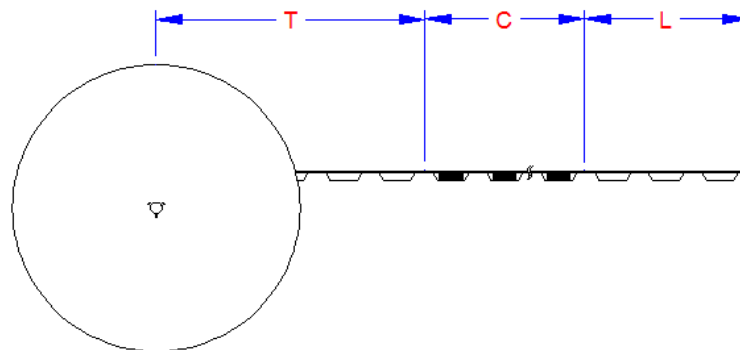


TAPE SECTIONS		
SECTION	SYM	SIZE
TRAILER	T	14 pockets (MIN)
COMPONENT	C	3000 components
LEADER	L	34 pockets (MIN)

Figure 11.4 36-Pin Package Tape Specifications



TAPE LENGTH & PART QUANTITY



TAPE SECTIONS		
SECTION	SYM	SIZE
TRAILER	T	14 pockets (MIN)
COMPONENT	C	3000 components
LEADER	L	34 pockets (MIN)

Figure 11.5 48-Pin Package Tape Specifications

REEL PHYSICAL DIMENSIONS

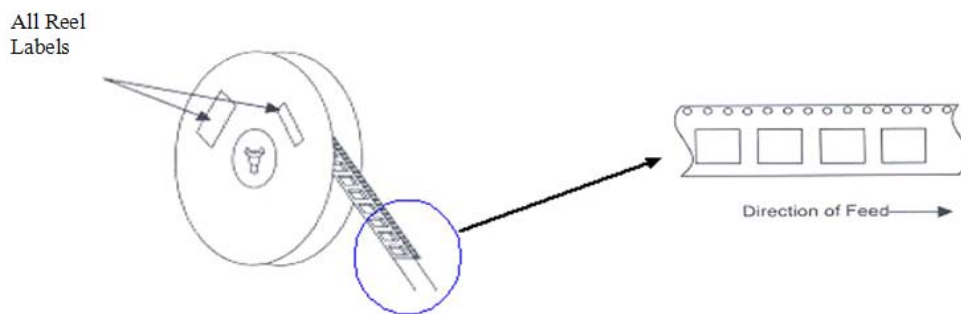
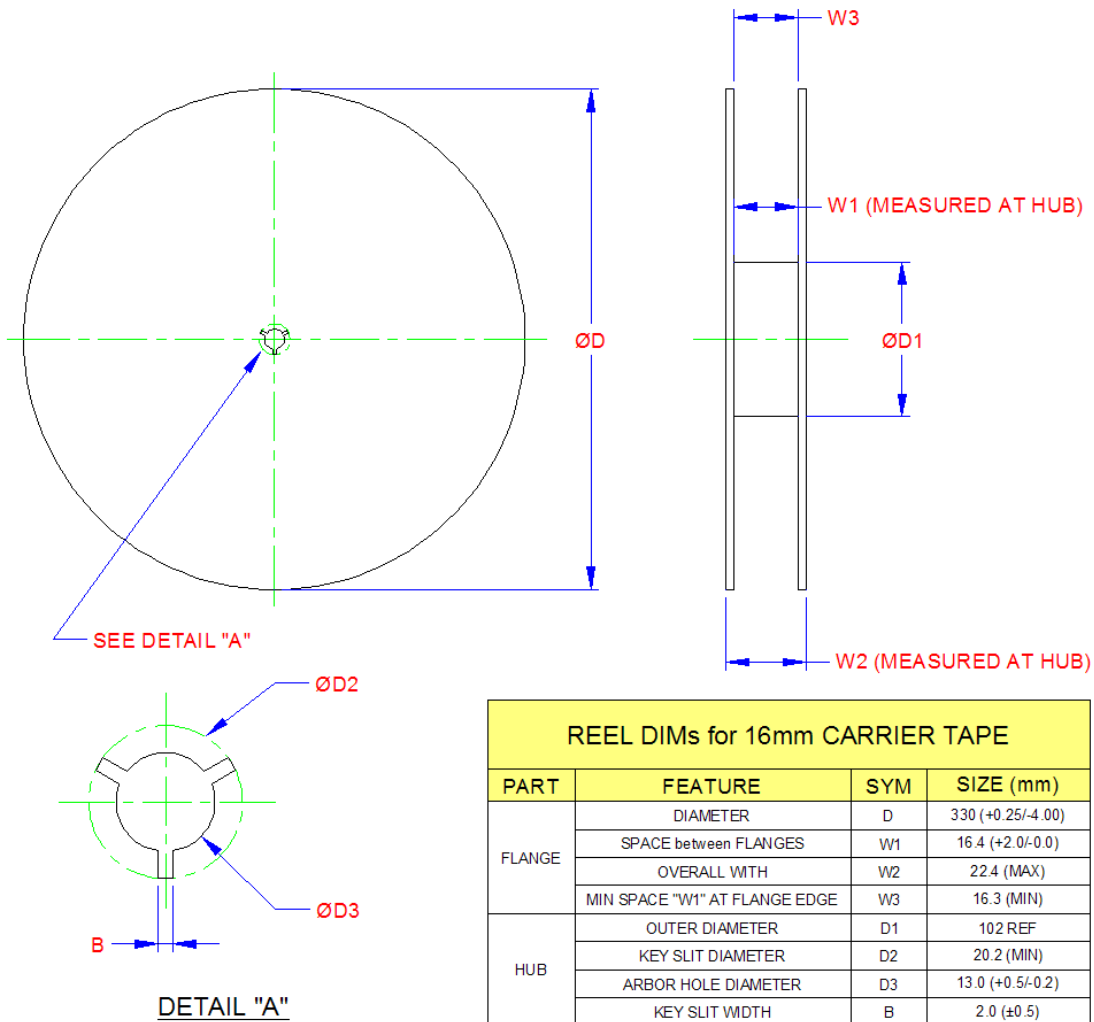


Figure 11.6 36-Pin and 48-Pin Package Reel Specifications



Компания «ЭлектроПласт» предлагает заключение долгосрочных отношений при поставках импортных электронных компонентов на взаимовыгодных условиях!

Наши преимущества:

- Оперативные поставки широкого спектра электронных компонентов отечественного и импортного производства напрямую от производителей и с крупнейших мировых складов;
- Поставка более 17-ти миллионов наименований электронных компонентов;
- Поставка сложных, дефицитных, либо снятых с производства позиций;
- Оперативные сроки поставки под заказ (от 5 рабочих дней);
- Экспресс доставка в любую точку России;
- Техническая поддержка проекта, помощь в подборе аналогов, поставка прототипов;
- Система менеджмента качества сертифицирована по Международному стандарту ISO 9001;
- Лицензия ФСБ на осуществление работ с использованием сведений, составляющих государственную тайну;
- Поставка специализированных компонентов (Xilinx, Altera, Analog Devices, Intersil, Interpoint, Microsemi, Aeroflex, Peregrine, Syfer, Eurofarad, Texas Instrument, Miteq, Cobham, E2V, MA-COM, Hittite, Mini-Circuits, General Dynamics и др.);

Помимо этого, одним из направлений компании «ЭлектроПласт» является направление «Источники питания». Мы предлагаем Вам помощь Конструкторского отдела:

- Подбор оптимального решения, техническое обоснование при выборе компонента;
- Подбор аналогов;
- Консультации по применению компонента;
- Поставка образцов и прототипов;
- Техническая поддержка проекта;
- Защита от снятия компонента с производства.



Как с нами связаться

Телефон: 8 (812) 309 58 32 (многоканальный)

Факс: 8 (812) 320-02-42

Электронная почта: org@eplast1.ru

Адрес: 198099, г. Санкт-Петербург, ул. Калинина, дом 2, корпус 4, литера А.