

Description

The ZR431 is a three terminal adjustable shunt regulator offering excellent temperature stability and output current handling capability up to 100mA. The output voltage may be set to any chosen voltage between 2.5 and 20 volts by selection of two external divider resistors.

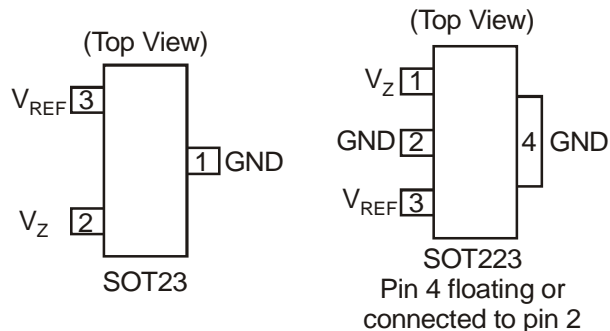
The devices can be used as a replacement for zener diodes in many applications requiring an improvement in zener performance.

Features

- Surface mount SOT223 and SOT23 packages
- 2%, 1 % and 0.5% tolerance
- Max. temperature coefficient 55 ppm/°C
- Temperature compensated for operation over the full temperature range
- Programmable output voltage
- 50µA to 100mA current sink capability
- Low output noise
- All package options available in “Green” Molding Compound (No Br, Sb) and Lead Free Finish/ RoHS Compliant (Note 1)

Notes: 1. EU Directive 2002/95/EC (RoHS). All applicable RoHS exemptions applied. Please visit our website at http://www.diodes.com/products/lead_free.html.

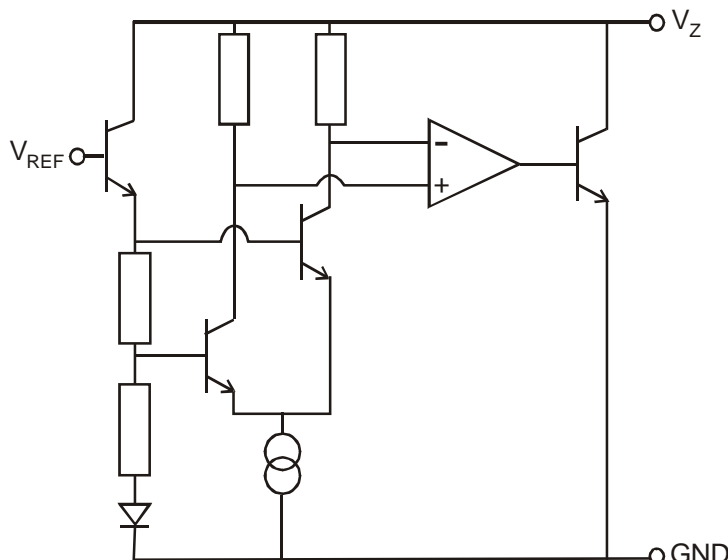
Pin Assignments



Applications

- Shunt regulator
- Series regulator
- Voltage monitor
- Over voltage/ under voltage protection
- Switch mode power supplies

Typical Application Circuit



Absolute Maximum Ratings (Note 2)

| Symbol | Parameter | Rating | Unit | |
|----------|--------------------------------|-------------|------|----|
| V_Z | Cathode Voltage | 20 | V | |
| I_Z | Cathode Current | 150 | mA | |
| T_A | Operating Temperature | -40 to +85 | °C | |
| T_{ST} | Storage Temperature | -55 to +125 | °C | |
| P_D | Power Dissipation (Notes 3, 4) | SOT23 | 330 | mW |
| | | SOT223 | 2 | W |

Notes: 2. Operation above the absolute maximum rating may cause device failure. Operation at the absolute maximum ratings, for extended periods, may reduce device reliability. Unless otherwise stated voltages specified are relative to the ANODE pin.
 3. T_J , max =150°C.
 4. Ratings apply to ambient temperature at 25°C.

Recommended Operating Conditions ($T_A = 25^\circ\text{C}$)

| Symbol | Parameter | Min | Max | Unit |
|--------|-----------------|-----------|-----|------|
| V_Z | Cathode Voltage | V_{REF} | 20 | V |
| I_Z | Cathode Current | 0.05 | 100 | mA |

Electrical Characteristics ($T_A = 25^\circ\text{C}$ unless otherwise specified)

| Symbol | Parameter | Test Conditions | Min | Typ. | Max | Unit | |
|-------------------------------------|---|--|-----------------------------|-------|------|---------------|---|
| V_{REF} | Reference voltage (Note 5) | $I_L = 10\text{mA}$ (Fig 1), $V_Z = V_{REF}$ | 2% | 2.45 | 2.50 | 2.55 | V |
| | | | 1% | 2.475 | 2.50 | 2.525 | |
| | | | 0.5% | 2.487 | 2.50 | 2.513 | |
| V_{DEV} | Deviation of reference input voltage over temperature | $I_L = 10\text{mA}$, $V_Z = V_{REF}$ $T_A = \text{Full range}$ (Fig 1) | | 8.0 | 17 | mV | |
| $\frac{\Delta V_{REF}}{\Delta V_Z}$ | Ratio of the change in reference voltage to the change in cathode voltage | $I_L = 10\text{mA}$ (Fig 2) | V_Z from V_{REF} to 10V | -1.85 | -2.7 | mV/V | |
| | | | V_Z from 10V to 20V | -1.0 | -2.0 | | |
| I_{REF} | Reference input current | $R1 = 10\text{k}$, $R2 = \text{O/C}$, $I_L = 10\text{mA}$ (Fig 2) | | 0.12 | 1.0 | μA | |
| ΔI_{REF} | Deviation of reference input current over temperature | $R1 = 10\text{k}$, $R2 = \text{O/C}$, $I_L = 10\text{mA}$ $T_A = \text{Full range}$ (Fig 2) | | 0.04 | 0.2 | μA | |
| $I_{Z(MIN)}$ | Minimum cathode current for regulation | $V_Z = V_{REF}$ (Fig 1) | | 35 | 50 | μA | |
| $I_{Z(OFF)}$ | Off-state current | $V_Z = 20\text{V}$, $V_{REF} = 0\text{V}$ (Fig 3) | | | 0.1 | μA | |
| R_Z | Dynamic output impedance | $V_Z = V_{REF}$ (Fig 1), $f = 0\text{Hz}$ | | | 0.75 | Ω | |

Note 5: 0.5% and 1% SOT23 only

For definitions of reference voltage temperature coefficient and dynamic output impedance see NOTES following DC TEST CIRCUITS

DC Test Circuits

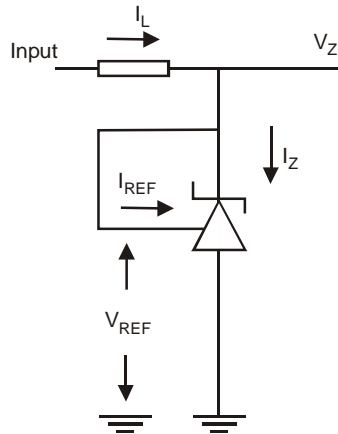


Fig. 1 Test Circuit for $V_Z = V_{REF}$

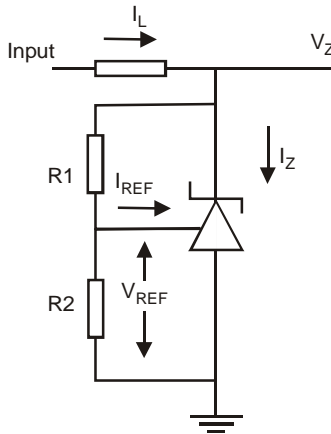


Fig. 2 Test Circuit for $V_Z > V_{REF}$

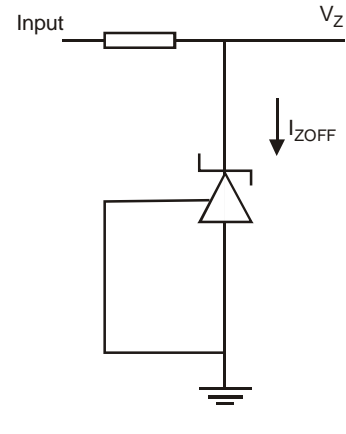
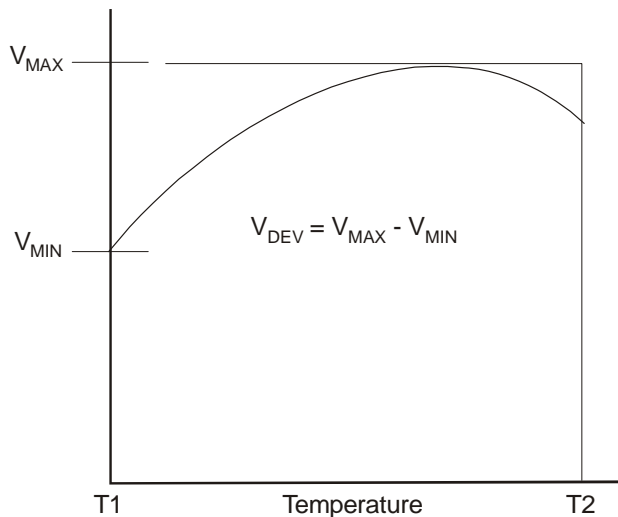


Fig. 3 Test Circuit for Off State Current

Deviation of reference input voltage, V_{DEV} , is defined as the maximum variation of the reference input voltage over the full temperature range.

The average temperature coefficient of the reference input voltage, V_{REF} is defined as:



$$V_{ref} (\text{ppm}/^{\circ}\text{C}) = \frac{V_{dev} \times 1000000}{V_{ref} (T1 - T2)}$$

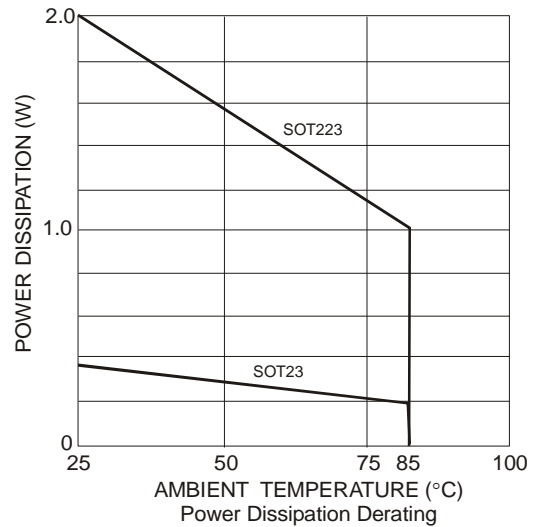
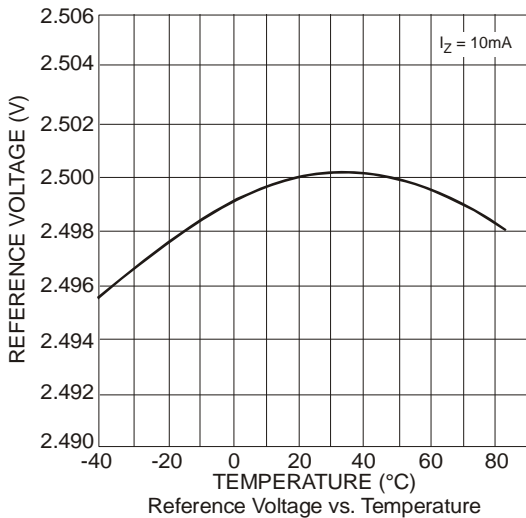
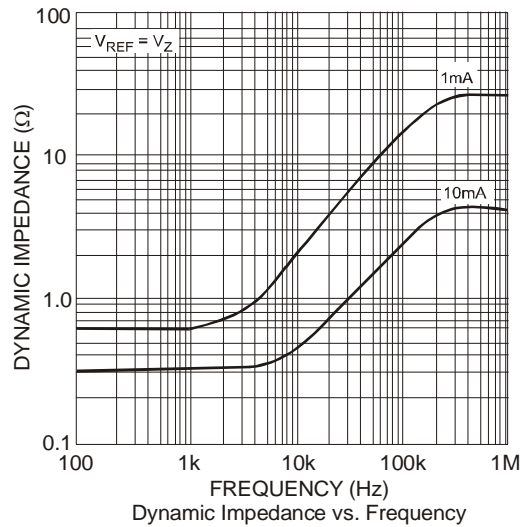
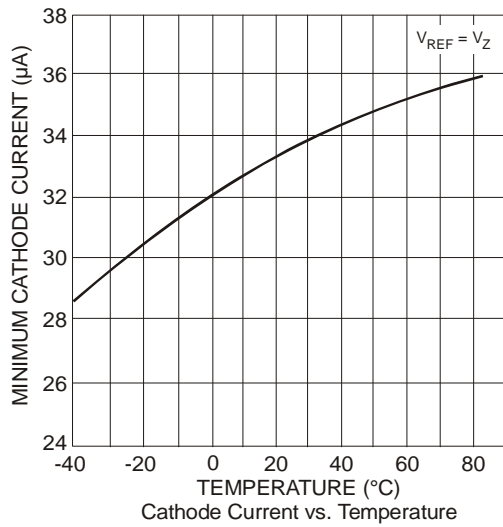
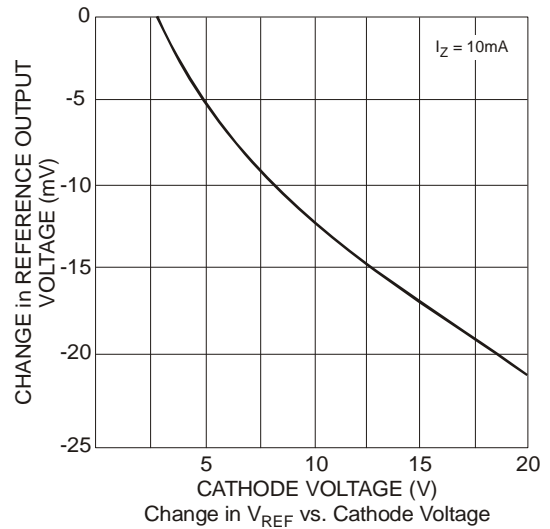
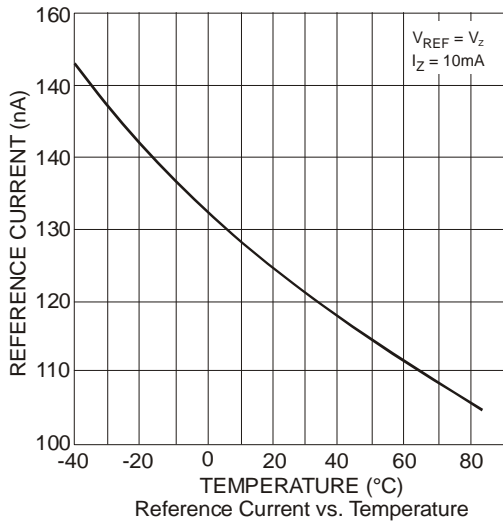
The dynamic output impedance, R_Z is defined as:

$$R_Z = \frac{\Delta V_Z}{\Delta I_Z}$$

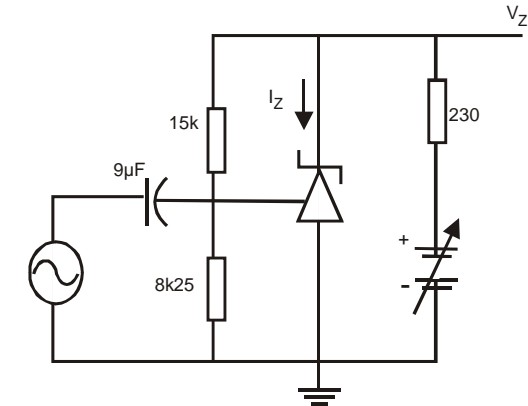
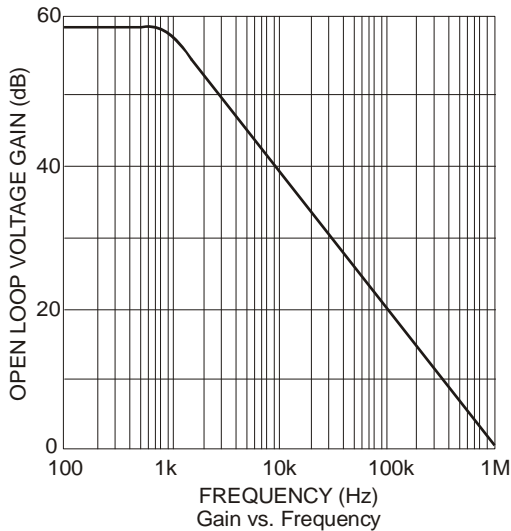
When the device is programmed with two external resistors, $R1$ and $R2$, (Fig 2), the dynamic output impedance of the overall circuit, R' , is defined as:

$$R' = R_Z \left(1 + \frac{R1}{R2} \right)$$

Typical Characteristics

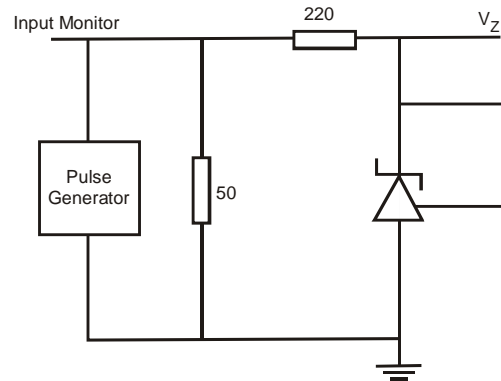
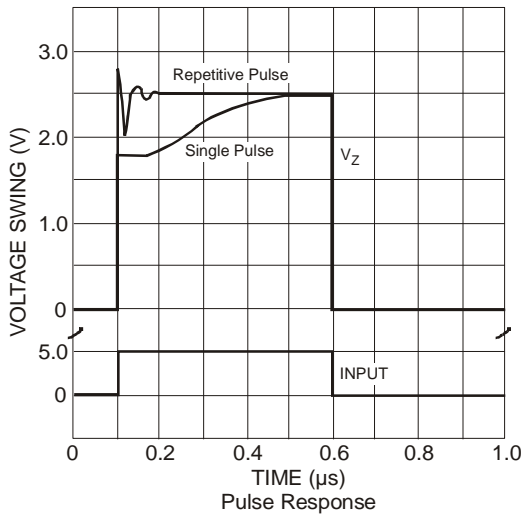


Typical Characteristics (cont.)



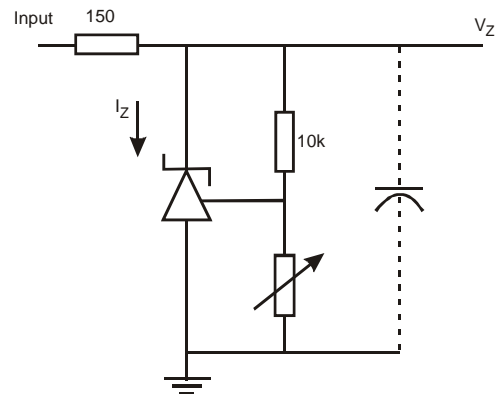
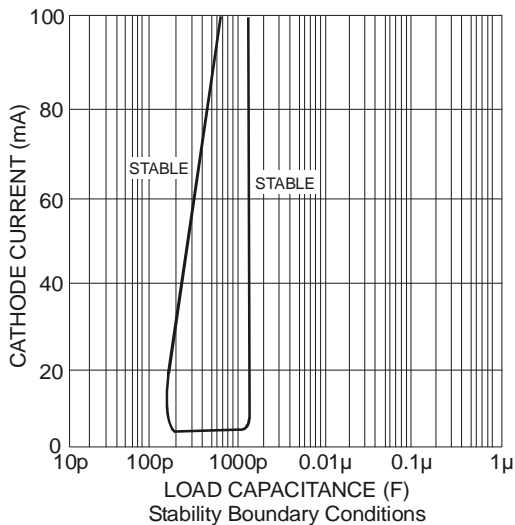
$I_Z = 10\text{mA}$, $T_A = 25^\circ\text{C}$

Test Circuit for Open Loop Voltage Gain



$T_A = 25^\circ\text{C}$

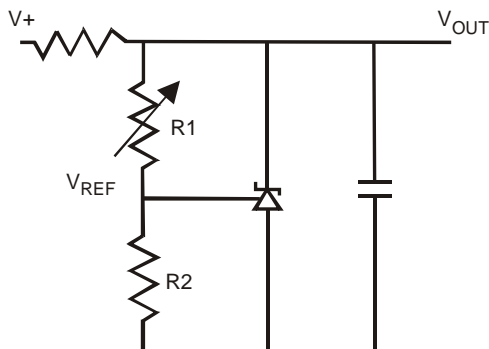
Test Circuit for Pulse Response



$V_{REF} < V_Z < 20$, $I_Z = 10\text{mA}$, $T_A = 25^\circ\text{C}$

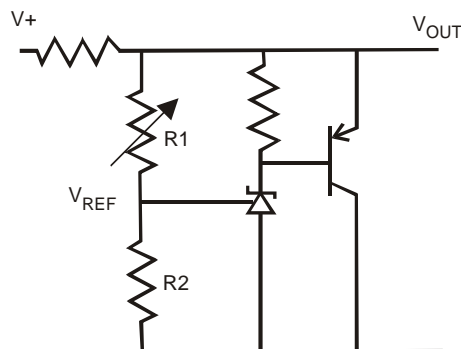
Test Circuit for Stability Boundary Conditions

Application Characteristics



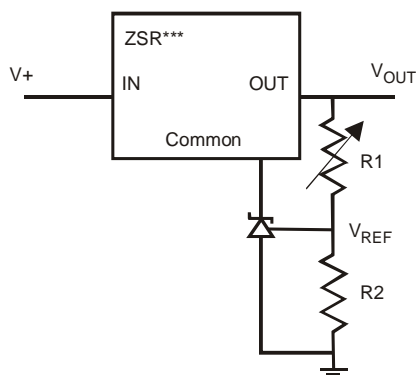
$$V_{OUT} = \left(1 + \frac{R1}{R2}\right) V_{REF}$$

SHUNT REGULATOR



$$V_{OUT} = \left(1 + \frac{R1}{R2}\right) V_{REF}$$

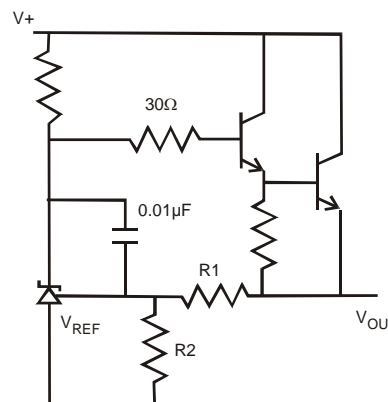
HIGHER CURRENT SHUNT REGULATOR



$$V_{OUT(MIN)} = V_{REF} + V_{REG}$$

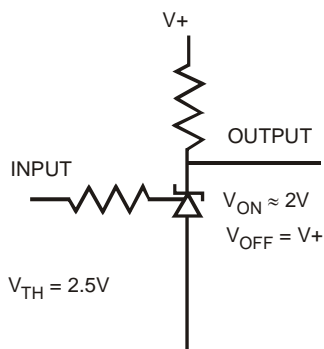
$$V_{OUT} = \left(1 + \frac{R1}{R2}\right) V_{REF}$$

OUTPUT CONTROL OF A THREE TERMINAL FIXED REGULATOR

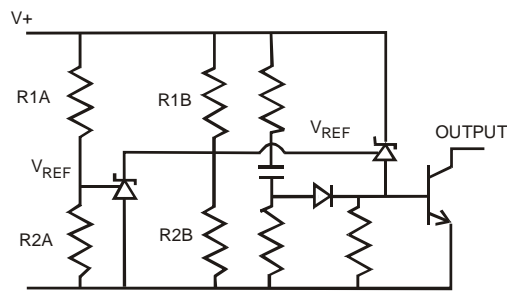


$$V_{OUT} = \left(1 + \frac{R1}{R2}\right) V_{REF}$$

SERIES REGULATOR



SINGLE SUPPLY COMPARATOR WITH TEMPERATURE COMPENSATED THRESHOLD

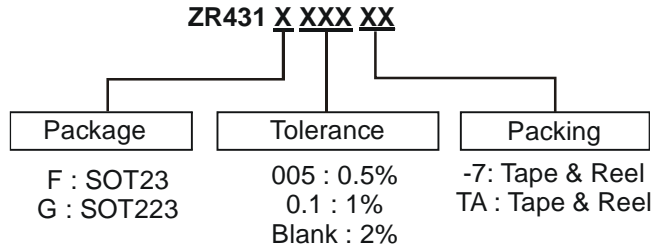








$$\text{Low limit} + \left(1 + \frac{R1B}{R2B}\right) V_{REF}$$

$$\text{High limit} + \left(1 + \frac{R1A}{R2A}\right) V_{REF}$$

OVER VOLTAGE/UNDER VOLTAGE PROTECTION CIRCUIT

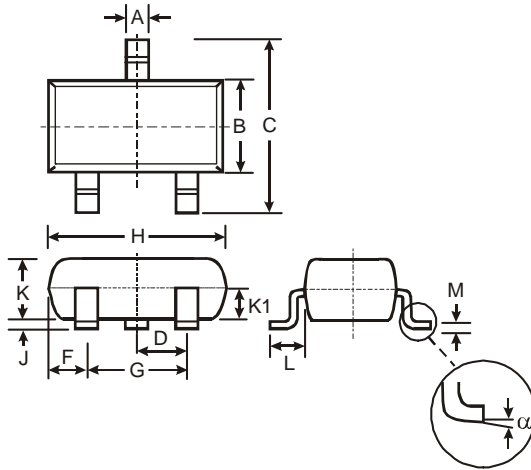
Ordering Information



| Device | Tolerance | Package Code | Part Mark | Packaging | 7" Tape and Reel | |
|---|-----------|--------------|-----------|-----------|------------------|--------------------|
| | | | | | Quantity | Part Number Suffix |
| ZR431F005-7  | 0.5% | F | 43R | SOT23 | 3000/Tape & Reel | -7 |
| ZR431F005TA  | 0.5% | F | 43R | SOT23 | 3000/Tape & Reel | TA |
| ZR431F01-7  | 1% | F | 43B | SOT23 | 3000/Tape & Reel | -7 |
| ZR431F01TA  | 1% | F | 43B | SOT23 | 3000/Tape & Reel | TA |
| ZR431FTA  | 2% | F | 43A | SOT23 | 3000/Tape & Reel | TA |
| ZR431GTA  | 2% | G | ZR431 | SOT223 | 1000/Tape & Reel | TA |

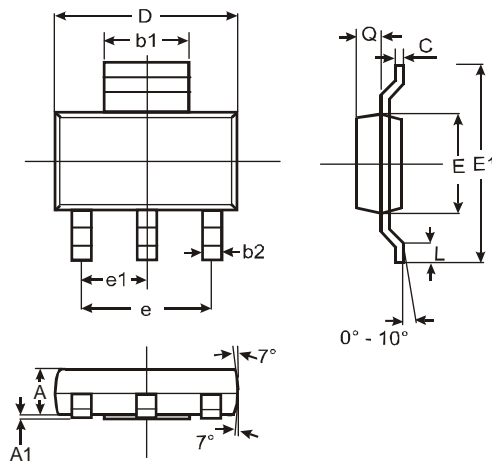
Package Outline Dimensions (All Dimensions in mm)

(1) Package Type: SOT23



| SOT23 | | | |
|----------------------|-------|------|-------|
| Dim | Min | Max | Typ |
| A | 0.37 | 0.51 | 0.40 |
| B | 1.20 | 1.40 | 1.30 |
| C | 2.30 | 2.50 | 2.40 |
| D | 0.89 | 1.03 | 0.915 |
| F | 0.45 | 0.60 | 0.535 |
| G | 1.78 | 2.05 | 1.83 |
| H | 2.80 | 3.00 | 2.90 |
| J | 0.013 | 0.10 | 0.05 |
| K | 0.903 | 1.10 | 1.00 |
| K1 | - | - | 0.400 |
| L | 0.45 | 0.61 | 0.55 |
| M | 0.085 | 0.18 | 0.11 |
| α | 0° | 8° | - |
| All Dimensions in mm | | | |

(2) Package Type: SOT223



| SOT223 | | | |
|----------------------|-------|------|------|
| Dim | Min | Max | Typ |
| A | 1.55 | 1.65 | 1.60 |
| A1 | 0.010 | 0.15 | 0.05 |
| b1 | 2.90 | 3.10 | 3.00 |
| b2 | 0.60 | 0.80 | 0.70 |
| C | 0.20 | 0.30 | 0.25 |
| D | 6.45 | 6.55 | 6.50 |
| E | 3.45 | 3.55 | 3.50 |
| E1 | 6.90 | 7.10 | 7.00 |
| e | — | — | 4.60 |
| e1 | — | — | 2.30 |
| L | 0.85 | 1.05 | 0.95 |
| Q | 0.84 | 0.94 | 0.89 |
| All Dimensions in mm | | | |

IMPORTANT NOTICE

DIODES INCORPORATED MAKES NO WARRANTY OF ANY KIND, EXPRESS OR IMPLIED, WITH REGARDS TO THIS DOCUMENT, INCLUDING, BUT NOT LIMITED TO, THE IMPLIED WARRANTIES OF MERCHANTABILITY AND FITNESS FOR A PARTICULAR PURPOSE (AND THEIR EQUIVALENTS UNDER THE LAWS OF ANY JURISDICTION).

Diodes Incorporated and its subsidiaries reserve the right to make modifications, enhancements, improvements, corrections or other changes without further notice to this document and any product described herein. Diodes Incorporated does not assume any liability arising out of the application or use of this document or any product described herein; neither does Diodes Incorporated convey any license under its patent or trademark rights, nor the rights of others. Any Customer or user of this document or products described herein in such applications shall assume all risks of such use and will agree to hold Diodes Incorporated and all the companies whose products are represented on Diodes Incorporated website, harmless against all damages.

Diodes Incorporated does not warrant or accept any liability whatsoever in respect of any products purchased through unauthorized sales channel.

Should Customers purchase or use Diodes Incorporated products for any unintended or unauthorized application, Customers shall indemnify and hold Diodes Incorporated and its representatives harmless against all claims, damages, expenses, and attorney fees arising out of, directly or indirectly, any claim of personal injury or death associated with such unintended or unauthorized application.

Products described herein may be covered by one or more United States, international or foreign patents pending. Product names and markings noted herein may also be covered by one or more United States, international or foreign trademarks.

LIFE SUPPORT

Diodes Incorporated products are specifically not authorized for use as critical components in life support devices or systems without the express written approval of the Chief Executive Officer of Diodes Incorporated. As used herein:

A. Life support devices or systems are devices or systems which:

1. are intended to implant into the body, or
2. support or sustain life and whose failure to perform when properly used in accordance with instructions for use provided in the labeling can be reasonably expected to result in significant injury to the user.

B. A critical component is any component in a life support device or system whose failure to perform can be reasonably expected to cause the failure of the life support device or to affect its safety or effectiveness.

Customers represent that they have all necessary expertise in the safety and regulatory ramifications of their life support devices or systems, and acknowledge and agree that they are solely responsible for all legal, regulatory and safety-related requirements concerning their products and any use of Diodes Incorporated products in such safety-critical, life support devices or systems, notwithstanding any devices- or systems-related information or support that may be provided by Diodes Incorporated. Further, Customers must fully indemnify Diodes Incorporated and its representatives against any damages arising out of the use of Diodes Incorporated products in such safety-critical, life support devices or systems.

Copyright © 2011, Diodes Incorporated

www.diodes.com



Компания «ЭлектроПласт» предлагает заключение долгосрочных отношений при поставках импортных электронных компонентов на взаимовыгодных условиях!

Наши преимущества:

- Оперативные поставки широкого спектра электронных компонентов отечественного и импортного производства напрямую от производителей и с крупнейших мировых складов;
- Поставка более 17-ти миллионов наименований электронных компонентов;
- Поставка сложных, дефицитных, либо снятых с производства позиций;
- Оперативные сроки поставки под заказ (от 5 рабочих дней);
- Экспресс доставка в любую точку России;
- Техническая поддержка проекта, помощь в подборе аналогов, поставка прототипов;
- Система менеджмента качества сертифицирована по Международному стандарту ISO 9001;
- Лицензия ФСБ на осуществление работ с использованием сведений, составляющих государственную тайну;
- Поставка специализированных компонентов (Xilinx, Altera, Analog Devices, Intersil, Interpoint, Microsemi, Aeroflex, Peregrine, Syfer, Eurofarad, Texas Instrument, Miteq, Cobham, E2V, MA-COM, Hittite, Mini-Circuits, General Dynamics и др.);

Помимо этого, одним из направлений компании «ЭлектроПласт» является направление «Источники питания». Мы предлагаем Вам помощь Конструкторского отдела:

- Подбор оптимального решения, техническое обоснование при выборе компонента;
- Подбор аналогов;
- Консультации по применению компонента;
- Поставка образцов и прототипов;
- Техническая поддержка проекта;
- Защита от снятия компонента с производства.



Как с нами связаться

Телефон: 8 (812) 309 58 32 (многоканальный)

Факс: 8 (812) 320-02-42

Электронная почта: org@eplast1.ru

Адрес: 198099, г. Санкт-Петербург, ул. Калинина, дом 2, корпус 4, литера А.