



Industrial USB Plugs and Receptacles

- 84727** Plug, Type-A
- 84728** Plug, Type-B
- 84729** Receptacle, Type-A
- 84730** Receptacle, Type-B
- 84732** Double-Ended Cordset



Top, Left to right: Double-Ended Cordset, USB Type-B Plug to Type-A Plug (84732)

Bottom: USB Type-B Panel Mount PCB Receptacle (84730)

Industrial USB connectors bring one of the most popular and convenient I/O connectors into harsh commercial and industrial environments

Molex's sealed, industrial Universal Serial Bus (USB) connectors are ideal for industrial and harsh commercial applications, where a secure and robust connection is required. The rugged, plug and receptacle designs feature bayonet-style latches, encapsulated PCB receptacles and overmolded cable assemblies to help keep out dust, debris and water.

Many industrial devices and networks use a direct interface to a PC for programming, monitoring, data collection and diagnostics of the industrial bus. USB connectors are ideal for both short-term diagnostics that require simple and fast setup, and permanent

installations for data acquisition systems. Once software has been installed, USB plugs and receptacles can be quickly connected and disconnected from various devices without having to turn off computers or equipment.

High performance results and ease-of-use make industrial USB from Molex a valuable solution for a variety of harsh environment applications.

For more information on Industrial USB Plugs and Receptacles, please visit: www.molex.com/product/industrialusb.html.

Features and Benefits

- IP 67 and NEMA 6P ratings ensure cordsets are water and dust tight for functional integrity
- Overmolded cordsets allow for faster installation at customer site versus field-wireable designs
- Bayonet-style latch receptacle provides quick and easy connection and ensures proper insertion depth with mating
- Cordsets available in varied lengths up to 5.00m (16.40') which allows customers to choose the length convenient for their specific application
- Fully shielded cable provides Electro Magnetic Interference/Radio Frequency Interference (EMI/RFI) protection

SPECIFICATIONS

Reference Information

Packaging: Bag

Mates with: 84727 mates with 84729

84728 mates with 84730

84732 mates with 84729/84730

Minimum Order Qty.: 10

Standard Pack Size: 1

Electrical

Voltage: 30V

Current: 1.0A

Contact Resistance: 30 milliohms max.

Dielectric Withstanding Voltage: 750V AC

Insulation Resistance: 1000 Megohms min.

Mechanical

Lock Nut Destructive Torque:

2.71 Nm (24.0 in. lb) min.

Coupling Ring Destructive Torque:

2.26 Nm (20.0 in. lb) min.

Mating Force: 35N (7.87 lbf) max.

Withdrawal Force: 10N (2.25 lbf) min.

Durability: 1000 mating cycles

Physical

Receptacle Housing: PBT, Black

Overmolding: PVC, Black

Contact: Copper Alloy

Plating: Contact Area - 0.75µm (30µ") Gold (Au)
Screw - Nickel

Gasket Seal: Nitrile, Black

Coupling Ring: PBT, Black

Lock Nut: PBT, Black

Screw: Brass

Dust Cap: PBT, Black

Tether: PP or PE, Black

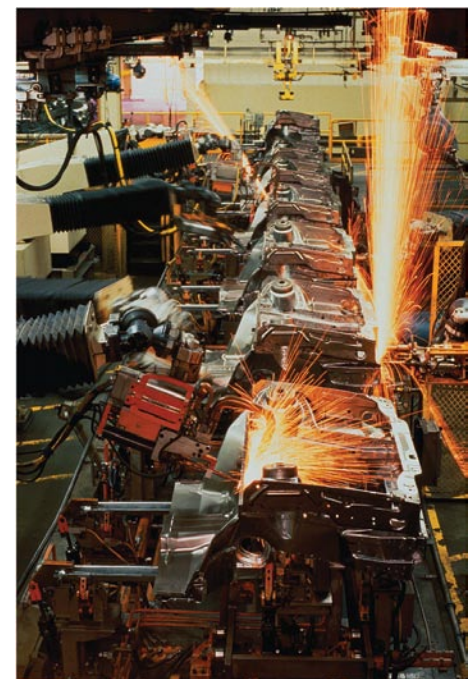
Operating Temperature: 0 to +70°C

RoHS Compliant: Yes

Flammability: UL 94V-0

Performance: USB 2.0

Industrial Seal Rating: NEMA 6P and IP 67



APPLICATIONS



Industrial USB Plugs and Receptacles

- Factory Automation
 - Industrial Computers
 - Industrial Controllers
 - Factory Peripherals
 - Printers
 - Barcode Scanners
- Robotics
- Vision Systems
- Motion and Process Controls
- Test and Measurement Equipment
- Medical Devices
- Factory Networking Installations
- Production Equipment



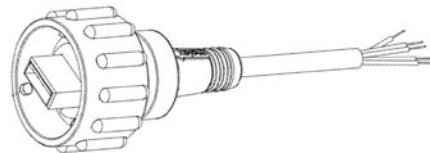
Test and Measurement Equipment

- 84727** Plug, Type-A
- 84728** Plug, Type-B
- 84729** Receptacle, Type-A
- 84730** Receptacle, Type-B
- 84732** Double-Ended Cordset

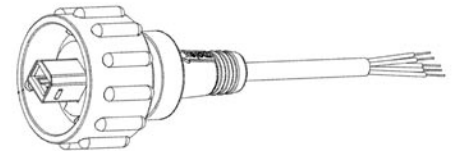
ORDERING INFORMATION

USB Plug, Shielded Pigtail

| USB Type-A Order No. | USB Type-B Order No. | Length |
|-------------------------|-------------------------|-----------------|
| 84727-1002 | 84728-1002 | 1.50m (4.921') |
| 84727-1001 | 84728-1001 | 2.00m (6.561') |
| 84727-1003 | 84728-1003 | 3.00m (9.842') |
| 84727-1004 | 84728-1004 | 5.00m (16.404') |
| 84727-1005 | 84728-1005 | 0.15m (.492') |



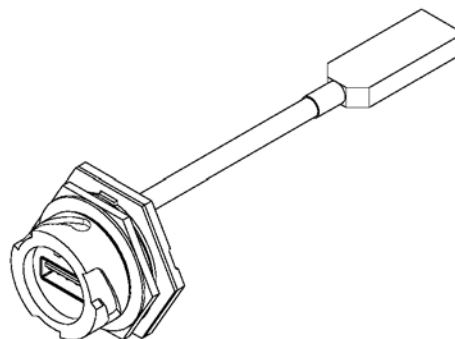
USB Type-A Plug to Pigtail



USB Type-B Plug to Pigtail

USB Type-A Panel Mount Receptacle to Standard USB Type-A Plug Cordset

| Order No. | Length |
|------------|-----------------|
| 84729-0003 | 0.152m (.498') |
| 84729-0004 | 0.80m (2.624') |
| 84729-0005 | 1.50m (4.921') |
| 84729-0006 | 2.00m (6.561') |
| 84729-0007 | 3.00m (9.842') |
| 84729-0008 | 5.00m (16.404') |



USB Type-A Panel Mount Receptacle to Standard USB Type-A Plug Cordset (Series 84729)

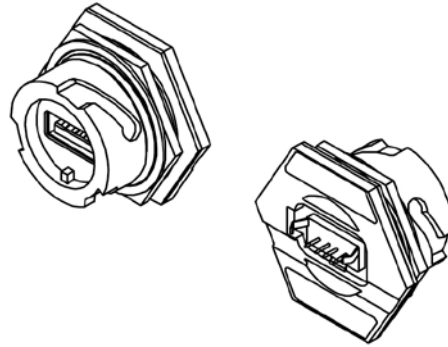


Industrial USB Plugs and Receptacles

- 84727** Plug, Type-A
- 84728** Plug, Type-B
- 84729** Receptacle, Type-A
- 84730** Receptacle, Type-B
- 84732** Double-Ended Cordset

USB Panel Mount PCB Receptacle

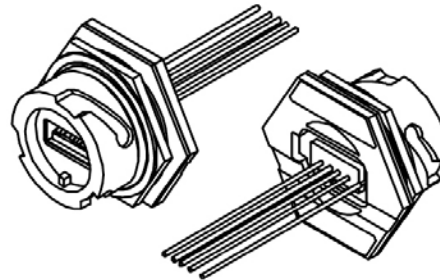
| Order No. | USB Type |
|------------|----------|
| 84729-0009 | A |
| 84730-0001 | B |



USB Type-A Panel Mount Receptacles with PCB tails (Series 84729)

USB Type-A Panel Mount Receptacle, 5-Circuit Pigtail

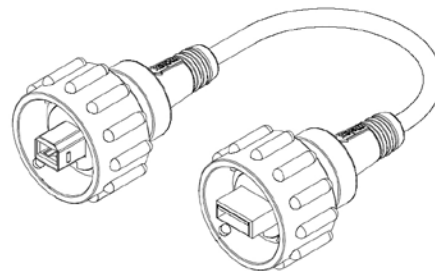
| Order No. | Length |
|------------|----------------|
| 84729-0001 | 0.152m (.498') |



USB Type-A Panel Mount Receptacles to 5-Circuit Pigtail (Series 84729)

USB Type-A Plug to USB Type-B Plug, Double-Ended Cordset

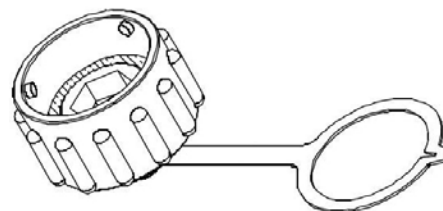
| Order No. | Length |
|------------|-----------------|
| 84732-0001 | 0.80m (2.624') |
| 84732-0002 | 1.50m (4.921') |
| 84732-0003 | 2.00m (6.561') |
| 84732-0004 | 3.00m (9.842') |
| 84732-0005 | 5.00m (16.404') |



USB Type-B Plug to USB Type-A Plug Double-Ended Cordset (Series 84732)

Assembly Dust Cover

| Order No. |
|------------|
| 84700-0003 |



Dust Cover (Series 84700)

Americas Headquarters
Lisle, Illinois 60532 U.S.A.
1-800-78MOLEX
amerinfo@molex.com

Asia Pacific North Headquarters
Yamato, Kanagawa, Japan
81-462-65-2324
feninfo@molex.com

Asia Pacific South Headquarters
Jurong, Singapore
65-6268-6868
fesinfo@molex.com

European Headquarters
Munich, Germany
49-89-413092-0
eurinfo@molex.com

Corporate Headquarters
2222 Wellington Ct.
Lisle, IL 60532 U.S.A.
630-969-4550
Fax: 630-969-1352

Visit our website at www.molex.com/product/industrialusb.html



Компания «ЭлектроПласт» предлагает заключение долгосрочных отношений при поставках импортных электронных компонентов на взаимовыгодных условиях!

Наши преимущества:

- Оперативные поставки широкого спектра электронных компонентов отечественного и импортного производства напрямую от производителей и с крупнейших мировых складов;
- Поставка более 17-ти миллионов наименований электронных компонентов;
- Поставка сложных, дефицитных, либо снятых с производства позиций;
- Оперативные сроки поставки под заказ (от 5 рабочих дней);
- Экспресс доставка в любую точку России;
- Техническая поддержка проекта, помощь в подборе аналогов, поставка прототипов;
- Система менеджмента качества сертифицирована по Международному стандарту ISO 9001;
- Лицензия ФСБ на осуществление работ с использованием сведений, составляющих государственную тайну;
- Поставка специализированных компонентов (Xilinx, Altera, Analog Devices, Intersil, Interpoint, Microsemi, Aeroflex, Peregrine, Syfer, Eurofarad, Texas Instrument, Miteq, Cobham, E2V, MA-COM, Hittite, Mini-Circuits, General Dynamics и др.);

Помимо этого, одним из направлений компании «ЭлектроПласт» является направление «Источники питания». Мы предлагаем Вам помощь Конструкторского отдела:

- Подбор оптимального решения, техническое обоснование при выборе компонента;
- Подбор аналогов;
- Консультации по применению компонента;
- Поставка образцов и прототипов;
- Техническая поддержка проекта;
- Защита от снятия компонента с производства.



Как с нами связаться

Телефон: 8 (812) 309 58 32 (многоканальный)

Факс: 8 (812) 320-02-42

Электронная почта: org@eplast1.ru

Адрес: 198099, г. Санкт-Петербург, ул. Калинина, дом 2, корпус 4, литера А.