

PLEASE CHECK WWW.MOLEX.COM FOR LATEST PART INFORMATION

Part Number: [0526101672](#)
Status: **Active**
Overview:
Description: 1.00mm (.039") Pitch FFC/FPC Connector, SMT, Vertical, ZIF, Gold (Au) Contact Plating, 16 Circuits, Lead-free, High Barrier Packaging

Agency Certification

| | |
|-----|---------|
| CSA | LR19980 |
| UL | E29179 |

General

| | |
|----------------|--------------------|
| Product Family | FFC/FPC Connectors |
| Series | 52610 |
| Overview | ffc_fpc_smt |
| Product Name | N/A |

Physical

| | |
|--------------------------------|-----------------------|
| Circuits (Loaded) | 16 |
| Contact Position | N/A |
| Durability (mating cycles max) | 30 |
| Entry Angle | Vertical |
| Flammability | 94V-0 |
| Mated Height (in) | 0.226 In |
| Mated Height (mm) | 5.75 mm |
| Material - Metal | Phosphor Bronze |
| Material - Plating Mating | Gold |
| Material - Plating Termination | Tin |
| Material - Resin | Nylon |
| Number of Rows | 1 |
| Orientation | Vertical |
| PCB Locator | No |
| PCB Retention | None |
| Packaging Type | Embossed Tape on Reel |
| Pitch - Mating Interface (in) | 0.039 In |
| Pitch - Mating Interface (mm) | 1.00 mm |
| Polarized to PCB | No |
| Stackable | No |
| Temperature Range - Operating | -40°C to +85°C |
| Termination Interface: Style | Surface Mount |
| Wire/Cable Type | FFC/FPC |

Electrical

| | |
|-------------------------------|------------------|
| Current - Maximum per Contact | 1A |
| Voltage - Maximum | 125V AC (RMS)/DC |

Material Info

Reference - Drawing Numbers

| | |
|-------------------------|---|
| Packaging Specification | SPK-52610-001, SPK-52610-003 |
| Product Specification | PS-52610-007, RPS-52610-048, RPS-52610-052, RPS-52610-053, RPS-52610-058, RPS-52610-061 |
| Sales Drawing | SD-52610-036, SD-52610-037 |

EU RoHS
ELV and RoHS
Compliant
REACH SVHC
 Not Reviewed
Halogen-Free
Status
Not Reviewed

China RoHS

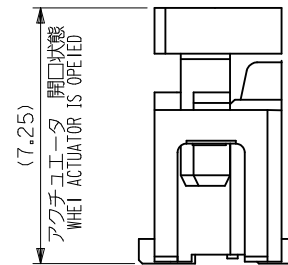
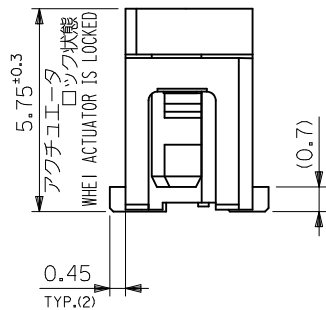
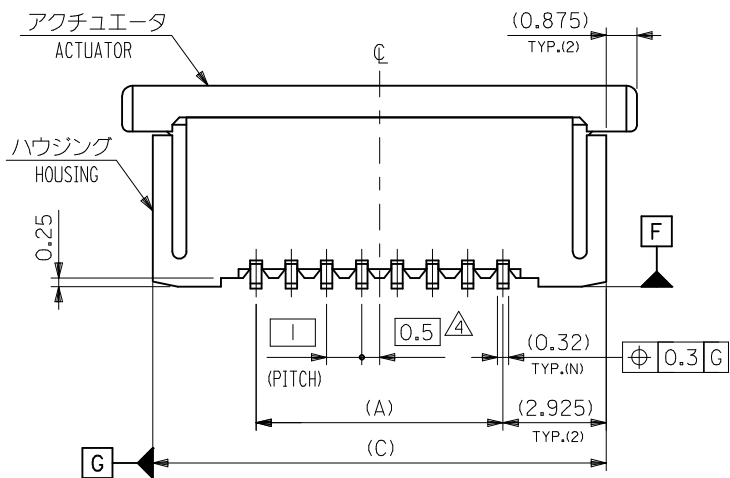
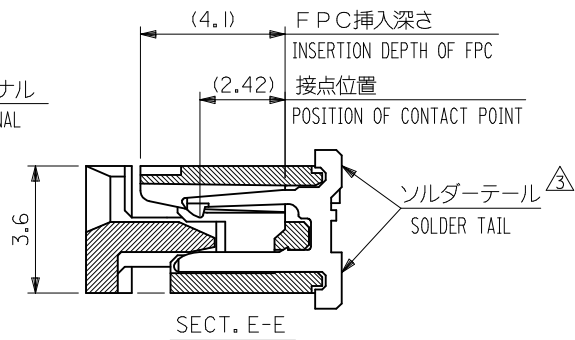
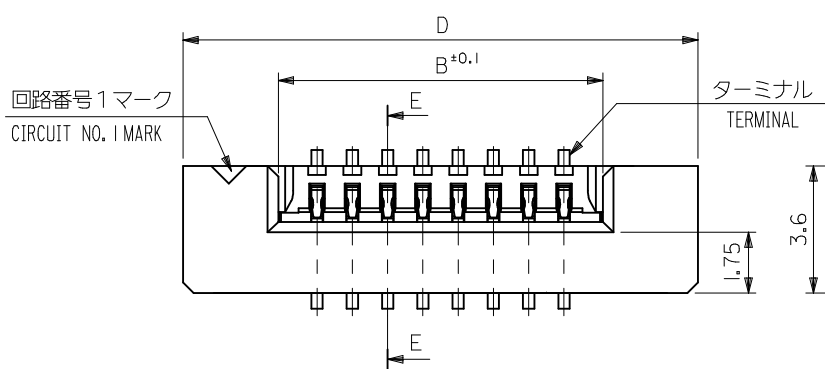


Need more information on product environmental compliance?

Email productcompliance@molex.com
 For a multiple part number RoHS Certificate of Compliance, [click here](#)

Please visit the [Contact Us](#) section for any non-product compliance questions.

Search Parts in this Series
[52610Series](#)



| | | | | | | | |
|--|---------------------------------------|--|----------------------------|---------------------------|--------------|---|---------------------|
| REVISED EC NO: J2009-2316 DRWN: CARIZONO 2009/04/20 CHKD: T. HARUYAMA 2009/04/20 APPR: NUKITA 2009/04/21 | GENERAL TOLERANCES (UNLESS SPECIFIED) | | DIMENSION STYLE MM ONLY | | SCALE --- | 52610-***15 | MODEL NO. |
| | 10 UNDER | ±0.2 | DRAWN BY M. NABEI | DATE '05/07/21 | TITLE | 1.0 FPC CONN ZIF FOR SMT ST -LEAD FREE- | |
| | 10 OVER 30 UNDER | ±0.25 | CHECKED BY K. TOYODA | DATE '05/07/21 | | MOLEX INCORPORATED | |
| | 30 OVER | ±0.3 | APPROVED BY N. UKITA | DATE '05/07/21 | | DOCUMENT NO. SD-52610-036 | SHEET NO. 1 OF 2 |
| | ANGULAR ±3 ° | DRAFT WHERE APPLICABLE MUST REMAIN WITHIN DIMENSIONS | | MATERIAL NO. SEE TABLE | | THIS DRAWING CONTAINS INFORMATION THAT IS PROPRIETARY TO MOLEX INCORPORATED AND SHOULD NOT BE USED WITHOUT WRITTEN PERMISSION | |

注記(NOTES) :

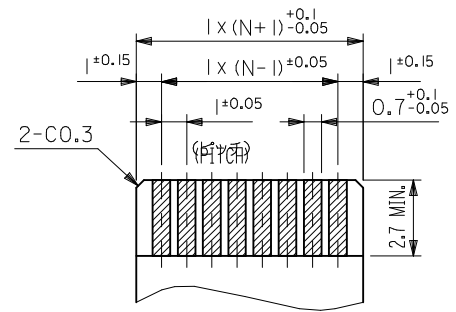
1. 材料(MATERIAL)
 ハウジング (HOUSING) : 46NYLON , UL94V-0
 アクチュエータ(ACTUATOR) : PPS , UL94V-0
 ターミナル(TERMINAL) : リン青銅 (tO. 32)

△ 偶数極に適用。
 APPLY FOR EVEN CIRCUIT.

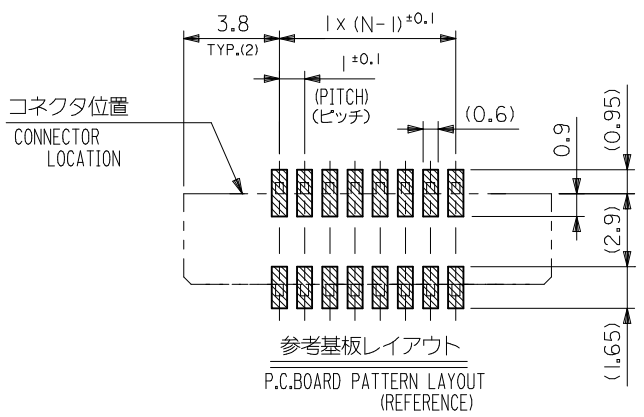
5. 本製品は 52610 シリーズの接点金メッキ品である。
 THIS PRODUCT IS Au-CONTACT OF 52610 SERIES.

PHOS-BRO
 接点部 : 金メッキ 0.1μm 以上
 テール部 : 錫メッキ 1μm 以上
 下地 : ニッケルメッキ 1μm 以上
 CONTACT : GOLD 0.1 MICROMETER MINIMUM
 TAIL : MATTE TIN 1 MICROMETER MINIMUM
 NICKEL : UNDER 1 MICROMETER MINIMUM

2. エンボステープ梱包時は、アクチュエータがロックした状態とする。
 IN THE PACKAGE, ACTUATOR OF PART NO. 52610-**59 SHOULD BE LOCKED.
 △ ソルダーテール半田付け面のズレ量は、基準面 [F] に対し上方向 0.05 MAX.
 下方向 0.15 MAX. とする。
 MISALIGNMENT OF SOLDER TAILS FROM [F] UPPER DIRECTION : 0.05 MAX.,
 LOWER DIRECTION : 0.15 MAX.



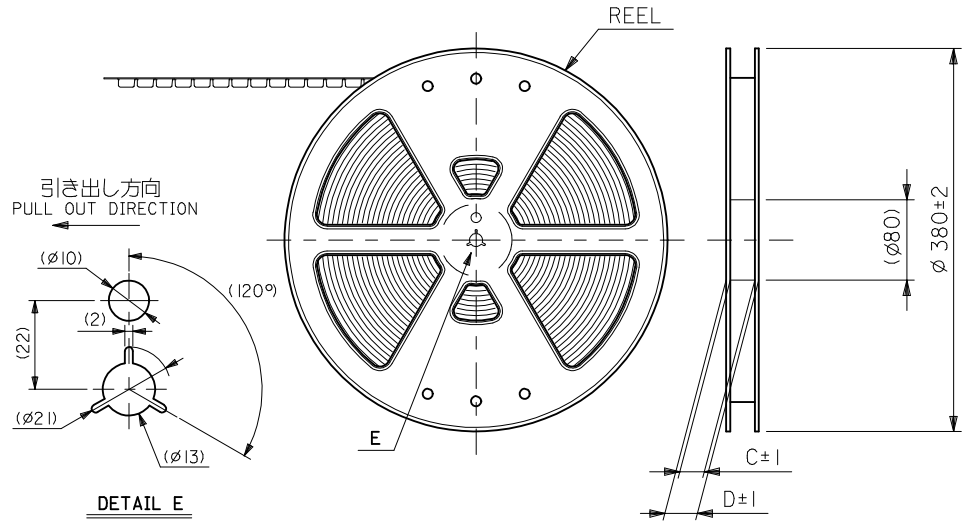
適合FPC推奨寸法
 APPLICABLE FPC RECOMMENDED DIM.
 仕上がり厚さ(THICKNESS) : 0.3 ±0.05



| | | | | | | | |
|------|-------|------|----|------------|------------|------------|----|
| 36.6 | 34.85 | 31.2 | 29 | 52610-3077 | 52610-3072 | 52610-3015 | 30 |
| 32.6 | 30.85 | 27.2 | 25 | 52610-2677 | 52610-2672 | 52610-2615 | 26 |
| 31.6 | 29.85 | 26.2 | 24 | 52610-2577 | 52610-2572 | 52610-2515 | 25 |
| 30.6 | 28.85 | 25.2 | 23 | 52610-2477 | 52610-2472 | 52610-2415 | 24 |
| 28.6 | 26.85 | 23.2 | 21 | 52610-2277 | 52610-2272 | 52610-2215 | 22 |
| 26.6 | 24.85 | 21.2 | 19 | 52610-2077 | 52610-2072 | 52610-2015 | 20 |
| 24.6 | 22.85 | 19.2 | 17 | 52610-1877 | 52610-1872 | 52610-1815 | 18 |
| 23.6 | 21.85 | 18.2 | 16 | 52610-1777 | 52610-1772 | 52610-1715 | 17 |
| 22.6 | 20.85 | 17.2 | 15 | 52610-1677 | 52610-1672 | 52610-1615 | 16 |
| 21.6 | 19.85 | 16.2 | 14 | 52610-1577 | 52610-1572 | 52610-1515 | 15 |
| 20.6 | 18.85 | 15.2 | 13 | 52610-1477 | 52610-1472 | 52610-1415 | 14 |
| 19.6 | 17.85 | 14.2 | 12 | 52610-1377 | 52610-1372 | 52610-1315 | 13 |
| 18.6 | 16.85 | 13.2 | 11 | 52610-1277 | 52610-1272 | 52610-1215 | 12 |
| 17.6 | 15.85 | 12.2 | 10 | 52610-1177 | 52610-1172 | 52610-1115 | 11 |
| 16.6 | 14.85 | 11.2 | 9 | 52610-1077 | 52610-1072 | 52610-1015 | 10 |
| 15.6 | 13.85 | 10.2 | 8 | 52610-0977 | 52610-0972 | 52610-0915 | 9 |
| 14.6 | 12.85 | 9.2 | 7 | 52610-0877 | 52610-0872 | 52610-0815 | 8 |
| 12.6 | 10.85 | 7.2 | 5 | 52610-0677 | 52610-0672 | 52610-0615 | 6 |
| 11.6 | 9.85 | 6.2 | 4 | 52610-0577 | 52610-0572 | 52610-0515 | 5 |

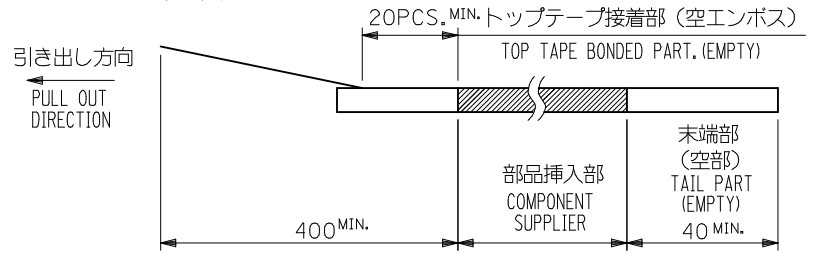
| | | | | | | | | |
|------------|------------------|-----|---|-----|-----------------------------------|----------------|---------------|------------|
| 52610-**15 | D | (C) | B | (A) | EMBOSSSED TAPE (HIGH BARRIER PKG) | EMBOSSSED TAPE | MATERIAL. NO. | 極数 CKT. |
| MODEL NO. | ORDER No. オーダー番号 | | | | | | | |

| | | | | | | | | |
|--|--|---|----------------------------|-------------------|--|------------------------------|------------------------|--|
| REVISED EC NO: J2009-2316 DRWN: CARIZONO 2009/04/20 CHKD: T. HARUYAMA 2009/04/20 APPR: NUKITA 2009/04/21 | GENERAL TOLERANCES (UNLESS SPECIFIED) | | DIMENSION STYLE MM ONLY | | SCALE --- | DESIGN UNITS METRIC | THIRD ANGLE PROJECTION | |
| | 10 UNDER | ±0.2 | DRAWN BY M. NABEI | DATE '05/07/21 | TITLE 1.0 FPC CONN ZIF FOR SMT ST -LEAD FREE- | | | |
| | 10 OVER 30 UNDER | ±0.25 | CHECKED BY K. TOYODA | DATE '05/07/21 | MOLEX INCORPORATED | | | |
| | 30 OVER | ±0.3 | APPROVED BY N. UKITA | DATE '05/07/21 | MATERIAL NO. SEE TABLE | DOCUMENT NO. SD-52610-036 | SHEET NO. 2 OF 2 | |
| | ANGULAR ±3 ° | THIS DRAWING CONTAINS INFORMATION THAT IS PROPRIETARY TO MOLEX INCORPORATED AND SHOULD NOT BE USED WITHOUT WRITTEN PERMISSION | | | | | | |
| | DRAFT WHERE APPLICABLE MUST REMAIN WITHIN DIMENSIONS | | | | | | | |

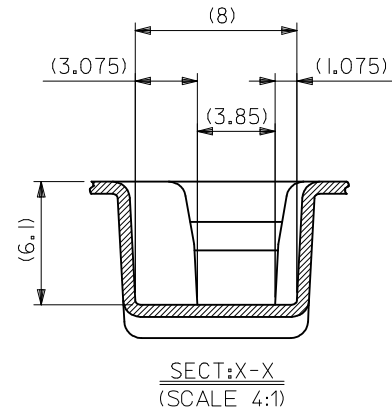
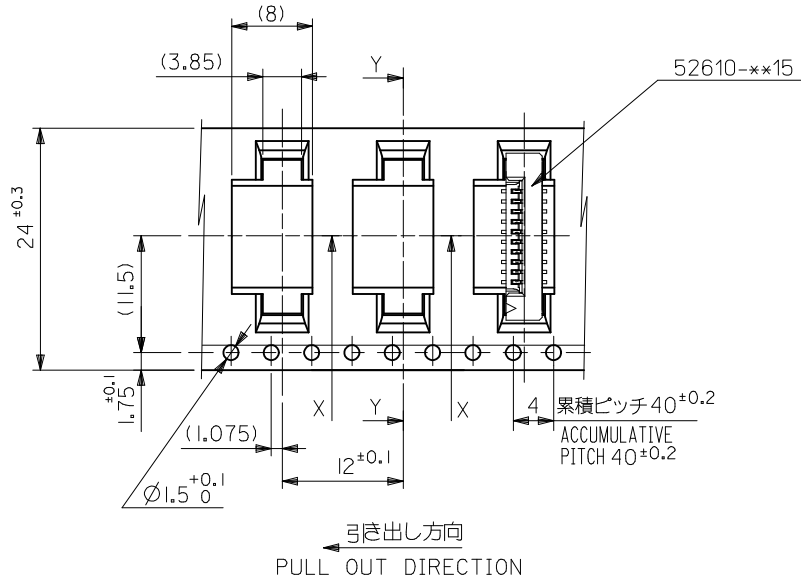
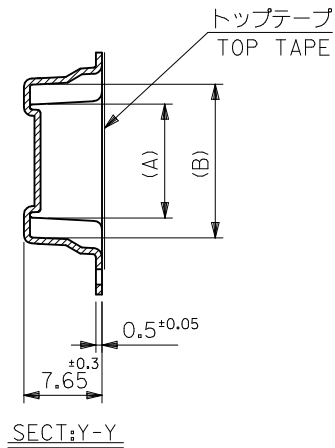


NOTES

- 梱包数量：1000個/リール
NUMBER OF CONNECTORS : 1000PCS/REEL
- リードテープ長さ LEAD TAPE LENGTH
20PCS. MIN. トップテープ接着部 (空エンボス)
TOP TAPE BONDED PART. (EMPTY)
部品挿入部
COMPONENT SUPPLIER
末端部 (空部)
TAIL PART (EMPTY)
40 MIN.
- 52610-***15 のアクチュエータはハウジング内に押し下げた状態とする。
詳細寸法については図面 SD-52610-036 を参照下さい。
ACTUATOR OF PART NO. 52610-***15 SHULD BE LOCKED.
RE DETAILED DIMENSIONS , SEE SD-52610-036.
- 材料 (MATERIAL)
キャリアテープ (CARRIER TAPE) : ポリプロピレン (POLYPROPYLENE)
トップテープ (TOPTAPE) : PET , PE , PEF
リール (REEL) : ポリスチレン (P S) <リサイクル材を含む>
POLYSTYRENE (PS) <RECYCLE MATERIAL CONTAINED>
- 本製品は 52610 シリーズの接点金メッキ品である。
THIS PRODUCT IS Au-CONTACT OF 52610 SERIES.
- 本製品は乾燥剤入り、ハイバリア梱包仕様である。
THIS PRODUCT IS HIGH BARRIER PACKAGE WITH DESICCANT.



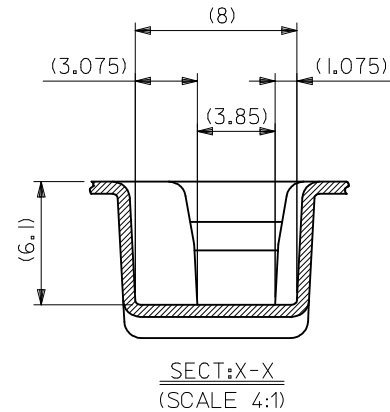
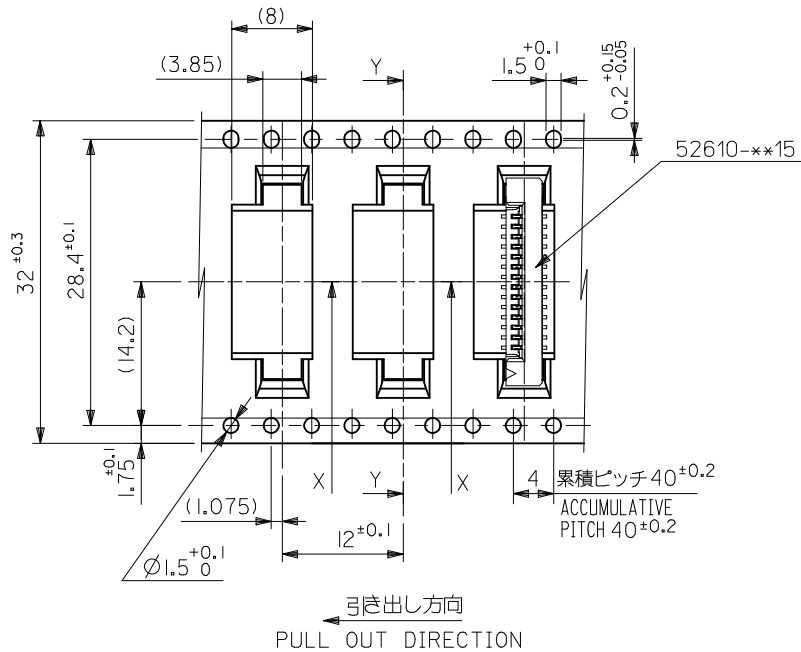
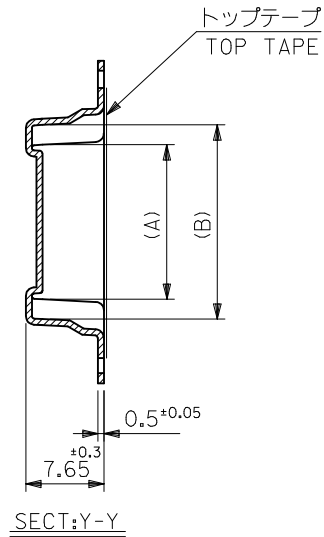
| | | | | | | | |
|--|---------------------------------------|---|----------------------------|-------------------|---|------------------------------|------------------------|
| REVISED EC NO: J2009-2061 DRWN:TKGN 2009/05/20 CHKD:HMATSUMOTO 2009/05/21 APPR:NUKITA 2009/05/21 | GENERAL TOLERANCES (UNLESS SPECIFIED) | | DIMENSION STYLE MM ONLY | | SCALE --- | 52610-***72 | MODEL NO. |
| | 10 UNDER | ±0.2 | DRAWN BY M. NABEI | DATE '05/07/21 | TITLE | DESIGN UNITS METRIC | THIRD ANGLE PROJECTION |
| | 10 OVER 30 UNDER | ±0.25 | CHECKED BY K. TOYODA | DATE '05/07/21 | 1.0 FPC CONN SMT ZIF EMBSTP PKG -LEAD FREE- MOLEX INCORPORATED | | |
| | 30 OVER | ±0.3 | APPROVED BY N. UKITA | DATE '05/07/21 | | DOCUMENT NO. SD-52610-037 | SHEET NO. 1 OF 5 |
| | ANGULAR ±3 ° | DRAFT WHERE APPLICABLE MUST REMAIN WITHIN DIMENSIONS | | SEE TABLE | | | |
| | | THIS DRAWING CONTAINS INFORMATION THAT IS PROPRIETARY TO MOLEX INCORPORATED AND SHOULD NOT BE USED WITHOUT WRITTEN PERMISSION | | | | | |



52610-**72
MODEL NO.

| | | | | | | |
|----|------|------|-------|-------|---------------|------------|
| 24 | 29.4 | 25.4 | 15.25 | 11.32 | 52610-1072 | 10 |
| | | | 14.25 | 10.32 | 52610-0972 | 9 |
| | | | 13.25 | 9.32 | 52610-0872 | 8 |
| | | | 11.25 | 7.32 | 52610-0672 | 6 |
| | | | 10.25 | 6.32 | 52610-0572 | 5 |
| | | | (B) | (A) | MATERIAL. NO. | 極数 CKT. |

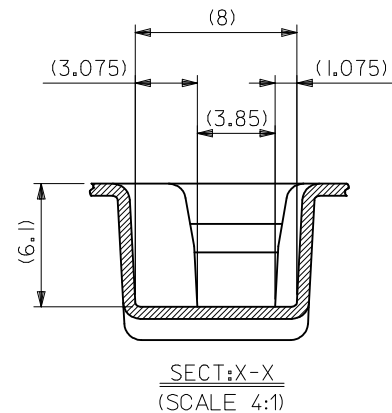
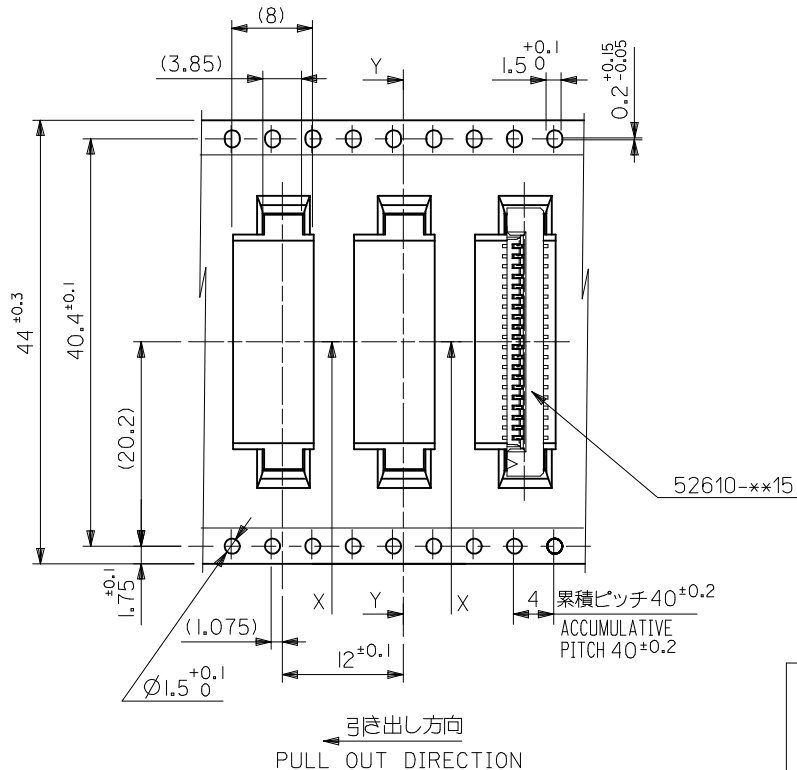
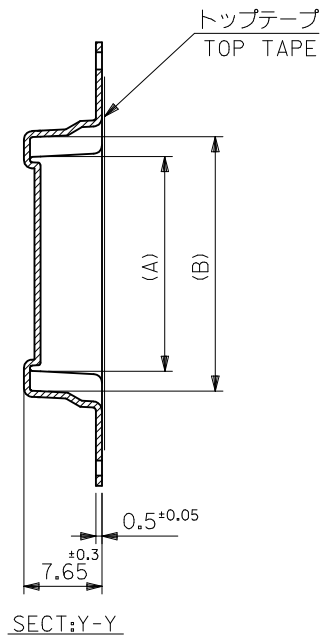
| | | | | | | | | | | |
|---|---------------------------------------|-------|--|------------|---------------------------|---|--|--|------------------------|--|
| REVISED EC NO.: J2009-2061 DRWN:TKON 2009/05/20 CHKD:HMATSUMOTO 2009/05/21 APPR:NUKITA 2009/05/21 | GENERAL TOLERANCES (UNLESS SPECIFIED) | | DIMENSION STYLE MM ONLY | | SCALE --- | | DESIGN UNITS METRIC | | THIRD ANGLE PROJECTION | |
| | 10 UNDER | ±0.2 | DRAWN BY M. NABEI | | DATE '05/07/21 | | TITLE 1.0 FPC CONN SMT ZIF EMBSTP PKG -LEAD FREE- | | | |
| | 10 OVER 30 UNDER | ±0.25 | CHECKED BY K. TOYODA | | DATE '05/07/21 | | MOLEX INCORPORATED SD-52610-037 | | | |
| | 30 OVER | ±0.3 | APPROVED BY N. UKITA | | DATE '05/07/21 | | | | | |
| | ANGULAR ±3 ° | | DRAFT WHERE APPLICABLE MUST REMAIN WITHIN DIMENSIONS | | MATERIAL NO. SEE TABLE | | DOCUMENT NO. SD-52610-037 | | SHEET NO. 2 OF 5 | |
| | | | | SIZE A3 | | THIS DRAWING CONTAINS INFORMATION THAT IS PROPRIETARY TO MOLEX INCORPORATED AND SHOULD NOT BE USED WITHOUT WRITTEN PERMISSION | | | | |



52610-**72
MODEL NO.

| | | | | | | | |
|--------------------------------|------|------|-------|-------|------------|--------------|------------|
| 32 | 37.4 | 33.4 | 20.25 | 16.32 | 52610-1572 | 15 | |
| | | | 19.25 | 15.32 | 52610-1472 | 14 | |
| | | | 18.25 | 14.32 | 52610-1372 | 13 | |
| | | | 17.25 | 13.32 | 52610-1272 | 12 | |
| | | | 16.25 | 12.32 | 52610-1172 | 11 | |
| キャリアテープ幅 CARRIER TAPE WIDTH | | D | C | (B) | (A) | MATERIAL NO. | 極数 CKT. |

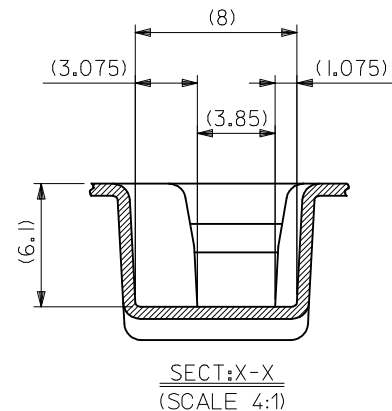
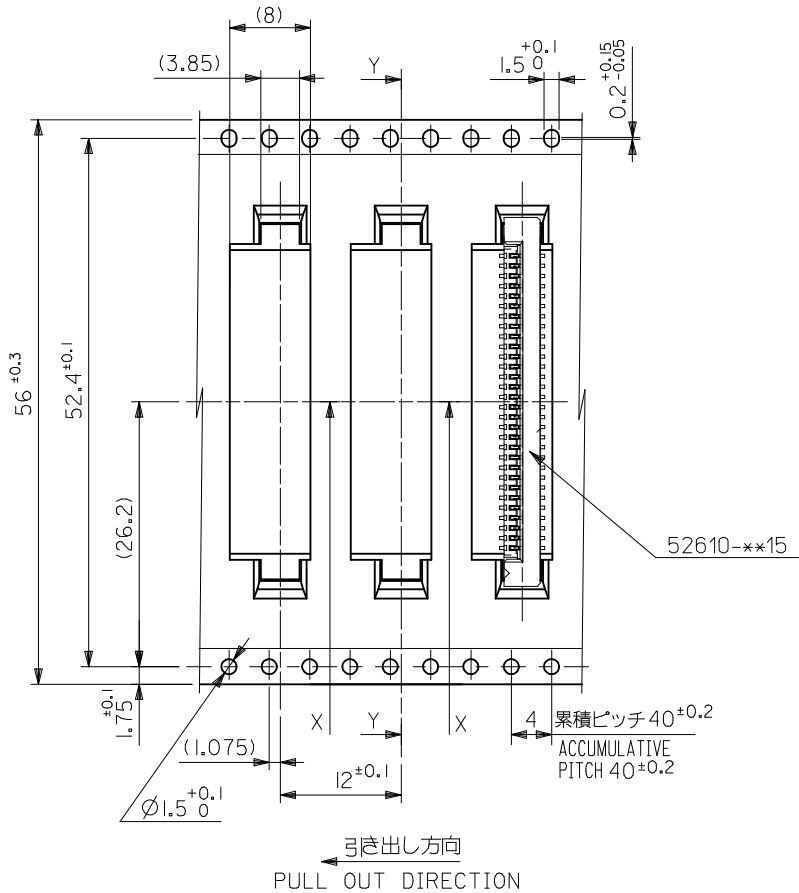
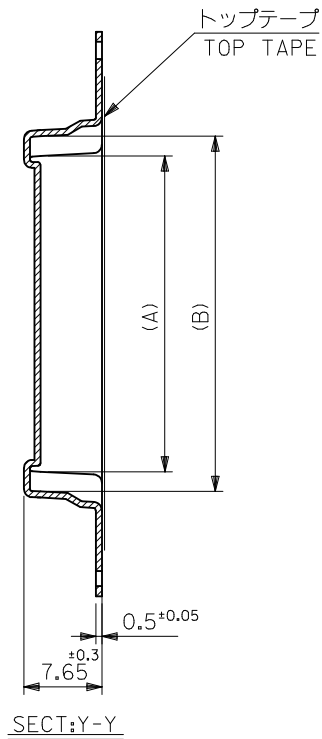
| | | | | | | | |
|--|--|-------|--|-------------------|--|------------------------------|------------------------|
| REVISED EC NO: J2009-2061 DRWN:TKON 2009/05/20 CHKD:HMATSUMOTO 2009/05/21 APPR:NUKITA 2009/05/21 | GENERAL TOLERANCES (UNLESS SPECIFIED) | | DIMENSION STYLE MM ONLY | | SCALE --- | DESIGN UNITS METRIC | THIRD ANGLE PROJECTION |
| | 10 UNDER | ±0.2 | DRAWN BY M. NABEI | DATE '05/07/21 | TITLE 1.0 FPC CONN SMT ZIF EMBSTP PKG -LEAD FREE- | | |
| | 10 OVER 30 UNDER | ±0.25 | CHECKED BY K. TOYODA | DATE '05/07/21 | MOLEX INCORPORATED | | |
| | 30 OVER | ±0.3 | APPROVED BY N. UKITA | DATE '05/07/21 | MATERIAL NO. SEE TABLE | DOCUMENT NO. SD-52610-037 | SHEET NO. 3 OF 5 |
| | ANGULAR ±3 ° DRAFT WHERE APPLICABLE MUST REMAIN WITHIN DIMENSIONS | | THIS DRAWING CONTAINS INFORMATION THAT IS PROPRIETARY TO MOLEX INCORPORATED AND SHOULD NOT BE USED WITHOUT WRITTEN PERMISSION | | | | |



52610-***72
MODEL NO.

| | | | | | | |
|----|------|------|-------|-------|---------------|------------|
| 44 | 49.4 | 45.4 | 31.25 | 27.32 | 52610-2672 | 26 |
| | | | 30.25 | 26.32 | 52610-2572 | 25 |
| | | | 29.25 | 25.32 | 52610-2472 | 24 |
| | | | 27.25 | 23.32 | 52610-2272 | 22 |
| | | | 25.25 | 21.32 | 52610-2072 | 20 |
| | | | 23.25 | 19.32 | 52610-1872 | 18 |
| | | | 22.25 | 18.32 | 52610-1772 | 17 |
| | | | 21.25 | 17.32 | 52610-1672 | 16 |
| | | | (B) | (A) | MATERIAL. NO. | 種数 CKT. |

| | | | | | | | | | | |
|--|--------------------|---------------------------------------|-------|---|-------------------|---|------------------------|------------------------------|---------------------|--|
| REVISED EC NO: J2009-2061 DRWN:TKON 2009/05/20 CHKD:HMATSUMOTO 2009/05/21 APPR:NUKITA 2009/05/21 | DESCRIPTION REV | GENERAL TOLERANCES (UNLESS SPECIFIED) | | DIMENSION STYLE MM ONLY | | SCALE --- | DESIGN UNITS METRIC | THIRD ANGLE PROJECTION | | |
| | | 10 UNDER | ±0.2 | DRAWN BY M. NABEI | DATE '05/07/21 | TITLE 1.0 FPC CONN SMT ZIF EMBOSTP PKG -LEAD FREE- | | | | |
| | | 10 OVER 30 UNDER | ±0.25 | CHECKED BY K. TOYODA | DATE '05/07/21 | MOLEX INCORPORATED | | | | |
| | | 30 OVER | ±0.3 | APPROVED BY N. UKITA | DATE '05/07/21 | MATERIAL NO. SEE TABLE | | DOCUMENT NO. SD-52610-037 | SHEET NO. 4 OF 5 | |
| | | ANGULAR ±3 ° | | THIS DRAWING CONTAINS INFORMATION THAT IS PROPRIETARY TO MOLEX INCORPORATED AND SHOULD NOT BE USED WITHOUT WRITTEN PERMISSION | | | | | | |
| DRAFT WHERE APPLICABLE MUST REMAIN WITHIN DIMENSIONS | | | | | | | | | | |



| | | | | | | | |
|------------|--------------------------------|------|------|-------|-------|---------------|------------|
| 52610-**72 | 56 | 61.4 | 57.4 | 35.25 | 31.32 | 52610-3072 | 30 |
| MODEL NO. | キャリアテープ幅 CARRIER TAPE WIDTH | D | C | (B) | (A) | MATERIAL. NO. | 極数 CKT. |

| | | | | | | | |
|--|---------------------------------------|--|---|-------------------|--|------------------------------|------------------------|
| REVISED EC NO: J2009-2061 DRWN:TKON 2009/05/20 CHKD:HMATSUMOTO 2009/05/21 APPR:NUKITA 2009/05/21 | GENERAL TOLERANCES (UNLESS SPECIFIED) | | DIMENSION STYLE MM ONLY | | SCALE --- | DESIGN UNITS METRIC | THIRD ANGLE PROJECTION |
| | 10 UNDER | ±0.2 | DRAWN BY M. NABEI | DATE '05/07/21 | TITLE 1.0 FPC CONN SMT ZIF EMBSTP PKG -LEAD FREE- | | |
| | 10 OVER 30 UNDER | ±0.25 | CHECKED BY K. TOYODA | DATE '05/07/21 | MOLEX INCORPORATED | | |
| | 30 OVER | ±0.3 | APPROVED BY N. UKITA | DATE '05/07/21 | MATERIAL NO. SEE TABLE | DOCUMENT NO. SD-52610-037 | SHEET NO. 5 OF 5 |
| REV | DESCRIPTION | ANGULAR ±3 ° | THIS DRAWING CONTAINS INFORMATION THAT IS PROPRIETARY TO MOLEX INCORPORATED AND SHOULD NOT BE USED WITHOUT WRITTEN PERMISSION | | | | |
| | | DRAFT WHERE APPLICABLE MUST REMAIN WITHIN DIMENSIONS | | | | | |



Компания «ЭлектроПласт» предлагает заключение долгосрочных отношений при поставках импортных электронных компонентов на взаимовыгодных условиях!

Наши преимущества:

- Оперативные поставки широкого спектра электронных компонентов отечественного и импортного производства напрямую от производителей и с крупнейших мировых складов;
- Поставка более 17-ти миллионов наименований электронных компонентов;
- Поставка сложных, дефицитных, либо снятых с производства позиций;
- Оперативные сроки поставки под заказ (от 5 рабочих дней);
- Экспресс доставка в любую точку России;
- Техническая поддержка проекта, помощь в подборе аналогов, поставка прототипов;
- Система менеджмента качества сертифицирована по Международному стандарту ISO 9001;
- Лицензия ФСБ на осуществление работ с использованием сведений, составляющих государственную тайну;
- Поставка специализированных компонентов (Xilinx, Altera, Analog Devices, Intersil, Interpoint, Microsemi, Aeroflex, Peregrine, Syfer, Eurofarad, Texas Instrument, Miteq, Cobham, E2V, MA-COM, Hittite, Mini-Circuits, General Dynamics и др.);

Помимо этого, одним из направлений компании «ЭлектроПласт» является направление «Источники питания». Мы предлагаем Вам помощь Конструкторского отдела:

- Подбор оптимального решения, техническое обоснование при выборе компонента;
- Подбор аналогов;
- Консультации по применению компонента;
- Поставка образцов и прототипов;
- Техническая поддержка проекта;
- Защита от снятия компонента с производства.



Как с нами связаться

Телефон: 8 (812) 309 58 32 (многоканальный)

Факс: 8 (812) 320-02-42

Электронная почта: org@eplast1.ru

Адрес: 198099, г. Санкт-Петербург, ул. Калинина, дом 2, корпус 4, литера А.