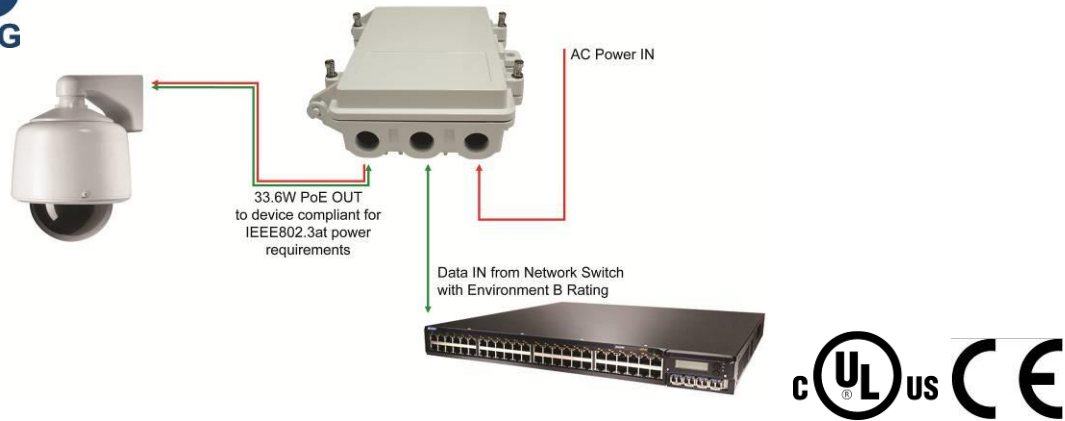




33.6W Power over Ethernet Waterproof Adapter PoE Plus Single Port Injector for Outdoor Application



Features

- Compliant with the IEEE802.3at Standard
- Diagnostic LEDs
- Gigabit Compatible
- IP67 Rating (Waterproof)
- 40 to +60°C Temperature Range
- - Non-Vented Case with Mounting Bracket
- Full Protection OCP, OVP
- 1 Year Warranty
- Optional Cable Glands for waterproof operation (sold separately)

Applications

- Outdoor Security Cameras
- Outdoor Wireless Access Points
- Outdoor Emergency Lighting

Safety Approvals

- cUL/UL
- CE

Mechanical Characteristics (without Mounting Bracket)

- Length: 252.1mm (9.93in)
- Width: 176mm (6.93in)
- Height: 78mm (3.07in)
- Weight: 1.7Kg (3.75lb)

Mechanical Characteristics (with Mounting Bracket)

- Length: 300mm (11.81in)
- Width: 184mm (7.24in)
- Height: 82mm (3.23)
- Weight: 2.83kg (6.24lb)

Output Specifications

Model	DC Output Voltage	Load		Regulation	
		Min.	Max.	Line	Load
POE33U-1AT-R ¹	56V	0A	0.60A	54-57Vdc under all conditions	

Notes: (1) Consult factory for availability

Phihong is not responsible for any error, and reserves the right to make changes without notice. Please visit our website at www.phihong.com for the most up-to-date specifications and contact information.

INPUT:**AC Input Voltage Range**

90 to 264VAC

AC Input Voltage Rating

100 to 240VAC

AC Input Current

1.0A (RMS) and 90VAC at maximum load
 .55A (RMS) and 240VAC at maximum load

AC Input Frequency

47 to 63Hz

Leakage Current

3.5mA for 254VAC, 50Hz

Max Inrush Current

30A for 115VAC at maximum load
 60A for 230VAC at maximum load

OUTPUT:**Total Output Power**

33.6W

Ripple and Regulation

250mV maximum

Efficiency

70% (typical) at maximum load, and
 120VAC 60Hz

ENVIRONMENTAL:**Temperature**

Operation	-40 to +60°C
Non-operation	-40 to +85°C

Humidity

Operation	5 to 90%
-----------	----------

EMI

Complies with FCC Class B
 Complies with EN55032 Class B

Isolation Test

Primary to Secondary: 4242 VDC for 1

minute, 10mA

Primary to Field Ground: 2121VDC for 1

minute, 10mA

Output to Field Ground: 2121VDC for 1

minute, 10mA

Immunity

ESD: IEC61000-4-2 Level 3

RS: IEC61000-4-3 Level 3

EFT: IEC61000-4-4 Level 2

Surge: IEC61000-4-5 Level 3

CS: IEC61000-4-6 Level 3

Voltage Dips IEC61000-4-11

Harmonic: EN61000-3-2 Class A

Insulation ResistancePrimary to Secondary: >10M OHM
500VDCPrimary to Field Ground: >10M OHM
500VDC**FEATURES:****Over Voltage/Current, Short Circuit Protection**

The output can be shorted permanently without damage

Indicators

LED 1: Input power "ON"

LED 2: Detected a valid IEEE802.3at Class 4 load

LED 3: Detect and Connected to a valid IEEE802.3af load

Input Connector

3 pin terminal block with M3.5 screw terminal; for appropriate connection use minimum 14AWG wire and M3.5 spade lug

Output PoE Connector

RJ45

Output PoE Connection

+pins 3, 6 / -pins 1, 2

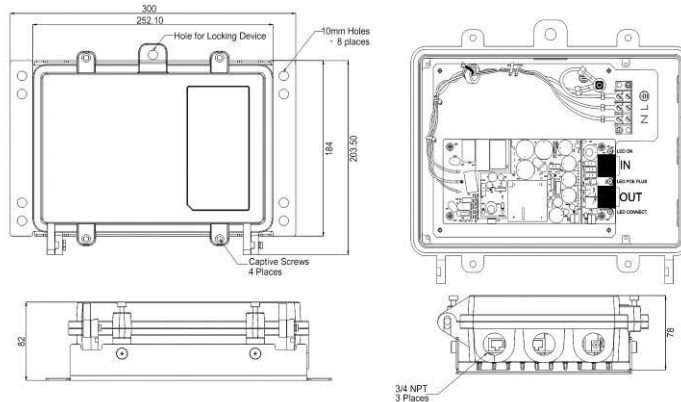
Input/Output Case Ports

3 ¾ NPT holes compatible with standard ¾ NPT conduit piping or Pihong wire gland PGLAND750 with fully waterproof AC and RJ45 cables.

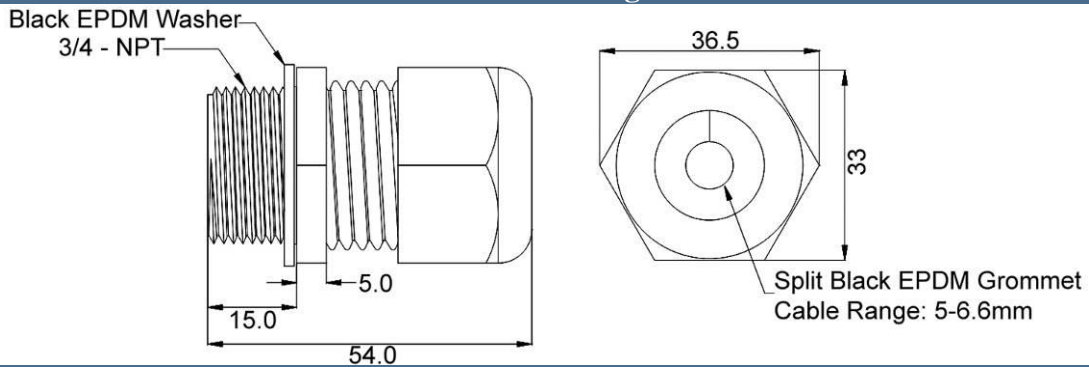
Network Switch

Network Switch must be Environment Rated B as per paragraph 33.4.1.1 of the IEEE802.3at standard.

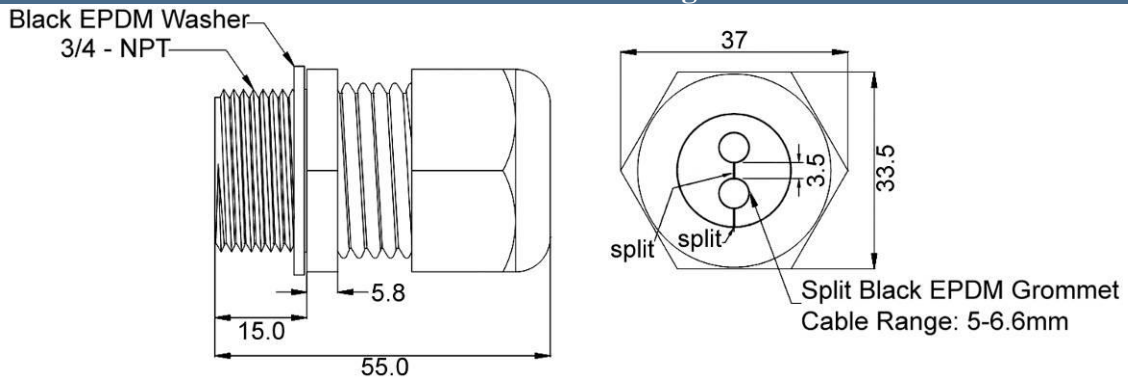
POE33U Dimension Diagram unit:mm



Single Cable Gland - PGLAND750* Dimension Diagram unit:mm



Double Cable Gland - PGLAND750-2* Dimension Diagram unit:mm



Note *: Cable Glands are sold separately

General - Please read the following precautions carefully before installing and connecting the system to a power source.

Note – Only qualified and trained service personnel (in accordance with IEC 60950 and AS/NZS 3260) should install, replace, or service the equipment. Install the system in accordance with Country, National or to the U.S. National Electric Code if you are in the United States.

Precautions:

1. The building facilities in which the product will be used must provide Isolation to the main AC Input connector. This connection requires a fuse or circuit breaker no larger than 20A for 120 VAC (U.S.A.) or 16A, 230 VAC (international). The building facilities must protect the PoE33U Power injector from over current or short-circuits.
2. The POE33U power injector enclosure is IP67 tested which provides degrees of protection against access to hazardous parts, dust and against ingress of water. To ensure protection against ingress of water, torque captive screws (4 places) in an “X” pattern to > 27 inch pound. –Only qualified service personal should install, replace or service this equipment. Before connecting, visit “www.midspans.com” for the latest up to date specification and contact information.
3. The POE33U power injector enclosure must be mounted vertically but not orientation limited. The enclosure is provided with a steel 2mm thick zinc plated mounting bracket. When mounting utilize the holes in the mounting bracket plate (10mm holes) 8 places. The preferred method of mounting is to a vertical 4 inch or 6 inch pole using 2”3/8 x 16” U-bolts. If mounting on a flat surface, to sheetrock or wood and or others material, use 4 M6 fasteners. Other fasteners may be used, but hardware must be sized to support 4-5 times the weight of the unit.
4. The POE33U power injector enclosure has 3 threaded (3/4 NPT) openings to accommodate waterproof / water tight conduit and or cable glands. **WARNING:** To ensure protection against ingress of water, the connection(s) of the conduit and or cable glands are threaded with Teflon tape all the way through the holes in an enclosure wall.
5. The POE33U power injector AC input connector (located inside enclosure) is a 3 pin terminal block 9.5mm, rated 20 A, 250 V, with M3.5 Nickel Plated steel screws. The incoming 3 wire/cable must be minimum 14AWG and or in accordance with Country, National Electric Code.
6. The POE33U Power injector consists of “Data & Power” ports. The ports are providing TNV-1 outputs. The ports use RJ-45 data sockets. Do not connect telephone cables into these ports. Only RJ-45 data cables with waterproof / water tight connections may be connected to these sockets.
7. To prevent the POE33U Power injector from overheating, do not operate the product in an area that exceeds the maximum recommended ambient temperature of -40 °C to +60 °C.

8. Do not work on the POE33U Power injector or connect or disconnect cables, during periods of lightning activity.
9. The AC connector wire combination must be accessible at all times, as it serves as the main disconnect device to the product.
10. Before servicing the product, always disconnect the product from its AC source.
11. Equipment is for Pollution degree 2 Environment.
12. Disposal of this product should abide by all appropriate National laws and regulations.

Installation Instructions

- 1) The unit is packaged fully closed with the mounting bracket pre-installed; remove from packaging and loosen the four captive screws located at the top of the midspan so that the lid can be lifted easily.



- 2) Using a Philips screwdriver, remove the four screws holding the protective covering for the PC Board, and the two screws for the protective covering over the AC terminal block.



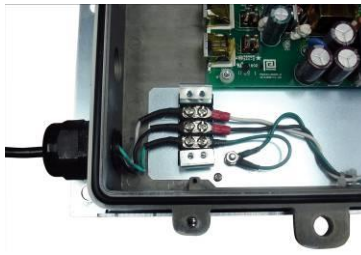
- 3) Connect cable glands (PGLAND750) or $\frac{3}{4}$ NPT conduit piping to the face of the midspan. Ensure that connectors are fully installed to guarantee waterproof operation.



4) To better enable waterproof operation it is recommended that installers use Teflon tape to cover threads before installation. Users may also wish to use silicon sealant to further protect from ingress of liquid.



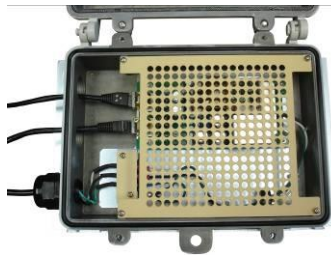
5) Thread outdoor rated waterproof AC cable (must comply with all local, national and country electrical codes) from source through piping/gland to the terminal block. The AC cable will need to be a minimum of 14AWG and terminated with M3.5 spade lugs. Pair and secure ground, line, and neutral to the appropriate positions on the three pin terminal block and reattach the protective covering. Note: if using the cable gland PGLAND750, the outer seal nut needs to be fully tightened to close rubber seal to protect against ingress of water.



6) Using waterproof outdoor rated Cat5e Ethernet cable, thread through cable glands or conduit piping to the appropriate RJ45 connector and ensure each portal is properly sealed.



7) Reattach the protective covering over the PC board and terminal blocks and re-close the lid. Ensure that the four captive screws are fully tightened before operation can commence.



Supplier's Declaration of Conformity
47 CFR § 2.1077 Compliance Information

Phihong USA Corporation
47800 Fremont Boulevard
Fremont, CA 94538
Telephone: (510) 445-0100
www.phihong.com

NOTE: This model has/The models in this products series have been tested and found to comply with the limits for a Class B digital device, pursuant to part 15 of the FCC Rules. These limits are designed to provide reasonable protection against harmful interference in a residential installation. This equipment generates, uses and can radiate radio frequency energy and, if not installed and used in accordance with the instructions, may cause harmful interference to radio communications. However, there is no guarantee that interference will not occur in a particular installation. If this equipment does cause harmful interference to radio or television reception, which can be determined by turning the equipment off and on, the user is encouraged to try to correct the interference by one or more of the following measures:

- Reorient or relocate the receiving antenna.
- Increase the separation between the equipment and receiver.
- Connect the equipment into an outlet on a circuit different from that to which the receiver is connected.
- Consult the dealer or an experienced radio/TV technician for help.

Changes or modifications to equipment not expressly approved by PHIHONG could void the user's authority to operate the equipment.



Компания «ЭлектроПласт» предлагает заключение долгосрочных отношений при поставках импортных электронных компонентов на взаимовыгодных условиях!

Наши преимущества:

- Оперативные поставки широкого спектра электронных компонентов отечественного и импортного производства напрямую от производителей и с крупнейших мировых складов;
- Поставка более 17-ти миллионов наименований электронных компонентов;
- Поставка сложных, дефицитных, либо снятых с производства позиций;
- Оперативные сроки поставки под заказ (от 5 рабочих дней);
- Экспресс доставка в любую точку России;
- Техническая поддержка проекта, помощь в подборе аналогов, поставка прототипов;
- Система менеджмента качества сертифицирована по Международному стандарту ISO 9001;
- Лицензия ФСБ на осуществление работ с использованием сведений, составляющих государственную тайну;
- Поставка специализированных компонентов (Xilinx, Altera, Analog Devices, Intersil, Interpoint, Microsemi, Aeroflex, Peregrine, Syfer, Eurofarad, Texas Instrument, Miteq, Cobham, E2V, MA-COM, Hittite, Mini-Circuits, General Dynamics и др.);

Помимо этого, одним из направлений компании «ЭлектроПласт» является направление «Источники питания». Мы предлагаем Вам помощь Конструкторского отдела:

- Подбор оптимального решения, техническое обоснование при выборе компонента;
- Подбор аналогов;
- Консультации по применению компонента;
- Поставка образцов и прототипов;
- Техническая поддержка проекта;
- Защита от снятия компонента с производства.



Как с нами связаться

Телефон: 8 (812) 309 58 32 (многоканальный)

Факс: 8 (812) 320-02-42

Электронная почта: org@eplast1.ru

Адрес: 198099, г. Санкт-Петербург, ул. Калинина, дом 2, корпус 4, литера А.