

## 601 SERIES

### 3-Phase Voltage & Frequency Monitor



### Description

The Model 601 is a fully-programmable voltage monitor designed to protect 3-phase motors from loss of any phase (single-phasing), phase reversal, low or high voltage, voltage unbalance, low or high frequency, and rapid cycling. It can be used as a stand-alone product or networked with an RM1000, RM2000, PLC, computer or SCADA system.

When a harmful condition is detected, the 601's output relay is deactivated after the specified trip delay. The output relay reactivates after power line conditions return to an acceptable level for the programmed restart delay (RD2).

Eleven (11) setpoints are viewable with the 3-digit LED display or from a networked device:

- low voltage
- high voltage
- voltage unbalance
- low frequency
- high frequency
- RS485 address
- trip delay for single-phase faults
- rapid-cycle timer (RD1)
- restart delay after all faults (RD2)
- type of restart after all faults (manual or automatic)
- trip delay for voltage/frequency faults

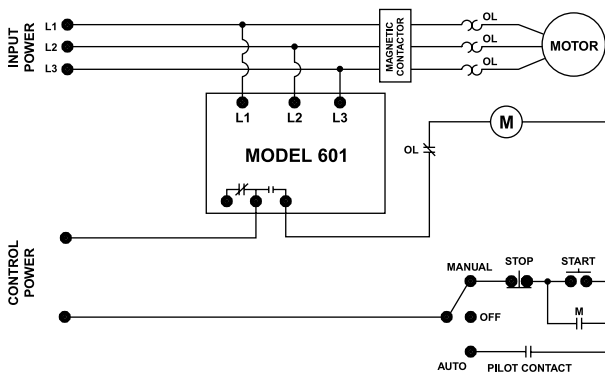
Six (6) parameters are viewable while the motor is running:

- L1-L2 voltage
- L2-L3 voltage
- L1-L3 voltage
- average voltage
- voltage unbalance (%)
- frequency

When used with the RS485MS-2W communications module, the 601 can communicate with most Modbus RTU master devices. Voltage conditions can be monitored and setpoints can be changed remotely using Solutions software, an RM1000, RM2000 or other device.

### Wiring Diagram

MODEL 601 WITH MOTOR CONTROL



### Ordering Information

MODEL	LINE VOLTAGE	DESCRIPTION
601	190-480VAC	Universal 3-Phase Voltage & Frequency Monitor
601575	500-600VAC	Used primarily in Canada and NE USA where 575V utility power services are common

### Features & Benefits

FEATURES	BENEFITS
<b>Built-in display</b>	Provides real time information and diagnostics to help with troubleshooting
<b>Programmable voltage and frequency settings</b>	Allows usage on wide range of systems
<b>2 programmable restart delay timers</b>	Program separate restart delay time for rapid cycle protection and motor cool down
<b>2 programmable trip delay timers</b>	1 trip delay specifically for Phase Loss/Single-Phase fault condition, 1 trip delay for all other fault conditions
<b>Programmable restart control</b>	Choose between an adjustable automatic or manual restart to best meet individual application needs
<b>Flexible reset</b>	Reset options include pushbutton on relay or remote reset with optional 777-MRSW or OL-RESET remote reset kit
<b>Remote display compatibility</b>	Increases safety through remote display of real-time data and fault history, without the need to open the cabinet. Aids with arc flash safety regulations
<b>Network communications capability</b>	Compatible with RS-485 Modbus communications module

## 601 SERIES

### Accessories



**RS485MS-2W Communication Module**  
(for limited Modbus capabilities) Required to enable the Modbus communications function on Model 77X-type products.



**RM1000 Remote Monitor**  
The RM1000/777 motor management system combines unsurpassed electronic motor protection and critical, user-friendly, motor monitoring for up to 16 devices.



**RM2000 Remote Monitor**  
The RM2000/777 motor management system combines unsurpassed electronic motor protection and critical, user-friendly, motor monitoring with event storage and real-time clock for date and time stamp.



**777-MRSW Manual Remote Reset Kit**  
Allows the 777 line of MotorSaver® and PumpSaver® products to be manually reset without opening the panel door.



**OL-RESET Manual Remote Reset Kit**  
Allows the 777 line of MotorSaver® and PumpSaver® products to be manually reset without opening the panel door.

### Specifications

#### Input Characteristics

**Frequency** 50/60Hz

#### Functional Characteristics

#### Programmable Operating Points

**LV - Low Voltage Threshold** 170V (450V\*) - HV Setting

**HV - High Voltage Threshold** LV Setting - 528V (660V\*)

**VUB - Voltage Unbalance Threshold** 2-15% or off

**LF - Low Frequency Threshold** 35Hz - HF Setting

**HF - High Frequency Threshold** LF Setting - 75Hz

**TD1 - Trip Delay for Voltage/Unbalance/Frequency Faults** 1-50 seconds

**TD2 - Trip Delay for Single-Phase Faults** 1-50 seconds

**RD1 - Rapid-Cycle Timer** 0, 2-500 seconds

**RD2 - Restart Delay After All Faults** 2-500 seconds

**#RF - Type of Restart** Manual or Automatic

**ADDR - RS-485 Address** A01-A99

**Fixed Reset Points**

**Overvoltage Reset** 97% of HV Setting

**Low Voltage Reset** 103% of LV Setting

**Voltage Unbalance Reset** UB Setting -1%

**Low Frequency Reset** LF Setting +0.6Hz

**High Frequency Reset** HF Setting -0.6Hz

#### Output Characteristics

**Output Contact Rating** 480VA @ 240VAC

**Pilot Duty** 480VA @ 240VAC

#### General Characteristics

**Temperature Range** -20° to 70°C (-4° to 158°F)

**Accuracy** ±1%

**Voltage** ±1%

**Timing** 5% ±1 second

**Repeatability** ±0.5%

**Voltage** ±0.5%

**Maximum Input Power** 5 W

**Transient Protection (Internal)** 2500 V for 10 ms

#### Safety Marks

**UL** UL508 (File #E68520)

**CSA** C22.2 No. 14 (File #46510)

**CE** IEC 60947-6-2

**Dimensions** **H** 77.47 mm (3.05"); **W** 97.79 mm (3.85");

**D** 128.27 mm (5.05")

**Weight** 1.2 lbs. (19.2 oz., 544.31 g)

**Mounting Method** Surface mount (4 - #8 screws)

or DIN rail mount

\*575V Model

The 601 can be preprogrammed prior to installation by applying at least 120V to the L1 and L2 terminals.



Компания «ЭлектроПласт» предлагает заключение долгосрочных отношений при поставках импортных электронных компонентов на взаимовыгодных условиях!

Наши преимущества:

- Оперативные поставки широкого спектра электронных компонентов отечественного и импортного производства напрямую от производителей и с крупнейших мировых складов;
- Поставка более 17-ти миллионов наименований электронных компонентов;
- Поставка сложных, дефицитных, либо снятых с производства позиций;
- Оперативные сроки поставки под заказ (от 5 рабочих дней);
- Экспресс доставка в любую точку России;
- Техническая поддержка проекта, помощь в подборе аналогов, поставка прототипов;
- Система менеджмента качества сертифицирована по Международному стандарту ISO 9001;
- Лицензия ФСБ на осуществление работ с использованием сведений, составляющих государственную тайну;
- Поставка специализированных компонентов (Xilinx, Altera, Analog Devices, Intersil, Interpoint, Microsemi, Aeroflex, Peregrine, Syfer, Eurofarad, Texas Instrument, Miteq, Cobham, E2V, MA-COM, Hittite, Mini-Circuits, General Dynamics и др.);

Помимо этого, одним из направлений компании «ЭлектроПласт» является направление «Источники питания». Мы предлагаем Вам помощь Конструкторского отдела:

- Подбор оптимального решения, техническое обоснование при выборе компонента;
- Подбор аналогов;
- Консультации по применению компонента;
- Поставка образцов и прототипов;
- Техническая поддержка проекта;
- Защита от снятия компонента с производства.



#### Как с нами связаться

**Телефон:** 8 (812) 309 58 32 (многоканальный)

**Факс:** 8 (812) 320-02-42

**Электронная почта:** [org@eplast1.ru](mailto:org@eplast1.ru)

**Адрес:** 198099, г. Санкт-Петербург, ул. Калинина, дом 2, корпус 4, литера А.