

PLEASE CHECK WWW.MOLEX.COM FOR LATEST PART INFORMATION

Part Number: [0850132127](#)
Status: **Active**
Overview: [din_41612](#)
Description: 2.54mm (.100") Pitch DIN 41612 Header, Through Hole, Vertical, Style R/2 Reverse, 1µm (40µ") Selective Gold (Au), 48 Circuits, Lead free

Documents:

[3D Model](#) [RoHS Certificate of Compliance \(PDF\)](#)
[Drawing \(PDF\)](#)

Agency Certification

CSA LR19980
 UL E29179

General

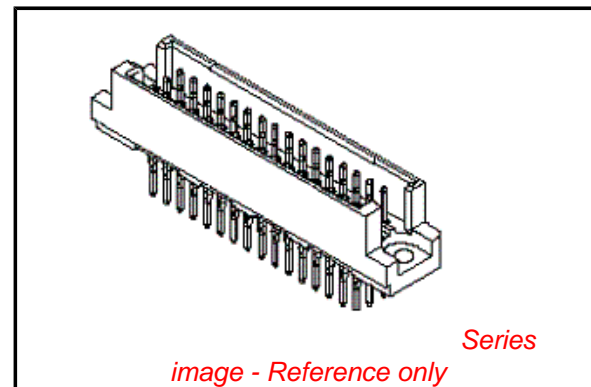
Product Family Backplane Connectors
 Series [85013](#)
 Application Daughtercard
 Comments 10 Day Industrial Environment (S02)
 Component Type PCB Header
 Overview [din_41612](#)
 Product Name IEC 603-2/DIN 41612
 Style R/2

Physical

Circuits (Loaded) 48
 Circuits (maximum) 48
 Circuits Detail Rows A, B, & C
 Durability (mating cycles max) 500
 First Mate / Last Break No
 Flammability 94V-0
 Guide to Mating Part No
 Keying to Mating Part Yes
 Number of Columns 16
 Number of Pairs Open Pin Field
 Number of Rows 3
 Orientation Vertical
 PC Tail Length (in) 0.110 In
 PC Tail Length (mm) 2.90 mm
 PCB Locator No
 PCB Retention Yes
 Packaging Type Bag
 Pitch - Mating Interface (in) 0.100 In
 Pitch - Mating Interface (mm) 2.54 mm
 Pitch - Term. Interface (in) 0.100 In
 Pitch - Term. Interface (mm) 2.54 mm
 Plating min: Mating (µin) 39
 Plating min: Mating (µm) 1
 Polarized to PCB No
 Stackable No
 Surface Mount Compatible (SMC) No
 Temperature Range - Operating -55°C to +125°C

Electrical

Current - Maximum per Contact 1A
 Data Rate 622.0 Mbps



EU RoHS

ELV and RoHS Compliant
REACH SVHC
 Not Reviewed
Halogen-Free Status
 Not Reviewed

China RoHS



Need more information on product environmental compliance?

Email productcompliance@molex.com
 For a multiple part number RoHS Certificate of Compliance, [click here](#)

Please visit the [Contact Us](#) section for any non-product compliance questions.

Search Parts in this Series

[85013Series](#)

Mates With

[85042](#) DIN 41612 Receptacle . [85052](#) DIN 41612 Header

Real Signals (per 25mm)	30
Shield Type	N/A
Shielded	No
Voltage - Maximum	1000V (RMS)

Material Info

Reference - Drawing Numbers

Sales Drawing	E-85013-2127, SD-85013-2127, SDA-85013-0002, SDA-85013-2127
---------------	--

This document was generated on 05/17/2010

PLEASE CHECK WWW.MOLEX.COM FOR LATEST PART INFORMATION

VIEW ON MATING SIDE

A	A	A	A	A	A	A	A	A	A	A	A	A	A	A	A	A	A	A	A
A	A	A	A	A	A	A	A	A	A	A	A	A	A	A	A	A	A	A	A
A	A	A	A	A	A	A	A	A	A	A	A	A	A	A	A	A	A	A	A


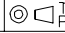
- 2 3 4 5 6 7 8 9 10 = 11 12 13 14 15

A = 48 STANDARD CONTACTS L = 2.9

MARKING	STANDARD
PERFORMANCE LEVEL	G1/O = CONTACT AREA LEVEL I / TERMINATION TIN
FLUX PROOF	NO
FIXING CLIP	NO
DIMENSIONS	E-85013-0002 SHT 1-2

A	G1/O	a1-16 b1-16 c1-16
CONTACT SYMBOL	PERFORMANCE LEVEL	CONTACT POSITION NUMBER

SL. NO.	DESCRIPTION	CONTACT SYMBOL	PART NUMBER	QTY
1	HOUSING		36520-0002	1
2	TERMINAL	A	36527-0004	48

ENTER DESCRIPTION ELC NCL 12005 02113 DRAWING: MAHARAJ 2004/11/16 CHKD: SSUDHIR 2004/11/29 APPR: PRASAD 2005/11/09	QUALITY SYMBOLS 	GENERAL TOLERANCES (UNLESS SPECIFIED)		DIMENSION STYLE IN/MM	SCALE ---	DESIGN UNITS INCH	 THIRD ANGLE PROJECTION		
		4 PLACES ±---± 3 PLACES ±---± 2 PLACES ±---± 1 PLACE ±---±	mm INCH ±---± ±---± ±---± ±---± ±---± ±---± ±---± ±---±	DRAWN BY SS	DATE 2004/03/31	TITLE 48 POS. MALE CONNECTOR ACC. DIN 41612 STYLE R/2 CONTACTS			
		ANGULAR ±---°		CHECKED BY SSUDHIR	DATE 2004/03/31	MOLEX INCORPORATED			
		DRAFT WHERE APPLICABLE MUST REMAIN WITHIN DIMENSIONS		APPROVED BY SSUDHIR	DATE 2004/03/31	MATERIAL NO. ENTER PART	DOCUMENT NO. E-85013-2127	SHEET NO. 1 OF 1	

THIS DRAWING CONTAINS INFORMATION THAT IS PROPRIETARY TO MOLEX INCORPORATED AND SHOULD NOT BE USED WITHOUT WRITTEN PERMISSION

20 19 18 17 16 15 14 13 12 11 9 8 7 6 5 4 3 2 1


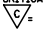
VIEW ON MATING SIDE

◇	A	A	A	A	A	A	A	A	A	A	A	A	A	A	A	A	A	A	A
◇	A	A	A	A	A	A	A	A	A	A	A	A	A	A	A	A	A	A	A
◇	A	A	A	A	A	A	A	A	A	A	A	A	A	A	A	A	A	A	A
	1	2	3	4	5	6	7	8	9	10	11	12	13	14	15	16			

A = 48 STANDARD CONTACTS L = 2.9

MARKING	STANDARD
PERFORMANCE LEVEL	G/O = CONTACT AREA LEVEL / TERMINATION TIN
FLUX PROOF	NO
FIXING CLIP	NO
DIMENSIONS	SD-85013-0002 SHT 1

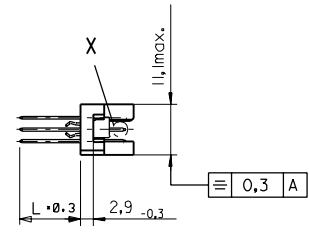
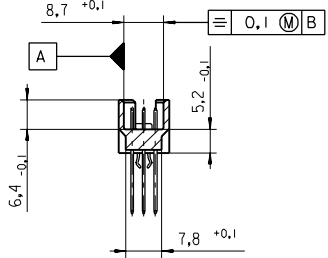
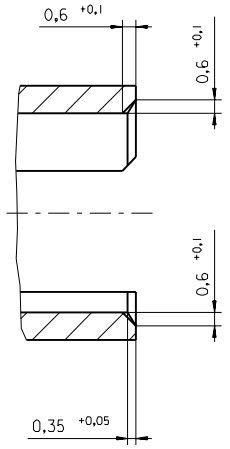
A	G/O	a1-16 b1-16 c1-16
CONTACT SYMBOL	PERFORMANCE LEVEL	CONTACT POSITION NUMBER

EC NO. I 2002-XXXX DRAWN: S 31/03/04 CHK: G.L. 31/03/04 APPR: L.L. 31/03/04	QUALITY SYMBOLS	GENERAL TOLERANCES: (UNLESS SPECIFIED)	SCALE	DESIGN UNITS	DIMENSIONS:	SHT	REV	
	MAJOR  CRITICAL 				<input type="checkbox"/> MM <input checked="" type="checkbox"/> INCH <input type="checkbox"/> INCH <input type="checkbox"/> MM <input checked="" type="checkbox"/> INCH ONLY			
		4 PLACES $\pm 0.$ $\pm.$ 3 PLACES $\pm 0.$ $\pm.$ 2 PLACES $\pm 0.$ $\pm.$ 1 PLACE $\pm 0.$ $\pm.$	DRAWN BY & DATE NLS 31/03/04 CHECKED BY & DATE G.L. 31/03/04 APPROVED BY & DATE G.L. 31/03/04		THIRD ANGLE PROJECTION <input type="checkbox"/> FIRST ANGLE <input checked="" type="checkbox"/> THIRD ANGLE	TITLE: 48 POS MALE CONNECTOR ACCORDING DIN 41612 STYLE R/2 CONTACTS ARRANGEMENT		
			CAD FILENAME	MATERIAL NO.	DRAWING NO.	SHEET NO.	SIZE	
			S850132127.S01	85013-2127	SD-85013-2127	1 OF 1	D	
DRAFT WHERE APPLICABLE MUST REMAIN WITHIN DIMENSIONS		THIS DRAWING CONTAINS INFORMATION THAT IS PROPRIETARY TO MOLEX INCORPORATED AND SHOULD NOT BE USED WITHOUT WRITTEN PERMISSION.						

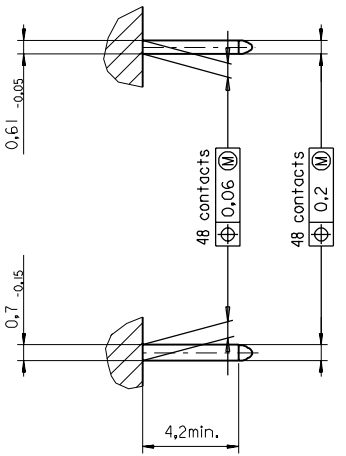
19 18 17 16 15 14 13 12 11 10 9 8 7 6 5 4 3 2 1

PART NO.
DWG. NO.

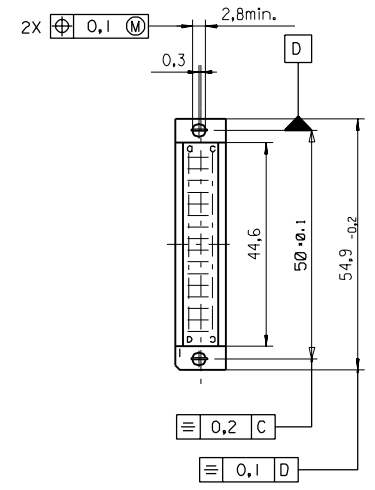
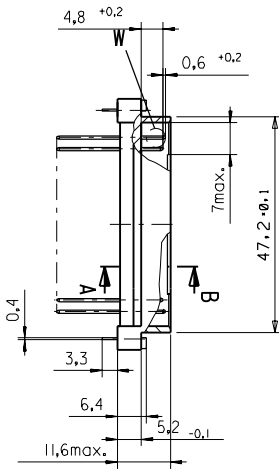
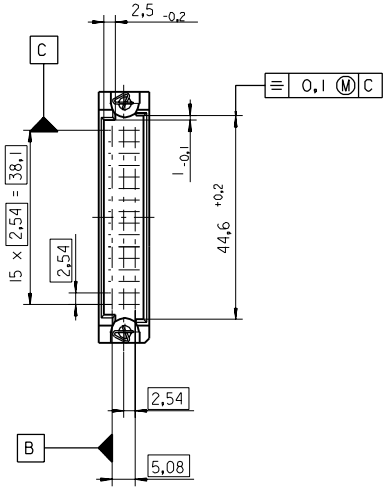
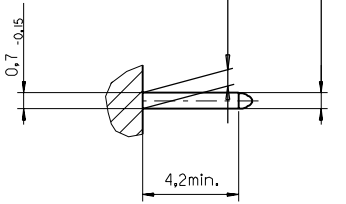
Section A - B
5:1



View X
5:1



View W
5:1



FIRST ANGLE PROJECTION		REVISE ONLY ON CAD SYSTEM		SH.	REV.
UNLESS OTHERWISE SPECIFIED TOLERANCES: ANGULAR ±2°	DRWG BY	SIGN	CAD/CAM PROJECT NAME	THIS DRAWING CONTAINS INFORMATION THAT IS PROPRIETARY TO MOLEX INC. & SHOULD NOT BE USED WITHOUT WRITTEN PERMISSION	
	INCH	Ca	85013000 821		
3 PLACE ± . ±	CHK'D BY	SIGN	TITLE 48 pos. Male connector acc. DIN 41612 style R/2 Dimensions		
2 PLACE ± . ±	KN				
1 PLACE ± . ±	APP'D BY	SIGN	MOLEX EUROPE		
DRAFT WHERE APPLICABLE MUST REMAIN WITHIN DIMENSIONS		SCALE	SHEET NO. DATE		
DESIGN DIMENSION	<input checked="" type="checkbox"/> MM		1 OF 95/06/08		
EQUIVALENT DIMENSION	<input type="checkbox"/> IN.		PART NO.		SIZE
IF TWO DIMENSIONS ARE SHOWN THE UPPER IS THE DESIGN DIMENSION, LOWER IS SECONDARY			DWG. NO.		
			SDA-85013-0002		B

VIEW ON MATING SIDE

∩	A	A	A	A	A	A	A	A	A	A	A	A	A	A	A	A	A
∩	A	A	A	A	A	A	A	A	A	A	A	A	A	A	A	A	A
∩	A	A	A	A	A	A	A	A	A	A	A	A	A	A	A	A	A

1 2 3 4 5 6 7 8 9 10 11 12 13 14 15 16 17 18 19 20 21 22 23 24 25 26 27 28 29 30 31 32 33 34 35 36 37 38 39 40 41 42 43 44 45 46 47 48 49 50 51 52 53 54 55 56 57 58 59 60 61 62 63 64 65 66 67 68 69 70 71 72 73 74 75 76 77 78 79 80 81 82 83 84 85 86 87 88 89 90 91 92 93 94 95 96 97 98 99 100

A = 48 STANDARD CONTACTS L-2,9

Marking	Standard
Performance level	G1/0 = Contact area perform. level / Termination tin
Flux proof	no
Fixing clip	no
Dimensions	SDA-85013-0002 sht.1
Technical Data	PS-85013-0001

A	G1/0	a1-16	b1-16	c1-16
Contact symbol	Perform. level	Contact position number		

first release see ECN No. 2453	REVISIONS		FOR PREVIOUS REVISIONS SEE MRI LIST		
	LTR	∇			
UNLESS OTHERWISE SPECIFIED TOLERANCES: ANGULAR ± 2° INCH METRIC	DRWG BY Ca	SIGN	CAD/CAM PROJECT NAME s8501321 s21	REVISE ONLY ON CAD SYSTEM	SH. REV.
3 PLACE ± .	CHK'D BY KN	SIGN	THIS DRAWING CONTAINS INFORMATION THAT IS PROPRIETARY TO MOLEX INC. & SHOULD NOT BE USED WITHOUT WRITTEN PERMISSION	TITLE 48 pos. Male connector acc. DIN 41612 style R/2 contacts arrangement	SHEET NO. DATE 1 OF 1 97/04/09
2 PLACE ± .	APP'D BY JB	SIGN			
1 PLACE ± .	SCALE				
DRAFT WHERE APPLICABLE MUST REMAIN WITHIN DIMENSIONS	DESIGN DIMENSION <input type="checkbox"/> MM <input type="checkbox"/> IN.				
	EQUIVALENT DIMENSION <input type="checkbox"/> MM <input type="checkbox"/> IN.				
IF TWO DIMENSIONS ARE SHOWN, THE UPPER IS THE DESIGN DIMENSION, LOWER IS SECONDARY					
	PART NO.	DWG NO.	SDA-85013-2127	85013-2127	SIZE A



Компания «ЭлектроПласт» предлагает заключение долгосрочных отношений при поставках импортных электронных компонентов на взаимовыгодных условиях!

Наши преимущества:

- Оперативные поставки широкого спектра электронных компонентов отечественного и импортного производства напрямую от производителей и с крупнейших мировых складов;
- Поставка более 17-ти миллионов наименований электронных компонентов;
- Поставка сложных, дефицитных, либо снятых с производства позиций;
- Оперативные сроки поставки под заказ (от 5 рабочих дней);
- Экспресс доставка в любую точку России;
- Техническая поддержка проекта, помощь в подборе аналогов, поставка прототипов;
- Система менеджмента качества сертифицирована по Международному стандарту ISO 9001;
- Лицензия ФСБ на осуществление работ с использованием сведений, составляющих государственную тайну;
- Поставка специализированных компонентов (Xilinx, Altera, Analog Devices, Intersil, Interpoint, Microsemi, Aeroflex, Peregrine, Syfer, Eurofarad, Texas Instrument, Miteq, Cobham, E2V, MA-COM, Hittite, Mini-Circuits, General Dynamics и др.);

Помимо этого, одним из направлений компании «ЭлектроПласт» является направление «Источники питания». Мы предлагаем Вам помощь Конструкторского отдела:

- Подбор оптимального решения, техническое обоснование при выборе компонента;
- Подбор аналогов;
- Консультации по применению компонента;
- Поставка образцов и прототипов;
- Техническая поддержка проекта;
- Защита от снятия компонента с производства.



Как с нами связаться

Телефон: 8 (812) 309 58 32 (многоканальный)

Факс: 8 (812) 320-02-42

Электронная почта: org@eplast1.ru

Адрес: 198099, г. Санкт-Петербург, ул. Калинина, дом 2, корпус 4, литера А.