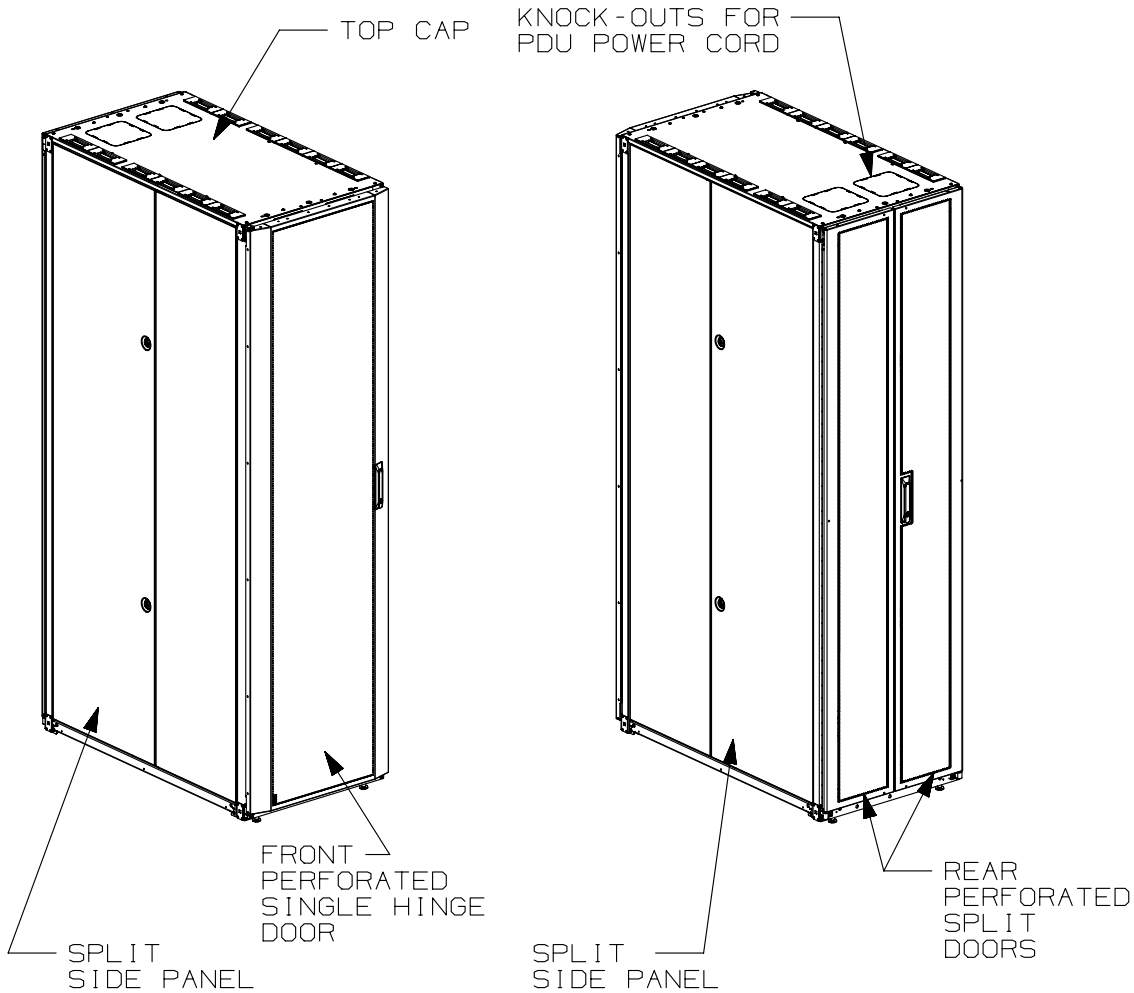


THIS COPY IS PROVIDED ON A RESTRICTED BASIS AND IS NOT TO BE USED IN ANY WAY DETRIMENTAL TO THE INTERESTS OF PANDUIT CORP.



1. VISIT OUR ON-LINE CATALOG AT WWW.PANDUIT.COM FOR A LIST OF CURRENT PARTS APPLICABLE FOR USE WITH THIS PRODUCT.
2. PRIMARY DIMENSIONS ARE IN MILLIMETERS.
3. RAIL ADJUSTMENT MEASUREMENTS ARE TAKEN FROM THE FRONT FACE OF EACH EQUIPMENT RAIL. INDEPENDENT ADJUSTABLE REAR EQUIPMENT MOUNTING RAILS (EIA) ADJUST FROM 65mm [2.6in] TO 357mm [14.05in] AND FROM 521mm [20.5in] TO 765mm [30.1in] WITH PDU BRACKETS AND CABLE MANAGEMENT FINGERS IN PLACE. REMOVING PDU BRACKETS AND OPTIONAL FINGERS INCREASES MAXIMUM E-RAIL SPAN TO 911mm [35.86in].
4. CAN BE USED WITH ANY 19" EIA STANDARD COMPONENT IN ADDITION TO ALL PANDUIT HORIZONTAL CABLE MANAGEMENT AND PATCH PANEL PRODUCTS.
5. EIA UNIVERSAL STANDARD HOLE PROGRESSION ON EQUIPMENT RAILS 15.88mm [.625in], 15.88mm [.625in], 12.70mm [.5in], 15.88mm [.625in], 15.88mm [.625in], 12.7mm [.5in]...ETC.
6. PARTS SUPPLIED:
 - BASE CABINET
 - FRONT PERFORATED SINGLE HINGE DOOR (SEE CHART ON SHEET 2)
 - REAR PERFORATED SPLIT DOOR (SEE CHART ON SHEET 2)
 - EQUIPMENT RAILS FRONT & REAR (SEE CHART ON SHEET 2)
 - PDU BRACKETS (SEE CHART ON SHEET 2)
 - CASTERS (SEE CHART ON SHEET 2)
 - INSTRUCTION SHEET
7. RACK UNIT SPACING NUMERALS ARE CLEARLY PRINTED ON EQUIPMENT MOUNTING RAILS.
8. FULLY BONDED STRUCTURE WHEN ASSEMBLED PER INSTRUCTIONS.
9. STATIC LOAD RATING. 1360 Kg (3000 LBS)
10. ROLLING LOAD RATING. 1133 Kg (2500 LBS)
11. SINGLE POINT GROUND LOCATIONS AT TOP AND BOTTOM OF CABINET.
12. ALL CABINET RAILS ARE INSTALLED NUMBERS UP.
13. MAXIMUM EQUIPMENT DEPTH, 959mm [37.75].

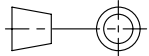
REV	DATE	BY	CHK	APR	DESCRIPTION	ECN
O1A	10-10-14	PBS	ADP	TCN	FLOOR MOUNT DIMENSIONS UPDATED	V09000BX
O0B	5-14-13	PBS	NAGL	JDWE	REVISED CHART	12V305QX-DC
O0A	8-27-12	TKW	JDW	PBD	RELEASED TO PRODUCTION	12V305QX-DC

TITLE		NET-ACCESS S TYPE CABINET 600mm WIDE X 1070mm DEEP FAMILY	
		CUSTOMER DRAWING	
ITEM REVISION NAME		12V305QX/01.PRT	
DATASET FILE NAME		12V305QX_DC/01A.PRT	
		MATERIAL: N/A	
		DRAWING NUMBER: 12V305QX-DC	
DRAWN BY	DATE	CHK	SCALE
TKW	8-27-12	JDW	NONE
		THIRD ANGLE PROJECTION	
		SHT 1 OF 5	
		SIZE A	

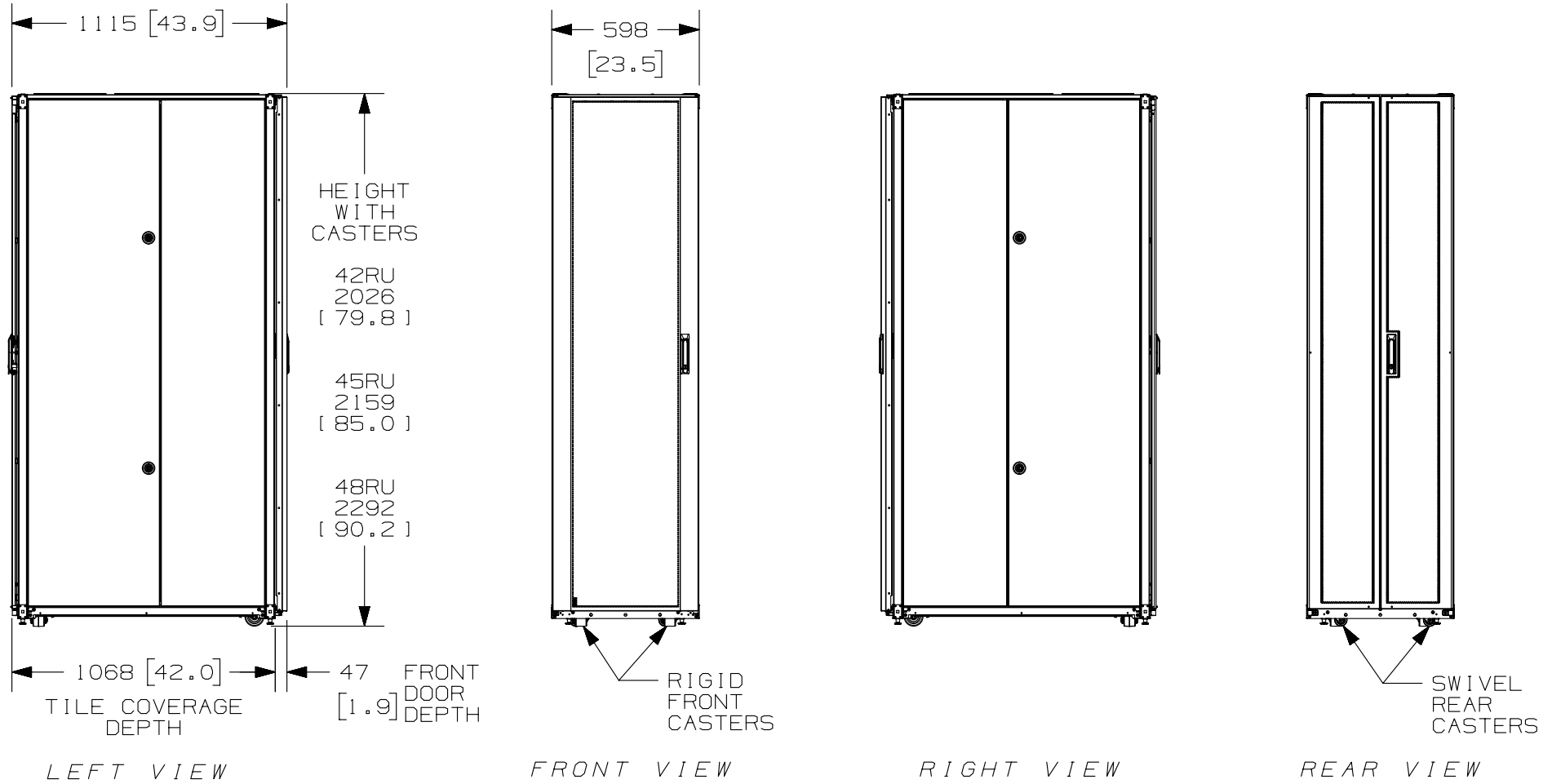
THIS COPY IS PROVIDED ON A RESTRICTED BASIS AND IS NOT TO BE USED IN ANY WAY DETRIMENTAL TO THE INTERESTS OF PANDUIT CORP.

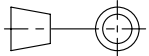
PART NO.	DESCRIPTION	SINGLE HINGE FRONT DOOR	SPLIT REAR DOOR	SPLIT SIDE PANEL	FRONT CAGE NUT E-RAIL	REAR CAGE NUT FINGER MGMT E-RAIL	REAR CAGE NUT VERTICAL PATCH E-RAIL	STANDARD PDU BRACKETS	CASTERS	CABLE MGMT FINGERS	CABINET WEIGHT FULLY UNPACKAGED	CABINET WEIGHT SHIPPING WEIGHT
S6212*	NET-ACCESS S-TYPE CABINET 600mm X 42RU X 1070mm DEEP	01	01	02	02	02	00	02	04	00	114 Kg/EACH 253 LBS/EACH	135 Kg/EACH 298 LBS/EACH
S6512*	NET-ACCESS S-TYPE CABINET 600mm X 45RU X 1070mm DEEP	01	01	02	02	02	00	02	04	00	119 Kg/EACH 263 LBS/EACH	139 Kg/EACH 308 LBS/EACH
S6812*	NET-ACCESS S-TYPE CABINET 600mm X 48RU X 1070mm DEEP	01	01	02	02	02	00	02	04	00	123 Kg/EACH 273 LBS/EACH	144 Kg/EACH 318 LBS/EACH
S6219*	NET-ACCESS S-TYPE CABINET 600mm X 42RU X 1070mm DEEP	01	01	00	02	02	00	02	04	00	81 Kg/EACH 180 LBS/EACH	102 Kg/EACH 225 LBS/EACH
S6519*	NET-ACCESS S-TYPE CABINET 600mm X 45RU X 1070mm DEEP	01	01	00	02	02	00	02	04	00	84 Kg/EACH 185 LBS/EACH	104 Kg/EACH 230 LBS/EACH
S6819*	NET-ACCESS S-TYPE CABINET 600mm X 48RU X 1070mm DEEP	01	01	00	02	02	00	02	04	00	86 Kg/EACH 190 LBS/EACH	106 Kg/EACH 235 LBS/EACH
S6212*F	NET-ACCESS S-TYPE CABINET 600mm X 42RU X 1070mm DEEP	01	01	02	02	02	00	02	04	01	115 Kg/EACH 255 LBS/EACH	136 Kg/EACH 300 LBS/EACH
S6512*F	NET-ACCESS S-TYPE CABINET 600mm X 45RU X 1070mm DEEP	01	01	02	02	02	00	02	04	01	120 Kg/EACH 265 LBS/EACH	140 Kg/EACH 310 LBS/EACH
S6812*F	NET-ACCESS S-TYPE CABINET 600mm X 48RU X 1070mm DEEP	01	01	02	02	02	00	02	04	01	125 Kg/EACH 275 LBS/EACH	145 Kg/EACH 320 LBS/EACH
S6219*F	NET-ACCESS S-TYPE CABINET 600mm X 42RU X 1070mm DEEP	01	01	00	02	02	00	02	04	01	82 Kg/EACH 182 LBS/EACH	103 Kg/EACH 227 LBS/EACH
S6519*F	NET-ACCESS S-TYPE CABINET 600mm X 45RU X 1070mm DEEP	01	01	00	02	02	00	02	04	01	85 Kg/EACH 187 LBS/EACH	105 Kg/EACH 232 LBS/EACH
S6819*F	NET-ACCESS S-TYPE CABINET 600mm X 48RU X 1070mm DEEP	01	01	00	02	02	00	02	04	01	87 Kg/EACH 192 LBS/EACH	107 Kg/EACH 237 LBS/EACH
S6212*S	NET-ACCESS S-TYPE CABINET 600mm X 42RU X 1070mm DEEP	00	00	02	02	02	00	02	04	00	90 Kg/EACH 198 LBS/EACH	110 Kg/EACH 243 LBS/EACH
S6512*S	NET-ACCESS S-TYPE CABINET 600mm X 45RU X 1070mm DEEP	00	00	02	02	02	00	02	04	00	94 Kg/EACH 208 LBS/EACH	114 Kg/EACH 253 LBS/EACH
S6812*S	NET-ACCESS S-TYPE CABINET 600mm X 48RU X 1070mm DEEP	00	00	02	02	02	00	02	04	00	99 Kg/EACH 218 LBS/EACH	119 Kg/EACH 263 LBS/EACH
S6219*S	NET-ACCESS S-TYPE CABINET 600mm X 42RU X 1070mm DEEP	00	00	00	02	02	00	02	04	00	57 Kg/EACH 125 LBS/EACH	77 Kg/EACH 170 LBS/EACH
S6519*S	NET-ACCESS S-TYPE CABINET 600mm X 45RU X 1070mm DEEP	00	00	00	02	02	00	02	04	00	59 Kg/EACH 130 LBS/EACH	79 Kg/EACH 175 LBS/EACH
S6819*S	NET-ACCESS S-TYPE CABINET 600mm X 48RU X 1070mm DEEP	00	00	00	02	02	00	02	04	00	61 Kg/EACH 135 LBS/EACH	81 Kg/EACH 180 LBS/EACH

* DENOTES COLOR
"B" = BLACK, "W" = WHITE

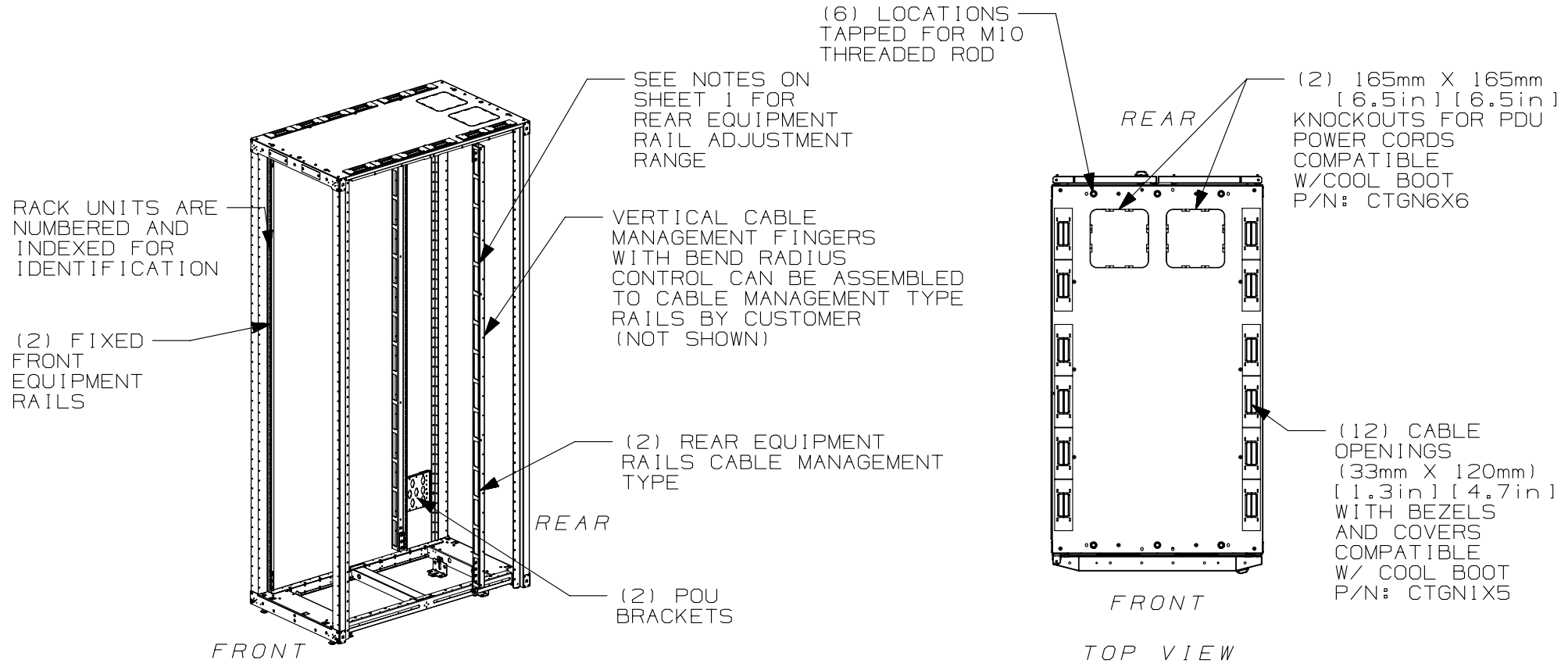
						TITLE NET-ACCESS S TYPE CABINET 600mm WIDE X 1070mm DEEP FAMILY CUSTOMER DRAWING						
						ITEM REVISION NAME 12V305QX/01.PRT			PANDUIT			
						DATASET FILE NAME 12V305QX_DC/01A.PRT						
O1A 10-01-14 PBS ADP TCN SEE SHEET 1 OF 5 FOR REVISIONS V09000BX									MATERIAL: N/A			
O0B 5-14-13 PBS NAGL JDWE SEE SHEET 1 OF 5 FOR REVISIONS 12V305QX-DC									DRAWING NUMBER: 12V305QX-DC			
O0A 8-27-12 TKW JDW PBD SEE SHEET 1 OF 5 FOR REVISIONS 12V305QX-DC						 THIRD ANGLE PROJECTION						
REV	DATE	BY	CHK	APR	DESCRIPTION	ECN	DRAWN BY TKW	DATE 8-27-12	CHK JDW	SCALE NONE	SHT 2 OF 5	SIZE A

THIS COPY IS PROVIDED ON A RESTRICTED BASIS AND IS NOT TO BE USED IN ANY WAY DETRIMENTAL TO THE INTERESTS OF PANDUIT CORP.

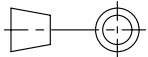


						TITLE		NET-ACCESS S TYPE CABINET 600mm WIDE X 1070mm DEEP FAMILY				
								CUSTOMER DRAWING				
						ITEM REVISION NAME		PANDUIT				
						12V305QX/01.PRT						
						DATASET FILE NAME		MATERIAL:				
						12V305QX_DC/01A.PRT		N/A				
01A	10-01-14	PBS	ADP	TCN	SEE SHEET 1 OF 5 FOR REVISIONS	V09000BX	 THIRD ANGLE PROJECTION DRAWING NUMBER: 12V305QX-DC					
00B	5-14-13	PBS	NAGL	JDWE	SEE SHEET 1 OF 5 FOR REVISIONS	12V305QX-DC						
00A	8-27-12	TKW	JDW	PBD	SEE SHEET 1 OF 5 FOR REVISIONS	12V305QX-DC						
REV	DATE	BY	CHK	APR	DESCRIPTION	ECN	DRAWN BY	DATE	CHK	SCALE	SHT 3 OF 5	SIZE
							TKW	8-27-12	JDW	NONE		A

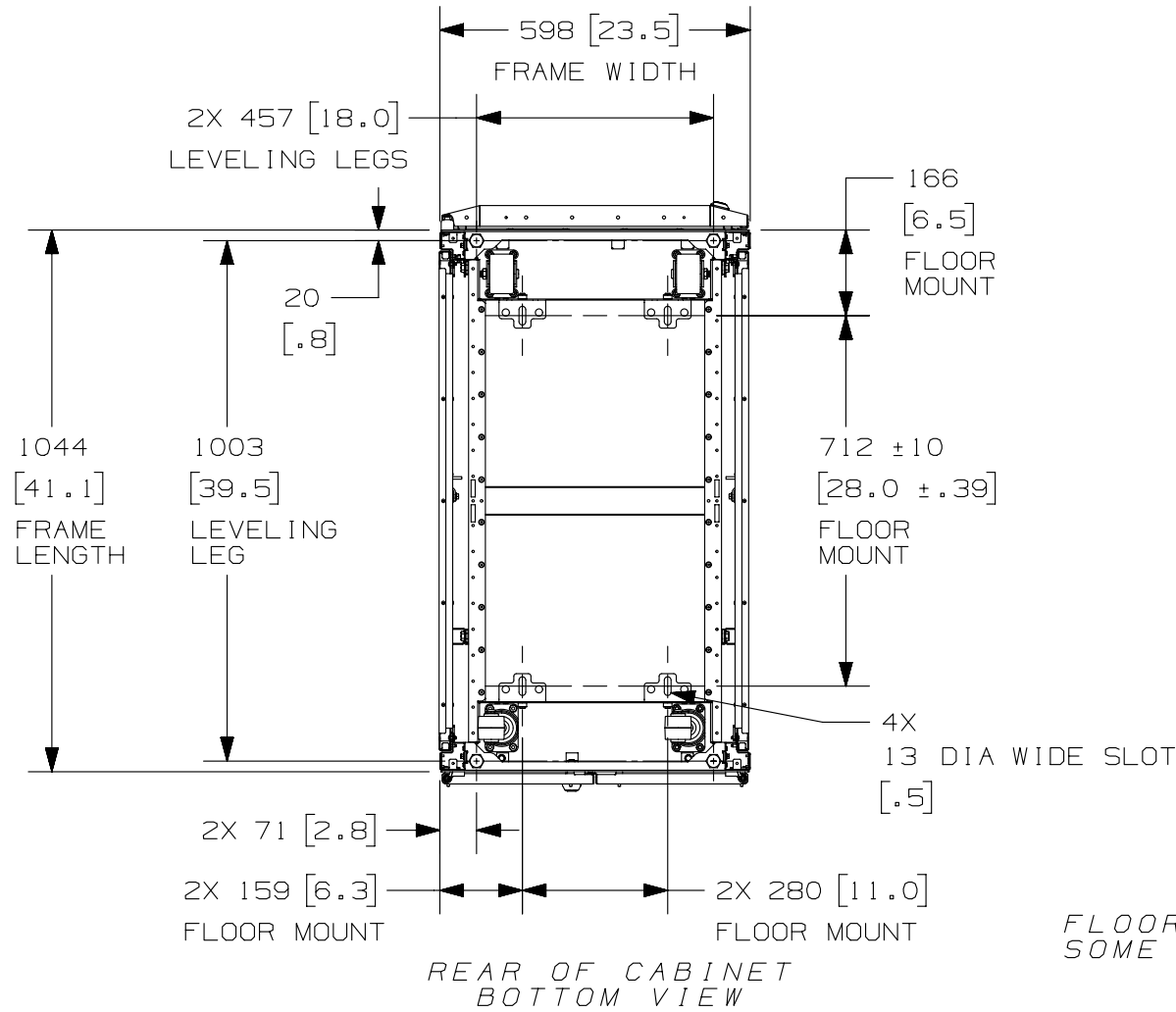
THIS COPY IS PROVIDED ON A RESTRICTED BASIS AND IS NOT TO BE USED IN ANY WAY DETRIMENTAL TO THE INTERESTS OF PANDUIT CORP.



FRONT DOOR, REAR DOOR, AND SIDE PANELS NOT SHOWN

						TITLE NET-ACCESS S TYPE CABINET 600mm WIDE X 1070mm DEEP FAMILY CUSTOMER DRAWING	
						ITEM REVISION NAME 12V305QX/01.PRT	
						DATASET FILE NAME 12V305QX_DC/01A.PRT	
						MATERIAL: N/A	
01A	10-01-14	PBS	ADP	TCN	SEE SHEET 1 OF 5 FOR REVISIONS	V09000BX	 <p>THIRD ANGLE PROJECTION</p>
00B	5-14-13	PBS	NAGL	JDWE	SEE SHEET 1 OF 5 FOR REVISIONS	12V305QX-DC	
00A	8-27-12	TKW	JDW	PBD	SEE SHEET 1 OF 5 FOR REVISIONS	12V305QX-DC	
REV	DATE	BY	CHK	APR	DESCRIPTION	ECN	DRAWN BY: TKW DATE: 8-27-12 CHK: JDW SCALE: NONE SHT 4 OF 5 SIZE: A

THIS COPY IS PROVIDED ON A RESTRICTED BASIS AND IS NOT TO BE USED IN ANY WAY DETRIMENTAL TO THE INTERESTS OF PANDUIT CORP.



FLOOR MOUNTING HOLE LOCATIONS - SOME PARTS REMOVED FOR CLARITY

REAR OF CABINET
BOTTOM VIEW

REV	DATE	BY	CHK	APR	DESCRIPTION	ECN
01A	10-01-14	PBS	ADP	TCN	SEE SHEET 1 OF 5 FOR REVISIONS	V09000BX
00B	5-14-13	PBS	NAGL	JDWE	SEE SHEET 1 OF 5 FOR REVISIONS	12V305QX-DC
00A	8-27-12	TKW	JDW	PBD	SEE SHEET 1 OF 5 FOR REVISIONS	12V305QX-DC

TITLE		NET-ACCESS S TYPE CABINET 600mm WIDE X 1070mm DEEP FAMILY CUSTOMER DRAWING	
ITEM REVISION NAME		12V305QX/01.PRT	
DATASET FILE NAME		12V305QX_DC/01A.PRT	
MATERIAL:		N/A	
DRAWING NUMBER:		12V305QX-DC	
THIRD ANGLE PROJECTION			
DRAWN BY	DATE	CHK	SCALE
TKW	8-27-12	JDW	NONE
SHT 5 OF 5		A	



Компания «ЭлектроПласт» предлагает заключение долгосрочных отношений при поставках импортных электронных компонентов на взаимовыгодных условиях!

Наши преимущества:

- Оперативные поставки широкого спектра электронных компонентов отечественного и импортного производства напрямую от производителей и с крупнейших мировых складов;
- Поставка более 17-ти миллионов наименований электронных компонентов;
- Поставка сложных, дефицитных, либо снятых с производства позиций;
- Оперативные сроки поставки под заказ (от 5 рабочих дней);
- Экспресс доставка в любую точку России;
- Техническая поддержка проекта, помощь в подборе аналогов, поставка прототипов;
- Система менеджмента качества сертифицирована по Международному стандарту ISO 9001;
- Лицензия ФСБ на осуществление работ с использованием сведений, составляющих государственную тайну;
- Поставка специализированных компонентов (Xilinx, Altera, Analog Devices, Intersil, Interpoint, Microsemi, Aeroflex, Peregrine, Syfer, Eurofarad, Texas Instrument, Miteq, Cobham, E2V, MA-COM, Hittite, Mini-Circuits, General Dynamics и др.);

Помимо этого, одним из направлений компании «ЭлектроПласт» является направление «Источники питания». Мы предлагаем Вам помощь Конструкторского отдела:

- Подбор оптимального решения, техническое обоснование при выборе компонента;
- Подбор аналогов;
- Консультации по применению компонента;
- Поставка образцов и прототипов;
- Техническая поддержка проекта;
- Защита от снятия компонента с производства.



Как с нами связаться

Телефон: 8 (812) 309 58 32 (многоканальный)

Факс: 8 (812) 320-02-42

Электронная почта: org@eplast1.ru

Адрес: 198099, г. Санкт-Петербург, ул. Калинина, дом 2, корпус 4, литера А.