

TSOP
Commercial Temp
Industrial Temp

256K x 8 2Mb Asynchronous SRAM

7, 8, 10, 12 ns
3.3 V V_{DD}
Center V_{DD} and V_{SS}

Features

- Fast access time: 7, 8, 10, 12 ns
- CMOS low power operation: 135/115/95/80 mA at minimum cycle time
- Single 3.3 V power supply
- All inputs and outputs are TTL-compatible
- Fully static operation
- Industrial Temperature Option: -40° to 85°C
- Package line up
 - GP:RoHS-compliant 400 mil, 44-pin TSOP Type II package

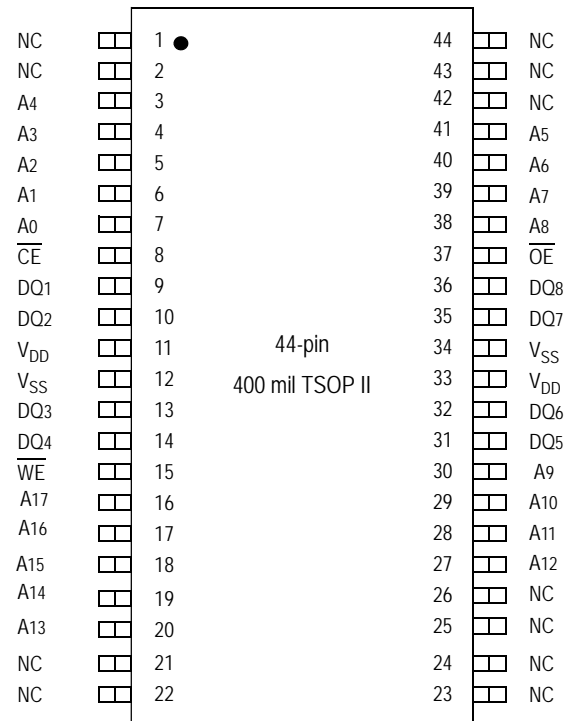
Description

The GS72108A is a high speed CMOS Static RAM organized as 262,144 words by 8 bits. Static design eliminates the need for external clocks or timing strobes. The GS operates on a single 3.3 V power supply and all inputs and outputs are TTL-compatible. The GS72108A is available in 400 mil TSOP Type-II packages.

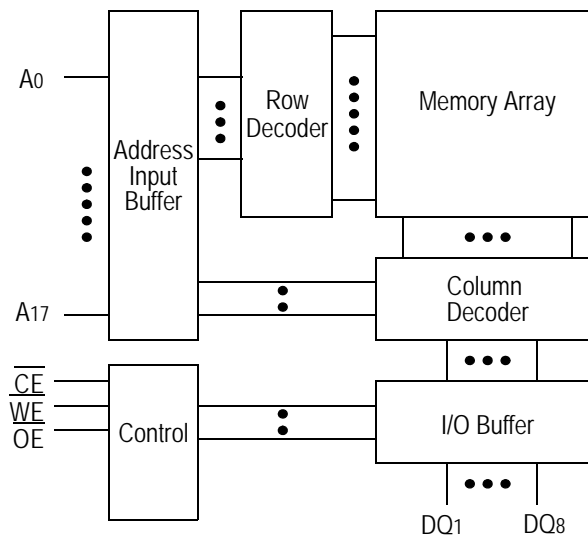
Pin Descriptions

| Symbol | Description |
|------------------|---------------------|
| A_0 – A_{17} | Address input |
| DQ_1 – DQ_8 | Data input/output |
| \overline{CE} | Chip enable input |
| \overline{WE} | Write enable input |
| \overline{OE} | Output enable input |
| V_{DD} | +3.3 V power supply |
| V_{SS} | Ground |
| NC | No connect |

TSOP-II 256K x 8-Pin Configuration



Block Diagram



Truth Table

| \overline{CE} | \overline{OE} | \overline{WE} | DQ1 to DQ8 | V_{DD} Current |
|-----------------|-----------------|-----------------|--------------|------------------|
| H | X | X | Not Selected | ISB1, ISB2 |
| L | L | H | Read | IDD |
| L | X | L | Write | |
| L | H | H | High Z | |

Note:

X: "H" or "L"

Absolute Maximum Ratings

| Parameter | Symbol | Rating | Unit |
|-----------------------------|-----------|--|-------------|
| Supply Voltage | V_{DD} | -0.5 to +4.6 | V |
| Input Voltage | V_{IN} | -0.5 to $V_{DD} + 0.5$ (≤ 4.6 V max.) | V |
| Output Voltage | V_{OUT} | -0.5 to $V_{DD} + 0.5$ (≤ 4.6 V max.) | V |
| Allowable power dissipation | PD | 0.7 | W |
| Storage temperature | T_{STG} | -55 to 150 | $^{\circ}C$ |

Note:

Permanent device damage may occur if Absolute Maximum Ratings are exceeded. Functional operation shall be restricted to Recommended Operating Conditions. Exposure to higher than recommended voltages for extended periods of time could affect device reliability.

Recommended Operating Conditions

| Parameter | Symbol | Min | Typ | Max | Unit |
|--|----------|------|-----|----------------|-------------|
| Supply Voltage for -7/-8/-10/-12 | V_{DD} | 3.0 | 3.3 | 3.6 | V |
| Input High Voltage | V_{IH} | 2.0 | — | $V_{DD} + 0.3$ | V |
| Input Low Voltage | V_{IL} | -0.3 | — | 0.8 | V |
| Ambient Temperature, Commercial Range | T_{Ac} | 0 | — | 70 | $^{\circ}C$ |
| Ambient Temperature, Industrial Range | T_{AI} | -40 | — | 85 | $^{\circ}C$ |

Notes:

1. Input overshoot voltage should be less than $V_{DD} + 2$ V and not exceed 20 ns.
2. Input undershoot voltage should be greater than -2 V and not exceed 20 ns.

Capacitance

| Parameter | Symbol | Test Condition | Max | Unit |
|--------------------|-----------|-----------------|-----|------|
| Input Capacitance | C_{IN} | $V_{IN} = 0$ V | 5 | pF |
| Output Capacitance | C_{OUT} | $V_{OUT} = 0$ V | 7 | pF |

Notes:

1. Tested at $T_A = 25^{\circ}C$, $f = 1$ MHz
2. These parameters are sampled and are not 100% tested.

DC I/O Pin Characteristics

| Parameter | Symbol | Test Conditions | Min | Max |
|------------------------|----------|--|------------|-----------|
| Input Leakage Current | I_{IL} | $V_{IN} = 0$ to V_{DD} | -1 μ A | 1 μ A |
| Output Leakage Current | I_{LO} | Output High Z $V_{OUT} = 0$ to V_{DD} | -1 μ A | 1 μ A |
| Output High Voltage | V_{OH} | $I_{OH} = -4$ mA | 2.4 | — |
| Output Low Voltage | V_{OL} | $I_{LO} = +4$ mA | — | 0.4 V |

Power Supply Currents

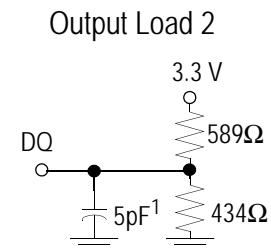
| Parameter | Symbol | Test Conditions | 0 to 70°C | | | | -40 to 85°C | | | |
|--------------------------|-----------------|---|-----------|--------|-------|-------|-------------|--------|--------|-------|
| | | | 7 ns | 8 ns | 10 ns | 12 ns | 7 ns | 8 ns | 10 ns | 12 ns |
| Operating Supply Current | $I_{DD} (max)$ | $\overline{CE} \leq V_{IL}$ All other inputs $\geq V_{IH}$ or $\leq V_{IL}$ Min. cycle time $I_{OUT} = 0$ mA | 135 mA | 115 mA | 95 mA | 80 mA | 140 mA | 120 mA | 100 mA | 85 mA |
| Standby Current | $I_{SB1} (max)$ | $\overline{CE} \geq V_{IH}$ All other inputs $\geq V_{IH}$ or $\leq V_{IL}$ Min. cycle time | 25 mA | 20 mA | 20 mA | 15 mA | 30 mA | 25 mA | 25 mA | 20 mA |
| Standby Current | $I_{SB2} (max)$ | $\overline{CE} \geq V_{DD} - 0.2$ V All other inputs $\geq V_{DD} - 0.2$ V or ≤ 0.2 V | 5 mA | | | | 10 mA | | | |

AC Test Conditions

| Parameter | Conditions |
|------------------------|-------------------------|
| Input high level | $V_{IH} = 2.4\text{ V}$ |
| Input low level | $V_{IL} = 0.4\text{ V}$ |
| Input rise time | $t_r = 1\text{ V/ns}$ |
| Input fall time | $t_f = 1\text{ V/ns}$ |
| Input reference level | 1.4 V |
| Output reference level | 1.4 V |
| Output load | Fig. 1 & 2 |

Notes:

1. Include scope and jig capacitance.
2. Test conditions as specified with output loading as shown in Fig. 1 unless otherwise noted.
3. Output load 2 for t_{LZ} , t_{HZ} , t_{OLZ} and t_{OHZ}



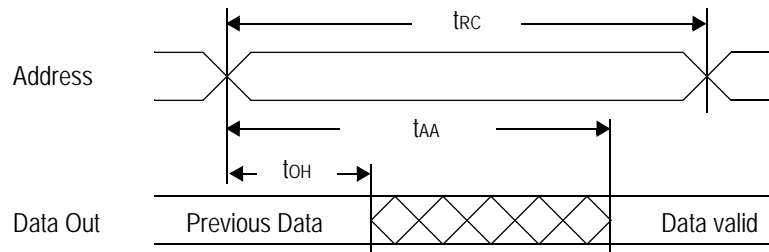
AC Characteristics

Read Cycle

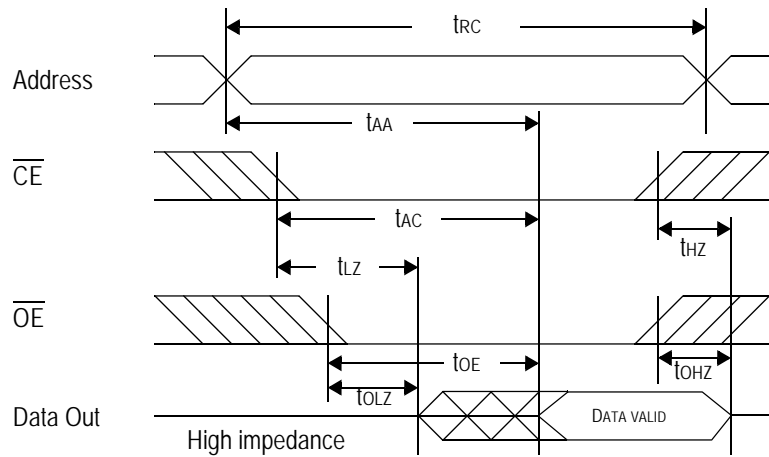
| Parameter | Symbol | -7 | | -8 | | -10 | | -12 | | Unit |
|--|-------------|-----|-----|-----|-----|-----|-----|-----|-----|------|
| | | Min | Max | Min | Max | Min | Max | Min | Max | |
| Read cycle time | t_{RC} | 7 | — | 8 | — | 10 | — | 12 | — | ns |
| Address access time | t_{AA} | — | 7 | — | 8 | — | 10 | — | 12 | ns |
| Chip enable access time (\overline{CE}) | t_{AC} | — | 7 | — | 8 | — | 10 | — | 12 | ns |
| Byte enable access time (\overline{UB} , \overline{LB}) | t_{AB} | — | 3 | — | 3.5 | — | 4 | — | 5 | ns |
| Output enable to output valid (\overline{OE}) | t_{OE} | — | 3 | — | 3.5 | — | 4 | — | 5 | ns |
| Output hold from address change | t_{OH} | 3 | — | 3 | — | 3 | — | 3 | — | ns |
| Chip enable to output in low Z (\overline{CE}) | t_{LZ}^* | 3 | — | 3 | — | 3 | — | 3 | — | ns |
| Output enable to output in low Z (\overline{OE}) | t_{OLZ}^* | 0 | — | 0 | — | 0 | — | 0 | — | ns |
| Byte enable to output in low Z (\overline{UB} , \overline{LB}) | t_{BLZ}^* | 0 | — | 0 | — | 0 | — | 0 | — | ns |
| Chip disable to output in High Z (\overline{CE}) | t_{HZ}^* | — | 3.5 | — | 4 | — | 5 | — | 6 | ns |
| Output disable to output in High Z (\overline{OE}) | t_{OHZ}^* | — | 3 | — | 3.5 | — | 4 | — | 5 | ns |

* These parameters are sampled and are not 100% tested.

Read Cycle 1: $\overline{CE} = \overline{OE} = V_{IL}, \overline{WE} = V_{IH}$



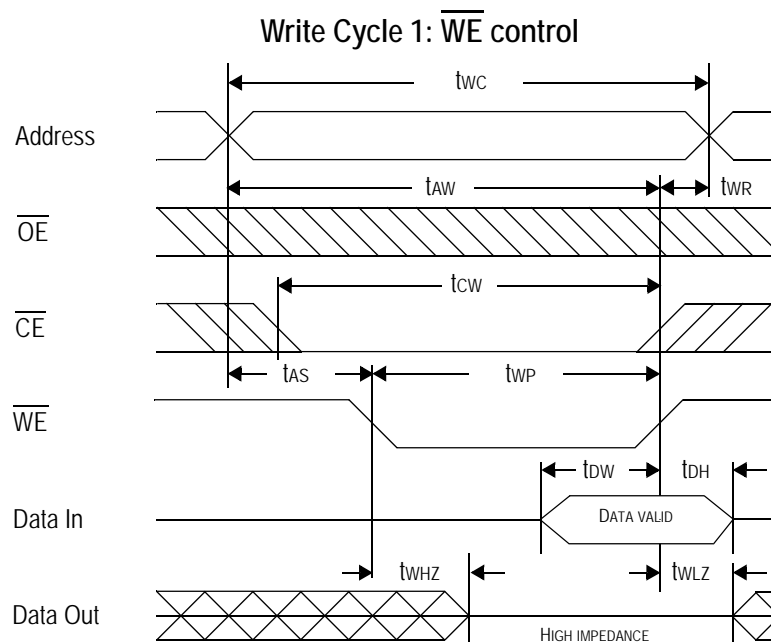
Read Cycle 2: $\overline{WE} = V_{IH}$



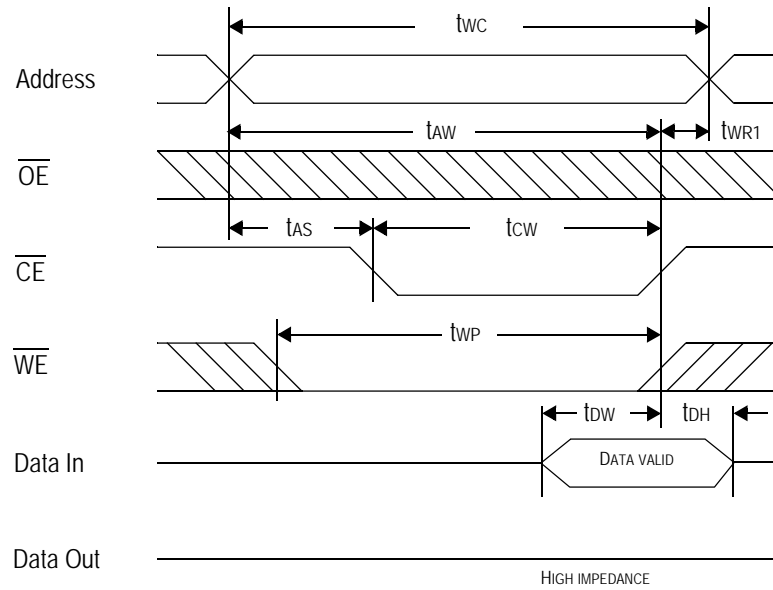
Write Cycle

| Parameter | Symbol | -7 | | -8 | | -10 | | -12 | | Unit |
|---|--------|-----|-----|-----|-----|-----|-----|-----|-----|------|
| | | Min | Max | Min | Max | Min | Max | Min | Max | |
| Write cycle time | tWC | 7 | — | 8 | — | 10 | — | 12 | — | ns |
| Address valid to end of write | tAW | 5 | — | 5.5 | — | 7 | — | 8 | — | ns |
| Chip enable to end of write | tCW | 5 | — | 5.5 | — | 7 | — | 8 | — | ns |
| Data set up time | tDW | 3.5 | — | 4 | — | 5 | — | 6 | — | ns |
| Data hold time | tDH | 0 | — | 0 | — | 0 | — | 0 | — | ns |
| Write pulse width | tWP | 5 | — | 5.5 | — | 7 | — | 8 | — | ns |
| Address set up time | tAS | 0 | — | 0 | — | 0 | — | 0 | — | ns |
| Write recovery time (\overline{WE}) | tWR | 0 | — | 0 | — | 0 | — | 0 | — | ns |
| Write recovery time (\overline{CE}) | tWR1 | 0 | — | 0 | — | 0 | — | 0 | — | ns |
| Output Low Z from end of write | tWLZ* | 3 | — | 3 | — | 3 | — | 3 | — | ns |
| Write to output in High Z | tWHZ* | — | 3 | — | 3.5 | — | 4 | — | 5 | ns |

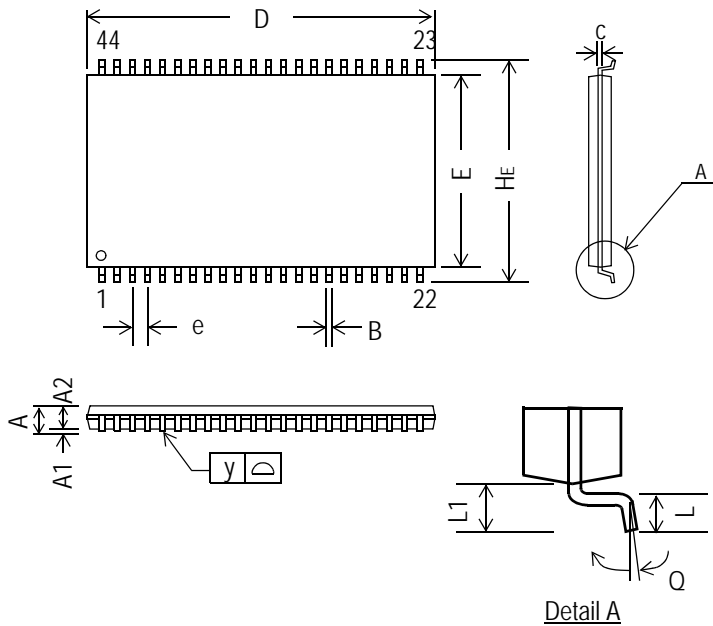
* These parameters are sampled and are not 100% tested.



Write Cycle 2: \overline{CE} control



44-Pin, 400 mil TSOP-II



| Symbol | Dimension in inch | | | Dimension in mm | | |
|--------|-------------------|-------|-------|-----------------|-------|-------|
| | min | nom | max | min | nom | max |
| A | — | — | 0.047 | — | — | 1.20 |
| A1 | 0.002 | — | — | 0.05 | — | — |
| A2 | 0.037 | 0.039 | 0.041 | 0.95 | 1.00 | 1.05 |
| B | 0.01 | 0.014 | 0.018 | 0.25 | 0.35 | 0.45 |
| c | — | 0.006 | — | — | 0.15 | — |
| D | 0.721 | 0.725 | 0.729 | 18.31 | 18.41 | 18.51 |
| E | 0.396 | 0.400 | 0.404 | 10.06 | 10.16 | 10.26 |
| e | — | 0.031 | — | — | 0.80 | — |
| HE | 0.455 | 0.463 | 0.471 | 11.56 | 11.76 | 11.96 |
| L | 0.016 | 0.020 | 0.024 | 0.40 | 0.50 | 0.60 |
| L1 | — | 0.031 | — | — | 0.80 | — |
| y | — | — | 0.004 | — | — | 0.10 |
| Q | 0° | — | 5° | 0° | — | 5° |

Notes:

1. Dimension D & E do not include interlead flash.
2. Dimension B does not include dambar protrusion/intrusion.
3. Controlling dimension: mm

Ordering Information

| Part Number* | Package | Access Time | Temp. Range |
|----------------|--------------------------------|-------------|-------------|
| GS72108AGP-7 | RoHS-compliant 400 mil TSOP-II | 7 ns | Commercial |
| GS72108AGP-8 | RoHS-compliant 400 mil TSOP-II | 8 ns | Commercial |
| GS72108AGP-10 | RoHS-compliant 400 mil TSOP-II | 10 ns | Commercial |
| GS72108AGP-12 | RoHS-compliant 400 mil TSOP-II | 12 ns | Commercial |
| GS72108AGP78I | RoHS-compliant 400 mil TSOP-II | 7 ns | Industrial |
| GS72108AGTP-8I | RoHS-compliant 400 mil TSOP-II | 8 ns | Industrial |
| GS72108AGP-10I | RoHS-compliant 400 mil TSOP-II | 10 ns | Industrial |
| GS72108AGP-12I | RoHS-compliant 400 mil TSOP-II | 12 ns | Industrial |

Notes:

1. Customers requiring delivery in Tape and Reel should add the character "T" to the end of the part number. For example: GS72108GP-8T.

2Mb Asynchronous Datasheet Revision History

| Rev. Code: Old; New | Types of Changes Format or Content | Revisions/Reason |
|----------------------------|---------------------------------------|--|
| 72108A_r1 | | • Creation of new datasheet |
| 72108A_r1; 72108A_r1_01 | Content | • Added 6 ns speed bin • Updated all power numbers |
| 72108A_r1_01; 72108A_r1_02 | Content | • Updated Recommended Operating Conditions table on page 4 • Changed FPBGA package from 6 x 10 to 6 x 8 (package U) |
| 72108A_r1_02; 72108A_r1_03 | Content | • Removed all references to "U" package |
| 72108A_r1_03; 72108A_r1_04 | Content | • Removed 6 ns speed bin from entire document • Added 7 ns speed bin to entire document |
| 72108A_r1_04; 72108A_r1_05 | Content | • Updated format • Added RoHS-compliant information for TSOP-II package |
| 72108A_r1_05; 72108A_r1_06 | Content | • Added RoHS-compliant 400 mil SOJ |
| 72108A_r1_06; 72108A_r1_07 | Content | • Updated to MP in ordering information table • Rev. 1.07a: Removed SOJ package references, removed Status Column from Ordering Information table |
| 72108A_r1_07; 72108A_r1_08 | Content | • Removed 5/6-RoHS TSOP-II references due to EOL |



Компания «ЭлектроПласт» предлагает заключение долгосрочных отношений при поставках импортных электронных компонентов на взаимовыгодных условиях!

Наши преимущества:

- Оперативные поставки широкого спектра электронных компонентов отечественного и импортного производства напрямую от производителей и с крупнейших мировых складов;
- Поставка более 17-ти миллионов наименований электронных компонентов;
- Поставка сложных, дефицитных, либо снятых с производства позиций;
- Оперативные сроки поставки под заказ (от 5 рабочих дней);
- Экспресс доставка в любую точку России;
- Техническая поддержка проекта, помощь в подборе аналогов, поставка прототипов;
- Система менеджмента качества сертифицирована по Международному стандарту ISO 9001;
- Лицензия ФСБ на осуществление работ с использованием сведений, составляющих государственную тайну;
- Поставка специализированных компонентов (Xilinx, Altera, Analog Devices, Intersil, Interpoint, Microsemi, Aeroflex, Peregrine, Syfer, Eurofarad, Texas Instrument, Miteq, Cobham, E2V, MA-COM, Hittite, Mini-Circuits, General Dynamics и др.);

Помимо этого, одним из направлений компании «ЭлектроПласт» является направление «Источники питания». Мы предлагаем Вам помощь Конструкторского отдела:

- Подбор оптимального решения, техническое обоснование при выборе компонента;
- Подбор аналогов;
- Консультации по применению компонента;
- Поставка образцов и прототипов;
- Техническая поддержка проекта;
- Защита от снятия компонента с производства.



Как с нами связаться

Телефон: 8 (812) 309 58 32 (многоканальный)

Факс: 8 (812) 320-02-42

Электронная почта: org@eplast1.ru

Адрес: 198099, г. Санкт-Петербург, ул. Калинина, дом 2, корпус 4, литера А.