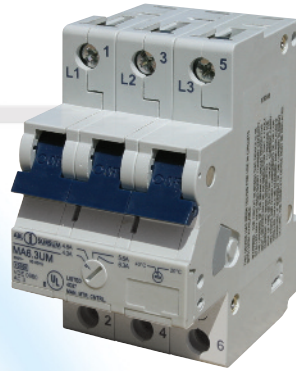


# MA- Series

## Three Phase Adjustable Trip Miniature Circuit Breakers/ Manual Motor Controllers



UL508 listed  
E137938



CAN/CSA-C22.2 No.14 certified



The MA was designed to handle the high inrush loads of 3 phase transformers, power supplies, motors, etc. The MA protects wiring and equipment from damage caused by the three major classes of over-current, yet greatly reduces the number of nuisance trips in high starting and inrush current circuits.

An IEC device with excellent ratings under a UL listing at 480Y/277V (including group ratings) and at 500V under international standards, the Altech/ABL Sursum MA provides short and long term cost effective circuit protection for USA and/or export applications. The short term advantages include: (1) adjustable thermal trip allows finalization of initial designs before procurement of the load equipment is complete; (2) snap-on mounting for readily available, internationally standardized DIN Rail saves panel layout design time as well as installation and change labor; (3) large cage-clamp terminals with screws suitable to power screwdrivers, simplifies and speeds wiring; (4) convenient switched disconnect during factory testing and/or initial start-up saves time and aggravation. The key long term advantage is customer satisfaction and proven over-current protection of wiring and equipment (and the lack of rework/repair costs).

### Type Designation

|     |     |     |     |
|-----|-----|-----|-----|
| MA  | 16  | U   | M   |
| (a) | (b) | (c) | (d) |

- (a) = MA - Manual Motor Controller
- (b) = Rated Current
- (c) = U - US Housing  
= R - US Housing + Ring Tongue
- (d) = M - Part No. Designation

|   |   |
|---|---|
| <b>Voltage Rating</b>   | 480Y/277V AC                                    |
| <b>AIC (Interrupt Capacity)</b>                                 | 0.16A-2.5A: 42kA; 4.0A-16A: 14kA; 20A-40A: 10kA |
| <b>Standard Short Circuit Withstand Rating (UL/CSA Ratings)</b> | 0.16A-2.5A: 42kA; 4.0A-16A: 14kA                |
| <b>Group Short Circuit Ratings (UL/CSA Ratings)</b>             | see above                                       |
| <b>Typical Life</b>   | 6000 on/off operations with 2xRC                |
| <b>Calibration Temperature</b>                                  | 25°C, +0°, -5° (77°F, +0° -9°)                  |
| <b>Standard Pack and Weight</b>                                 | 1/450g (1.0 lb.)                                |
| <b>Terminal Size Acceptability</b>                              | Top/Bottom: 18-3 AWG                            |
| <b>Terminal Torque (min/max)</b>                                | 2 Nm (17.7 lb.in.) / 2.5Nm (22.2 lb.in)         |

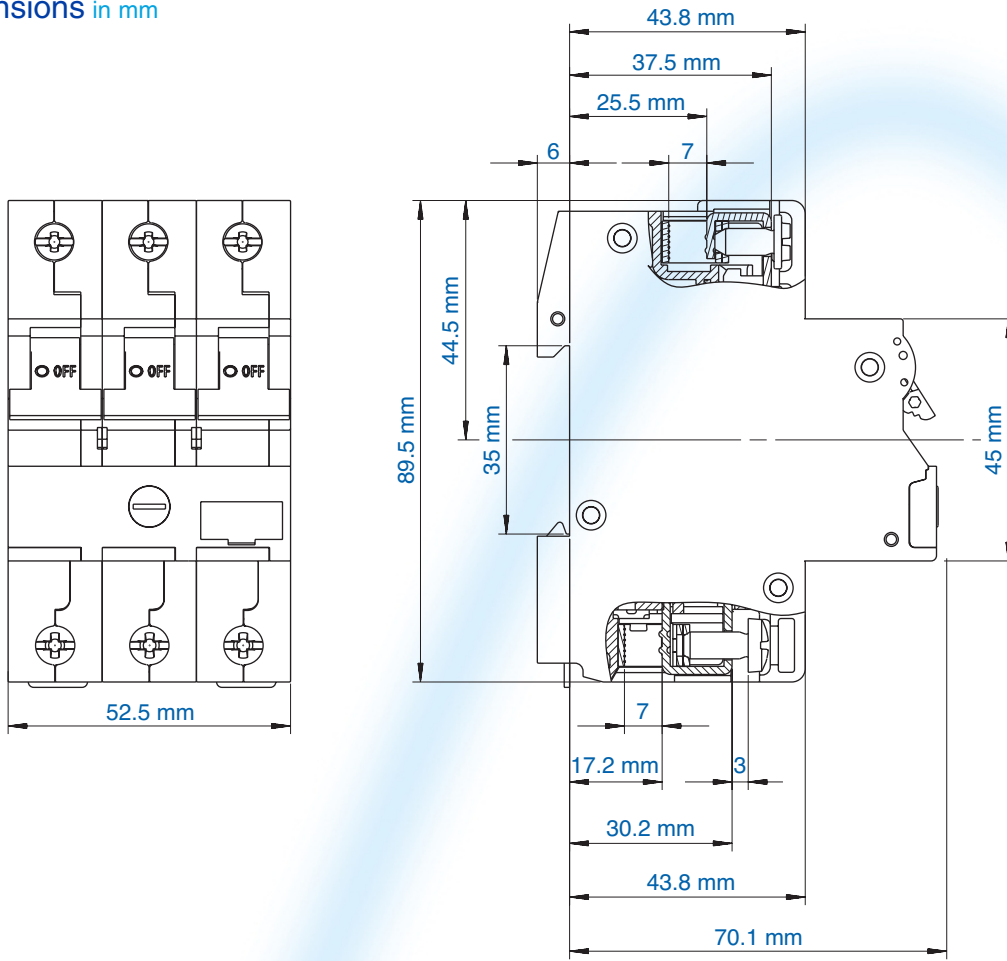
| Cat. No. | Rated Current | FLA Dial Adjustment Markings | GROUP SHORT CIRCUIT RATING AT 480VAC <sup>a</sup> (and BCP size) | 3Ø HORSEPOWER RATINGS AT NOMINAL LINE VOLTAGE (See Note for HEA Definition) |               |               |                   |                   |
|----------|---------------|------------------------------|--|---|---------------|---------------|-------------------|-------------------|
|          |               |                              |  | 110-120V HP (HEA)   | 200V HP (HEA) | 208V HP (HEA) | 220-240V HP (HEA) | 460-480V HP (HEA) |
| MA016UM  | 0.16A         | 0.1/ 0.12/0.14/0.16          | 42kARMS symmetrical (max. 1200A MCCB or RK5)                     |   |               |               |                   |                   |
| MA025UM  | 0.25A         | 0.16/0.19/0.22/0.25          |  |   |               |               |                   |                   |
| MA040UM  | 0.40A         | 0.25/0.30/0.35/0.40          |  |   |               |               |                   |                   |
| MA063UM  | 0.63A         | 0.40/0.48/0.56/0.63          |  |   |               |               |                   |                   |
| MA1.0UM  | 1.0A          | 0.63/0.75/0.87/1.0           |  |   |               |               |                   |                   |
| MA1.6UM  | 1.6A          | 1.0/1.2/1.4/1.6              |  |   |               |               |                   |                   |
| MA2.5UM  | 2.5A          | 1.6/1.9/2.2/2.5              | 14kARMS symmetrical (max. 350A MCCB or RK5)                      |   |               |               |                   |                   |
| MA4.0UM  | 4.0A          | 2.5/3.0/3.5/4.0              |  | 1/2 (4.0)   | 3/4 (3.2)     | 3/4 (3.1)     | 1 (3.6)           | 2 (3.42)          |
| MA6.3UM  | 6.3A          | 4.0/4.8/5.6/6.3              |  | 3/4 (5.6)   | 1 1/2 (6.0)   | 1 1/2 (5.7)   | 1 1/2 (5.2)       | 3 (4.8)           |
| MA10UM   | 10A           | 6.3/7.5/8.7/10               |  | 1 (7.2)   | 2 (7.8)       | 2 (7.5)       | 3 (9.6)           | 5 (7.6)           |
| MA16UM   | 16A           | 10/12/14/16                  |  | 2 (13.6)  | 3 (11.0)      | 3 (10.6)      | 5 (15.2)          | 10 (14.0)         |
| MA20UM   | 20A           | 16/17/18.5/20                |  | 3 (19.2)  | 5 (17.5)      | 5 (16.7)      | 5 (15.2)          | 10 (14.0)         |
| MA25UM   | 25A           | 20/21.5/23/25                |  | 3 (19.2)  | 5 (17.5)      | 7 1/2 (24.2)  | 7 1/2 (22.0)      | 15 (21.0)         |
| MA32UM   | 32A           | 25/27/30/32                  |  | 5 (30.4)  | 7 1/2 (25.0)  | 7 1/2 (24.2)  | 10 (28.0)         | 20 (27.0)         |
| MA40UM   | 40A           | 32/34/37/40                  |  | 5 (30.4)  | 10 (32.0)     | 10 (31.0)     | 10 (28.0)         | 25 (34.0)         |

Through MA2.5U, ampere rated for motor circuits having a full-load-amperage (FLA) not exceeding the MA's general purpose rated current (RC, equals maximum dial setting) and a locked rotor current not exceeding 6 times the MA's RC.

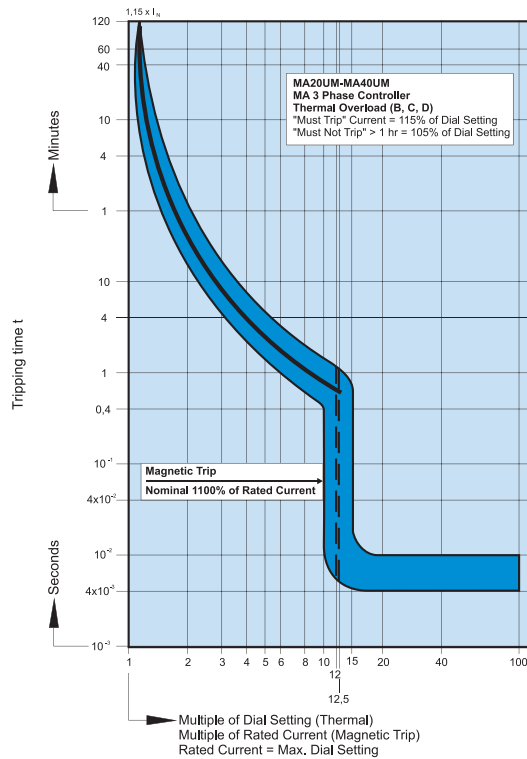
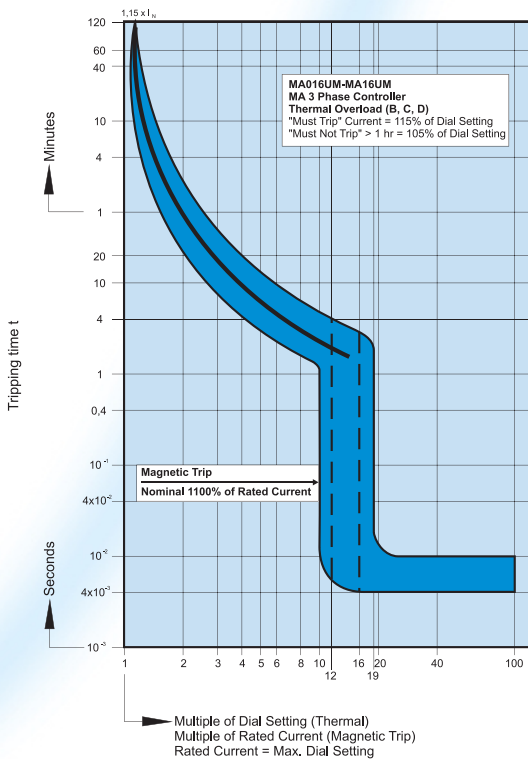
Note: **HEA - Horsepower Equivalent Amperes**, the nominal amperage assigned to standard motor horsepower ratings in design guide tables such as NFPA-70 Tables 430-248, 430-249, 430-250; UL1077 Table 16.2; CSA - C22.2 No. 235-M89 Tables 44 and 45; CSA-C22.2 No. 14-M91 Table 19, etc. Multiply HEA values (in parenthesis) by 1.1 if power factor is 90%, and by 1.2 if power factor is 80%.

<sup>a</sup> The standard-circuit short-circuit rating is 14kA for all types. Group ratings can be used in a standard circuit (e.g., MA1.0U at 42kA), but a higher standard rating cannot be used in a group circuit (e.g., MA40U at 14kA only in standard circuit.)

Dimensions in mm



**MA- Series Trip Curves**



MA/USA Manual Motor Controller

**UL508**



## Auxiliary Contact, Alarm Switch

| Type/ Cat No. | Description                   | Contacts Type      | Std Pk |
|---------------|-------------------------------|--------------------|--------|
| H10UM         | 1 Auxiliary Contact           | 1NO                | 6      |
| H11UM         | 2 Auxiliary Contacts          | 1NO + 1NC          | 6      |
| H12UM         | 3 Auxiliary Contacts          | 1NO + 2NC          | 6      |
| H21UM         | 3 Auxiliary Contacts          | 2NO + 1NC          | 6      |
| HLS11M*       | 1 Auxiliary/1 Signal Contacts | 1CO + 1CO (Signal) | 6      |

|                                 |   |
|---------------------------------|---|
| <b>Rated Operating Currents</b> | 10A @ 240V AC<br>3A @ 110V AC<br>1A @ 220V AC |
|---------------------------------|---|

|                             |                      |
|-----------------------------|----------------------|
| <b>Minimum Contact Load</b> | 1mA @ 24V DC         |
| <b>Torque</b>               | max. 0.8Nm (7 lb.in) |

|                                   |   |
|-----------------------------------|---|
| <b>Wire Range:</b>                |   |
| <b>Single Wire</b>                | 1.0mm <sup>2</sup> - 2.5mm <sup>2</sup> (18-14 AWG) |
| <b>Stranded Wire</b>              | 1.0mm <sup>2</sup> - 1.5mm <sup>2</sup> (18-16 AWG) |
| <b>Stranded Wire with Ferrule</b> | 1.0mm <sup>2</sup> - 1.5mm <sup>2</sup> (18-16 AWG) |

## Shunt Trip

| Type/ Cat No. | Description                  | Max. Operating Current @ Un                 | Std Pk |
|---------------|------------------------------|---|--------|
| FA12UM        | 12V AC/DC                    | 1.3A  | 5      |
| FA24UM        | 24V AC/DC                    | 0.6A  | 5      |
| FA48UM        | 48 - 72V AC/DC               | 0.2A  | 5      |
| FA110UM       | 110 - 240V AC/DC,<br>277V AC | 0.25A @ 110V<br>0.5A @ 240V<br>0.58A @ 277V | 5      |

## Undervoltage Trip\*

| Type/ Cat No. | Line Voltage V <sub>E</sub> | Std Pk |
|---------------|-----------------------------|--------|
| UA120UM       | 120V AC, 60Hz               | 5      |

Reset-Hold Voltage = 0.85 x V<sub>E</sub>  
Drop-Out Voltage = 0.35 ~ 0.7 x V<sub>E</sub>

V<sub>E</sub> = Rated Voltage

## Neutral Pole

| Type/ Cat No. | Rated Current In | Rated Voltage | Std Pk |
|---------------|------------------|---------------|--------|
| N63UM         | 0.3 - 63A        | 480Y/277V AC  | 6      |

## Touch Protection Caps

to cover the terminal screw holes on the switching devices, neutral Poles and shunt trips for increased touch protection.

| Type/ Cat No. | Std Pk |
|---------------|--------|
| BS.UL         | 100    |

## Mounting Screw 34mm

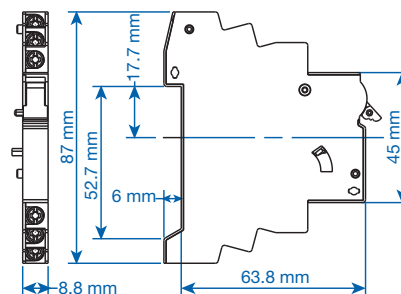
to connect the auxiliary contact and shunt trip or neutral Pole to the circuit breaker.

| Type/ Cat No. | Std Pk |
|---------------|--------|
| E983419       | 10     |

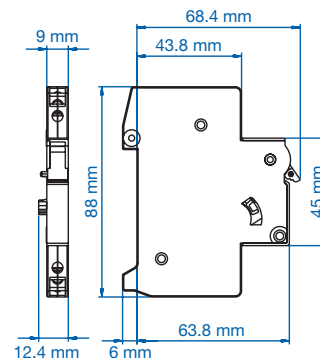


## Lock-out Adapter

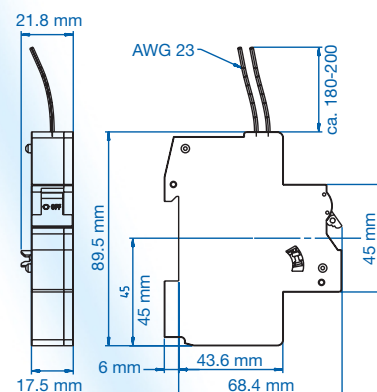
| Type/ Cat No. | Std Pk |
|---------------|--------|
| EASS          | 10     |



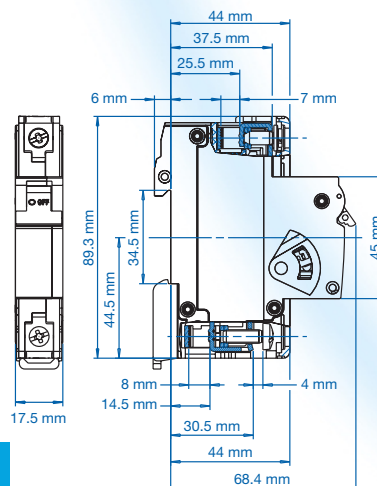
Dimensions HxxUM.



Dimensions HLS11M.



Dimensions UA120UM.



Dimensions N63UM, FAxXUM.

\* UL Pending

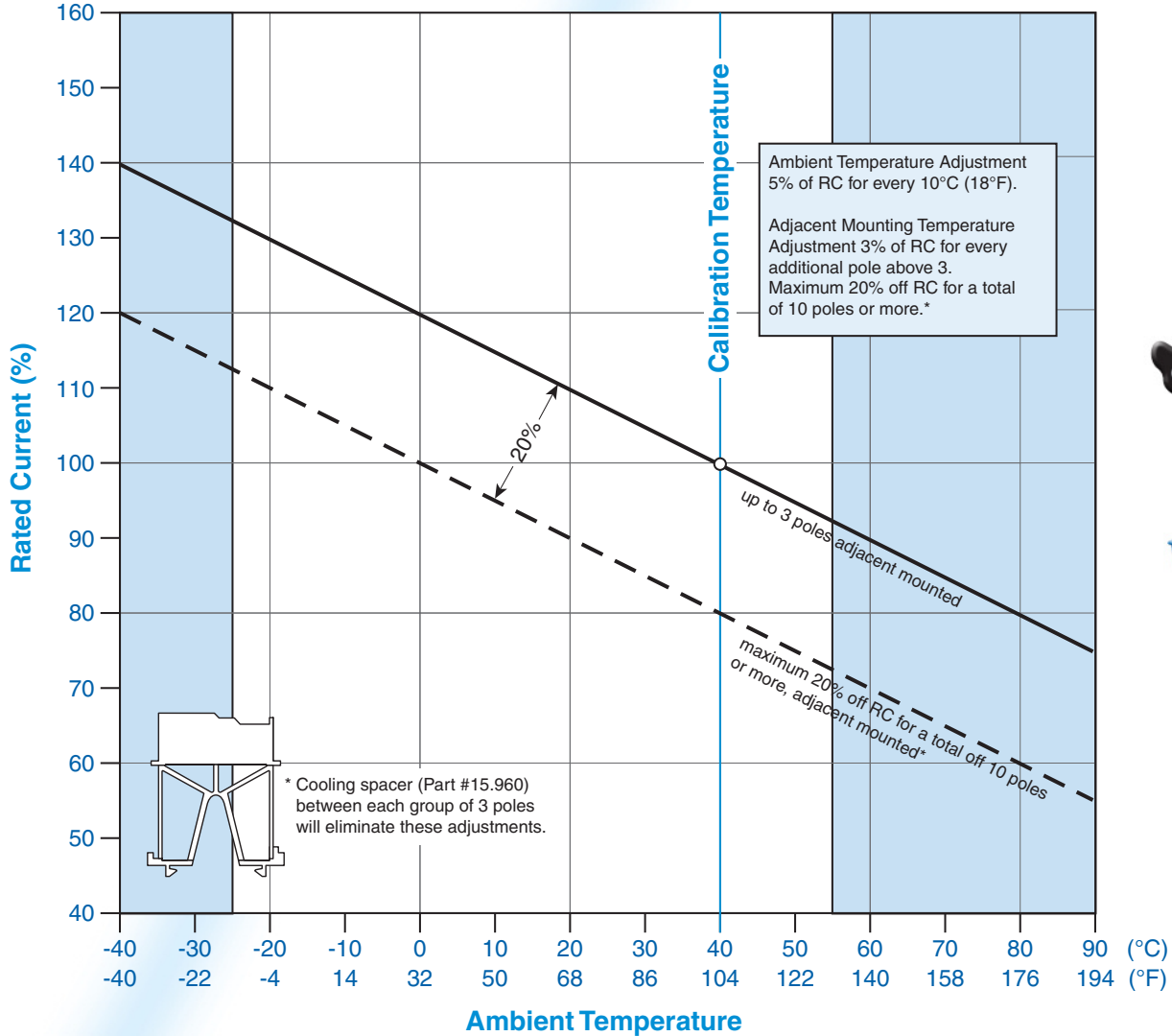


**Cooling Spacer**  
Cat. No. 15.960

**TEMPERATURE CORRECTION CURVE**

Ambient Temperature and Adjacent Mounting/Loading Adjustment

(V-EA/MA Ambient Temperature - 25°C to 55°C, Storage Temperature -40°C to 70°C)



\* V-EA and MA can also be locked in the on and off position by simply using a common lead or meter seal, which gets fed through the hole in the handle and a corresponding hole in the housing.



Компания «ЭлектроПласт» предлагает заключение долгосрочных отношений при поставках импортных электронных компонентов на взаимовыгодных условиях!

Наши преимущества:

- Оперативные поставки широкого спектра электронных компонентов отечественного и импортного производства напрямую от производителей и с крупнейших мировых складов;
- Поставка более 17-ти миллионов наименований электронных компонентов;
- Поставка сложных, дефицитных, либо снятых с производства позиций;
- Оперативные сроки поставки под заказ (от 5 рабочих дней);
- Экспресс доставка в любую точку России;
- Техническая поддержка проекта, помощь в подборе аналогов, поставка прототипов;
- Система менеджмента качества сертифицирована по Международному стандарту ISO 9001;
- Лицензия ФСБ на осуществление работ с использованием сведений, составляющих государственную тайну;
- Поставка специализированных компонентов (Xilinx, Altera, Analog Devices, Intersil, Interpoint, Microsemi, Aeroflex, Peregrine, Syfer, Eurofarad, Texas Instrument, Miteq, Cobham, E2V, MA-COM, Hittite, Mini-Circuits, General Dynamics и др.);

Помимо этого, одним из направлений компании «ЭлектроПласт» является направление «Источники питания». Мы предлагаем Вам помощь Конструкторского отдела:

- Подбор оптимального решения, техническое обоснование при выборе компонента;
- Подбор аналогов;
- Консультации по применению компонента;
- Поставка образцов и прототипов;
- Техническая поддержка проекта;
- Защита от снятия компонента с производства.



#### Как с нами связаться

**Телефон:** 8 (812) 309 58 32 (многоканальный)

**Факс:** 8 (812) 320-02-42

**Электронная почта:** [org@eplast1.ru](mailto:org@eplast1.ru)

**Адрес:** 198099, г. Санкт-Петербург, ул. Калинина, дом 2, корпус 4, литера А.