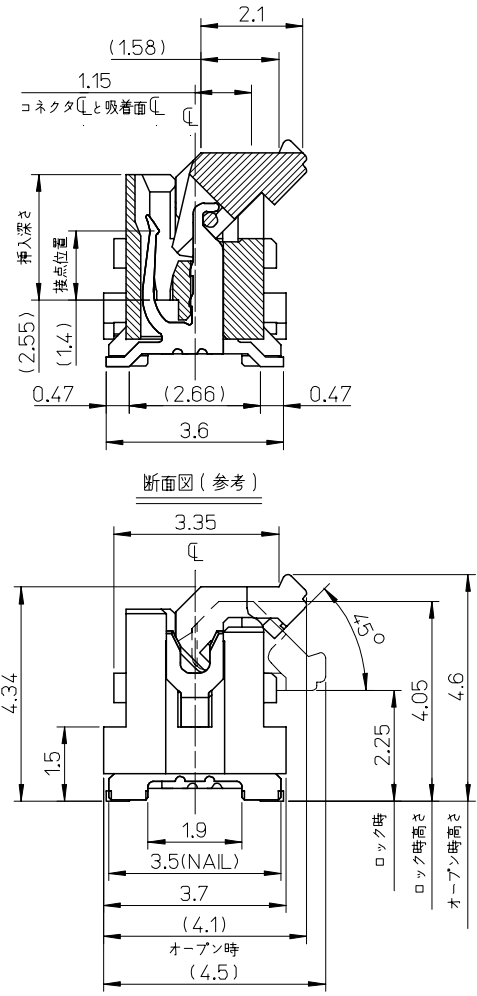
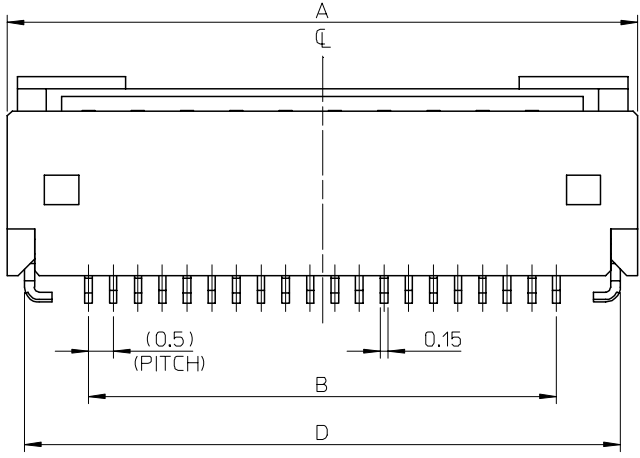
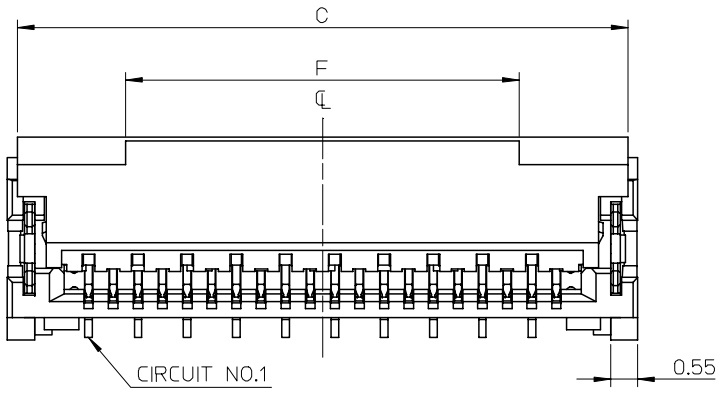


10 9 8 7 6 5 4 3 2 1



注記
NOTES
~~~~~

- 材質  
MATERIAL  
ハウジング: LCP (液晶ポリマー), ガラス充填, 白色, UL94V-0  
HOUSING: LCP (LIQUID CRYSTAL POLYMER),  
GLASS FILLED, WHITE, UL94V-0  
アクチュエータ: ポリアミド 9T, ガラス充填, 茶色, UL94V-0  
ACTUATOR: POLYAMIDE 9T,  
GLASS FILLED, BROWN, UL94V-0  
ターミナル: 銅合金 (t=0.15)  
TERMINAL: COPPER ALLOY (t=0.15)  
金具: 銅合金 (t=0.2)  
NAIL: COPPER ALLOY (t=0.2)
- メッキ仕様  
PLATING  
ターミナル  
TERMINAL  
銅ビスマスメッキ  
TIN BISMUTH PLATING  
下地メッキ: ニッケルメッキ  
UNDER PLATING: NICKEL PLATING  
金具  
NAIL  
銅メッキ  
TIN PLATING  
下地メッキ: ニッケルメッキ  
UNDER PLATING: NICKEL PLATING
- テールと金具を併せた平坦度は、0.1ミリメートル以下。  
TAILS AND NAILS COPLANARITY TO BE 0.1 MAXIMUM.
- ELV及びRoHS適合品  
ELV AND ROHS COMPLIANT.

|   |      |      |      |      |      |              |          |
|---|------|------|------|------|------|--------------|----------|
| 8 | 30.7 | 32.1 | 32.4 | 29.5 | 32.8 | 501951-6009  | 60       |
|   | 25.7 | 27.1 | 27.4 | 24.5 | 27.8 | 501951-5009  | 50       |
|   | 23.2 | 24.6 | 24.9 | 22   | 25.3 | 501951-4509  | 45       |
|   | 20.7 | 22.1 | 22.4 | 19.5 | 22.8 | 501951-4009  | 40       |
|   | 16.7 | 18.1 | 18.4 | 15.5 | 18.8 | 501951-3209  | 32       |
|   | 15.7 | 17.1 | 17.4 | 14.5 | 17.8 | 501951-3009  | 30       |
|   | 12.7 | 14.1 | 14.4 | 11.5 | 14.8 | 501951-2409  | 24       |
| F | E    | D    | C    | B    | A    | MATERIAL NO. | CIRCUITS |

|                                                                                                                 |                                       |            |                                                                                                                               |                               |                                                                        |                        |  |
|-----------------------------------------------------------------------------------------------------------------|---------------------------------------|------------|-------------------------------------------------------------------------------------------------------------------------------|-------------------------------|------------------------------------------------------------------------|------------------------|--|
| REVISED<br>EC NO: J2007-2987<br>DRWN: TRSUZUKI 2007/04/26<br>CHKD: HIRATA 2007/04/26<br>APPR: HIRATA 2007/04/26 | GENERAL TOLERANCES (UNLESS SPECIFIED) |            | DIMENSION STYLE<br>MM ONLY                                                                                                    | SCALE<br>10:1                 | DESIGN UNITS<br>METRIC                                                 | THIRD ANGLE PROJECTION |  |
|                                                                                                                 | 10 UNDER                              | ±0.2       | DRAWN BY<br>TRSUZUKI                                                                                                          | DATE<br>2005/12/05            | TITLE<br>0.5 FPC CONN. HSG ASSY<br>EASY ON / STRAIGHT<br>(TIN-BISMUTH) |                        |  |
|                                                                                                                 | 10 OVER 30 UNDER                      | ±0.25      | CHECKED BY<br>HIRATA                                                                                                          | DATE<br>2005/12/05            |                                                                        |                        |  |
|                                                                                                                 | 30 OVER                               | ±0.3       | APPROVED BY<br>MSASAO                                                                                                         | DATE<br>2005/12/05            | MOLEX INCORPORATED                                                     |                        |  |
|                                                                                                                 | ANGULAR                               | ±1 °       | MATERIAL NO.                                                                                                                  | DOCUMENT NO.<br>SD-501951-001 |                                                                        |                        |  |
| DRAFT WHERE APPLICABLE<br>MUST REMAIN<br>WITHIN DIMENSIONS                                                      |                                       | SIZE<br>A3 | THIS DRAWING CONTAINS INFORMATION THAT IS PROPRIETARY TO MOLEX INCORPORATED AND SHOULD NOT BE USED WITHOUT WRITTEN PERMISSION |                               |                                                                        |                        |  |

10 9 8 7 6 5 4 3 2 1

F

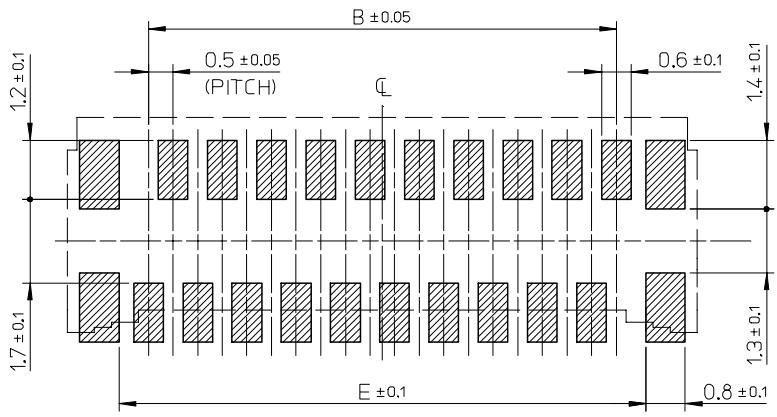
E

D

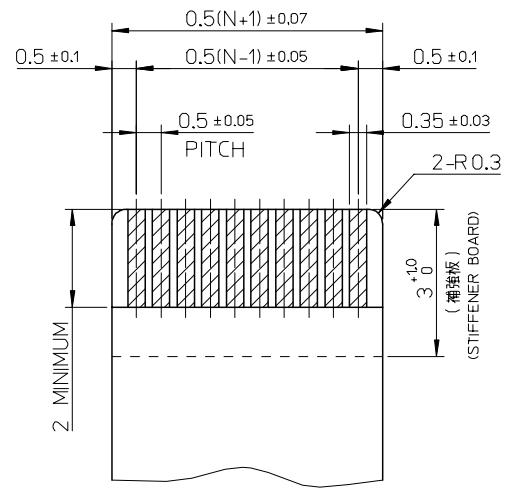
C

B

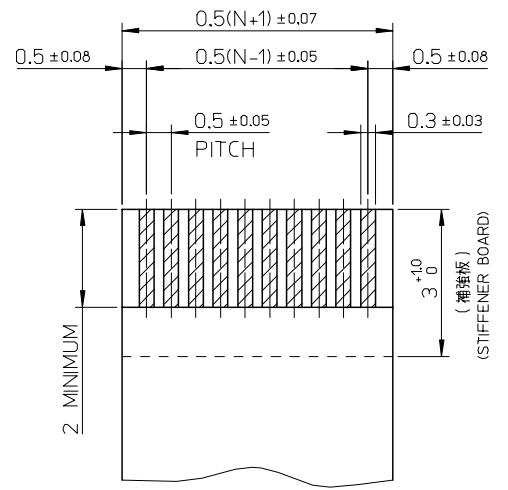
A



参考基板レイアウト (マウント面)  
P.C. BOARD PATTERN DIMENSION (REF.)  
(MOUNT AREA)



適合FPC推奨寸法  
APPLICABLE FPC  
RECOMMENDED DIMENSION  
(仕上がり厚さ: 0.3 ± 0.03)  
(THICKNESS: 0.3 ± 0.03)  
N: 極数  
N: CIRCUITS



適合FFC推奨寸法  
APPLICABLE FFC  
RECOMMENDED DIMENSION  
(仕上がり厚さ: 0.3 ± 0.03)  
(THICKNESS: 0.3 ± 0.03)  
N: 極数  
N: CIRCUITS

FPCについて:  
打抜き方向は導体側から精強板側を推奨致します。  
補強フィルム材質はポリイミドを推奨致します。  
接着剤は熱硬化接着剤を推奨致します。

ABOUT FPC:  
RECOMMENDED PUNCHER DIRECTION:  
FROM CONDUCTOR SIDE TO STIFFENER BOARD SIDE.  
RECOMMENDED MATERIAL:  
STIFFENER FILM: POLYIMIDE  
BONDING AGENT: THERMOSETTING BONDING AGENT

|                                                                                                                     |                                       |                                                                                                                               |                            |                               |                                                                        |                        |                        |  |
|---------------------------------------------------------------------------------------------------------------------|---------------------------------------|-------------------------------------------------------------------------------------------------------------------------------|----------------------------|-------------------------------|------------------------------------------------------------------------|------------------------|------------------------|--|
| SEE SHEET 1<br>EC NO: J2007-2987<br>DRWN: TRSUZUKI 2007/04/26<br>CHKD: HIRATA 2007/04/26<br>APPR: HIRATA 2007/04/26 | GENERAL TOLERANCES (UNLESS SPECIFIED) |                                                                                                                               | DIMENSION STYLE<br>MM ONLY |                               | SCALE<br>10:1                                                          | DESIGN UNITS<br>METRIC | THIRD ANGLE PROJECTION |  |
|                                                                                                                     | 10 UNDER                              | ± 0.2                                                                                                                         | DRAWN BY<br>TRSUZUKI       | DATE<br>2005/12/05            | TITLE<br>0.5 FPC CONN. HSG ASSY<br>EASY ON / STRAIGHT<br>(TIN-BISMUTH) |                        |                        |  |
|                                                                                                                     | 10 OVER 30 UNDER                      | ± 0.25                                                                                                                        | CHECKED BY<br>HIRATA       | DATE<br>2005/12/05            |                                                                        |                        |                        |  |
|                                                                                                                     | 30 OVER                               | ± 0.3                                                                                                                         | APPROVED BY<br>MSASAO      | DATE<br>2005/12/05            | MOLEX INCORPORATED                                                     |                        |                        |  |
| ANGULAR                                                                                                             | ± 1 °                                 | MATERIAL NO.<br>SEE SHEET 1                                                                                                   |                            | DOCUMENT NO.<br>SD-501951-001 |                                                                        |                        |                        |  |
| DRAFT WHERE APPLICABLE MUST REMAIN WITHIN DIMENSIONS                                                                |                                       | THIS DRAWING CONTAINS INFORMATION THAT IS PROPRIETARY TO MOLEX INCORPORATED AND SHOULD NOT BE USED WITHOUT WRITTEN PERMISSION |                            |                               |                                                                        |                        |                        |  |

10 9 8 7 6 5 4 3 2 1

F

E

D

C

B

A

F

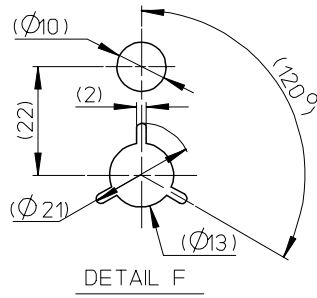
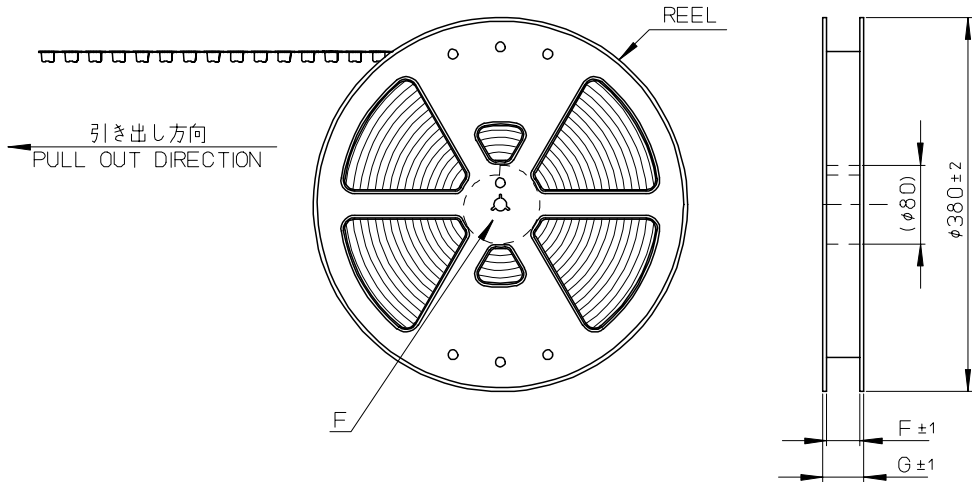
E

D

C

B

A



NOTES

- 製品詳細寸法については SD-501951-001 を参照ください。  
RE DETAILED DIMENSION, SEE SD-501951-001
- 梱包数量：2000 個/リール  
NUMBER OF CONNECTORS : 2000 PIECES/REEL
- リードテープ長さ  
LEAD TAPE LENGTH
- 材料  
MATERIAL  
キャリアテープ：ポリプロピレン (PP)  
CARRIER TAPE: POLYPROPYLENE (PP)  
トップテープ：PET, PE, REF  
TOP TAPE  
リール：ポリスチレン (リサイクル材を含む)  
REEL : POLYSTYRENE (RECYCLE MATERIAL CONTAINED)
- ELV 及び RoHS 適合品  
ELV AND RoHS COMPLIANT.

|                                                                                                                 |             |                                                                                                                               |        |                 |            |                                                                    |                        |           |  |
|-----------------------------------------------------------------------------------------------------------------|-------------|-------------------------------------------------------------------------------------------------------------------------------|--------|-----------------|------------|--------------------------------------------------------------------|------------------------|-----------|--|
| REVISED<br>EC NO: J2007-2987<br>DRWN: TRSUZUKI 2007/04/26<br>CHKD: HIRATA 2007/04/26<br>APPR: HIRATA 2007/04/26 | DESCRIPTION | GENERAL TOLERANCES (UNLESS SPECIFIED)                                                                                         |        | DIMENSION STYLE | SCALE      | DESIGN UNITS                                                       | THIRD ANGLE PROJECTION |           |  |
|                                                                                                                 |             |                                                                                                                               |        | MM ONLY         | ---        | METRIC                                                             |                        |           |  |
|                                                                                                                 |             | 10 UNDER                                                                                                                      | ± 0.2  | DRAWN BY        | DATE       | TITLE                                                              |                        |           |  |
|                                                                                                                 |             | 10 OVER 30 UNDER                                                                                                              | ± 0.25 | TRSUZUKI        | 2005/12/05 | 0.5 FPC CONN. HSG ASSY<br>E/O STRAIGHT EMBSTP PKG<br>(TIN-BISMUTH) |                        |           |  |
|                                                                                                                 |             | 30 OVER                                                                                                                       | ± 0.3  | CHECKED BY      | DATE       | MOLEX INCORPORATED                                                 |                        |           |  |
|                                                                                                                 |             | ANGULAR                                                                                                                       | ± 1 °  | APPROVED BY     | DATE       | SD-501951-002                                                      |                        |           |  |
|                                                                                                                 |             | DRAFT WHERE APPLICABLE MUST REMAIN WITHIN DIMENSIONS                                                                          |        | MSASAO          | 2005/12/05 | DOCUMENT NO.                                                       |                        | SHEET NO. |  |
|                                                                                                                 |             |                                                                                                                               |        | SEE SHEET 2     |            | SD-501951-002                                                      |                        | 1 OF 2    |  |
|                                                                                                                 |             | THIS DRAWING CONTAINS INFORMATION THAT IS PROPRIETARY TO MOLEX INCORPORATED AND SHOULD NOT BE USED WITHOUT WRITTEN PERMISSION |        |                 |            |                                                                    |                        |           |  |

10 9 8 7 6 5 4 3 2 1

F

E

D

C

B

A

F

E

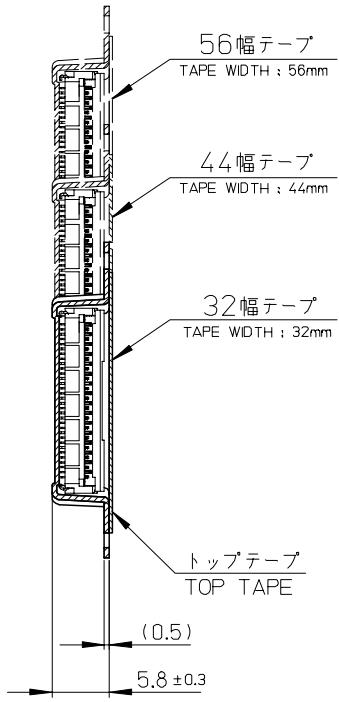
D

C

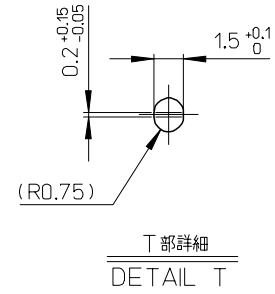
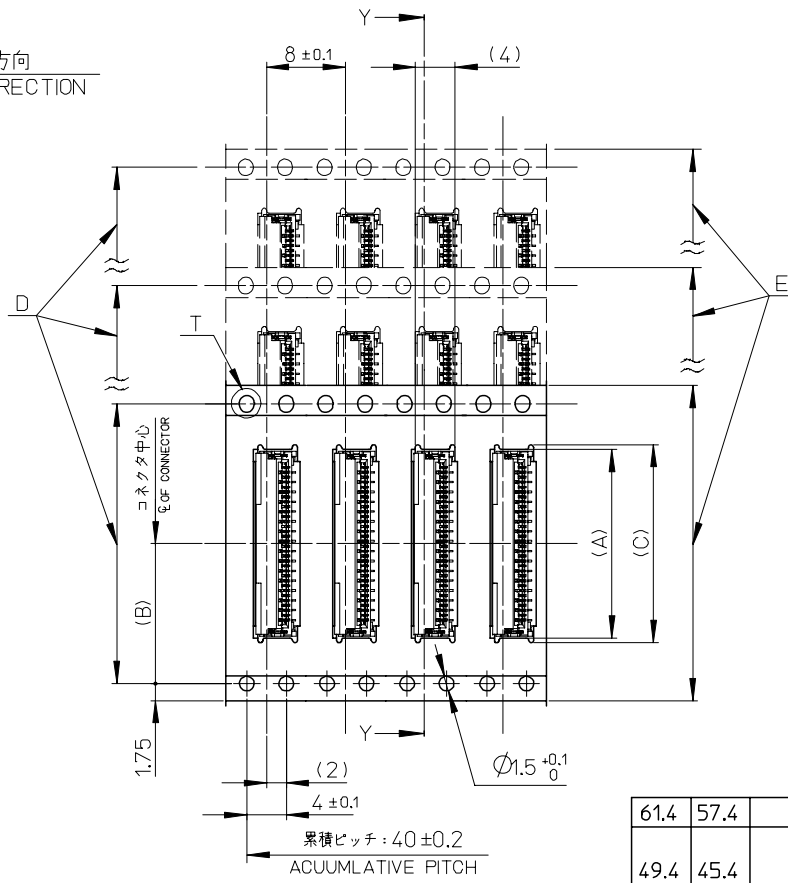
B

A

引き出し方向  
PULL OUT DIRECTION



断面 Y-Y  
SECTION Y-Y



|      |      |                                     |      |      |      |      |                      |                |
|------|------|-------------------------------------|------|------|------|------|----------------------|----------------|
| 61.4 | 57.4 | 56 ± 0.3                            | 52.4 | 34.1 | 26.2 | 33.1 | 501951-6000          | 60             |
| 49.4 | 45.4 | 44 ± 0.3                            | 40.4 | 29.1 | 20.2 | 28.1 | 501951-5000          | 50             |
|      |      |                                     |      | 24.1 |      | 23.1 | 501951-4500          | 45             |
| 37.4 | 33.4 | 32 ± 0.3                            | 28.4 | 20.1 | 14.2 | 19.1 | 501951-3200          | 32             |
|      |      |                                     |      | 16.1 |      | 18.1 | 501951-3000          | 30             |
|      |      |                                     |      |      |      | 15.1 | 501951-2400          | 24             |
| G    | F    | E<br>キャリアテープ幅<br>CARRIER TAPE WIDTH | D    | (C)  | (B)  | (A)  | 製品番号<br>MATERIAL NO. | 極数<br>CIRCUITS |

|                                                                                |                                                       |                                       |        |                                                            |                    |                                                                             |                               |                        |                     |  |
|--------------------------------------------------------------------------------|-------------------------------------------------------|---------------------------------------|--------|------------------------------------------------------------|--------------------|-----------------------------------------------------------------------------|-------------------------------|------------------------|---------------------|--|
| REVISED<br>EC NO: J2007-2987<br>DRWN: TRSUZUKI<br>CHKD: HIRATA<br>APPR: HIRATA | DESCRIPTION<br>2007/04/26<br>2007/04/26<br>2007/04/26 | GENERAL TOLERANCES (UNLESS SPECIFIED) |        | DIMENSION STYLE<br>MM ONLY                                 |                    | SCALE<br>---                                                                | DESIGN UNITS<br>METRIC        | THIRD ANGLE PROJECTION |                     |  |
|                                                                                |                                                       | 10 UNDER                              | ± 0.2  | DRAWN BY<br>TRSUZUKI                                       | DATE<br>2005/12/05 | TITLE<br>0.5 FPC CONN. HSG ASSY<br>E/O STRAIGHT EMBSTP PKG<br>(TIN-BISMUTH) |                               |                        |                     |  |
|                                                                                |                                                       | 10 OVER 30 UNDER                      | ± 0.25 | CHECKED BY<br>HIRATA                                       | DATE<br>2005/12/05 | MOLEX INCORPORATED                                                          |                               |                        |                     |  |
|                                                                                |                                                       | 30 OVER                               | ± 0.3  | APPROVED BY<br>MSASAO                                      | DATE<br>2005/12/05 | MATERIAL NO. SEE CHART                                                      |                               |                        |                     |  |
|                                                                                |                                                       | ANGULAR                               | ± 1 °  | DRAFT WHERE APPLICABLE<br>MUST REMAIN<br>WITHIN DIMENSIONS |                    |                                                                             | DOCUMENT NO.<br>SD-501951-002 |                        | SHEET NO.<br>2 OF 2 |  |



Компания «ЭлектроПласт» предлагает заключение долгосрочных отношений при поставках импортных электронных компонентов на взаимовыгодных условиях!

Наши преимущества:

- Оперативные поставки широкого спектра электронных компонентов отечественного и импортного производства напрямую от производителей и с крупнейших мировых складов;
- Поставка более 17-ти миллионов наименований электронных компонентов;
- Поставка сложных, дефицитных, либо снятых с производства позиций;
- Оперативные сроки поставки под заказ (от 5 рабочих дней);
- Экспресс доставка в любую точку России;
- Техническая поддержка проекта, помощь в подборе аналогов, поставка прототипов;
- Система менеджмента качества сертифицирована по Международному стандарту ISO 9001;
- Лицензия ФСБ на осуществление работ с использованием сведений, составляющих государственную тайну;
- Поставка специализированных компонентов (Xilinx, Altera, Analog Devices, Intersil, Interpoint, Microsemi, Aeroflex, Peregrine, Syfer, Eurofarad, Texas Instrument, Miteq, Cobham, E2V, MA-COM, Hittite, Mini-Circuits, General Dynamics и др.);

Помимо этого, одним из направлений компании «ЭлектроПласт» является направление «Источники питания». Мы предлагаем Вам помощь Конструкторского отдела:

- Подбор оптимального решения, техническое обоснование при выборе компонента;
- Подбор аналогов;
- Консультации по применению компонента;
- Поставка образцов и прототипов;
- Техническая поддержка проекта;
- Защита от снятия компонента с производства.



#### Как с нами связаться

**Телефон:** 8 (812) 309 58 32 (многоканальный)

**Факс:** 8 (812) 320-02-42

**Электронная почта:** [org@eplast1.ru](mailto:org@eplast1.ru)

**Адрес:** 198099, г. Санкт-Петербург, ул. Калинина, дом 2, корпус 4, литера А.