



M7100

Pressure Transducer

SPECIFICATIONS

- ◆ Performance standard on and off highway engine and vehicle OEMs
- ◆ Rugged for heavy equipment and outdoor use
- ◆ Designed specifically for high volume applications
- ◆ Stainless steel wetted surfaces
- ◆ Medium to high pressures
- ◆ CE Approved
- ◆ UL Certified
- ◆ Gage

The M7100 pressure transducer from the Microfused line of MEAS sets a new price performance standard for demanding engine and vehicle, and industrial applications. This transducer is suitable for measurement of liquid or gas pressure, even for difficult media such as contaminated water, steam and corrosive fluids.

The transducer pressure cavity is machined from a solid piece of 17-4 PH stainless steel. The standard version includes a 1/4 NPT pipe thread allowing a leak-proof, all metal sealed system. There are no O-rings or organics exposed to the pressure media and the durability is excellent. This automotive grade pressure transducer with stainless steel hermetic pressure ports and integral electrical connector can boast up to 10,000psi (700bar). The M7100 is UL certified and exceeds the latest industrial CE requirements including surge protection and is overvoltage protected in both positive and reverse polarity.

FEATURES

- ◆ Hermetic Pressure Ports
- ◆ Integral Electrical Connector
- ◆ Survives High Vibration
- ◆ $\pm 0.25\%$ Accuracy
- ◆ Water Resistant 1M Immersion

APPLICATIONS

- ◆ On and Off Highway Engines and Vehicles
- ◆ HVAC Refrigeration Controls
- ◆ Compressors
- ◆ Hydraulics
- ◆ Energy and Water Management

STANDARD RANGES

| Range (psi) | Range (bar) | Gage |
|-------------|-------------|------|
| 0 to 150 | 0 to 010 | ♦ |
| 0 to 200 | 0 to 014 | ♦ |
| 0 to 300 | 0 to 020 | ♦ |
| 0 to 500 | 0 to 035 | ♦ |
| 0 to 01K | 0 to 070 | ♦ |
| 0 to 1K5 | 0 to 100 | ♦ |
| 0 to 03K | 0 to 200 | ♦ |
| 0 to 05K | 0 to 350 | ♦ |
| 0 to 7K5 | 0 to 500 | ♦ |
| 0 to 10K | 0 to 700 | ♦ |

PERFORMANCE SPECIFICATIONS

Ambient Temperature: 25°C (unless otherwise specified);

| PARAMETERS | MIN | | TYP | MAX | | UNITS | NOTES |
|---|-------|--------|-----|-------|--------|------------|-------|
| | Steel | Copper | | Steel | Copper | | |
| Load Resistance | 10 | | | | | KΩ | |
| Accuracy (combined linearity, hysteresis & repeatability) | -0.25 | | | 0.25 | | %Span | 1 |
| Total Error Band | -1.0 | -2.5 | | 1.0 | 2.5 | %Span | 2 |
| Compensated Temperature | -20 | -30 | | +85 | 120 | °C | |
| Operating Temperature | -40 | | | +125 | | °C | 3 |
| Storage Temperature | -50 | | | +125 | | °C | |
| Insulation Resistance (500Vdc) | 100 | | | | | MΩ | 4 |
| Short Circuit Protected | | | Yes | | | | |
| Output Noise @ 1kHz | | | 10 | | | mV | |
| Long Term Stability | -0.25 | | | 0.25 | | %Span/Year | |
| Frequency Response @ -3dB | | | 1 | | | kHz | |

Notes

- Best fit straight line.
- TEB includes all accuracy errors, thermal errors, span and zero tolerances over the compensated temperature range.
- Temperature range for product with standard cable is -20°C to +105°C.
- Between sensor body to any pins of connector.
- The maximum pressure that can be applied without changing the transducer's performance or accuracy.
- The maximum pressure that can be applied to a transducer without rupture of either the sensing element or transducer
- Refer to pressure port Listing notes for installation recommendations.
- This product can be configured for custom OEM requirements. Contact Factory for different transfer function. See "Pressure Transfer Function" diagram.
- Maximum temperature range for product with standard cable is -20°C to 105°C.
- Do not apply torque to connector housing of transducer
- To ensure proper environmental sealing and electrical connections when using a mating connector, follow the connector manufacturer's installation guidelines.

ENVIRONMENTAL SPECIFICATIONS

Ambient Temperature: 25°C (unless otherwise specified)

| PARAMETERS | MIN | | TYP | MAX | | UNITS | NOTES | |
|----------------------|--------|---|-----|-----------------|--------|--------|-------|--|
| | Steel | Copper | | Steel | Copper | | | |
| Humidity (@40°C) | | | | 93 | | %RH | | |
| Pressure Overload | | | | 2X | | Rated | 5 | |
| Pressure Burst | | | | 5X | 3X | Rated | 6 | |
| Pressure Cycle | | 10M | | | | Cycles | | |
| Media, Pressure Port | Steel | Fluids compatible with 17-4PH Stainless Steel | | | | | | |
| | Copper | Fluids compatible with Brass | | | | | | |
| Mechanical Vibration | Steel | 20g, 10 ~ 2000Hz MIL-STD-810C, Method 514.2, Curve L | | | | | | |
| | Copper | 10g peak, 55~2000Hz MIL-STD-202G, Method 204D, Test Condition C | | | | | | |
| Mechanical Shock | Steel | Half-Sine, Peak: 50g, 11ms MIL-STD-202, Method 213B, Condition A | | | | | | |
| | Copper | Half-Sine, Peak: 50g, 11ms MIL-STD-202G, Method 213B, Condition A | | | | | | |
| Package Protection | | | | IP67 (IEC60529) | | | | |

AGENCY APPROVALS

| | |
|---|--|
| RoHS: RoHS 2 (Directive 2011/65/EU) | |
| Industrial Control Equipment | CSA 22.2 No. 14-10 |
| UL508 Certified | |
| EMC Performance Criteria: Output Change < ±1.5% FSO | |
| ESD | 8kV Contact/15kV Air; Discharge Rate >10s |
| IEC 61000-4-2 | |
| EM Field | 100V/m, 1kHz 80% Modulation, 80 ~ 1000MHz |
| IEC 61000-4-3 | |
| Electrical Fast Transient | Level 2, 1kV each line, capacitance coupling |
| IEC 61000-4-4 | |
| Surge | Level 2, 42Ω Impedance, Figure 11 (L-L 500V, L-E 1kV) |
| IEC 61000-4-5 | |
| Conducted RF | Level 2, 3V/130dB, 150kHz ~ 80MHz, 2s Dwell, Clamp Injection |
| IEC 61000-4-6 | |
| Pulse Magnetic Field | Level 3, 100A/m, 10 second pulse interval |
| IEC 61000-4-9 | |
| Emission | Class B, 30dB @ 30-230MHz, 37dB @ 230 – 1000MHz |
| IEC 55022 | |

PRESSURE PORT INFORMATION

| Pressure Port Options | Dim A | Tightening Torque (Nm) |
|--|------------|------------------------|
| 2 = G1/4, BS5380, Male | .43 [11.0] | 30~35 |
| 4 = 7-16-20 UNF, SAE J1926-2, Male, w/ O-Ring | .36 [9.1] | 18~20 |
| 5 = 1/4-18 NPT Male | .56 [14.2] | 2~3 T.F.F.T. |
| 6 = 1/8-27 NPT Male | .38 [9.7] | 2~3 T.F.F.T. |
| E = R1/4-19, Male | .56 [14.2] | 2~3 T.F.F.T. |
| F = G1/4-19, BS5380, Female | .64 [16.3] | 30~35 |
| P = 7/16-20UNF Female w/ Integral Valve Depressor; 1/4 Flare Gasket SAE J513C, Copper | .64 [16.3] | 15~16 |
| Q = M10 x 1.0, ISO 6149-2, Male | .37 [9.5] | 15~16 |
| S = M12 x 1.5, ISO 6149-2, Male | .43 [11.0] | 28~30 |
| G = M14 x 1.5, ISO 6149-2, Male | .43 [11.0] | 30~35 |
| U = G1/4, DIN 3852-E, Male | .47 [12.0] | 30~35 |

Notes: Installation

*T.F.F.T.: Turns From Finger Tight

Transducers can be installed by either spanner or deep socket. Torque values provided are for reference: actual torque depends upon mating port material, surface finish, lubrication and sealing mechanism. Transducers calibration and/or zero may shift if part is over-torqued during installation. Check for a zero shift after installing.

CONNECTOR INFORMATION

| Connector | Connector, Pin Plating | Connector, Mating |
|------------------------------------|--|--|
| Packard Metri-Pack 150 Series | <i>powerandsignal.com</i> 0.003 – 0.005 mm Sn | Housing P/N: 12065287 Terminals P/N: 12103881 |
| Sumitomo HV040 Series | <i>sumitomokenki.com</i> 0.003 mm Sn over 0.0005 – 0.001 mm Cu | Housing P/N: 6189-6907 Terminals P/N: 8100-3067/8 |
| AMP Econoseal-J Mark II 070 Series | <i>te.com</i> 0.0004 mm Au over 0.0013 mm Ni | Housing P/N: 174357 Terminals P/N: 171630 |

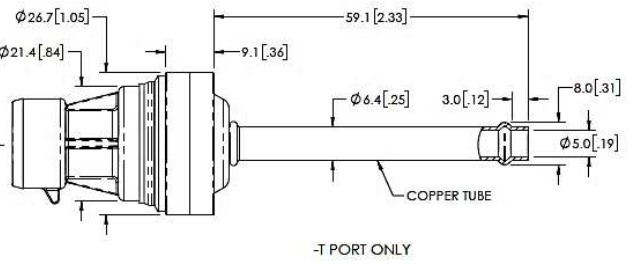
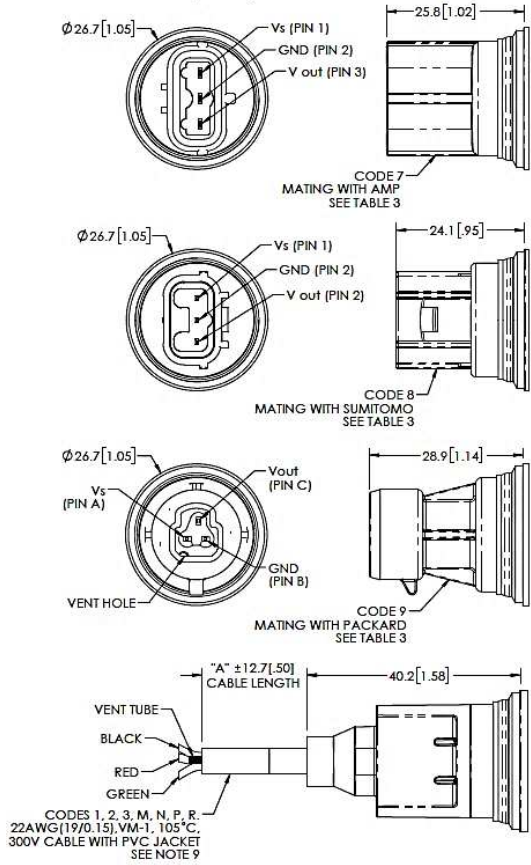
DIMENSIONS

Dimensions are in INCHES [mm]



Copper Tube

DIMENSIONS ARE IN mm [INCHES]



| CABLE WIRE # DESIGNATION | |
|--------------------------|----------|
| WIRE COLOR | FUNCTION |
| RED | Vs |
| BLACK | GND |
| GREEN | Vout |

CHARTS

Pressure Transfer Function



Output Type vs. Supply

| Output Type (Code) | 3 | 4 |
|------------------------|---------------|------------|
| Supply Voltage | 4.75 ~ 5.25V* | 8 ~ 32V |
| Supply Current | 4.0 ~ 10.0mA | |
| Output Voltage | 0.5 ~ 4.5V* | 1.0 ~ 5.0V |
| Reverse Voltage | 16V | |
| Overvoltage Protection | 16V | 32V |

* Output ratiometric to supply voltage

| Pressure Range | |
|----------------|------|
| psi | bar |
| 150P | 010B |
| 200P | 014B |
| 300P | 020B |
| 500P | 035B |
| 01KP | 070B |
| 1K5P | 100B |
| 03KP | 200B |
| 05KP | 350B |
| 7K5P | 500B |
| 10KP | 700B |

| Pressure Range (Cu Tube) | |
|--------------------------|------|
| psi | bar |
| 150P | 010B |
| 300P | 020B |
| 450P | 030B |
| 500P | 035B |
| 750P | 050B |

| Connection Type |
|-------------------------------------|
| 1 = Cable 2 feet |
| 2 = Cable 4 feet |
| 3 = Cable 10 feet |
| 7 = AMP070 Connector |
| 8 = Sumitomo HV040 Connector |
| 9 = Packard Connector |
| M = Cable 1 m |
| N = Cable 2 m |
| P = Cable 5 m |
| R = Cable 10 m |

ORDERING INFORMATION

M71 3 M - 300P G - T B 0000

| Output | |
|--------|----------------|
| Code | Output Voltage |
| 3 | 0.5 – 4.5 V |
| 4 | 1.0 – 5.0 V |

| Cable/Connectors | |
|------------------|-------------------|
| 1 | Cable, 2 feet |
| 2 | Cable, 4 feet |
| 3 | Cable, 10 feet |
| 7 | Amp Connector |
| 8 | HV040 Sumitomo |
| 9 | Packard Connector |
| M | Cable 1 meter |
| N | Cable, 2 meter |
| P | Cable, 5 meter |
| R | Cable, 10 meter |

| Pressure Range [psi] | |
|----------------------|------|
| psi | bar |
| 150P | 010B |
| 200P | 014B |
| 300P | 020B |
| 450P | 030B |
| 500P | 035B |
| 750P | 050B |
| 01KP | 070B |
| 1K5P | 100B |
| 03KP | 200B |
| 05KP | 350B |
| 7K5P | 500B |
| 10KP | 700B |

Options in green are for both Fittings
 Options in blue are for Copper fitting only.
 Options in black are for non-Copper fittings only

| Vent | |
|------|---------------------------|
| 0 | 17-4PH Stainless Steel |
| B | Copper, C12200 |

Copper Tube Pressure Port (T) is available only with
 Copper, C12200 Vent Option (B) and non-black options

| Pressure Port | |
|---------------|---|
| Code | Port |
| 2 | G1/4, BS5380, Male |
| 4 | 7/16-20 UNF, SAE J1926-2, Male, w/ O-ring |
| 5 | 1/4-18 NPT Female |
| 6 | 1/8-27 NPT Male |
| E | R1/4-19 Male |
| F | G1/4-19, BS5380, Female |
| P | 7/16-20 UNF Female w/ Integral Valve Depressor; 1/4 Flare Gasket SAE J513C, Copper |
| Q | M10x1.0 ISO 6149-2, Male |
| S | M12x1.5, ISO 6149-2, Male |
| G | M14x1.5, ISO 6149-2, Male |
| U | G1/4, DIN 3852-E, Male |
| T | 1/4" OD Copper Tube |

NORTH AMERICA

Measurement Specialties, Inc.,
 a TE Connectivity Company
 Phone: 800-522-6752
 Email: customercare.frm@te.com

EUROPE

Measurement Specialties (Europe), Ltd.,
 a TE Connectivity Company
 Phone: +31 73 624 6999
 Email: customercare.lcsb@te.com

ASIA

Measurement Specialties (China), Ltd.,
 a TE Connectivity Company
 Phone: 0400-820-6015
 Email: customercare.shzn@te.com

TE.com/sensorsolutions

Measurement Specialties, Inc., a TE Connectivity company.

Measurement Specialties, TE Connectivity, TE Connectivity (logo) and EVERY CONNECTION COUNTS are trademarks. All other logos, products and/or company names referred to herein might be trademarks of their respective owners.

The information given herein, including drawings, illustrations and schematics which are intended for illustration purposes only, is believed to be reliable. However, TE Connectivity makes no warranties as to its accuracy or completeness and disclaims any liability in connection with its use. TE Connectivity's obligations shall only be as set forth in TE Connectivity's Standard Terms and Conditions of Sale for this product and in no case will TE Connectivity be liable for any incidental, indirect or consequential damages arising out of the sale, resale, use or misuse of the product. Users of TE Connectivity products should make their own evaluation to determine the suitability of each such product for the specific application.

© 2015 TE Connectivity Ltd. family of companies All Rights Reserved.



Компания «ЭлектроПласт» предлагает заключение долгосрочных отношений при поставках импортных электронных компонентов на взаимовыгодных условиях!

Наши преимущества:

- Оперативные поставки широкого спектра электронных компонентов отечественного и импортного производства напрямую от производителей и с крупнейших мировых складов;
- Поставка более 17-ти миллионов наименований электронных компонентов;
- Поставка сложных, дефицитных, либо снятых с производства позиций;
- Оперативные сроки поставки под заказ (от 5 рабочих дней);
- Экспресс доставка в любую точку России;
- Техническая поддержка проекта, помощь в подборе аналогов, поставка прототипов;
- Система менеджмента качества сертифицирована по Международному стандарту ISO 9001;
- Лицензия ФСБ на осуществление работ с использованием сведений, составляющих государственную тайну;
- Поставка специализированных компонентов (Xilinx, Altera, Analog Devices, Intersil, Interpoint, Microsemi, Aeroflex, Peregrine, Syfer, Eurofarad, Texas Instrument, Miteq, Cobham, E2V, MA-COM, Hittite, Mini-Circuits, General Dynamics и др.);

Помимо этого, одним из направлений компании «ЭлектроПласт» является направление «Источники питания». Мы предлагаем Вам помощь Конструкторского отдела:

- Подбор оптимального решения, техническое обоснование при выборе компонента;
- Подбор аналогов;
- Консультации по применению компонента;
- Поставка образцов и прототипов;
- Техническая поддержка проекта;
- Защита от снятия компонента с производства.



Как с нами связаться

Телефон: 8 (812) 309 58 32 (многоканальный)

Факс: 8 (812) 320-02-42

Электронная почта: org@eplast1.ru

Адрес: 198099, г. Санкт-Петербург, ул. Калинина, дом 2, корпус 4, литера А.