

### 100 mA Ultra-Low Supply Current Voltage Regulator

No. EA-399-181026

#### OVERVIEW

RP118x is a voltage regulator featuring 0.2  $\mu\text{A}$  ultra-low supply current. This device is ideal for a wearable equipment and IoT which require a long service life and a miniaturization of a battery.

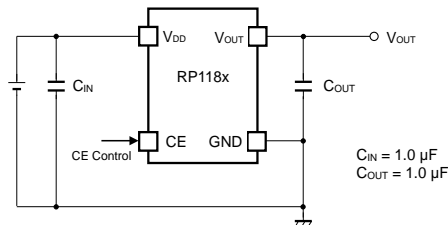
#### KEY BENEFITS

- Achieves a low supply current (0.2  $\mu\text{A}$ ) and contributes to a long-life and a miniaturized battery.
- Provides a small package to achieve the smallest possible footprint solution on boards where area is limited.

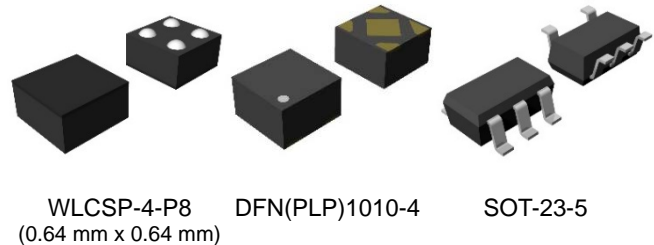
#### KEY SPECIFICATIONS

- Supply Current ..... Typ. 0.2  $\mu\text{A}$
- Standby Current ..... Typ. 0.002  $\mu\text{A}$
- Output Voltage Accuracy .....  $\pm 0.8\%$
- Input Voltage Range (Maximum Rating) ..... 1.7 V to 5.5 V (6.5 V)
- Output Voltage Range ..... 1.2 V to 3.6 V (0.1 V step)
- Built-in Fold Back Protection Circuit ..... Typ. 50 mA (Current at short mode)
- Ceramic capacitors recommended to be used ..... 1.0  $\mu\text{F}$  or more
- Dropout Voltage ..... Typ. 0.1 V ( $I_{\text{OUT}} = 100 \text{ mA}$ ,  $V_{\text{SET}} = 2.8 \text{ V}$ )
- Operating mode ..... Automatic mode (Automatically shifts between fast response mode and low power mode)

#### TYPICAL APPLICATIONS



#### PACKAGE



#### SELECTION GUIDE

Product Name	Package
RP118Zxx1*-TR-F	WLCSP-4-P8
RP118Kxx1*-TR	DFN(PLP)1010-4
RP118Nxx1*-TR-FE	SOT-23-5

\*: Select auto-discharge function

Version	CE pin	Auto-discharge
B	Active-high	Disable
D	Active-high	Auto-discharge

xx: Set output voltage ( $V_{\text{SET}}$ ) is selectable from 1.2 V to 3.6 V in 0.1 V step.

#### APPLICATIONS

- Wearable equipment such as SmartWatch, SmartBand, and health monitoring
- Li-ion battery-used equipment and coin cell-used equipment
- Low power RF such as Bluetooth® Low Energy, Zigbee, WiSun, ANT
- Low power CPU, memory, sensor devices, and energy harvesting

---

## RP118x

---

No. EA-399-181026

## SELECTION GUIDE

The set output voltage, the auto-discharge function, and the package for the ICs are user-selectable options.

### Selection Guide

Product Name	Package	Quantity per Reel	Pb Free	Halogen Free
RP118Zxx1*-TR-F	WLCSP-4-P8	5,000 pcs	Yes	Yes
RP118Kxx1*-TR	DFN(PLP)1010-4	10,000 pcs	Yes	Yes
RP118Nxx1*-TR-FE	SOT-23-5	3,000 pcs	Yes	Yes

xx: Set output voltage ( $V_{SET}$ ) is selectable from 1.2 V (12) to 3.6 V (36) in 0.1 V step.

The voltage in 0.05 V step is shown as follows.

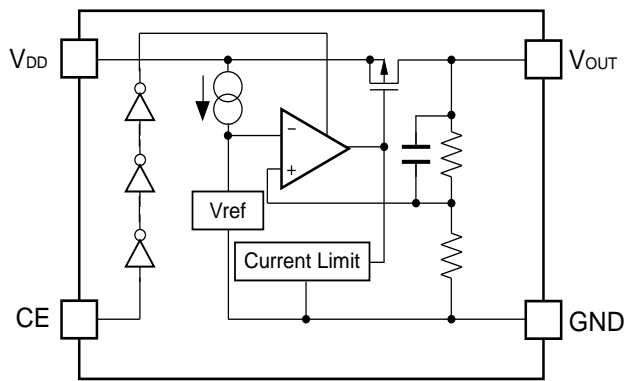
1.85 V: RP118x181\*5

\*: Select auto-discharge function

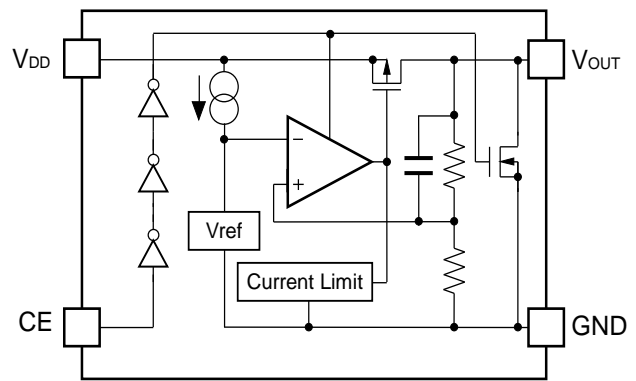
Version	CE pin	Auto-discharge
B	Active-high	Disable
D	Active-high	Auto-discharge

---

## BLOCK DIAGRAM

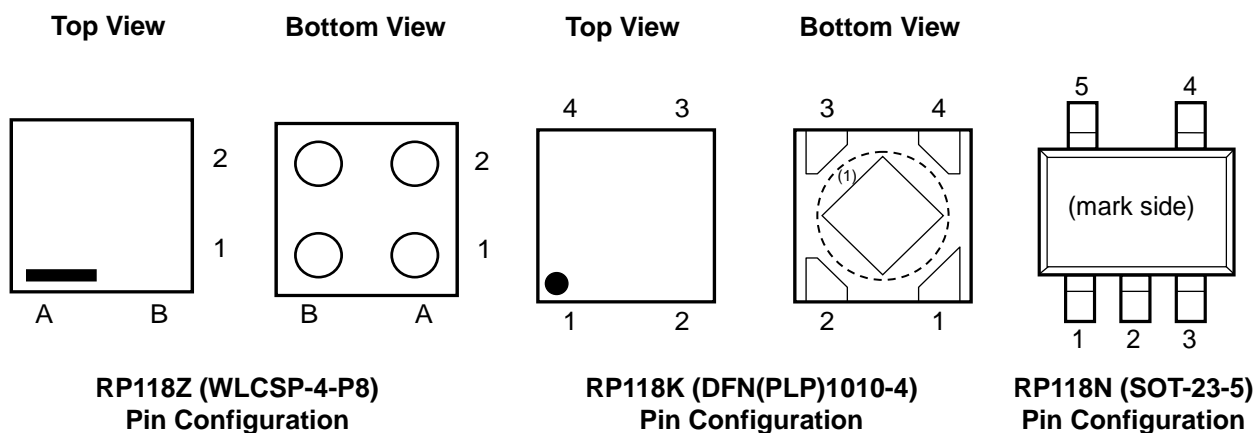


RP118xxx1B Block Diagram



RP118xxx1D Block Diagram

## PIN DESCRIPTION



### WLCSP-4-P8 Pin Description

Pin No	Symbol	Pin Description
A1	VDD	Input Pin
A2	VOUT	Output Pin
B1	CE	Chip Enable Pin (Active-high)
B2	GND	Ground Pin

### DFN(PLP)1010-4 Pin Description

Pin No	Symbol	Description
1	VOUT	Output Pin
2	GND	Ground Pin
3	CE	Chip Enable Pin (Active-high)
4	VDD	Input Pin

### SOT-23-5 Pin Description

Pin No	Symbol	Pin Description
1	VDD	Input Pin
2	GND	Ground Pin
3	CE	Chip Enable Pin (Active-high)
4	NC	No connection
5	VOUT	Output Pin

(1) パッケージ裏面のタブの電位は基板電位 (GND) です。GND端子と接続するか、オープンとしてください。

## RP118x

No. EA-399-181026

# ABSOLUTE MAXIMUM RATINGS

### Absolute Maximum Ratings

Symbol	Item	Rating	Unit	
$V_{IN}$	Input Voltage	-0.3 to 6.5	V	
$V_{CE}$	CE Pin Input Voltage	-0.3 to 6.5	V	
$V_{OUT}$	VOUT Pin Voltage	-0.3 to $V_{IN} + 0.3$	V	
$I_{OUT}$	Output Current	130	mA	
$P_D$	Power Dissipation <sup>(1)</sup>	WLCSP-4-P8, JEDEC STD. 51-9 Test Land Pattern	470	mW
		DFN(PLP)1010-4, JEDEC STD. 51-7 Test Land Pattern	510	mW
		SOT-23-5, JEDEC STD. 51-7 Test Land Pattern	660	mW
$T_j$	Junction Temperature Range	-40 to 125	°C	
$T_{stg}$	Storage Temperature Range	-55 to 125	°C	

### ABSOLUTE MAXIMUM RATINGS

Electronic and mechanical stress momentarily exceeded absolute maximum ratings may cause the permanent damages and may degrade the life time and safety for both device and system using the device in the field. The functional operation at or over these absolute maximum ratings is not assured.

# RECOMMENDED OPERATING CONDITIONS

### Recommended Operating Conditions

Symbol	Item	Rating	Unit
$V_{IN}$	Input Voltage	1.7 to 5.5	V
$T_a$	Operating Temperature Range	-40 to 85	°C

### RECOMMENDED OPERATING CONDITIONS

All of electronic equipment should be designed that the mounted semiconductor devices operate within the recommended operating conditions. The semiconductor devices cannot operate normally over the recommended operating conditions, even if when they are used over such conditions by momentary electronic noise or surge. And the semiconductor devices may receive serious damage when they continue to operate over the recommended operating conditions.

<sup>(1)</sup> Refer to *POWER DISSIPATION* for detailed information.

## ELECTRICAL CHARACTERISTICS

$V_{IN} = V_{SET} + 1.0\text{ V}$ ,  $I_{OUT} = 1.5\text{ mA}$ ,  $C_{IN} = C_{OUT} = 1.0\text{ }\mu\text{F}$ , unless otherwise noted.

The specifications surrounded by   are guaranteed by design engineering at  $-40^{\circ}\text{C} \leq T_a \leq 85^{\circ}\text{C}$ .

### RP118xxx1B/D Electrical Characteristics

( $T_a = 25^{\circ}\text{C}$ )

Symbol	Parameter	Test Conditions/Comments	Min.	Typ.	Max.	Unit	
$V_{OUT}$	Output Voltage (Fast Response Mode)	$T_a = 25^{\circ}\text{C}$	$V_{SET} > 2.0\text{ V}$	x 0.992		x 1.008	V
			$V_{SET} \leq 2.0\text{ V}$	-16		16	mV
		$-40^{\circ}\text{C} \leq T_a \leq 85^{\circ}\text{C}$	$V_{SET} > 2.0\text{ V}$	<span style="border: 1px solid black; padding: 0 2px;">x 0.987</span>		<span style="border: 1px solid black; padding: 0 2px;">x 1.013</span>	V
			$V_{SET} \leq 2.0\text{ V}$	<span style="border: 1px solid black; padding: 0 2px;">-26</span>		<span style="border: 1px solid black; padding: 0 2px;">26</span>	mV
$I_{OUT}$	Output Current		<span style="border: 1px solid black; padding: 0 2px;">100</span>			mA	
$\frac{\Delta V_{OUT}}{\Delta I_{OUT}}$	Load Regulation	$1\text{ }\mu\text{A} \leq I_{OUT} \leq 1.5\text{ mA}$	$V_{SET} > 2.0\text{ V}$	<span style="border: 1px solid black; padding: 0 2px;">x 0.99</span>		<span style="border: 1px solid black; padding: 0 2px;">x 1.01</span>	V
			$V_{SET} \leq 2.0\text{ V}$	<span style="border: 1px solid black; padding: 0 2px;">-20</span>		<span style="border: 1px solid black; padding: 0 2px;">20</span>	mV
		$1.5\text{ mA} \leq I_{OUT} \leq 100\text{ mA}$	<span style="border: 1px solid black; padding: 0 2px;">-40</span>	2	<span style="border: 1px solid black; padding: 0 2px;">40</span>	mV	
$V_{DIF}$	Dropout Voltage	$I_{OUT} = 100\text{ mA}$	Refer to <i>PRODUCT-SPECIFIC ELECTRICAL CHARACTERISTICS</i>				
$I_{SS}$	Supply Current	$V_{CE} = V_{IN}$ , $I_{OUT} = 0\text{ mA}$		0.2	0.42	$\mu\text{A}$	
					<span style="border: 1px solid black; padding: 0 2px;">0.5</span>	$\mu\text{A}$	
$I_{STANDBY}$	Standby Current	$V_{CE} = 0\text{ V}$		0.002	0.055	$\mu\text{A}$	
$I_{OUTH}$	Fast Response Mode switch-over current	$I_{OUT} = \text{Light load to Heavy load}$ $V_{IN} = 5.0\text{ V}$			<span style="border: 1px solid black; padding: 0 2px;">1.5</span>	mA	
$I_{OUTL}$	Low Power Mode switch-over current	$I_{OUT} = \text{Heavy load to Light load}$ $V_{IN} = 5.0\text{ V}$	<span style="border: 1px solid black; padding: 0 2px;">0.08</span>			mA	
$\frac{\Delta V_{OUT}}{\Delta V_{IN}}$	Line Regulation	$V_{SET} + 0.5\text{ V} \leq V_{IN} \leq 5.5\text{ V}$		0.02	<span style="border: 1px solid black; padding: 0 2px;">0.2</span>	%/V	
$I_{SC}$	Short-circuit Current Limit	$V_{OUT} = 0\text{ V}$		50		mA	
$V_{CEH}$	CE Pin Input Voltage, high		<span style="border: 1px solid black; padding: 0 2px;">1.0</span>			V	
$V_{CEL}$	CE Pin Input Voltage, low				<span style="border: 1px solid black; padding: 0 2px;">0.4</span>	V	
$R_{LOW}$	LOW Output NMOS On-state Resistance (RP118xxx1D only)	$V_{IN} = 4.0\text{ V}$ , $V_{CE} = 0\text{ V}$		50		$\Omega$	

All test items listed under Electrical Characteristics are done under the pulse load condition ( $T_j \approx T_a = 25^{\circ}\text{C}$ ).

## RP118x

No. EA-399-181026

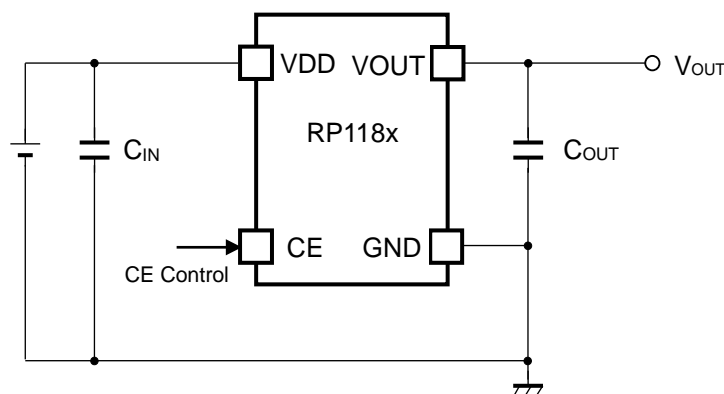
The specifications surrounded by   are guaranteed by design engineering at  $-40^{\circ}\text{C} \leq T_a \leq 85^{\circ}\text{C}$ .

### Product-specific Electrical Characteristics

Product Name	V <sub>OUT</sub> [V]						V <sub>DIF</sub> [V]	
	T <sub>a</sub> = 25°C			-40°C ≤ T <sub>a</sub> ≤ 85°C			Typ.	Max.
	Min.	Typ.	Max.	Min.	Typ.	Max.		
RP118x121x	1.184	1.200	1.216	<span style="border: 1px solid black; padding: 0 2px;">1.174</span>	1.200	<span style="border: 1px solid black; padding: 0 2px;">1.226</span>	0.640	<span style="border: 1px solid black; padding: 0 2px;">0.975</span>
RP118x121x5	1.234	1.250	1.266	<span style="border: 1px solid black; padding: 0 2px;">1.224</span>	1.250	<span style="border: 1px solid black; padding: 0 2px;">1.276</span>		
RP118x131x	1.284	1.300	1.316	<span style="border: 1px solid black; padding: 0 2px;">1.274</span>	1.300	<span style="border: 1px solid black; padding: 0 2px;">1.326</span>	0.560	<span style="border: 1px solid black; padding: 0 2px;">0.890</span>
RP118x141x	1.384	1.400	1.416	<span style="border: 1px solid black; padding: 0 2px;">1.374</span>	1.400	<span style="border: 1px solid black; padding: 0 2px;">1.426</span>	0.490	<span style="border: 1px solid black; padding: 0 2px;">0.770</span>
RP118x151x	1.484	1.500	1.516	<span style="border: 1px solid black; padding: 0 2px;">1.474</span>	1.500	<span style="border: 1px solid black; padding: 0 2px;">1.526</span>	0.410	<span style="border: 1px solid black; padding: 0 2px;">0.660</span>
RP118x161x	1.584	1.600	1.616	<span style="border: 1px solid black; padding: 0 2px;">1.574</span>	1.600	<span style="border: 1px solid black; padding: 0 2px;">1.626</span>	0.340	<span style="border: 1px solid black; padding: 0 2px;">0.560</span>
RP118x171x	1.684	1.700	1.716	<span style="border: 1px solid black; padding: 0 2px;">1.674</span>	1.700	<span style="border: 1px solid black; padding: 0 2px;">1.726</span>	0.280	<span style="border: 1px solid black; padding: 0 2px;">0.435</span>
RP118x181x	1.784	1.800	1.816	<span style="border: 1px solid black; padding: 0 2px;">1.774</span>	1.800	<span style="border: 1px solid black; padding: 0 2px;">1.826</span>	0.230	<span style="border: 1px solid black; padding: 0 2px;">0.380</span>
RP118x181x5	1.834	1.850	1.866	<span style="border: 1px solid black; padding: 0 2px;">1.824</span>	1.850	<span style="border: 1px solid black; padding: 0 2px;">1.876</span>		
RP118x191x	1.884	1.900	1.916	<span style="border: 1px solid black; padding: 0 2px;">1.874</span>	1.900	<span style="border: 1px solid black; padding: 0 2px;">1.926</span>	0.200	<span style="border: 1px solid black; padding: 0 2px;">0.320</span>
RP118x201x	1.984	2.000	2.016	<span style="border: 1px solid black; padding: 0 2px;">1.974</span>	2.000	<span style="border: 1px solid black; padding: 0 2px;">2.026</span>	0.150	<span style="border: 1px solid black; padding: 0 2px;">0.285</span>
RP118x211x	2.084	2.100	2.116	<span style="border: 1px solid black; padding: 0 2px;">2.073</span>	2.100	<span style="border: 1px solid black; padding: 0 2px;">2.127</span>		
RP118x221x	2.183	2.200	2.217	<span style="border: 1px solid black; padding: 0 2px;">2.172</span>	2.200	<span style="border: 1px solid black; padding: 0 2px;">2.228</span>	0.130	<span style="border: 1px solid black; padding: 0 2px;">0.230</span>
RP118x231x	2.282	2.300	2.318	<span style="border: 1px solid black; padding: 0 2px;">2.271</span>	2.300	<span style="border: 1px solid black; padding: 0 2px;">2.329</span>		
RP118x241x	2.381	2.400	2.419	<span style="border: 1px solid black; padding: 0 2px;">2.369</span>	2.400	<span style="border: 1px solid black; padding: 0 2px;">2.431</span>	0.110	<span style="border: 1px solid black; padding: 0 2px;">0.180</span>
RP118x251x	2.480	2.500	2.520	<span style="border: 1px solid black; padding: 0 2px;">2.468</span>	2.500	<span style="border: 1px solid black; padding: 0 2px;">2.532</span>		
RP118x261x	2.580	2.600	2.620	<span style="border: 1px solid black; padding: 0 2px;">2.567</span>	2.600	<span style="border: 1px solid black; padding: 0 2px;">2.633</span>	0.100	<span style="border: 1px solid black; padding: 0 2px;">0.160</span>
RP118x271x	2.679	2.700	2.721	<span style="border: 1px solid black; padding: 0 2px;">2.665</span>	2.700	<span style="border: 1px solid black; padding: 0 2px;">2.735</span>		
RP118x281x	2.778	2.800	2.822	<span style="border: 1px solid black; padding: 0 2px;">2.764</span>	2.800	<span style="border: 1px solid black; padding: 0 2px;">2.836</span>	0.100	<span style="border: 1px solid black; padding: 0 2px;">0.160</span>
RP118x291x	2.877	2.900	2.923	<span style="border: 1px solid black; padding: 0 2px;">2.863</span>	2.900	<span style="border: 1px solid black; padding: 0 2px;">2.937</span>		
RP118x301x	2.976	3.000	3.024	<span style="border: 1px solid black; padding: 0 2px;">2.961</span>	3.000	<span style="border: 1px solid black; padding: 0 2px;">3.039</span>	0.090	<span style="border: 1px solid black; padding: 0 2px;">0.145</span>
RP118x311x	3.076	3.100	3.124	<span style="border: 1px solid black; padding: 0 2px;">3.060</span>	3.100	<span style="border: 1px solid black; padding: 0 2px;">3.140</span>		
RP118x321x	3.175	3.200	3.225	<span style="border: 1px solid black; padding: 0 2px;">3.159</span>	3.200	<span style="border: 1px solid black; padding: 0 2px;">3.241</span>	0.090	<span style="border: 1px solid black; padding: 0 2px;">0.145</span>
RP118x331x	3.274	3.300	3.326	<span style="border: 1px solid black; padding: 0 2px;">3.258</span>	3.300	<span style="border: 1px solid black; padding: 0 2px;">3.342</span>		
RP118x341x	3.373	3.400	3.427	<span style="border: 1px solid black; padding: 0 2px;">3.356</span>	3.400	<span style="border: 1px solid black; padding: 0 2px;">3.444</span>	0.090	<span style="border: 1px solid black; padding: 0 2px;">0.145</span>
RP118x351x	3.472	3.500	3.528	<span style="border: 1px solid black; padding: 0 2px;">3.455</span>	3.500	<span style="border: 1px solid black; padding: 0 2px;">3.545</span>		
RP118x361x	3.572	3.600	3.628	<span style="border: 1px solid black; padding: 0 2px;">3.554</span>	3.600	<span style="border: 1px solid black; padding: 0 2px;">3.646</span>		

## APPLICATION INFORMATION

### Typical Application



RP118x Typical Application

### External Components

Symbol	Description
C <sub>IN</sub>	Ceramic Capacitor 1.0 μF MURATA GRM155R61A105KE15
C <sub>OUT</sub>	Ceramic Capacitor 1.0 μF MURATA GRM155R61A105KE15

### Technical Notes on the External Components

- In this device, phase compensation is provided to secure stable operation even when the load current is varied. For this purpose, use a 1.0 μF or more output capacitor (C<sub>OUT</sub>). In case of using a tantalum type capacitor with a large ESR (Equivalent Series Resistance), the output might become unstable. Evaluate your circuit including consideration of frequency characteristics.
- Ensure the VDD and GND lines are sufficiently robust. If their impedances are too high, noise pickup or unstable operation may result. Connect a 1.0 μF or more input capacitor (C<sub>IN</sub>) between the VDD and GND pins with shortest-distance wiring. Also, connect an output capacitor (C<sub>OUT</sub>) between the VOUT and GND pins with shortest-distance wiring.

## TECHNICAL NOTES

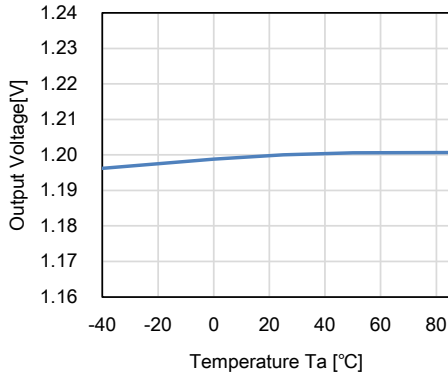
- When an intermediate voltage other than V<sub>IN</sub> or GND is input to the CE pin, a supply current may be increased with a through current of a logic circuit in the IC. The CE pin is neither pulled up nor pulled down, therefore an operation is not stable at open.

## TYPICAL CHARACTERISTICS

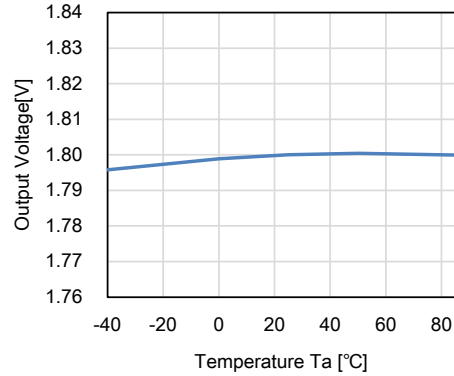
Typical Characteristics are intended to be used as reference data; they are not guaranteed.

### 1) Output Voltage vs. Temperature ( $C_{IN} = \text{Ceramic } 1.0 \mu\text{F}$ , $C_{OUT} = \text{Ceramic } 1.0 \mu\text{F}$ )

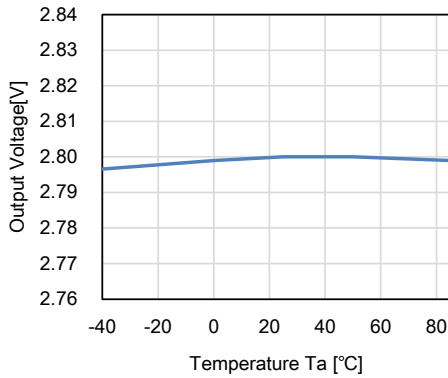
RP118x121x,  $V_{IN} = 2.2 \text{ V}$ ,  $I_{OUT} = 1 \text{ mA}$



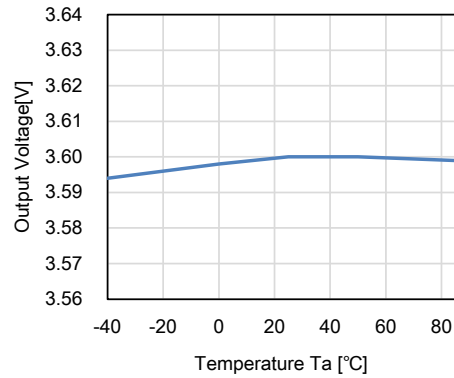
RP118x181x,  $V_{IN} = 2.8 \text{ V}$ ,  $I_{OUT} = 1 \text{ mA}$



RP118x281x,  $V_{IN} = 3.8 \text{ V}$ ,  $I_{OUT} = 1 \text{ mA}$

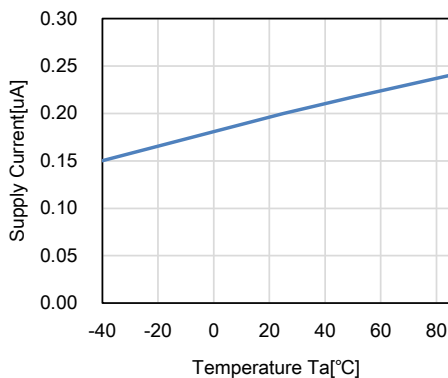


RP118x361x,  $V_{IN} = 4.6 \text{ V}$ ,  $I_{OUT} = 1 \text{ mA}$

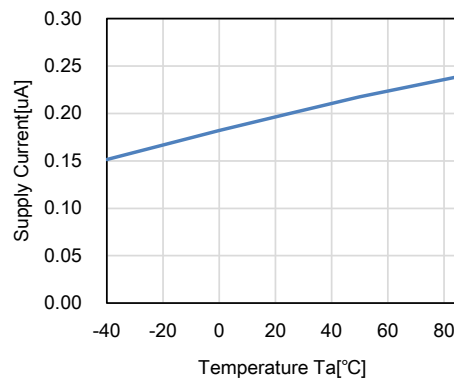


### 2) Supply Current vs. Temperature ( $C_{IN} = \text{Ceramic } 1.0 \mu\text{F}$ , $C_{OUT} = \text{Ceramic } 1.0 \mu\text{F}$ )

RP118x121x,  $V_{IN} = 2.2 \text{ V}$



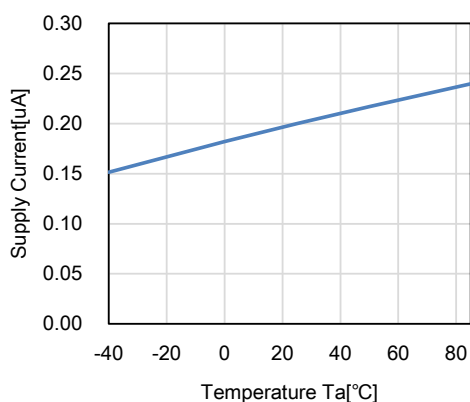
RP118x181x,  $V_{IN} = 2.8 \text{ V}$



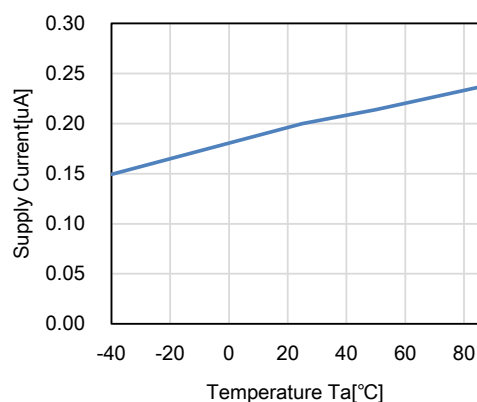
※ Typical characteristics at  $I_{OUT} = 1 \text{ mA}$  are evaluated in a fast response mode.



RP118x281x,  $V_{IN} = 3.8\text{ V}$

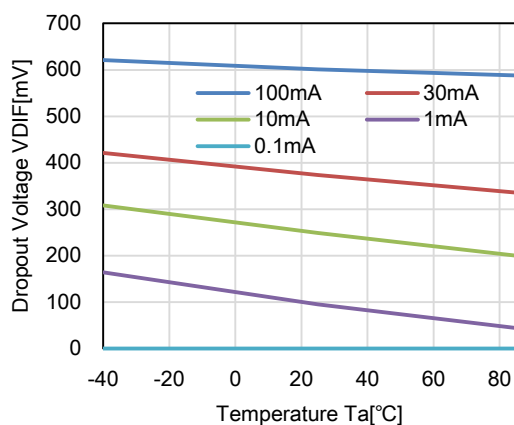


RP118x361x,  $V_{IN} = 4.6\text{ V}$

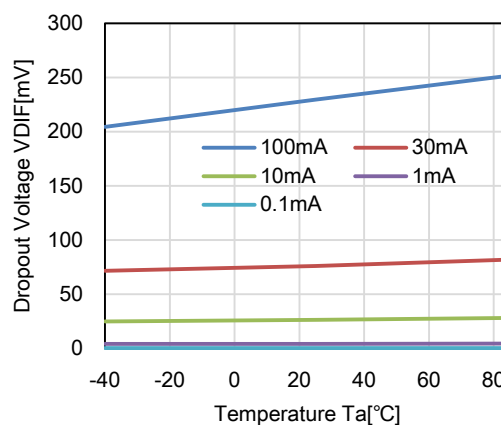


3) Dropout Voltage vs. Temperature ( $C_{IN} = \text{Ceramic } 1.0\ \mu\text{F}$ ,  $C_{OUT} = \text{Ceramic } 1.0\ \mu\text{F}$ )

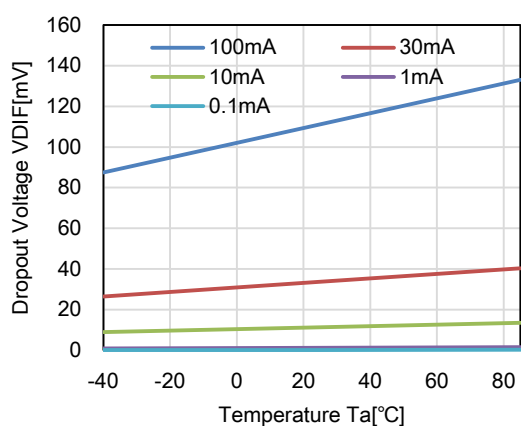
RP118x121x



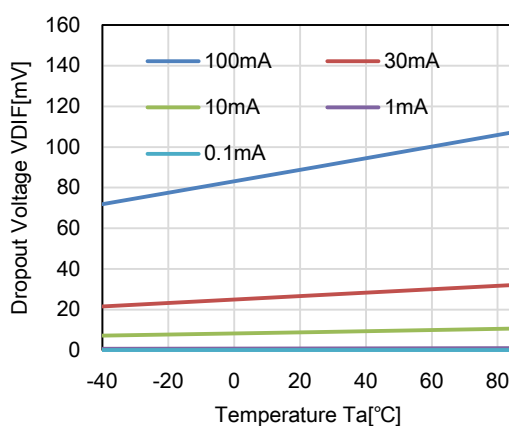
RP118x181x



RP118x281x



RP118x361x

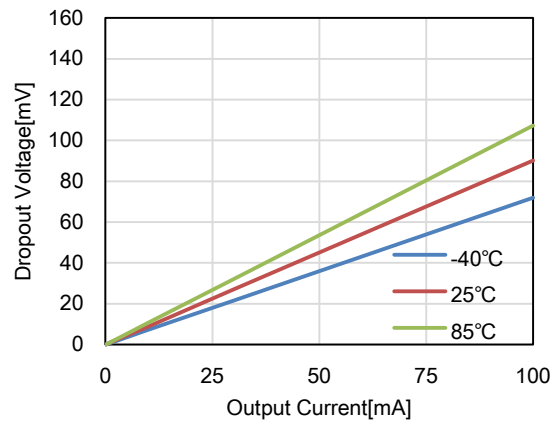
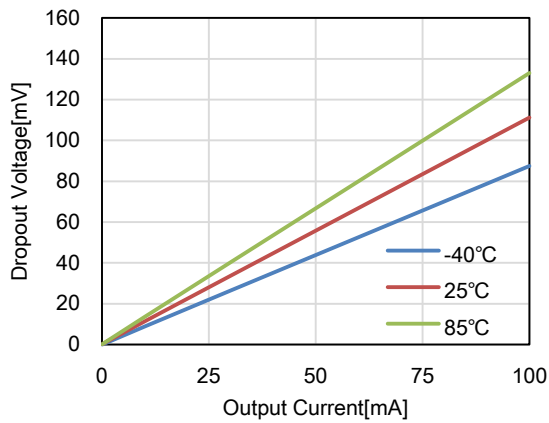
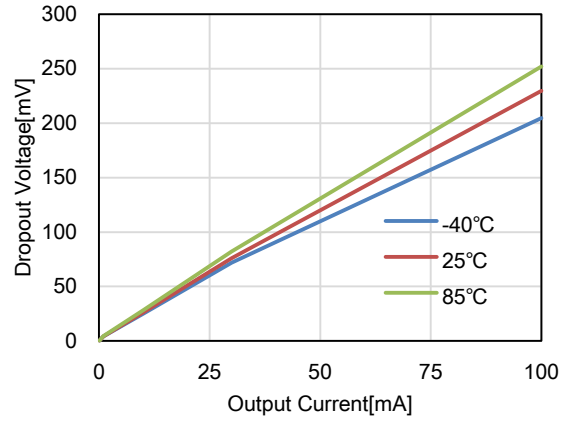
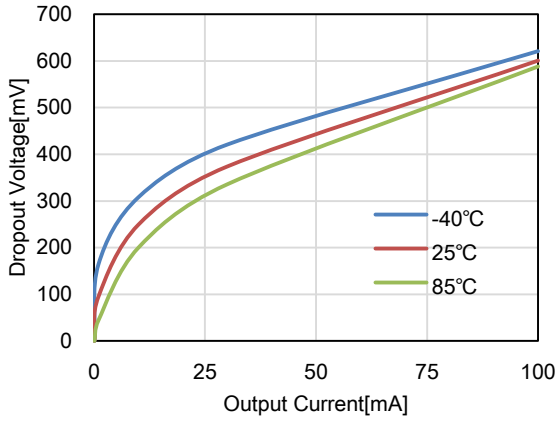


\* Typical characteristics at  $I_{OUT} = 1\text{ mA}$  are evaluated in a fast response mode.

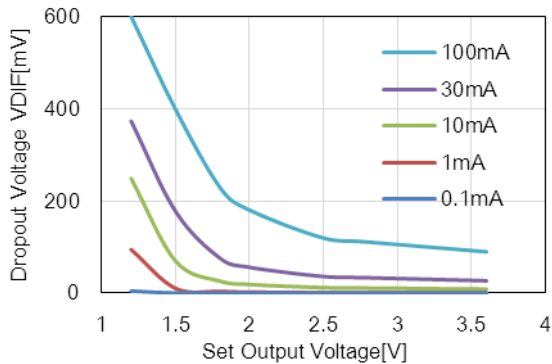
# RP118x

No. EA-399-181026

## 4) Dropout Voltage vs Output Current ( $C_{IN} = \text{Ceramic } 1.0 \mu\text{F}$ , $C_{OUT} = \text{Ceramic } 1.0 \mu\text{F}$ )

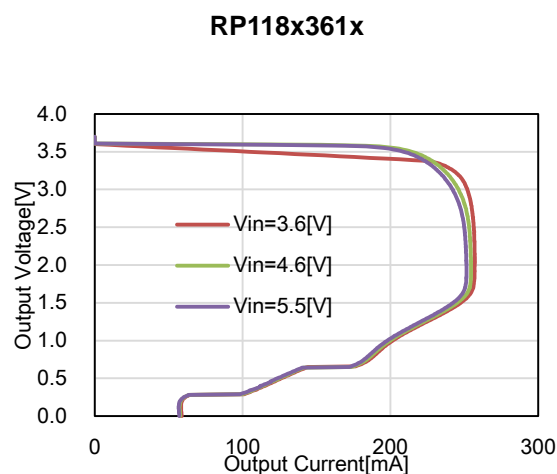
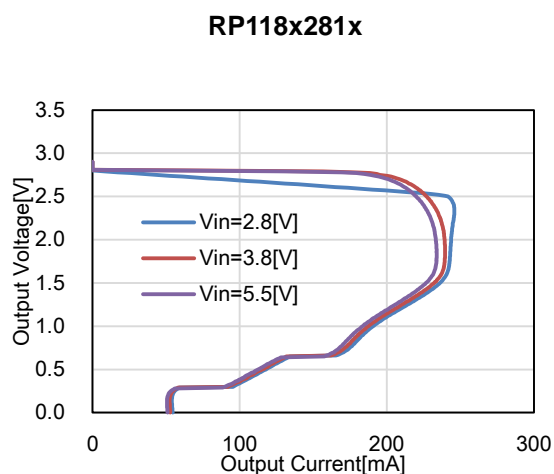
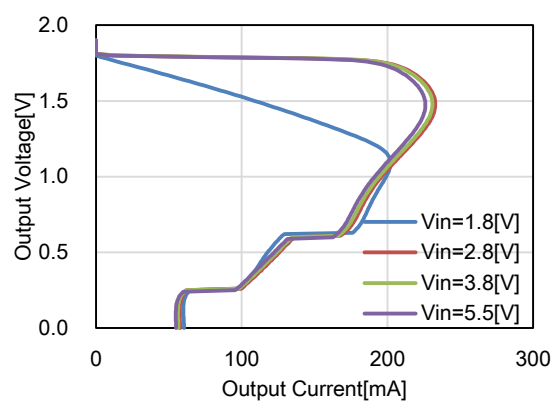
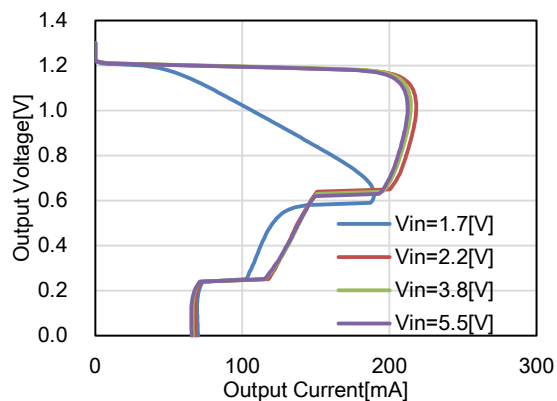


## 5) Dropout Voltage vs Set Output Voltage ( $C_{IN} = \text{Ceramic } 1.0 \mu\text{F}$ , $C_{OUT} = \text{Ceramic } 1.0 \mu\text{F}$ , $T_a = 25^\circ\text{C}$ )

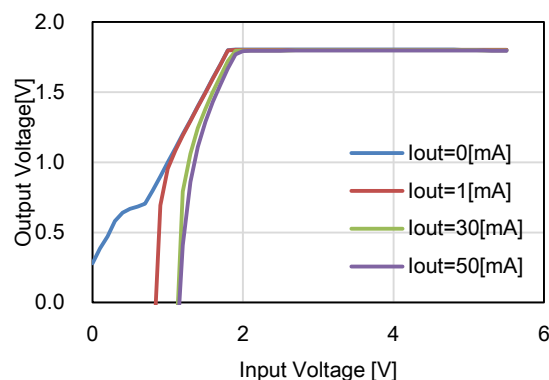
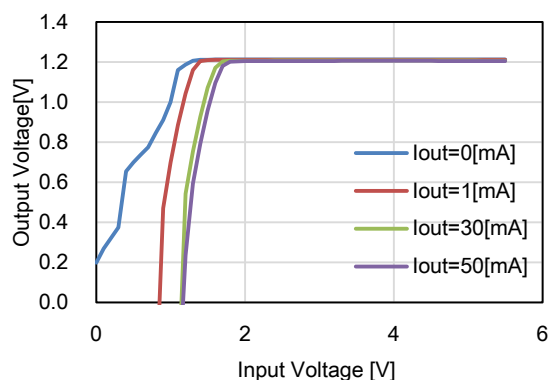


※ Typical characteristics at  $I_{OUT} = 1 \text{ mA}$  are evaluated in a fast response mode.

**6) Output Voltage vs. Output Current ( $C_{IN} = \text{Ceramic } 1.0 \mu\text{F}$ ,  $C_{OUT} = \text{Ceramic } 1.0 \mu\text{F}$ ,  $T_a = 25^\circ\text{C}$ )**



**7) Output Voltage vs. Input Voltage ( $C_{IN} = \text{Ceramic } 1.0 \mu\text{F}$ ,  $C_{OUT} = \text{Ceramic } 1.0 \mu\text{F}$ ,  $T_a = 25^\circ\text{C}$ )**

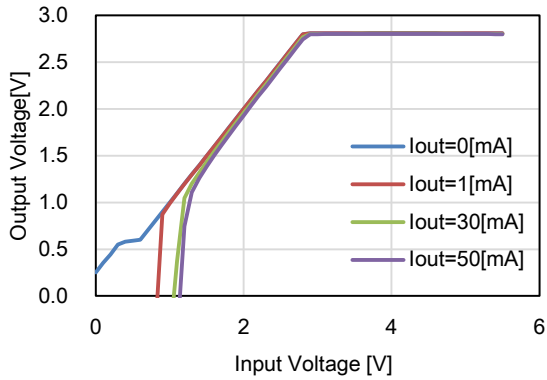


※ Typical characteristics at  $I_{OUT} = 1 \text{ mA}$  are evaluated in a fast response mode.

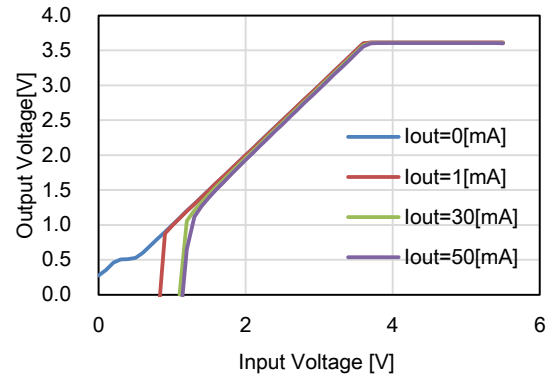
# RP118x

No. EA-399-181026

### RP118x281x

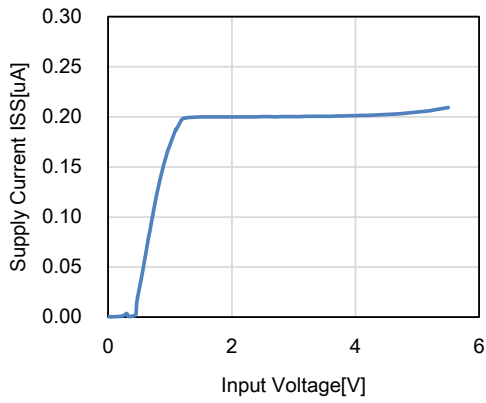


### RP118x361x

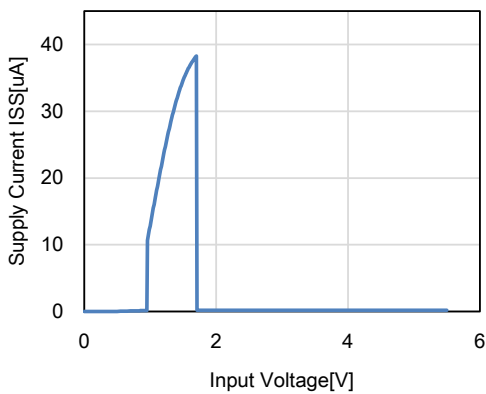


## 8) Supply Current vs. Input Voltage ( $C_{IN}$ = Ceramic 1.0 $\mu$ F, $C_{OUT}$ = Ceramic 1.0 $\mu$ F, $T_a$ = 25°C)

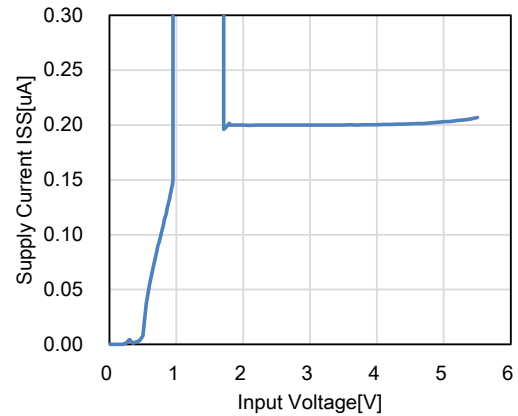
### RP118x121x



### RP118x181x (10 $\mu$ A/div)

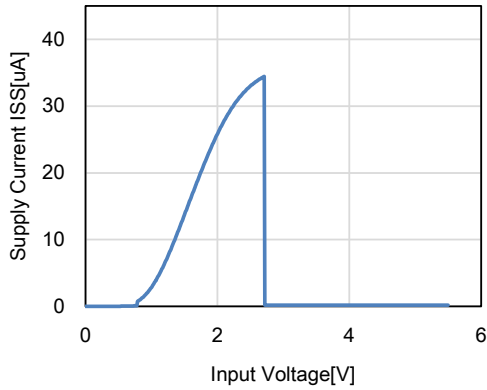


### RP118x181x (0.05 $\mu$ A/div)

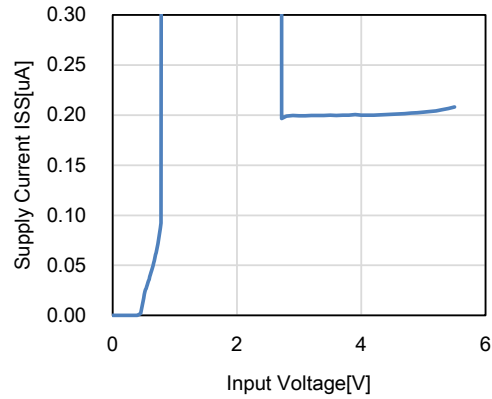


※ Typical characteristics at  $I_{OUT} = 1$  mA are evaluated in a fast response mode.

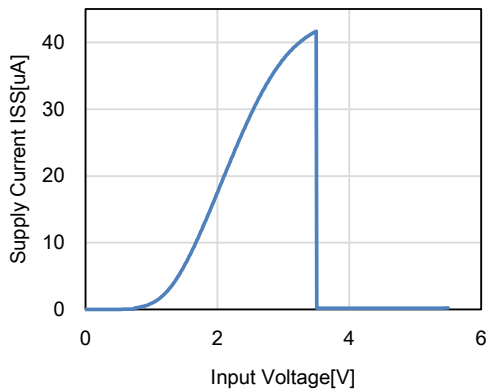
**RP118x281x**  
(10  $\mu\text{A}/\text{div}$ )



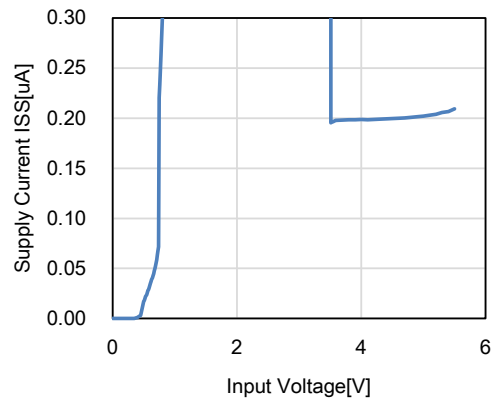
**RP118x281x**  
(0.05  $\mu\text{A}/\text{div}$ )



**RP118x361x**  
(10  $\mu\text{A}/\text{div}$ )

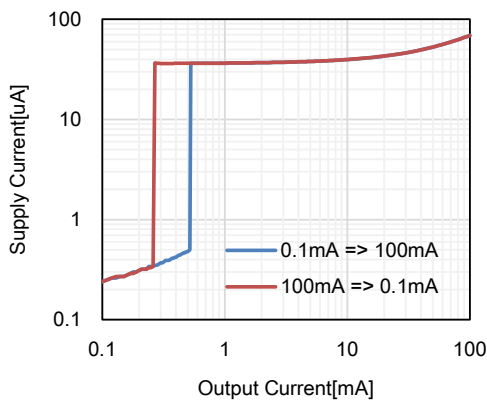


**RP118x361x**  
(0.05  $\mu\text{A}/\text{div}$ )

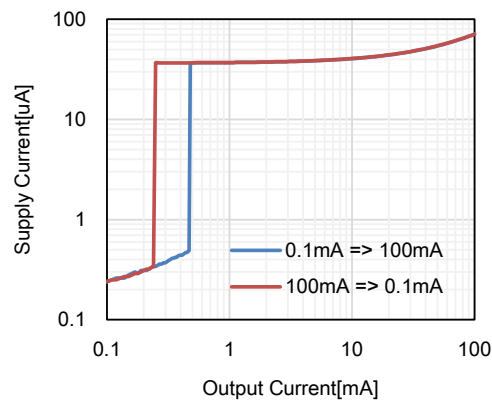


**9) Supply Current vs. Output Current ( $C_{\text{IN}} = \text{Ceramic } 1.0 \mu\text{F}$ ,  $C_{\text{OUT}} = \text{Ceramic } 1.0 \mu\text{F}$ ,  $T_a = 25^\circ\text{C}$ )**

**RP118x121x**



**RP118x181x**

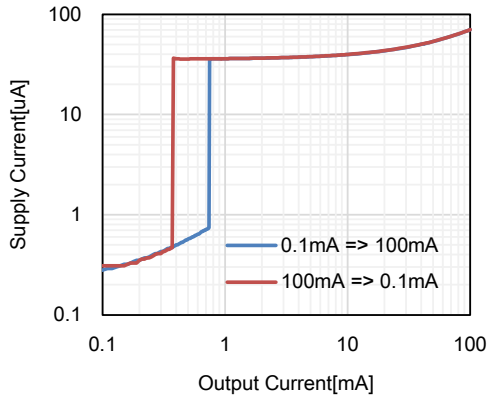


※ Typical characteristics at  $I_{\text{OUT}} = 1 \text{ mA}$  are evaluated in a fast response mode.

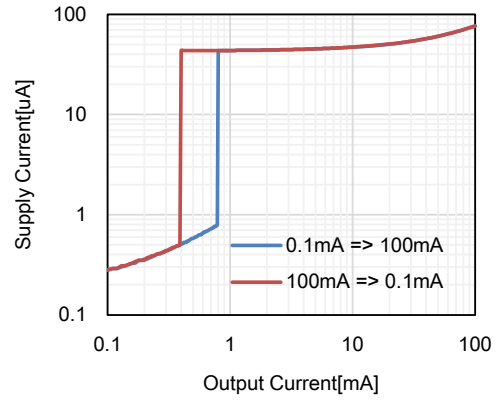
# RP118x

No. EA-399-181026

**RP118x281x**

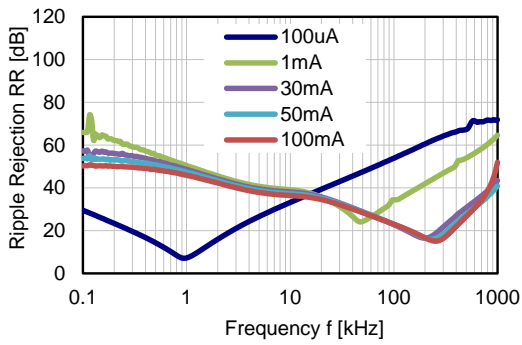


**RP118x361x**

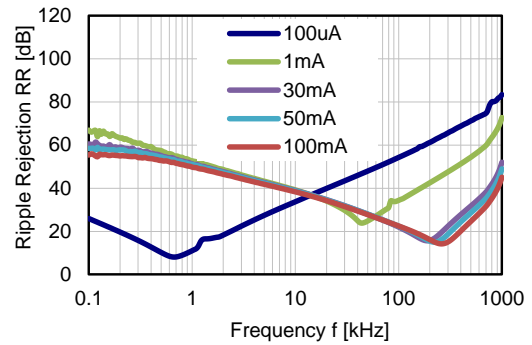


**10) Ripple Rejection vs. Frequency ( $C_{IN}$  = none,  $C_{OUT}$  = Ceramic 1.0  $\mu$ F,  $T_a$  = 25°C)**

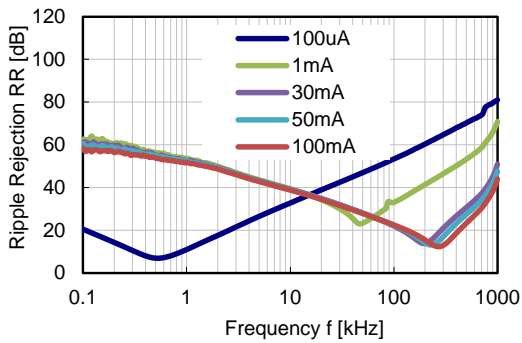
**RP118x121x,  $V_{IN}$  = 2.2 V**



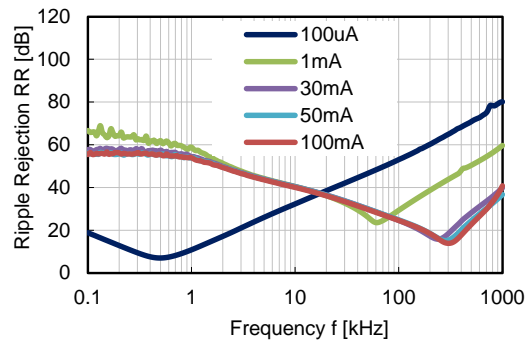
**RP118x181x,  $V_{IN}$  = 2.8 V**



**RP118x281x,  $V_{IN}$  = 3.8 V**

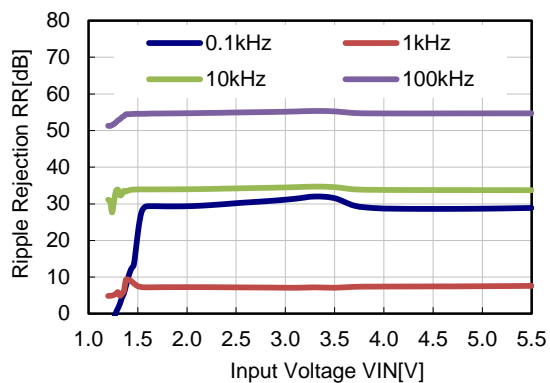


**RP118x361x,  $V_{IN}$  = 4.6 V**

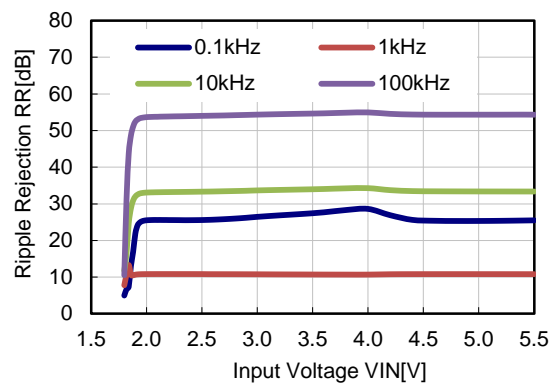


※ Typical characteristics at  $I_{OUT}$  = 1 mA are evaluated in a fast response mode.

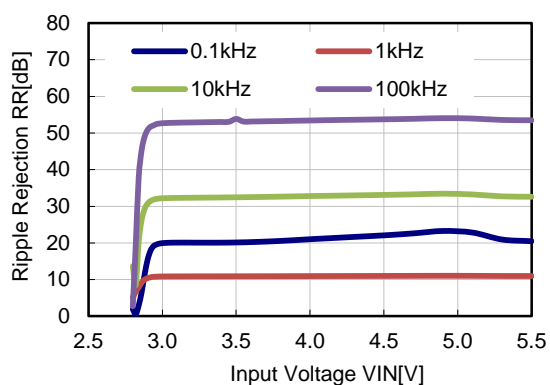
11) Ripple Rejection vs. Input Bias Voltage ( $C_{IN}$  = none,  $C_{OUT}$  = Ceramic 1.0  $\mu$ F,  $T_a$  = 25°C)  
 RP118x121x,  $I_{OUT}$  = 100  $\mu$ A      RP118x181x,  $I_{OUT}$  = 100  $\mu$ A



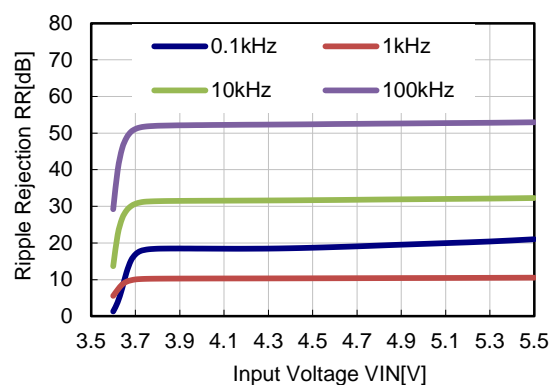
RP118x281x,  $I_{OUT}$  = 100  $\mu$ A



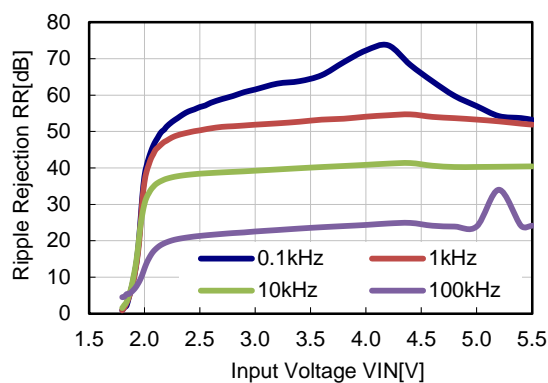
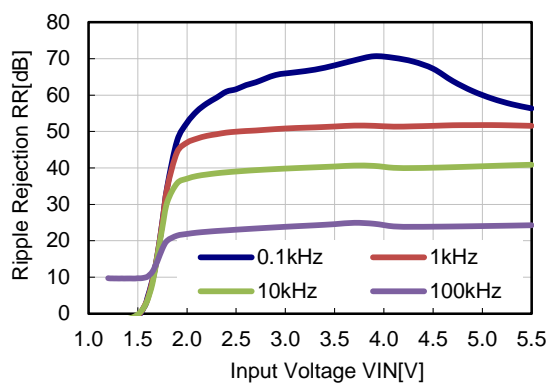
RP118x361x,  $I_{OUT}$  = 100  $\mu$ A



RP118x121x,  $I_{OUT}$  = 30 mA



RP118x181x,  $I_{OUT}$  = 30 mA

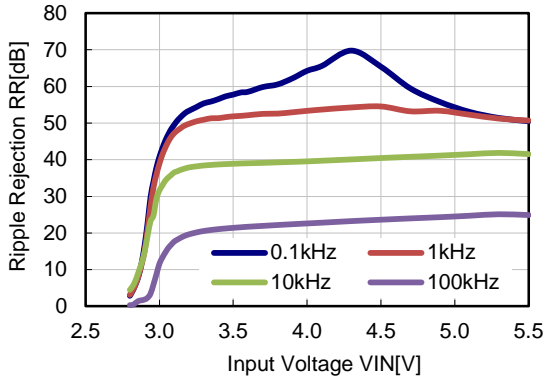


※ Typical characteristics at  $I_{OUT}$  = 1 mA are evaluated in a fast response mode.

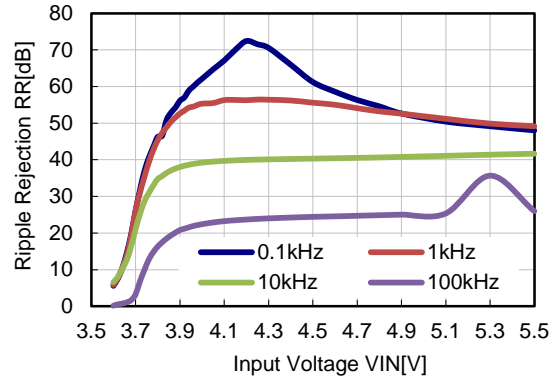
# RP118x

No. EA-399-181026

RP118x281x,  $I_{OUT} = 30\text{ mA}$

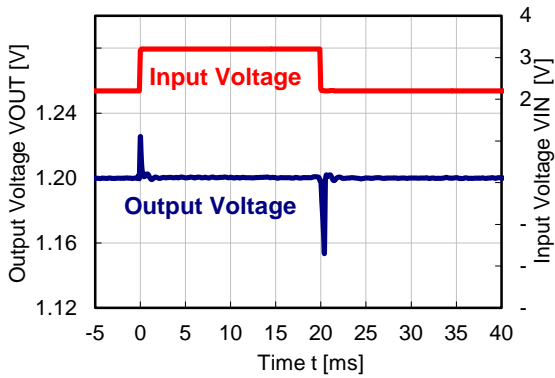


RP118x361x,  $I_{OUT} = 30\text{ mA}$

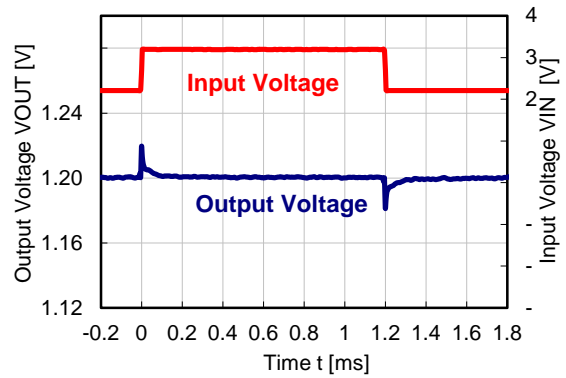


12) Input Transient Response ( $C_{IN} = \text{Ceramic } 0.1\ \mu\text{F}$ ,  $C_{OUT} = \text{Ceramic } 1.0\ \mu\text{F}$ ,  $T_a = 25^\circ\text{C}$ )

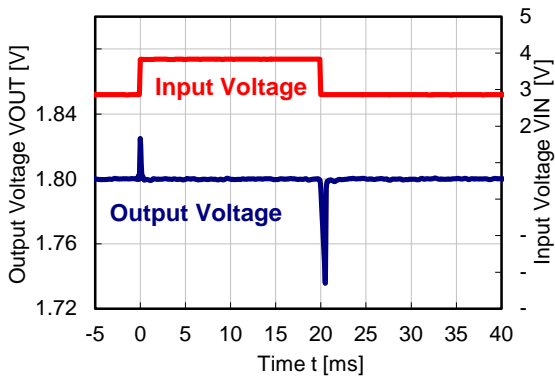
RP118x121x,  $I_{OUT} = 100\ \mu\text{A}$ ,  $t_R = t_F = 5\ \mu\text{s}$



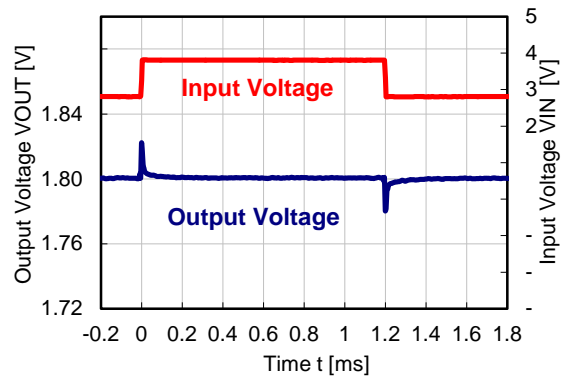
RP118x121x,  $I_{OUT} = 30\text{ mA}$ ,  $t_R = t_F = 5\ \mu\text{s}$



RP118x181x,  $I_{OUT} = 100\ \mu\text{A}$ ,  $t_R = t_F = 5\ \mu\text{s}$



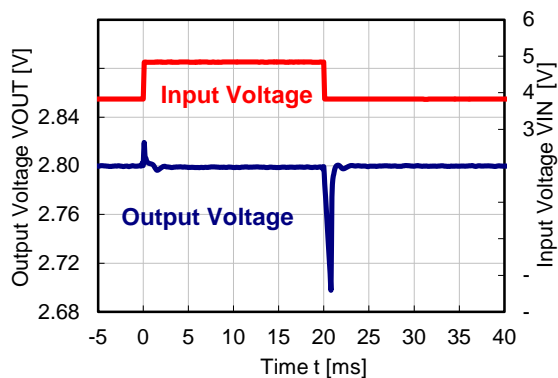
RP118x181x,  $I_{OUT} = 30\text{ mA}$ ,  $t_R = t_F = 5\ \mu\text{s}$



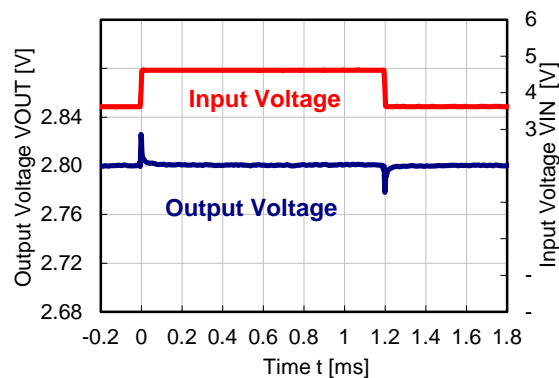
※ Typical characteristics at  $I_{OUT} = 1\text{ mA}$  are evaluated in a fast response mode.



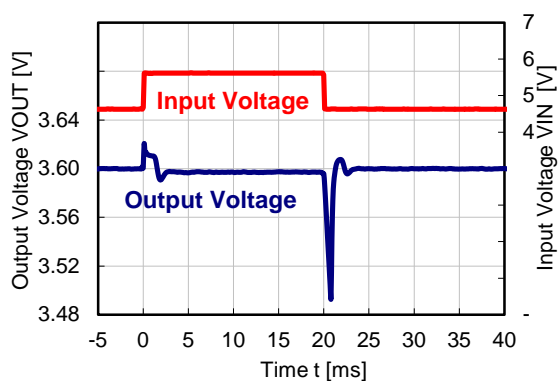
RP118x281x,  $I_{OUT} = 100 \mu A$ ,  $t_R = t_F = 5 \mu s$



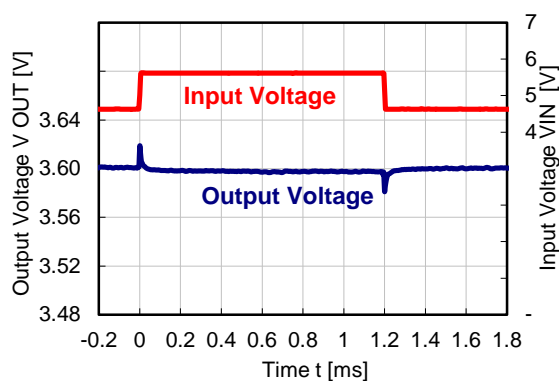
RP118x281x,  $I_{OUT} = 30 mA$ ,  $t_R = t_F = 5 \mu s$



RP118x361x,  $I_{OUT} = 100 \mu A$ ,  $t_R = t_F = 5 \mu s$



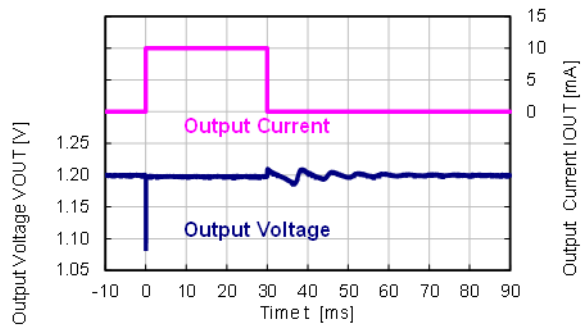
RP118x361x,  $I_{OUT} = 30 mA$ ,  $t_R = t_F = 5 \mu s$



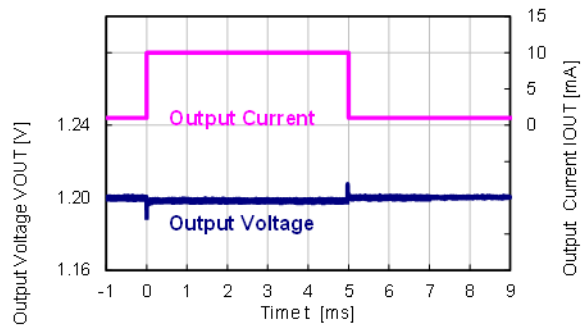
13) Load Transient Response ( $C_{IN} = \text{Ceramic } 1.0 \mu F$ ,  $C_{OUT} = \text{Ceramic } 1.0 \mu F$ ,  $T_a = 25^\circ C$ )

RP118x121x

$V_{IN} = 2.2 V$ ,  $I_{OUT} = 1 \mu A \Leftrightarrow 10 mA$ ,  $t_R = t_F = 5 \mu s$



$V_{IN} = 2.2 V$ ,  $I_{OUT} = 1 mA \Leftrightarrow 10 mA$ ,  $t_R = t_F = 5 \mu s$

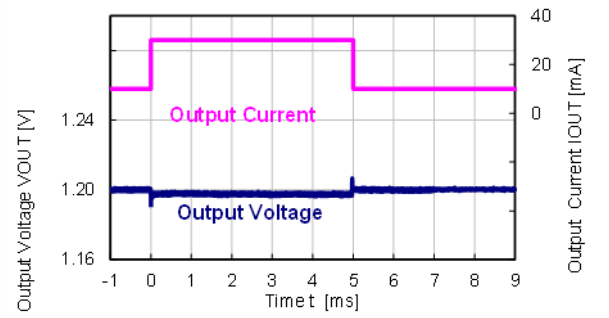


\* Typical characteristics at  $I_{OUT} = 1 mA$  are evaluated in a fast response mode.

# RP118x

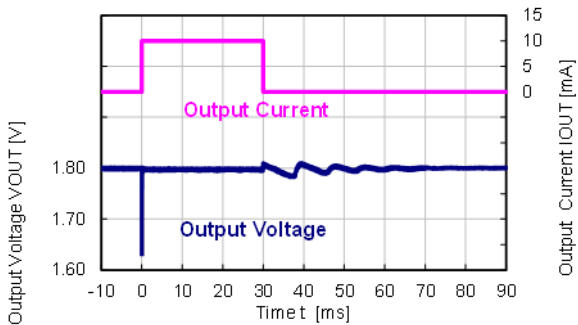
No. EA-399-181026

$V_{IN} = 2.2\text{ V}$ ,  $I_{OUT} = 10\text{ mA} \Leftrightarrow 30\text{ mA}$ ,  $t_R = t_F = 5\text{ }\mu\text{s}$

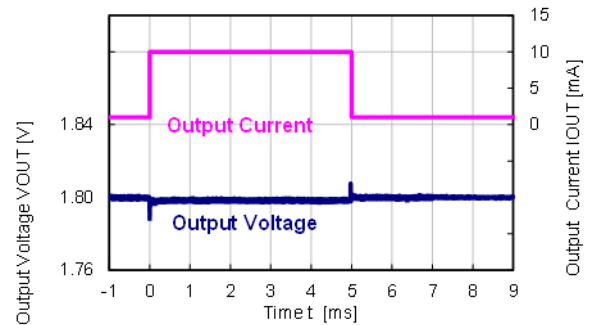


## RP118x181x

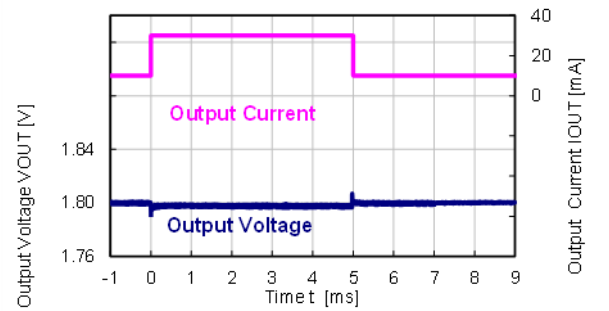
$V_{IN} = 2.8\text{ V}$ ,  $I_{OUT} = 1\text{ }\mu\text{A} \Leftrightarrow 10\text{ mA}$ ,  $t_R = t_F = 5\text{ }\mu\text{s}$



$V_{IN} = 2.8\text{ V}$ ,  $I_{OUT} = 1\text{ mA} \Leftrightarrow 10\text{ mA}$ ,  $t_R = t_F = 5\text{ }\mu\text{s}$

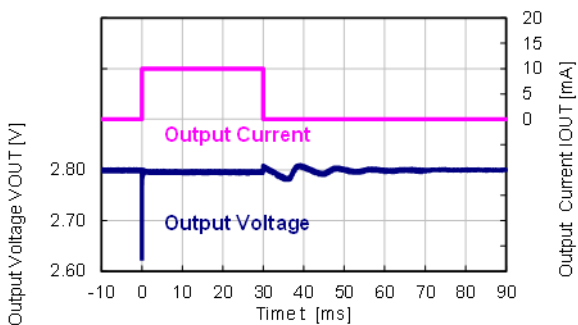


$V_{IN} = 2.8\text{ V}$ ,  $I_{OUT} = 10\text{ mA} \Leftrightarrow 30\text{ mA}$ ,  $t_R = t_F = 5\text{ }\mu\text{s}$

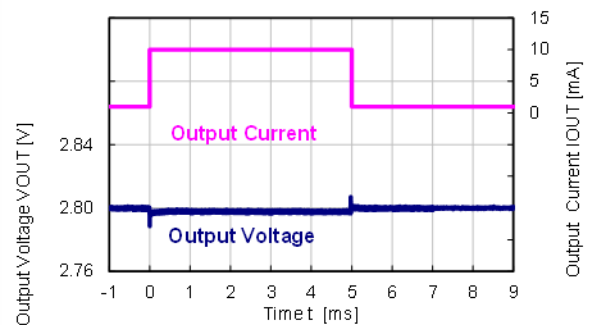


## RP118x281x

$V_{IN} = 3.8\text{ V}$ ,  $I_{OUT} = 1\text{ }\mu\text{A} \Leftrightarrow 10\text{ mA}$ ,  $t_R = t_F = 5\text{ }\mu\text{s}$

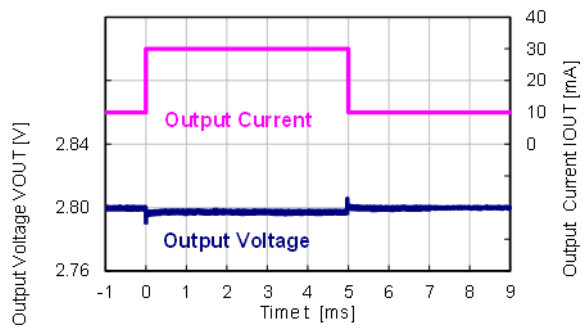


$V_{IN} = 3.8\text{ V}$ ,  $I_{OUT} = 1\text{ mA} \Leftrightarrow 10\text{ mA}$ ,  $t_R = t_F = 5\text{ }\mu\text{s}$



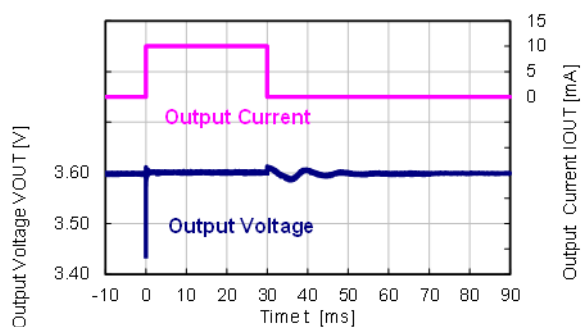
※ Typical characteristics at  $I_{OUT} = 1\text{ mA}$  are evaluated in a fast response mode.

$V_{IN} = 3.8\text{ V}$ ,  $I_{OUT} = 10\text{ mA} \Leftrightarrow 30\text{ mA}$ ,  $t_R = t_F = 5\text{ }\mu\text{s}$

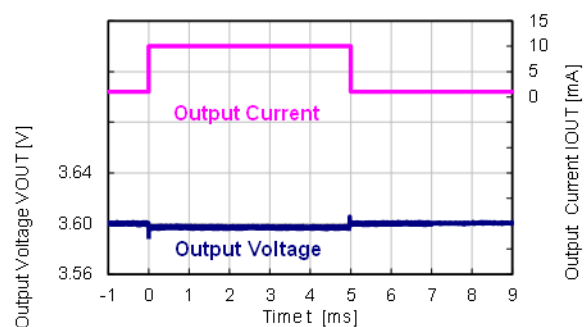


**RP118x361x**

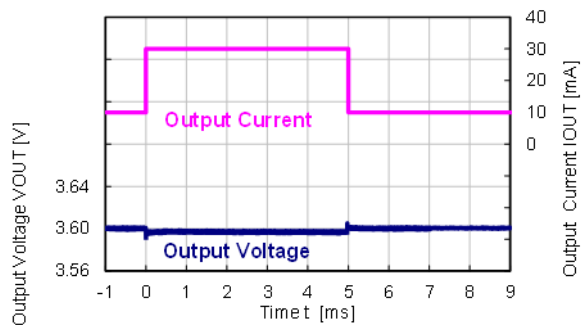
$V_{IN} = 4.6\text{ V}$ ,  $I_{OUT} = 1\text{ }\mu\text{A} \Leftrightarrow 10\text{ mA}$ ,  $t_R = t_F = 5\text{ }\mu\text{s}$



$V_{IN} = 4.6\text{ V}$ ,  $I_{OUT} = 1\text{ mA} \Leftrightarrow 10\text{ mA}$ ,  $t_R = t_F = 5\text{ }\mu\text{s}$



$V_{IN} = 4.6\text{ V}$ ,  $I_{OUT} = 10\text{ mA} \Leftrightarrow 30\text{ mA}$ ,  $t_R = t_F = 5\text{ }\mu\text{s}$



※ Typical characteristics at  $I_{OUT} = 1\text{ mA}$  are evaluated in a fast response mode.

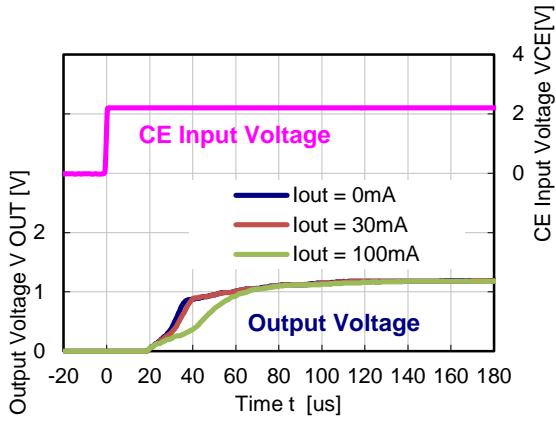
## RP118x

No. EA-399-181026

### 14) Turn On Speed with CE pin ( $C_{IN}$ = Ceramic 1.0 $\mu$ F, $C_{OUT}$ = Ceramic 1.0 $\mu$ F, $T_a$ = 25°C)

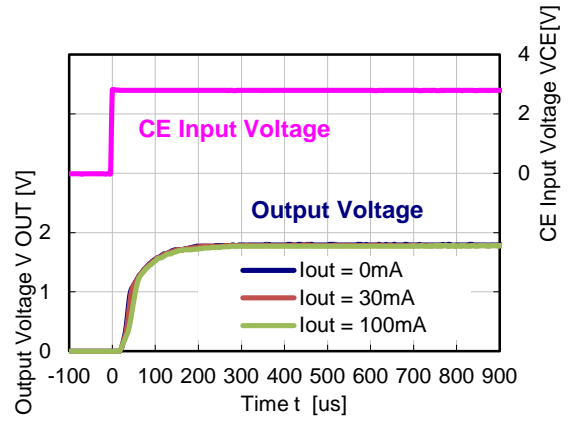
RP118x121x

$V_{IN} = 2.2$  V,  $V_{CE} = 0$  V  $\Rightarrow$  2.2 V



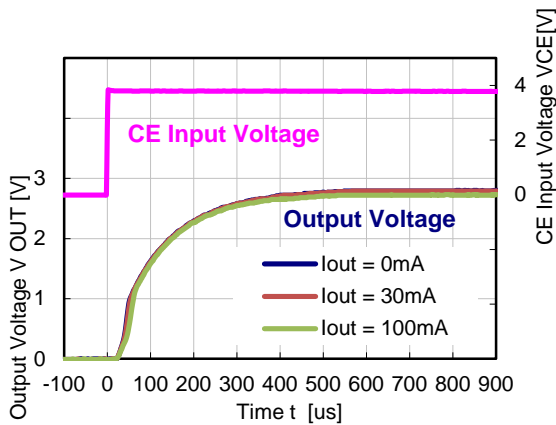
RP118x181x

$V_{IN} = 2.8$  V,  $V_{CE} = 0$  V  $\Rightarrow$  2.8 V



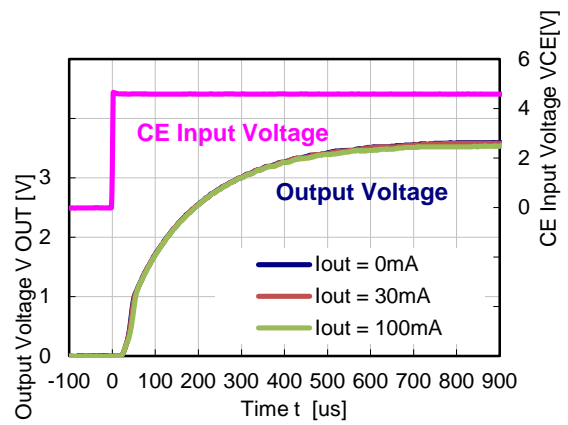
RP118x281x

$V_{IN} = 3.8$  V,  $V_{CE} = 0$  V  $\Rightarrow$  3.8 V



RP118x361x

$V_{IN} = 4.6$  V,  $V_{CE} = 0$  V  $\Rightarrow$  4.6 V

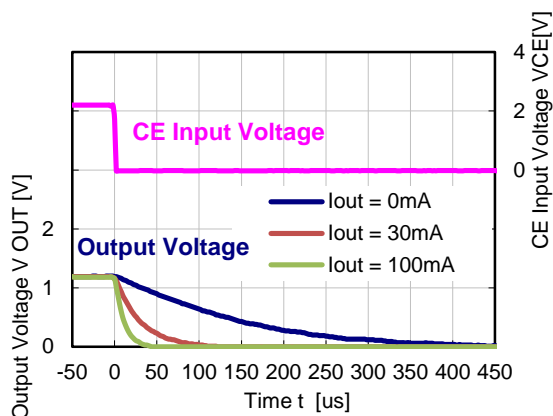


※ Typical characteristics at  $I_{OUT} = 1$  mA are evaluated in a fast response mode.

15) Turn OFF Speed with CE pin ( $C_{IN} = \text{Ceramic } 1.0 \mu\text{F}$ ,  $C_{OUT} = \text{Ceramic } 1.0 \mu\text{F}$ ,  $T_a = 25^\circ\text{C}$ )

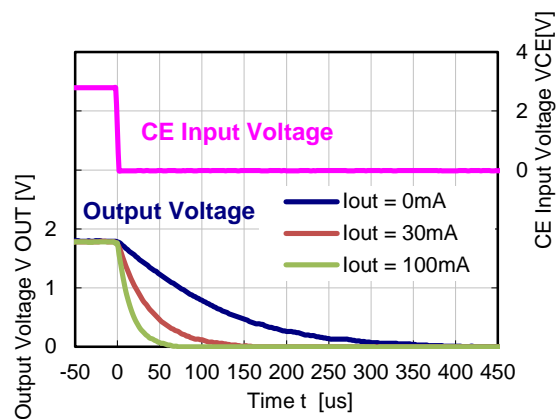
RP118x121D

$V_{IN} = 2.2 \text{ V}$ ,  $V_{CE} = 2.2 \text{ V} \Rightarrow 0 \text{ V}$



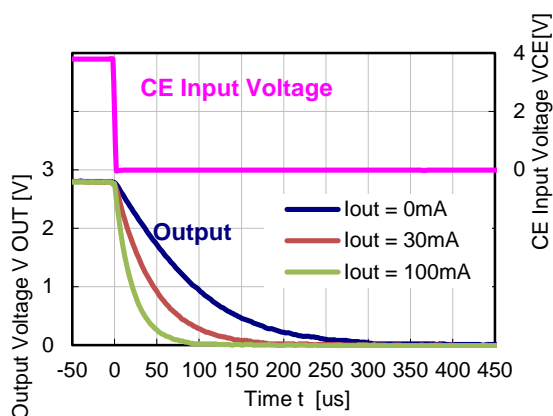
RP118x181D

$V_{IN} = 2.8 \text{ V}$ ,  $V_{CE} = 2.8 \text{ V} \Rightarrow 0 \text{ V}$



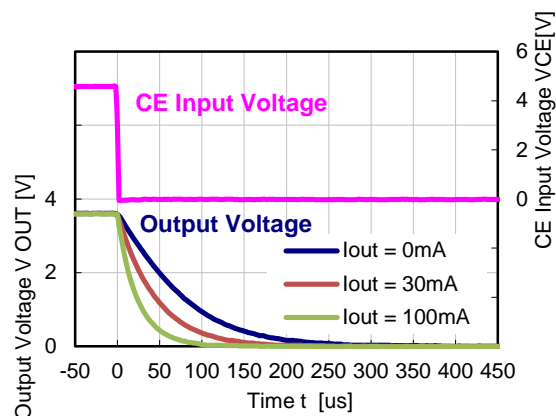
RP118x281D

$V_{IN} = 3.8 \text{ V}$ ,  $V_{CE} = 3.8 \text{ V} \Rightarrow 0 \text{ V}$



RP118x361D

$V_{IN} = 4.6 \text{ V}$ ,  $V_{CE} = 4.6 \text{ V} \Rightarrow 0 \text{ V}$



※ Typical characteristics at  $I_{OUT} = 1 \text{ mA}$  are evaluated in a fast response mode.

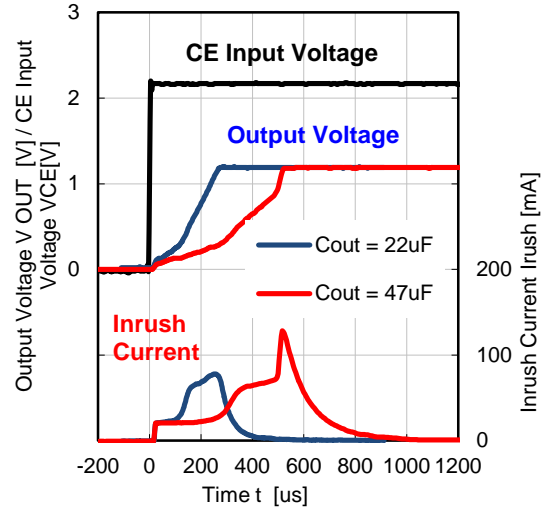
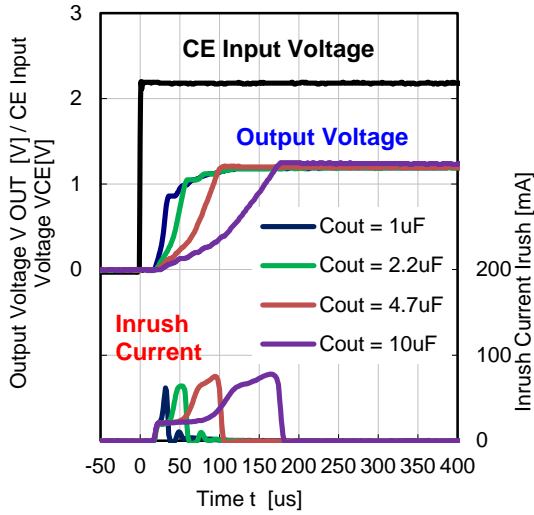
# RP118x

No. EA-399-181026

## 16) Inrush Current at turning on ( $C_{IN} = \text{none}$ , $T_a = 25^\circ\text{C}$ )

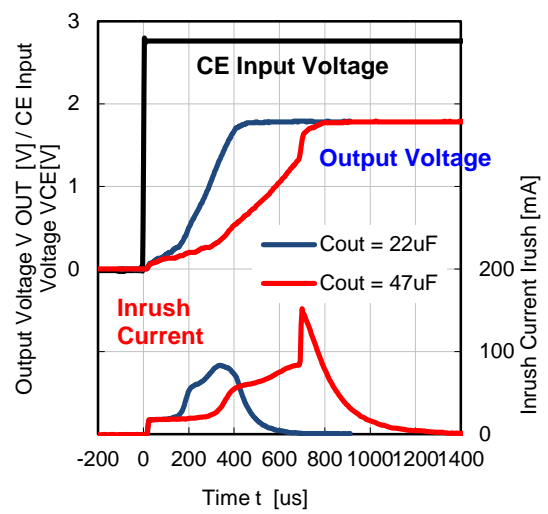
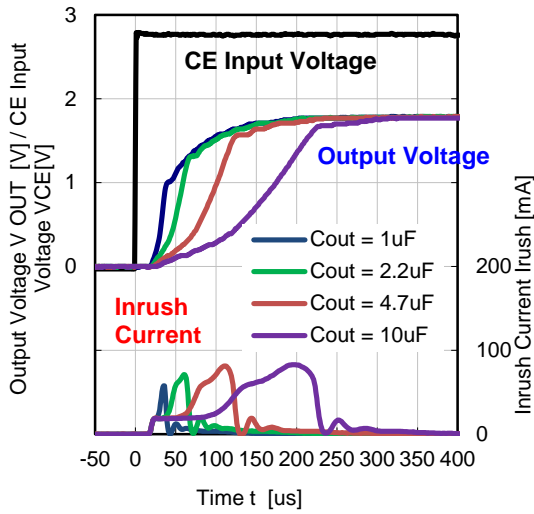
RP118x121x

$V_{IN} = 2.2\text{ V}$ ,  $V_{CE} = 0\text{ V} \Rightarrow 2.2\text{ V}$



RP118x181x

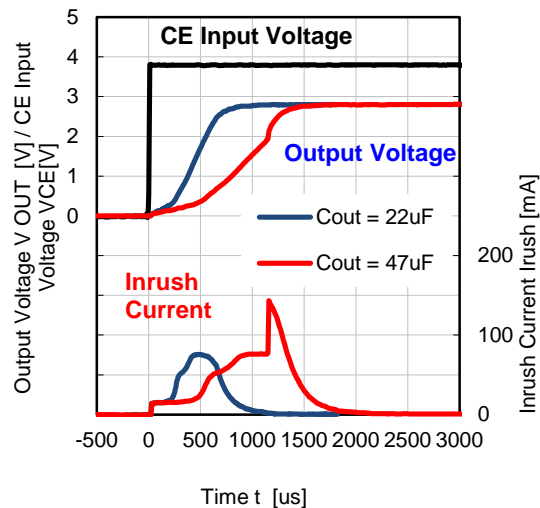
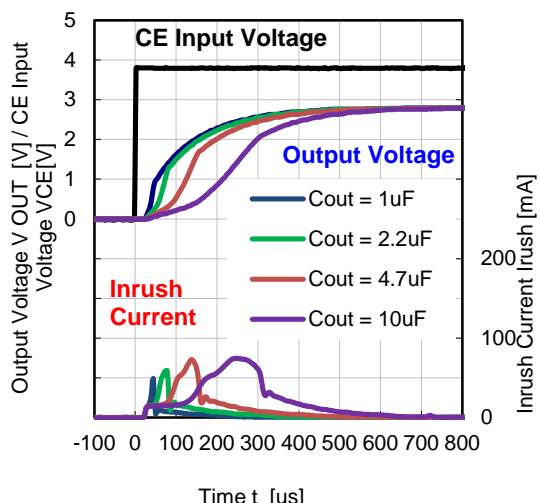
$V_{IN} = 2.8\text{ V}$ ,  $V_{CE} = 0\text{ V} \Rightarrow 2.8\text{ V}$



※ Typical characteristics at  $I_{OUT} = 1\text{ mA}$  are evaluated in a fast response mode.

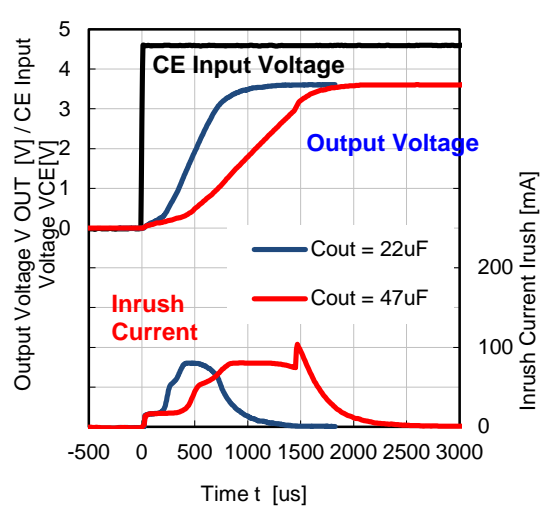
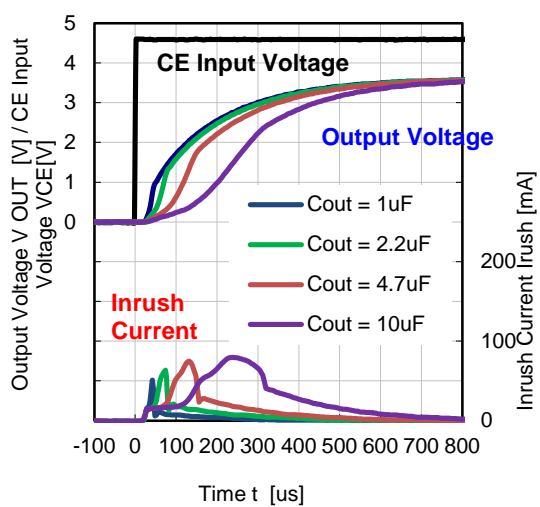
RP118x281x

$V_{IN} = 3.8\text{ V}, V_{CE} = 0\text{ V} \Rightarrow 3.8\text{ V}$



RP118x361x

$V_{IN} = 4.6\text{ V}, V_{CE} = 0\text{ V} \Rightarrow 4.6\text{ V}$



※ Typical characteristics at  $I_{OUT} = 1\text{ mA}$  are evaluated in a fast response mode.

---

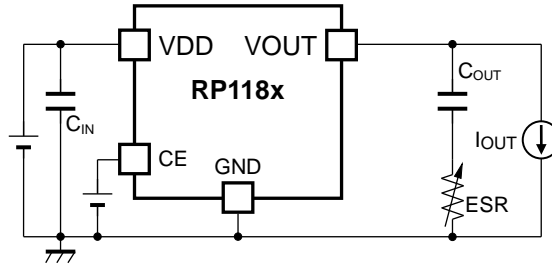
## RP118x

---

No. EA-399-181026

### ESR vs. Output Current

It is recommended that a ceramic type capacitor be used for this device. However, other types of capacitors having lower ESR can also be used. The relation between the output current ( $I_{OUT}$ ) and the ESR of output capacitor is shown below.



#### Measurement conditions

Frequency Band : 10 Hz to 2 MHz

Temperature :  $-40^{\circ}\text{C}$  to  $85^{\circ}\text{C}$

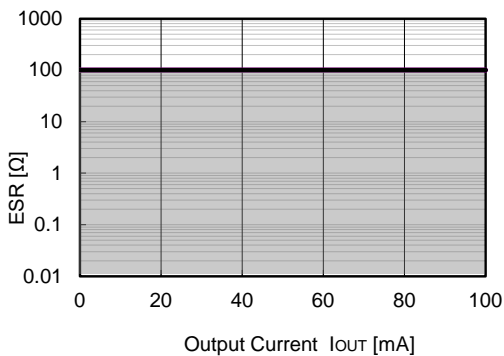
$C_{IN}$ ,  $C_{OUT}$  : Ceramic  $1.0\ \mu\text{F}$

**RP118x121x**

$V_{IN} = 1.7\ \text{V to } 5.5\ \text{V}$

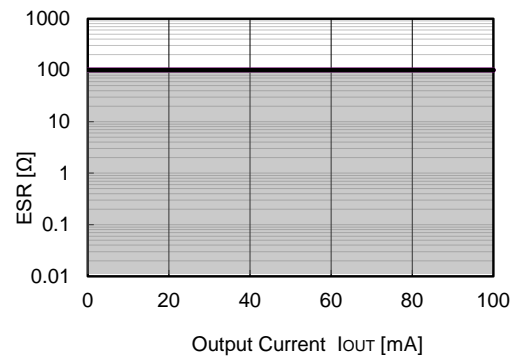
**RP118x181x**

$V_{IN} = 1.8\ \text{V to } 5.5\ \text{V}$



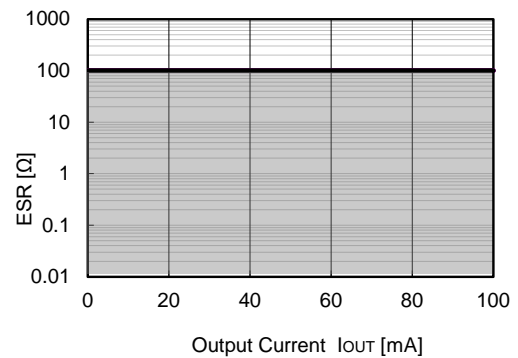
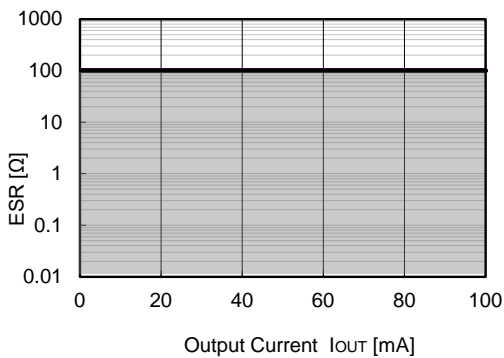
**RP118x281x**

$V_{IN} = 2.8\ \text{V to } 5.5\ \text{V}$



**RP118x361x**

$V_{IN} = 3.6\ \text{V to } 5.5\ \text{V}$





The power dissipation of the package is dependent on PCB material, layout, and environmental conditions. The following measurement conditions are based on JEDEC STD. 51-9.

**Measurement Conditions**

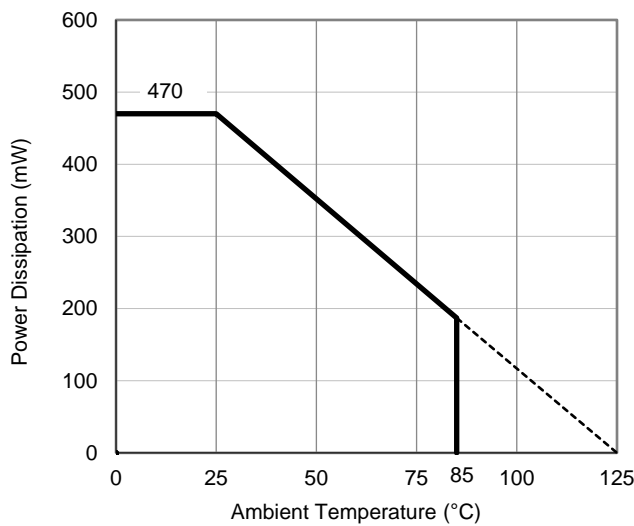
Item	Measurement Conditions
Environment	Mounting on Board (Wind Velocity = 0 m/s)
Board Material	Glass Cloth Epoxy Plastic (Four-Layer Board)
Board Dimensions	101.5 mm x 114.5 mm x 1.6 mm
Copper Ratio	Outer Layer (First Layer): 60% Inner Layers (Second and Third Layers): 100% Outer Layer (Fourth Layer): 60%

**Measurement Result**

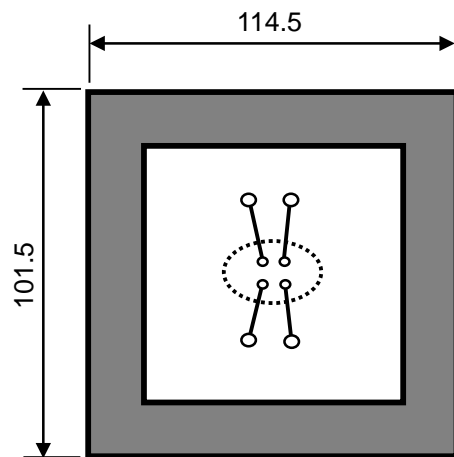
(Ta = 25°C, Tjmax = 125°C)

Item	Measurement Result
Power Dissipation	470 mW
Thermal Resistance ( $\theta_{ja}$ )	$\theta_{ja} = 212^{\circ}\text{C/W}$

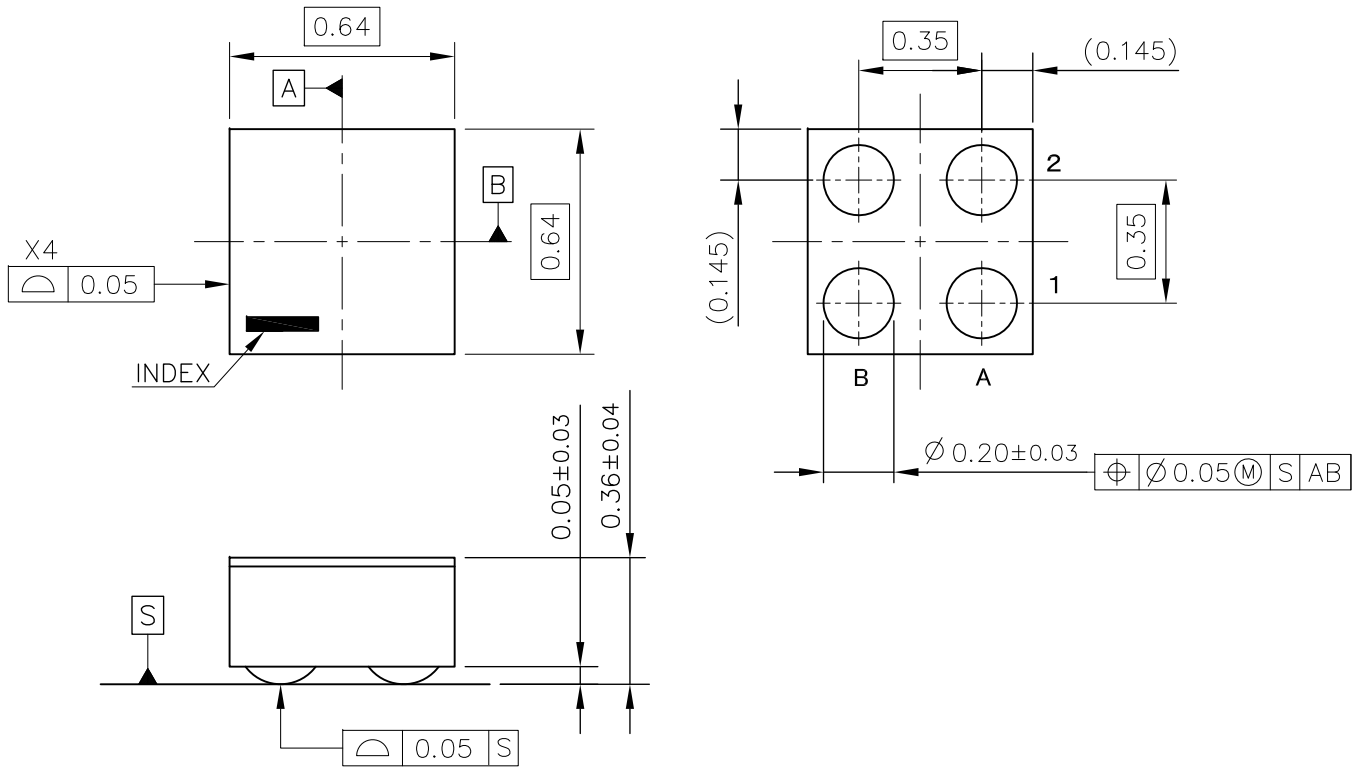
$\theta_{ja}$ : Junction-to-Ambient Thermal Resistance



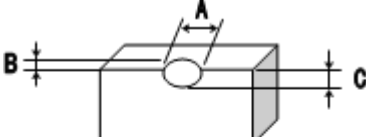
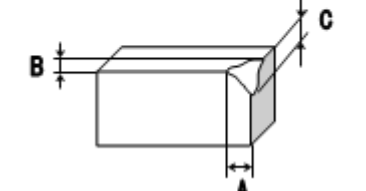
**Power Dissipation vs. Ambient Temperature**



**Measurement Board Pattern**



WLCSP-4-P8 Package Dimensions (Unit: mm)

No.	Inspection Items	Inspection Criteria	Figure
1	Package chipping	<p>A<math>\geq</math>0.2mm is rejected                      B<math>\geq</math>0.2mm is rejected                      C<math>\geq</math>0.2mm is rejected                      And, Package chipping to Si surface and to bump is rejected.</p>	
2	Si surface chipping	<p>A<math>\geq</math>0.2mm is rejected                      B<math>\geq</math>0.2mm is rejected                      C<math>\geq</math>0.2mm is rejected                      But, even if A<math>\geq</math>0.2mm, B<math>\leq</math>0.1mm is acceptable.</p>	
3	No bump	No bump is rejected.	
4	Marking miss	To reject incorrect marking, such as another product name marking or another lot No. marking.	
5	No marking	To reject no marking on the package.	
6	Reverse direction of marking	To reject reverse direction of marking character.	
7	Defective marking	To reject unreadable marking. (Microscope: X15/ White LED/ Viewed from vertical direction)	
8	Scratch	To reject unreadable marking character by scratch. (Microscope: X15/ White LED/ Viewed from vertical direction)	
9	Stain and Foreign material	To reject unreadable marking character by stain and foreign material. (Microscope: X15/ White LED/ Viewed from vertical direction)	

The power dissipation of the package is dependent on PCB material, layout, and environmental conditions. The following measurement conditions are based on JEDEC STD. 51-7.

**Measurement Conditions**

Item	Measurement Conditions
Environment	Mounting on Board (Wind Velocity = 0 m/s)
Board Material	Glass Cloth Epoxy Plastic (Four-Layer Board)
Board Dimensions	76.2 mm × 114.3 mm × 0.8 mm
Copper Ratio	Outer Layer (First Layer): Less than 95% of 50 mm Square Inner Layers (Second and Third Layers): Approx. 100% of 50 mm Square Outer Layer (Fourth Layer): Approx. 100% of 50 mm Square
Through-holes	φ 0.2 mm × 11 pcs

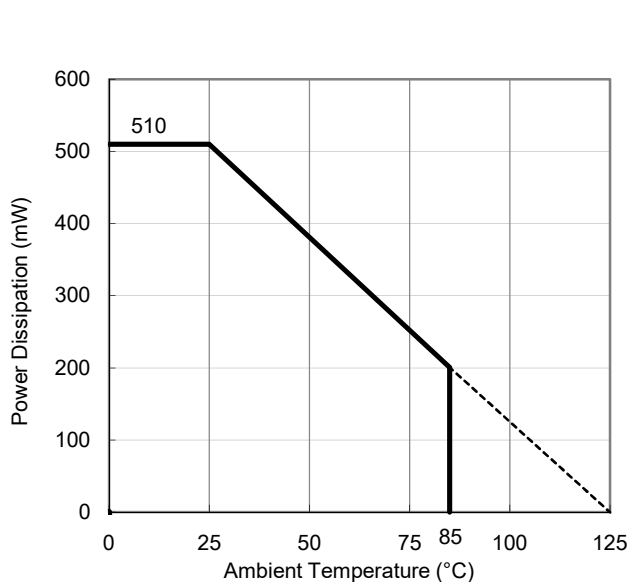
**Measurement Result**

(Ta = 25°C, Tjmax = 125°C)

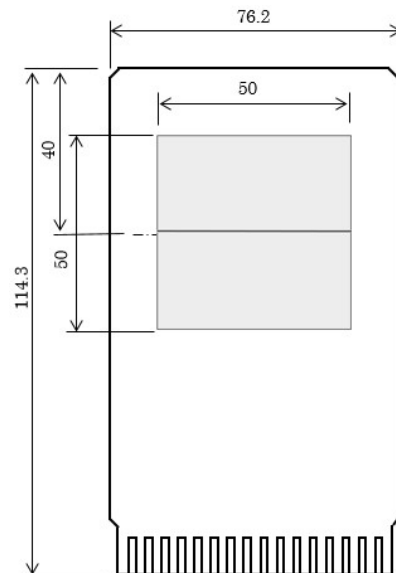
Item	Measurement Result
Power Dissipation	510 mW
Thermal Resistance (θja)	θja = 194°C/W
Thermal Characterization Parameter (ψjt)	ψjt = 120°C/W

θja: Junction-to-Ambient Thermal Resistance

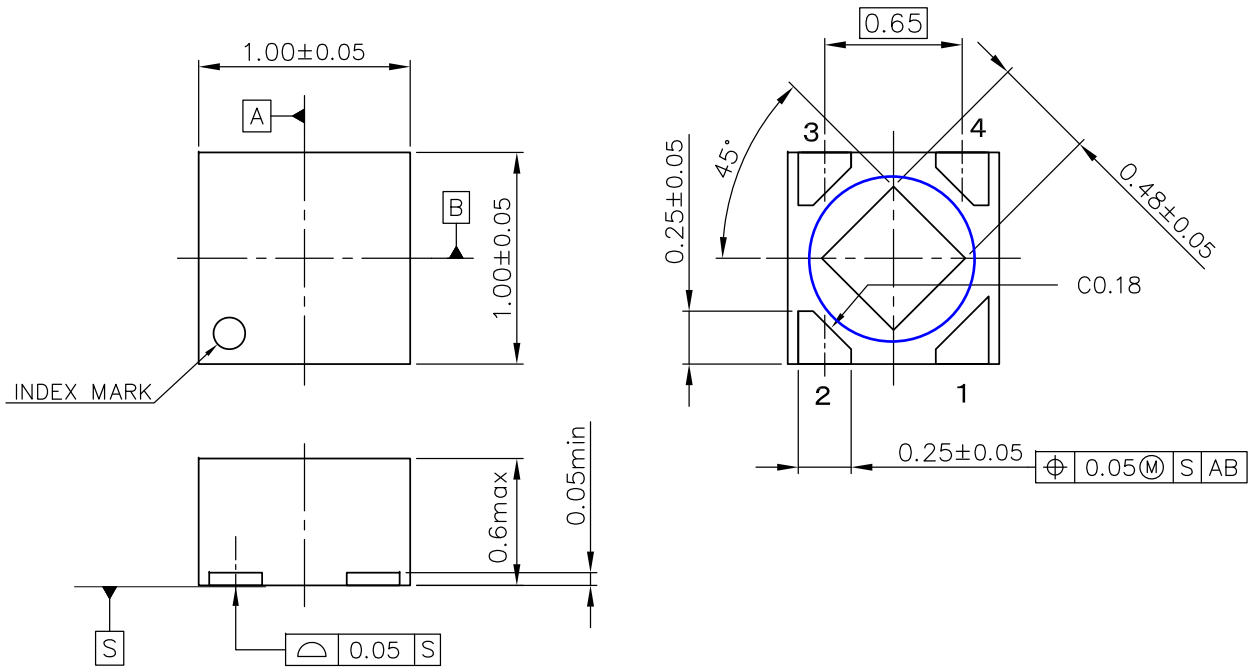
ψjt: Junction-to-Top Thermal Characterization Parameter



**Power Dissipation vs. Ambient Temperature**



**Measurement Board Pattern**



UNIT: mm

DFN(PLP)1010-4 Package Dimensions

\* The tab on the bottom of the package shown by blue circle is a substrate potential (GND/V<sub>DD</sub>). It is recommended that this tab be connected to the ground plane/V<sub>DD</sub> pin on the board but it is possible to leave the tab floating.

The power dissipation of the package is dependent on PCB material, layout, and environmental conditions. The following measurement conditions are based on JEDEC STD. 51-7.

**Measurement Conditions**

Item	Measurement Conditions
Environment	Mounting on Board (Wind Velocity = 0 m/s)
Board Material	Glass Cloth Epoxy Plastic (Four-Layer Board)
Board Dimensions	76.2 mm × 114.3 mm × 0.8 mm
Copper Ratio	Outer Layer (First Layer): Less than 95% of 50 mm Square Inner Layers (Second and Third Layers): Approx. 100% of 50 mm Square Outer Layer (Fourth Layer): Approx. 100% of 50 mm Square
Through-holes	φ 0.3 mm × 7 pcs

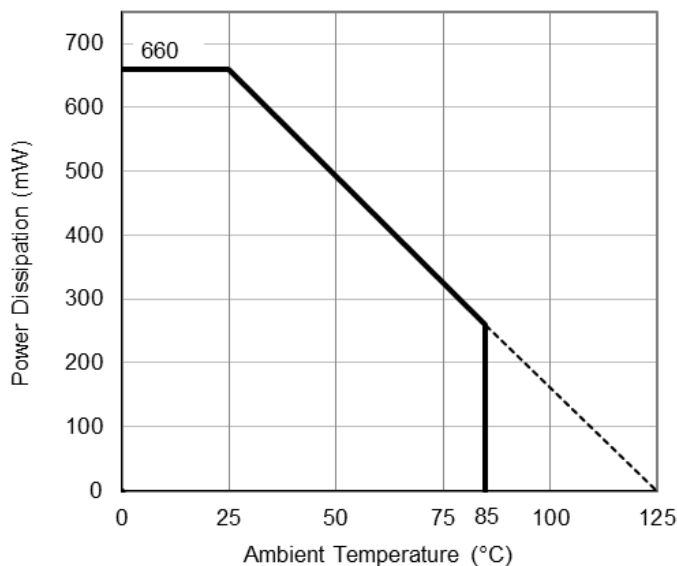
**Measurement Result**

(Ta = 25°C, Tjmax = 125°C)

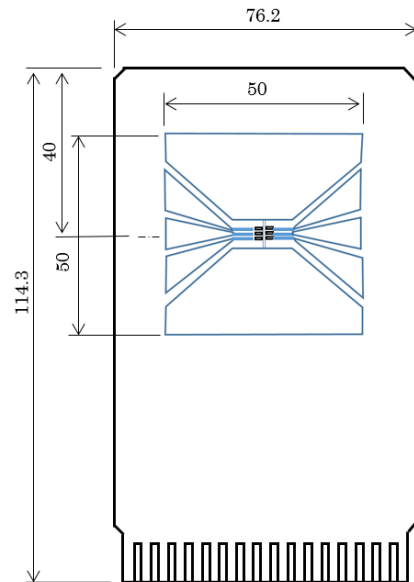
Item	Measurement Result
Power Dissipation	660 mW
Thermal Resistance (θja)	θja = 150°C/W
Thermal Characterization Parameter (ψjt)	ψjt = 51°C/W

θja: Junction-to-Ambient Thermal Resistance

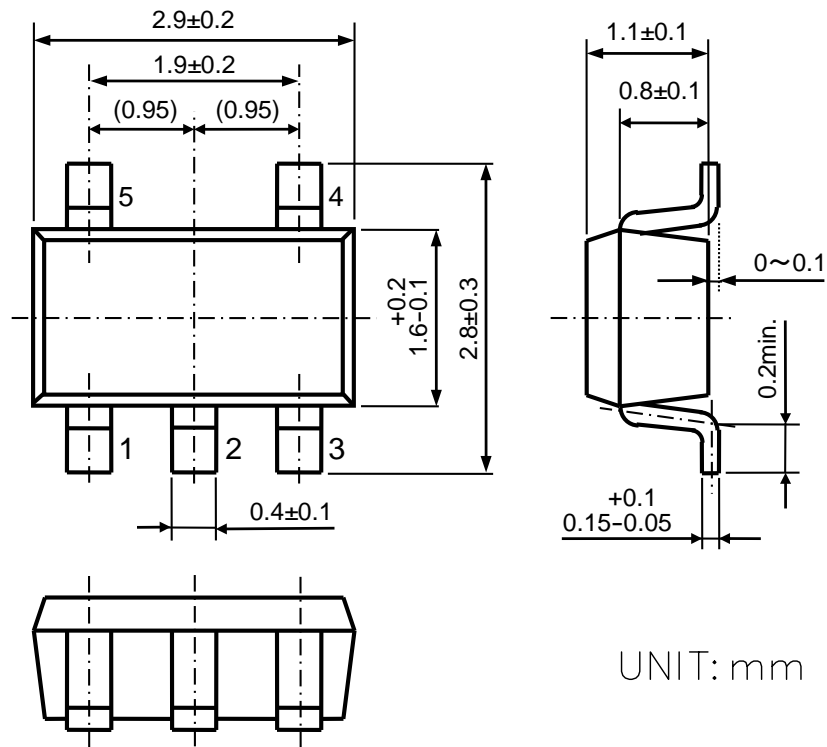
ψjt: Junction-to-Top Thermal Characterization Parameter



**Power Dissipation vs. Ambient Temperature**



**Measurement Board Pattern**



UNIT: mm

SOT-23-5 Package Dimensions



1. The products and the product specifications described in this document are subject to change or discontinuation of production without notice for reasons such as improvement. Therefore, before deciding to use the products, please refer to Ricoh sales representatives for the latest information thereon.
2. The materials in this document may not be copied or otherwise reproduced in whole or in part without prior written consent of Ricoh.
3. Please be sure to take any necessary formalities under relevant laws or regulations before exporting or otherwise taking out of your country the products or the technical information described herein.
4. The technical information described in this document shows typical characteristics of and example application circuits for the products. The release of such information is not to be construed as a warranty of or a grant of license under Ricoh's or any third party's intellectual property rights or any other rights.
5. The products listed in this document are intended and designed for use as general electronic components in standard applications (office equipment, telecommunication equipment, measuring instruments, consumer electronic products, amusement equipment etc.). Those customers intending to use a product in an application requiring extreme quality and reliability, for example, in a highly specific application where the failure or misoperation of the product could result in human injury or death (aircraft, spacevehicle, nuclear reactor control system, traffic control system, automotive and transportation equipment, combustion equipment, safety devices, life support system etc.) should first contact us.
6. We are making our continuous effort to improve the quality and reliability of our products, but semiconductor products are likely to fail with certain probability. In order to prevent any injury to persons or damages to property resulting from such failure, customers should be careful enough to incorporate safety measures in their design, such as redundancy feature, fire containment feature and fail-safe feature. We do not assume any liability or responsibility for any loss or damage arising from misuse or inappropriate use of the products.
7. Anti-radiation design is not implemented in the products described in this document.
8. The X-ray exposure can influence functions and characteristics of the products. Confirm the product functions and characteristics in the evaluation stage.
9. WLCSP products should be used in light shielded environments. The light exposure can influence functions and characteristics of the products under operation or storage.
10. There can be variation in the marking when different AOI (Automated Optical Inspection) equipment is used. In the case of recognizing the marking characteristic with AOI, please contact Ricoh sales or our distributor before attempting to use AOI.
11. Please contact Ricoh sales representatives should you have any questions or comments concerning the products or the technical information.



**Ricoh is committed to reducing the environmental loading materials in electrical devices with a view to contributing to the protection of human health and the environment.**

Ricoh has been providing RoHS compliant products since April 1, 2006 and Halogen-free products since April 1, 2012.

**RICOH** RICOH ELECTRONIC DEVICES CO., LTD.

<https://www.e-devices.ricoh.co.jp/en/>

#### Sales & Support Offices

##### **Ricoh Electronic Devices Co., Ltd.**

##### **Shin-Yokohama Office (International Sales)**

2-3, Shin-Yokohama 3-chome, Kohoku-ku, Yokohama-shi, Kanagawa, 222-8530, Japan  
Phone: +81-50-3814-7687 Fax: +81-45-474-0074

##### **Ricoh Americas Holdings, Inc.**

675 Campbell Technology Parkway, Suite 200 Campbell, CA 95008, U.S.A.  
Phone: +1-408-610-3105

##### **Ricoh Europe (Netherlands) B.V.**

##### **Semiconductor Support Centre**

Prof. W.H. Keesomlaan 1, 1183 DJ Amstelveen, The Netherlands  
Phone: +31-20-5474-309

##### **Ricoh International B.V. - German Branch**

##### **Semiconductor Sales and Support Centre**

Oberrather Strasse 6, 40472 Düsseldorf, Germany  
Phone: +49-211-6546-0

##### **Ricoh Electronic Devices Korea Co., Ltd.**

3F, Haesung Bldg, 504, Teheran-ro, Gangnam-gu, Seoul, 135-725, Korea  
Phone: +82-2-2135-5700 Fax: +82-2-2051-5713

##### **Ricoh Electronic Devices Shanghai Co., Ltd.**

Room 403, No.2 Building, No.690 Bibo Road, Pu Dong New District, Shanghai 201203,  
People's Republic of China  
Phone: +86-21-5027-3200 Fax: +86-21-5027-3299

##### **Ricoh Electronic Devices Shanghai Co., Ltd.**

##### **Shenzhen Branch**

1205, Block D (Jinlong Building), Kingkey 100, Hongbao Road, Luohu District,  
Shenzhen, China  
Phone: +86-755-8348-7600 Ext 225

##### **Ricoh Electronic Devices Co., Ltd.**

##### **Taipei office**

Room 109, 10F-1, No.51, Hengyang Rd., Taipei City, Taiwan  
Phone: +886-2-2313-1621/1622 Fax: +886-2-2313-1623



# Mouser Electronics

Authorized Distributor

Click to View Pricing, Inventory, Delivery & Lifecycle Information:

## Ricoh Electronics:

[RP118N301D-TR-FE](#) [RP130K121D-TR-Y](#) [RP130K301A-TR](#) [RP118Z121D5-TR-F](#) [RP124N233E-TR-FE](#)  
[RP124N303B-TR-FE](#) [RP122K461D-TR](#) [RP118Z331D-TR-F](#) [RP118K211B-TR](#) [RP118K311D-TR](#) [RP118Z311D-TR-F](#)  
[RP402K382A-TR](#) [RP402K532A-TR](#)



Компания «ЭлектроПласт» предлагает заключение долгосрочных отношений при поставках импортных электронных компонентов на взаимовыгодных условиях!

Наши преимущества:

- Оперативные поставки широкого спектра электронных компонентов отечественного и импортного производства напрямую от производителей и с крупнейших мировых складов;
- Поставка более 17-ти миллионов наименований электронных компонентов;
- Поставка сложных, дефицитных, либо снятых с производства позиций;
- Оперативные сроки поставки под заказ (от 5 рабочих дней);
- Экспресс доставка в любую точку России;
- Техническая поддержка проекта, помощь в подборе аналогов, поставка прототипов;
- Система менеджмента качества сертифицирована по Международному стандарту ISO 9001;
- Лицензия ФСБ на осуществление работ с использованием сведений, составляющих государственную тайну;
- Поставка специализированных компонентов (Xilinx, Altera, Analog Devices, Intersil, Interpoint, Microsemi, Aeroflex, Peregrine, Syfer, Eurofarad, Texas Instrument, Miteq, Cobham, E2V, MA-COM, Hittite, Mini-Circuits, General Dynamics и др.);

Помимо этого, одним из направлений компании «ЭлектроПласт» является направление «Источники питания». Мы предлагаем Вам помощь Конструкторского отдела:

- Подбор оптимального решения, техническое обоснование при выборе компонента;
- Подбор аналогов;
- Консультации по применению компонента;
- Поставка образцов и прототипов;
- Техническая поддержка проекта;
- Защита от снятия компонента с производства.



#### Как с нами связаться

**Телефон:** 8 (812) 309 58 32 (многоканальный)

**Факс:** 8 (812) 320-02-42

**Электронная почта:** [org@eplast1.ru](mailto:org@eplast1.ru)

**Адрес:** 198099, г. Санкт-Петербург, ул. Калинина, дом 2, корпус 4, литера А.