

DS1088L

Fixed-Frequency EconOscillator™

General Description

The DS1088L is a low-cost clock generator that produces a square-wave output without external timing components. The fixed-frequency oscillator is available in factory-calibrated frequencies from 312kHz to 133MHz. The device has a power-down pin for power-sensitive applications.

Applications

- Printers
- Copiers
- Computer Peripherals
- POS Terminals
- Cable Modems

Ordering Information appears at end of data sheet.

Features

- Factory-Programmed Square-Wave Generator from 321kHz to 133MHz
- Single Output
- No External Timing Components Required
- 2.7V to 3.6V Supply
- Power-Down Mode
- 1% Frequency Tolerance Over Temperature and Voltage
- Wide Temperature Range (-20°C to +85°C)

Typical Operating Circuit



EconOscillator is a trademark of Maxim Integrated Products, Inc.

For related parts and recommended products to use with this part, refer to www.maximintegrated.com/DS1088L.related.

Absolute Maximum Ratings

(Voltages relative to ground.)

Voltage Range on V_{CC}-0.5V to +6.0V
 Voltage Range on \overline{PDN}-0.5V to ($V_{CC} + 0.5V$)*
 Operating Temperature Range..... -20°C to +85°C

Storage Temperature Range..... -55°C to +125°C
 Lead Temperature (soldering, 10s) +300°C
 Soldering Temperature (reflow) +260°C

*Not to exceed +6.0V.

Stresses beyond those listed under "Absolute Maximum Ratings" may cause permanent damage to the device. These are stress ratings only, and functional operation of the device at these or any other conditions beyond those indicated in the operational sections of the specifications is not implied. Exposure to absolute maximum rating conditions for extended periods may affect device reliability.

Recommended Operating Conditions

($T_A = -20^\circ\text{C}$ to $+85^\circ\text{C}$, unless otherwise noted.)

| PARAMETER | SYMBOL | CONDITIONS | MIN | TYP | MAX | UNITS |
|---|----------|------------|---------------------|-----|---------------------|-------|
| Supply Voltage | V_{CC} | (Note 1) | 2.7 | | 3.6 | V |
| High-Level Input Voltage (\overline{PDN}) | V_{IH} | | $0.7 \times V_{CC}$ | | $V_{CC} + 0.3$ | V |
| Low-Level Input Voltage (\overline{PDN}) | V_{IL} | | -0.3 | | $0.3 \times V_{CC}$ | V |

DC Electrical Characteristics

($V_{CC} = 2.7V$ to $3.6V$, $T_A = -20^\circ\text{C}$ to $+85^\circ\text{C}$, unless otherwise noted.)

| PARAMETER | SYMBOL | CONDITIONS | MIN | TYP | MAX | UNITS |
|---|-----------|---|----------------|-----|-----|---------------|
| High-Level Output Voltage (OUT) | V_{OH} | $I_{OH} = -4\text{mA}$, $V_{CC} = \text{MIN}$ | $V_{CC} - 0.4$ | | | V |
| Low-Level Output Voltage (OUT) | V_{OL} | $I_{OL} = 4\text{mA}$ | | | 0.4 | V |
| High-Level Input Current (\overline{PDN}) | I_{IH} | $V_{CC} = 3.6V$ | | | 1 | μA |
| Low-Level Input Current (\overline{PDN}) | I_{IL} | $V_{IL} = 0V$ | -1 | | | μA |
| Supply Current (Active) | I_{CC} | $V_{CC} = 3.6V$, $C_L = 15\text{pF}$, $f_O = 133\text{MHz}$ | | 15 | 24 | mA |
| Standby Current (Power-Down) | I_{CCQ} | Power-down mode | | | 10 | μA |

Oscillator Characteristics

($V_{CC} = 2.7V$ to $3.6V$, $T_A = -20^\circ C$ to $+85^\circ C$, unless otherwise noted.)

| PARAMETER | SYMBOL | CONDITIONS | MIN | TYP | MAX | UNITS |
|--|------------------------------|--|----------------|------|-------|-------|
| Output Frequency Range Available | f_O | | 0.3124 | | 133.3 | MHz |
| Output Frequency Tolerance | $\frac{\Delta f_O}{f_O}$ | $V_{CC} = 3.3V$, $T_A = +25^\circ C$ (Note 2) | -0.3 | | +0.3 | % |
| Voltage Frequency Variation | $\frac{\Delta f_V}{f_O}$ | Over voltage range, $T_A = +25^\circ C$ (Note 3) | -0.35 | | +0.35 | % |
| Temperature Frequency Variation | $\frac{\Delta f_T}{f_O}$ | Over temperature range, $V_{CC} = 3.3V$ (Notes 4, 5) | -20°C to +25°C | -0.7 | +0.7 | % |
| | | +25°C to +85°C | -0.5 | +0.5 | | |
| Frequency Variation Over Voltage and Temperature | $\frac{\Delta f_{V,T}}{f_O}$ | Over voltage and temperature range | -1.0 | | +1.0 | % |

AC Electrical Characteristics

($V_{CC} = 2.7V$ to $3.6V$, $T_A = -20^\circ C$ to $+85^\circ C$, unless otherwise noted.)

| PARAMETER | SYMBOL | CONDITIONS | MIN | TYP | MAX | UNITS |
|---|----------------------|----------------------------------|-----|-----|-----|---------|
| Power-Up Time | $t_{POR} + t_{STAB}$ | (Note 6) | | | 100 | μs |
| OUT Disabled After Entering Power-Down Mode | t_{PDN} | (Note 7) | | | 7 | μs |
| Load Capacitance | C_L | (Note 8) | | 15 | 50 | pF |
| Output Duty Cycle (OUT) | | $f_O < 80MHz$, $f_O \geq 80MHz$ | 40 | | 60 | % |
| | | $f_O < 80MHz$ | | 50 | | |

Note 1: All voltages are referenced to ground.

Note 2: Typical frequency shift due to aging is within $\pm 0.2\%$. Aging stressing includes level 1 moisture reflow preconditioning (24hr $+125^\circ C$ bake, 168hr $+85^\circ C/85\%RH$ moisture soak, and three solder reflow passes $+240^\circ C +0^\circ C/-5^\circ C$ peak) followed by 1000hr (max) V_{CC} biased $+125^\circ C$ OP/L, 1000hr unbiased $+150^\circ C$ bake, 1000 temperature cycles at $-55^\circ C$ to $+125^\circ C$, and 168hr $+121^\circ C/2$ ATM steam/unbiased autoclave.

Note 3: This is the change in output frequency due to changes in voltage at $T_A = +25^\circ C$.

Note 4: Guaranteed by design.

Note 5: This is the change in output frequency due to changes in temperature from the $+25^\circ C$ frequency at $V_{CC} = 3.3V$.

Note 6: This indicates the time elapsed between power-up and the output becoming active. An on-chip delay is intentionally introduced to allow the oscillator to stabilize. t_{STAB} is equivalent to approximately 512 clock cycles and will depend on the programmed oscillator frequency.

Note 7: Output disabled in two cycles or less of the output frequency.

Note 8: Output voltage swings may be impaired at high frequencies combined with high-output loading.

Typical Operating Characteristics

($V_{CC} = 3.3V$, $T_A = +25^\circ C$, unless otherwise noted.)



Pin Configuration



Pin Description

| PIN | NAME | FUNCTION |
|------|-------------------------|--|
| 1 | OUT | Oscillator Output |
| 2, 3 | V _{CC} | Power Supply |
| 4, 5 | GND | Ground |
| 6 | $\overline{\text{PDN}}$ | Active-Low Power-Down. When the pin is high, the oscillator is enabled. When the pin is low, the oscillator is disabled (power-down mode). |
| 7 | DNC | Do Not Connect. The DNC pins are internally connected to ground. |
| 8 | DNC | Do Not Connect |

Detailed Description

The DS1088L is a low-cost clock generator that produces a square-wave output without external timing components. The fixed-frequency oscillator is available in factory-calibrated frequencies from 312kHz to 133MHz. The device has a power-down pin for power-sensitive applications. A block diagram is shown in [Figure 1](#).

Output Frequency

The internal oscillator frequency is divided by the factory-programmed prescaler to produce an output frequency of 312kHz to 133MHz. Contact the factory for custom frequencies.

Power-Down Mode

The $\overline{\text{PDN}}$ pin disables the internal oscillator and the oscillator output for power-sensitive applications. The power-down pin must remain low for at least two output frequency cycles plus 10 μs for deglitching purposes. On power-up, the output is disabled until power is stable and the voltage-controlled oscillator has generated 512 clock cycles.

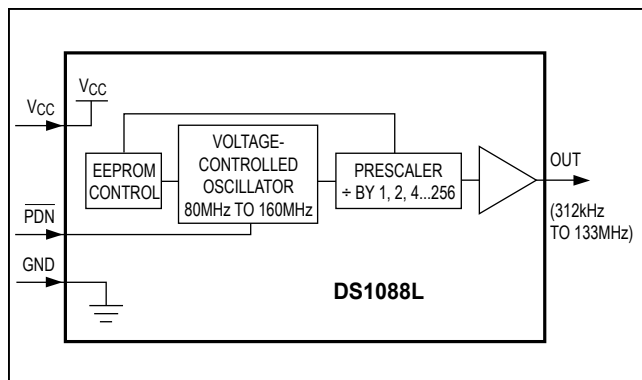


Figure 1. Block Diagram

Applications Information

Power-Supply Decoupling

To achieve the best results when using the DS1088L, the power supply must be decoupled with 0.01 μF and 0.1 μF high-quality, ceramic, surface-mount capacitors. Surface-mount components minimize lead inductance, which improves performance, and tend to have adequate high-frequency response for decoupling applications. These capacitors should be placed as close as possible to the VCC and GND pins.

Chip Information

SUBSTRATE CONNECTED TO GROUND

Ordering Information

| PART | FREQUENCY (MHz) | TEMP RANGE | PIN-PACKAGE |
|---------------|-----------------|----------------|-------------|
| DS1088LU-02+ | 2.048 | -20°C to +85°C | 8 μ SOP |
| DS1088LU-10+ | 10.0 | -20°C to +85°C | 8 μ SOP |
| DS1088LU-16+ | 16.6 | -20°C to +85°C | 8 μ SOP |
| DS1088LU-66+ | 66.6 | -20°C to +85°C | 8 μ SOP |
| DS1088LU-100+ | 100.0 | -20°C to +85°C | 8 μ SOP |
| DS1088LU-yyy+ | (see note) | -20°C to +85°C | 8 μ SOP |

Note: For more information about custom frequencies, email Custom_EconOscillators_Info@maximintegrated.com.

+Denotes a lead(Pb)-free/RoHS-compliant package.

yyy = frequency

Package Information

For the latest package outline information and land patterns (footprints), go to www.maximintegrated.com/packages. Note that a "+", "#", or "-" in the package code indicates RoHS status only. Package drawings may show a different suffix character, but the drawing pertains to the package regardless of RoHS status.

| PACKAGE TYPE | PACKAGE CODE | OUTLINE NO. | LAND PATTERN NO. |
|--------------|--------------|-------------------------|-------------------------|
| 8 μ SOP | U8+1 | 21-0036 | 90-0092 |

Revision History

| REVISION NUMBER | REVISION DATE | DESCRIPTION | PAGES CHANGED |
|-----------------|---------------|---|---------------|
| 0 | 10/04 | Initial release | — |
| 1 | 5/05 | Updated the <i>Oscillator Characteristics</i> table and added Note 8 | 3 |
| 2 | 1/12 | Added lead(Pb)-free ordering option to the <i>Ordering Information</i> table; added the lead and soldering temperature information to the <i>Absolute Maximum Ratings</i> section | 1, 2 |
| 3 | 4/15 | Removed automotive reference from data sheet | 1 |

For pricing, delivery, and ordering information, please contact Maxim Direct at 1-888-629-4642, or visit Maxim Integrated's website at www.maximintegrated.com.

Maxim Integrated cannot assume responsibility for use of any circuitry other than circuitry entirely embodied in a Maxim Integrated product. No circuit patent licenses are implied. Maxim Integrated reserves the right to change the circuitry and specifications without notice at any time. The parametric values (min and max limits) shown in the *Electrical Characteristics* table are guaranteed. Other parametric values quoted in this data sheet are provided for guidance.



Компания «ЭлектроПласт» предлагает заключение долгосрочных отношений при поставках импортных электронных компонентов на взаимовыгодных условиях!

Наши преимущества:

- Оперативные поставки широкого спектра электронных компонентов отечественного и импортного производства напрямую от производителей и с крупнейших мировых складов;
- Поставка более 17-ти миллионов наименований электронных компонентов;
- Поставка сложных, дефицитных, либо снятых с производства позиций;
- Оперативные сроки поставки под заказ (от 5 рабочих дней);
- Экспресс доставка в любую точку России;
- Техническая поддержка проекта, помощь в подборе аналогов, поставка прототипов;
- Система менеджмента качества сертифицирована по Международному стандарту ISO 9001;
- Лицензия ФСБ на осуществление работ с использованием сведений, составляющих государственную тайну;
- Поставка специализированных компонентов (Xilinx, Altera, Analog Devices, Intersil, Interpoint, Microsemi, Aeroflex, Peregrine, Syfer, Eurofarad, Texas Instrument, Miteq, Cobham, E2V, MA-COM, Hittite, Mini-Circuits, General Dynamics и др.);

Помимо этого, одним из направлений компании «ЭлектроПласт» является направление «Источники питания». Мы предлагаем Вам помощь Конструкторского отдела:

- Подбор оптимального решения, техническое обоснование при выборе компонента;
- Подбор аналогов;
- Консультации по применению компонента;
- Поставка образцов и прототипов;
- Техническая поддержка проекта;
- Защита от снятия компонента с производства.



Как с нами связаться

Телефон: 8 (812) 309 58 32 (многоканальный)

Факс: 8 (812) 320-02-42

Электронная почта: org@eplast1.ru

Адрес: 198099, г. Санкт-Петербург, ул. Калинина, дом 2, корпус 4, литера А.