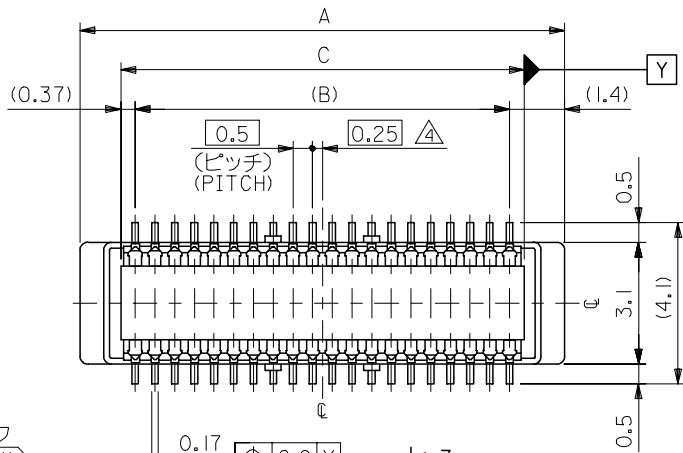
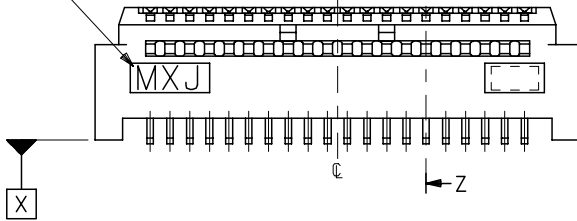


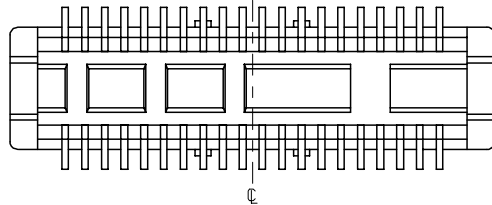
10 9 8 7 6 5 4 3 2 1



トレードマーク
TRADE MARK



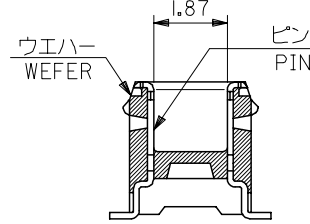
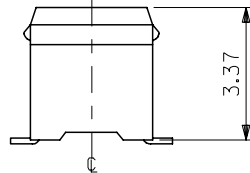
X



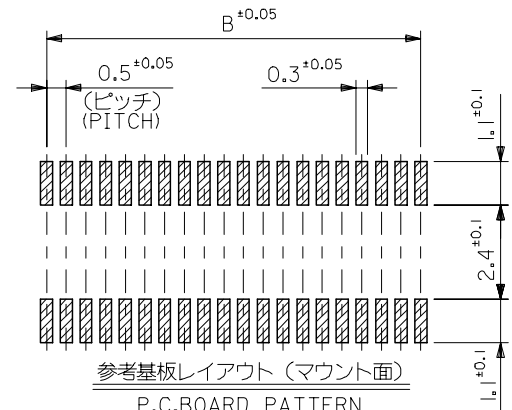
注記 NOTES:

1. 使用材料 MATERIAL
 ウエハー: LCPガラス入り(黒), UL94V-0
 WAFER: LCP(G.F.) (COLOR: BLACK),
 UL94V-0
 ピン: 黄銅 (t=0.15)
 PIN: BRASS (t=0.15)
 2. メッキ仕様 PLATING
 全体仕上げ: 金メッキ 0.1 MICROMETER MIN.
 ALL OVER: GOLD 0.1 MICROMETER MIN.
 下地メッキ: ニッケルメッキ 1.5 MICROMETER MIN.
 UNDER PLATING: NICKEL 1.5 MICROMETER MIN.
 3. 基準面 [X] からのソルダーテールの半田付け面のズレ量は、上方向 0、
 下方向 0.15MAX. とする。
 MISALIGNMENT OF SOLDER TAIL FROM [X]
 : UPPER DIRECTION 0, LOWER DIRECTION 0.15 MAX.
- △ (全極数/2) = 偶数の場合に適用。
 APPLY FOR (CIRCUIT/2) = EVEN.

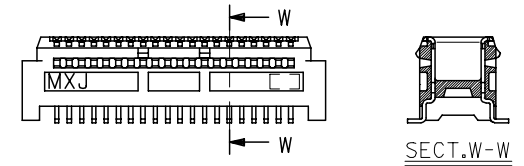
- 5 嵌合相手: 54167 シリーズ
 52991 シリーズ
 MATE WITH: 54167 SERIES,
 52991 SERIES.
- 6 テール平坦度は、0.1MAX.
 TAIL COPLANARITY TO BE 0.1MAX.



SECT. Z-Z



参考基板レイアウト (マウント面)
 P.C. BOARD PATTERN
 DIMENSION (REF.)
 (MOUNTING AREA)



SECT. W-W

60極品以上形状図
 SHAPE OF OVER 60CKT.

20.24	19.5	22.3	53916-0801	80
17.74	17.0	19.8	-0701	70
15.24	14.5	17.3	-0601	60
12.74	12.0	14.8	-0501	50
10.24	9.5	12.3	-0401	40
7.74	7.0	9.8	-0301	30
5.24	4.5	7.3	53916-0201	20
C	B	A	MATERIAL NO.	極数 CIRCUIT

REVISED EC NO: J2006-0604 DR: NNAIDA 2005/08/31 CHK: KYOTOODA 2005/09/01 APP: NUKITA 2005/09/09	DESCRIPTION	GENERAL TOLERANCES (UNLESS SPECIFIED)		DIMENSION STYLE MM ONLY		SCALE ---	DESIGN UNITS METRIC	THIRD ANGLE PROJECTION	
		10 UNDER	±0.2	DRAWN BY S. AIHARA	DATE '96/11/28				TITLE 0.5 B/B CONN PLUG ASSY (W/O BOSS, W/O NAIL) -LEAD FREE-
		10 OVER 30 UNDER	±0.25	CHECKED BY M. SASAO	DATE '01/12/26				
		30 OVER	±0.3	APPROVED BY M. SASAO	DATE '01/12/26				
ANGULAR ±3 °		MATERIAL NO. SEE CHART		DOCUMENT NO. SD-53916-001		SHEET NO. 1 OF 2			
DRAFT WHERE APPLICABLE MUST REMAIN WITHIN DIMENSIONS		SIZE A3		THIS DRAWING CONTAINS INFORMATION THAT IS PROPRIETARY TO MOLEX INCORPORATED AND SHOULD NOT BE USED WITHOUT WRITTEN PERMISSION					

10 9 8 7 6 5 4 3 2 1

F

E

D

C

B

A

F

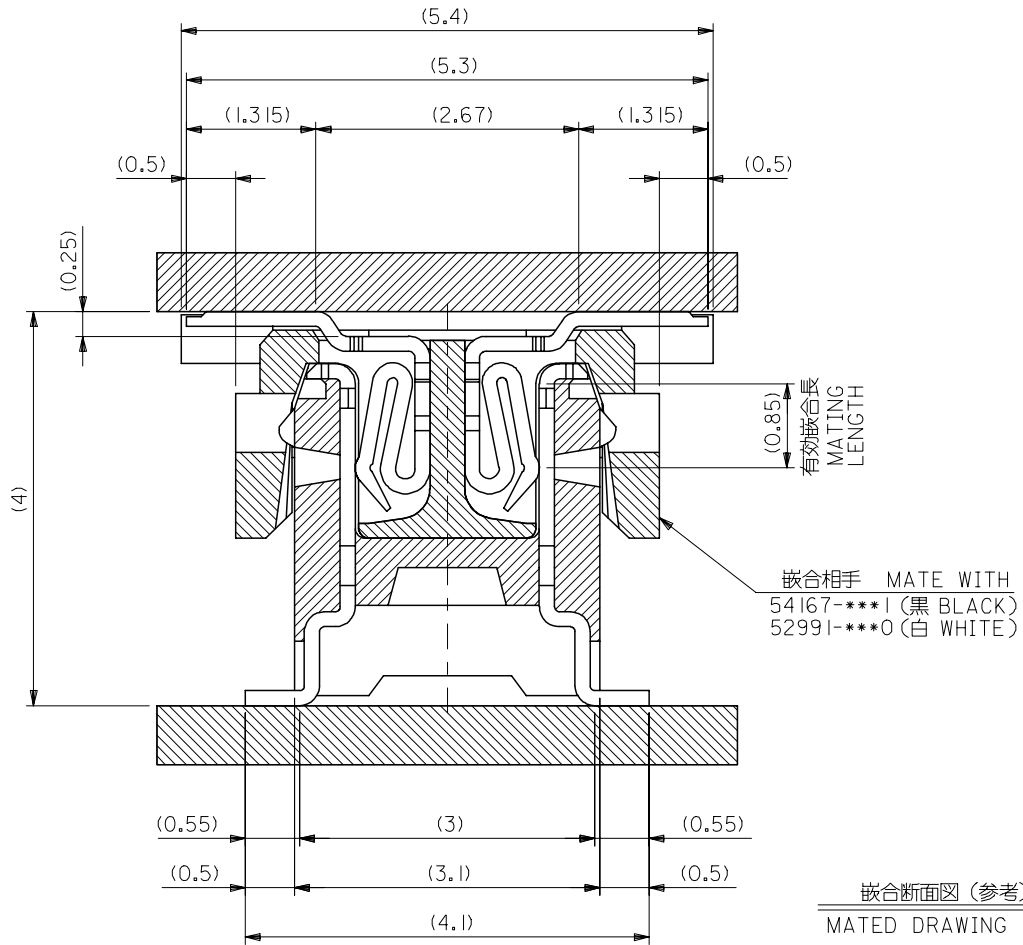
E

D

C

B

A



53916-***1 MODEL NO.

REVISED EC NO: J2006-0604 DRW:NAIDA 2005/08/31 CHK:KTOYODA 2005/09/01 APP:NUKITA 2005/09/09	GENERAL TOLERANCES (UNLESS SPECIFIED)		DIMENSION STYLE MM ONLY		SCALE ---	DESIGN UNITS METRIC	THIRD ANGLE PROJECTION	
	10 UNDER	± ---	DRAWN BY S. AIHARA	DATE '96/11/28	TITLE 0.5 B/B CONN PLUG ASSY (W/O BOSS, W/O NAIL) -LEAD FREE-			
	10 OVER 30 UNDER	± ---	CHECKED BY M. SASAO	DATE '01/12/26				
	30 OVER	± ---	APPROVED BY M. SASAO	DATE '01/12/26	MOLEX INCORPORATED			
ANGULAR	± --- °	MATERIAL NO. SEE CHART	DOCUMENT NO. SD-53916-001	SHEET NO. 2 OF 2				
DRAFT WHERE APPLICABLE MUST REMAIN WITHIN DIMENSIONS		THIS DRAWING CONTAINS INFORMATION THAT IS PROPRIETARY TO MOLEX INCORPORATED AND SHOULD NOT BE USED WITHOUT WRITTEN PERMISSION						

9

8

7

6

5

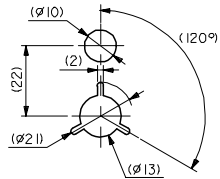
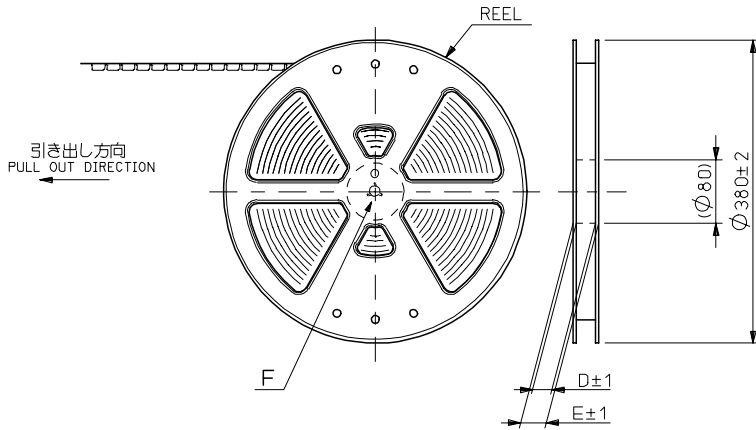
4

3

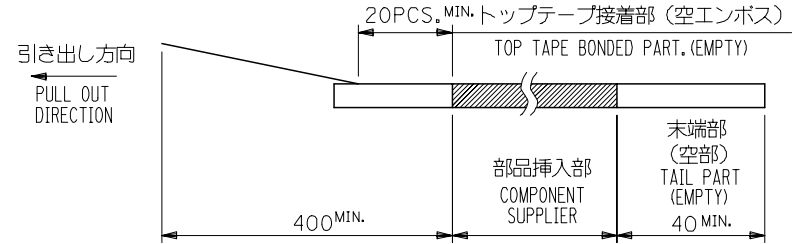
2

NOTES

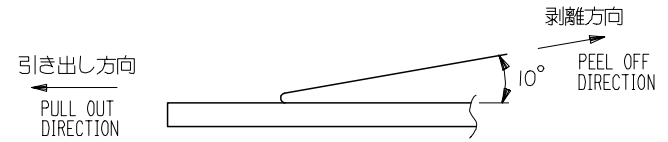
- 製品詳細寸法については図面 SD-53916-001 を参照下さい。
RE DETAILED DIMENSION, SEE SD-53916-001
- 梱包数量：1500個/リール
NUMBER OF CONNECTORS：1500PCS/REEL
- リードテープ長さ LEAD TAPE LENGTH



DETAIL F



- トップテープの剥離強度：0.1N~1.3N (10gf~130gf) (剥離方向は下図参照) 尚、本規格値は出荷時に適用。(但し、輸送時に剥離が発生しないこと。)
PEELING OFF FORCE OF TOP TAPE：0.1N~1.3N (10gf~130gf) (PEELING DIRECTION AS SHOWN IN FOLLOWING FIG.) THIS REQUIREMENT SHOULD BE APPLIED AT SHIPMENT. PEEL OFF SHOULD NOT BE ALLOWED, DURING TRANSPORTATION.



- 材料(MATERIAL)
キャリアテープ(CARRIER TAPE)：ポリプロピレン(POLYPROPYLENE)
トップテープ(TOPTAPE)：PET, PE, PEF
リール(REEL)：ポリスチレン(P.S) <リサイクル材を含む>
POLYSTYREN(PS) <RECYCLE MATERIAL CONTAINED>

53916-***8 MODEL NO.

REVISED EC NO: J2006-0604 DRW:NAIDA 2005/08/31 CHKD:KTOYODA 2005/09/01 APPR:NUKITA 2005/09/09	GENERAL TOLERANCES (UNLESS SPECIFIED)		DIMENSION STYLE MM ONLY	SCALE ---	DESIGN UNITS METRIC	THIRD ANGLE PROJECTION
	10 UNDER	± 0.2	DRAWN BY S. AIHARA	DATE '96/11/27	TITLE 0.5 B/B CONN PLUG ASSY EMBSTP PKG -LEAD FREE-	
	10 OVER 30 UNDER	± 0.25	CHECKED BY T. ITO	DATE '01/01/26	MOLEX INCORPORATED	
	30 OVER	± 0.3	APPROVED BY M. FUKUSHIMA	DATE '01/01/26	DOCUMENT NO. SD-53916-002	SHEET NO. 1 OF 4
	ANGULAR	± 3 °	MATERIAL NO. SEE CHART			
G	DRAFT WHERE APPLICABLE MUST REMAIN WITHIN DIMENSIONS		SIZE A3	THIS DRAWING CONTAINS INFORMATION THAT IS PROPRIETARY TO MOLEX INCORPORATED AND SHOULD NOT BE USED WITHOUT WRITTEN PERMISSION		

10 9 8 7 6 5 4 3 2 1

F

F

E

E

D

D

C

C

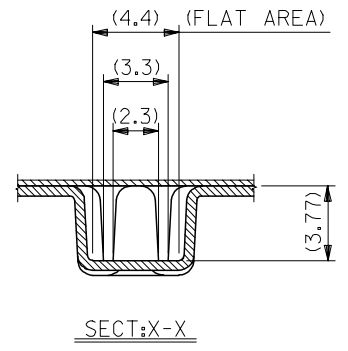
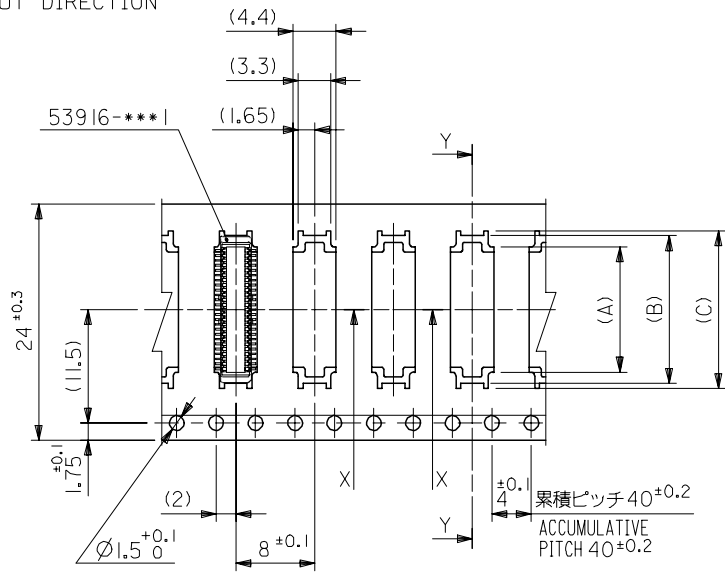
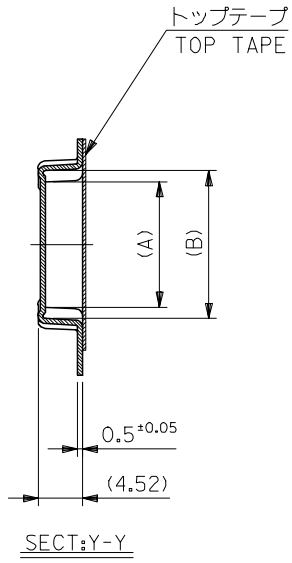
B

B

A

A

引き出し方向
PULL OUT DIRECTION



24mm幅キャリアテープ
24mm WIDTH CARRIER TAPE

24	29.4	25.4	16	15	12.67	53916-0508	50
			13.5	12.5	10.17	53916-0408	40
			11	10	7.67	53916-0308	30
			8.5	7.5	5.17	53916-0208	20

53916-***8		MODEL NO.		キャリアテープ幅 CARRIER TAPE WIDTH	E	D	(C)	(B)	(A)	MATERIAL NO.	極数 CIRCUIT
GENERAL TOLERANCES (UNLESS SPECIFIED)				DIMENSION STYLE MM ONLY			SCALE ---	DESIGN UNITS METRIC		THIRD ANGLE PROJECTION	
10 UNDER	± ---	DRAWN BY S. AIHARA		DATE '96/11/27		TITLE 0.5 B/B CONN PLUG ASSY EMBSTP PKG -LEAD FREE-					
10 OVER 30 UNDER	± ---	CHECKED BY T. ITO		DATE '01/01/26		MOLEX INCORPORATED					
30 OVER	± ---	APPROVED BY M. FUKUSHIMA		DATE '01/01/26							
ANGULAR ± --- °		MATERIAL NO.		DOCUMENT NO.		SHEET NO.					
DRAFT WHERE APPLICABLE MUST REMAIN WITHIN DIMENSIONS				SEE CHART		SD-53916-002		2 OF 4			
THIS DRAWING CONTAINS INFORMATION THAT IS PROPRIETARY TO MOLEX INCORPORATED AND SHOULD NOT BE USED WITHOUT WRITTEN PERMISSION											

10 9 8 7 6 5 4 3 2 1

F

E

D

C

B

A

F

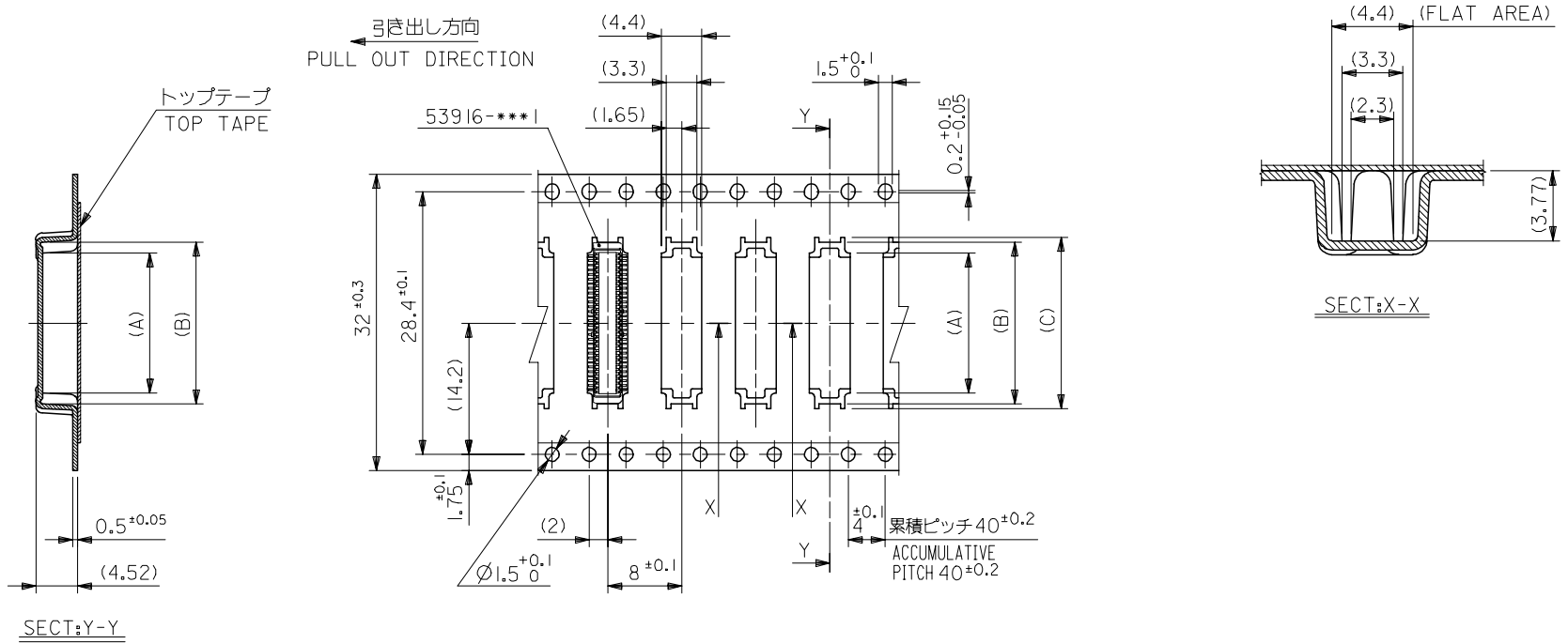
E

D

C

B

A



32mm幅キャリアテープ
32mm WIDTH CARRIER TAPE

REVISED	EC NO: J2006-0604	2005/08/31	DRWN:NAIDA	2005/09/01	CHKDK:TOYODA	2005/09/09	APPR:NUKITA	DESCRIPTION	53916-***8	MODEL NO.	32	37.4	33.4	18.5	17.5	15.17	53916-0608	60
G	GENERAL TOLERANCES (UNLESS SPECIFIED)								DIMENSION STYLE		SCALE		DESIGN UNITS		THIRD ANGLE PROJECTION			
10 UNDER		± ---		DRAWN BY		DATE		TITLE		---		METRIC		0.5 B/B CONN PLUG ASSY				
10 OVER 30 UNDER		± ---		T. YASUI		'97/05/14		EMBSTP PKG						-LEAD FREE-				
30 OVER		± ---		T. ITO		'01/01/26		APPROVED BY		DATE		MOLEX		MOLEX INCORPORATED				
ANGULAR		± --- °		M. FUKUSHIMA		'01/01/26		MATERIAL NO.		DOCUMENT NO.				SHEET NO.				
DRAFT WHERE APPLICABLE MUST REMAIN WITHIN DIMENSIONS				SEE CHART		SD-53916-002								3 OF 4				
THIS DRAWING CONTAINS INFORMATION THAT IS PROPRIETARY TO MOLEX INCORPORATED AND SHOULD NOT BE USED WITHOUT WRITTEN PERMISSION										SIZE		A3						

10 9 8 7 6 5 4 3 2 1

F

E

D

C

B

A

F

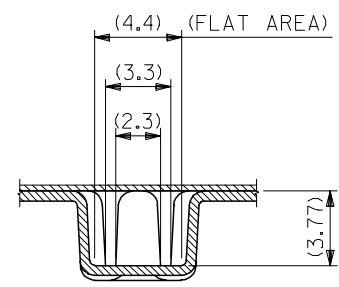
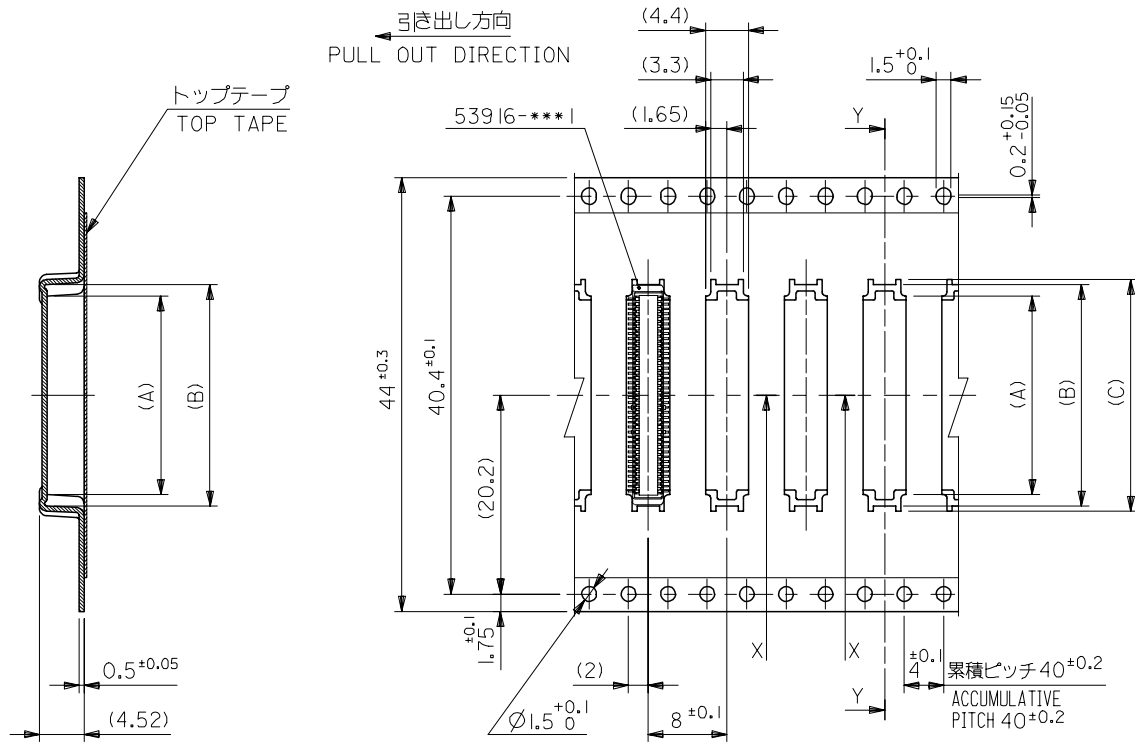
E

D

C

B

A



SECT:Y-Y

44mm幅キャリアテープ
44mm WIDTH CARRIER TAPE

REVISED		53916-***8 MODEL NO.		44	49.4	45.4	23.5	22.5	20.17	53916-0808	80	
EC NO: J2006-0604		GENERAL TOLERANCES (UNLESS SPECIFIED)		キャリアテープ幅 CARRIER TAPE WIDTH		E	D	(C)	(B)	(A)	MATERIAL NO.	極数 CIRCUIT
DRWN:NAIDA 2005/08/31		DIMENSION STYLE		SCALE		DESIGN UNITS		THIRD ANGLE PROJECTION				
CHKD:KTOYODA 2005/09/01		10 UNDER ± ---		MM ONLY		METRIC		0.5 B/B CONN PLUG ASSY EMBSTP PKG -LEAD FREE-				
APPR:NUKITA 2005/09/09		10 OVER 30 UNDER ± ---		DRAWN BY DATE		TITLE		MOLEX INCORPORATED				
REV G		30 OVER ± ---		S. AIHARA '98/10/23		M. FUKUSHIMA '01/01/26		SD-53916-002				
DESCRIPTION		ANGULAR ± --- °		CHECKED BY DATE		MATERIAL NO.		DOCUMENT NO.		SHEET NO.		
		DRAFT WHERE APPLICABLE MUST REMAIN WITHIN DIMENSIONS		T. ITO '01/01/26		SEE CHART		SD-53916-002		4 OF 4		
				APPROVED BY DATE		SIZE		THIS DRAWING CONTAINS INFORMATION THAT IS PROPRIETARY TO MOLEX INCORPORATED AND SHOULD NOT BE USED WITHOUT WRITTEN PERMISSION				
				M. FUKUSHIMA '01/01/26		A3						



Компания «ЭлектроПласт» предлагает заключение долгосрочных отношений при поставках импортных электронных компонентов на взаимовыгодных условиях!

Наши преимущества:

- Оперативные поставки широкого спектра электронных компонентов отечественного и импортного производства напрямую от производителей и с крупнейших мировых складов;
- Поставка более 17-ти миллионов наименований электронных компонентов;
- Поставка сложных, дефицитных, либо снятых с производства позиций;
- Оперативные сроки поставки под заказ (от 5 рабочих дней);
- Экспресс доставка в любую точку России;
- Техническая поддержка проекта, помощь в подборе аналогов, поставка прототипов;
- Система менеджмента качества сертифицирована по Международному стандарту ISO 9001;
- Лицензия ФСБ на осуществление работ с использованием сведений, составляющих государственную тайну;
- Поставка специализированных компонентов (Xilinx, Altera, Analog Devices, Intersil, Interpoint, Microsemi, Aeroflex, Peregrine, Syfer, Eurofarad, Texas Instrument, Miteq, Cobham, E2V, MA-COM, Hittite, Mini-Circuits, General Dynamics и др.);

Помимо этого, одним из направлений компании «ЭлектроПласт» является направление «Источники питания». Мы предлагаем Вам помощь Конструкторского отдела:

- Подбор оптимального решения, техническое обоснование при выборе компонента;
- Подбор аналогов;
- Консультации по применению компонента;
- Поставка образцов и прототипов;
- Техническая поддержка проекта;
- Защита от снятия компонента с производства.



Как с нами связаться

Телефон: 8 (812) 309 58 32 (многоканальный)

Факс: 8 (812) 320-02-42

Электронная почта: org@eplast1.ru

Адрес: 198099, г. Санкт-Петербург, ул. Калинина, дом 2, корпус 4, литера А.