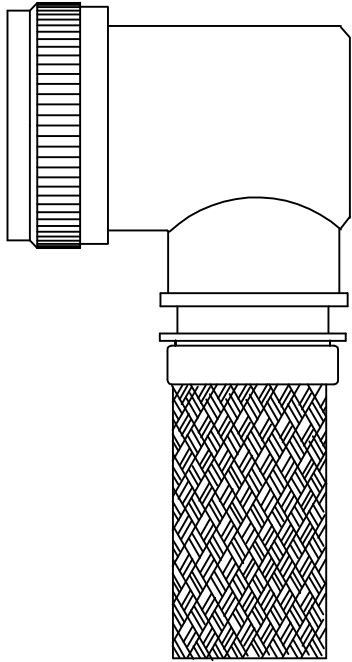


TE CONNECTIVITY (TE) RESERVES THE RIGHT TO CHANGE THIS DRAWING AT ANYTIME. USERS SHOULD EVALUATE THE SUITABILITY OF THE PRODUCT FOR THEIR APPLICATION.

REVISION			
LTR	DESCRIPTION	DATE	APPROVED
M	REVISED PER ECO-15-003780	03/16/2015	I. MYONG



CODE 41 – 90° SHIELDED ADAPTER

NOTES:

1. THIS PRODUCT IS DESIGNED TO TERMINATE A HEAT SHRINKABLE LIPPED BOOT TO A CONNECTOR.
2. FOR ADDITIONAL DIMENSIONS, ORDERING INFORMATION AND MODIFICATIONS, SEE CH00-0250-004.
3. ADAPTER TO BE PERMANENTLY MARKED WITH CODE IDENT. NO. AND PART NO. (e.g., 06090-204M212-19B08 YYWW).
- ④ FOR LARGER ENTRY SIZES, A 2 PIECE ADAPTER (TYPE II) IS SUPPLIED.
- ⑤ BRAID TERMINATION RING MAY BE SUPPLIED AS TINEL-LOCK SHAPE MEMORY RING AT MANUFACTURER'S OPTION.
- ⑥ ADAPTER MATES TO MIL-DTL-38999 SERIES I & II, CLASS E & T, MS27466, MS27467, MS27468, MS27472, MS27473, MS27474, MS27479, MS27480, MS27481, MS27484, MS27497, MS27652, MS27653, MS27654, MS27656 CONNECTORS.

If this document is printed it becomes uncontrolled. Check for the latest revision

©2015 TE CONNECTIVITY LTD. FAMILY OF COMPANIES. ALL RIGHTS RESERVED
 TE CONNECTIVITY AND TE CONNECTIVITY (LOGO) ARE TRADEMARKS.
 OTHER LOGOS PRODUCT AND/OR COMPANY NAMES MAY BE TRADEMARKS OF THEIR RESPECTIVE OWNERS.

Raychem Adapters
 CUSTOMER DRAWING

UNLESS OTHERWISE SPECIFIED DIMENSIONS ARE IN INCHES. REFERENCE METRIC DIMENSIONS ARE IN BRACKETS [metric].	DRAWN: R. RAMIREZ	DATE: 03/19/1993		TE Connectivity			
	CHECKED:	DATE:					
DECIMALS TOLERANCES: XXX ± .005 [0.13mm] XX ± .01 [0.25mm] X ± .1 [0.50mm]	APPROVED: W. C. GAY	DATE: 05/19/1993	TITLE: ADAPTER, SHIELD, 90°, CODE 41				
ANGLES TOLERANCE: ± 1'	MATERIAL: SEE NOTES	FINISH: SEE NOTES					
SCALE: DO NOT SCALE THIS DRAWING	CAD FILE: 204M2XX.dwg	THIRD ANGLE PROJECTION:	SIZE: A	SHEET: 1 OF 3	CAGE CODE: 06090	DRAWING NO: 204M2XX	REV. M

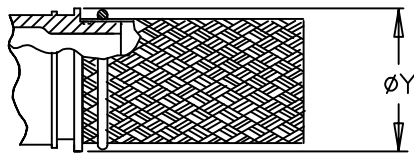
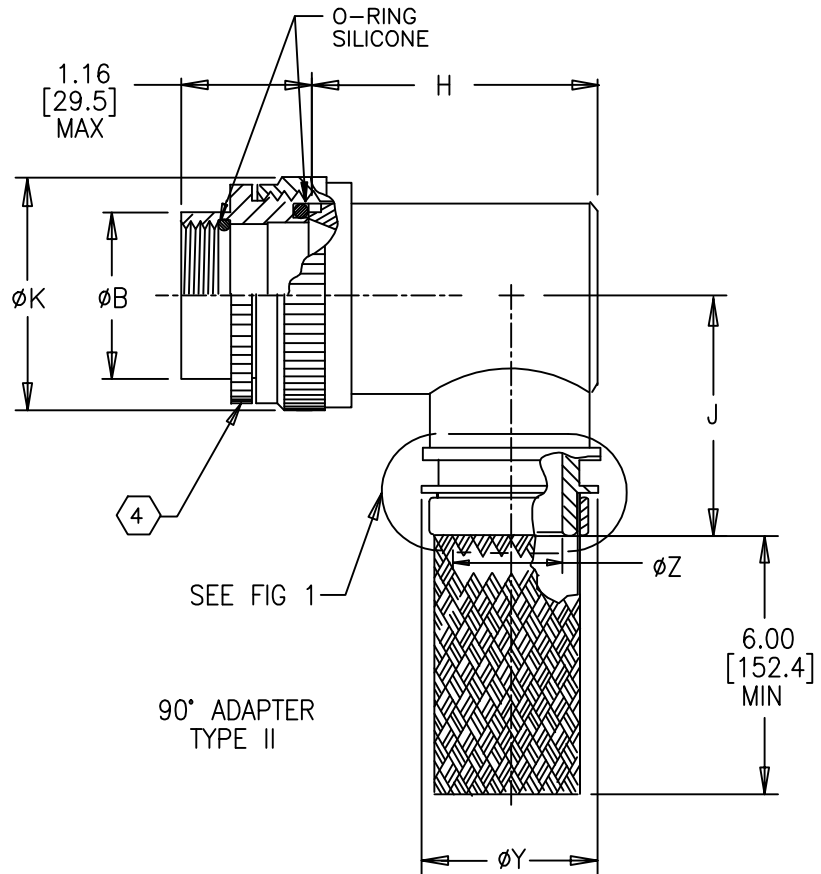
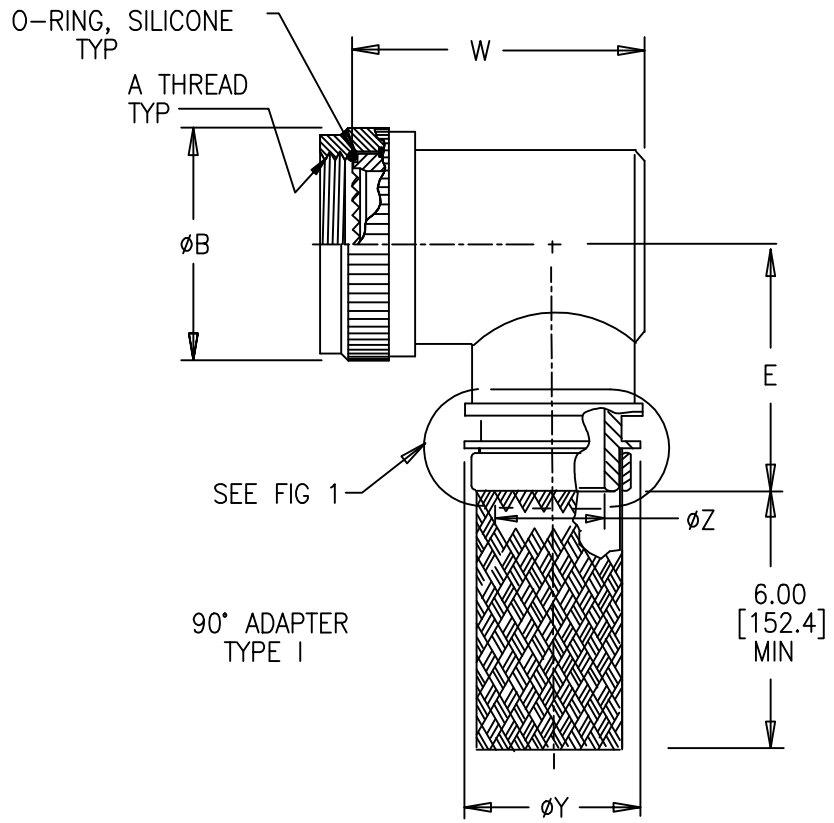


FIG 1 5

If this document is printed it becomes uncontrolled. Check for the latest revision

Raychem Adapters
CUSTOMER DRAWING

	DO NOT SCALE THIS DRAWING	SIZE	CAGE	SHEET	DWG. NO.	REV
		A	06090	2 OF 3	204M2XX	M

TABLE I

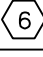

ORDER NO.	SHELL SIZE 		MAX ENTRY SIZE TYPE I 	A THREAD CLASS 2B	ØB MAX	E MAX	W MAX
	SER 1	SER 2					
08	9	8	04	.438-28 UNEF	.750 [19.1]	1.15 [29.2]	0.85 [21.6]
10	11	10	06	.562-24 UNEF	.850 [21.6]	1.21 [30.7]	0.97 [24.6]
12	13	12	08	.688-24 UNEF	1.000 [25.4]	1.28 [32.5]	1.10 [27.9]
14	15	14	10	.812-20 UNEF	1.100 [27.9]	1.34 [34.0]	1.22 [31.0]
16	17	16	12	.938-20 UNEF	1.250 [31.8]	1.40 [35.6]	1.35 [34.3]
18	19	18	13	1.062-18 UNEF	1.400 [35.6]	1.46 [37.1]	1.41 [35.8]
20	21	20	15	1.188-18 UNEF	1.500 [38.1]	1.53 [38.9]	1.53 [38.9]
22	23	22	16	1.312-18 UNEF	1.650 [41.9]	1.59 [40.4]	1.66 [42.2]
24	25	24	18	1.438-18 UNEF	1.750 [44.5]	1.65 [41.9]	1.78 [45.2]

TABLE II

ENTRY SIZE	ØK MAX	ØZ REF	ØY REF	J MAX	H MAX
03	NA	.188 [4.77]	.516 [13.10]	NA	NA
04	NA	.250 [6.35]	.516 [13.10]	NA	NA
05	.827 [21.0]	.312 [7.92]	.516 [13.10]	1.16 [29.5]	1.19 [30.2]
06	.827 [21.0]	.375 [9.52]	.705 [17.90]	1.16 [29.5]	1.19 [30.2]
07	.92 [23.4]	.438 [11.12]	.705 [17.90]	1.22 [31.0]	1.38 [35.1]
08	.965 [24.5]	.500 [12.70]	.705 [17.90]	1.22 [31.0]	1.38 [35.1]
09	1.18 [30.0]	.562 [14.27]	.705 [17.90]	1.35 [34.3]	1.51 [38.4]
10	1.18 [30.0]	.625 [15.87]	.953 [24.20]	1.35 [34.3]	1.51 [38.4]
11	1.18 [30.0]	.688 [17.47]	.953 [24.20]	1.40 [35.6]	1.63 [41.4]
12	1.35 [34.3]	.750 [19.05]	.953 [24.20]	1.40 [35.6]	1.63 [41.4]
13	1.41 [35.8]	.812 [20.62]	.953 [24.20]	1.46 [37.1]	1.78 [45.2]
14	1.41 [35.8]	.875 [22.23]	1.205 [30.60]	1.46 [37.1]	1.78 [45.2]
15	1.60 [40.6]	.938 [23.82]	1.205 [30.60]	1.53 [38.9]	1.88 [47.8]
16	1.60 [40.6]	1.000 [25.40]	1.205 [30.60]	1.53 [38.9]	1.88 [47.8]
18	1.66 [42.2]	1.126 [28.60]	1.307 [32.20]	1.59 [40.4]	2.01 [51.1]
20	2.04 [51.8]	1.252 [31.80]	1.654 [42.00]	1.78 [45.2]	2.13 [54.1]
22	2.23 [56.6]	1.378 [35.00]	1.654 [42.00]	1.85 [47.0]	2.29 [58.2]
24	2.23 [56.6]	1.500 [38.10]	1.654 [42.00]	1.92 [48.8]	2.42 [61.5]
28	2.48 [63.0]	1.750 [44.45]	1.929 [49.00]	2.17 [55.1]	2.67 [67.8]

If this document is printed it becomes uncontrolled. Check for the latest revision

Raychem Adapters
CUSTOMER DRAWINGDO NOT
SCALE THIS
DRAWINGSIZE
ACAGE
06090SHEET
3 OF 3

DWG. NO.

204M2XX

REV
M



Компания «ЭлектроПласт» предлагает заключение долгосрочных отношений при поставках импортных электронных компонентов на взаимовыгодных условиях!

Наши преимущества:

- Оперативные поставки широкого спектра электронных компонентов отечественного и импортного производства напрямую от производителей и с крупнейших мировых складов;
- Поставка более 17-ти миллионов наименований электронных компонентов;
- Поставка сложных, дефицитных, либо снятых с производства позиций;
- Оперативные сроки поставки под заказ (от 5 рабочих дней);
- Экспресс доставка в любую точку России;
- Техническая поддержка проекта, помощь в подборе аналогов, поставка прототипов;
- Система менеджмента качества сертифицирована по Международному стандарту ISO 9001;
- Лицензия ФСБ на осуществление работ с использованием сведений, составляющих государственную тайну;
- Поставка специализированных компонентов (Xilinx, Altera, Analog Devices, Intersil, Interpoint, Microsemi, Aeroflex, Peregrine, Syfer, Eurofarad, Texas Instrument, Miteq, Cobham, E2V, MA-COM, Hittite, Mini-Circuits, General Dynamics и др.);

Помимо этого, одним из направлений компании «ЭлектроПласт» является направление «Источники питания». Мы предлагаем Вам помощь Конструкторского отдела:

- Подбор оптимального решения, техническое обоснование при выборе компонента;
- Подбор аналогов;
- Консультации по применению компонента;
- Поставка образцов и прототипов;
- Техническая поддержка проекта;
- Защита от снятия компонента с производства.



Как с нами связаться

Телефон: 8 (812) 309 58 32 (многоканальный)

Факс: 8 (812) 320-02-42

Электронная почта: org@eplast1.ru

Адрес: 198099, г. Санкт-Петербург, ул. Калинина, дом 2, корпус 4, литера А.